

REFERENCE

SUBWOOFERS

OWNER'S MANUAL



REFERENCE SERIES



IMPORTANT SAFETY INSTRUCTIONS

1. READ these instructions.
2. KEEP these instructions.
3. HEED all warnings.
4. FOLLOW all instructions.
5. DO NOT use this apparatus near water.
6. CLEAN ONLY with dry cloth.
7. DO NOT block any ventilation openings. Install in accordance with the manufacturer's instructions.
8. DO NOT install near any heat sources such as radiators, heat registers, stoves, or other apparatus (including amplifiers) that produce heat.
9. DO NOT defeat the safety purpose of the polarized or grounding type plug. A polarized plug has two blades with one wider than the other. A grounding type plug has two blades and a third grounding prong. The wider blade or the third prong are provided for your safety. If the provided plug does not fit into your outlet, consult an electrician for replacement of the obsolete outlet.
10. PROTECT the power cord from being walked on or pinched, particularly at plugs, convenience receptacles, and the point where they exit from the apparatus.
11. ONLY USE attachments/accessories specified by the manufacturer.
12. USE only with a cart, stand, tripod, bracket, or table specified by the manufacturer, or sold with the apparatus. When a cart is used, use caution when moving the cart/apparatus combination to avoid injury from tip-over.
13. UNPLUG this apparatus during lightning storms or when unused for long periods of time.
14. REFER all servicing to qualified service personnel. Servicing is required when the apparatus has been damaged in any way, such as power-supply cord or plug is damaged, liquid has been spilled or objects have fallen into the apparatus, the apparatus has been exposed to rain or moisture, does not operate normally, or has been dropped.



This symbol indicates that there are important operating and maintenance instructions in the literature accompanying this unit.



This symbol indicates that dangerous voltage constituting a risk of electric shock is present within this unit.

WARNING: To reduce the risk of fire or electrical shock, do not expose this apparatus to rain or moisture.



WARNING: Voltages in this equipment are hazardous to life. No user-serviceable parts inside. Refer all servicing to qualified service personnel.

CAUTION: Changes or modifications not expressly approved by the manufacturer could void the user's authority to operate this device.

ABOUT YOUR KLIPSCH PURCHASE

Thank you for your purchase of a Klipsch subwoofer. After reading this manual and connecting your system, you will hear the result of over 55 years of stringent engineering and class-leading research and development. Please be sure to fill out the warranty card at the back of this manual or online at www.klipsch.com so we are better able to serve you. Again, thank you for choosing Klipsch and we hope that your subwoofer brings life to your music and movies for many years.

PLACEMENT

Although your Reference Series subwoofer will perform well in a wide variety of locations, you will get the most out of it by following some simple guidelines:

- Although the subwoofer's orientation is not critical, avoid placing the front (driver) side of the cabinet up against a wall.
- The subwoofer's output will increase as it is moved closer to walls, with maximum output achieved when it is placed in a corner. If practical, always place the subwoofer against or near a wall.
- In most rooms, a subwoofer will deliver smoothest bass response when placed in a corner away from room openings, such as doors.
- If you are using more than one subwoofer, you will usually achieve the best performance by placing them together in the same area rather than by spacing them apart.

CONNECTION AND ADJUSTMENT

Make all connections with the power turned off on your subwoofer and main amplifier. Your subwoofer has three sets of input connections on its back panel: (1) a single LFE-Direct RCA jack that bypasses the internal crossover; (2) a pair of RCA jacks for line-level stereo (or mono) input; and (3) a set of terminals for connection to speaker outputs on a receiver or amplifier. In addition, there are four controls on the back panel: (1) Main Power; (2) Auto Power On/Off; (3) Phase; and (4) Lowpass Crossover Frequency. The Volume Level control is located on the upper right side panel of the subwoofer.

Digital Surround Receiver or Processor

Connection — Today's Dolby Digital® (AC-3) and DTS® digital surround receivers and processors have line-level subwoofer outputs and built-in subwoofer crossovers. If your system is built around one of these, it will almost always be best to connect the subwoofer output on the receiver or processor to the subwoofer's LFE Direct input (See Figure 1). This will bypass the subwoofer's internal crossover and should only be done if these can be managed internally in the receiver. Use a shielded, high quality subwoofer interconnect cable of appropriate length with RCA plugs on each end. Your dealer can help you select a suitable cable. Be sure to go into your receiver or processor's speaker setup menu and set Subwoofer to "On" or "Yes." Your receiver or processor may have additional bass management abilities beyond simply activating the subwoofer output. Consult your receiver or processor's owner's manual or your dealer for more information on the proper bass management settings for your system.

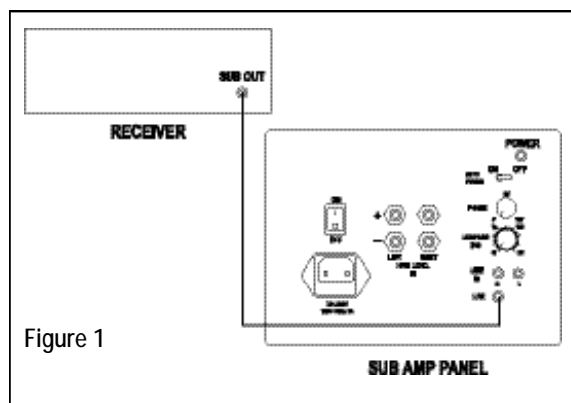


Figure 1

Power — Set the subwoofer's Main Power switch to "Off." Then plug the power cord into an AC outlet. You can turn the power on and off manually using the switch, or you can leave the Main Power turned on and set the Auto Power switch to "On," which will automatically turn the subwoofer on when a signal is detected at one of the inputs and off after a period of inactivity. We recommend Auto Power "On" for most systems.

Crossover Adjustment — Using the LFE Direct input bypasses the Crossover Frequency control on the back panel. Your receiver or processor will handle the crossover function. Most use a single, set frequency between 80Hz and 100Hz. If your receiver or processor gives you a choice of crossover frequencies, 80Hz is usually a good starting point. Refer to the adjustment section for more information. In that case, start with the frequency that comes closest to matching the specified low-frequency limit of the smallest speakers in the system. After completing the other adjustments, you may want to experiment with moving the frequency up and down a little, to see if a different setting works slightly better. If the crossover frequency is set higher than 100Hz, the subwoofer should be in the front of the room near the front main speakers.

Volume Control — Adjust the subwoofer's Level to get a smooth transition between its output and that of the main speakers. Your receiver or processor will have a subwoofer level control in its speaker setup menu, so you will have to go back and forth a bit between it and the Level control on the subwoofer itself. In the end, you should wind up with the menu control somewhere in the middle of its range. Strive for bass that is solid but not overblown or boomy.

Phase Control — In some installations the setting of the Phase Control may not make much difference, whereas in others it may be necessary to go back and forth between the Phase and the Level controls for a while in order to get the very best blend with the main speakers. Since each control setting (including the one for crossover frequency in the receiver or processor) affects the optimum settings for the others, it often takes a while to get everything dialed in just right. Start with the phase knob at 0° and play a recording with a prominent, repeating bass line in your listening position. Repeat this process with the control in the 90° and 180° positions. Use the setting that yields the greatest bass output.

Analog Surround Receiver / Processor or Two-Channel Stereo System

Connection — Some analog A/V receivers and processors (without Dolby Digital® or DTS® capability) have a line-level subwoofer output. Others have left- and right-channel line-level outputs, as do some stereo receivers and integrated amplifiers. All separate stereo preamps and

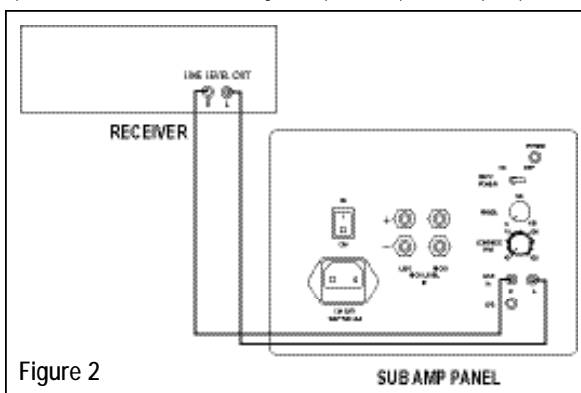


Figure 2

surround processors have line-level outputs. These outputs can be connected to your subwoofer's main line-level inputs (See Figure 2). You will need one or two shielded, high quality interconnect cables of appropriate length with RCA plugs on each end. Your dealer can help you select suitable cables. If your system does not provide any of these outputs, you will need to connect the subwoofer's Speaker Level inputs to your receiver or integrated amplifier's speaker outputs (See Figure 3).

- **Subwoofer Output** — Connect the subwoofer output jack to one of the line-level input jacks on the subwoofer. Do not use the LFE Direct input.
- **Preamp Outputs on Receiver or Integrated Amplifier** — If your receiver or integrated amplifier has spare preamplifier outputs for its front left and right channels, connect these to the line-level input jacks on the subwoofer.
- **Pre-out/Main-in Loops on Receiver or Integrated Amplifier** — Some receivers and integrated amplifiers have their preamplifier and power amplifier stages connected externally via jumpers. If yours has its left and right front channels connected this way, you can connect your subwoofer to those preamp outputs. You will need a pair of Y-adaptors, each with two male RCA plugs and one female RCA jack. Remove the jumpers for the two channels. For each, plug one leg of a Y-adaptor into the preamp output jack and another into the main amp input jack. Plug the cables leading to the subwoofer into the female ends of the Y-adaptors.

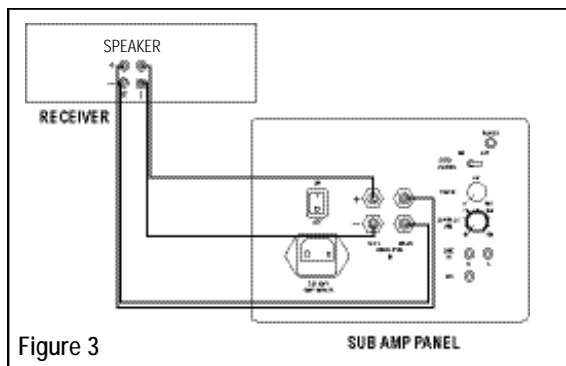


Figure 3

- **Separate Preamplifier or Surround Processor** — You will need a pair of Y-adaptors, each with one male RCA plug and two female RCA jacks. Unplug the cables leading from the front left- and right-channel outputs on the preamp or processor and plug the Y-adaptors into them. For each channel, plug the cable leading to the power amplifier into one of the RCA jacks on the Y-adaptor and the cable leading to the subwoofer into the other.
- **Speaker Outputs** — Connect the subwoofer's Speaker Level inputs to the same outputs on your receiver or integrated amplifier as your front left and right speakers. This involves running a second set of wires from the left and right speaker outputs to the subwoofer. Maintain correct polarity, with positive (+, red) outputs connected to the positive inputs and negative (-, black) outputs connected to the negative inputs. Make sure that there is no metal-to-metal contact between the positive and negative sides of either connection at either end. Failure to observe this precaution can result in amplifier malfunction or damage. The subwoofer can be connected to a secondary or "B" main channel output of your amplifier if the volume of your main speakers is unaffected when both outputs are selected.

Power — Set the subwoofer's Main Power switch to "Off." Then plug the power cord into an AC outlet. You can turn the power on and off manually using the switch, or you can leave the Main Power turned on and set the Auto Power switch to "On," which will automatically turn the subwoofer on when a signal is detected at one of the inputs and off after a period of inactivity. We recommend Auto Power "On" for most systems.

Adjustment — Start by setting the Crossover Frequency control to the approximate low-frequency limit of your main left and right front speakers. If you don't have their specifications, take an educated guess based on the size of the speakers. A large speaker will usually work down to lower frequencies than a small speaker. So for a large floorstanding loudspeaker, you might start with the Crossover Frequency set all the way down to 40Hz, whereas for very small satellite speakers you might want to turn it all the way up to 120Hz. Typical bookshelf speakers would tend to be in the 50Hz to 80Hz range. If the crossover frequency is set higher than 100Hz, the subwoofer should be in the front of the room near the front main speakers.

Play a variety of music recordings containing strong but not overpowering bass. Adjust the subwoofer's Level control until the music sounds consistently warm and natural. If you have trouble getting enough low bass without the sound becoming boomy, it probably means the Crossover Frequency is set too high. Try turning it down a bit at a time until the problem goes away. If the sound is thin until you turn the subwoofer Level up so much that the lower bass is too prominent, start by varying the setting of the Phase control. If that does not entirely solve the problem, you probably need to raise the Crossover Frequency.

General Comment About Adjustments: Since any change in the setting of one control tends to change the optimum settings for the others to some degree, the adjustment process is very interactive and involves a great deal of trial and error. If after a period of listening and calibration you're still not happy, it may mean that you need to experiment a little with the location of the subwoofer. That, of course, also interacts with everything else. Again, patience is a virtue. The end result will be well worth the effort.

CARE AND CLEANING

The only thing you should ever need to do to your subwoofer is to dust it occasionally. Never apply any abrasive or solvent-based cleaner or any harsh detergent. You can clean the grille with the brush attachment of a vacuum cleaner.

REFERENCE SERIES



CERTIFICATIONS

Complies with UL6500 and CAN/CSA E60065; Approved under the verification provision of FCC Part 15 as a Class B Digital Device. This Class B digital apparatus complies with Canadian ICES-003. Eligible to bear the CE mark, Conforms to European Union Low Voltage Directive 73/23/EEC; Conforms to European Union EMC Directive 89/336/EEC.

This device complies with Part 15 of the FCC Rules. Operation is subject to the following two conditions: (1) this device may not cause harmful interference, and (2) this device must accept any interference received, including interference that may cause undesired operation.

NOTE: This equipment has been tested and found to comply with the limits for a Class B digital device, pursuant to part 15 of the FCC Rules. These limits are designed to provide reasonable protection against harmful interference in a residential installation. This equipment generates, uses and can radiate radio frequency energy and, if not installed and used in accordance with the instructions, may cause harmful interference to radio communications. However, there is no guarantee that interference will not occur in a particular installation. If this equipment does cause harmful interference to radio or television reception, which can be determined by turning the equipment off and on, the user is encouraged to try to correct the interference by one or more of the following measures:

- Reorient or relocate the receiving antenna.
- Increase the separation between the equipment and receiver.
- Connect the equipment into an outlet on a circuit different from that to which the receiver is connected.
- Consult the dealer or an experienced radio/TV technician for help.

WARRANTY — U.S. AND CANADA ONLY

The Warranty below is valid only for sales to consumers in the United States or Canada. KLIPSCH, L.L.C. ("KLIPSCH") warrants this product to be free from defects in materials and workmanship (subject to the terms set forth below) for a period of five (5) years from the date of purchase. During the Warranty period, KLIPSCH will repair or replace (at KLIPSCH's option) this product or any defective parts (excluding electronics and amplifiers). For products that have electronics or amplifiers, the Warranty on those parts is for a period of two (2) years from the date of purchase.

To obtain Warranty service, please contact the KLIPSCH authorized dealer from which you purchased this product. If your dealer is not equipped to perform the repair of your KLIPSCH product, it can be returned, freight paid, to KLIPSCH for repair. Please call KLIPSCH at 1-800-KLIPSCH for instructions. You will need to ship this product in either its original packaging or packaging affording an equal degree of protection.

Proof of purchase in the form of a bill of sale or receipted invoice, which is evidence that this product is within the Warranty period, must be presented or included to obtain Warranty service.

This Warranty is invalid if (a) the factory-applied serial number has been altered or removed from this product or (b) this product was not purchased from a KLIPSCH authorized dealer. You may call 1-800-KLIPSCH to confirm that you have an unaltered serial number and/or you purchased from a KLIPSCH authorized dealer.

This Warranty is only valid for the original purchaser and will automatically terminate prior to expiration if this product is sold or otherwise transferred to another party.

This Warranty does not cover cosmetic damage or damage due to misuse, abuse, negligence, acts of God, accident, commercial use or modification of, or to any part of, the product. This Warranty does not cover damage due to improper operation, maintenance or installation, or attempted repair by anyone other than KLIPSCH or a KLIPSCH dealer which is authorized to do KLIPSCH warranty work. Any unauthorized repairs will void this Warranty. This Warranty does not cover product sold AS IS or WITH ALL FAULTS.

REPAIRS OR REPLACEMENTS AS PROVIDED UNDER THIS WARRANTY ARE THE EXCLUSIVE REMEDY OF THE CONSUMER. KLIPSCH SHALL NOT BE LIABLE FOR ANY INCIDENTAL OR CONSEQUENTIAL DAMAGES FOR BREACH OF ANY EXPRESS OR IMPLIED WARRANTY ON THIS PRODUCT. EXCEPT TO THE EXTENT PROHIBITED BY LAW, THIS WARRANTY IS EXCLUSIVE AND IN LIEU OF ALL OTHER EXPRESS AND IMPLIED WARRANTIES WHATSOEVER, INCLUDING BUT NOT LIMITED TO, THE WARRANTY OF MERCHANTABILITY AND FITNESS FOR A PRACTICAL PURPOSE.

Some states do not allow the exclusion or limitation of incidental or consequential damages or implied warranties so the above exclusions may not apply to you. This Warranty gives you specific legal rights, and you may have other rights, which vary from state to state.

WARRANTY OUTSIDE THE UNITED STATES AND CANADA

The Warranty on this product if it is sold to a consumer outside of the United States or Canada shall comply with applicable law and shall be the sole responsibility of the distributor that supplied this product. To obtain any applicable warranty service, please contact the dealer from which you purchased this product, or the distributor that supplied this product.



IMPORTANTES CONSIGNES DE SÉCURITÉ

1. LIRE ces instructions.
2. CONSERVER ces instructions.
3. RESPECTER tous les avertissements.
4. SUIVRE toutes les instructions.
5. NE PAS utiliser cet appareil à proximité de l'eau.
6. NETTOYER UNIQUEMENT avec un chiffon sec.
7. NE PAS OBSTRUER les ouies de ventilation. Installer conformément aux instructions du constructeur.
8. Ne pas installer à proximité de sources de chaleur telles que les radiateurs, les grilles de chauffage, les cuisinières et les autres appareils (notamment les amplificateurs) dégageant de la chaleur.
9. NE PAS neutraliser le dispositif de sécurité que constitue la fiche polarisée ou à broche de terre. Une fiche polarisée a une lame plus large que l'autre. Une fiche à broche de terre est munie de deux lames et d'une troisième broche pour la terre. La lame large et la troisième broche sont prévues pour la sécurité de l'utilisateur. Si la fiche fournie ne rentre pas dans votre prise de courant, demander à un électricien de remplacer cette prise d'un type ancien.
10. PROTÉGER le cordon d'alimentation en s'assurant qu'il ne risque pas d'être piétiné ou écrasé, en particulier près des fiches, des blocs multiprises et de son point de sortie de l'appareil.
11. UTILISER UNIQUEMENT les accessoires préconisés par le constructeur.
12. UTILISER exclusivement avec un chariot, un support, un trépied, une console ou un bâti recommandé par le fabricant ou vendu avec l'appareil. Lorsqu'un chariot est utilisé, faire preuve de prudence pour déplacer l'ensemble chariot/appareil afin d'éviter un renversement pouvant causer des blessures.
13. DÉBRANCHER cet appareil en cas d'orage ou lorsqu'il reste inutilisé pendant une longue durée.
14. CONFIER tout travail de dépannage à un réparateur professionnel compétent. En cas de dommages, il faut faire réparer l'appareil, par exemple si la fiche ou le cordon d'alimentation a été endommagé, si un liquide a été renversé ou si un objet a pénétré à l'intérieur de l'appareil, si l'appareil a été exposé à la pluie ou à l'humidité, s'il ne fonctionne pas normalement ou s'il a subi une chute.



Ce symbole indique d'importantes instructions d'utilisation et d'entretien dans l'accompagnement cet appareil.



Ce symbole indique qu'une tension dangereuse présentant un risque d'électrocution est présente dans l'appareil.

AVERTISSEMENT: Pour réduire les risques d'incendie et d'électrocution, ne pas exposer cet appareil à la pluie ni à l'humidité.



AVERTISSEMENT: Les tensions présentes dans cet appareil peuvent être mortelles. Cet appareil ne contient pas de pièces pouvant être remplacées par l'utilisateur. Tout travail de dépannage doit être confié à un réparateur professionnel compétent.

ATTENTION: Les changements ou modifications non expressément approuvés par le fabricant pourraient annuler le droit de l'utilisateur à utiliser cet appareil.

À PROPOS DE VOTRE ACHAT DE PRODUIT KLIPSCH

Merci d'avoir acheté un caisson de graves Klipsch. Lorsque vous aurez lu ce manuel et raccordé le système, vous bénéficierez des résultats de plus de 55 ans d'études techniques rigoureuses et d'un plan supérieur de recherche et développement. Pour que nous puissions mieux vous servir, n'oubliez pas de remplir la fiche de garantie que vous trouverez à la fin de ce manuel ou en ligne sur www.klipsch.com. Encore une fois, merci d'avoir choisi Klipsch. Nous espérons que votre caisson de graves sera le compagnon de vos films et votre musique pendant de nombreuses années.

PLACEMENT

Le caisson de graves de la gamme Reference offre de bonnes performances dans de nombreuses et diverses positions. Toutefois, vous en tirerez le meilleur en suivant ces directives simples :

- Bien que l'orientation du caisson de graves ne joue pas un rôle essentiel, évitez de placer l'avant (haut-parleur) de l'enceinte contre un mur.
- La puissance émise par le caisson de graves augmente lorsqu'on le rapproche d'un mur et atteint son maximum lorsqu'on le met dans un coin. Dans la mesure du possible, mettez le caisson de graves contre ou près d'un mur.
- Dans la plupart des pièces, la restitution des graves par un caisson est la plus agréable lorsque celui-ci est placé dans un coin à une distance suffisante des portes et autres ouvertures.
- Lorsque plusieurs caissons de graves sont utilisés, les meilleures performances sont en général obtenues en les mettant ensemble dans la même partie de la pièce, sans les écarter.

RACCORDEMENT ET RÉGLAGE

Réalisez tous les raccordements avec l'alimentation coupée sur le caisson de graves et l'amplificateur principal. Le caisson de graves permet trois types de connexions en face arrière : (1) une prise simple RCA directe LFE contournant le filtre passif interne, (2) une paire de prises RCA pour l'entrée stéréo (ou mono) de niveau ligne et (3) un jeu de bornes de raccordement aux sorties haut-parleur d'un récepteur ou d'un amplificateur. En outre, la face arrière comprend quatre commandes : (1) Alimentation principale, (2) Mise sous/hors tension automatique, (3) Phase, (4) Fréquence de coupure de filtre passe-bas. La commande de volume se trouve sur le panneau supérieur latéral droit du caisson de graves.

Raccordement à un processeur ou récepteur ambiophonique numérique —

Aujourd'hui, les processeurs et récepteurs ambiophoniques numériques Dolby Digital® (AC-3) et DTS® offrent des sorties de caissons de graves de niveau ligne et des filtres passifs intégrés pour caissons de graves. Si votre système est articulé autour d'un tel appareil, il sera presque toujours préférable de raccorder la sortie caisson de graves du récepteur ou du processeur à l'entrée directe LFE (voir la figure 1). Le filtre passif interne du caisson de graves sera ainsi contourné. Un tel raccordement ne doit être réalisé que si cela est compatible avec le fonctionnement interne du récepteur. Utilisez un câble blindé de raccordement de caisson de graves de haute qualité et de longueur suffisante, muni de fiches RCA à chaque extrémité. Votre revendeur peut vous aider à choisir un câble adéquat. Dans le récepteur ou le processeur, n'oubliez pas de régler le paramètre « Subwoofer » sur « On » ou « Yes » à l'aide du menu de configuration des enceintes. Outre la simple activation de la sortie caisson de graves, certains récepteurs et processeurs comportent des possibilités supplémentaires de gestion des graves. Pour obtenir plus de renseignements sur la façon de bien régler les paramètres de gestion des graves pour votre système, consultez le manuel d'utilisation de votre récepteur ou de votre processeur, ou bien adressez-vous à votre revendeur.

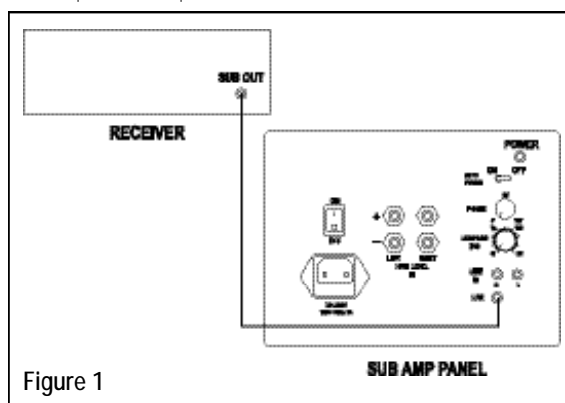


Figure 1

Alimentation — Mettez l'interrupteur principal d'alimentation du caisson de graves sur « Off ». Puis branchez le cordon d'alimentation dans une prise de courant. Vous pouvez soit mettre manuellement sous tension et hors tension à l'aide de l'interrupteur principal d'alimentation,



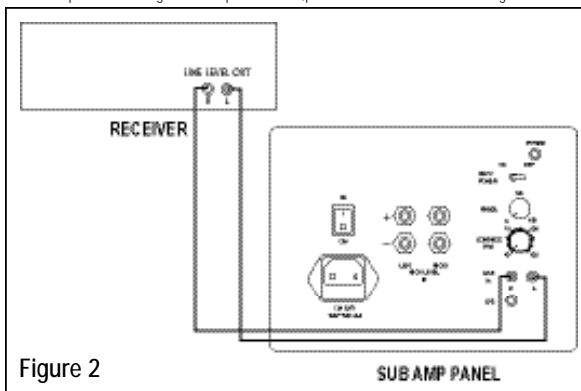
soit laisser celui-ci en position de marche et mettre l'interrupteur d'alimentation automatique en position « On », ce qui permet la mise sous tension automatique du caisson de graves lorsqu'un signal est détecté sur l'une des entrées et la mise hors tension automatique après un certain temps d'inactivité. Pour la plupart des systèmes, il est conseillé d'utiliser le réglage « On » pour l'alimentation automatique.

Réglage du filtre passif — Si l'entrée directe LFE est utilisée, le réglage de la fréquence de coupure est contourné en face arrière. Le récepteur ou le processeur assure la fonction de filtrage passif. En général, une fréquence unique réglée entre 80Hz et 100Hz est utilisée. Si votre récepteur ou votre processeur permet de choisir la fréquence de coupure, il est conseillé de commencer par 80Hz. Consultez la section relative au réglage pour plus de renseignements. Dans un tel cas, commencez par la fréquence s'approchant le plus de la limite inférieure de fréquence spécifiée pour les plus petites enceintes du système. Une fois les autres réglages terminés, vous pouvez essayer d'augmenter et de diminuer légèrement la fréquence pour déterminer si un autre réglage donne de meilleurs résultats. Si la fréquence de coupure est réglée à une valeur supérieure à 100Hz, il faut mettre le caisson de graves à l'avant de la pièce et à proximité des enceintes principales.

Réglage du volume — Réglez le niveau du caisson de graves de façon à obtenir une transition agréable entre sa sortie et celle des enceintes principales. Votre récepteur ou votre processeur possède une commande de niveau de caisson de graves dans son menu de configuration des enceintes. Il est donc inutile d'aller et venir petit à petit entre cet appareil et la commande de niveau du caisson de graves lui-même. Au bout du compte, la commande du menu doit être à peu près au milieu de sa plage de réglage. Essayez d'obtenir des sonorités graves puissantes sans qu'elles soient explosives ou cavernueuses.

Réglage de phase — Dans certaines installations, le réglage de phase peut ne pas jouer un rôle important, tandis que dans d'autres, il peut être nécessaire d'aller et venir un certain temps entre le réglage de phase et celui du volume pour obtenir la meilleure des combinaisons avec les enceintes principales. Étant donné que chaque réglage (y compris celui de la fréquence de coupure dans le récepteur ou le processeur) affecte l'optimisation des autres paramètres, le bon réglage de l'ensemble peut prendre un certain temps. Commencez par mettre le bouton de phase sur 0° et écoutez de la position normale d'écoute un enregistrement avec un contenu grave prédominant et répétitif. Recommencez en réglant la phase à 90° puis à 180°. Utilisez le réglage offrant le niveau de graves le plus élevé.

Raccordement à un processeur ou récepteur ambiophonique analogique, ou à un système stéréo à deux canaux — Certains récepteurs et processeurs audiovisuels (sans fonction Dolby Digital® ni DTS®) possèdent une sortie caisson de graves de niveau ligne. D'autres, ainsi que certains amplificateurs intégrés et récepteurs stéréo, possèdent des sorties de canaux gauche et droit



de niveau ligne. Tous les processeurs ambiophoniques et préamplificateurs stéréo indépendants possèdent des sorties de niveau ligne. Ces sorties peuvent être raccordées aux entrées principales de niveau ligne du caisson de graves (Voir la figure 2). Utilisez un ou deux câbles blindés de raccordement de haute qualité et de longueur suffisante, munis de fiches RCA à chaque extrémité. Votre revendeur peut vous aider à choisir des câbles adéquats. Si votre système n'offre aucun de ces types de sorties, vous devez raccorder les entrées de niveau ligne du caisson de graves aux sorties haut-parleur de l'amplificateur intégré ou du récepteur (Voir la figure 3).

- **Sortie caisson de graves** — Raccordez la sortie du caisson de graves à l'une des entrées de niveau ligne du caisson de graves. N'utilisez pas l'entrée directe LFE.
- **Sorties préamplificateur d'amplificateur intégré ou de récepteur** — Si votre amplificateur intégré ou récepteur possède des sorties préamplificateur disponibles pour les canaux avant gauche et droit, raccordez-les aux entrées de niveau ligne du caisson de graves.
- **Boucles « sortie préampli/entrée ampli principal » sur amplificateur intégré ou récepteur** — Sur certains amplificateurs intégrés et récepteurs, les étages de préamplification et d'amplification de puissance sont reliés par des cavaliers externes. Si les canaux avant gauche et droit sont raccordés de cette façon, vous pouvez raccorder le caisson de graves à ces sorties de préamplificateur. Utilisez pour cela une paire d'adaptateurs en Y, possédant chacun deux fiches RCA mâles et une prise RCA femelle. Sur les deux canaux, retirez les cavaliers. Pour chaque canal, raccordez une branche de l'adaptateur en Y à la sortie du préamplificateur et l'autre à l'entrée de l'amplificateur principal. Raccordez aux extrémités femelles des adaptateurs en Y les câbles reliés au caisson de graves.

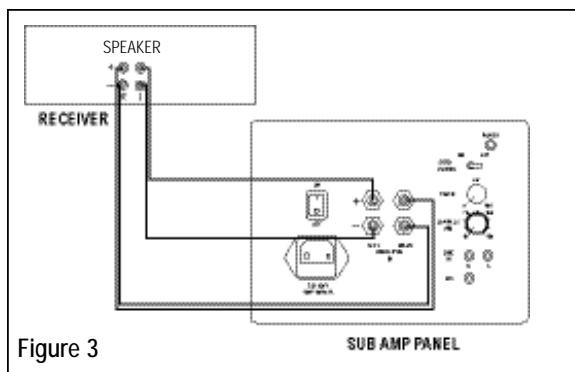


Figure 3

- **Processeur ambiophonique ou préamplificateur indépendant** — Utilisez une paire d'adaptateurs en Y, possédant chacun une fiche RCA mâle et deux prises RCA femelles. Débranchez du préamplificateur ou du processeur les câbles reliés aux sorties des canaux gauche et droit et raccordez-les aux adaptateurs en Y. Pour chaque canal, raccordez aux prises RCA de l'adaptateur en Y le câble relié à l'amplificateur de puissance et celui relié au caisson de graves.
- **Sorties haut-parleurs** — Raccordez aux entrées haut-parleurs du caisson de graves les mêmes sorties de l'amplificateur intégré ou du récepteur qu'aux enceintes avant gauche et droite. Il faut utiliser pour cela un deuxième jeu de fils allant des sorties haut-parleur gauche et droite au caisson de graves. Respectez la polarité : les sorties positives (+, rouges) doivent être reliées aux entrées positives et les sorties négatives (-, noires) aux entrées négatives. Assurez-vous de l'absence de contact métal contre métal entre les polarités positive et négative à chaque extrémité de la liaison, afin d'éviter tout risque de mauvais fonctionnement ou d'endommagement de l'amplificateur. Le caisson de graves peut être raccordé à une sortie secondaire ou « B » des canaux principaux de l'amplificateur à condition que le volume des enceintes principales ne soit pas affecté lorsque les deux sorties sont sélectionnées.

Alimentation — Mettez l'interrupteur principal d'alimentation du caisson de graves sur « Off ». Puis branchez le cordon d'alimentation dans une prise de courant. Vous pouvez soit mettre manuellement sous tension et hors tension à l'aide de l'interrupteur principal d'alimentation, soit laisser celui-ci en position de marche et mettre l'interrupteur d'alimentation automatique en position « On », ce qui permet la mise sous tension automatique du caisson de graves lorsqu'un signal est détecté sur l'une des entrées et la mise hors tension automatique après un certain temps d'inactivité. Pour la plupart des systèmes, il est conseillé d'utiliser le réglage « On » pour l'alimentation automatique.

Réglage — Pour commencer, réglez la fréquence de coupure à environ la valeur limite inférieure des enceintes avant gauche et droite. Si vous ne disposez pas de leurs caractéristiques, faites une estimation réaliste en fonction de la taille des enceintes. En général, une grande enceinte permet d'obtenir des fréquences plus basses qu'une petite. Vous pouvez donc commencer par un réglage de la fréquence de coupure à la valeur minimale de 40Hz pour une grande enceinte posée au sol, et à la valeur maximale de 120Hz pour une toute petite enceinte satellite. Pour les enceintes de bibliothèque, la plage est en général de 50 à 80Hz. Si la fréquence du filtre passif est réglée à une valeur supérieure à 100Hz, il faut mettre le caisson de graves à l'avant de la pièce et à proximité des enceintes principales.



Écoutez divers enregistrements musicaux contenant un niveau de graves important sans être prédominant. Réglez le niveau du caisson de graves de façon à obtenir une musique chaleureuse et naturelle. Si vous avez des difficultés pour obtenir un niveau suffisant d'extrêmes graves sans pour autant rendre le son caverneux, c'est sans doute parce que la fréquence de coupure est réglée à une valeur trop élevée. Essayez de la réduire légèrement jusqu'à ce que le problème disparaisse. Si le son est faible au point de devoir augmenter excessivement le niveau du caisson de graves et que les extrêmes graves deviennent trop importants, essayez de modifier le réglage de phase. Si cela ne permet pas de résoudre totalement le problème, il faut sans doute augmenter la fréquence de coupure.

Commentaire général à propos des réglages: Étant donné que toute modification d'un réglage a tendance à modifier dans une certaine mesure les valeurs optimales des autres paramètres, le processus de réglage est très interactif et implique beaucoup de tâtonnements. Si vous n'êtes toujours pas satisfait après avoir passé un moment à écouter et à régler, c'est peut-être qu'il faut essayer de modifier un peu l'emplacement du caisson de graves. Bien entendu, cela entraîne une interaction avec tous les autres réglages. N'oubliez pas que la patience est une vertu. Le résultat final sera à la hauteur de vos efforts.

ENTRETIEN ET NETTOYAGE

Le nettoyage de votre caisson de graves ne demande qu'un époussetage de temps en temps. N'utilisez jamais de produits de nettoyage abrasifs ou à base de solvant ni de détergents puissants. Vous pouvez nettoyer la grille à l'aide d'une brosse d'aspirateur.

HOMOLOGATIONS

Conformité aux normes UL6500 et CAN/CSA E60065 ; homologation comme appareil numérique de classe B au titre des modalités de vérification FCC section 15. Cet appareil numérique de classe B est conforme à la norme canadienne ICES-003. Autorisation de porter la marque CE, conformité à la directive basse tension 73/23/EEC de l'Union européenne ; conformité à la directive CEM 89/336/EEC de l'Union européenne.

GARANTIE (ÉTATS-UNIS ET CANADA SEULEMENT)

La garantie ci-dessous est valable exclusivement pour les articles vendus aux consommateurs aux États-Unis et au Canada.

KLIPSCH AUDIO TECHNOLOGIES (KLIPSCH dans ce qui suit) garantit cet article contre tout défaut de fabrication ou de matériau (sous réserve des conditions énoncées ci-dessous) pour une période de cinq (5) ans à compter de la date d'achat. Pendant cette période de garantie, KLIPSCH réparera ou remplacera, à sa discrétion, l'article ou la pièce défectueuse (à l'exception des amplificateurs et autres appareils électroniques). Pour les articles comportant des amplificateurs ou d'autres composants électroniques, la période de garantie de ces composants est de deux (2) ans à compter de la date d'achat.

Pour tout service entrant dans le cadre de la garantie, veuillez prendre contact avec le concessionnaire agr KLIPSCH auprès duquel l'article a été acheté. Si le concessionnaire ne dispose pas des moyens d'effectuer la réparation de l'article KLIPSCH, celui-ci peut être renvoyé à KLIPSCH en port payé pour réparation. Veuillez appeler KLIPSCH au 1-800-KLIPSCH pour recevoir des instructions à ce propos. L'article devra être expédié dans son emballage d'origine ou dans un emballage offrant le même niveau de protection.

Toute demande de réparation ou de remplacement dans le cadre de la garantie doit être accompagnée d'une preuve d'achat datée (facture ou ticket de caisse) attestant que la période de garantie n'a pas expiré.

Cette garantie est annulée si (a) le numéro de série apposé à l'usine est modifié ou retiré de l'article ou (b) l'article n'a pas été acheté auprès d'un concessionnaire agr KLIPSCH. Il est possible d'appeler le 1-800-KLIPSCH pour vérifier que le numéro de série n'a pas été modifié ou que le vendeur est bien un concessionnaire agr KLIPSCH.

Cette garantie ne couvre pas les dommages superficiels ou résultant d'une mauvaise utilisation, d'un mauvais traitement, d'une utilisation commerciale ou d'une modification de cet article ou de toute pièce de celui-ci, ou encore d'une négligence, d'une catastrophe naturelle ou d'un accident. Cette garantie ne couvre pas les dommages résultant d'un

emploi, d'une installation ou d'un entretien inadéquats, ou d'une tentative de réparation par toute personne non autorisée par KLIPSCH à effectuer des réparations dans le cadre de la garantie. Toute réparation non autorisée annule cette garantie. Cette garantie ne couvre pas les articles vendus EN L TAT ou SANS GARANTIE .

LES RÉPARATIONS OU REMPLACEMENTS OFFERTS DANS LE CADRE DE CETTE GARANTIE CONSTITUENT LE SEUL RECOURS DE L'ACHETEUR. KLIPSCH DÉCLINE TOUTE RESPONSABILITÉ EN CAS DE DOMMAGES INDIRECTS OU ACCESSOIRES POUR MANQUEMENT À TOUTE GARANTIE EXPRESSE OU IMPLICITE DE CE PRODUIT. SAUF DISPOSITIONS CONTRAIRES PRÉVUES PAR LA LOI, CETTE GARANTIE EXCLUE ET REMPLACE TOUTE AUTRE GARANTIE EXPRESSE OU IMPLICITE, Y COMPRIS, MAIS DE FAÇON NON LIMITATIVE, LES GARANTIES DE QUALITÉ MARCHANDE ET D'ADAPTATION À UN USAGE PARTICULIER.

Certaines collectivités territoriales n'autorisant pas l'exclusion ou la limitation des dommages indirects ou accessoires ou des garanties implicites, il est possible que les limitations ou exclusions ci-dessus ne s'appliquent pas à votre cas. Cette garantie vous donne des droits particuliers. Vous bénéficiez peut-être d'autres droits selon votre lieu de résidence.

GARANTIE À L'EXTÉRIEUR DES ÉTATS-UNIS ET DU CANADA

Si ce produit est vendu à l'extérieur des États-Unis et du Canada, la garantie doit être conforme aux lois en vigueur et n'engage que la responsabilité du distributeur qui a fourni ce produit. Pour obtenir un service en garantie, contactez le détaillant chez qui vous avez acheté ce produit ou le distributeur qui l'a fourni.

REFERENCE SERIES



WICHTIGER SICHERHEITSHINWEIS

1. LESEN Sie diese Anweisungen durch.
2. BEHALTEN Sie diese Anweisungen.
3. BEACHTEN Sie alle Warnhinweise.
4. FOLGEN Sie allen Anweisungen.
5. Verwenden Sie diese Geräte NICHT in der Nähe von Wasser.
6. Reinigen Sie sie NUR mit einem trockenen Tuch.
7. Blockieren Sie KEINE Lüftungöffnungen. Installieren Sie die Geräte entsprechend den Herstelleranweisungen.
8. Installieren Sie sie nicht in der Nähe von Wärmequellen wie Heizkörpern, Warmlufteintrittsöffnungen, Öfen oder anderen wärmeerzeugenden Geräten (einschließlich Verstärkern).
9. Sie dürfen die Sicherheitsfunktion polarisierter oder geerdeter Stecker NICHT außer Kraft setzen. Ein polarisierter Stecker hat zwei Stifte, wobei einer dicker ist als der andere. Ein geerdeter Stecker hat zwei Stifte und einen dritten Erdungsstift. Der dickere Stift oder der dritte Stift dienen zu Ihrer Sicherheit. Wenn der mitgelieferte Stecker nicht in Ihre Steckdose passt, sollten Sie die veraltete Steckdose durch einen Elektriker ersetzen lassen.
10. VERMEIDEN Sie, dass das Netzkabel belastet oder geknickt wird, vor allem bei Steckern, Zusatzsteckdosen und beim Ausgang aus dem Gerät.
11. Verwenden Sie AUSSCHLIESSLICH vom Hersteller empfohlene Zusatzgeräte/Zubehör.
12. Verwenden Sie beim Transport ausschließlich Wagen, Ständer, Stative, Halterungen oder Tische, die vom Hersteller empfohlen oder mit dem Gerät verkauft wurden. Bei Verwendung eines Wagens sollten Sie vorsichtig sein, damit Wagen und Gerät nicht umkippen und Verletzungen verursachen.
13. Trennen Sie dieses Gerät bei Gewitter vom Netz, oder wenn es längere Zeit nicht benutzt wird.
14. Lassen Sie alle Wartungen bzw. Reparaturen von geschulten Kundendiensttechnikern durchführen. Eine Wartung bzw. Reparatur ist nötig, wenn das Gerät auf irgendeine Weise beschädigt wurde, z. B. durch Schäden am Netzkabel oder -stecker, durch Verschütten von Flüssigkeiten, durch das Hineinfallen von Gegenständen, durch Regen oder Feuchtigkeit, wenn es nicht richtig funktioniert oder wenn es fallen gelassen wurde.



Dieses Symbol weist darauf hin, dass die dieser Einheit beiliegenden Anleitungen wichtige Betriebs- und Wartungsanweisungen enthalten.



Dieses Symbol weist auf die Gefahr eines Stromschlags aufgrund von gefährlichen Spannungen in dieser Einheit hin.

WARNUNG: Um die Gefahr eines Feuers oder Stromschlags zu verringern, ist dieses Gerät vor Regen oder Feuchtigkeit zu schützen.



WARNUNG: In diesem Gerät gibt es lebensgefährliche Stromspannung. Das Gerät enthält keine durch den Benutzer zu wartenden Teile. Lassen Sie alle Wartungen bzw. Reparaturen von geschulten Kundendiensttechnikern durchführen.

WARNUNG: Änderungen oder Modifikationen, die nicht ausdrücklich vom Hersteller genehmigt sind, könnten das Recht des Benutzers zum Betrieb des Geräts ungültig werden lassen.

ÜBER IHR KLIPSCH-PRODUKT

Vielen Dank, dass Sie einen Klipsch-Subwoofer gekauft haben. Nach der Lektüre dieses Handbuchs und dem Anschluss Ihres Systems werden Sie das Ergebnis von über 55 Jahren herausragender Technologie und führender Forschungs- und Entwicklungsarbeit hören können. Füllen Sie bitte die Garantiekarte auf der Rückseite dieses Handbuchs aus, oder tun Sie dies online bei www.klipsch.com, so dass wir Ihnen besser helfen können. Nochmals vielen Dank, dass Sie Klipsch gewählt haben. Wir hoffen, dass Ihr Subwoofer viele Jahre lang Ihre Musik und Ihre Filme zum Leben erwecken wird.

PLATZIERUNG

Obwohl der Subwoofer der Reference-Serie in einer Vielzahl von Positionen eine gute Leistung bietet, können Sie diese optimieren, indem Sie folgenden einfachen Regeln folgen.

- Obwohl die Ausrichtung des Subwoofers nicht von entscheidender Bedeutung ist, sollten Sie die Vorderseite (Treiber) des Gehäuses nicht gegen eine Wand richten.
- Die Leistung des Subwoofers steigt, je näher er an einer Wand ist, und die maximale Leistung wird durch Platzierung in einer Ecke erreicht. Wenn möglich sollte der Subwoofer immer gegen eine Wand oder nahe daran platziert werden.
- In den meisten Räumen bietet der Subwoofer die beste Bassleistung, wenn er in einer Ecke und entfernt von Öffnungen (wie Türen) aufgestellt wird.
- Bei der Verwendung von mehr als einem Subwoofer wird die beste Leistung durch eine Platzierung im gleichen Bereich erzielt, nicht durch eine weit getrennte Aufstellung.

ANSCHLÜSSE UND EINSTELLUNGEN

Beim Einstecken der Verbindungskabel müssen der Subwoofer und der Hauptverstärker ausgeschaltet sein. Auf der Rückseite des Subwoofers befinden sich drei Gruppen von Eingängen: (1) ein einzelner LFE-Direct-RCA-Anschluss, der die interne Crossover-Funktion umgeht, (2) zwei RCA-Anschlüsse für Line-Level-Stereo-Eingang (oder Mono) und (3) Anschlüsse, die mit den Lautsprecherausgängen an einem Receiver oder Verstärker verbunden werden. Darüber hinaus befinden sich auf der Rückseite vier Regler: (1) Netzschalter; (2) Automatische Ein-/Aus-Schaltung; (3) Phase und (4) Tiefpass-Crossover-Frequenz. Der Lautstärkeregel befindet sich oben rechts an der Seite des Subwoofers.

Anschluss für Digital-Surround-Receiver oder -Prozessor — Moderne Dolby Digital[®] (AC-3) und DTS[®] Digital-Surround-Receiver und -Prozessoren verfügen über Line-Level-Subwoofer-Ausgänge und eine eingebaute Subwoofer-Crossover-Funktion. Wenn Ihr System um eines dieser Geräte herum aufgebaut ist, ist es meistens besser, den Subwoofer-Ausgang am Receiver oder Prozessor mit dem LFE-Direct-Eingang am Subwoofer zu verbinden (siehe Abbildung 1). Dadurch wird die interne Crossover-Funktion des Subwoofers umgangen, doch dies ist nur zu empfehlen, wenn diese Funktion vom Receiver übernommen werden kann. Verwenden Sie zum Anschluss des Subwoofers ein abgeschirmtes Qualitätskabel passender Länge mit Cinch-Steckern an beiden Enden. Ihr Fachhändler kann Sie bei der Auswahl eines passenden Kabels beraten. Vergessen Sie nicht, im Lautsprecher-Setup-Menü Ihres Receivers oder Prozessors den Subwoofer zu aktivieren („Ein“ oder „Ja“). Möglicherweise verfügt Ihr Receiver oder Prozessor über weitere Bass-Management-Funktionen, die über das einfache Aktivieren des Subwoofer-Ausgangs hinausgehen. Weitere Informationen über die richtigen Bass-Management-Funktionen können Sie im Benutzerhandbuch Ihres Receivers oder Prozessors finden, oder lassen Sie sich von Ihrem Fachhändler beraten.

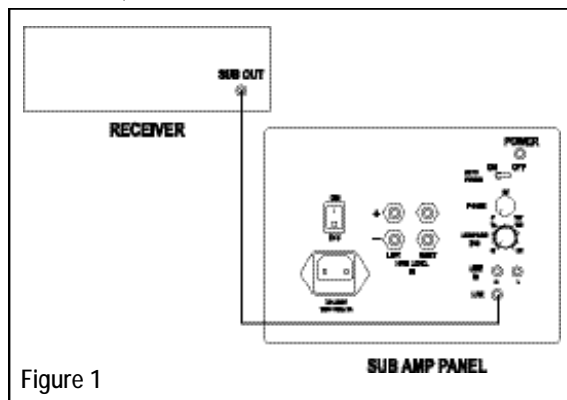


Figure 1

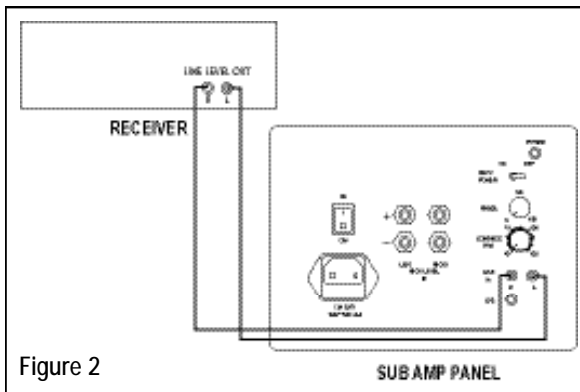
Netzschalter — Stellen Sie den Hauptschalter des Subwoofers auf „Off“ (Aus). Stecken Sie dann das Netzkabel in eine Steckdose. Sie können den Strom manuell mit dem Schalter ein- und ausschalten, oder Sie können den Hauptschalter eingeschaltet lassen und die automatische Einschaltung auf „On“ (Ein) einstellen, wodurch der Subwoofer sich automatisch einschaltet, sobald an einem der Eingänge ein Signal entdeckt wird, und sich nach einer gewissen Zeit der Inaktivität ausschaltet. Bei den meisten Systemen ist es empfehlenswert, die automatische Ein-/Ausschaltung zu aktivieren.

Crossover-Einstellung — Durch die Verwendung des LFE-Direct-Eingangs wird der an der Rückseite befindliche Regler für die Crossover-Frequenz umgangen. Ihr Receiver oder Prozessor übernimmt dann die Crossover-Funktion. Die meisten verwenden eine einzelne, festgelegte Frequenz zwischen 80Hz und 100Hz. Wenn Ihr Receiver es ermöglicht, Crossover-Frequenzen auszuwählen, empfiehlt sich zunächst meist 80Hz. Weitere Informationen hierzu finden Sie im Abschnitt „Einstellung“. In diesem Fall beginnen Sie mit der Frequenz, die der angegebenen unteren Frequenzgrenze der kleinsten Lautsprecher im System am nächsten kommt. Nach Durchführung der anderen Einstellungen können Sie versuchs halber die Frequenz etwas nach oben oder unten verschieben, um festzustellen, ob ein anderer Wert bessere Ergebnisse liefert. Wenn die Crossover-Frequenz höher als 100Hz ist, sollte sich der Subwoofer vorne im Raum in der Nähe der vorderen Hauptlautsprecher befinden.

Lautstärkereglern — Stellen Sie den Level des Subwoofers ein, um einen fließenden Übergang zwischen dessen Lautstärke und der der Hauptlautsprecher zu erreichen. Im Lautsprecher-Setup-Menü Ihres Receivers oder Prozessors finden Sie eine Einstellung für die Subwoofer-Lautstärke, und Sie müssen sowohl diese als auch den Lautstärkereglern am Subwoofer selbst wiederholt anpassen. Am Ende sollte sich die Menüeinstellung ungefähr im mittleren Bereich befinden. Suchen Sie nach einer Bass-Einstellung, die stark, aber nicht übertrieben oder dröhnend klingt.

Phasenregler — Bei manchen Systemen macht die Einstellung des Phasenreglers keinen großen Unterschied, doch bei anderen müssen Sie die Phasen- und Lautstärkereglern wiederholt anpassen, bis Sie die beste Mischung mit den Hauptlautsprechern erreicht haben. Da jede Einstellung (einschließlich der am Receiver oder Prozessor gewählten Crossover-Frequenz) die optimale Einstellung der anderen Werte beeinflusst, dauert es oft eine Weile, bis alles richtig festgelegt ist. Lassen Sie zunächst den Phasenregler bei 0° und hören Sie sich in Ihrer üblichen Hörposition eine Aufnahme mit einem deutlichen, sich wiederholenden Bass an. Wiederholen Sie diesen Vorgang mit einem auf 90° bzw. 180° eingestellten Phasenregler. Verwenden Sie die Einstellung mit der besten Bassleistung.

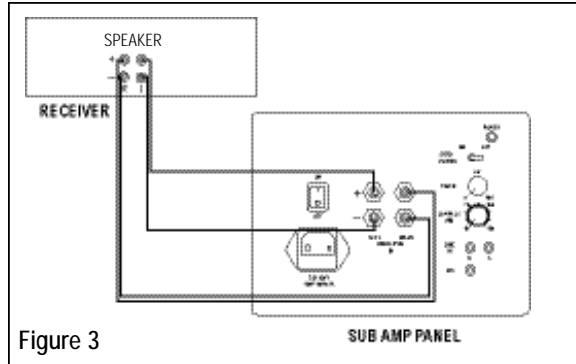
Anschluss für Analog-Surround-Receiver/Prozessor oder Zweikanal-Stereosystem — Manche analogen A/V-Receiver und -Prozessoren (ohne Dolby Digital® oder DTS®-Fähigkeit) besitzen einen Line-Level-Subwoofer-Ausgang. Andere verfügen über Line-Level-Ausgänge für den linken und rechten Kanal, ebenso manche Stereo-Receiver und integrierten Verstärker.



Alle separaten Stereo-Vorverstärker und Surround-Prozessoren besitzen Line-Level-Ausgänge. Diese Ausgänge können mit den Line-Level-Haupteingängen des Subwoofers verbunden werden (siehe Abbildung 2). Verwenden Sie zum Anschluss ein oder zwei abgeschirmte Qualitätskabel passender Länge mit Cinch-Steckern an beiden Enden. Ihr Fachhändler kann Sie bei der Auswahl passender Kabel beraten. Wenn Ihr System keinen dieser Ausgänge besitzt, müssen Sie die Level-Eingänge des Subwoofers mit den Lautsprecherausgängen des Receivers oder integrierten Verstärkers verbinden (siehe Abbildung 3).

- **Subwoofer-Ausgang** — Verbinden Sie den Subwoofer-Ausgang mit einem der Line-Level-Eingänge am Subwoofer. Verwenden Sie nicht den LFE-Direct-Eingang.
- **Vorverstärkerausgänge an einem Receiver oder integrierten Verstärker** — Wenn Ihr Receiver oder integrierter Verstärker freie Vorverstärkerausgänge für die vorderen rechten und linken Kanäle hat, verbinden Sie diese mit den Line-Level-Eingängen am Subwoofer.

- **Pre-Out/Main-In-Schleifen am Receiver oder integrierten Verstärker** — Die Vorverstärker- und Endverstärkerstufen mancher Receiver und integrierter Verstärker werden extern über Brücken verbunden. Wenn bei Ihrem Gerät die vorderen linken und rechten Kanäle derart verbunden sind, können Sie den Subwoofer an diese Vorverstärkerausgänge anschließen. Sie benötigen hierzu zwei Y-Adapter, die jeweils zwei Cinch-Stecker und eine RCA-Buchse besitzen. Entfernen Sie die Brücke für die zwei Kanäle. Stecken Sie für jeden Kanal eine Hälfte des Y-Adapters in den Vorverstärkerausgang und die andere in den Hauptverstärkereingang. Stecken Sie jeweils die zum Subwoofer führenden Kabel in die Buchsen am Y-Adapter.



- **Separater Vorverstärker oder Surround-Prozessor** — Sie benötigen hierzu zwei Y-Adapter, die jeweils einen Cinch-Stecker und zwei RCA-Buchsen besitzen. Ziehen Sie die Kabel an den Ausgängen für den vorderen linken und rechten Kanal am Vorverstärker oder Prozessor heraus und stecken Sie die Y-Adapter dort ein. Stecken Sie bei jedem Kanal das zum Endverstärker verlaufende Kabel in eine der RCA-Buchsen am Y-Adapter und das zum Subwoofer führende Kabel in die andere.
- **Lautsprecherausgänge** — Verbinden Sie die Level-Eingänge des Subwoofers mit denselben Ausgängen des Receivers oder integrierten Verstärkers wie Ihre linken und rechten vorderen Lautsprecher. Dazu muss eine zweite Gruppe von Kabeln von den linken und rechten Lautsprecherausgängen zum Subwoofer geführt werden. Sorgen Sie für eine korrekte Polarität, indem Sie positive (+, rot) Ausgänge mit positiven Eingängen und negative (-, schwarz) Ausgänge mit negativen Eingängen verbinden. Vergewissern Sie sich, dass an beiden Enden zwischen den positiven und negativen Seiten kein Metallkontakt existiert. Ansonsten kann es zu Fehlfunktionen oder Beschädigungen des Verstärkers kommen. Der Subwoofer kann mit einem sekundären oder „B“-Hauptkanalausgang des Verstärkers verbunden werden, falls die Lautstärke Ihrer Hauptlautsprecher nicht beeinträchtigt wird, wenn beide Ausgänge gewählt werden.

Netzschalter — Stellen Sie den Hauptschalter des Subwoofers auf „Off“ (Aus). Stecken Sie dann das Netzkabel in eine Steckdose. Sie können den Strom manuell mit dem Schalter ein- und ausschalten, oder Sie können den Hauptschalter eingeschaltet lassen und die automatische Einschaltung auf „On“ (Ein) einstellen, wodurch der Subwoofer sich automatisch einschaltet, sobald an einem der Eingänge ein Signal entdeckt wird, und sich nach einer gewissen Zeit der Inaktivität ausschaltet. Bei den meisten Systemen ist es empfehlenswert, die automatische Ein-/Ausschaltung zu aktivieren.

Einstellung — Stellen Sie zuerst den Crossover-Frequenzregler auf die ungefähre untere Frequenzgrenze Ihrer vorderen linken und rechten Hauptlautsprecher ein. Wenn Ihnen diese Werte nicht bekannt sind, verwenden Sie auf der Basis der Lautsprechergrößen basierende Schätzwerte. Ein großer Lautsprecher kann meist tiefere Frequenzen erreichen als ein kleiner. Bei einem großen Standlautsprecher können Sie vielleicht mit einer Crossover-Frequenz von 40Hz anfangen, während Sie für sehr kleine Satellitenlautsprecher einen Wert von 120Hz wählen sollten. Typische Regallautesprecher liegen meist im Bereich von 50Hz bis 80Hz. Wenn die Crossover-Frequenz höher als 100Hz ist, sollte sich der Subwoofer vorne im Raum in der Nähe der vorderen Hauptlautsprecher befinden.

Spielen Sie eine Reihe von Aufnahmen mit starkem aber nicht übertriebenen Bassanteil ab. Verstellen Sie den Level-Regler des Subwoofers, bis die Musik durchgehend warm und natürlich klingt. Wenn Sie Probleme haben, den Bass tief genug zu bekommen, ohne dass der Sound dröhnend wird, bedeutet das wahrscheinlich, dass die Crossover-Frequenz zu hoch eingestellt ist. Stellen Sie sie allmählich niedriger ein, bis das Problem gelöst ist. Wenn der Sound zu dünn klingt, bis Sie den Subwoofer-Pegel so hochdrehen, dass der Tiefbass zu sehr in den Vordergrund tritt, sollten Sie zunächst den Phasenregler anders einstellen. Wenn dadurch das Problem nicht ganz gelöst wird, müssen Sie wahrscheinlich die Crossover-Frequenz erhöhen.

REFERENCE SERIES



Allgemeiner Hinweis zu den Einstellungen: Da jede Veränderung eines Reglers die optimale Einstellung der anderen Werte in gewissem Umfang beeinflusst, ist der Einstellungsvorgang sehr interaktiv und erfordert viel Versuch und Irrtum. Wenn Sie eine Weile zugehört und das System kalibriert haben und immer noch unzufrieden sind, sollten Sie vielleicht versuchen, die Position des Subwoofers zu verändern. Das hat natürlich wiederum Einfluss auf alles andere. Sie müssen also Geduld haben. Das Endergebnis ist auf jeden Fall die Mühe wert.

PFLEGE UND REINIGUNG

Die einzig nötige Pflege Ihres Subwoofers besteht darin, ihn gelegentlich abzustauben. Verwenden Sie nie Scheuermittel, Lösungsmittel enthaltende oder aggressive Reinigungsmittel. Sie können den Lautsprechergrill mit dem Bürstenaufsatz eines Staubsaugers reinigen.

ZULASSUNGEN

Entspricht UL6500 und CAN/CSA E60065. Entsprechend den Prüfbestimmungen von FCC Part 15 als digitales Gerät der Klasse B genehmigt. Dieses digitale Gerät der Klasse B entspricht der kanadischen Norm ICES-003. Darf das CE-Zeichen führen. Entspricht der EU-Niederspannungsrichtlinie 73/23/EEC. Entspricht der EU-Richtlinie 89/336/EEC (Elektromagnetische Verträglichkeit).

AUSSERHALB DER USA UND KANADA

Falls dieses Produkt an Kunden außerhalb der USA oder Kanada verkauft wurde, entspricht die Garantie für dieses Produkt dem jeweils geltenden Recht und liegt ausschließlich in der Verantwortung des Distributors, der dieses Produkt geliefert hat. Zur Inanspruchnahme von Garantieleistungen den Händler, der dieses Produkt verkauft hat, oder den Distributor, der dieses Produkt geliefert hat, kontaktieren.



LEGGERE QUESTE ISTRUZIONI

1. CONSERVARLE.
2. RISPETTARE tutte le avvertenze.
3. SEGUIRE tutte le istruzioni.
4. NON usare questo apparecchio vicino all'acqua.
5. PULIRE SOLO con un panno asciutto.
6. NON ostruire nessuna apertura per l'aria. Installare seguendo le istruzioni del produttore.
7. Non installare presso fonti di calore come ad esempio radiatori, bocchette di uscita dell'aria di riscaldamento, forni o altri apparecchi (compresi amplificatori) che generano calore.
8. NON annullare la funzione di sicurezza offerta da una spina polarizzata o con presa di terra. Le spine polarizzate hanno due spinotti lamellari, uno più largo dell'altro, mentre le spine con presa di terra hanno due spinotti cilindrici e un terzo, anch'esso cilindrico, per il collegamento all'impianto di messa a terra. Lo spinotto più largo e il terzo spinotto proteggono l'incolumità personale. Se la spina in dotazione non si adatta alla presa di corrente, rivolgersi a un elettricista.
9. PROTEGGERE il cordone di alimentazione in modo che non possa essere pestato o schiacciato, particolarmente in corrispondenza della spina, della presa di corrente e del punto di uscita dall'apparecchio.
10. USARE SOLO gli accessori specificati dal produttore.
11. USARE solo con i supporti (carrello, sostegno, treppiede, staffa o tavolo) specificati dal produttore o venduti con l'apparecchio. Se si usa un carrello, fare attenzione quando lo si sposta assieme all'apparecchio, per prevenire infortuni causati da un ribaltamento.
12. SCOLLEGARE dalla presa di corrente questo apparecchio durante i temporali o se non verrà usato per lunghi periodi.



13. RIVOLGERSI a personale qualificato per qualsiasi intervento. Occorre intervenire sull'apparecchio ogni volta che viene danneggiato in modo qualsiasi, per esempio se la spina o il cordone di alimentazione si danneggiano, se si versa un liquido o cadono oggetti sull'apparecchio, se l'apparecchio è rimasto esposto alla pioggia o all'umidità, non funziona normalmente o è caduto.



Questo simbolo indica che la documentazione allegata a questo apparecchio contiene istruzioni importanti per l'uso e la manutenzione.



Questo simbolo indica che all'interno di questo apparecchio è presente una tensione pericolosa, che comporta il rischio di scosse elettriche.

ATTENZIONE: per ridurre il rischio di scosse elettriche, non esporre questo apparecchio né alla pioggia né all'umidità.



ATTENZIONE: le tensioni all'interno di questo apparecchio sono mortali. All'interno non vi sono parti riparabili dall'utente. Per qualsiasi intervento rivolgersi a personale qualificato. ATTENZIONE: eventuali modifiche non approvate espressamente dal produttore potrebbero annullare l'autorizzazione concessa all'utente per l'uso di questo apparecchio.

IL VOSTRO NUOVO PRODOTTO KLIPSCH

Vi ringraziamo per l'acquisto di un subwoofer Klipsch. Dopo aver letto questo manuale e dopo aver collegato il sistema, potrete ascoltare il risultato di oltre 55 anni di progettazioni rigorose di ricerca e sviluppo all'avanguardia. Vi consigliamo di compilare la cartolina di garanzia sul retro del manuale o presso il sito www.klipsch.com per permetterci di servirvi al meglio. Vi ringraziamo nuovamente di aver scelto Klipsch e speriamo che il vostro nuovo subwoofer dia nuova vita alla vostra musica e ai vostri film preferiti per molti anni.

POSIZIONAMENTO

Il subwoofer Reference Series funziona perfettamente in molte posizioni ma se si seguono alcune semplici indicazioni sarà possibile ottimizzarne le prestazioni:

- L'orientamento del subwoofer non è critico ma si deve evitare di posizionare il lato anteriore (driver) della cassa direttamente contro la parete.
- L'uscita del subwoofer aumenta quando è posizionato vicino a una parete, ed è massimizzata quando viene posizionato in un angolo. Se possibile, posizionare il subwoofer vicino a o fianco a una parete.
- Nella maggior parte delle stanze, potrete ottenere la risposta più uniforme per i bassi posizionando il subwoofer in un angolo e lontano da porte e da altre aperture nelle pareti.
- Se si utilizza più di un subwoofer, si otterranno le migliori prestazioni posizionandoli l'uno vicino all'altro nella stessa zona, invece di tenerli separati.

COLLEGAMENTO E REGOLAZIONE

Effettuare tutti i collegamenti solo quando l'alimentazione è spenta al subwoofer e all'amplificatore principale. Il subwoofer ha tre serie di connettori di ingresso sul pannello posteriore: (1) un unico jack LFE-Direct RCA che il fornisce il bypass per il crossover interno; (2) un paio di jack RCA per ingressi di linea stereo (o mono); e (3) una serie di terminali per il collegamento alle uscite per i diffusori su un ricevitore o un amplificatore. Sul pannello posteriore sono presenti anche quattro controlli: (1) Alimentazione; (2) Accensione e spegnimento automatici; (3) Fase; e (4) Frequenza di taglio crossover. La manopola di controllo del livello volume si trova nel pannello superiore destro del subwoofer.

Digital Surround Receiver or Processor Connection — I moderni processori e ricevitori digitali surround Dolby Digital® (AC-3) e DTS® hanno sia uscite livello linea subwoofer che crossover subwoofer interni. Per i sistemi costruiti attorno a questo tipo di unità, sarà sempre meglio collegare l'uscita subwoofer del ricevitore o del processore all'ingresso LFE Direct del subwoofer (vedere figura 1). In tal modo si effettuerà il bypass del crossover interno del subwoofer. Si deve utilizzare questo metodo solo se possono essere gestiti internamente nel ricevitore. Utilizzare un cavo schermato di ottima qualità specifico per il collegamento di subwoofer, di lunghezza corretta e con connettori RCA alle due estremità. Il rivenditore potrà aiutare nella selezione di un cavo adatto. Impostare Subwoofer su "On" o "Yes (SI)" nel menu di impostazione dei diffusori del ricevitore o del processore. Il ricevitore o processore potrebbe offrire ulteriori opzioni di gestione dei bassi oltre all'attivazione dell'uscita del subwoofer. Per ulteriori informazioni o per ottenere le impostazioni corrette per la gestione dei bassi per il proprio sistema, consultare il manuale dell'utente del processore o del ricevitore oppure contattare il proprio rivenditore.

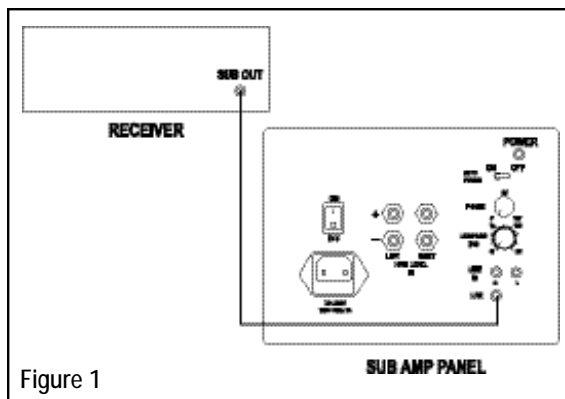


Figure 1

Accensione — Impostare l'interruttore principale del subwoofer su "Off" prima di inserire il cavo di alimentazione nella presa di rete. Si può accendere o spegnere l'unità manualmente con l'interruttore oppure lasciare l'unità accesa ed attivare l'opzione di accensione automatica. Con tale opzione l'unità si accenderà automaticamente ogni volta che verrà percepito un segnale d'ingresso e si spegnerà dopo un periodo di inattività. Nella maggior parte dei sistemi si consiglia di mantenere attiva l'accensione automatica.

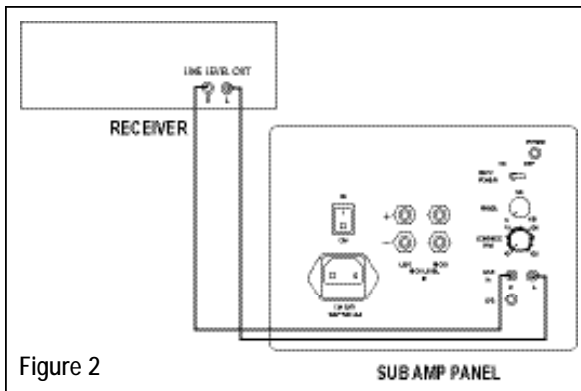


Regolazione crossover — Utilizzando l'ingresso LFE Direct si effettua il bypass del controllore della frequenza di crossover sul pannello posteriore. Il ricevitore o il processore gestirà la funzione di crossover. Nella maggior parte dei casi, utilizzare una frequenza compresa tra 80Hz e 100Hz. Se il ricevitore o il controllore permettono di selezionare la frequenza di crossover, si consiglia di iniziare con 80Hz. Per ulteriori informazioni vedere la sezione sulla regolazione. Se è possibile selezionare la frequenza di crossover, iniziare con una frequenza che corrisponda il più possibile al limite inferiore della bassa frequenza per il diffusore più piccolo nel sistema. Dopo aver completato le altre regolazioni, provare a variare leggermente la frequenza verso l'alto e verso il basso per vedere se si ottengono prestazioni migliori. Se la frequenza di crossover è impostata ad un valore superiore a 100Hz, il subwoofer dovrà essere posizionato al centro della stanza, davanti ai diffusori anteriori principali.

Controllo volume — Variare il livello del subwoofer fino ad ottenere una transizione uniforme tra l'uscita delle casse principali e quella del subwoofer. Il ricevitore o il processore avranno un controllo per il livello del subwoofer all'interno del menu di impostazione dei diffusori, per cui sarà necessario variare tale livello e il livello sul subwoofer stesso, alternando la regolazione tra i due. Alla fine si dovrebbe ottenere una posizione del controllo nel menu verso la metà dell'intervallo di valori di volume. Cercare di ottenere bassi che siano solidi ma non eccessivi o rimbombanti.

Controllo fase — In alcune installazioni le impostazioni di Controllo fase potrebbero non avere importanza, mentre in altri casi potrebbe essere necessario alternare la regolazione del controllo di Fase e Livello per ottenere la miscelazione ideale con il suono emesso dai diffusori principali. Le impostazioni di ciascun controllo (incluso quello per la frequenza di crossover nel ricevitore o nel controllore) influenzano le impostazioni ottimali degli altri controlli e spesso è necessaria un po' di pazienza per regolare il tutto in maniera ottimale. Iniziare con la manopola della fase su 0° e riprodurre della musica con una linea del basso evidente e ripetuta, ponendosi nella posizione di ascolto. Ripetere la procedura con la manopola nelle posizioni a 90° e 180°. Utilizzare le impostazioni che massimizzano l'uscita dei bassi.

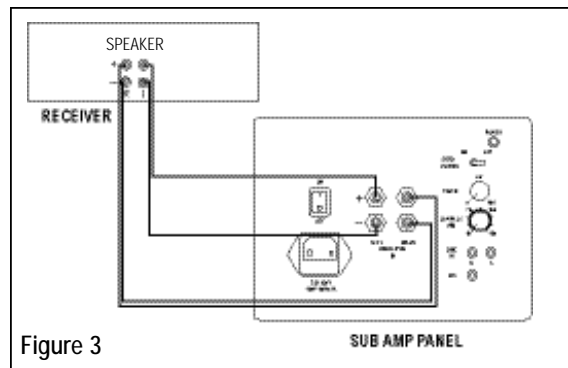
Ricevitore o processore analogico surround o collegamento a sistema stereo a due canali — Alcuni ricevitori e processori analogici A/V (senza le funzionalità Dolby Digital® o DTS®) hanno una uscita subwoofer di livello linea. Altri hanno uscite di livello linea per i canali destro e sinistro,



come anche alcuni ricevitori stereo e amplificatori integrati. Tutti i processori surround e i preamplificatori stereo separati hanno uscite di livello linea. Queste uscite possono essere collegate agli ingressi principali di livello linea del subwoofer (Vedere figura 2). Saranno necessari uno o due cavi schermati di collegamento di ottima qualità, di lunghezza corretta e con connettori RCA alle due estremità. Il rivenditore potrà aiutare nella selezione di un cavo adatto. Qualora il sistema non fornisca tali uscite, sarà necessario collegare gli ingressi livello diffusore del subwoofer alle uscite diffusore del ricevitore o dell'amplificatore integrato (Vedere figura 3).

- **Uscita subwoofer** — Collegare il jack di uscita del subwoofer a uno dei jack di ingresso di livello linea sul subwoofer. Non utilizzare l'ingresso LFE Direct.
- **Uscite preamplificatore sul ricevitore o sull'amplificatore integrato** — Se il ricevitore o l'amplificatore integrato ha uscite di preamplificatore non utilizzate per i canali anteriori destro e sinistro, collegare tali uscite ai jack di ingresso di livello linea sul subwoofer.

- **Anelli di collegamento preamplificatore in uscita e principale in ingresso sul ricevitore o sull'amplificatore integrato** — In alcuni ricevitori e amplificatori integrati, gli stadi di preamplificazione e di amplificazione di potenza sono collegati esternamente tramite ponticelli. Se la vostra unità ha canali anteriori destro e sinistro collegati in questo modo, è possibile collegare il subwoofer a queste uscite del preamplificatore. Sarà necessario avere una coppia di adattatori a Y, ciascuno con due spinotti maschio RCA e un jack femmina RCA. Rimuovere i ponticelli per i due canali. Per ciascuno dei due, collegare un terminale dell'adattatore a Y nel jack di uscita del preamplificatore e uno nel jack di ingresso principale dell'amplificatore. Collegare i cavi che portano al subwoofer nei terminali femmina degli adattatori a Y.



- **Preamplificatore o processore surround separati** — Sarà necessario avere una coppia di adattatori a Y, ciascuno con uno spinotto maschio RCA e due jack femmina RCA. Scollegare i cavi provenienti dalle uscite anteriori destra e sinistra sul preamplificatore o processore e connettere gli adattatori a Y. Per ciascun canale, inserire il cavo che porta all'amplificatore di potenza in uno dei jack RCA nell'adattatore a Y e inserire il cavo che collega il subwoofer all'altro.
- **Uscite diffusori** — Collegare gli ingressi del livello diffusore del subwoofer alle uscite corrispondenti sul ricevitore o sull'amplificatore integrato come diffusori destro e sinistro. Per far ciò è necessario collegare una seconda serie di cavi dalle uscite dei diffusori destro e sinistro al subwoofer. Mantenere la polarità corretta, con le uscite positive (+, rosso) collegate agli ingressi positivi e le uscite negative (-, nero) collegate agli ingressi negativi. Accertarsi che non si verifichino contatti metallici tra il lato positivo e quello negativo dei connettori alle due estremità. In caso contrario l'amplificatore potrebbe non funzionare correttamente oppure potrebbe subire dei danni. Il subwoofer può essere collegato a un canale secondario o a un canale principale "B" di uscita dell'amplificatore se il volume dei diffusori principali non varia quando vengono selezionate entrambe le uscite.

Accensione — Impostare l'interruttore principale del subwoofer su "Off" prima di inserire il cavo di alimentazione nella presa di rete. Si può accendere o spegnere l'unità manualmente con l'interruttore oppure lasciare l'unità accesa ed attivare l'opzione di accensione automatica. Con tale opzione l'unità si accenderà automaticamente ogni volta che verrà percepito un segnale d'ingresso e si spegnerà dopo un periodo di inattività. Nella maggior parte dei sistemi si consiglia di mantenere attiva l'accensione automatica.

Regolazione — Iniziare impostando il valore di frequenza di crossover a un valore vicino al limite a bassa frequenza dei diffusori destro e sinistro. Se non si hanno a disposizione le specifiche tecniche si può stimare il valore in base alle dimensioni dei diffusori. Un diffusore più grande arriverà a frequenze più basse rispetto ad uno più piccolo. Per un diffusore da pavimento di grandi dimensioni si potrà iniziare con una frequenza di crossover di circa 40Hz, mentre per piccoli diffusori satellite si potrà alzarla fino a 120Hz. I tipici diffusori da scaffale sono normalmente tra i 50Hz e gli 80Hz. Se la frequenza di crossover è impostata ad un valore superiore a 100Hz, il subwoofer dovrà essere posizionato al centro della stanza, davanti ai diffusori anteriori principali.

Ascoltare musica contenente bassi potenti ma non eccessivi. Variare il controllo del livello del subwoofer fino a quando la musica non prende un tono caldo e naturale. Se non si riescono ad avere abbastanza bassi senza che il suono rimbombi, è probabile che la frequenza di crossover sia troppo alta. Abbassarla poco alla volta fino a quando il problema non venga risolto. Se il suono è troppo esile fino a quando non si alza il livello del subwoofer al punto che il basso diventa preponderante, iniziare variando il controllo di fase. Se questo non risolve completamente il problema, provare ad aumentare la frequenza di crossover.



Informazioni generali sulla regolazione: Le impostazioni di ciascun controllo influenzano le impostazioni ottimali degli altri controlli e spesso è necessaria un po' di pazienza per regolare il tutto in maniera ottimale. Se dopo aver ascoltato e calibrato alcune volte il risultato non è ancora soddisfacente, sarà necessario provare a posizionare il subwoofer in una posizione diversa. Ovviamente la nuova posizione influenzerà le altre impostazioni. Con un po' di pazienza e perseveranza si avrà un risultato eccezionale.

CURA E PULIZIA

Il subwoofer richiede solo di essere spolverato di tanto in tanto. Non utilizzare alcun detergente abrasivo, basato su solventi o troppo intenso. Per pulire la griglia utilizzare l'accessorio spazzola di un aspirapolvere.

CERTIFICAZIONI

Conforme alle norme UL6500 e CAN/CSA E60065; approvato secondo le direttive di verifica della Commissione Federale per le Comunicazioni (USA) Parte 15, quale dispositivo digitale di Classe B. Questo dispositivo digitale di classe B è conforme alla norma ICES-003 del Canada. Può recare la marcatura CE ed è conforme alle direttive della Unione Europea sulla bassa tensione (73/23/EEC) ed è conforme alle direttive della Unione Europea sulla compatibilità elettromagnetica (89/336/EEC).

GARANZIA APPLICABILE FUORI DEGLI USA E DEL CANADA

Se questo prodotto viene venduto fuori degli USA o del Canada, esso è coperto da una garanzia conforme alle leggi locali e la validità di tale garanzia è di esclusiva responsabilità del distributore del prodotto stesso. Per richiedere un intervento in garanzia rivolgersi al rivenditore o al distributore.

REFERENCE SERIES



INSTRUÇÕES IMPORTANTES DE SEGURANÇA

1. LEIA estas instruções.
2. GUARDE estas instruções.
3. SIGA todos os avisos.
4. SIGA todas as instruções.
5. NÃO USE este equipamento próximo de água.
6. LIMPE SOMENTE com um pano seco.
7. NÃO bloqueie nenhuma saída de ventilação. Faça a instalação de acordo com as instruções do fabricante.
8. Não instale próximo de nenhuma fonte de calor, como radiadores, fornos ou outros equipamentos (incluindo amplificadores) que produzam calor.
9. NÃO anule o efeito de segurança do plugue de aterramento ou polarizado. Um plugue polarizado tem dois terminais planos, um mais largo que o outro. Um plugue do tipo aterramento tem dois terminais planos e um terceiro pino para aterramento. O terminal plano mais largo e o terceiro pino são fornecidos para sua segurança. Se o plugue fornecido não encaixar na tomada, peça para um electricista trocar a tomada da parede.
10. PROTEJA o fio de energia para que ele não seja pisado ou esmagado, especialmente nos plugues, adaptadores e no ponto em que eles saem do equipamento.
11. USE SOMENTE acessórios/conexões especificados pelo fabricante.
12. USE somente com uma base, tripé, suporte ou mesa especificada pelo fabricante, ou vendida com o equipamento. Quando for usada uma base móvel, tenha cuidado ao movimentar a combinação base/equipamento para evitar ferimentos causados pelo tombamento da caixa.
13. DESCONECTE o equipamento durante tempestades de raios ou quando o equipamento não estiver sendo usado por um longo período de tempo.
14. Toda manutenção deve ser feita por pessoal qualificado. A manutenção só é necessária se o equipamento for danificado de alguma forma, como danos no cabo de energia, líquidos derramados ou objetos caídos dentro do equipamento, exposição do equipamento à chuva ou umidade, operação anormal ou queda do equipamento.



Este símbolo indica que existem importantes instruções de manutenção e operação na literatura que acompanha a unidade.



Este símbolo indica a presença de tensão perigosa que constitui um risco de choque elétrico.

ATENÇÃO: Para reduzir o risco de incêndio ou choques elétricos, não exponha o equipamento à umidade ou à chuva.



ATENÇÃO: Existem tensões perigosas neste equipamento. Não existem no equipamento peças que possam ser reparadas pelo usuário. Toda manutenção deve ser feita por pessoal qualificado. ATENÇÃO: Alterações ou modificações que não tenham sido expressamente aprovadas pelo fabricante podem tornar inválida a autoridade do usuário para operação deste dispositivo.

SOBRE SEU PRODUTO KLIPSCH

Obrigado por comprar o subwoofer Klipsch. Depois de ler este manual e fazer as conexões de seu sistema, você irá ouvir o resultado de 55 anos de rigorosa engenharia e de pesquisa e desenvolvimento inigualáveis no setor. Preencha, por favor, o cartão de garantia encontrado no final deste manual ou no site www.klipsch.com, para receber um atendimento ainda melhor. Novamente, agradecemos por escolher a Klipsch. Esperamos que seu subwoofer traga vida à sua música e a seus filmes por muitos anos.

DISPOSIÇÃO

Embora o subwoofer da linha Reference tenha um bom desempenho em uma ampla variedade de locais, você obterá os melhores resultados seguindo algumas orientações simples:

- Embora a posição do subwoofer não seja crítica, evite colocar a frente (alto-falante) do gabinete voltada para a parede.
- A saída do subwoofer aumentará à medida que for movida para mais perto das paredes, e o máximo de saída será obtido com o posicionamento em um canto. Se for possível, posicione sempre o subwoofer contra ou próximo de uma parede.
- Na maioria das salas, um subwoofer proporcionará a melhor resposta de graves quando posicionado em um canto sem aberturas, como portas.
- Se utilizar mais de um subwoofer, você obterá o melhor resultado posicionando-os juntos, em vez de separados.

CONEXÃO E AJUSTES

Faça todas as conexões com a energia do subwoofer e do amplificador principal desligadas. O subwoofer tem três conjuntos de conexões de entrada no painel traseiro: (1) um plugue RCA Efeito de Baixa Frequência (LFE) direto que não passa pelo crossover interno, (2) um par de plugues RCA para entrada stereo (ou mono) em nível de linha e (3) um conjunto de terminais para conexão às saídas para caixas acústicas de um receptor ou de um amplificador. Além disso, há outros 4 controles no painel traseiro: (1) Main Power (Energia); (2) Auto Power On/Off (Liga/Desliga Automático); (3) Phase (Fase) e (4) Lowpass Crossover Frequency (Crossover de Frequência Passa-baixa). O controle de Nível de Volume está localizado no painel superior direito do subwoofer.

Conexão do receptor ou processador digital surround — Os receivers e processadores Dolby Digital® (AC-3) e DTS® digital surround têm saídas de subwoofer em nível de linha e crossovers internos nos subwoofers. Se o seu sistema usar um desses tipos, quase sempre será melhor conectar a saída do subwoofer no receptor ou processador à entrada LFE direta do subwoofer (Veja a Figura 1). Isto evitará a passagem através do crossover interno do subwoofer e só deve ser feito se o receptor puder controlar isto internamente. Utilize para o subwoofer um cabo de interconexão blindado, de alta qualidade e de comprimento adequado, com plugues RCA em cada extremidade. Seu representante pode indicar um cabo adequado. Certifique-se de configurar Subwoofer, no menu de configuração do receptor ou processador, como On ou Yes. O receptor ou processador pode ter recursos adicionais de controle de graves, além da simples ativação do subwoofer. Consulte o manual do proprietário do receptor ou processador, ou seu representante, para obter mais informações sobre a configuração adequada de controle

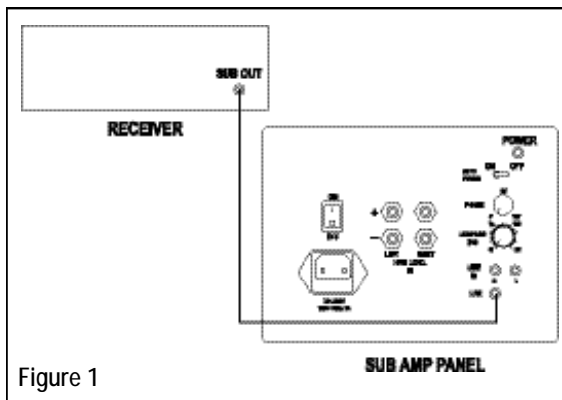


Figure 1

de graves para seu sistema.

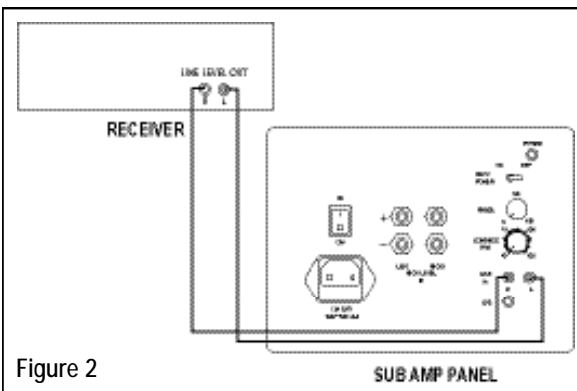
Energia — Configure o interruptor Main Power (Liga/Desliga) para Off. Em seguida, conecte o cabo de energia a uma tomada. Você pode ligar e desligar a energia manualmente, usando o interruptor, ou pode deixar o Main Power ligado e configurar o interruptor Auto Power (liga e desliga automático) como On. Isto ligará automaticamente o subwoofer quando for detectado um sinal em uma das entradas e o desligará automaticamente após um período de inatividade. Recomendamos manter o Auto Power em On para a maioria dos sistemas.

Ajuste de crossover — Se você utilizar a entrada LFE direta, não utilizará o controle de Frequência de Crossover na parte traseira do painel. O receiver ou processador executará a função de crossover. A maioria usa uma única frequência, entre 80Hz e 100Hz. Se o receiver ou processador oferecer uma escolha de frequências, 80Hz é geralmente um bom ponto de partida. Consulte a seção de ajustes para obter mais informações. Se for o caso, comece com a frequência mais próxima do limite de baixa frequência especificado para a menor caixa acústica do sistema. Depois de concluir os outros ajustes, movimente a frequência ligeiramente para cima ou para baixo, para ver se um ajuste um pouco diferente produz um resultado melhor. Se a frequência de crossover for configurada como mais alta que 100Hz, o subwoofer deve ficar na frente da sala, próximo às caixas acústicas frontais principais.

Controle de volume — Ajuste o nível (Level) do subwoofer para obter uma transição suave entre a saída do subwoofer e das caixas acústicas principais. O receiver ou processador terá um controle de nível de subwoofer no menu de configuração de caixas acústicas. Isto significa que você terá de ir e voltar algumas vezes entre este controle e o do próprio subwoofer até encontrar a combinação ideal. No final, o controle do menu deve ficar em algum lugar próximo ao meio da escala. Procure um ajuste de graves que seja sólido, mas não excessivo ou retumbante.

Controle de fase — Em algumas instalações, o ajuste do Controle de Fase pode não fazer muita diferença, enquanto que em outras pode ser necessário ir e voltar entre os controles de fase e de nível para obter a melhor combinação com as caixas acústicas principais. Uma vez que cada ajuste de controle (incluindo o controle de frequência de crossover no receiver ou processador) afeta os ajustes ótimos dos outros, muitas vezes leva algum tempo para deixar tudo no melhor ajuste. Comece com o botão de fase em 0° e toque uma música com graves evidentes e repetitivos no local onde estará sentado para ouvir o som. Repita este processo com o controle entre as posições de 90° e 180°. Utilize os ajustes que produzam a melhor saída de graves.

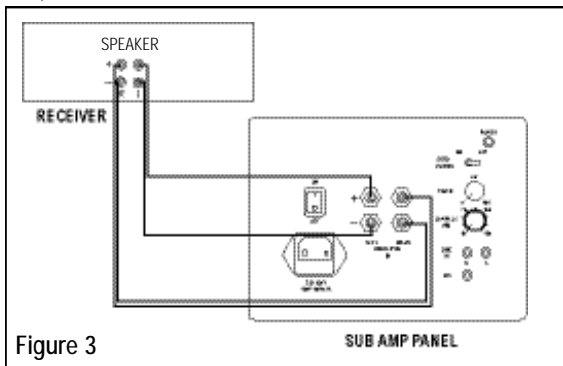
Processador/receiver surround analógico ou conexão de sistema stereo de dois canais — Alguns processadores e receivers de áudio/vídeo analógicos (sem recursos Dolby Digital® ou DTS®) têm uma saída de subwoofer em nível de linha. Outros têm saídas em nível de linha separadas para os canais direito e esquerdo, como alguns receivers e amplificadores integrados stereo. Todos os pré-amplificadores stereo e processadores surround separados têm saídas em



nível de linha. Estas saídas podem ser conectadas às entradas principais em nível de linha do subwoofer (Veja a Figura 2). Utilize um ou dois cabos de interconexão blindados, de alta qualidade e de comprimento adequado, com plugues RCA em cada extremidade. Seu representante pode indicar os cabos adequados. Se o sistema não fornecer estas saídas, será necessário conectar as entradas Speaker Level do subwoofer às saídas de caixa acústica do receiver ou do amplificador integrado (Veja a Figura 3).

- **Saída do subwoofer** — Conecte o plugue de saída do subwoofer a um dos plugues de entrada em nível de linha do subwoofer. Não use a entrada LFE direta.
- **Saídas de pré-amplificador no receiver ou no amplificador integrado** — Se o receiver ou amplificador integrado tem saídas de pré-amplificador adicionais para os canais frontais direito e esquerdo, conecte-as aos plugues de entrada em nível de linha no subwoofer.

- **Enlaces saída pré/entrada Main em receivers ou amplificadores integrados** — Alguns receivers e amplificadores integrados têm estágios de pré-amplificador e de potência conectados por via externa, através de jumpers. Se o seu equipamento tem os canais frontais direito e esquerdo conectados desta forma, você pode conectar o subwoofer às saídas do pré-amplificador. Você precisará de um par de adaptadores Y, cada um com dois plugues RCA macho e um plugue RCA fêmea. Remova os jumpers para os dois canais. Para cada um, conecte uma perna do adaptador Y no plugue de saída do pré-amplificador e outra no plugue de entrada do amplificador principal. Conecte os cabos ligados ao subwoofer nas extremidades fêmea dos adaptadores Y.



- **Pré-amplificador ou processador surround separado** — Você precisará de dois adaptadores Y, cada um com um plugue RCA macho e dois plugues RCA fêmea. Desconecte os cabos que saem das saídas de canais frontais direito e esquerdo no pré-amplificador ou processador e conecte os adaptadores Y neles. Para cada canal, conecte o cabo ligado ao amplificador de potência em um dos plugues RCA no adaptador Y e o cabo ligado ao subwoofer no outro.
- **Saídas de Caixas Acústicas** — Conecte as entradas Speaker Level às mesmas saídas do receiver ou amplificador integrado que as caixas acústicas frontais direita e esquerda. Isto significa passar um segundo conjunto de fios das saídas das caixas acústicas direita e esquerda até o subwoofer. Mantenha a polaridade correta, com as saídas positivas (+, vermelho) conectadas às entradas positivas e as saídas negativas (-, preto) conectadas às entradas negativas. Certifique-se de que não há contato de metal com metal entre os lados positivo e negativo em nenhuma conexão em nenhuma extremidade. Se você não tiver este cuidado, pode ocorrer o mau funcionamento ou o dano do amplificador. O subwoofer pode ser conectado a uma saída de canal secundária ou B do amplificador se o volume das caixas acústicas principais não for afetado quando ambas as saídas forem selecionadas.

Energia — Configure o interruptor Main Power para Off. Em seguida, conecte o cabo de energia a uma tomada. Você pode ligar e desligar a energia manualmente, usando o interruptor, ou pode deixar o Main Power ligado e configurar o interruptor Auto Power (liga e desliga automático) como On. Isto ligará automaticamente o subwoofer quando for detectado um sinal em uma das entradas e o desligará automaticamente após um período de inatividade. Recomendamos o Auto Power em On para a maioria dos sistemas.

Ajuste — Comece ajustando o controle de Frequência de Crossover no limite aproximado de baixa frequência das caixas acústicas principais frontais direita e esquerda. Se você não tiver as especificações, faça uma estimativa com base no tamanho das caixas. Uma caixa acústica grande geralmente trabalha com frequências mais baixas que uma caixa pequena. Portanto, para uma caixa acústica tipo torre grande, você provavelmente deve começar com uma frequência de crossover bem baixa, em 40Hz, enquanto que, para caixas satélites pequenas, você provavelmente deve usar 120Hz. As caixas acústicas compactas tendem a ficar na faixa de 50Hz a 80Hz. Se a frequência de crossover for configurada como mais alta que 100Hz, o subwoofer deve ficar na frente da sala, próximo às caixas acústicas frontais principais.

Toque várias músicas contendo graves fortes, mas não excessivos. Ajuste o controle Level do subwoofer até que a música soe natural. Se você tiver problemas para obter graves suficientes, sem que o som se torne retumbante, isto provavelmente significa que a frequência de crossover foi ajustada com um valor muito alto. Tente reduzir pouco a pouco até que o problema desapareça. Se o som estiver "magro" até que você aumente o nível do subwoofer até um ponto em que o grave fica predominante, comece pela variação do ajuste do controle de fase. Se isto não resolver o problema, você provavelmente precisa elevar a frequência de crossover.

REFERENCE SERIES



Comentários gerais sobre ajustes: Uma vez que cada ajuste de controle tende a afetar os ajustes ótimos dos outros, o processo de ajuste é bastante interativo e envolve uma boa dose de tentativa e erro. Se depois de um período de audição e calibração você ainda não estiver satisfeito, pode ser necessário experimentar um pouco com a localização do subwoofer. Isto, é claro, afeta todas as outras partes do sistema. Seja paciente. O resultado final compensa o esforço.

MANUTENÇÃO E LIMPEZA

A única coisa que você vai precisar fazer com seu subwoofer é remover a poeira de vez em quando. Nunca use limpadores abrasivos ou à base de solventes e detergentes fortes. Você pode limpar a grade com o acessório de escova de um aspirador de pó.

CERTIFICAÇÕES

O sistema está em conformidade com a UL6500 e a CAN/CSA E60065; aprovado sob provisão de verificação da FCC Part 15 como um dispositivo digital classe B. Este equipamento digital classe B está em conformidade com a regulamentação canadense ICES-003. Está qualificado para exibir a marca CE; está em conformidade com a Diretriz de Baixa Tensão da União Europeia 73/23/EEC; está em conformidade com a Diretriz EMC da União Europeia 89/336/EEC.

GARANTIA FORA DOS ESTADOS UNIDOS E CANADÁ

A garantia deste produto, quando vendido para um cliente fora dos Estados Unidos ou Canadá, deve estar de acordo com a legislação em vigor e é de inteira responsabilidade do distribuidor que vendeu o produto. Para obter os serviços aplicáveis previstos na garantia, entre em contato com o representante de quem você comprou o produto ou com o distribuidor do produto.



IMPORANTES INSTRUCCIONES DE SEGURIDAD

1. LEA estas instrucciones.
2. GUARDE estas instrucciones.
3. RESPETE todas las advertencias.
4. SIGA todas las instrucciones.
5. NO use este dispositivo cerca del agua.
6. LIMPIELO SOLAMENTE con un paño seco.
7. NO bloquee los orificios de ventilación. Instálelo de acuerdo con las instrucciones del fabricante.
8. NO lo instale cerca de fuentes de calor tales como radiadores, rejillas de calefacción, cocinas u otros aparatos (incluyendo amplificadores) que generen calor.
9. NO neutralice la característica de seguridad del enchufe polarizado o con clavija de conexión a tierra. Los enchufes polarizados tienen dos patas y una es más ancha que la otra. Los enchufes con clavija de conexión a tierra tienen dos patas y una clavija de conexión a tierra. La pata ancha o la clavija son características de seguridad. Si el enchufe del dispositivo no entra en el enchufe de pared, consulte a un electricista para que cambie el enchufe de pared obsoleto.
10. PROTEJA el cordón de alimentación. Evite que lo aprieten o lo doblen en exceso o que lo pisén, especialmente en el punto en que el cordón se une al enchufe, el punto en que el cordón sale del dispositivo y cuando el dispositivo está enchufado.
11. USE SOLAMENTE los accesorios especificados por el fabricante.
12. USE este dispositivo solamente en un carrito, base, trípode, soporte o mesa especificado por el fabricante o vendido con el producto. Cuando use un carrito, tenga cuidado al mover el carrito con el dispositivo encima para evitar lesiones si el conjunto se vuelca.
13. DESENCHUFE este dispositivo cuando haya tormentas eléctricas o cuando no se durante largos periodos de tiempo.
14. REMITA todas las reparaciones al personal de servicio calificado. Acuda a un profesional si el dispositivo ha sufrido desperfectos tales como que se ha dañado el enchufe o el cordón de alimentación, el dispositivo se ha dejado caer, parece no funcionar correctamente o ha estado expuesto a la lluvia o a la humedad, o han caído objetos o se ha derramado líquido en su interior.



Este símbolo indica que el manual que acompaña a esta unidad contiene instrucciones importantes sobre operación y mantenimiento.



Este símbolo indica que hay voltaje peligroso que constituye un peligro de descarga eléctrica dentro de esta unidad.

ADVERTENCIA: Para reducir el riesgo de incendio o descarga eléctrica, no exponga este aparato a la lluvia o a la humedad.



ADVERTENCIA: Los voltajes de este equipo constituyen un peligro de muerte. No hay piezas que el usuario pueda reparar dentro del dispositivo. Remita todas las reparaciones al personal de servicio calificado.

PRECAUCIÓN: Los cambios o modificaciones que el fabricante no apruebe expresamente pueden anular la autoridad del usuario para operar este dispositivo.

ACERCA DE SU COMPRA KLIPSCH

Gracias por comprar este subwoofer de Klipsch. Después de leer este manual y conectar el sistema, usted podrá escuchar el resultado de más de 55 años de rigurosa ingeniería acompañada de investigación y desarrollo a la vanguardia de su clase. No olvide llenar la tarjeta de garantía en línea en www.klipsch.com o al dorso de este manual para que podamos prestarle mejor servicio. Nuevamente le agradecemos que haya escogido a Klipsch y esperamos que su subwoofer dé vida a su música y a sus películas durante muchos años.

UBICACIÓN

Aunque los subwoofers de la serie Reference funcionan bien en una amplia variedad de ubicaciones, el mejor rendimiento se obtiene siguiendo las siguientes simples indicaciones:

- Aunque la orientación del subwoofer no es de importancia crítica, evite colocar el lado de adelante de la caja (que es donde está el excitador) contra una pared.
- El rendimiento del subwoofer aumenta a medida que se acerca a las paredes y alcanza su máximo cuando el subwoofer se coloca en un rincón. Si es práctico, coloque siempre el subwoofer contra una pared o cerca de una pared.
- En la mayoría de las salas, el subwoofer produce la respuesta de bajos más uniforme cuando se coloca en un rincón lejos de las aberturas de la sala, tales como las puertas.
- Si usted tiene más de un subwoofer, por lo general obtendrá el mejor rendimiento colocándolos en la misma área en lugar de separarlos.

CONEXIÓN Y AJUSTE

Haga todas las conexiones con el subwoofer y el amplificador principal apagados. El subwoofer tiene tres conjuntos de conexiones en el panel trasero: (1) un conector único RCA de Efectos de Bajas Frecuencias (Low Frequency Effects, LFE) directos que pasa por alto el crossover interno; (2) un par de conectores RCA para entrada de línea estéreo (o monofónica); y (3) un conjunto de terminales para conectar las salidas de altavoces de un receptor o un amplificador. Además hay cuatro controles en el panel trasero: (1) alimentación principal; (2) alimentación automática; (3) fase y (4) frecuencia de crossover de pasabajas. El control de volumen está en el panel del lado superior derecho del subwoofer.

Conexión del procesador o receptor surround digital.

Los receptores y procesadores con el surround digital Dolby Digital® (AC-3) y DTS® de hoy en día tienen salidas de línea para subwoofer y crossovers de subwoofer incorporados. Si su sistema se basa en uno de estos dispositivos, casi siempre lo mejor es conectar la salida de subwoofer del receptor o procesador a la entrada de LFE directos del subwoofer (Vea la Figura 1). Esto pasa por alto el crossover interno del subwoofer y sólo se debe hacer si los crossovers se pueden administrar internamente en el receptor. Use un cable de interconexión de subwoofer blindado de alta calidad de la longitud correcta con enchufes RCA en ambos extremos. Su distribuidor puede ayudarle a seleccionar el cable apropiado. Asegúrese de seleccionar "Encendido" ("On") o "Si" ("Yes") en la opción de subwoofer del menú de configuración de altavoces del procesador o receptor. Además de la simple activación de la salida de subwoofer, su receptor o procesador puede tener capacidades adicionales de administración de bajos. Consulte a su distribuidor o vea el manual del propietario del procesador o receptor para obtener mayor información sobre los ajustes correctos de administración de bajos de su sistema.

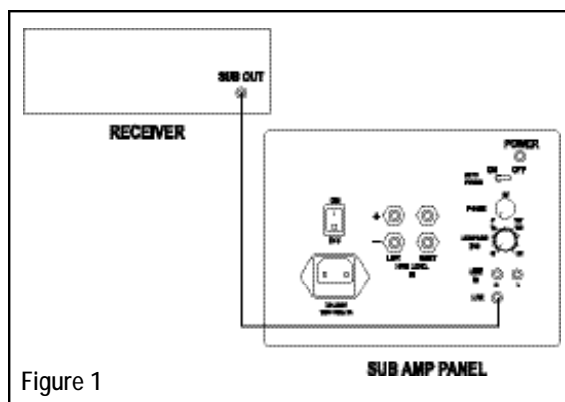


Figure 1

Alimentación. Fije el interruptor de alimentación principal del subwoofer en "Apagado" ("Off"). Luego enchufe el cordón de alimentación en un enchufe de CA. El subwoofer se puede encender a mano con este interruptor o se puede dejar encendido y fijar el interruptor de alimentación automática en "Encendido" ("On") para que el subwoofer se encienda automáticamente cuando detecte una señal en una de las entradas después de un periodo de inactividad. En la mayoría de los casos recomendamos dejar la alimentación automática encendida.

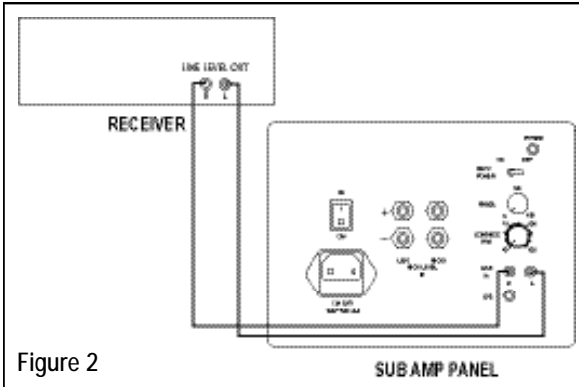


Ajuste de crossover — Usar la entrada de LFE directos hace pasar por alto el control de frecuencia de crossover ubicado en el panel trasero. Su receptor o procesador se encargará de la función de crossover. La mayoría de los receptores o procesadores usan una frecuencia fija única entre 80Hz y 100Hz. Si su receptor o procesador le da a usted a escoger la frecuencia de crossover, 80Hz es por lo general un buen punto de partida. Consulte la sección de ajustes para obtener más información. Comience con la frecuencia que más se aproxima al límite de frecuencias bajas especificado para el altavoz más pequeño del sistema. Después de completar los otros ajustes, es recomendable experimentar subiendo o bajando la frecuencia un poco para ver si alguna configuración distinta suena un poco mejor. Si la frecuencia de crossover se fija en más de 100Hz, el subwoofer debe estar en la parte de adelante de la sala cerca de los altavoces principales frontales.

Control de volumen — Ajuste el subwoofer de manera que haya una transición sin altibajos entre la salida de subwoofer y la salida de los altavoces principales. Su receptor o procesador tiene un control de volumen de subwoofer en el menú de configuración, así es que usted deberá pasar varias veces del control de volumen del subwoofer al control de volumen de subwoofer del procesador o receptor y viceversa. Finalmente, el control de volumen del menú debe quedar aproximadamente al medio. Intente producir bajos sólidos pero no excesivos o estruendosos.

Control de fase — En algunas instalaciones, la configuración del control de fase puede no causar gran diferencia; en otras, puede ser necesario pasar varias veces del control de fase a los controles de volumen y viceversa para obtener la mejor combinación de sonido de subwoofer y de altavoces principales. Como cada control (incluso el de frecuencia de crossover del receptor o procesador) afecta la configuración óptima de los otros, a veces se tarda un poco en lograr que todo quede bien. Comience con la perilla de fase en 0° y, estando en la posición del oyente, toque una grabación que tenga una línea de bajos prominente y repetitiva. Repita el proceso con el control de fase en 90° y 180°. Deje la configuración que produzca el mayor rendimiento de bajos.

Conexión de procesadores o receptores de surround analógico o sistemas estéreo de dos canales — Algunos receptores y procesadores analógicos A/V (sin capacidad de Dolby Digital® o DTS®) tienen una salida de línea para subwoofer. Otros tienen salidas de línea para canal derecho



e izquierdo, al igual que ciertos receptores estéreo y amplificadores integrados. Todos los procesadores surround y preamplificadores estéreo separados tienen salidas de línea. Estas salidas se pueden conectar a las entradas de línea del subwoofer (Vea la Figura 2). Va a necesitar uno o dos cables interconectores de alta calidad y longitud apropiada con conectores RCA en ambos extremos. Su distribuidor puede ayudarle a seleccionar los cables apropiados. Si su sistema no tiene ninguna de estas salidas, va a tener que conectar las entradas de altavoz del subwoofer a las salidas de altavoz del receptor o amplificador integrado (Vea la Figura 3).

- Salida de subwoofer. Conecte la salida de subwoofer del procesador, receptor o sistema a una de las entradas de línea del subwoofer. No use la entrada de LFE directos.
- Salidas de preamplificador en el receptor o amplificador integrado. Si su receptor o amplificador integrado tiene salidas adicionales de preamplificador, para los canales derecho e izquierdo, conéctelas a las entradas de línea del subwoofer.

- **Bucles de salida de preamplificador y entrada al amplificador principal en el receptor o amplificador integrado** — Ciertos receptores y amplificadores integrados tienen las etapas de preamplificación y amplificación conectadas externamente por medio de puentes. Si el suyo tiene canales frontales derecho e izquierdo conectados de esta manera, usted puede conectar el subwoofer a esas salidas de preamplificador. Va a necesitar un par de adaptadores en Y con dos enchufes RCA macho y un enchufe RCA hembra. Quite los puentes de los dos canales. En cada uno de los canales, enchufe una pata del adaptador en Y en la salida del preamplificador y la otra en la entrada del amplificador principal. Enchufe los cables que van al subwoofer en los extremos hembra de los adaptadores en Y.

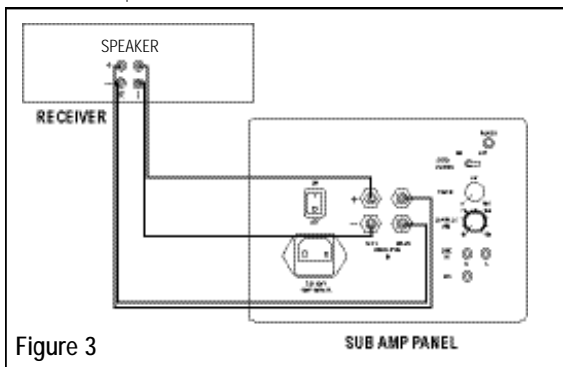


Figure 3

- **Preamplificador o procesador surround separado.** Va a necesitar un par de adaptadores en Y con un enchufe RCA macho y dos enchufes RCA hembra. Desenchufe los cables de las salidas de canal derecho e izquierdo del preamplificador o procesador y enchúfeles los adaptadores en Y. En cada canal, enchufe el cable que va al amplificador en uno de los conectores RCA del adaptador en Y y el cable que va al subwoofer en el otro.
- **Salidas de altavoces.** Conecte las entradas de altavoz del subwoofer a las salidas del receptor o amplificador integrado a las cuales están conectados los altavoces derecho e izquierdo. Esto implica conectar un segundo juego de cables desde las salidas de altavoz izquierda y derecha hasta el subwoofer. Mantenga la polaridad correcta conectando las salidas positivas (+, rojo) a las entradas positivas y las salidas negativas (-, negro) a las entradas negativas. No debe haber contacto de metal a metal entre los lados negativo y positivo de ninguna conexión en ninguno de los extremos. No seguir esta recomendación puede causar daños o falla de amplificador. El subwoofer se puede conectar a una salida de canal principal "B" o a una salida secundaria de su amplificador si el volumen de los altavoces principales no se ve afectado cuando se seleccionan las dos salidas.

Alimentación. Fije el interruptor de alimentación principal del subwoofer en "Apagado" ("Off"). Luego enchufe el cordón de alimentación en un enchufe de CA. El subwoofer se puede encender a mano con este interruptor o se puede dejar encendido y fijar el interruptor de alimentación automática en "Encendido" ("On") para que el subwoofer se encienda automáticamente cuando detecte una señal en una de las entradas después de un período de inactividad. En la mayoría de los casos recomendamos dejar la alimentación automática encendida.

Ajuste. Comience fijando el control de frecuencia de crossover aproximadamente en el límite inferior de frecuencias de sus altavoces frontales principales derecho e izquierdo. Si no tiene las especificaciones, haga una estimación razonable en función del tamaño de los altavoces. Los altavoces grandes normalmente aceptan frecuencias más bajas que los altavoces pequeños. Por lo tanto, para un altavoz de piso grande, usted puede comenzar bajando la frecuencia de crossover hasta 40Hz; en el caso de altavoces satélite muy pequeños es recomendable subir la frecuencia hasta 120Hz. Los altavoces de estantería típicos tienden a estar en el intervalo de frecuencias entre 50Hz y 80 Hz. Si la frecuencia de crossover se fija en más de 100Hz, el subwoofer debe estar en la parte de adelante de la sala cerca de los altavoces principales frontales.

Toque una variedad de grabaciones de música que contengan bajos fuertes pero no abrumadores. Ajuste el control de volumen del subwoofer hasta que la música suene cálida y natural. Si tiene problemas para lograr suficientes bajos sin que el sonido se vuelva estruendoso, es probable que la frecuencia de crossover sea muy elevada. Intente bajarla de a poco hasta que el problema desaparezca. Si el sonido se mantiene poco intenso hasta que el volumen del subwoofer se aumenta hasta el punto en que el bajo inferior es demasiado prominente, comience por cambiar el control de fase. Si eso no resuelve completamente el problema, es probable que sea necesario aumentar la frecuencia de crossover.



Comentario general sobre ajustes: Como todo cambio en un control tiende a cambiar los valores óptimos de los otros en cierta medida, el proceso de ajuste es muy interactivo e involucra una gran medida de ensayo y error. Si después de un cierto periodo de audición y calibración usted sigue insatisfecho, puede ser necesario experimentar con la ubicación del subwoofer. Eso por supuesto interactúa con todo lo demás. Reiteramos que la paciencia es una virtud. El resultado final habrá valido la pena.

CUIDADO Y LIMPIEZA

Lo único que se necesita para limpiar el subwoofer es quitarle el polvo de vez en cuando. No le aplique nunca limpiadores a base de solvente o detergentes fuertes. La rejilla se puede limpiar con el accesorio de escobilla de la aspiradora.

CERTIFICACIONES

Cumple con las normas UL6500 y CAN/CSA E60065. Aprobado como dispositivo digital clase B bajo la disposición de verificación de la Parte 15 del reglamento de la FCC. Este aparato digital clase B cumple con la norma canadiense ICES-003. Tiene derecho a llevar la marca CE. Cumple con la directriz 73/23/EEC de bajo voltaje de la Unión Europea. Cumple con la directriz EMC 89/336/EEC de la Unión Europea.

GARANTÍA FUERA DE LOS ESTADOS UNIDOS Y CANADA

Si este producto se vende a un consumidor fuera de los Estados Unidos o Canadá, la garantía deberá cumplir con las leyes correspondientes y será responsabilidad exclusiva del distribuidor que lo suministró. Para obtener cualquier servicio de garantía aplicable, comuníquese con el minorista que le vendió este producto o con el distribuidor que lo suministró.

REFERENCE SERIES



有關安全的重要說明

1. 請閱讀這些說明。
2. 請保留這些說明。
3. 請留意所有警告。
4. 請遵守所有說明。
5. 請勿在水邊使用此設備。
6. 僅使用乾布清潔。
7. 請勿堵塞任何通風孔。請按照廠家說明進行安裝。
8. 請勿把該設備安裝在靠近熱源的地方，譬如：散熱器、保溫裝置、火爐或其他產生熱量的裝置（包括放大機）。
9. 請勿破壞犧牲插頭或接地插頭的安全功能。犧牲插頭有兩個插頭片，其中一個比另一個寬。接地插頭有兩個插頭片外加一個接地頭。採用的插頭和外加接地頭是出於安全考慮。如果所提供的插頭不能合適地插到您的插座上。請接洽電氣技術人員更換該老式插座。
10. 請防止在拆卸時碰到電線線上，防止電線線處於疲勞狀態，特別是在插頭處、便利插頭處和其他有設備電線線的地方。
11. 請備用廠家規定的附件。
12. 請備用廠家規定的手推車、支架、三腳架、托架或桌子，或使用與此設備一起出售的這些物品。僅使用手推車時，移動載有設備的車輛時要小心，以防止車輛翻覆。
13. 雷雨時或設備長期不用時，請拔下設備的電源插頭。
14. 有關所有維修事宜請接洽有資格的維修人員。無論因為何種原因造成設備損壞時，均需要對設備進行維修。譬如電線線或插頭損壞，液體洩漏到設備上或物體掉落到設備上，設備暴露于雨水或潮氣中，設備無法正常運行，或設備曾經跌落。



此標記表示在隨裝運提供的文件中有重要的操作維護說明。



此標記表示裝置內有危險電壓，可導致觸電。

警告：降低了火災或觸電的危險，請勿把設備暴露于雨水或潮氣中。



警告：此設備中的電壓對人身構成危險。設備內沒有需要用戶維修的部件。有關維修事宜請接洽有資格的維修人員。

注意：未經製造商明確認可的改變或修改有可能使本設備的用戶使用權變得無效。

購買 KLIPSCH 產品說明

感謝您購買 Klipsch 超低音揚聲器。在閱讀完本手冊並連接好音響系統之後，您將聽到該音響系統發出的美妙聲音，這種美妙動聽的聲音源自五十五年多來嚴格的工程研發和業內領先的研發成果。請務必填寫本手冊後附的質量保證卡，或上網 www.klipsch.com 填寫品質保證卡，使我們能為您提供更好的服務。再次感謝您購買 Klipsch 產品，我們希望 Klipsch 音響伴隨您多年，在為您播放音樂和電影時，帶給您身臨其境的享受。

擺放

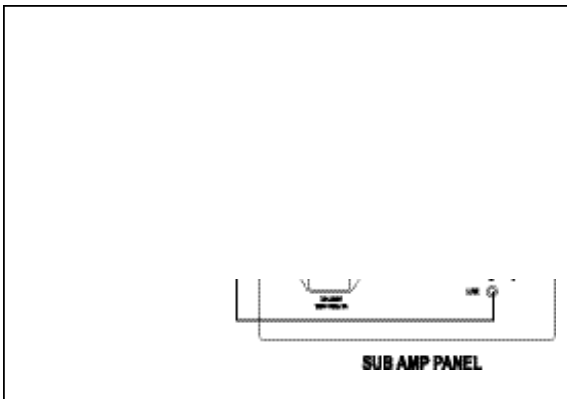
雖然參考系列超低音揚聲器在大多數場合均表現良好，但是如果您能按照下面一些簡單說明擺放音箱，您將得到最佳效果：

- 超低音揚聲器的擺放方向並不十分嚴格，但是要避免把超低音揚聲器擺在櫃的前面（驅動器）對著擺放。
- 隨著超低音揚聲器向牆壁方向移動，其輸出也隨之增加。當超低音揚聲器擺放到角落時，它會產生最大輸出。請儘可能把超低音揚聲器靠牆擺放或擺放在櫃的附近。
- 在大多數的房間裏，如果超低音揚聲器擺放在遠離門一類的房間開口的角落，則超低音揚聲器會產生和諧悅耳的低音。
- 如果您使用一個以上的超低音揚聲器，通常，您可以把它們一起擺放在同一區域內，這樣可以產生最佳音響效果。

運轉和調整

要在切斷超低音揚聲器和主機大機的電源的情況下進行運轉。超低音揚聲器後面板上有三組輸入連接口：（1）一個旁路內部分頻器的 LFE 直通 RCA 型同軸插座；（2）一對用於線路電平信號（或單聲道）輸入信號的 RCA 型同軸插座；（3）一組用於連接接收機或擴大機上的揚聲器輸出的接線端子。此外，在後面板上有四個控制裝置：（1）主電源開關（2）自動電源開/關；（3）相位控制（4）低通分頻頻率設置。音量電平控制裝置位於超低音揚聲器的右上面板上。

數位環繞接收機或處理器連接 - 當今的 Dolby Digital® (AC-3) 和 DTS® 數位環繞接收機和處理器配有超低音揚聲器輸出和內置超低音揚聲器分頻器。如果您的系統是圍繞其中一種技術設計製造的，那麼您最好把環繞接收機或處理器的超低音揚聲器輸出端連接到超低音揚聲器 LFE 直通輸入端（見圖 1）。這樣做可以旁路超低音揚聲器內部的分頻器，但是只有在接收機內部可以處理分頻時才能這樣做。請使用適當長度的高品質的線或超低音揚聲器互聯電纜進行連接，電纜兩頭均應配有 RCA 型同軸插頭。經過而會幫助您選擇合適的電纜，請確保進入接收機或處理器的揚聲器設定功能並把超低音揚聲器設定為“On（開啟）”或“yes（是）”。您的接收機或處理器除了具有激勵超低音揚聲器輸出的功能外還可能附加低音管理功能。如需詳細瞭解如何在系統上正確設置低音管理功能，請查閱接收機或處理器的使用手冊，或接洽經銷商。



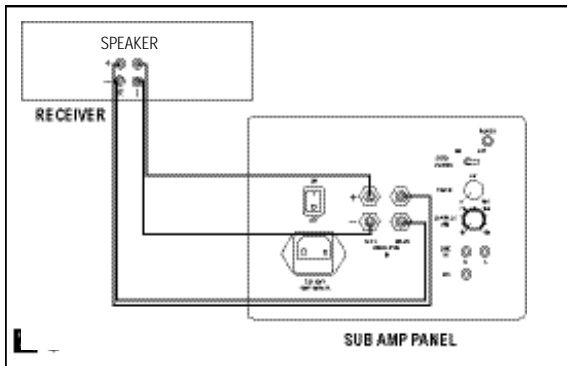
電源 - 把超低音揚聲器的主電源開關設置為“On（開閉）”，然後把電源插到交流電源插座上。您可利用此電源開關手動接通或斷開電源。您也可以把主電源開關保持為接通狀態，並把自動電源開關設定為“On（接通）”。此自動開關在任何一個輸入端檢測到信號後，均會自動開啟超低音揚聲器，而當檢測到在一定時間內沒有信號時，會自動關閉超低音揚聲器。我們建議您在大多數系統中，把自動電源開關設置為“On（接通）”。

分頻器調整 - 使用LFE 直接輸入線可以旁路在機面板上的分頻頻率控制裝置。接收機或處理機將控制分頻功能。多數人使用80Hz 和100Hz 之間的一個、一起頻率。如果接收機或處理機讓您選擇分頻頻率，那麼一開始通常把分頻頻率設置為80Hz較好。詳見調整部分說明。在這種情況下，無論對

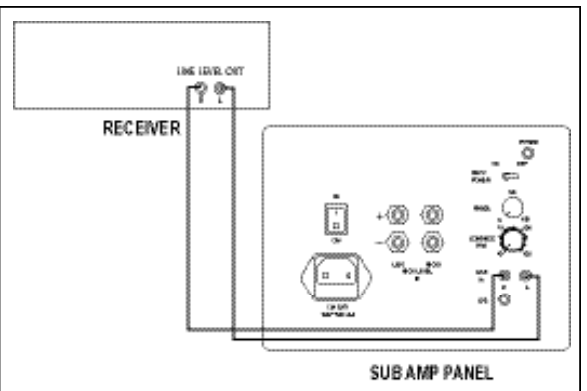
音量控制 - 調整超低音揚聲器音量，使超低音揚聲器輸出和主揚聲器的輸出之間接合協調。在接收機或處理機的揚聲器設定功能表上有超低音揚聲器音量控制項，您必須反覆調整幾次此功能表和超低音揚聲器本身所帶音量控制項。最終，您將停止在功能表控制範圍內中間的某位置，使低音醇厚而不過分。

相位控制 - 在某些安裝場合，設置相位控制功能沒有多大的作用，但是在其他安裝場合，也許有必要在相位控制和音量控制之間反覆調整，使超低音揚聲器和主揚聲器實現最佳融合。對於每個控制設置（包括接收機或處理機中的分頻頻率設置）均會影響其他設置的最佳設定，所以通常需要花一定時間調整各項設置以獲得最佳效果。首先把相位旋鈕調整到0°，然後播放可以在收聽位置明顯聽到的重複低音流。用旋轉90°和180°位置重複此過程。選用可以產生最大低音輸出效果的位置。

類似環繞接收器/處理器或雙聲道身歷聲系統的連接 - 某些類比音頻/視頻接收機和處理機（不帶杜比數位（Dolby Digital）功能或DTS功能）配有連接超低音揚聲器的線路音輸出。另外一些接收機和處理機配有左右聲道線路音輸出。就像某些身歷聲接收機和綜合擴大機一樣。所有分立式身歷聲前置擴大機和環繞處理器配有線路音輸出。這些輸出可以連接到超低音揚聲器的主線路音輸入口上。（參見圖2）您需要使用一條或兩條高



質量、線罩式互換電纜進行連接，電纜長度要適當且兩頭帶RCA型同芯插頭。您的標頭用鉗助您選擇適當的電纜。如果您的系統不提供這些輸出口，則您需要把超低音揚聲器的揚聲器音輸入口連接到接收機或綜合擴大機的揚聲器輸出線上。（參見圖3。）



質量、線罩式互換電纜進行連接，電纜長度要適當且兩頭帶RCA型同芯插頭。您的標頭用鉗助您選擇適當的電纜。如果您的系統不提供這些輸出口，則您需要把超低音揚聲器的揚聲器音輸入口連接到接收機或綜合擴大機的揚聲器輸出線上。（參見圖3。）

- 超低音揚聲器輸出 - 把超低音揚聲器的輸出插口連接到超低音揚聲器上某一個線路音輸入插口上。不要使用LFE 直接輸入口。
- 接收機或綜合擴大機上的前置擴大機輸出 - 如果接收機或綜合擴大機為其左右前置道配備了備用前置擴大機輸出，請把這些輸出連接到超低音揚聲器上的線路音輸入插口上。
- 在接收機或綜合擴大機上的預輸出/主輸入環路 - 有些接收機和綜合擴大機通過線路音前置擴大機和功率擴大機。如果您的接收機和綜合擴大機的左右前置道採用這種連接方式，則您可以把超低音揚聲器連接到這些前置擴大機輸出。您將需要一對Y形适配器，每個适配器有兩個隱性RCA插頭和一個陰性RCA插頭。移去兩個環路上的線線，針對每個環路，把Y形适配器的一條線插入前置擴大機輸出插口內，把另一條線插入主擴大機輸入插口內。把連接超低音揚聲器的電纜插入Y形适配器的陰性

前置道和有前置道輸出口的電纜，然後把Y形适配器插入。針對每個環路，把連接功率擴大機的電纜插入Y形适配器上的一個RCA插孔，把連接超低音揚聲器的電纜插入另外一個插孔。

揚聲器輸出 - 把超低音揚聲器揚聲器音輸入線連接到接收機或綜合擴大機上相同的輸出插口上，就像左前置揚聲器和右前置揚聲器的連接一樣。您需要在左右揚聲器輸出端和超低音揚聲器之間佈放第二道電纜。要確保極性正確，即正極（+，紅色）輸出端需連接到正極輸入端，負極（-，黑色）輸出端需連接到負極輸入端。要確保連接的每條電纜正負極兩端沒有金屬接觸，不遵守上述規程，擴大機就可能出故障或損壞。如果選擇兩個輸出端時不影響主揚聲器代音量，則超低音揚聲器可以連接到擴大機的次級或“B”主聲道輸出端。

電源 - 把超低音揚聲器的主電源開關設置為“On（關閉）”，然後把電纜插到交流電源插座上。您可以利用此電源開關手動接通或斷開電源。您也可以把主電源開關保持在接通的狀態，並把自動電源開關設置為“On（接通）”。此自動開關當檢測到任何一個輸入口的信號時，會自動開啟超低音揚聲器，當檢查到在一定時間內沒有信號時，會自動關閉超低音揚聲器。我們建議在大多數系統中，把自動電源開關設置為“On（接通）”。

調整 - 開始調整時，把分頻頻率控制器設置為主左右前置揚聲器的下限頻率。如果您沒有揚聲器的規格說明，請根據揚聲器的尺寸估計此下限頻率。大尺寸揚聲器通常比小尺寸揚聲器的工作頻率低。因此對於一個大尺寸落地揚聲器來說，您可以把分頻頻率降低到40Hz，並從此頻率開始調整。相反如果是較小的分立式衛星揚聲器，則您可能需要把分頻頻率向上調整到120Hz。通常書架式揚聲器的分頻頻率一般在50Hz到80Hz之間。如果分頻頻率設置高於100Hz，則超低音揚聲器應放置到房間前部靠近前主揚聲器的地方。

播放各種包含強烈但不太強烈多低音音樂。調整超低音揚聲器的音量控制項，直到音響聽起來向始至終溫馨自然。如果您不使聲音響亮作響就無法得到足夠低沉的低音，則說明分頻頻率可能設置得過高。請嘗試每次降低一點分頻頻率直到問題消失為止。如果聲音微弱，且把超低音揚聲器音量調高而較低音又太突出，那麼請看手改變相位控制的設置。如果問題不能完全解決，您可能需要提高分頻頻率。

關於調整的一般說明：因為對一個控制項設置的任何改變都可能在一定程度上影響其他控制項的最佳設置，所以調整過程是一個相互影響的過程，需要反覆嘗試。在經過一段時間的收聽和校準後，如果收聽效果仍不能令您滿意，則說明您需要嘗試調整超低音揚聲器的播放位置。當然調整播放位置可能和其他設置相互影響。這就需要您有耐心，為了獲得好的效果，努力嘗試是值得的。

保養和清潔

您唯一需要偶爾做的就是給超低音揚聲器 灰。不要使用任何磨擦性或

REFERENCE SERIES



證明

本設備符合UL8500 和CAN/CSA E60065標準。根據FCC 第15部份驗證條款，本設備作為B類數位式設備得到批准。此B類數位式設備符合加拿大ICES-003標準。有資格印上CE 標記，符合歐共體標準73/23/EEC條款，符合歐共體EMC 標準89/336/EEC 條款。

保固期（適用於美國和加拿大以外的地區）

如果購買本產品的消費者住在美國或加拿大以外的地方，本產品保證將符合適用法律，而且提供該產品的經銷商對該保證負有全部責任。如要獲得任何適用的產品保證服務，請與您購買本產品的經銷商聯絡，或者與提供



Register your new Klipsch product now at www.klipsch.com!

Cut along dotted line and mail.

For multiple speaker purchases, please fill out only one warranty card.

Name:

Street Address:

City/State/Zip:

Home Phone:

Work Phone:

E-mail Address:

Would you like to receive the latest product updates and news via e-mail? Yes No

Product Purchase

Model and serial number must be included to honor your warranty card. For multiple speaker purchases, please fill out only one warranty card.

Model **Serial Number**

Model **Serial Number**

Model **Serial Number**

Model **Serial Number**

Model **Serial Number**

What store did you purchase your Klipsch products from?

Store Name: **State:**

How did you hear about Klipsch? Audio/Home Theater Magazine Other Magazine TV

Radio Newspaper Trade Show Friend Retail Dealer Direct Mail

Have you purchased Klipsch products before? Yes No

If yes, what products?

Product Name(s):

When do you hope to purchase additional loudspeakers? 6 mos. - 1 yr. 1-2 yrs.

How likely are you to consider Klipsch products for your upcoming purchases?

Very likely Somewhat likely Doubtful

If doubtful, why? Don't carry product I'm looking for Too expensive

Klipsch dealer too far away Other

Please tell us about you!

Married Single Student Male Female

Age: 15-17 18-24 25-35 36-45 46-55 55-64 65+

Annual Household Income: Under \$25,000 \$25-35,000 \$35-50,000 \$50-75,000

\$75-100,000 \$100,000+



3502 Woodview Trace, Suite 200
Indianapolis, Indiana 46268 USA
1-800-KLIPSCH • www.klipsch.com

Make sure you return your warranty card so that we may keep you up-to-date on new Klipsch products and promotions. If you have any questions, contact your local authorized Klipsch dealer.

For your records:

Model: _____

Date Purchased: _____

Klipsch Audio Technologies
3502 Woodview Trace, Suite 200
Indianapolis, IN 46268 USA

Place
FIRST CLASS
Postage
Stamp Here

7.5M0303
193142

Free Manuals Download Website

<http://myh66.com>

<http://usermanuals.us>

<http://www.somanuals.com>

<http://www.4manuals.cc>

<http://www.manual-lib.com>

<http://www.404manual.com>

<http://www.luxmanual.com>

<http://aubethermostatmanual.com>

Golf course search by state

<http://golfingnear.com>

Email search by domain

<http://emailbydomain.com>

Auto manuals search

<http://auto.somanuals.com>

TV manuals search

<http://tv.somanuals.com>