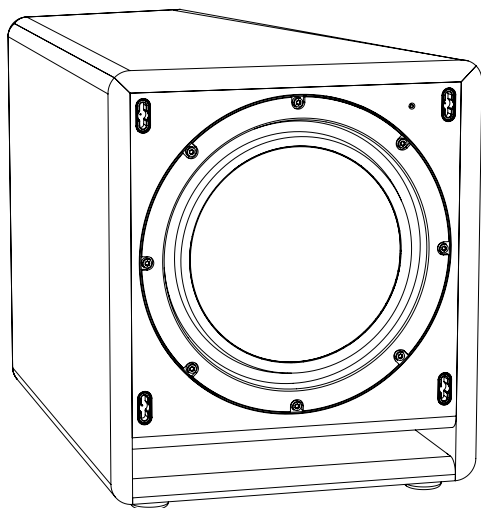
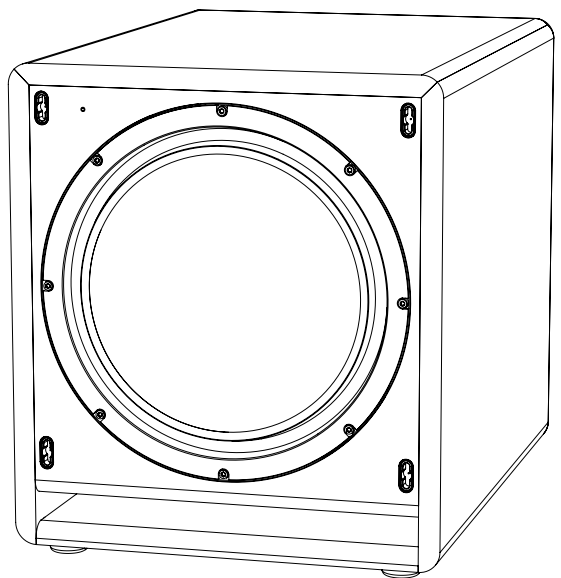
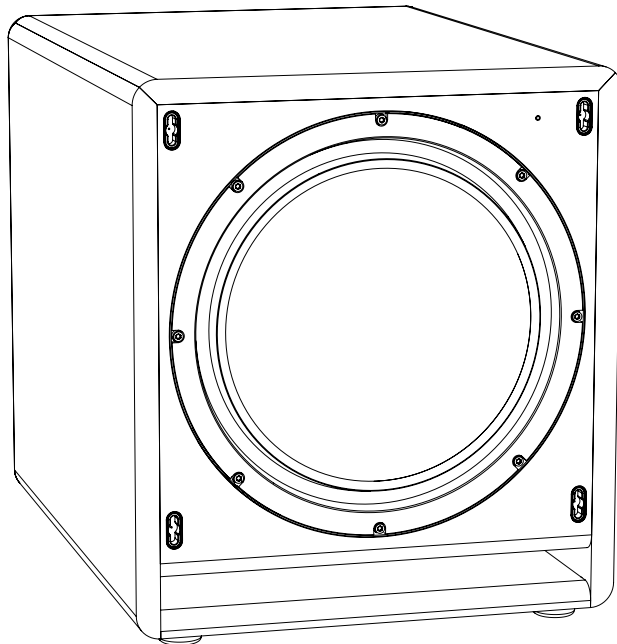



Klipsch®



SW-110, SW-112 and SW-115 Subwoofers

Owner's Manual

IMPORTANT SAFETY INSTRUCTIONS!

1. READ these instructions.
2. KEEP these instructions.
3. HEED all warnings.
4. FOLLOW all instructions.
5. DO NOT use this apparatus near water.
6. CLEAN ONLY with dry cloth.
7. DO NOT block any ventilation openings. Install in accordance with the manufacturer's instructions.
8. Do not install near any heat sources such as radiators, heat registers, stoves, or other apparatus (including amplifiers) that produce heat.
9. DO NOT defeat the safety purpose of the polarized or grounding type plug. A polarized plug has two blades with one wider than the other. A grounding type plug has two blades and a third grounding prong. The wider blade or the third prong are provided for your safety. If the provided plug does not fit into your outlet, consult an electrician for replacement of the obsolete outlet.
10. PROTECT the power cord from being walked on or pinched, particularly at plugs, convenience receptacles, and the point where they exit from the apparatus.
11. ONLY USE attachments/accessories specified by the manufacturer.
12. USE only with a cart, stand, tripod, bracket, or table specified by the manufacturer, or sold with the apparatus. When a cart is used, use caution when moving the cart/apparatus combination to avoid injury from tip-over. 
13. UNPLUG this apparatus during lightning storms or when unused for long periods of time.
14. REFER all servicing to qualified service personnel. Servicing is required when the apparatus has been damaged in any way, such as power-supply cord or plug is damaged, liquid has been spilled or objects have fallen into the apparatus, the apparatus has been exposed to rain or moisture, does not operate normally, or has been dropped.
15. DO NOT expose this apparatus to dripping or splashing and ensure that no objects filled with liquids, such as vases, are placed on the apparatus.
16. To completely disconnect this apparatus from the AC Mains, disconnect the power supply cord plug from the AC receptacle.
17. The mains plug of the power supply cord shall remain readily operable.



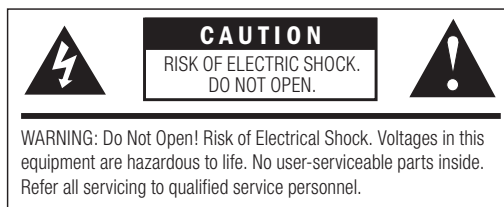
The exclamation point, within an equilateral triangle, is intended to alert the user to the presence of important operating and maintenance (servicing) instructions in the literature accompanying the product.



The lightning flash with arrowhead symbol within an equilateral triangle, is intended to alert the user to the presence of uninsulated "dangerous voltage" within the product's enclosure that may be of sufficient magnitude to constitute a risk of electrical shock to persons.

WARNING: To reduce the risk of fire or electrical shock, do not expose this apparatus to rain or moisture.

WARNING: No naked flame sources – such as candles – should be placed on the product.



WARNING: This product is intended to be operated ONLY from the AC Voltages listed on the back panel or included power supply of the product. Operation from other voltages other than those indicated may cause irreversible damage to the product and void the products warranty. The use of AC Plug Adapters is cautioned because it can allow the product to be plugged into voltages in which the product was not designed to operate. If the product is equipped with a detachable power cord, use only the type provided with your product or by your local distributor and/or retailer. If you are unsure of the correct operational voltage, please contact your local distributor and/or retailer.

INSPECTION

We want your new speaker system to look as good as it did leaving the factory! Please check promptly for any transit damage. Carefully unpack your new speaker system and verify the components against the packing list. In extreme circumstances, items may have become damaged in transit. If any damage is discovered, notify the delivery service and dealer where the system was purchased. Make a request for inspection, and follow their instructions for evaluation. Be sure to keep the product's original shipping carton.

POSITIONING YOUR SW SUBWOOFER

Klipsch® powered subwoofers are designed to reproduce deep bass and deliver the impact that makes your movies and music come alive. Typically, optimum performance will result if you place your subwoofer in a corner of the room on the same wall as your front channel speakers (Refer to Figure 1). Please note that room placement can have a dramatic effect upon the performance of your powered subwoofer. Corner placement, as suggested above, will increase the amount of bass output, while placing the subwoofer along the middle of a wall, or out in the room will decrease the amount of bass output. Experiment with a number of different placement options and control settings to find the one that best suits your particular room and taste. When choosing your subwoofer's location, keep in mind that you will need to connect the subwoofer's built-in amplifier to an AC power outlet.

CONNECTIONS AND CONTROLS

CAUTION: Ensure that the subwoofer is unplugged from the AC wall outlet before making any connections. Do not connect both "High Level" and "Line Level" inputs at the same time as damage to your equipment could result!

"LINE IN" Connection - Most of today's surround receivers (and pre-amplifiers) have a line level subwoofer output labeled Subwoofer Pre Out, Sub Out, SW Out, etc. If you have this output, connect one end of a subwoofer cable to it and connect the other end of the cable into the subwoofer line input labeled LEFT/LFE. This connection allows the subwoofer to operate with both music and surround sound movies (refer to your receiver manual). In absence of a subwoofer output on your receiver, as an alternative hookup, you can connect Left and Right channel Pre-Amp Outputs from your receiver (if provided) to the Left/LFE and Right input on the subwoofer.

"HIGH LEVEL" Connection - If your receiver (or pre-amplifier) does not have a Subwoofer Pre Out, Sub Out, SW Out, etc. connection, you can connect the SW subwoofer via the High Level Connection. Using 16 gauge or larger speaker wire, connect the RED "positive" (+) terminal of your amplifier's LEFT channel to the RED (+) terminal of your subwoofer's LEFT channel (High Level In). Connect the BLACK "negative" (-) terminal of your amplifier's LEFT channel to the BLACK "negative" (-) terminal of your subwoofer's LEFT channel input (High Level In). Repeat this procedure for connecting your amplifier's RIGHT channel input. Take care that no bare wires from any of the connections touch any other terminals, or each other, as this could damage your equipment. This connection to your receiver will be to the same terminals as your main speakers are connected to.

"GAIN" Control - If your subwoofer is connected to a Subwoofer Output of a surround receiver, first set the subwoofer volume level control in the receiver to the "half way" or "0 dB" position. Then increase the volume (or gain) of the subwoofer up until the subwoofer's volume level matches the output of your main speakers. After this setup is completed, the volume control on your system's main amplifier or pre-amplifier will be the volume control for both your subwoofer and speakers together. If your subwoofer is connected to the L/R Pre-Amp Outputs of a receiver or connected via the High-Level connection to the receiver's speaker terminals, there will be no subwoofer volume in that receiver to set before setting the subwoofer's gain control.

"LOWPASS" Control - The crossover point chosen determines where low bass frequencies are "handed off" from the speakers to the subwoofer. If setting the crossover point in the receiver, turn the Lowpass Filter knob on the subwoofer to the farthest point right (150Hz). Set the crossover point based on the size of the main left/right speakers you are using in the system. As a general rule, for larger, floorstanding speakers, set the crossover point between 50Hz-90Hz. If using small bookshelf or "satellite" speakers for the mains, set the crossover point between 90Hz-150Hz. The smaller the speaker, the higher the setting until the bass frequencies blend well between the speakers and your subwoofer once your

system is completely hooked up. If your receiver does not have a crossover point setting, set the Lowpass Filter on the subwoofer instead within the same recommended settings (see receiver manual for additional speaker setup info).

“PHASE” 0/180 - This control is used to acoustically match the subwoofer's output to your main speakers. Select the position, either 0° or 180°, in which your subwoofer has more output at the listening position.

“POWER” AUTO/ON/OFF - This is the main A/C power switch for the subwoofer. This switch must be in the “ON” position for the subwoofer to operate and for the “AUTO/ON” switch to function. Set this switch to the “OFF” position if the subwoofer will not be used for an extended period of time (i.e. vacation).

When this switch is in the “AUTO” position, the subwoofer will automatically turn “on” when it senses a signal. It will automatically turn “off” after 20 minutes with no signal. When this switch is in the “ON” position, the subwoofer will remain “on” as long as the “POWER” ON/OFF switch is in the “ON” position. When this switch is in the “OFF” position, the subwoofer will remain “off” as long as the “POWER” ON/OFF switch is in the “OFF” position.

Power LED indicator - Located on the front baffle, this LED indicates the operating status of the built-in amplifier. The LED will light green when the amplifier is on and receiving a signal. If the LED is dark and not lit, the amplifier is off. For more information on the controls mentioned in this manual and on bass management, see your dealer or visit www.klipsch.com.

CARE AND CLEANING OF YOUR POWERED SUBWOOFER

Your subwoofer has a durable vinyl finish that should only require dry dusting or cleaning with a dry cloth. Avoid the use of abrasive or solvent-based cleaners and harsh detergents. The brush attachment of your vacuum should remove any dust from your subwoofer enclosure.

FCC AND CANADA EMC COMPLIANCE INFORMATION

NOTE: This equipment has been tested and found to comply with the limits for a Class B digital device, pursuant to part 15 of the FCC Rules. These limits are designed to provide reasonable protection against harmful interference in a residential installation. This equipment generates, uses and can radiate radio frequency energy and, if not in-stalled and used in accordance with the instructions, may cause harmful interference to radio communications. However, there is no guarantee that interference will not occur in a particular installation. If this equipment does cause harmful interference to radio or television reception, which can be determined by turning the equipment off and on, the user is encouraged to try to correct the interference by one or more of the following measures:

- Reorient or relocate the receiving antenna.
- Increase the separation between the equipment and receiver.
- Connect the equipment into an outlet on a circuit different from that to which the receiver is connected.
- Consult the dealer or an experienced radio/TV technician for help.

Approved under the verification provision of FCC Part 15 as a Class B Digital Device.

Caution: Changes or modifications not expressly approved by the manufacturer could void the user's authority to operate this device.

This Class B digital apparatus complies with Canadian ICES-003.
Cet appareil numérique de la classe B est conforme à la norme NMB-003 du Canada.

The term “IC:” before the radio certification number only signifies that Industry

Canada technical specifications were met.

This equipment complies with FCC and IC radiation exposure limits set forth for an uncontrolled environment. This equipment should be installed and operated with minimum distance 20cm between the radiator and your body. This transmitter must not be co-located or operating in conjunction with any other antenna or transmitter.

Le terme «IC:» avant le numéro de certification radio signifie seulement que les spécifications techniques d'Industrie Canada ont été respectées.

Cet appareil est conforme à FCC et IC l'exposition aux rayonnements limites fixées pour un environnement non contrôlé. Cet appareil doit être installé et utilisé avec une distance minimale de 20 cm entre le radiateur et votre corps. Cet transmetteur ne doit pas être co-situé ou opérant en liaison avec toute autre antenne ou transmetteur.

Operation is subject to the following two conditions: (1) this device may not cause interference, and (2) this device must accept any interference, including interference that may cause undesired operation of the device.

To reduce potential radio interference to other users, the antenna type and its gain should be so chosen that the equivalent isotropically radiated power (e.i.r.p.) is not more than that permitted for successful communication.

EU COMPLIANCE INFORMATION:

Eligible to bear the CE mark, Conforms to European Union Low Voltage Directive 2006/95/EC; Conforms to European Union EMC Directive 2004/108/EC and European Union Directive 2005/32/EC for Ecodesign requirements.

WEEE NOTICE

Note: This mark applies only to countries within the European Union (EU) and Norway.



This appliance is labeled in accordance with European Directive 2002/96/EC concerning waste electrical and electronic equipment (WEEE). This label indicates that this product should not be disposed of with household waste. It should be deposited at an appropriate facility to enable recovery and recycling.

PRODUCT REGISTRATION

Register your product online at www.klipsch.com/register

- Klipsch will keep you up-to-date on new products and promotions
- Your personal information will never be resold
- This registration information is not used for warranty purposes.
Please retain your receipt for warranty claims.

Klipsch is a registered trademark of Klipsch Group Inc.

Figure 1 Speaker Placement in Listening Area

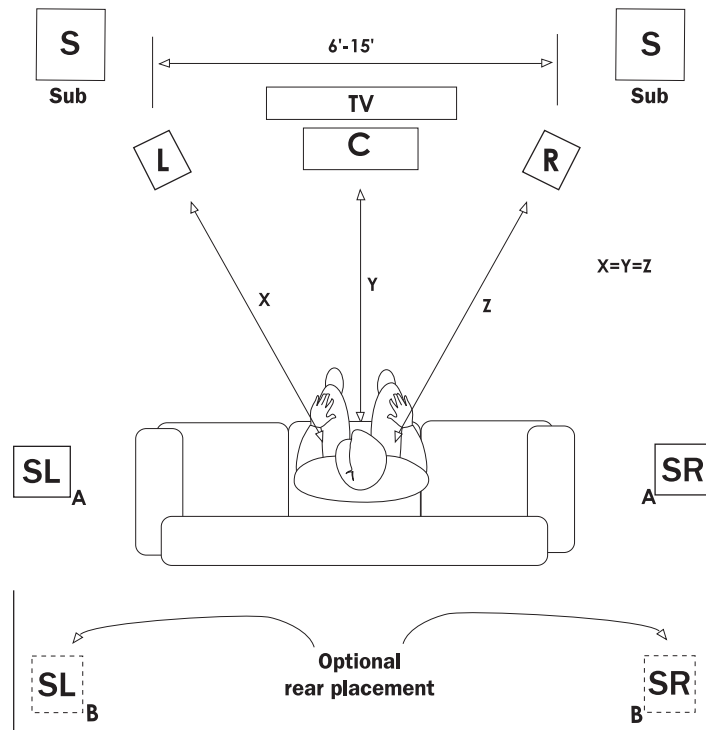
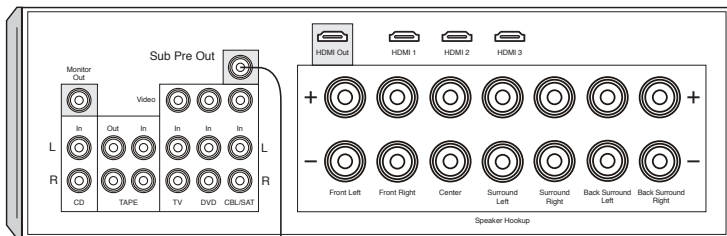


Figure 2 SW-110, SW-112 and SW-115 Subwoofer Hook Up

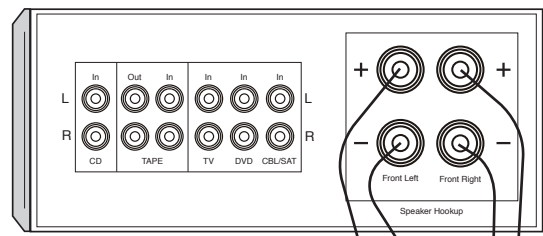
Your Klipsch SW subwoofer is equipped with both Speaker (High) Level and Line In (Low) Level hookups. The connection you use depends on what type of receiver (or pre-amplifier) you are hooking the subwoofer to. Do not hook up both connections together as damage to your system may be a result! Most connections will use the Line In Connection.

"Line In" Connection



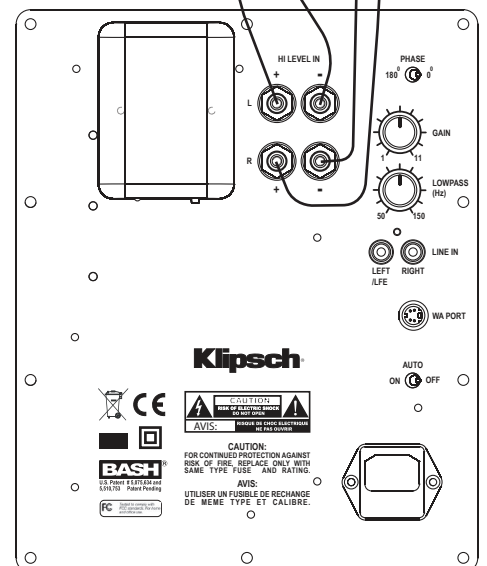
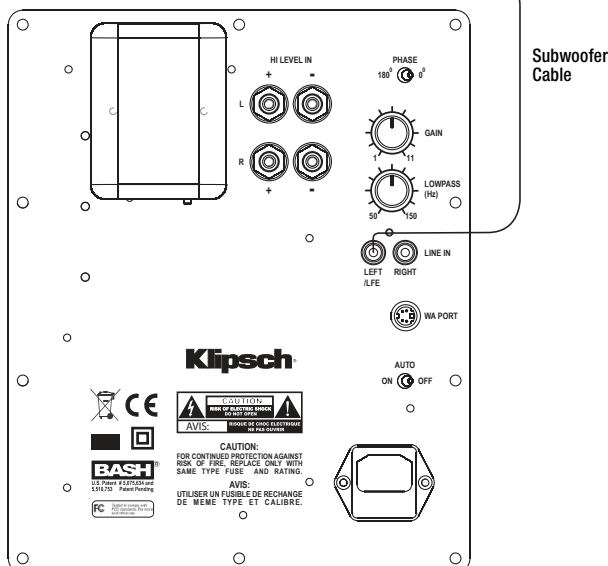
Surround A/V Receiver

"High Level" Connection



Stereo Receiver

16 Gauge or Larger Speaker Wire



CHINESE - 重要安全信息

1. 阅读本说明书。
2. 保管本说明书。
3. 注意各类警告。
4. 遵循所有使用说明。
5. 不可在水旁使用本设备。
6. 仅可使用干抹布进行清洁。
7. 请勿阻塞通风口。按照制造商的说明进行安装。
8. 本设备禁止安装在热源附近，如散热器、热记录仪、火炉或其它发热设备（包括放大器）。
9. 禁止省略不用极性或接地类插头的的安全功能。极性插头的两个插脚不一样宽。接地类插头除两个插脚外，还有第三个接地脚。那个较宽的插脚或第三个接地脚是为安全而设置的。若插头无法插入插座，请向电工咨询更换陈旧的插座。
10. 对电源线采取保护措施，防止被踩踏或挤压，特别是在插头、插座之处，以及在电源线接出本设备之处。
11. 仅使用制造商指定的附件/配件。
12. 本设备仅可使用制造商指定的，或本设备随配的手推车、支座、三角架、支架或工作台。使用手推车时，在移动载有本设备的手推车时，应小心操作，避免翻倒而受伤。
13. 在有雷电雨或长时间不用时，请拔出本设备的插头。
14. 所有维修工作都要由合格的维修人员完成。若设备损坏，如电源线或插头损坏、液体/物体掉入设备、设备受到雨淋或受潮、设备工作异常或摔落，需要进行维修。
15. 请勿使本设备受到水的滴溅，并避免在设备上放置如花瓶等装有液体的物体。
16. 要完全切断本设备的交流电源，将电源插头从交流插座中拔出。
17. 电源线的交流插头应保持为备用状态。



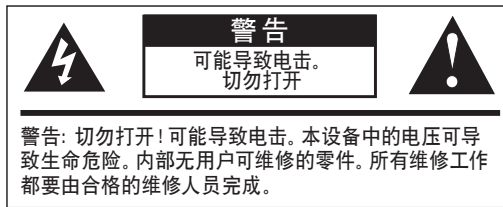
三角形内含感叹号用来提醒用户，产品随带的文件对此有重要的操作和维护（维修）说明。



三角形内含带箭头的闪电用来提醒用户，此产品机壳之中含有无绝缘的“危险电压”，其电压可能足以产生电击。

警告：为了降低火灾或电击的危险，禁止让本设备受到雨淋或受潮。

警告：不得在本产品上放置明火源，如蜡烛等。



警告：本产品仅可使用背面板所列的交流电压，或产品随配的交流电源。使用非指定电压可能导致产品发生不可修复的损坏，使产品保修无效。交流电源插头适配器应谨慎使用，因为使用适配器时，产品可以插接到超出其设计工作电压的电压。若使用可拆卸电源线，请仅使用产品自带，或当地批发商和/或零售商提供的电源线。若您不能确定准确的工作电压，请联系当地批发商和/或零售商。

检查

我们希望您新购置的音响系统表面如出厂时完好！

请尽快检查产品是否在运输过程中受到损坏。仔细拆开您新购置的音响系统，对照设备清单核查组件。鲜见情况下，部分部件可能会在运输过程中受到损坏。发现任何损坏，请通知递送服务商和购机经销商。要求进行检查，按照其说明进行评估。务必保留产品原外包装。

放置您的SW低音炮

KLIPSCH有源低音炮用来营造重低音效果，在播放电影和音乐时产生如临其境的效果。一般而言，将低音炮音响放在与前面板音响同扇墙的角落便可获得最佳音效（请见图1）。请注意，室内布置能对有源低音炮的音效产生很大影响。如上述建议，将低音炮布置在拐角处能够增加低音输出量，将低音炮布置在墙的中间位置或是在房间中间，则会减少低音输出量。尝试多种不同的布置方式和控制设置，确定最适合您房间和音效偏好的选择。选择低音炮位置时，须考虑低音炮内置功放需接到交流电源插座上。

连接与控制

注意：确保低音炮是从AC电源插座拔出，然后才作出任何连接。请勿同时连接“HIGH LEVEL”（高电平）和“LINE LEVEL”（线路电平），否则可能会损坏设备！

“LINE IN”连接 - 当前，大部分环绕声接收机（和前级放大器）均有一个线路电平低音炮输出，标示为 Subwoofer Pre Out、Sub Out、SW Out 等。如果您的设备配有此输出装置，请将低音炮线缆一端接到该输出口，另一端接到低音炮上标示为 LEFT/LFE 的线路输入。连接后，低音炮将能够演绎音乐和环绕声电影（请见接收机说明书）。如果接收机上没有低音炮输出，作为另一种连接方案，您可以将接收机上 Left（左）和 Right（右）声道 Pre-Amp Outputs（前级放大器输出）（如果有的话）接到低音炮的 Left/LFE 和 Right 输入上。

“HIGH LEVEL”接 - 如果接收机（或前级放大器）没有低音炮 Pre Out、Sub Out、SW Out 等接口，您可以通过 High Level 接口来连接 SW 低音炮。用16号或更粗的喇叭线连接功放 LEFT（左）声道的红色“正极”（+）至低音炮 LEFT（左）声道（High Level In）的红色（+）极。连接功放 LEFT（左）声道的黑色“负极”（-）至低音炮 LEFT 声道输入口（High Level In）的黑色“负极”（-）。重复上述操作，连接功放的 RIGHT（右）声道输入口。注意不要让接线的线芯触到其他接头或是相互接触，因为这样会损坏您的设备。把接线接到主音箱所连接的接收机端子上。

“GAIN” Control（增益）控制 - 如果低音炮是接到环绕声接收机的低音炮输出上，先将接收机上的低音炮音量控制器调到“中位”或“0 dB”位置。然后调高低音炮音量（或增益），直到低音炮音量与主音箱输出音量吻合。完成该设置后，系统的主功放或前级放大级上的音量控制将成为低音炮和音箱的音量控制器。如果低音炮接到接收机的 L/R Pre-Amp Output（前级放大器左/右输出）上或通过 High-Level 接头接到接收机的喇叭端子上，则无需在设置低音炮增益控制前设置接收机的低音炮音量。

“LOWPASS” Control（低通）控制 - 所选的分频点决定低通频率从音箱转到低音炮处理的分界点。如果在接收机上设置分频点，请将低音炮上的“Lowpass Filter”（低通滤波器）旋钮向最右方（150赫兹）旋转。根据您在系统使用的左/右主音箱的大小来设置分频点。一般而言，对于大型落地主音箱，可将分频点设在50Hz - 90Hz之间。如果是把小书架或“卫星”音箱作为主音箱，则可将分频点设在90Hz - 150Hz之间。若是更小的音箱，那么在系统连接完成后，分频点应设置更高，直到低音炮和音箱之间的低音频完美融合。如果接收机无分频点设置功能，可以设置低音炮上的“Lowpass Filter”（低通滤波器），建议设置范围相同（请见接收机说明书，了解更多音箱设置信息）。

“PHASE” 0/180 - 该控制用于调节低音炮输出使其音色与主音箱搭配。选择0°或180°的位置，相位调节得当可增加聆听位置的输出。

“POWER” AUTO/ON/OFF - 这是低音炮的主交流电源开关。

该开关须在“ON”位置，低音炮才能工作，同时“AUTO/ON”开关才会有效。低音炮长时不用时（如外出度假时）请将开关调到“OFF”位置。

开关调到“AUTO”位置时，低音炮将在感应到信号时自动“打开”。如果没有信号，它将在20分钟内自动“关闭”。开关调至“ON”位置时，那么只要“POWER” ON/OFF 开关在“ON”位，低音炮就始终“打开”。开关调至“OFF”位置时，那么只要“POWER” ON/OFF 开关在“OFF”位，低音炮就始终“关闭”。

电源 LED 指示灯 - 该 LED 灯位于前挡板, 用于显示内置放大器的工作状态。绿色的LED灯打开时, 放大器和接收信号。如果该 LED 灯不亮, 则表明放大器关闭。如需了解更多关于本说明中提及的控制以及低音炮管理方面的信息, 请咨询经销商或访问 www.klipsch.com。

有源低音炮保养与清洁

低音炮采用耐用型乙烯基饰面, 仅需用干布掸灰或干洗。避免使用擦洗或溶解剂和粗糙洗涤剂。真空吸尘器刷子应可除去低音炮箱体的灰尘。

FCC 与加拿大 EMC 合规信息

注: 此设备经过测试, 符合《FCC 规定》的第 15 部分对“B 类”数字设备的限定。制定此类限定旨在对住宅安装的设备提供合理的保护, 避免有害干扰。此设备会产生、使用并能发射射频能量, 如果未按照指示信息安装和使用, 可能对无线电通信造成有害干扰。尽管如此, 不保证具体的安装不会发生干扰。如果本设备对无线电或电视接收造成有害干扰(可通过关闭和打开本设备来判定), 用户可采取以下一项或多项措施来消除干扰:

调整接收天线的方向或位置。
增加设备与接收机之间的距离。
将设备和接收机接到不同线路的插座上。
请咨询经销商或经验丰富的无线电/电视技术人员获取帮助。

根据 FCC 第 15 章验证条款, 批准为“B 类”数字设备。

注意: 未经 KLIPSCH 明确同意做出更改或修改将使用户使用本品的权限失效。

本 B 类数字设备符合加拿大 ICE-003 要求。

无线电认证号前的术语“IC: ”仅表明达到了加拿大工业部的技术规范。

本设备符合未控制环境下 FCC 和 IC 辐射暴露限制要求。安装和使用本设备时, 辐射装置与身体之间须至少保持 20CM 的间距。本发射装置不得与任何其他天线或发射装置同装一处或是共同使用。

操作须遵从以下两项条件: (1) 本设备不得导致干扰, 以及 (2) 本设备须接受干扰, 包括可能导致设备效果不佳的干扰。

为了减少对其他用户产生潜在的无线电干扰, 天线类型和其增益的选择上应保证等效全向辐射功率 (EIRP) 不超出顺利通信的允许值。

EU 合规信息

允许带有 CE 标志, 符合欧盟低电压指令 2006/95/EC; 符合欧盟 EMC 指令 2004/108/EC 和关于生态设计要求的欧盟指令 2005/32/EC。

WEEE 注意事项

注: 本标志只适用于欧盟 (EU) 各国和挪威。



本项标志按照欧洲 2002/96/EC 关于报废电子电气设备 (WEEE) 指令作标记。该标签说明此产品不得与生活垃圾一起处理。应存放于适当的设施内使之能回收及重复利用。

产品注册

访问 WWW.KLIPSCH.COM/REGISTER 在线注册购买的产品

- KLIPSCH 将让您了解最新的产品与促销信息
- 永远不会转售您的个人信息
- 本注册信息不作保修用。
请保留发票, 供保修时使用。

KLIPSCH公司是KLIPSCH集团旗下公司的注册商标

图 1 聆听区音箱布置

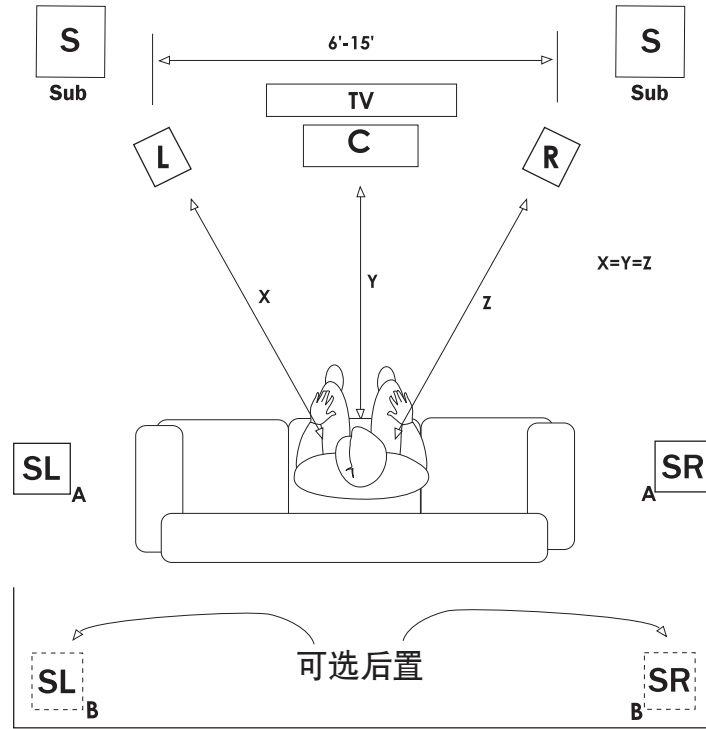
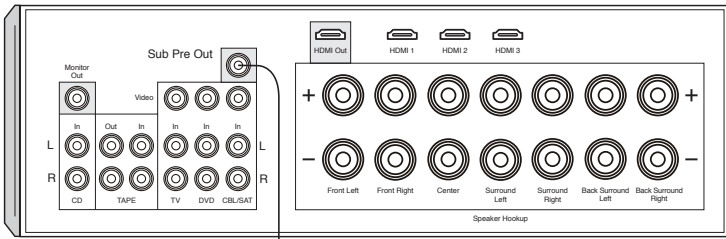


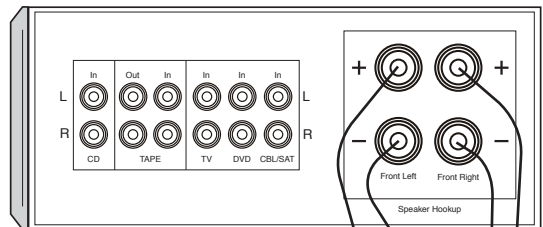
图 2 SW-110, SW-112 和 SW-115 低音炮连接

Klipsch SW 低音炮配有 Speaker (High) Level 和 Line In (Low) Level 接头。您使用的连接取决于低音炮所连的接收机 (或前级放大器) 的类型。切勿连接两个接头, 因为那样可能会损坏您的系统! 大部分连接均使用 Line In 接头。

“Line In” 连接



“High Level” 连接

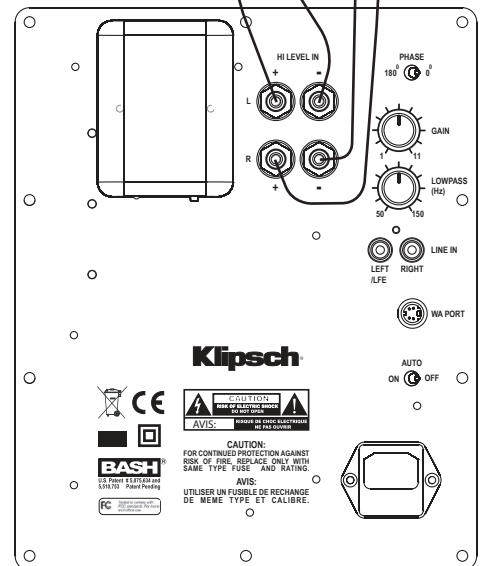
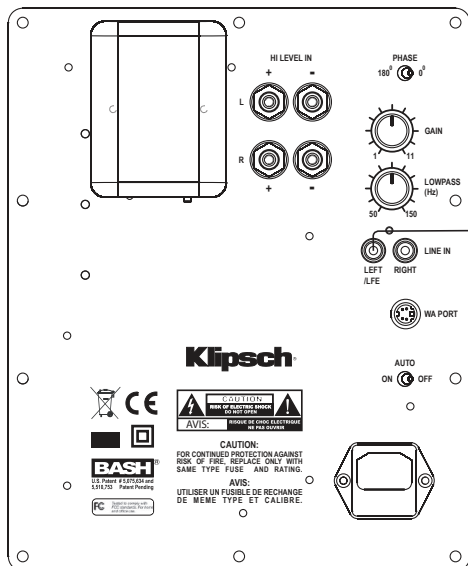


环绕声 A/V 接收机

立体声接收机

16号或更粗音箱线

低音炮线缆



FRENCH - CONSIGNES DE SÉCURITÉ IMPORTANTES

1. LIRE ces instructions.
2. CONSERVER ces instructions.
3. RESPECTER tous les avertissements.
4. SUIVRE toutes les instructions.
5. NE PAS utiliser cet appareil à proximité de l'eau.
6. NETTOYER UNIQUEMENT avec un chiffon sec.
7. NE PAS OBSTRUER les orifices de ventilation. Installer conformément aux instructions du constructeur.
8. Ne pas installer à proximité de sources de chaleur telles que les radiateurs, les grilles de chauffage, les cuisinières et les autres appareils (notamment les amplificateurs) dégagant de la chaleur.
9. NE PAS neutraliser le dispositif de sécurité que constitue la fiche polarisée ou à broche de terre. Une fiche polarisée a une lame plus large que l'autre. Une fiche à broche de terre est munie de deux lames et d'une troisième broche pour la terre. La lame large ou la troisième broche est prévue pour la sécurité de l'utilisateur. Si la fiche fournie ne rentre pas dans la prise de courant, demander à un électricien de remplacer cette prise d'un type ancien.
10. PROTÉGER le cordon d'alimentation en s'assurant qu'il ne risque pas d'être piétiné ou écrasé, en particulier près des fiches, des blocs multiprises et de son point de sortie de l'appareil.
11. UTILISER UNIQUEMENT les accessoires préconisés par le constructeur.
12. UTILISER exclusivement avec un chariot, un support, un trépied, une console ou un bâti recommandé par le fabricant ou vendu avec l'appareil. Lorsqu'un chariot est utilisé, faire preuve de prudence pour déplacer l'ensemble chariot/appareil afin d'éviter un renversement pouvant causer des blessures.
13. DÉBRANCHER cet appareil en cas d'orage ou lorsqu'il reste inutilisé pendant une longue durée.
14. CONFIER tout travail de dépannage à un réparateur professionnel compétent. Faire réparer l'appareil en cas de dommages, par exemple : fiche ou cordon d'alimentation endommagé, liquide renversé sur l'appareil ou objet inséré dans l'appareil, appareil exposé à la pluie ou à l'humidité, mauvais fonctionnement ou après une chute.
15. NE PAS exposer cet appareil à des éclaboussures ou des égouttements et veiller à ce qu'aucun récipient rempli de liquide, tel qu'un vase, ne soit posé dessus.
16. Pour isoler complètement cet appareil de l'alimentation secteur, débrancher son cordon d'alimentation de la prise de courant.
17. La fiche secteur du cordon d'alimentation doit rester accessible.



Le point d'exclamation contenu dans un triangle équilatéral avertit l'utilisateur de la présence, dans la documentation qui accompagne l'appareil, de consignes d'utilisation et de maintenance importantes.



L'éclair fléché dans un triangle équilatéral avertit l'utilisateur de la présence d'une « tension dangereuse » non isolée à l'intérieur de l'appareil et d'une valeur suffisante pour constituer un risque de choc électrique.

AVERTISSEMENT : Pour réduire les risques d'incendie et d'électrocution, ne pas exposer cet appareil à la pluie ni à l'humidité.

AVERTISSEMENT : Ne pas poser sur ce produit de sources de flammes nues telles que des bougies.



AVERTISSEMENT : Ce produit a été conçu pour être alimenté EXCLUSIVEMENT par une source d'alimentation secteur conforme aux valeurs indiquées en face arrière ou par le bloc d'alimentation du produit. L'alimentation à partir d'autres sources que celles indiquées risque d'endommager le produit de façon irréversible et d'annuler sa garantie. L'utilisation d'adaptateurs de fiches secteur doit se faire avec prudence, car elle peut permettre le branchement du produit sur des sources de tension pour lesquelles le produit n'a pas été conçu. Si le produit est pourvu d'un cordon d'alimentation amovible, utiliser uniquement un cordon du même type que celui fourni avec l'appareil, ou un cordon fourni par un distributeur ou revendeur local. En cas de doute quant à la tension d'alimentation acceptable, s'adresser au distributeur ou au revendeur local.

INSPECTION

Vos nouvelles enceintes doivent être aussi belles qu'à leur départ de l'usine. Vérifiez immédiatement qu'elles n'ont pas été endommagées au cours du transport. Déballer soigneusement les enceintes et vérifiez les composants en vous référant à la liste de colisage. Dans certains cas exceptionnels, des éléments peuvent avoir été endommagés au cours du transport. Si des dégâts sont constatés, contactez le transporteur et le revendeur chez lequel le système a été acheté. Faites une demande d'inspection et suivez les instructions d'évaluation. Veillez à conserver le carton d'emballage d'origine du produit.

PLACEMENT DU CAISSON DE GRAVES SW

Les caissons de graves amplifiés Klipsch ont été conçus pour reproduire les extrêmes graves et fournir l'impact permettant que les films et la musique atteignent l'excellence que vous attendez. Pour optimiser les performances, il est généralement conseillé de placer le caisson de graves dans un coin adjacent au mur où se trouvent les enceintes avant (voir la figure 1). Le placement dans la pièce peut avoir une très grande influence sur les performances du caisson de graves amplifié. Le placement en coin suggéré ci-dessus permet d'optimiser le volume de graves. Si le caisson de graves est placé au milieu d'un mur ou à distance des murs, le volume de graves en sera réduit. Essayez différents placements et réglages afin de déterminer ce qui convient le mieux à la pièce et à vos préférences. Lors du choix de l'emplacement du caisson de graves, n'oubliez pas que l'amplificateur intégré doit être branché à une prise de courant secteur.

RACCORDEMENTS ET COMMANDES

ATTENTION: Veiller à ce que le caisson est débranché de la prise murale avant d'effectuer tout branchement. Ne raccordez pas en même temps les entrées « High Level » (haut niveau) et « Line Level » (niveau ligne), car cela risque d'endommager votre matériel.

Bornes « LINE IN » (entrée ligne) - La plupart des récepteurs (et préamplificateurs) ambiophoniques actuels offrent une sortie pour caisson de grave repérée Subwoofer Pre Out, Sub Out, SW Out, etc. Si vous disposez d'une telle sortie, branchez-y une extrémité d'un câble de caisson de graves et raccordez l'autre extrémité à l'entrée ligne du caisson de grave repérée LEFT/LFE. Ce branchement permet au caisson de graves de fonctionner avec les enregistrements musicaux comme avec les films à son ambiophonique (consultez le manuel du récepteur). En l'absence de sortie de caisson de graves sur le récepteur, vous pouvez raccorder les canaux de sortie gauche et droite de préamplification du récepteur (le cas échéant) aux entrées Left/LFE et Right du caisson de graves.

Bornes « HIGH LEVEL » (niveau haut) - Si votre récepteur (ou préamplificateur) ne comporte pas de sortie Subwoofer Pre Out, Sub Out, SW Out, etc., vous pouvez raccorder le caisson de graves SW aux bornes « High Level ». À l'aide de fil d'enceinte de calibre 16 ou plus gros, raccordez la borne « positive » (+) ROUGE du canal GAUCHE de l'amplificateur à la borne (+) ROUGE du canal GAUCHE d'entrée du caisson de graves (High Level In). Raccordez la borne « négative » (-) NOIRE du canal GAUCHE de l'amplificateur à la borne « négative » (-) NOIRE du canal GAUCHE d'entrée du caisson de graves (High Level In).

Répétez cette procédure pour le raccordement du canal DROIT d'entrée de l'amplificateur. Vérifiez qu'aucune partie dénudée de fil de raccordement n'en touche une autre ou l'une des autres bornes, car cela risque d'endommager votre matériel. Ce branchement au récepteur utilise les mêmes bornes que celles auxquelles sont raccordées les enceintes principales.

Commande « LOWPASS » (passe-bas) - La fréquence de coupure choisie détermine le point auquel les basses fréquences sont « transférées » des enceintes au caisson de graves. Si le réglage de la fréquence de coupure se fait dans le récepteur, tournez le bouton du filtre passe-bas du caisson de graves le plus possible vers la droite (150 Hz). Réglez la fréquence de coupure en fonction de la taille des enceintes gauche/droite utilisée dans le système. En règle générale, pour les enceintes à piètement de grande taille, réglez la fréquence de coupure entre 50 et 90 Hz. Si vous utilisez de petites enceintes de bibliothèque ou « satellite » comme enceintes principales, réglez la fréquence de coupure entre 90 et 150 Hz. Plus l'enceinte est petite, plus la valeur réglée doit être élevée, de façon à ce que les basses fréquences se répartissent bien entre les enceintes et le caisson de graves une fois le système complètement raccordé. S'il n'y a pas de réglage de fréquence de coupure sur le récepteur, réglez à la place le filtre passe-bas du caisson de graves en utilisant les mêmes valeurs recommandées (consultez le manuel du récepteur pour plus de renseignements sur la configuration des enceintes).

Commande « LOWPASS » (passe-bas) – La fréquence de coupure choisie détermine le point auquel les basses fréquences sont « transférées » des enceintes au caisson de graves. Si le réglage de la fréquence de coupure se fait dans le récepteur, tournez le bouton du filtre passe-bas du caisson de graves le plus possible vers la droite (150 Hz). Réglez la fréquence de coupure en fonction de la taille des enceintes gauche/droite utilisée dans le système. En règle générale, pour les enceintes à piétement de grande taille, réglez la fréquence de coupure entre 50 et 90 Hz. Si vous utilisez de petites enceintes de bibliothèque ou « satellite » comme enceintes principales, réglez la fréquence de coupure entre 90 et 150 Hz. Plus l'enceinte est petite, plus la valeur réglée doit être élevée, de façon à ce que les basses fréquences se répartissent bien entre les enceintes et le caisson de graves une fois le système complètement raccordé. S'il n'y a pas de réglage de fréquence de coupure sur le récepteur, réglez à la place le filtre passe-bas du caisson de graves en utilisant les mêmes valeurs recommandées (consultez le manuel du récepteur pour plus de renseignements sur la configuration des enceintes).

« PHASE » 0/180 – Cette commande sert à l'équilibrage acoustique de la sortie du caisson de graves avec les enceintes principales. Choisissez la position (soit 0°, soit 180°) dans laquelle la puissance du caisson de graves est la plus élevée pour la position d'écoute.

« POWER » AUTO/ON/OFF (auto/marche/arrêt) – Il s'agit de l'interrupteur d'alimentation secteur du caisson de graves. Cet interrupteur doit être en position « ON » pour que le caisson de graves et la fonction « Auto/On » soient en service. Mettez-le en position « OFF » lorsque le caisson de graves reste inutilisé pendant une longue durée (par exemple, pendant les vacances).

Lorsque ce commutateur est en position « AUTO », le caisson de graves se met automatiquement en marche dès la détection d'un signal. Il s'éteint automatiquement après 20 minutes sans signal. Lorsque le commutateur est en position « ON », le caisson de graves reste en marche tant que l'interrupteur d'alimentation est en position « ON » (marche). Lorsque le commutateur est en position « OFF », le caisson de graves reste à l'arrêt tant que l'interrupteur d'alimentation est en position « OFF » (arrêt).

Voyant d'alimentation – Ce voyant, le baffle avant, indique l'état de fonctionnement de l'amplificateur intégré. Il est en mode de veille et en vert lorsque l'amplificateur est activé et reçoit un signal. Lorsque le voyant est éteint, l'amplificateur est à l'arrêt. Pour plus de renseignements sur les réglages indiqués dans ce manuel et sur la gestion des graves, adressez-vous à un revendeur ou visitez le site www.klipsch.com.

ENTRETIEN ET NETTOYAGE DU CAISSON DE GRAVES AMPLIFIÉ

La finition résistante du caisson de graves ne nécessite qu'un dépoussiérage ou un nettoyage au chiffon sec. Évitez d'utiliser des produits de nettoyage abrasifs ou à base de solvant ainsi que des détergents agressifs. La poussière peut être enlevée du coffret du caisson de graves à l'aide d'une brosse d'aspirateur.

INFORMATIONS DE CONFORMITÉ FCC ET CEM CANADA :

REMARQUE : Cet appareil a été testé et reconnu compatible avec les limites des appareils numériques de classe B, en application de la section 15 des règles de la FCC. Ces limites ont été établies de façon à offrir une protection raisonnable contre les interférences nuisibles dans les installations résidentielles. Ce matériel génère, utilise et peut émettre des radio-fréquences et, s'il n'est pas installé et utilisé en accord avec les directives fournies, peut provoquer des interférences avec les communications radio. Il est toutefois impossible de garantir que des interférences ne se produiront pas dans une installation donnée. Si cet appareil entraîne des interférences nuisibles à la réception des programmes de radio ou de télévision, ce qui peut se vérifier en le mettant hors tension puis de nouveau sous tension, l'utilisateur peut prendre les mesures suivantes pour essayer de corriger les interférences :

réorientation ou déplacement de l'antenne de réception ;
augmentation de la distance entre l'appareil et le récepteur ;
branchement de l'appareil sur une prise de courant reliée à un circuit électrique différent de celui du récepteur ;
consulter le détaillant ou un technicien radio/TV compétent sur ce sujet.

Homologation comme appareil numérique de classe B au titre des modalités de vérification FCC section 15.

Attention : Les changements ou modifications non expressément approuvés par le fabricant peuvent annuler le droit de l'utilisateur à utiliser cet appareil.

Cet appareil numérique de la classe B est conforme à la norme NMB-003 du Canada.

The terme « IC » avant le numéro d'homologation radio indique simplement le respect des spécifications techniques d'Industrie Canada.

Cet appareil respecte les limites FCC et IC d'exposition aux rayonnements, établies pour un environnement non contrôlé. Cet appareil doit être installé et utilisé de façon à ce que la distance entre le radiateur et le corps humain soit d'au moins 20 cm. Cet émetteur ne doit pas être placé à proximité d'autres antennes ou émetteurs ni fonctionner avec eux.

Son fonctionnement est soumis aux deux conditions suivantes : 1) cet appareil ne doit pas produire d'interférences et 2) cet appareil doit accepter toutes les interférences reçues, y compris celles pouvant entraîner un fonctionnement indésirable de l'appareil.

Pour réduire les risques d'interférences radio pouvant affecter les autres utilisateurs, le type d'antenne et son gain doivent être choisis de façon à ce que la puissance isotrope rayonnée équivalente (PIRE) ne soit pas supérieure à ce qui est permis pour permettre de bonnes communications.

INFORMATIONS DE CONFORMITÉ UE

Autorisation de porter la marque CE, conformité à la directive basse tension 2006/95/CE de l'Union Européenne ; conformité aux directives de l'Union européenne CEM 2004/108/CE et 2005/32/CE sur les exigences Ecodesign.

AVIS WEEE

Remarque : Cette marque n'est applicable qu'aux pays de l'Union Européenne (EU) et à la Norvège.



Cet appareil est étiqueté conformément à la directive européenne 2002/96/CE relative à la gestion des déchets d'équipements électriques et électroniques (DEEE). Cette étiquette indique que ce produit ne doit pas être jeté avec les ordures ménagères. Il faut le déposer dans une décharge adéquate permettant la récupération et le recyclage.

ENREGISTREMENT DU PRODUIT

Enregistrez le produit en ligne à l'adresse www.klipsch.com/register

- Klipsch vous tiendra au courant des nouveaux produits et des promotions.
- Vos coordonnées ne seront jamais revendues.
- Ces informations d'enregistrement ne sont pas utilisées pour la garantie.
Conservez le reçu pour les réclamations dans le cadre de la garantie.

KLIPSCH EST UNE MARQUE DÉPOSÉE DE KLIPSCH GROUP INC

Figure 1 Placement des enceintes dans la zone d'écoute

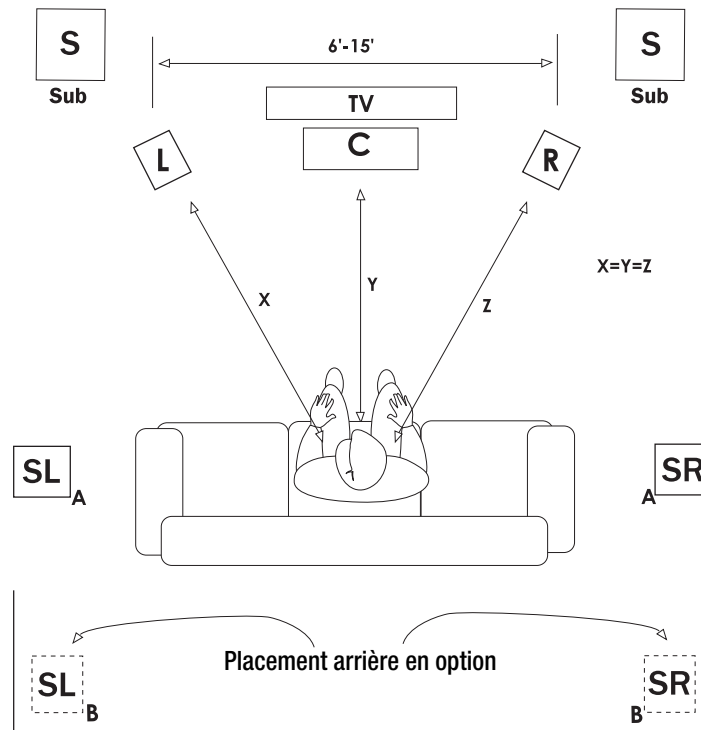
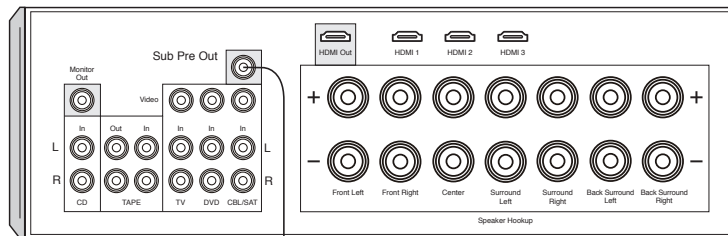


Figure 2 Raccordement des caissons de graves SW-110, SW-112 et SW-115

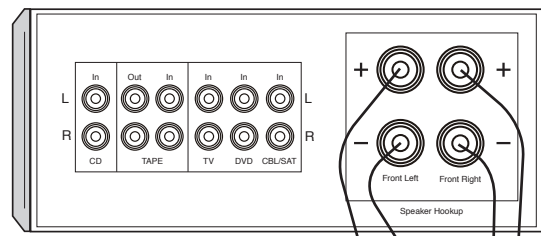
Le caisson de graves Klipsch SW permet les raccordements de niveau enceinte (haut) et de niveau entrée ligne (bas). Le raccordement dépend du type de récepteur (ou préamplificateur) utilisé avec le caisson de graves. Veillez à ne pas effectuer les deux raccordements en même temps, car cela risque d'endommager le système ! La plupart des raccordements se font sur l'entrée ligne « Line In ».

Raccordement « Line In » (entrée ligne)



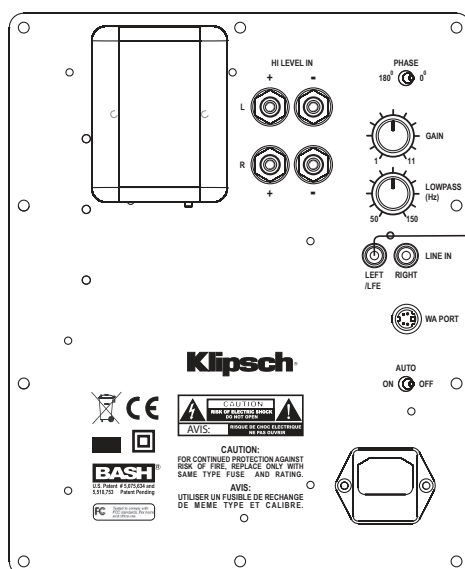
Récepteur A/V ambiophonique

Raccordement « High Level » (haut niveau)

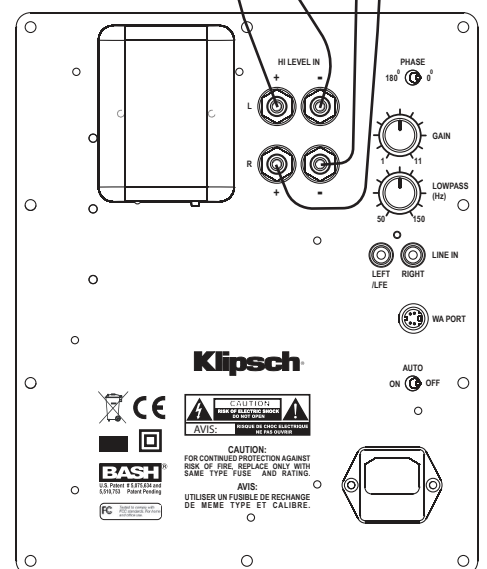


Récepteur stéréo


Fil d'enceinte de calibre 16 ou plus gros



Câble de caisson de graves



GERMAN - WICHTIGE SICHERHEITSHINWEISE

1. LESEN Sie diese Anweisungen durch.
2. BEHALTEN Sie diese Anweisungen.
3. BEACHTEN Sie alle Warnhinweise.
4. FOLGEN Sie allen Anleitungen.
5. Verwenden Sie diese Geräte NICHT in der Nähe von Wasser.
6. Reinigen Sie sie NUR mit einem trockenen Tuch.
7. Blockieren Sie KEINE Lüftungsöffnungen. Installieren Sie die Geräte entsprechend den Herstelleranweisungen.
8. Installieren Sie sie nicht in der Nähe von Wärmequellen wie Heizkörpern, Warmlufteintrittsöffnungen, Öfen oder anderen wärmeerzeugenden Geräten (einschließlich Verstärkern).
9. Sie dürfen die Sicherheitsfunktion polarisierter oder geerdeter Stecker NICHT außer Kraft setzen. Ein polarisierter Stecker hat zwei Klinken, wobei eine dicker ist als die andere. Ein geerdeter Stecker hat zwei Klinken und einen dritten Erdungsstift. Die dickere Klinke oder der dritte Stift dienen Ihrer Sicherheit. Wenn der mitgelieferte Stecker nicht in Ihre Steckdose passt, sollten Sie die veraltete Steckdose durch einen Elektriker ersetzen lassen.
10. VERMEIDEN Sie, dass das Netzkabel belastet oder geknickt wird, vor allem bei Steckern, Zusatzsteckdosen und beim Ausgang aus dem Gerät.
11. Verwenden Sie AUSSCHLIESSLICH vom Hersteller empfohlene Zusatzgeräte/Zubehör.
12. VERWENDEN Sie ausschließlich Wagen, Stände, Stative, Halterungen oder Tische, die vom Hersteller empfohlen oder mit dem Gerät verkauft wurden. Bei Verwendung eines Wagens sollten Sie vorsichtig sein, damit Wagen und Gerät nicht umkippen und Verletzungen verursachen. 
13. TRENNEN Sie dieses Gerät bei Gewitter vom Netz, oder wenn es längere Zeit nicht benutzt wird.
14. Lassen Sie ALLE Wartungen von geschulten Kundendiensttechnikern durchführen. Eine Wartung ist nötig, wenn das Gerät auf irgendeine Weise beschädigt wurde, z.B. durch Schäden am Netzkabel oder -stecker, durch Verschütten von Flüssigkeiten, durch das Hineinfallen von Objekten, durch Regen oder Feuchtigkeit, wenn es nicht richtig funktioniert oder wenn es fallengelassen wurde.
15. Das Gerät darf KEINEN tropfenden oder spritzenden Flüssigkeiten ausgesetzt werden, und mit Flüssigkeit gefüllte Objekte (wie Blumenvasen) dürfen nicht auf dem Gerät platziert werden.
16. Um dieses Gerät ganz vom Stromnetz zu trennen, ziehen Sie das Netzkabel aus der Steckdose.
17. Der Netzstecker sollte stets in gutem Betriebszustand sein.



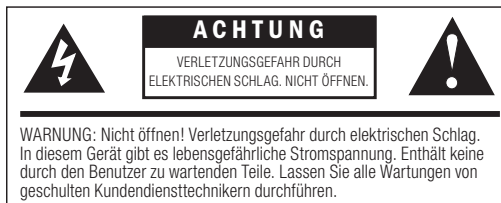
Ein Dreieck mit einem Ausrufezeichen in der Mitte soll Benutzer auf wichtige Hinweise zur Bedienung und Wartung des Geräts aufmerksam machen, die in der beiliegenden Dokumentation enthalten sind.



Durch das Blitzsymbol in einem gleichseitigen Dreieck soll der Benutzer gewarnt werden, dass bei mangelnder Isolierung „lebensgefährliche Spannungen“ auftreten können, die eine erhebliche Stromschlaggefahr darstellen.

WARNUNG: Um die Gefahr eines Feuers oder Stromschlags zu verringern, ist dieses Gerät vor Regen oder Feuchtigkeit zu schützen.

WARNUNG: Auf dem Produkt dürfen keine Flammenquellen, wie Kerzen, platziert werden.



WARNUNG: Dieses Produkt darf NUR mit den auf der Rückseite oder dem eingebauten Netzteil aufgelisteten Wechselstromspannungen betrieben werden. Ein Betrieb mit anderen Spannungswerten als den angezeigten könnte dem Produkt permanente Schäden zufügen und zu einem Erlöschen der Garantie führen. Vor dem Einsatz von Adaptersteckern ist zu warnen, da das Produkt dann u. U. mit Spannungen in Kontakt ist, für die es nicht konzipiert wurde. Wenn das Produkt ein abnehmbares Netzkabel hat, dürfen Sie nur das Ihrem Produkt beiliegende oder von Ihrem örtlichen Vertriebshändler/Fachhändler gelieferte Kabel verwenden. Wenn Sie die korrekte Betriebsspannung nicht kennen, wenden Sie sich bitte an Ihren örtlichen Vertriebshändler/Fachhändler.

INSPEKTION

Wir wollen sicherstellen, dass Ihr neues Lautsprechersystem fabriken aussieht! Prüfen Sie bitte gleich, ob etwaige Transportschäden vorliegen. Packen Sie Ihr neues Lautsprechersystem sorgfältig aus und vergleichen Sie die Komponenten mit der Packliste. In Extremfällen könnten Teile während des Transports beschädigt worden sein. Falls Schäden festgestellt werden, müssen Sie die Spedition und den Fachhändler benachrichtigen, bei dem Sie das System gekauft haben. Verlangen Sie eine Inspektion und folgen Sie den Bewertungsanweisungen. Werfen Sie den Lieferkarton des Produkts nicht weg.

PLATZIERUNG IHRES SW-SUBWOOFERS

Die Aktiv-Subwoofer von Klipsch bieten tiefen Bass und einen Klang, der Ihre Filme und Ihre Musik zum Leben erweckt. Eine Platzierung des Subwoofers in einer Zimmerecke an der gleichen Wand wie die vorderen Lautsprecher (siehe Abbildung 1) bringt meistens die besten Ergebnisse. Denken Sie daran, dass die Platzierung im Raum einen enormen Effekt auf die Leistung Ihres Aktiv-Subwoofers haben kann. Die oben empfohlene Platzierung in einer Ecke steigert die Bassleistung, während eine Platzierung an der Mitte einer Wand oder von den Wänden entfernt die Bassleistung verringert. Experimentieren Sie mit verschiedenen Platzierungen und Geräteeinstellungen, um die ideale Kombination für Ihren Raum und Ihren Geschmack zu finden. Wenn Sie die Position Ihres Subwoofers wählen, sollten Sie daran denken, dass Sie den eingebauten Verstärker des Subwoofers ans Stromnetz anschließen müssen.

ANSCHLÜSSE UND REGLER

ACHTUNG: Sicherstellen, dass der Subwoofer aus der Steckdose, bevor Sie irgendwelche Verbindungen unplugged. Verbinden Sie nicht gleichzeitig die „High Level-“ und „Line Level“-Eingänge, da dies zu Geräteschäden führen könnte.

„LINE IN“-Anschluss – Heutzutage verfügen die meisten Surround-Receiver (und Vorverstärker) über einen Line-Level-Subwooferausgang, der als Subwoofer Pre Out, Sub Out, SW Out etc. bezeichnet wird. Wenn dieser Ausgang vorhanden ist, verbinden Sie ein Ende des Subwooferkabels damit und das andere Ende des Kabels an den Subwoofereingang LEFT/LFE. Dadurch kann Ihr Subwoofer sowohl für Musik als auch Surroundsound-Filme eingesetzt werden (nähere Hinweise finden Sie im Handbuch Ihres Receivers). Falls Ihr Receiver keinen Subwooferausgang besitzt, können Sie auch die linken und rechten Vorverstärkerausgänge des Receivers (falls vorhanden) mit dem Left/LFE- und rechten Eingang am Subwoofer verbinden.

„HIGH LEVEL“-Anschluss – Falls Ihr Receiver (oder Vorverstärker) keinen als Subwoofer Pre Out, Sub Out, SW Out etc. markierten Anschluss besitzt, können Sie den SW-Subwoofer über den High-Level-Anschluss verbinden. Verwenden Sie Lautsprecherkabel mit 16 Gauge oder größer und verbinden Sie das ROTE, positive (+) Terminal des LINKEN Kanals Ihres Verstärkers mit dem ROTEN, positiven (+) Terminal des LINKEN Kanals Ihres Subwoofers (High Level In). Verbinden Sie das SCHWARZE, negative (-) Terminal des LINKEN Kanals Ihres Verstärkers mit dem SCHWARZEN, negativen (-) Terminal des LINKEN Kanals Ihres Subwoofers (High Level In). Wiederholen Sie dieses Verfahren zum Anschluss des RECHTEN Kanals Ihres Verstärkers. Passen Sie auf, dass keine blanken Drähte der Anschlüsse andere Terminals oder einander berühren, da dies zu Geräteschäden führen könnte. Diese Verbindung zu Ihrem Receiver erfolgt über die gleichen Terminals, an die auch Ihre Hauptlautsprecher angeschlossen sind.

Verstärkungsregler (GAIN) – Wenn Ihr Subwoofer an den Subwooferausgang eines Surroundsound-Receiver angeschlossen ist, stellen Sie den Subwoofer-Lautstärkereglers des Receivers zunächst auf die mittlere (0 dB) Position. Dann erhöhen Sie die Lautstärke (oder den Verstärkungsfaktor) des Subwoofers, bis der Lautstärkepegel des Subwoofers dem Ihrer Hauptlautsprecher entspricht. Nach Beendigung der Anpassung dient der Lautstärkereglers am Hauptverstärker Ihres Systems bzw. am Vorverstärker als gemeinsamer Lautstärkereglers für den Subwoofer und die Lautsprecher. Wenn Ihr Subwoofer an die linken und rechten Vorverstärkerausgänge eines Receivers angeschlossen ist oder wenn er über die High-Level-Verbindung an die Lautsprecherterminals des Receivers angeschlossen ist, muss am Receiver keine Subwoofer-Lautstärke eingestellt werden, bevor der Verstärkungsfaktor des Subwoofers eingestellt wird.

„LOWPASS“ (Tiefpass) – Der gewählte Crossover-Punkt bestimmt, wann tiefe Bassfrequenzen von den Lautsprechern an den Subwoofer „übergeben“ werden. Wenn Sie den Crossover-Punkt am Receiver einstellen, drehen Sie den Tiefpassfilter-Regler am Subwoofer ganz nach rechts (150 Hz). Stellen Sie den Crossover-Punkt entsprechend der Größe der im System verwendeten linken/

rechten Hauptlautsprecher ein. Als Faustregel gilt, dass man bei größeren Standlautsprechern den Crossover-Punkt zwischen 50 und 90 Hz einstellt. Wenn Sie kleinere Regallautsprecher oder Satellitenlautsprecher als Hauptlautsprecher verwenden, stellen Sie den Crossover-Punkt zwischen 90 und 150 Hz ein. Je kleiner der Lautsprecher, desto höher die Einstellung, bis die Bassfrequenzen nach der kompletten Einrichtung Ihres Systems nahtlos zwischen Lautsprechern und Subwoofer übergehen. Wenn Ihr Receiver keine Einstellung für den Crossover-Punkt besitzt, stellen Sie stattdessen den Tiefpassfilter am Subwoofer im Rahmen der gleichen empfohlenen Einstellungen ein (weitere Informationen zum Einrichten der Lautsprecher finden Sie im Handbuch des Receivers).

„PHASE“ 0/180 – Mit diesem Regler passen Sie die Ausgabe Ihres Subwoofers akustisch an die Hauptlautsprecher an. Wählen Sie die Position, entweder 0° oder 180°, bei der Ihr Subwoofer an der Hörposition lauter klingt.

NETZSCHALTER AUTO/ON/OFF – Dies ist der Hauptschalter für den Subwoofer. Zum Betrieb und zur Verwendung der AUTO/ON-Funktion muss der Schalter in der ON-Position stehen. Stellen Sie den Schalter auf OFF, wenn der Subwoofer längere Zeit nicht benutzt wird (z. B. in den Ferien).

Wenn der Schalter auf „AUTO“ steht, schaltet sich der Subwoofer bei Entdeckung eines Signals automatisch ein. Wenn kein Signal vorhanden ist, schaltet er sich automatisch nach 20 Minuten ab. Wenn dieser Schalter auf „ON“ steht, bleibt der Subwoofer eingeschaltet, wenn der Netzschalter in der Position „ON“ ist. Wenn dieser Schalter auf „OFF“ steht, bleibt der Subwoofer ausgeschaltet, wenn der Netzschalter in der Position „OFF“ ist.

LED-Netzanzeige – Diese LED auf der Schallwand zeigt den Betriebsstatus der eingebauten Verstärker. Die LED leuchtet grün, wenn der Verstärker eingeschaltet ist und ein Signal empfängt. Wenn die LED gar nicht aufleuchtet, ist der Verstärker ausgeschaltet. Weitere Informationen über die in diesem Handbuch erwähnten Regler und das Bass-Management können Sie von Ihrem Fachhändler oder auf www.klipsch.com erhalten.

PFLEGE UND REINIGUNG IHRES AKTIV-SUBWOOFERS

Ihr Subwoofer verfügt über eine dauerhafte Vinyl-Oberfläche, die nur mit einem trockenen Tuch abgestaubt oder gereinigt werden muss. Verwenden Sie keine Scheuer- oder Lösungsmittel oder scharfen Reinigungsmittel. Sie können Staub auf dem Subwoofer-Gehäuse mit dem Bürstenaufsatz eines Staubsaugers entfernen.

ELEKTROMAGNETISCHE VERTRÄGLICHKEIT (FCC UND KANADA)

HINWEIS: Dieses Gerät wurde geprüft und entspricht demnach den Grenzwerten für ein digitales Gerät der Klasse B gemäß Teil 15 der Richtlinien der US-Fernmeldebehörde (FCC). Diese Grenzwerte sollen einen angemessenen Schutz gegen störende Interferenzen bei Installationen in Wohngebieten bieten. Dieses Gerät erzeugt und verwendet HF-Energie und kann diese ausstrahlen; wenn es nicht gemäß den Anweisungen installiert und verwendet wird, kann es störende Interferenzen mit dem Funkverkehr verursachen. Allerdings wird nicht gewährleistet, dass es bei einer bestimmten Installation keine Interferenzen geben wird. Wenn dieses Gerät störende Interferenzen zum Radio- und Fernsehempfang verursacht (was durch Aus- und Einschalten des Geräts festgestellt werden kann), wird dem Benutzer nahegelegt, die Interferenz durch eines oder mehrere der folgenden Verfahren zu beheben:

Die Empfangsantenne anders ausrichten oder anderswo platzieren.
Den Abstand zwischen dem Gerät und dem Empfänger vergrößern.
Das Gerät in eine Steckdose eines Netzkreises einstecken, der nicht mit dem des Empfängers identisch ist.
Den Händler oder einen erfahrenen Radio- und Fernsehtechniker zu Rate ziehen.

Entsprechend den Prüfbestimmungen von FCC Part 15 als digitales Gerät der Klasse B genehmigt.

Vorsicht: Vom Hersteller nicht ausdrücklich genehmigte Änderungen oder Modifikationen können das Recht des Benutzers auf Betrieb des Geräts außer Kraft setzen.

Dieses Digitalgerät der Klasse B entspricht der kanadischen Norm ICES-003.

Das „IC:“ vor der Funkzertifizierungsnummer bedeutet lediglich, dass die von Industry Canada festgelegten technischen Spezifikationen erfüllt wurden.

Dieses Gerät erfüllt die Anforderungen der FCC- und IC-Strahlenbelastungsrichtlinie, die bei unkontrollierten Umgebungen gültig wird. Bei der Installation und dem Betrieb des Geräts sollte darauf geachtet werden, dass der Abstand zwischen dem Strahler und Ihrem Körper mindestens 20 cm beträgt. Dieser Sender darf nicht in der Nähe oder in Verbindung mit einer anderen Antenne oder einem anderen Sender betrieben werden.

Der Betrieb unterliegt den beiden folgenden Bedingungen: (1) Dieses Gerät darf keine Interferenzen verursachen und (2) dieses Gerät muss jegliche empfangenen Interferenzen aufnehmen können, einschließlich Interferenzen, die einen unerwünschten Betrieb verursachen können.

Um mögliche Funkstörungen bei anderen Benutzern zu vermeiden, sollten der Antennentyp und die Verstärkung so gewählt werden, dass die äquivalente isotrope Sendeleistung (Equivalent Isotropically Radiated Power, EIRP) den erlaubten Wert für eine erfolgreiche Übertragung nicht überschreitet.

EINHALTUNG VON EU-RICHTLINIEN:

Darf das CE-Zeichen führen. Entspricht der EU-Niederspannungsrichtlinie 2006/95/EC. Entspricht der EU-Richtlinie 2004/108/EC (Elektromagnetische Verträglichkeit) und der EU-Ecodesign-Richtlinie 2005/32/EC.

WEEE-HINWEIS

Hinweis: Dieses Zeichen gilt nur für Länder innerhalb der europäischen Union (EU) und Norwegen.



Diese Anwendung ist entsprechend der europäischen Richtlinie 2002/96/EC über Elektro- und Elektronik-Altgeräte (WEEE) ausgezeichnet. Dieses Etikett zeigt an, dass das Produkt nicht mit dem Hausmüll entsorgt werden darf. Es sollte an einer dafür vorgesehenen Einrichtung abgeliefert werden, um Wiederverwendung und Recycling zu ermöglichen.

PRODUKTREGISTRIERUNG

Registrieren Sie Ihr Produkt online unter www.klipsch.com/register

- Klipsch wird Sie über neue Produkte und Sonderangebote informieren.
- Ihre personenbezogenen Daten werden nie verkauft.
- Diese Registrierungsdaten werden nicht zu Garantiezwecken verwendet. Behalten Sie bitte Ihre Quittung, um die Garantie in Anspruch nehmen zu können.

Klipsch ist ein eingetragenes Warenzeichen von Klipsch Group Inc.

Abbildung 1 Platzierung der Lautsprecher im Hörbereich

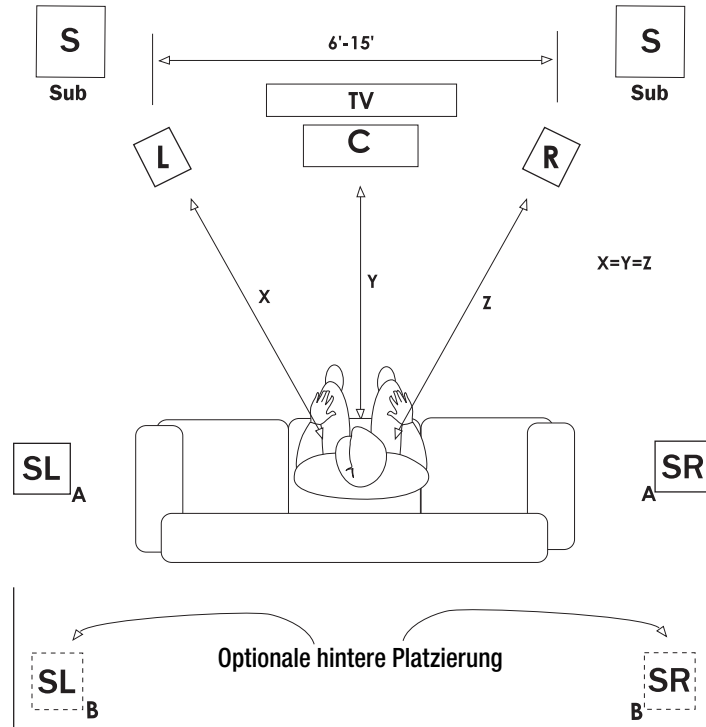
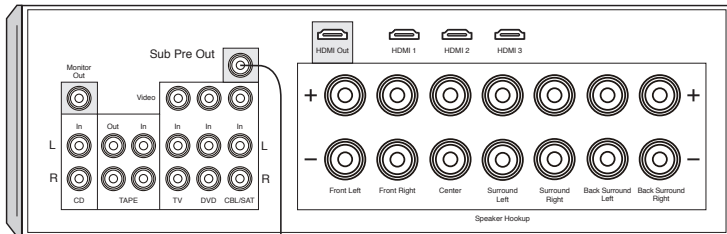


Abbildung 2 Anschluss der Subwoofer SW-110, SW-112 und SW-115

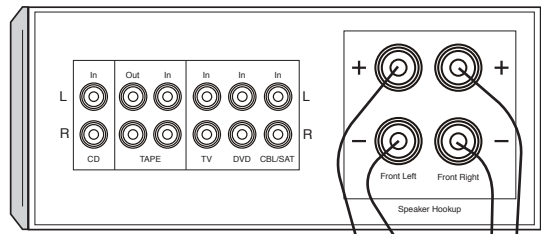
Ihr Klipsch SW-Subwoofer verfügt sowohl über Lautsprecher-Anschlüsse (Hochpegel) als auch Line-In-Eingänge (Niedrigpegel). Die verwendete Anschlussmethode hängt davon ab, an welche Art von Receiver (oder Vorverstärker) Sie den Subwoofer anschließen. Verwenden Sie nicht beide Anschlussmethoden gleichzeitig, da dies Ihr System beschädigen könnte. In den meisten Fällen wird die Line-In-Verbindung verwendet.

Line-In-Verbindung

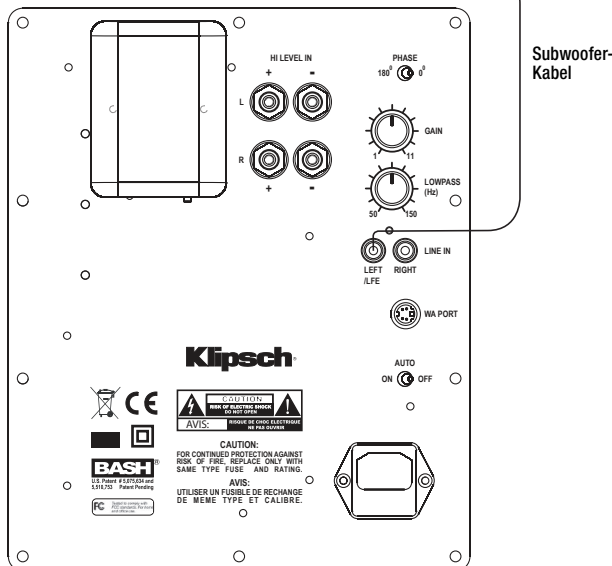


Surround-A/V-Receiver

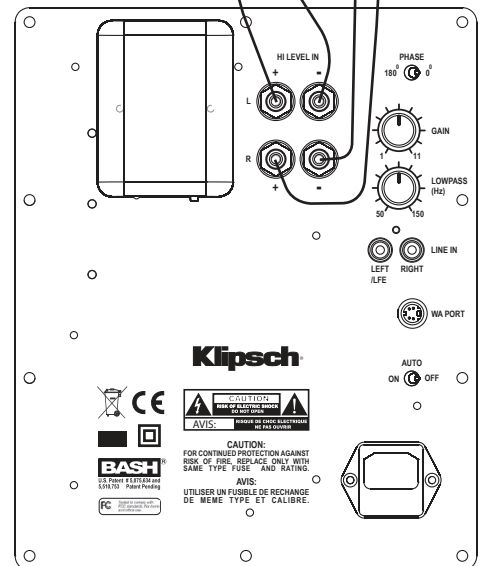
Hochpegel-Verbindung



Stereo-Receiver




Subwoofer-Kabel



16-Gauge-Lautsprecherkabel oder dicker

PORTUGUESE - INSTRUÇÕES IMPORTANTES DE SEGURANÇA

1. LEIA estas instruções.
2. GUARDE estas instruções.
3. FIQUE ATENTO a todos os avisos.
4. SIGA todas as instruções.
5. NÃO use este aparelho perto de água.
6. LIMPE APENAS com um pano seco.
7. NÃO bloqueie nenhuma abertura de ventilação. Instale de acordo com as instruções do fabricante.
8. Não instale próximo de quaisquer fontes de calor, tais como radiadores, saídas de ar quente, fogões ou outros aparelhos (incluindo amplificadores) que produzam calor.
9. NÃO anule a função de segurança do plugue polarizado ou aterrado. Um plugue polarizado tem dois pinos chatos, sendo um deles mais largo que o outro. Um plugue aterrado tem dois pinos chatos e um terceiro pino redondo de aterramento. O pino chato mais largo ou o terceiro pino redondo existem para sua segurança. Se o plugue fornecido não se encaixar na tomada, consulte um electricista para trocar a tomada obsoleta.
10. PROTEJA o cabo de alimentação para que não seja pisoteado nem prensado, sobretudo no plugue, em tomadas posicionadas no piso e no ponto onde sai do aparelho.
11. USE APENAS acessórios especificados pelo fabricante.
12. USE apenas com um carrinho, pedestal, tripé, suporte ou mesa recomendado pelo fabricante ou vendido com o aparelho. Ao usar um carrinho, tome cuidado ao movê-lo com o aparelho para evitar se ferir caso caia. 
13. DESLIGUE o aparelho da tomada durante tempestades elétricas ou quando ficar fora de uso por longos períodos de tempo.
14. TODA a manutenção deve ser realizada por pessoal de manutenção qualificado. É necessário prestar assistência técnica ao aparelho quando tiver sofrido danos de qualquer tipo, tais como danos ao cabo de alimentação ou ao plugue, derramamento de líquido ou queda de objetos dentro do aparelho, exposição do aparelho à chuva ou umidade, mau funcionamento ou queda do aparelho.
15. NÃO exponha este equipamento a respingos ou borrifos e certifique-se de que nenhum objeto que contenha líquidos, como vasos, sejam colocados sobre o equipamento.
16. Para desconectar completamente este equipamento da corrente elétrica, desconecte o plugue do cabo de alimentação da tomada.
17. O plugue principal do cabo de alimentação deve ser mantido pronto para ser utilizado.



O ponto de exclamação dentro de um triângulo equilátero visa alertar o usuário quanto à inclusão de instruções importantes sobre o funcionamento e a manutenção (reparos) no material impresso que acompanha o produto.



O símbolo do raio com uma seta, dentro de um triângulo equilátero, visa alertar o usuário quanto à presença de tensão perigosa não isolada dentro do compartimento do produto, que pode ser potente o suficiente para representar um risco de choque elétrico às pessoas.

ATENÇÃO: Para reduzir o risco de incêndio ou choque elétrico, não exponha este aparelho à chuva ou à umidade.

ATENÇÃO: Nenhuma fonte de chama exposta, como, por exemplo, uma vela, deve ser colocada em cima do produto.

ATENÇÃO: Este produto SÓ deve ser alimentado com as tensões de CA relacionadas no painel



traseiro ou pela fonte de alimentação que o acompanha. A alimentação proveniente de tensões que não sejam as identificadas pode causar dano irreversível ao produto e anular sua garantia. O uso de adaptadores de tomadas de CA deve ser evitado, pois pode permitir que o produto seja ligado em tensões para as quais não foi projetado. Se o produto estiver equipado com um cabo de alimentação removível, use apenas o tipo fornecido com o produto ou pelo distribuidor e/ou revendedor local. Caso não tenha certeza quanto à tensão operacional correta, entre em contato com o distribuidor e/ou revendedor local.

INSPEÇÃO

Queremos que seu novo sistema de caixas acústicas mantenha sempre a aparência de novo! Por isso, inspecione-o imediatamente para verificar se sofreu algum dano durante o transporte. Desembale com cuidado o novo sistema de caixas acústicas e verifique se todos os componentes descritos na lista estão presentes. Em circunstâncias extremas, alguns componentes podem sofrer danos durante o transporte. Nesse caso, avise a transportadora e o revendedor onde o sistema foi adquirido. Faça um pedido de inspeção e siga as instruções recebidas para avaliar os danos. Não descarte a caixa original utilizada para transportar o produto.

POSICIONAMENTO DO SUBWOOFER SW

Os subwoofers amplificados da Klipsch são projetados para reproduzir graves profundos e produzir o impacto que faz com que os filmes e músicas ganhem vida. Normalmente, pode-se obter o desempenho ideal se o subwoofer for colocado em um canto do ambiente, na mesma parede que as caixas acústicas do canal frontal (veja a figura 1). Observe que o posicionamento pode ter um efeito profundo sobre o desempenho do subwoofer amplificado. Se a unidade for colocada em um canto, como sugerido acima, aumentará a reprodução de graves. Se for colocada no meio de uma parede, ou em um espaço aberto no ambiente, a reprodução de graves diminuirá. Experimente várias configurações de posicionamento e de controle para encontrar a mais adequada para o tipo de ambiente e sua preferência. Ao escolher a localização do subwoofer, não se esqueça de que será necessário ligar o amplificador integrado do subwoofer em uma tomada elétrica de CA.

CONEXÕES E CONTROLES

CUIDADO: Verifique se o subwoofer está desconectado da tomada AC antes de efetuar quaisquer ligações. Não conecte as entradas “High Level” (Nível elevado) e “Line Level” (Nível de linha) ao mesmo tempo, pois isso poderá danificar o equipamento.

Conexão “LINE IN” – A maioria dos receivers (e pré-amplificadores) atuais tem uma saída de subwoofer de nível de linha identificada com os dizeres Subwoofer Pre Out, Sub Out, SW Out, etc. Se o aparelho tiver este tipo de saída, conecte uma extremidade do cabo de subwoofer nela e conecte a outra extremidade do cabo na entrada de linha do subwoofer marcada LEFT/LFE. Esta conexão permite que o subwoofer seja usado para reproduzir trilhas sonoras musicais e de filmes com som surround (consulte o manual do receiver). Como alternativa de conexão, se o receiver não tiver uma saída para subwoofer, é possível conectar as saídas dos canais esquerdo (Left) e direito (Right) para pré-amplificador do receiver (se existirem) à entrada esquerda/LFE (Left/LFE) e direita (Right) do subwoofer.

Conexão “HIGH LEVEL” – Se o receiver (ou pré-amplificador) não tiver uma conexão Subwoofer Pre Out, Sub Out, SW Out, etc., é possível conectar o subwoofer SW através da conexão High Level. Usando um cabo para caixa acústica bitola 16 AWG ou maior, conecte o terminal “positivo” (+) VERMELHO do canal ESQUERDO do amplificador ao terminal “positivo” (+) VERMELHO da entrada do canal ESQUERDO (High Level In) do subwoofer. Conecte o terminal “negativo” (-) PRETO do canal ESQUERDO do amplificador ao terminal “negativo” (-) PRETO da entrada do canal ESQUERDO (High Level In) do subwoofer. Repita este procedimento para conectar a entrada do canal DIREITO do amplificador. Certifique-se de que nenhum fio exposto de qualquer uma das conexões toque em qualquer um dos demais terminais, nem entre si, pois isto poderá danificar o equipamento. Esta conexão ao receiver será nos mesmos terminais onde as caixas acústicas principais estão conectadas.

Controle “GAIN” – Se o subwoofer estiver conectado a uma saída para subwoofer de um receiver surround, ajuste primeiro o controle do volume do subwoofer no receiver para “metade”, ou seja, posição de “0 dB”. Depois aumente o volume (ou ganho) do subwoofer até que o nível de volume do subwoofer corresponda à saída das caixas acústicas principais. Depois de completar este ajuste, o controle do volume no amplificador principal do sistema ou do pré-amplificador controlará o volume do subwoofer e das caixas acústicas. Se o subwoofer estiver conectado às saídas de pré-amplificador esquerda/direita de um receiver ou estiver conectado através da conexão High-Level dos terminais de caixas acústicas do receiver, não será necessário fazer qualquer ajuste no volume do subwoofer no receiver antes de ajustar o controle de ganho do subwoofer.

Controle “LOWPASS” – O ponto de crossover escolhido determina onde as frequências passa baixas são “transferidas” das caixas acústicas para o subwoofer. Se for ajustar o ponto de crossover no receiver, gire o botão de controle do filtro passa baixas (Lowpass) o máximo para a direita (150 Hz). Ajuste o ponto de crossover com base no tamanho das caixas acústicas principais esquerda/direita usadas no sistema. Como regra geral, para caixas acústicas de piso maiores, ajuste o ponto

de crossover entre 50 e 90 Hz. Se estiver usando caixas acústicas de estante ou "satélite" como unidades principais, ajuste o ponto de crossover entre 90 e 150 Hz. Quanto menor a caixa acústica, maior o ajuste, até haver uma boa combinação das frequências mais baixas (graves) entre as caixas acústicas e o subwoofer quando todas as conexões do sistema estiverem feitas. Se o receiver não tiver um controle de ajuste do ponto de crossover, ajuste o filtro passa baixas (Lowpass) do subwoofer com os mesmos níveis recomendados (consulte o manual do receiver para obter mais informações de configuração das caixas acústicas).

"PHASE" 0/180 – Este controle é usado para estabelecer correlação acústica entre a saída do subwoofer e a das caixas acústicas principais. Selecione a posição, 0o ou 180o, na qual o subwoofer tem melhor reprodução na posição ocupada pelo ouvinte.

"POWER" AUTO/ON/OFF – Esta é a chave liga/desliga principal do subwoofer. Esta chave deve permanecer na posição "ON" para que o subwoofer funcione e o recurso "AUTO/ON" possa ser utilizado. Coloque a chave na posição "OFF" se o subwoofer não for ser usado durante um período de tempo prolongado (por exemplo, durante as férias).

Quando esta chave está na posição "AUTO", o subwoofer liga automaticamente ao detectar um sinal e desliga automaticamente depois de 20 minutos de ausência de sinal. Quando esta chave está na posição "ON", o subwoofer ficará ligado enquanto a chave liga/desliga estiver na posição "ON" (ligado). Quando esta chave está na posição "OFF", o subwoofer ficará desligado enquanto a chave liga/desliga estiver na posição "OFF" (desligado).

LED indicador de ativação – O defletor dianteiro, este LED indica o status operacional do amplificador. O LED ficará aceso na cor verde quando estiver ligado e recebendo um sinal. Se o LED estiver apagado, isto indica que o amplificador está desligado. Para obter mais informações sobre os controles mencionados neste manual e sobre os ajustes de controle de graves, consulte o revendedor ou visite o site www.klipsch.com.

COMO CUIDAR E LIMPAR O SUBWOOFER AMPLIFICADO

O subwoofer tem um acabamento de vinil durável que só requer a remoção de poeira ou uma limpeza com um pano seco. Evite usar produtos de limpeza abrasivos ou à base de solventes, bem como detergentes fortes. O acessório da escova de um aspirador de pó é suficiente para remover toda a poeira presente na caixa do subwoofer.

INFORMAÇÕES SOBRE AS NORMAS DE CONFORMIDADE ELETRO-MAGNÉTICA DA FCC E DO GOVERNO DO CANADÁ

NOTA: Este equipamento foi testado e está em conformidade com os limites de um dispositivo digital Classe B, segundo a parte 15 das Regras da FCC. Estes limites foram concebidos para proporcionar proteção razoável contra interferência prejudicial em uma instalação residencial. Esse equipamento gera, usa e pode irradiar energia de radiofrequência e, se não for instalado e utilizado de acordo com as instruções, pode causar interferência prejudicial nas comunicações de rádio. Entretanto, não há garantia de que não ocorrerá interferências em instalações específicas. Se este equipamento causar interferência prejudicial na recepção de rádio ou televisão, o que pode ser determinado desligando e ligando o equipamento, recomenda-se que o usuário tente corrigir a interferência adotando uma ou mais das seguintes medidas:

Reorientar ou reposicione a antena de recepção.
Aumente a distância entre o equipamento e o receptor.
Ligue o equipamento em uma tomada em um circuito diferente do circuito ao qual o receptor está conectado. Consulte o revendedor ou um técnico de rádio/televisão experiente para obter ajuda.

Aprovado no âmbito da disposição de verificação da Parte 15 da FCC como um dispositivo digital de Classe B.

Cuidado: Alterações ou modificações que não sejam expressamente aprovadas pelo fabricante podem resultar na anulação do direito do usuário de usar este dispositivo.

Este aparelho digital de Classe B está em conformidade com a norma ICES-003 do Canadá.

O termo "IC" antes do número de certificação de rádio significa que as especificações técnicas da Industry Canada foram atendidas.

Este equipamento está em conformidade com os limites de exposição à radiação estabelecidos pela FCC e pela IC para ambientes não controlados. Este equipamento deve ser instalado e utilizado a uma distância mínima de 20 cm entre o radiador e o corpo do usuário. Este transmissor não deve ser colocado nem utilizado junto com qualquer outra antena ou transmissor.

A operação está sujeita às duas condições descritas a seguir: (1) este dispositivo não deve causar interferência, e (2) este dispositivo deve aceitar todo tipo de interferência, incluindo interferências que possam fazer com que tenha funcionamento indesejável.

Para reduzir a possibilidade de interferência de rádio a outros usuários, o tipo de antena e seu ganho devem ser escolhidos de modo que a potência efetiva isotropicamente irradiada (e.i.r.p.) não seja superior ao limite permitido para uma boa comunicação.

INFORMAÇÕES SOBRE CONFORMIDADE COM AS NORMAS DA UNIÃO EUROPEIA

Qualificado para exibir a marca CE; está em conformidade com a Diretiva sobre Baixa Tensão da União Europeia 2006/95/EC; está em conformidade com a Diretiva sobre Compatibilidade Eletromagnética (EMC) da União Europeia 2004/108/EC e com a Diretiva de Projeto Ecológico da União Europeia 2005/32/EC.

AVISO SOBRE A DIRETIVA WEEE



Nota: Esta marca se aplica apenas aos países da União Europeia (UE) e à Noruega. Este aparelho está rotulado em conformidade com a Diretiva Europeia 2002/96/EC relativa a resíduos de equipamentos elétricos e eletrônicos (WEEE). Este rótulo indica que este produto não deve ser descartado junto com lixo residencial.

Deve ser levado para uma instalação apropriada para ser recuperado e reciclado.

REGISTRO DO PRODUTO

Registre o produto on-line no site www.klipsch.com/register

- A Klipsch o manterá atualizado sobre novos produtos e promoções.
- Suas informações pessoais nunca serão vendidas a terceiros.
- As informações solicitadas para registro do produto não são usadas para fins de garantia. Guarde uma cópia da nota fiscal ou recibo como comprovante para serviços cobertos pela garantia.

Klipsch é uma marca registrada da Klipsch Group Inc.

Figura 1 Posicionamento das caixas acústicas no ambiente

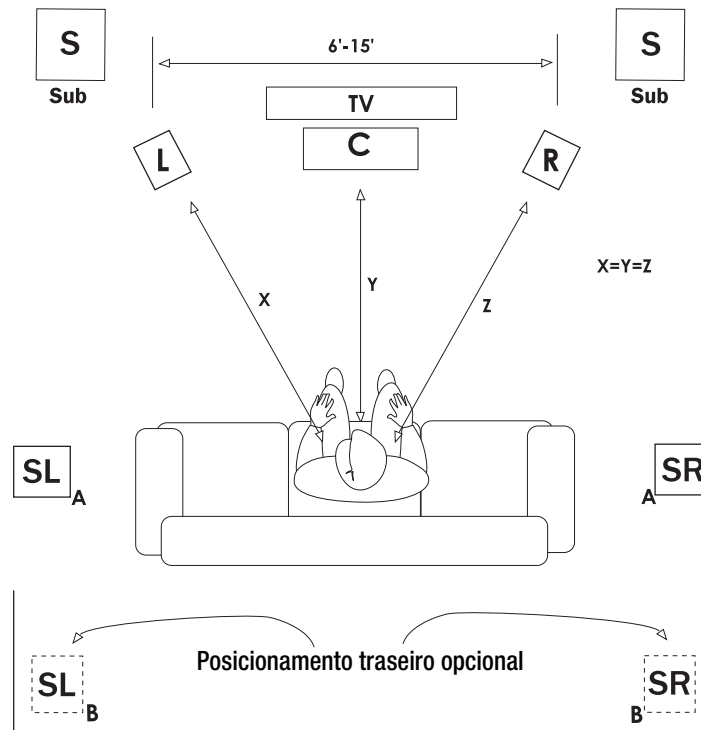
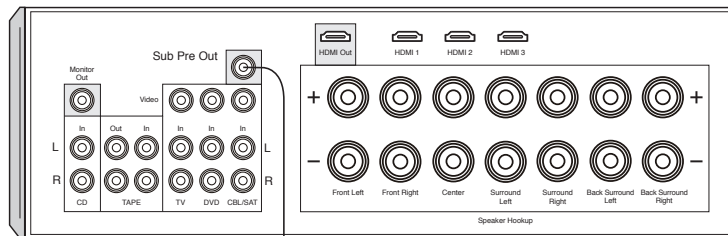


Figura 2 Esquema de conexão dos subwoofers SW-110, SW-112 e SW-115

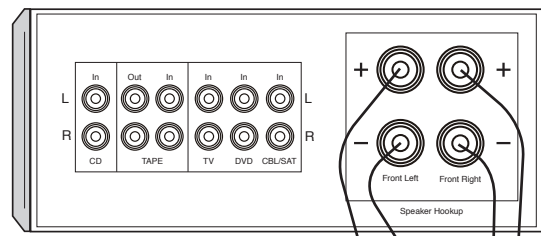
O subwoofer SW da Klipsch vem equipado com terminais de conexão a nível de caixa acústica (Speaker) (High - Alto) e entrada de linha (Line In) (Low - Baixo). O tipo de conexão usado depende do tipo de receiver (ou pré-amplificador) ao qual o subwoofer é conectado. Não faça as duas conexões ao mesmo tempo, pois isso poderá danificar o sistema! A maioria das conexões requer a conexão Line In (Entrada de linha).

Conexão "entrada de linha"



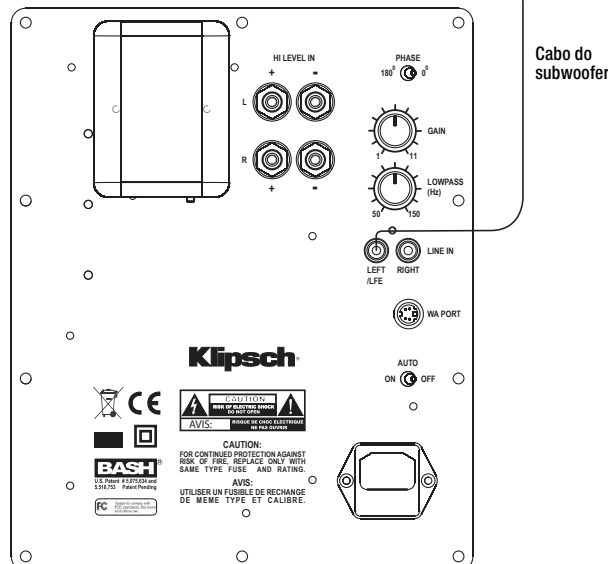
Receiver A/V surround

Conexão "alto nível"

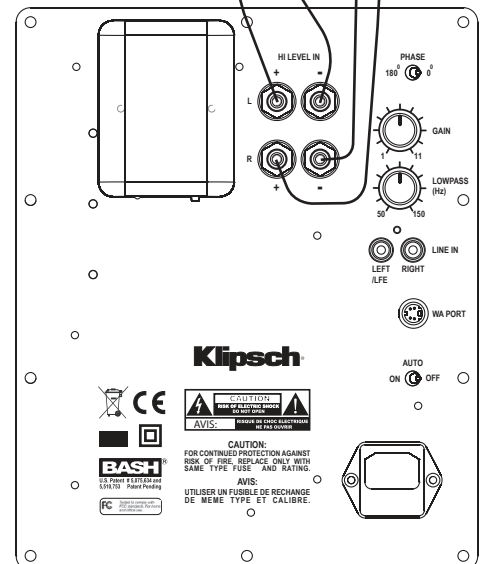


Receiver estéreo

Cabo para caixas acústicas bitola 16 AWG ou maior



Cabo do subwoofer



SPANISH - INSTRUCCIONES IMPORTANTES DE SEGURIDAD

1. LEA estas instrucciones.
2. GUARDE estas instrucciones.
3. RESPETE todas las advertencias.
4. SIGA todas las instrucciones.
5. NO use este aparato cerca del agua.
6. LÍMPIELO SOLAMENTE con un paño seco.
7. NO bloquee las aberturas de ventilación. Instale el aparato de acuerdo con las instrucciones del fabricante.
8. NO lo instale cerca de fuentes de calor tales como radiadores, rejillas de calefacción, cocinas u otros aparatos (incluso amplificadores) que generan calor.
9. NO anule la seguridad implícita en el enchufe polarizado o con conexión a tierra. Los enchufes polarizados tienen dos patas, una más ancha que la otra. Los enchufes con conexión a tierra tienen dos patas iguales y una clavija de conexión a tierra. La pata ancha o la clavija de conexión a tierra han sido incorporadas al diseño por la seguridad del usuario. Si el enchufe no entra en el tomacorriente, consulte a un electricista para que cambie el tomacorriente obsoleto.
10. EVITE que el cordón de alimentación sea pisado o aplastado, en particular cerca de los enchufes o tomacorrientes, y en el punto en que los cordones salen del aparato.
11. USE SÓLO los accesorios especificados por el fabricante.
12. PONGA el aparato solamente en el carrito, pedestal, trípode, soporte o mesa especificado por el fabricante o vendido con el aparato. Sea precavido cuando mueva el aparato en un carrito para evitar las lesiones que pueda producir un volcamiento.
13. DESENCHUFE el aparato durante las tormentas eléctricas o cuando no lo vaya a usar durante largos períodos de tiempo.
14. ENCARGUE todo servicio al personal de servicio calificado. Se requiere servicio cuando el aparato ha sido dañado de alguna manera, tal como cuando se ha dañado el enchufe o el cordón de alimentación, han caído líquidos u objetos dentro del aparato, o el aparato se ha dejado caer, ha dejado de funcionar normalmente o ha sido expuesto a la lluvia o a la humedad.
15. NO exponga este aparato a goteras o salpicaduras de agua y asegúrese de que no se le coloquen encima objetos llenos de líquido, tales como floreros.
16. Para desconectar completamente este aparato del suministro de corriente alterna, retire del tomacorriente de corriente alterna el enchufe del cordón de alimentación.
17. El enchufe del cordón de alimentación para el tomacorriente de suministro debe quedar ubicado de manera tal que el usuario pueda manipularlo fácilmente.



El signo de admiración dentro de un triángulo equilátero tiene por objeto avisar al usuario que hay información importante sobre operación y mantenimiento (servicio) en los folletos que acompañan al producto.



El símbolo compuesto por un rayo con punta de flecha dentro de un triángulo equilátero tiene por objeto advertirle al usuario que dentro del aparato hay "voltajes peligrosos" no aislados cuya magnitud puede ser suficiente para constituir un riesgo de descarga eléctrica para las personas.

ADVERTENCIA: Para reducir el riesgo de incendio o descarga eléctrica, no exponga este aparato a la lluvia o a la humedad.

ADVERTENCIA: No se deben colocar fuentes de llama expuesta, tales como velas, encima de este producto.

	ADVERTENCIA RIESGO DE DESCARGA ELÉCTRICA. NO ABRIR.	
ADVERTENCIA. No abrir. Riesgo de descarga eléctrica. Los voltajes que hay dentro de este equipo son peligrosos para los seres vivos. Dentro del dispositivo no hay piezas que el usuario pueda reparar. Encargue todo servicio al personal de servicio calificado.		

ADVERTENCIA. Este producto ha sido diseñado para funcionar EXCLUSIVAMENTE con los voltajes de corriente alterna indicados en el panel de atrás o con la fuente de alimentación incluida. El funcionamiento con voltajes no indicados puede causar daños irreversibles al producto y anular la garantía. Se recomienda usar con precaución los adaptadores de enchufe de corriente alterna porque pueden permitir que el producto se conecte a voltajes para los cuales no ha sido diseñado. Si el producto tiene un cordón de alimentación desprendible, utilice exclusivamente el tipo de cable que viene con el producto o el que suministra su distribuidor y/o minorista local. Si no está seguro del voltaje correcto de funcionamiento, comuníquese con su distribuidor y/o minorista local.

INSPECCIÓN

Deseamos que su nuevo sistema de altavoces se vea tan bien como se veía cuando salió de la fábrica. Vea rápidamente si se han producido daños durante el transporte. Desempaque cuidadosamente su nuevo sistema de altavoces y vea si en el paquete vienen todos los componentes indicados en la lista de empaque. En circunstancias extremas, es posible que algunas piezas o componentes se hayan

dañado en tránsito. Si descubre daños, notifique al servicio de entregas y al minorista donde compró el sistema. Solicite una inspección y siga las instrucciones de evaluación. Conserve la caja de cartón original de envío del producto.

UBICACIÓN DEL SUBWOOFER SW

Los subwoofers alimentados de Klipsch han sido diseñados para reproducir bajos profundos y generar el impacto que hace que sus películas y su música cobren vida. Por lo general, el desempeño óptimo se logra si el subwoofer se coloca en una esquina de la sala junto a la misma pared en la cual se ponen los altavoces de canal frontal (Consulte la figura 1). Tenga en cuenta que la ubicación en la sala puede tener un profundo efecto en el rendimiento del subwoofer alimentado. Poner el subwoofer en una esquina, como se sugiere anteriormente, aumenta el rendimiento de bajos; ponerlo al centro de la pared o fuera de la sala lo disminuye. Experimente con diversas opciones de colocación y configuraciones de controles hasta encontrar las que mejor se adaptan a la sala y a su gusto en particular. Cuando escoja la ubicación del subwoofer, tenga en cuenta que es necesario conectar el amplificador integrado del subwoofer a un enchufe de corriente alterna.

CONEXIONES Y CONTROLES

PRECAUCIÓN: Asegúrese de que el subwoofer esté desenchufado de la toma de corriente antes de realizar cualquier conexión. No conecte las entradas de Alto Nivel (High Level) y las entradas de Nivel de Línea (Line Level) al mismo tiempo, pues puede dañar el equipo.

Conexión de línea de entrada (LINE IN). La mayoría de los receptores (y preamplificadores) surround de hoy en día tienen una salida de subwoofer de nivel de línea que dice Subwoofer Pre Out, Sub Out, SW Out, etc. Si su receptor (o preamplificador) tiene esta salida, conéctele un extremo de un cable de subwoofer y conecte el otro extremo del cable a la entrada de línea del subwoofer que dice LEFT/LFE. Esta conexión le permite al subwoofer funcionar con música y películas de sonido surround (consulte el manual del receptor). Si no hay salida de subwoofer en el receptor, puede conectar salidas de preamplificación de canal izquierdo y canal derecho desde el receptor (si las tiene) a la entrada derecha y la entrada izquierda/LFE del subwoofer.

Conexión de alto nivel (HIGH LEVEL). Si el receptor o preamplificador no tiene una conexión que diga Subwoofer Pre Out, Sub Out, SW Out, etc., puede conectar el subwoofer SW a través de la conexión de alto nivel. Con cable de altavoz calibre 16 o más grueso, conecte la terminal positiva roja (+) del canal izquierdo (LEFT) del amplificador a la terminal positiva roja (+) de la Entrada de Alto Nivel (HIGH LEVEL IN) del canal izquierdo (LEFT) del subwoofer. Conecte la terminal negativa negra (-) del canal izquierdo del amplificador a la terminal negativa negra (-) de la Entrada de Alto Nivel (HIGH LEVEL IN) del canal izquierdo del subwoofer. Repita este procedimiento para conectar la entrada del canal derecho (RIGHT). Asegúrese de que no haya en ninguna conexión cables desnudos que puedan tocar alguna de las otras terminales, pues esto puede dañar su equipo. Esta conexión al receptor se hace a las terminales a las cuales están conectados los altavoces principales.

Control de volumen (GAIN). Si el subwoofer está conectado a la salida de subwoofer de un receptor surround, ponga primero el control de volumen del subwoofer del receptor "a la mitad" o en la posición "0 dB". Luego aumente el volumen (es decir, la amplificación) del subwoofer hasta que el volumen del subwoofer corresponda a la salida de los altavoces principales. Después de hacer esta configuración, el control de volumen del amplificador o preamplificador principal del sistema será el control de volumen común del subwoofer y de los altavoces. Si el subwoofer está conectado a las salidas de preamplificación izquierda y derecha de un receptor, o está cableado a través de la conexión de alto nivel a las terminales de altavoz del receptor, en ese receptor no será necesario fijar el volumen de subwoofer antes de configurar el control de volumen del subwoofer.

Control de pasabajas (LOWPASS). El punto de crossover escogido determina el límite superior de las frecuencias que se pasan de los altavoces al subwoofer. Si se va a fijar el punto de crossover en el receptor, gire la perilla del filtro de pasabajas del subwoofer al máximo a la derecha (150 Hz). Fije el punto de crossover según el tamaño de los altavoces principales izquierdo y derecho que tenga el sistema. Como regla general, para altavoces grandes, de piso, fije el punto del crossover entre 50 Hz y 90 Hz. Si los altavoces principales son altavoces pequeños o altavoces satélite, fije el punto de crossover entre 90 Hz y 150 Hz. Mientras más pequeño sea el altavoz, más alto debe ser el ajuste hasta que las frecuencias de bajos se combinen bien entre los altavoces y el subwoofer una vez que el sistema quede completamente cableado. Si el receptor no tiene ajuste del punto de crossover, fije el filtro de pasabajas del subwoofer según las mismas configuraciones recomendadas (consulte el manual del receptor si desea información adicional de configuración de altavoces).

Fase (PHASE) 0/180. Este control se utiliza para hacer corresponder acústicamente la salida del subwoofer con la de los altavoces principales. Seleccione la posición, 0° ó 180°, en la cual el subwoofer produzca la mayor cantidad de bajos en la posición de audición.

ENCENDIDO Y APAGADO (POWER ON/OFF). Este es el interruptor principal de alimentación de corriente alterna del subwoofer. Este interruptor debe estar en la posición de encendido (ON) para que el subwoofer funcione y la característica de encendido automático (AUTO ON) esté activa. Fije este interruptor en la posición de apagado (OFF) si no va a utilizar el subwoofer por un período extenso de tiempo (p. ej., por vacaciones).

Cuando este interruptor está en la posición AUTO, el subwoofer se enciende automáticamente cuando detecta una señal. Si pasan más de 20 minutos sin señal, el subwoofer se apaga automáticamente. Cuando este interruptor está en la posición ON, el subwoofer permanece encendido mientras el interruptor de encendido y apagado (POWER ON/OFF) esté en la posición de encendido (ON). Cuando este interruptor está en la posición OFF, el subwoofer permanece apagado mientras el interruptor de encendido y apagado (POWER ON/OFF) esté en la posición de apagado (OFF).

Indicador LED de alimentación. Este LED se encuentra en deflector delantero y se indica el estado de funcionamiento del amplificador integrado. El LED se ilumina de color verde cuando el amplificador está encendido y recibiendo una señal. Si el LED está oscuro, no iluminado, el amplificador está apagado. Para obtener más información sobre los controles mencionados en este manual y sobre procesamiento de bajos, vea a su distribuidor o vaya al sitio Web www.klipsch.com.

CUIDADO Y LIMPIEZA DEL SUBWOOFER ALIMENTADO

El subwoofer tiene un acabado de vinilo resistente que solamente requiere quitarle el polvo o limpiarlo con un paño seco. Evite el uso de limpiadores abrasivos o con base de solvente y detergentes fuertes. El accesorio de cepillo de la aspiradora sirve para quitarle el polvo a la caja del subwoofer.

INFORMACIÓN SOBRE CUMPLIMIENTO DE COMPATIBILIDAD ELECTROMAGNÉTICA (ELECTROMAGNETIC COMPATIBILITY, EMC) DE LA FCC Y DE CANADÁ

NOTA. Este equipo ha sido sometido a pruebas y se ha determinado que cumple con los límites establecidos para un dispositivo digital Clase B, en conformidad con la Parte 15 del Reglamento de la FCC. Estos límites se han fijado para ofrecer una protección razonable contra la interferencia perjudicial en una instalación residencial. Este equipo genera, emplea y puede radiar energía de frecuencias de radio y, si no se instala y emplea de acuerdo con las instrucciones, puede causar interferencia perjudicial en las comunicaciones de radio. Sin embargo, no hay garantía de que no

habrá interferencia en una instalación en particular. Si este equipo causa interferencia perjudicial a la recepción de radio o de televisión, lo cual puede determinarse apagando y encendiendo el equipo, el usuario puede tratar de corregir la interferencia por medio de una o varias de las siguientes medidas:

Reorientar o reubicar la antena de recepción.

Alejar el equipo del receptor

Conectar el equipo y el receptor a tomacorrientes de circuitos diferentes.

Consultar al distribuidor o a un técnico experimentado de radio y televisión.

Aprobado bajo la disposición de verificación de la Parte 15 del Reglamento de la FCC como dispositivo digital Clase B.

Precaución: Los cambios o modificaciones no aprobados expresamente por el fabricante pueden anular la autorización del usuario para hacer funcionar este dispositivo.

Este dispositivo digital Clase B cumple con la norma canadiense ICES-003.

El término "IC" antes del número de certificación de radio significa simplemente que se han cumplido las especificaciones técnicas de Industry Canada.

Este equipo cumple con los límites de exposición a la radiación de la IC y la FCC establecidos para ambientes no controlados. Este equipo se debe instalar y hacer funcionar con una distancia mínima de 20 cm entre el receptor y el cuerpo. Este transmisor no se debe colocar ni hacer funcionar en combinación con ninguna otra antena o transmisor.

El funcionamiento está sujeto a lo siguiente: (1) este dispositivo no debe causar interferencia y (2) este dispositivo debe aceptar toda interferencia, incluso la que pueda causar un funcionamiento no deseado.

Para reducir la posible interferencia de radio causada a otros usuarios, el tipo de antena y su amplificación se deben escoger de manera que la potencia equivalente radiada isotrópicamente (equivalent isotropically radiated power, e.i.r.p.) no sea más que la permitida para que haya buenas comunicaciones.

INFORMACIÓN DE CONFORMIDAD EN LA UNIÓN EUROPEA (EUROPEAN UNION, EU)

Tiene derecho a llevar la marca CE: satisface la directiva de bajo voltaje 2006/95/EC de la Unión Europea, la directiva de EMC 2004/108/EC de la Unión Europea y la directiva de requisitos de ecodiseño 2005/32/EC de la Unión Europea.

AVISO DE LA DEEE

Nota: Esta marca se aplica sólo a países de la Unión Europea (European Union, EU) y Noruega.



Este dispositivo ha sido etiquetado de acuerdo con la directiva europea 2002/96/EC sobre Desechos de Equipo Eléctrico y Electrónico (DEEE) (Waste Electrical and Electronic Equipment, WEEE). Esta etiqueta indica que este producto no se debe desechar con desperdicios domésticos. Se debe dejar en un establecimiento apropiado para su recuperación y reciclaje.

REGISTRO DEL PRODUCTO

Registre su producto en línea en www.klipsch.com/register

- Klipsch lo mantendrá al día sobre nuevos productos y promociones
- Sus datos personales no se venderán nunca.
- Esta información de registro no se utiliza para propósitos de garantía.
Conserve su recibo para hacer las reclamaciones de garantía.

Klipsch es una marca registrada de Klipsch Group Inc.

Figura 1 Ubicación del altavoz en el área de audición.

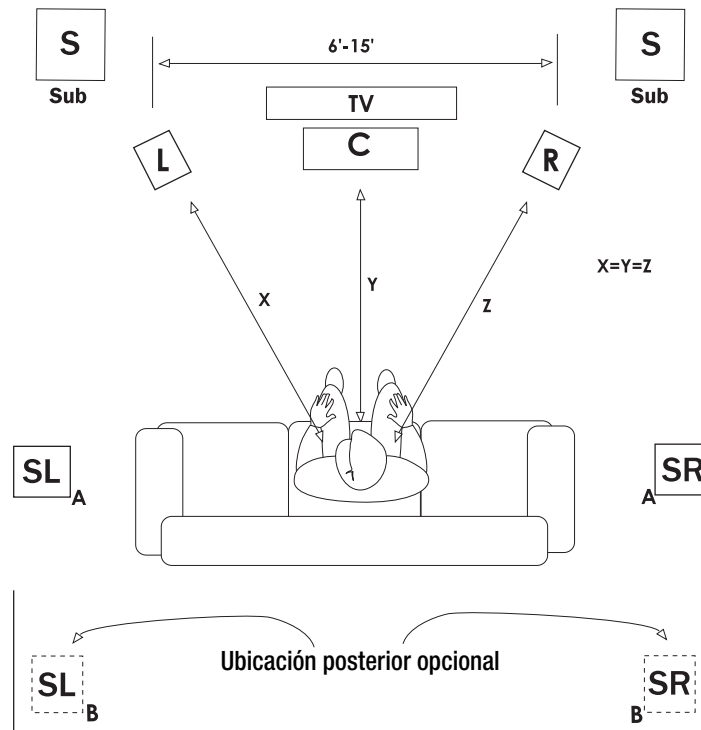
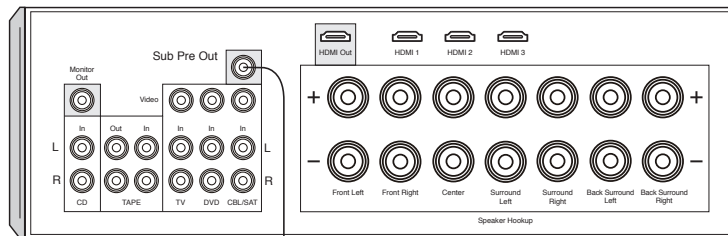


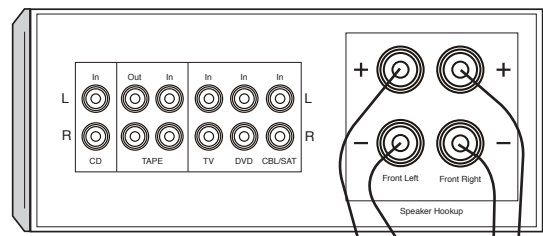
Figura 2 Cableado de los subwoofers SW-110, SW-112 y SW-115

El subwoofer SW de Klipsch permite cableado de nivel de altavoz (alto) y de nivel de entrada de línea (bajo). La conexión que usted haga depende del tipo de receptor (o preamplificador) al cual cablee el subwoofer. No haga las dos conexiones al mismo tiempo, pues puede dañar el sistema. La mayoría de las conexiones se hacen al nivel de entrada de línea.

Conexión de "entrada de línea"



Conexión de "alto nivel"

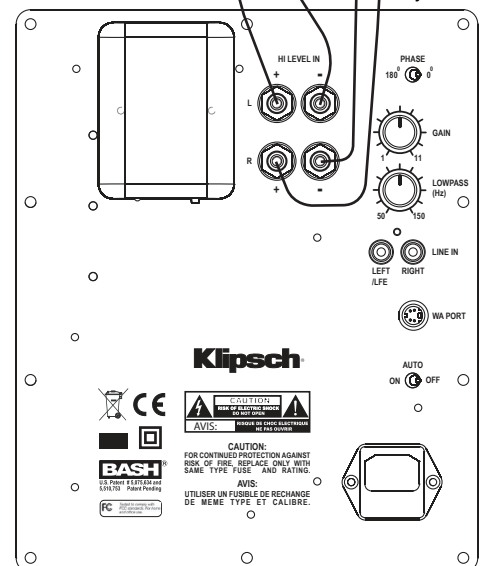
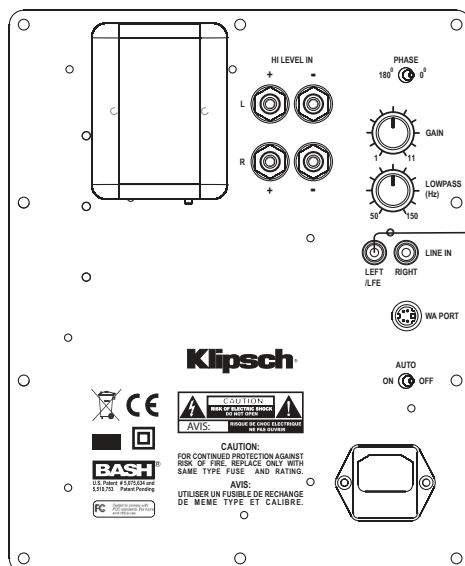


Receptor de audio/video surround

Receptor estéreo

Cable de altavoz calibre 16 o mayor

Cable de subwoofer



Klipsch®

3502 Woodview Trace
Indianapolis, IN 46268
1-800-KLIPSCH • klipsch.com
© 2011 Klipsch Speakers

Free Manuals Download Website

<http://myh66.com>

<http://usermanuals.us>

<http://www.somanuals.com>

<http://www.4manuals.cc>

<http://www.manual-lib.com>

<http://www.404manual.com>

<http://www.luxmanual.com>

<http://aubethermostatmanual.com>

Golf course search by state

<http://golfingnear.com>

Email search by domain

<http://emailbydomain.com>

Auto manuals search

<http://auto.somanuals.com>

TV manuals search

<http://tv.somanuals.com>