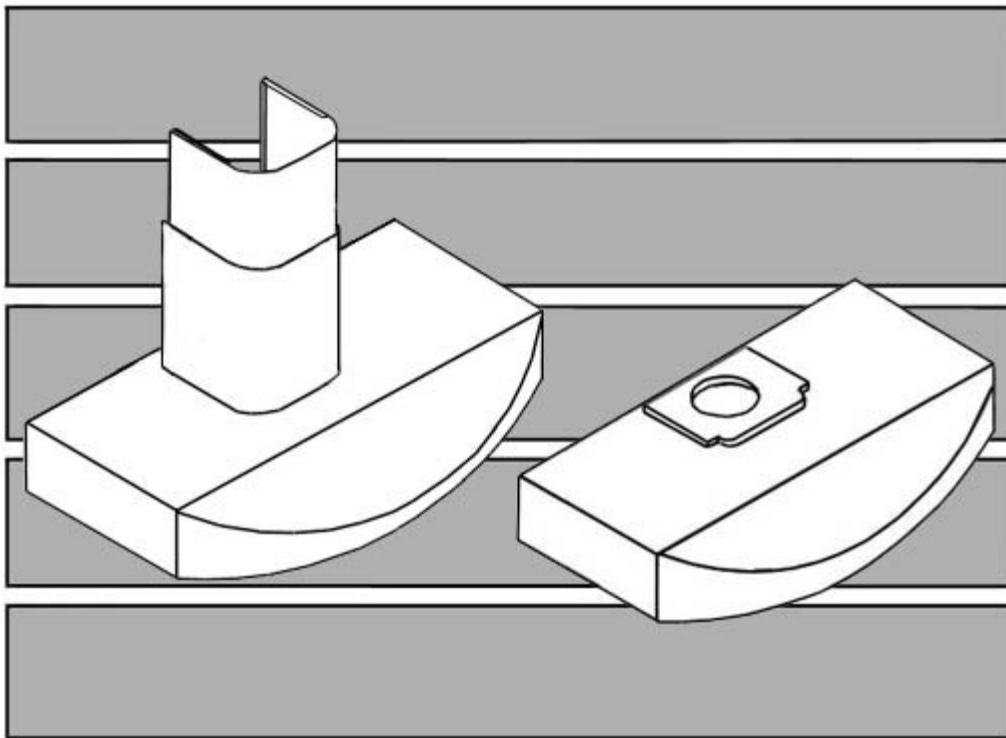


# **KOBE**® **KOBE Brand Range Hood**

**Model No. RA3830SQ  
RA3836SQ**

**RA-038 SERIES – 5" HEIGHT**



**INSTALLATION INSTRUCTIONS  
AND OPERATION MANUAL**

**- READ AND SAVE THESE INSTRUCTIONS -**

**CONTENTS**

IMPORTANT SAFETY INSTRUCTIONS.....1  
COMPONENTS OF PACKAGE.....3  
INSTALLATION .....4  
    UNDER THE CABINET INSTALLATION .....5  
    STAND ALONE INSTALLATION .....8  
OPERATING INSTRUCTIONS .....11  
MAINTENANCE .....12  
SPECIFICATIONS .....14  
MEASUREMENTS & DIAGRAMS.....15  
PARTS LIST .....16  
CIRCUIT DIAGRAM.....18  
TROUBLE SHOOTING .....19  
DISCLAIMER.....20  
WARRANTY.....21  
PRODUCT REGISTRATION .....23

**- READ ALL INSTRUCTIONS CAREFULLY BEFORE STARTING -**

ALL WIRING MUST BE DONE BY A PROFESSIONAL AND IN ACCORDANCE WITH NATIONAL AND LOCAL ELECTRICAL CODES



## IMPORTANT SAFETY INSTRUCTIONS

- PLEASE READ THIS SECTION CAREFULLY BEFORE INSTALLATION -

**⚠WARNING:** TO REDUCE THE RISK OF FIRE, ELECTRIC SHOCK OR PERSONAL INJURY, OBSERVE THE FOLLOWING:

- 1) Installation and electrical wiring must be done by qualified professionals and in accordance with all applicable codes and standards, including fire-rated construction.
- 2) When cutting or drilling into wall or ceiling, be careful not to damage electrical wiring or other hidden utilities.
- 3) Ducted fans must be vented to the outside.
  - a) Before servicing or cleaning unit, open the light panel and SWITCH POWER OFF AT SERVICE PANEL.
  - b) Clean all grease laden surfaces frequently. To reduce the risk of fire and to disperse air properly, make sure to vent air outside. DO NOT vent exhaust air into wall spaces, attics, crawl spaces or garages.

NOTE - This warranty is invalid without an authorized agent's receipt or if unit is damaged due to misuse, poor installation, improper use, mistreatment, negligence or any other circumstances beyond the control of KOBE RANGE HOODS authorized agents. Any repair carried out without the supervision of KOBE RANGE HOODS authorized agents will automatically void the warranty.

- KOBE RANGE HOODS will not be held responsible for any damages to personal property or real estate or any bodily injuries whether caused directly or indirectly by the range hood.

**⚠WARNING:** TO REDUCE THE RISK OF PERSONAL INJURY IN THE EVENT OF A RANGE TOP GREASE FIRE:

1. Keep all fan, baffle/spacer/filter/oil tunnel/oil container and grease-laden surfaces clean. Grease should not be allowed to accumulate on fan, baffle/spacer/filter/oil tunnel/oil container.
2. Always turn hood ON when cooking.
3. Use high settings on cooking range ONLY when necessary.
4. Do not leave cooking range unattended when cooking.
5. Always use cookware and utensils appropriate for the type and amount of food prepared.
6. Use this unit only in the manner intended by the manufacturer.
7. Before servicing, switch power off at service panel and lock service panel (if possible) to prevent power from switching on accidentally.
8. Clean ventilating fan frequently.

### What to Do In The Event Of a Range Top Grease Fire

- SMOTHER FLAMES with a tight fitting lid, cookie sheet, or metal tray, and then turn off the burner. KEEP FLAMMABLE OR COMBUSTIBLE MATERIAL AWAY FROM FLAMES. If the flames do not go out immediately, EVACUATE THE AREA AND CALL THE FIRE DEPARTMENT or 911.
- NEVER PICK UP A BURNING PAN – You May Get Burned.
- DO NOT USE WATER, including wet dishcloths or towels – a violent steam blast will result.
- Use an extinguisher ONLY if:
  - a) You have a Class A, B, C extinguisher and know how to operate it.
  - b) The fire is small and contained in the area where it started.
  - c) The fire department has been called.
  - d) You can fight the fire with your back to an exit.

### What to Do If You Smell Gas

- Extinguish any open flame.
- Do not try to turn on the lights or any type of appliance.
- Open all doors and windows to disperse the gas. If you still smell gas, call the Gas Company and Fire Department right away.

## **⚠ CAUTION**

- 1) For general ventilation use only. Do not use to exhaust hazardous or explosive materials and vapors.
- 2) To reduce the risk of fire, use only metal ductwork. Sufficient air is needed for proper combustion and exhausting of gases through the flue (chimney) to prevent back drafting.
- 3) Follow the heating equipment manufacturer's guideline and safety standards such as those published by the National Fire Protection Association (NFPA), and the American Society for Heating, Refrigeration and Air Conditioning Engineers (ASHRAE), and code authorities.
- 4) Activating any switch on may cause ignition or an explosion.
- 5) Due to the size and weight of this hood, two people installation is recommended.

### **⚠ WARNING**



**ELECTRICAL SHOCK HAZARD – Can result in serious injury or death. Disconnect appliance from electric power before servicing. If equipped, the fluorescent light bulb contains small amounts of mercury, which must be recycled or disposed of according to Local, State, and Federal Codes.**

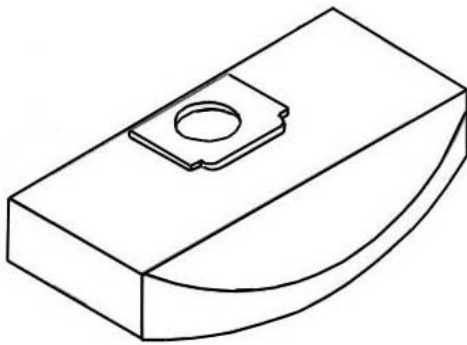
## COMPONENTS OF PACKAGE

(Must keep all material for returns or refunds)

### Range Hood Box

- {A} KOBE Range Hood
- {B} Warranty Registration Card
- {C} Instructions Manual
- {D} Oil Containers (Round)
- {E} Oil Containers (Oval)

{A}



{B}

{C}



{D}



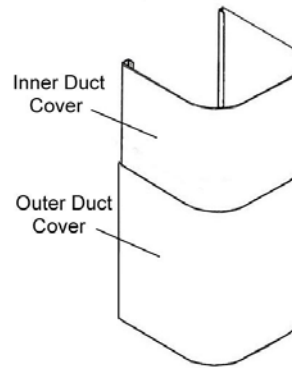
{E}



### Duct Cover Box (Sold Separately)

- {F} KOBE Duct Cover (Model No. RA1020DC)
- {G} Screws Package
- {H} Duct Cover-Mounting Bracket
- {I} Hood-Mounting Bracket

{F}



{G}

{H}

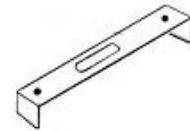


3/16 x 3/8 mm (6 pcs)

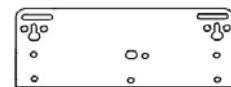


4 x 8 mm (8 pcs)

{I}



Rubber Stand (2 pcs)



◆ FOR MORE INFORMATION, PLEASE VISIT OUR WEBSITE [WWW.KOBERangeHoods.com](http://WWW.KOBERangeHoods.com) OR CONTACT KOBE RANGE HOODS AT (626) 775-8880.

# INSTALLATION

PLEASE READ ENTIRE INSTRUCTIONS BEFORE PROCEEDING

## Calculation before Installation

To calculate installation, please refer to TABLE 1. (All calculation in inches.)

### - FOR UNDER THE CABINET -

<p><b>TABLE 1</b></p> <p>A = Height of Floor to Ceiling          B = Height of Floor to Counter Top          (Standard: 36")  <b>C = Preferred Height of Counter Top          to Hood Bottom (Recommended          27" to 30")</b>          D = Height of Hood          E = Height of the Cabinet</p>	<p>The diagram illustrates the vertical dimensions for a hood installed under a cabinet. A vertical line on the right represents the total height from the floor to the ceiling, labeled 'A'. A horizontal line represents the counter top, with the height from the floor to this line labeled 'B'. The distance from the counter top to the bottom of the hood is labeled 'C'. The hood itself is shown with a height labeled 'D'. Above the hood is a cabinet, with the height from the top of the hood to the top of the cabinet labeled 'E'.</p>
-----------------------------------------------------------------------------------------------------------------------------------------------------------------------------------------------------------------------------------------------------------------------------------------------------------------------------------	-------------------------------------------------------------------------------------------------------------------------------------------------------------------------------------------------------------------------------------------------------------------------------------------------------------------------------------------------------------------------------------------------------------------------------------------------------------------------------------------------------------------------------------------------------

### - FOR STAND ALONE (WITH OPTIONAL DUCT COVER) -

<p><b>TABLE 2</b></p> <p>A = Height of Floor to Ceiling          B = Height of Floor to Counter Top          (Standard: 36")  <b>C = Preferred Height of Counter Top          to Hood Bottom (Recommended          27" to 30")</b>          D = Height of Hood          E = Height of Duct Cover [F – D]          F = Height of the Hood Installation          [A – (B+C)]</p>	<p>The diagram illustrates the vertical dimensions for a hood installed stand-alone with an optional duct cover. A vertical line on the right represents the total height from the floor to the ceiling, labeled 'A'. A horizontal line represents the counter top, with the height from the floor to this line labeled 'B'. The distance from the counter top to the bottom of the hood is labeled 'C'. The hood itself is shown with a height labeled 'D'. Above the hood is a duct cover, with the height from the top of the hood to the top of the duct cover labeled 'E'. The total height from the counter top to the top of the duct cover is labeled 'F'.</p>
--------------------------------------------------------------------------------------------------------------------------------------------------------------------------------------------------------------------------------------------------------------------------------------------------------------------------------------------------------------------------------------------------------------------	------------------------------------------------------------------------------------------------------------------------------------------------------------------------------------------------------------------------------------------------------------------------------------------------------------------------------------------------------------------------------------------------------------------------------------------------------------------------------------------------------------------------------------------------------------------------------------------------------------------------------------------------------------------------

## UNDER THE CABINET INSTALLATION

### **SAFETY WARNING**

HOOD MAY HAVE VERY SHARP EDGES; PLEASE WEAR PROTECTIVE GLOVES IF REMOVING ANY PARTS FOR INSTALLING, CLEANING OR SERVICING.

**NOTE: BE CAREFUL WHEN USING ELECTRICAL SCREWDRIVER, DAMAGE TO THE HOOD MAY OCCUR.**

### Preparation before Installation

**NOTE: TO AVOID DAMAGE TO YOUR HOOD, PREVENT DEBRIS FROM ENTERING THE VENT OPENING.**

- Decide the location of the venting pipe from the hood to the outside. Refer to Figure 1.
- Temporarily wire the hood to test for proper operation before installing.
- Peel protective film off the hood (if any).
- For installing under the cabinets with recessed bottom, attach 4-inch wide wood filler strips (not included) on each side. Refer to Figure 2.
- Measure and create access opening for electrical wires under the cabinet.

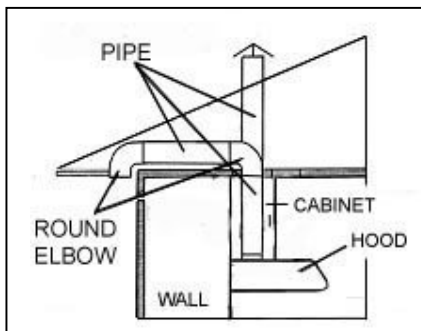


Figure 1

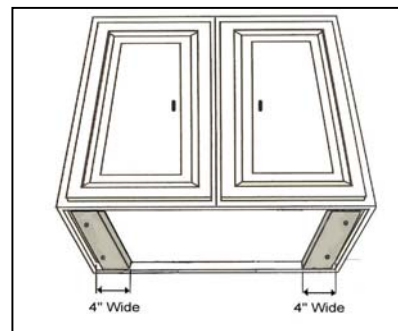


Figure 2

### Hood Installation

**CAUTION:** If required to move the cooking range to install the hood, turn off the power on an electric range at the main electrical box. **SHUT OFF THE GAS BEFORE MOVING A GAS RANGE.**

1. Puncture the knockout holes. Refer to Figure 3.



Figure 3

2. NOTE: Be careful when using electrical screwdriver, damage on the hood might occur. Unscrew the six screws on the bottom casing. Remove the bottom casing as shown on Figure 4. If necessary, arrange the electrical wire to run through the 1" diameter hole on the hood.
3. Using references on Table 1 and measurement on page 16 center the hood in place beneath the cabinet and flush with the front of the cabinet. Refer to Figure 5.



Figure 4



Figure 5

4. Draw electrical wires through cabinet access opening
5. Place screws (not provided) into the exact center of each hole. Make sure all screws are in place before tightening screws. CAUTION: MAKE SURE THE HOOD IS SECURE BEFORE RELEASING.

### Ductwork Installation

6. Use aluminum or steel pipe to connect the plastic exhaust on the hood to the ductwork above. Use duct tape to make all joints secure and air tight.

### Wiring to Power Supply

7. Connect the electrical wires.
  - If necessary to hide the electrical wire connections, push wires back into the hood. Access the wire connections underneath the hood by removing the bottom casing from the six screws. Before reattaching the bottom casing, make sure wires do not slip between motors, impellers, or any moving parts to prevent any damage.



## SAFETY WARNING

**RISK OF ELECTRICAL SHOCK. THIS RANGE HOOD MUST BE PROPERLY GROUNDED. MAKE SURE THIS IS DONE BY A SPECIALIZED ELECTRICIAN IN ACCORDANCE WITH ALL APPLICABLE NATIONAL AND LOCAL ELECTRICAL CODES. BEFORE CONNECTING WIRES, SWITCH POWER OFF AT SERVICE PANEL AND LOCK SERVICE PANEL TO PREVENT POWER FROM BEING SWITCHED ON ACCIDENTALLY.**

- Connect three wires (black, white and green) to house wires and cap with wire connectors.
- Connect according to color: black to black, white to white, and green to green.
- Test the operation of the hood before moving on to next step. Make sure power is supplied to the hood.

### Install Accessories

8. Place the oil container (round) into keyhole under each safety screen. Turn clock-wise until firmly in place. Refer to Figure 6.
9. Slide oil container (oval) into plastic slot behind each safety screen. Refer to Figure 7.



Figure 6



Figure 7

### Final Assembly

10. Turn power ON in control panel. Check all lights and blower operation.
11. Make sure to leave this manual for the homeowner.

## **STAND ALONE INSTALLATION**

\*\*\*This installation only applied with the purchase of a duct cover.

### **⚠ SAFETY WARNING**

**HOOD MAY HAVE VERY SHARP EDGES; PLEASE WEAR PROTECTIVE GLOVES IF REMOVING ANY PARTS FOR INSTALLING, CLEANING OR SERVICING.**

**NOTE: BE CAREFUL WHEN USING ELECTRICAL SCREWDRIVER, DAMAGE TO THE HOOD MAY OCCUR.**

### Preparation before Installation

**NOTE: TO AVOID DAMAGE TO YOUR HOOD, PREVENT DEBRIS FROM ENTERING THE VENT OPENING.**

- Decide the ductwork and locations. Refer to Figure 8.
- Decide the location of the venting pipe from the hood to the outside.
- A straight, short venting run will allow the hood to perform more efficiently.
- Try to avoid as much transitions, elbows, and long run as possible. This may reduce the performance of the hood.
- Use duct tape to seal the joints between pipe sections.
- If necessary, prepare back wall frame with cross framing lumber for secure installation. Using references on Table 2 and measurement on page 16 decide the level of the lumber. Refer to Figure 9.

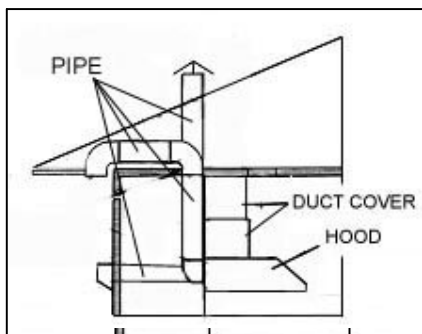


Figure 8

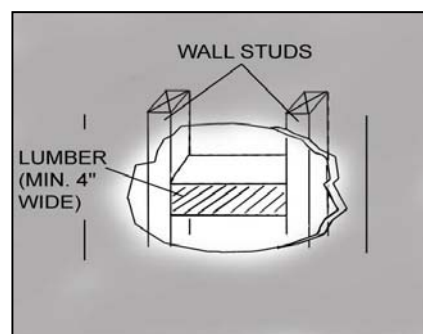


Figure 9

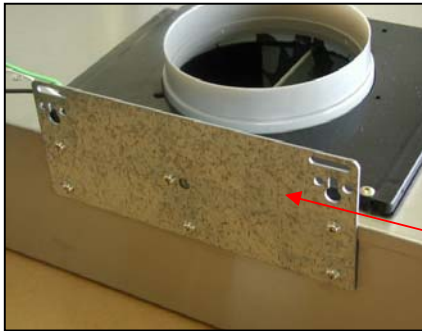
### Hood Preparation before Installation

- Temporarily wire the hood to test for proper operation before installing.
- Peel protective film off the hood and the duct cover (if any).
- Attach the hood-mounting bracket behind the hood with (3/16x3/8 mm) screws (provided) as shown on Figure 10.

### Hood Installation

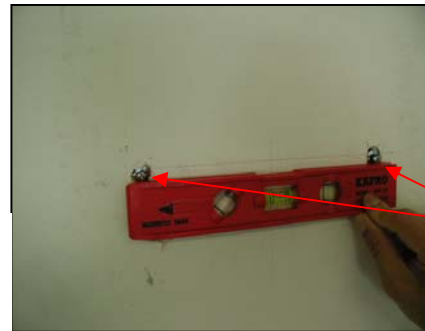
**CAUTION:** If required to move the cooking range to install the hood, turn off the power on an electric range at the main electrical box. **SHUT OFF THE GAS BEFORE MOVING A GAS RANGE.**

1. If necessary, attach two rubber stands (provided) with two (4x8 mm) screws (provided) to the back of the hood.
2. Using references on Table 2 and measurement on page 16, decide the leveling point of the hood. Position two mounting screws (not provided) on the wall, leaving 1/8" away from the wall as shown on Figure 11.
3. Align hood-mounting bracket to the two screws on the wall and hook hood into place. Tighten screws to secure hood to the wall. **CAUTION: MAKE SURE THE HOOD IS SECURE BEFORE RELEASING.**



Hood-Mounting Bracket

Figure 10



Mounting Screws

Figure 11

#### Duct Cover Installation

4. Mark the position of the duct cover-mounting bracket. Use calculation **E** from Table 2 for reference. Attach and secure duct cover-mounting bracket with two screws (not provided). Refer to Figure 12. **NOTE:** Inner duct cover will cover the duct cover-mounting bracket.
5. Connect electrical wires. Refer to "Wiring to Power Supply." If necessary to hide the electrical wire connections, push wires back into the hood. Access the wire connections underneath the hood by removing the bottom casing from the six screws. Before reattaching the bottom casing, make sure wires do not slip between motors, impellers, or any moving parts to prevent any damage.
6. Use aluminum or steel pipe to connect the exhaust opening on the hood to the ductwork above. Use duct tape to make all joints secure and air tight.
7. Slide the inner duct cover up 2-inch before sliding the entire duct cover onto the hood. Refer to Figure 13.



Figure 12



Figure 13

8. Adjust the height of the inner duct cover to the duct cover-mounting bracket. Secure inner duct cover with two (4x8 mm) screws (provided) as shown on Figure 14.
9. Fasten outer duct cover to plastic plate on the hood with four (4x8 mm) screws (provided).

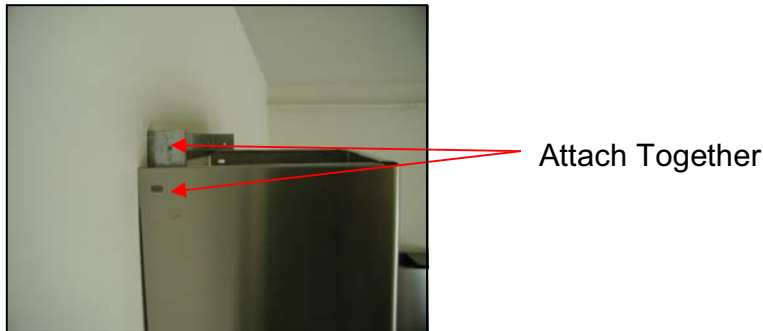


Figure 14

### Wiring to Power Supply

#### **⚠ SAFETY WARNING**

RISK OF ELECTRICAL SHOCK. THIS RANGE HOOD MUST BE PROPERLY GROUNDED. MAKE SURE THIS IS DONE BY SPECIALIZED ELECTRICIAN IN ACCORDANCE WITH ALL APPLICABLE NATIONAL AND LOCAL ELECTRICAL CODES. BEFORE CONNECTING WIRES, SWITCH POWER OFF AT SERVICE PANEL AND LOCK SERVICE PANEL TO PREVENT POWER FROM BEING SWITCHED ON ACCIDENTALLY.

- Connect three wires (black, white and green) to house wires and cap with wire connectors.
- Connect according to color: black to black, white to white, and green to green.
- Test the operation of the hood before moving on to next step. Make sure power is supplied to the hood.

### Install Accessories

10. Place the oil container (round) into keyhole under each safety screen. Turn clock-wise until firmly in place. Refer to Figure 15.
11. Slide oil container (oval) into plastic slot behind each safety screen. Refer to Figure 16.



Figure 15



Figure 16

### Final Assembly

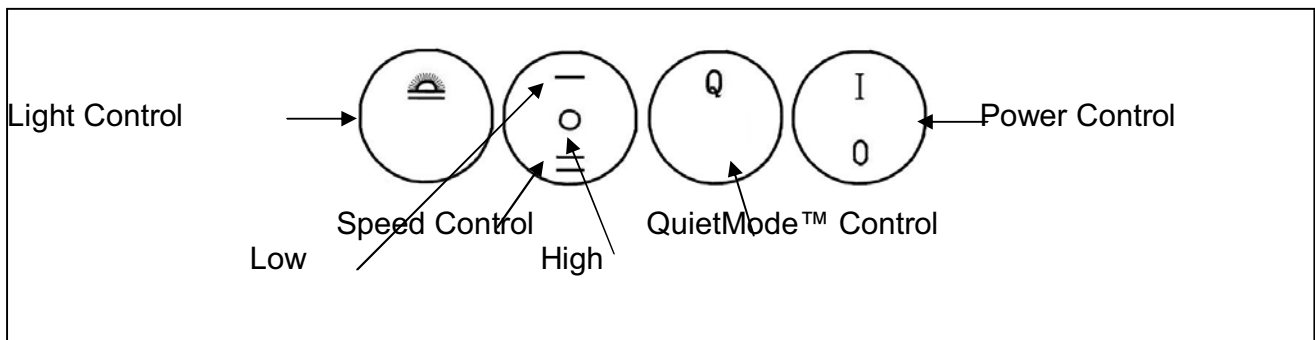
12. Turn power ON in control panel. Check all lights and blower operation.
13. Make sure to leave this manual for the homeowner.

## OPERATING INSTRUCTIONS

This KOBE hood is equipped with a four-switch control, two powerful centrifugal turbine impellers with safety screens, two bright 12-volt 20-watt halogen lights, and four oil containers.

The four control switches are Light Control, Speed Control, QuietMode™ Control and the Power Control (On/Off). Refer to Figure 17.

Figure 17



### Turn On:

Press Power Control switch to turn on the power.

Press the Speed Control (Low, Off, High) or QuietMode™ Control to select the desired speed. Once the Power Control is turned on, the previous switch selections will be turned on.

Press the QuietMode™ Control to turn on QuietMode™. Speed Control will automatically be disabled when QuietMode™ is turned on.

Press Light Control switch to turn halogen lights on.

### Turn Off:

Press the Power Control switch to turn off all power. Note: The Power Control switch is the main power controller.

If disabled QuietMode™, speed will revert to its prior Speed Control.

## MAINTENANCE

### SAFETY WARNING

NEVER PUT YOUR HAND INTO AREA HOUSING THE FAN WHILE THE FAN IS OPERATING.

#### Cleaning Hood Surface

 **CAUTION:** NEVER USE ABRASIVE CLEANERS, PADS, OR CLOTHS. DO NOT USE PAPER TOWEL ON STAINLESS STEEL.

For optimal operation, clean range hood and all baffle/spacer/filter/oil tunnel/oil container regularly.

\*\*\* Regular care will help preserve the appearance of the hood.

1. Use only mild soap or detergent solutions. Dry surfaces using soft cloth.
2. If hood looks splotchy (stainless steel hood), use a stainless steel cleaner to clean the surface of the hood. Avoid getting cleaning solution onto or into the control panel. Follow directions of the stainless steel cleaner. **Caution: Do not leave on too long as this may cause damage to hood finish.** Use soft towel to wipe off the cleaning solution, gently rub off any stubborn spots. Use dry soft towel to dry the hood.
3. DO NOT allow deposits to accumulate or remain on the hood.
4. DO NOT use ordinary steel wool or steel brushes. Small bits of steel may adhere to the surface and cause rusting.
5. DO NOT allow salt solutions, disinfectants, bleaches, or cleaning compounds to remain in contact with stainless steel for extended periods. Many of these compounds contain chemicals, which may be harmful. Rinse with water after exposure and wipe dry with a clean lint free cloth.

#### To Clean Oil Containers, Safety Screens and Impellers

**CAUTION: DRAIN OIL CONTAINER BEFORE OIL CAN OVERFLOW.**

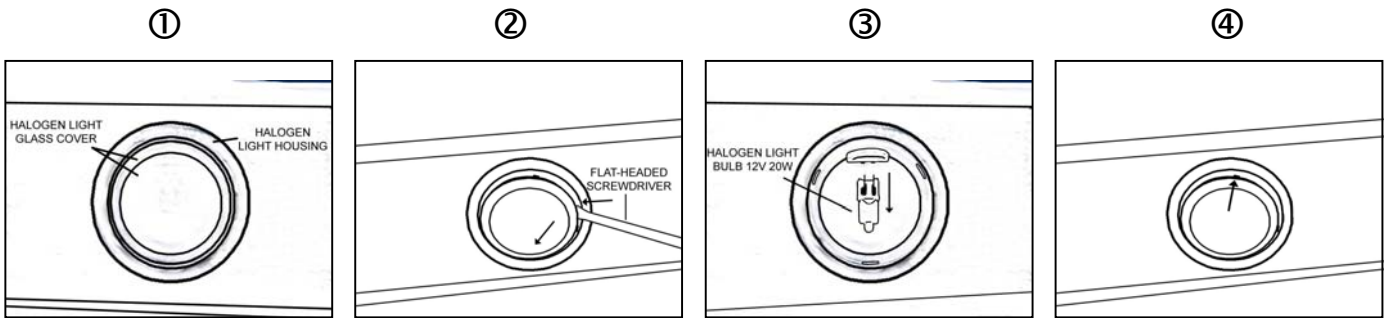
- 1) Normal Cleaning
  - Turn on high speed and spray a mild degreaser into the fan. Liquid residue will accumulate in the oil containers.
- 2) Cleaning Oil Containers
  - Remove the oil container (round) by turning counterclockwise for cleaning.
  - Remove the oil container (oval) by sliding forward for cleaning.
  - Wash with warm soapy water. Dry completely before returning into place.
  - Top rack dishwasher safe.
- 3) Cleaning Safety Screens
  - Remove the safety screen screw and slide the safety screen out.
  - Wash with warm soapy water. Dry completely before returning into place.
  - Top rack dishwasher safe.

## To Replace Light Bulb

**CAUTION: HALOGEN LIGHT UNIT MAY BE HOT! WAIT UNTIL UNIT IS COOL.**

**NOTE: DO NOT TOUCH HALOGEN LIGHT WITH BARE HANDS, WHICH MIGHT CAUSE OVER HEAT AND SHORTEN THE LIFE OF LIGHT BULBS.**

**CAUTION: HALOGEN LIGHT UNIT MAY BE HOT! WAIT UNTIL UNIT IS COOL.**



1. Make sure all controls are off, and range hood is unplugged.
2. Place the flat-headed screwdriver into the groove of the halogen light glass covering and the housing. ①
3. Pop out the halogen light glass covering. ②
4. Gently pull out the defective light bulb and discard. Light bulbs should be 12V 20W maximum. ③
5. Using a cloth, hold the new light bulb and push securely into light socket.
6. Return halogen light glass cover to the housing. ④
7. Turn range hood ON to test for operation.

## SPECIFICATIONS

MODEL / SIZE	RA3830SQ / 30" RA3836SQ / 36"		
COLOR	# 430 Commercial Grade Stainless Steel		
VOLTAGE	120V 60Hz		
CONSUMPTION / AMPERE	198W / 1.71A		
NUMBER OF MOTORS	2		
DESIGN	18-Gauge Seamless		
FAN TYPE	Twin Turbine Impeller		
EXHAUST	6" Round		
CONTROLS	Three Speed (QuietMode™, Low, & High)		
HALOGEN LIGHTS	12V 20W x 2		
HOOD DIMENSION (W x D x H)	(RA3830SQ) 29-3/4" x 20-1/2" x 5-1/8" (RA3836SQ) 35-1/4" x 20-1/2" x 5-1/8"		
OPTIONAL ACCESSORIES (W x D x H)	1) Two-Piece Adjustable Duct Cover (RA1020DC) 10-5/8" x 9-1/8" x (20-5/8" ~ 39-5/8") 2) 30" Stainless Steel Back Panel (SSP30) 30" x 1/10" x 32" 3) 36" Stainless Steel Back Panel (SSP36) 36" x 1/10" x 32"		
WEIGHT (lbs)		<u>Net</u>	<u>Gross</u>
	(RA3830SQ)	37.0	43.0
	(RA3836SQ)	39.0	47.0
SPEED	QuietMode™	Low	High
Air Capacity (cfm)	330	480	720
Sone*	1.2*	3.0	4.8

\*One sone is equivalent to the sound of a refrigerator at 40 decibels.

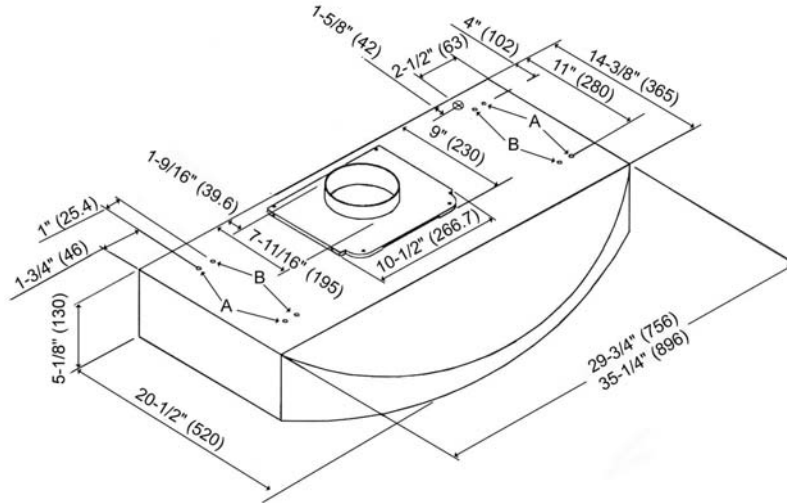
\*\*Specifications information is subject to change without notice.



# MEASUREMENTS & DIAGRAMS

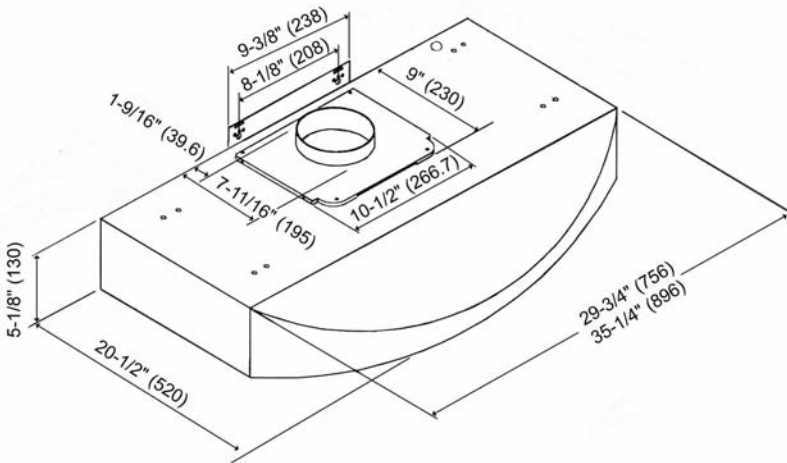
\*\*\*All inch measurements are converted from millimeter. Inch measurements are estimated.  
 \*\*\*All measurements in ( ) are millimeters.

## -FOR UNDER THE CABINET-

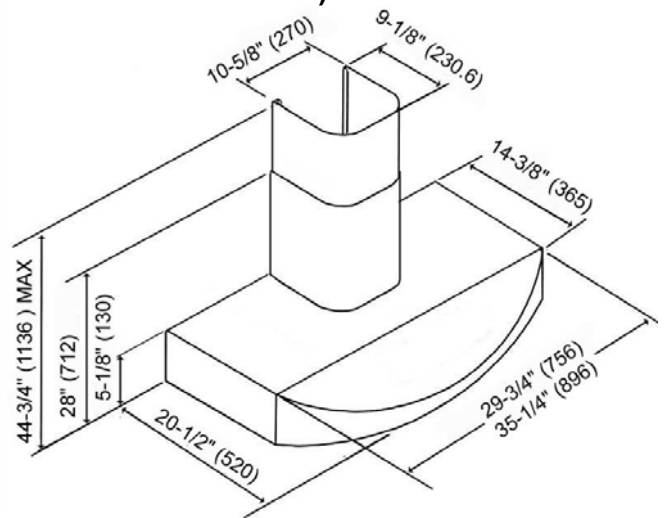


30" = Knockout Holes "A"  
 36" = Knockout Holes "A" & "B"

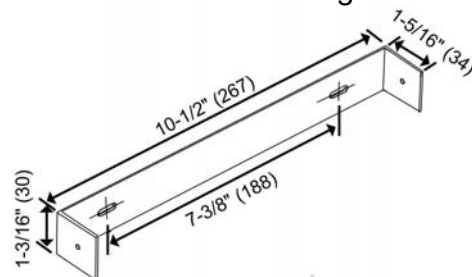
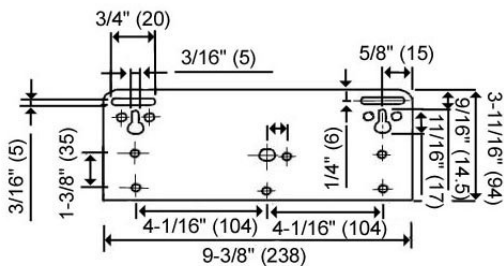
## -FOR STAND ALONE (WITH OPTIONAL DUCT COVER)-



Hood-Mounting Bracket



Duct Cover-Mounting Bracket



# PARTS LIST

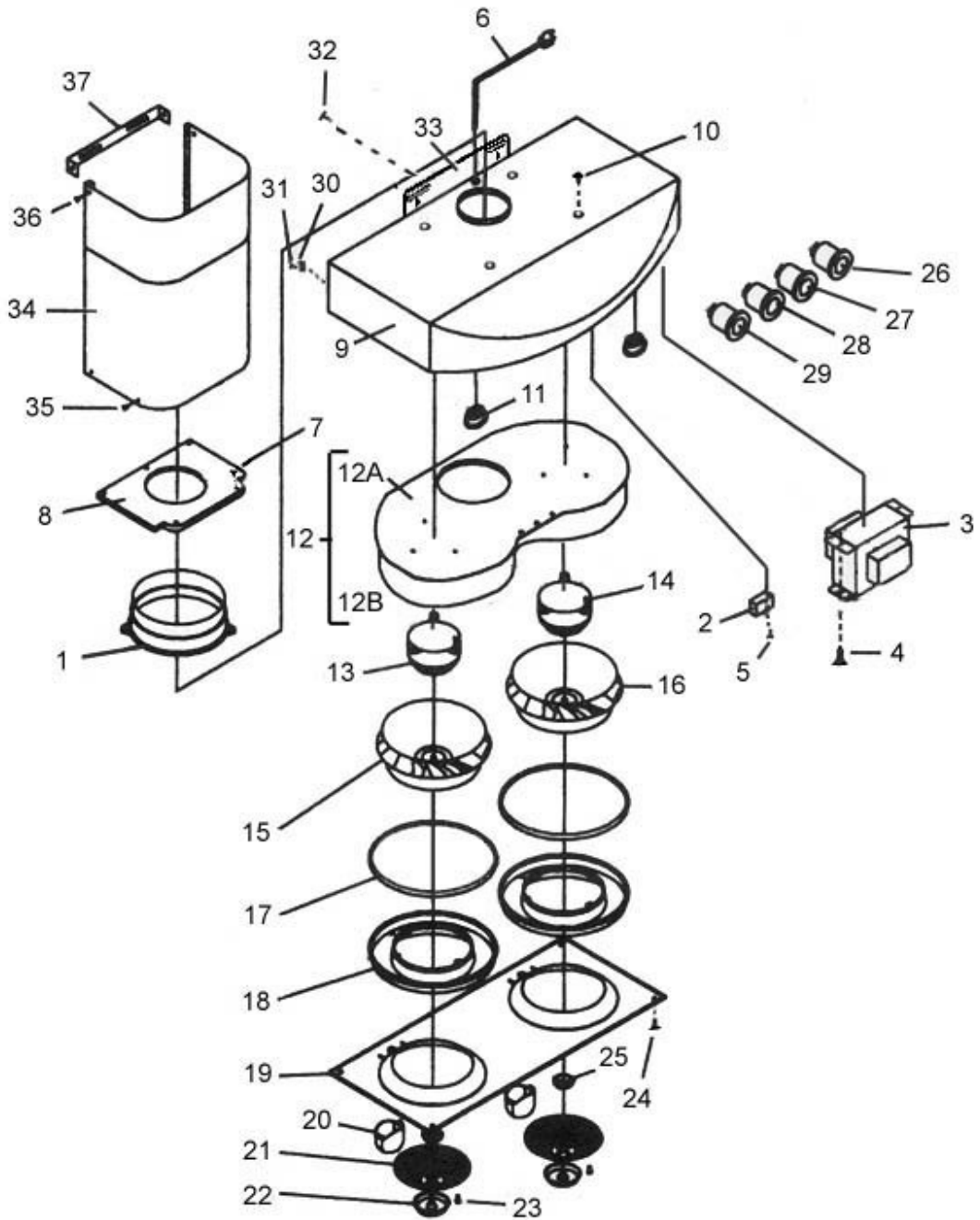
MODEL NO. RA3830SQ  
RA3836SQ

NO.	DESCRIPTION	MODEL /SIZE	PART NO.
1	6" Round Plastic Exhaust		C1-0505-0001
2	Capacitor		C1-0401-0120-01A
3	Transformer (Light)		C1-0402-0120-40
4	Screw (4 x 6 mm)		C1-0708-0001
5	Screw (4 x 6 mm)		C1-0708-0001
6	Power Cord		C1-0406-0120
7	Screw (TS 4 x 18 mm)		C1-0708-0004
8	Plastic Plate		C1-0507-0201
9	Hood Casing	RA3830SQ	10-03300
		RA3836SQ	10-03360
10	Screw (3/16" x 5/8")		C1-0704-0004
11	Halogen Light (12V 20W Max.)		C1-0403-0101
12 A  B	Air Chamber		
	Air Chamber (Top)	RA3830SQ	C1-0101-0382
		RA3836SQ	
	Air Chamber (Side)	RA3830SQ	C1-0102-0382
	RA3836SQ		
13	Motor (Left)		C1-0301-0120-13A
14	Motor (Right)		C1-0301-0120-14A
15	Turbine Impeller (Left)		C1-0251-0092-01
16	Turbine Impeller (Right)		C1-0251-0092-02
17	Oil Tunnel Seal		C1-0502-0301
18	Oil Tunnel		C1-0502-0203
19	Bottom Casing	RA3830SQ	B101-0330-09
		RA3836SQ	B101-0392-09
20	Oil Container (Oval)		C1-0504-0101
21	Safety Screen		C1-0602-0101
22	Oil Container (Round)		C1-0503-0101
23	Safety Screen Screw		C1-0705-0001
24	Screw (3/16" x 5/8")		C1-0704-0004
25	Impeller Plastic Cover		C1-0251-0001
26	On/Off Switch		C1-0405-0211
27	QuietMode™ Switch		C1-0405-0214
28	Speed Switch		C1-0405-0212
29	Light Switch		C1-0405-0213
30	Rubber Stand		C1-0511-0211
31	Screw (TS 4 x 8 mm)		C1-0708-0006

(Optional Duct Cover)

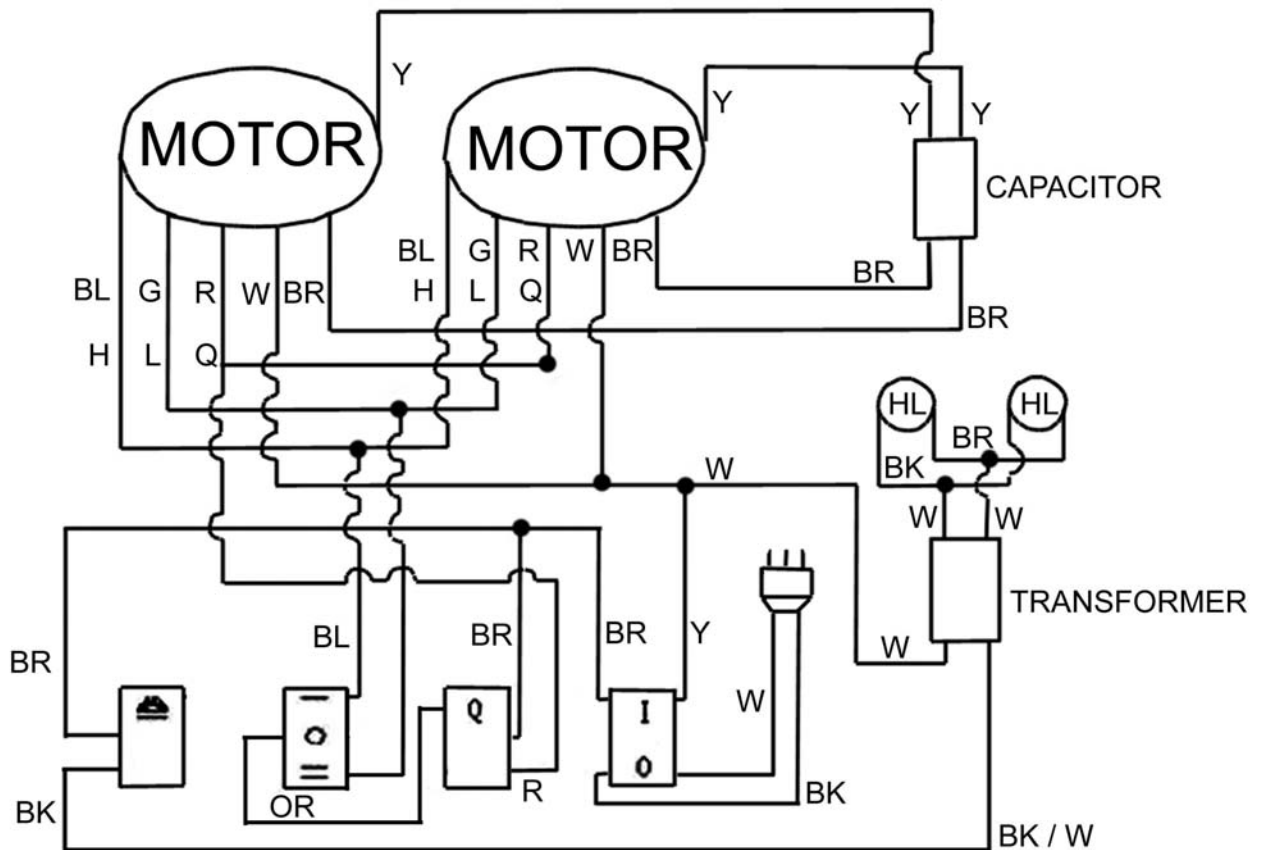
NO.	DESCRIPTION	MODEL /SIZE	PART NO.
32	Screw (3/16" x 3/8")		C1-0707-0001
33	Hood-Mounting Bracket		C1-0221-0330
34	Duct Cover	RA1020DC	12-02000-430
35	Round Head Screw (TS 4 x 8 mm)		C1-0708-0006
36	Round Head Screw (TS 4 x 8 mm)		C1-0708-0006
37	Duct Cover-Mounting Bracket		C1-0203-0002

MODEL NO. RA3830SQ  
RA3836SQ



## CIRCUIT DIAGRAM

MODEL No. RA3830SQ  
RA3836SQ



### KEY CODE

BL = Blue  
 BK = Black  
 BR = Brown  
 R = Red  
 W = White  
 G = Green  
 Y = Yellow  
 OR = Orange  
 H = High  
 L = Low  
 Q = QuietMode™  
 HL = Halogen Light

## TROUBLE SHOOTING

Issue	Possible Cause	Solution
After Installation, both motors and lights are not working.	The power is not on.	Make sure the circuit breaker and the unit's power is ON. Use a voltage meter to check the power supply.
	The wire connection is not secure.	Check and tighten wire connection.
	The control panel and processor board wiring are disconnected.	Check wire continuity from control panel to processor board.
	The motor transformer is defective.	Check the power input and power output on the motor transformer. If it's needed, replace the motor transformer.
	The control panel and processor board is defective.	Replace the control panel or processor board.
Lights are working, but motor(s) is not.	The motor(s) is defective.	Replace the motor.
	The capacitor(s) is defective.	Replace capacitor(s).
	The control panel or processor board is defective.	Replace the control panel or processing board.
The range hood is vibrating.	The blower system is not secure.	Tighten the turbine impeller/squirrel cage and air chamber.
	The turbine impeller/squirrel cage is not balanced.	Replace the turbine impeller/squirrel cage.
	Hood is not secured in place.	Check the installation of hood, tighten the mounting bracket.
The motor is working, but the lights are not working.	Halogen Light bulb(s) is defective.	Try placing the trouble light bulb(s) to a working socket, if the bulb(s) still doesn't work; replace the halogen light bulb(s).
	The light wiring(s) is loose.	Check wire continuity from processor board to light transformer to halogen light housing(s).
	Light transformer is defective.	Check power input and power output on the light transformer. If it's needed, replace the light transformer.
	The control panel or processor board is defective.	Replace the control panel or processing board.
The range hood is not venting out correctly.	The range hood is installed outside of the manufacture recommended clearance.	Adjust the clearance between the range hoods and cook top to 27" to 30". For Island range hood, the clearance between the range hoods and cook top is 30" to 36".
	There is no make-up air inside the house.	Open the window to enhance the performance of the range hood by creating a sufficient make-up air.
	Obstacle blocking the pipe work.	Remove all obstacles from the duct work.
	The pipe size is smaller than the suggested pipe size.	Change the ducting according to the manufacture suggestion.
Cold air is coming into the home.	The pipe connection is not properly sealed.	Check the pipe installation.
	The damper is not properly installed or is missing from the installation.	Check the damper installation.
	The damper is not installed.	By installing the damper, it will help to eliminate air backflow.

## DISCLAIMER

1. **CAREFULLY INSPECT ALL ITEMS FOR DAMAGES BEFORE ACCEPTING DELIVERY. NOTE ANY DAMAGES ON THE FREIGHT BILL OR EXPRESS RECEIPT. REQUEST NAME AND SIGNATURE OF THE CARRIER'S AGENT AND KEEP COPY TO SUPPORT YOUR CLAIM.**

Upon acceptance of items, owner assumes responsibility for its safe arrival. Report damages to the carrier and file a claim immediately. Failure to do so may result in the denial of your claim. The carrier will furnish you with necessary forms for filing a claim.

**DAMAGES CAUSED DURING TRANSIT ARE NOT COVERED UNDER OUR WARRANTY.**

2. **PLEASE INSPECT CONTENTS OF PACKAGE(S) CAREFULLY UPON RECEIVING!**

We must be notified in writing of any damages and/or missing parts within the allocated days upon your receipt of package(s). Contact your local KOBE dealer or distributor or call KOBE for the time limit.

**CLAIMS WILL NOT BE ACCEPTED AFTER THE ALLOCATED DAYS.**

NOTE: ITEMS WERE THOROUGHLY TESTED AND CAREFULLY PACKED IN OUR FACTORY BEFORE SHIPPING.

3. Products must be returned in good working condition with ALL original parts and documentation packed in ALL original cartons, fillers and shipping cartons. A restocking fee of 25% will be charged for all approved return(s).

**EXCHANGES OR RETURNS MAY NOT BE ACCEPTED IF ANY PACKAGING IS MISSING.**

4. **MAKE SURE TO INSPECT THE HOOD FOR DAMAGES AND DEFECTS BEFORE INSTALLATION.** Appearance flaws of the hood found after installation and not affecting hood performance is not covered under our warranty for returns or exchanges. Service visits not covered under warranty will carry a service charge.

A) Before Installation: Return for exchange or refund (please see above for acceptable returns).

B) After Installation: **NO** exchange or refund.

# WARRANTY

## WARRANTY CERTIFICATE

KOBE Range Hoods, Inc. warrants all products manufactured or supplied by it to be free from defects in workmanship and materials. Its obligations pursuant to this warranty are limited to a period of two years from the date of purchase and to the repair or replacement at its option and subject to the terms and conditions stated below, of any component part, which its examination shall disclose to be so defective.

### TWO-YEAR WARRANTY SERVICE PERIOD

Any covered failure occurring within two years of original purchase arising from defective workmanship or material in manufacture will be repaired (or at our discretion, replaced) free of charge by an authorized KOBE Range Hoods Agent or KOBE Range Hoods as applicable. Keep proof of purchase (or original invoice) handy for inspection.

If the range hood is sold by the original purchaser during the warranty period the new owner is protected until expiration of the original purchaser's warranty.

### CONDITIONS

The following conditions apply only in relation to the warranty expressly given in this certificate.

- 1) This warranty applies only:
  - a) within U.S.A. and Canada.
  - b) to range hoods used for PRIVATE SINGLE FAMILY USE (if used for COMMERCIAL or MULTIPLE FAMILY USE or other purposes, warranty will be voided).
- 2) Repair of any fault to be provided under this warranty shall not be provided:
  - a) if the identification number attached to the range hood has been altered, rendered illegible or removed;
  - b) if notice of the defect has not been given within the period applicable;
  - c) for failure of light bulbs or heat lamps;
  - d) for physical damage;
  - e) for surfaces damaged by use of improper chemical cleaning agents;
  - f) if the appliance has been:
    - i) subject to misuse, abuse, negligence, accident, incorrect installation or failure to follow the operating instructions;
    - ii) connected to improper, inadequate or faulty electricity service or exhaust ducts, flues or duct cover, or operated using incorrect or contaminated lubricants;
    - iii) installed, maintained or operated otherwise than in accordance with the instructions furnished by KOBE Range Hoods including the improper use of detergents, bleaches, or cleaners.
  - g) for damage to range hood during transit, delivery, installation or removal;
  - h) for damage by or resulting from attempted repairs conducted by anyone other than our Authorized Service Agent.
  - i) noise or vibration caused by improper installation of range hood and/or damper.
- 3) The purchaser shall be responsible for any expenses involved in making the range hood readily accessible for servicing and where the range hood is installed outside the main sales territory of the

retailer or service territory of the nearest approved KOBE Range Hoods Agent as applicable, for any traveling expenses and any costs of transporting the range hood or parts thereof to and from the dealer or Service Agent

- 4) The purchaser must produce proof of purchase together with this warranty certificate when making the claim.
- 5) Damages caused during shipment are not covered under our warranty.

### **CONSEQUENTIAL DAMAGE**

The warrantor is not responsible for any consequential damage. SOME STATES DO NOT ALLOW THE EXCLUSION OF CONSEQUENTIAL DAMAGE SO THE ABOVE EXCLUSION MAY NOT APPLY TO YOU.

### **IMPLIED WARRANTIES/STATE LAW**

Any implied warranties, including the implied warranty of merchantability and fitness for purpose, imposed on the sale by the laws of the state of sale are limited to two year from the date of original purchase. Some states do not allow limitations on the duration of implied warranties. This warranty gives you specific legal rights, and may also have rights, which vary from state to state.

### **SERVICE**

For service contact:

KOBE Range Hoods  
11775 Clark Street  
Arcadia, CA 91006  
U.S.A.  
Tel: (626) 775-8880  
Email: [customer.service@KOBERangeHoods.com](mailto:customer.service@KOBERangeHoods.com)  
Website: [www.KOBERangeHoods.com](http://www.KOBERangeHoods.com)



# PRODUCT REGISTRATION

## Register Your Product!

Any covered failure occurring within two years of original purchase arising from defective workmanship or material in manufacture will be repaired or at our option the unit will be replaced free of charge by an authorized KOBE Range Hoods Agent or KOBE Range Hoods as applicable. Keep proof of purchase (original invoice) handy for inspection.

If the range hood is sold by the original purchaser during the warranty period the new owner is protected until expiration of the original purchaser's warranty. See warranty section for complete warranty coverage information.

This appliance has been manufactured, tested, and inspected to the standards required by KOBE Range Hoods.

## PLEASE MAIL IN YOUR WARRANTY REGISTRATION CARD AND PROOF OF PURCHASE TO:

KOBE Range Hoods  
Warranty Registration  
11775 Clark Street  
Arcadia, CA 91006  
U.S.A.

## RECORD THE FOLLOWING INFORMATION FOR YOUR RECORD:

Model No. \_\_\_\_\_

Serial No. \_\_\_\_\_

Purchased Date                    \_\_\_\_ / \_\_\_\_ / \_\_\_\_

Purchased From:

\_\_\_\_\_  
\_\_\_\_\_  
\_\_\_\_\_

**IMPORTANT: PLEASE KEEP A COPY OF YOUR SALE RECEIPT OR INVOICE HANDY WHEN REQUESTING SERVICE.**

**KOBE**<sup>®</sup>

KOBE Range Hoods  
11775 Clark Street  
Arcadia, CA 91006

<http://www.KOBERangeHoods.com>

This KOBE hood is made for use in the USA and CANADA only. We do not recommend using this hood overseas as the power supply may not be compatible and may violate the electrical code of that country. **Using a KOBE hood overseas is at your own risk and will void your warranty.**

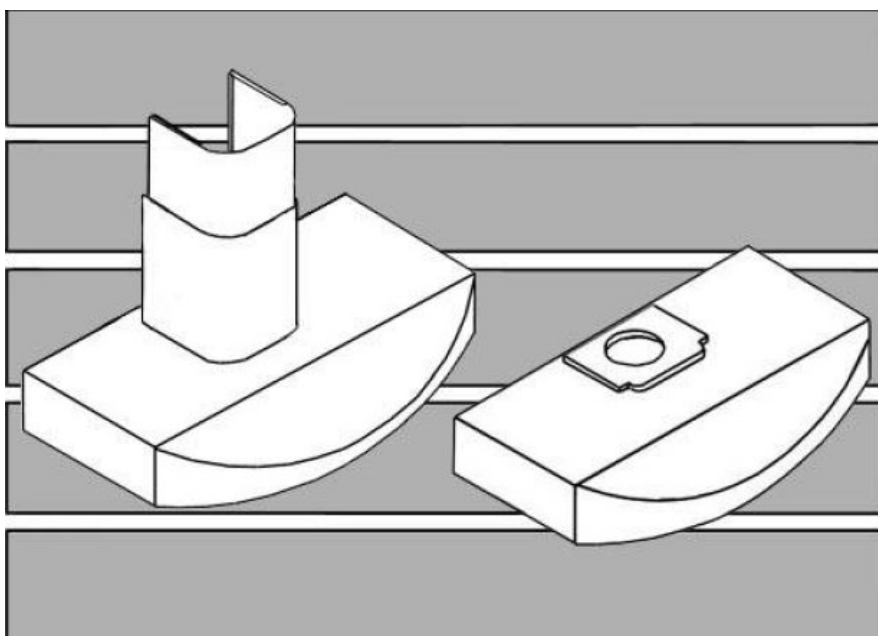
Information subject to change without notice.

VER.091210

# KOBE® HOTTE DE CUISINIÈRE KOBE

Modèles RA3830SQ  
RA3836SQ

SÉRIE RA-038 - 5 pouces de hauteur



**NOTICE D'INSTALLATION  
ET MODE D'EMPLOI**

# LIRE ET CONSERVER CES INSTRUCTIONS

## TABLE DES MATIÈRES

CONSIGNES DE SÉCURITÉ IMPORTANTES .....	27
CONTENU DE L'EMBALLAGE .....	29
INSTALLATION .....	30
INSTALLATION SOUS UNE ARMOIRE .....	31
INSTALLATION AU-DESSUS D'UN ÎLOT.....	34
MODE D'EMPLOI .....	38
ENTRETIEN.....	39
SPÉCIFICATIONS.....	41
MESURES ET SCHÉMAS.....	42
LISTE DES PIÈCES.....	43
SCHÉMA DE CÂBLAGE.....	45
TROUBLE SHOOTING.....	46
AVIS DE NON-RESPONSABILITÉ.....	47
GARANTIE.....	48
ENREGISTREMENT DU PRODUIT.....	50

## LIRE ATTENTIVEMENT TOUTES LES CONSIGNES AVANT DE COMMENCER

TOUT LE CÂBLAGE ÉLECTRIQUE DOIT ÊTRE EFFECTUÉ  
PAR UN PROFESSIONNEL  
EN CONFORMITÉ AVEC LES CODES D'ÉLECTRICITÉ  
LOCAUX ET NATIONAUX



## CONSIGNES DE SÉCURITÉ IMPORTANTES

**SVP LIRE CETTE SECTION ATTENTIVEMENT AVANT L'INSTALLATION**

**AVERTISSEMENT : AFIN DE RÉDUIRE LES RISQUES D'INCENDIE, DE CHOC ÉLECTRIQUE ET DE BLESSURES, RESPECTER LES CONSIGNES SUIVANTES :**

- 1) L'installation et le câblage électrique doivent être effectués par des techniciens qualifiés et en conformité avec tous les codes et toutes les normes qui s'appliquent même pour les constructions ignifugées.
- 2) Lorsque vous découpez ou percez un mur ou un plafond, prendre soin de ne pas endommager le filage électrique ou autres conduits cachés.
- 3) Les hottes à évacuation doivent être évacuées à l'extérieur.
  - a) Avant une réparation, un entretien préventif ou un nettoyage, ouvrir le panneau de la lumière et **COUPER LE COURANT ÉLECTRIQUE SUR LE TABLEAU DE DISTRIBUTION.**
  - b) Nettoyer le ventilateur, le filtre optionnel et les surfaces chargées de graisse fréquemment. Afin de réduire les risques d'incendie et afin de disperser l'air adéquatement, évacuer l'air à l'extérieur. **NE PAS** ventiler l'air d'évacuation dans les murs, les greniers, les vides sanitaires ou les garages.

**NOTE:** La garantie de cet appareil sera nulle sans le reçu d'un distributeur autorisé de KOBE® ou si l'appareil est endommagé par une utilisation inadéquate, une installation déficiente, un usage inapproprié, un mauvais traitement, de la négligence ou par toute autre circonstance échappant au contrôle des distributeurs autorisés de KOBE®. Toute réparation effectuée sans la supervision d'un agent autorisé de KOBE® annulera automatiquement la garantie.

KOBE® se dégage de toute responsabilité face à des dommages à la propriété personnelle ou aux biens immeubles ou encore à des blessures corporelles causées directement ou indirectement par la hotte de cuisinière.

**AVERTISSEMENT : AFIN DE RÉDUIRE LES RISQUES DE BLESSURES CORPORELLES DANS L'ÉVENTUALITÉ D'UN INCENDIE DE GRAISSE SE DÉCLARANT SOUS LA HOTTE DE CUISINIÈRE :**

1. Tenir le ventilateur, le filtre, s'il y en a un, et les surfaces chargées de graisse toujours propres.
2. Toujours faire fonctionner la hotte lors d'une cuisson à température élevée.
3. Utiliser les vitesses élevées de la hotte **UNIQUEMENT** lorsque nécessaire. Chauffer l'huile lentement aux réglages de basse ou de moyenne vitesses.
4. Ne pas laisser la cuisinière sans surveillance lors de la cuisson.
5. Toujours utiliser les articles de cuisson et les ustensiles appropriés au type et à la quantité d'aliments préparés.
6. Utiliser l'appareil seulement pour l'usage auquel le fabricant l'a destiné.
7. Avant l'entretien courant, couper l'alimentation électrique au tableau de distribution principal et verrouiller ce dernier (si possible) pour éviter une mise en marche accidentelle.
8. Nettoyer les ventilateurs fréquemment. La graisse ne doit pas s'accumuler sur les ventilateurs, les grilles de protection et les récupérateurs de graisse.

### Que faire en cas d'un incendie de graisse sur la cuisinière

- **ÉTOUFFER LES FLAMMES** à l'aide d'un couvercle hermétique, une plaque à biscuits ou un plateau métallique, puis fermer le rond ou le brûleur. **GARDER LES MATÉRIAUX INFLAMMABLES OU COMBUSTIBLES LOIN DES FLAMMES.** Si les flammes ne s'éteignent pas immédiatement, **ÉVACUER LA ZONE ET APPELER LE SERVICE D'INCENDIE ou le 911.**
- **NE JAMAIS SOULEVER UNE CASSEROLE EN FEU** - Il y a risque de brûlure.
- **NE PAS UTILISER D'EAU** incluant serviettes ou linges à vaisselle mouillés - cela provoquerait un violent jet de vapeur.
- Utiliser un extincteur **SEULEMENT** si:
  - a) vous possédez un extincteur de classe A, B ou C et si vous savez vous en servir;
  - b) le feu est petit et est contenu dans la zone de départ;
  - c) vous avez appelé le service d'incendie;
  - d) vous pouvez combattre le feu le dos près d'une sortie.

### Que faire si une odeur de gaz se dégage

- Éteindre toute flamme nue.
- Ne pas essayer d'allumer des lumières ou tout type d'appareil électroménager.
- Ouvrir toutes les portes et fenêtres afin de chasser le gaz. Si une odeur de gaz est toujours perceptible, appeler votre fournisseur de gaz ainsi que le service d'incendie immédiatement.

## **ATTENTION**

- 1) Cette hotte doit être utilisée uniquement pour une ventilation normale. Ne pas s'en servir pour évacuer des substances et vapeurs dangereuses ou explosives.
- 2) Afin de réduire les risques d'incendie, employer seulement des conduits de métal. Il doit y avoir suffisamment d'air pour une combustion et une évacuation des gaz appropriées par le conduit de fumée (cheminée) afin d'éviter le refoulement d'air.
- 3) Suivre les directives et les consignes de sécurité des fabricants d'équipement de chauffage comme celles publiées par le *National Fire Protection Association (NFPA)* et l'*American Society for Heating, Refrigeration and Air Conditioning Engineers (ASHRAE)* de même que les codes en vigueur.
- 4) L'activation de tout interrupteur peut provoquer l'allumage ou une explosion.
- 5) En raison de la taille et du poids de la hotte, il est recommandé que deux personnes participent à l'installation.

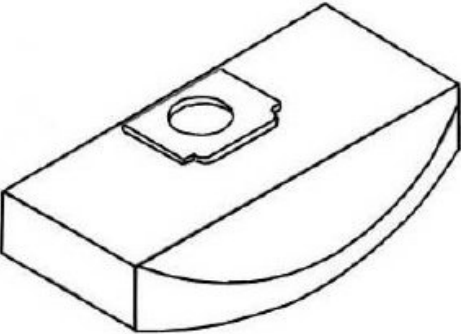


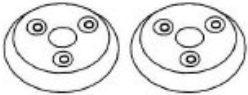

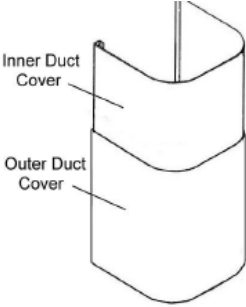



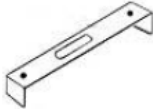

### **⚠ AVERTISSEMENT**



**RISQUE DE CHOC ÉLECTRIQUE -** Pouvant entraîner la mort ou des blessures graves. Couper l'alimentation électrique à l'appareil avant tout entretien ou toute réparation. Si la hotte est munie d'une ampoule fluorescente, cette dernière contient une petite quantité de mercure et, en conséquence, elle doit être recyclée ou éliminée conformément aux codes locaux, provinciaux et fédéraux qui s'appliquent

## CONTENU DE L'EMBALLAGE

POUR TOUT RETOUR OU REMBOURSEMENT  
CONSERVER TOUT LE MATÉRIEL AINSI QUE L'EMBALLAGE D'ORIGINE

Boîte de la hotte de cuisinière	Boîte du couvre-conduit (vendu séparément)
<p>{A} Hotte de cuisinière KOBE {B} Certificat de garantie {C} Notice d'installation et mode d'emploi {D} Récipients à graisse (ronds) {E} Récipients à graisse (ovales)</p> <p>{A}</p>  <p>{B}</p>  <p>{C}</p>  <p>{D}</p>  <p>{E}</p> 	<p>{F} Couvre-conduit KOBE (n° de modèle RA1020DC) {G} Ensemble de vis {H} Support de fixation - couvre-conduit { I } Support de fixation - hotte {F} Couvre-conduit intérieur Couvre-conduit extérieur {G} Vis 3/16 x 3/8 mm (6) Vis 4 x 8 mm (8) Cales de caoutchouc (2)</p> <p>{F}</p>  <p>{G}</p>  <p>3/16 x 3/8 mm (6 pcs)</p>  <p>4 x 8 mm (8 pcs)</p>  <p>Rubber Stand (2 pcs)</p> <p>{H}</p>  <p>{I}</p> 

- POUR DE PLUS AMPLES RENSEIGNEMENTS, VEUILLEZ VISITER NOTRE SITE WEB [www.KOBERangeHoods.com](http://www.KOBERangeHoods.com) OU COMMUNIQUER AVEC KOBE RANGE HOODS AU (626) 775-8880.

## INSTALLATION

SVP LIRE AU COMPLET AVANT L'INSTALLATION

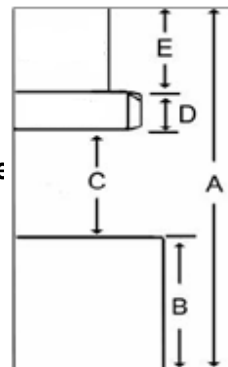
### Mesures à prendre avant l'installation

Calculer la longueur de l'installation avant d'installer la hotte. (Toutes les mesures sont données en pouces).

### HOTTE INSTALLÉE SOUS UNE ARMOIRE

#### TABLEAU 1

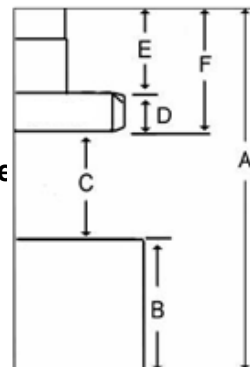
- A = Hauteur entre le plancher et le plafond
- B = Hauteur entre le plancher et le plan de travail  
(hauteur standard: 36 po)
- C = **Hauteur désirée entre le plan de travail et le dessous de hotte (dégagement recommandé: de 27 à 30 po)**
- D = Hauteur de la hotte
- E = Hauteur de l'armoire



### HOTTE INSTALLÉE AU-DESSUS D'UN ÎLOT (AVEC COUVRE-CONDUIT EN OPTION)

#### TABLEAU 2

- A = Hauteur entre le plancher et le plafond
- B = Hauteur entre le plancher et le plan de travail  
(hauteur standard: 36 po)
- C = **Hauteur désirée entre le plan de travail et le dessous de hotte (dégagement recommandé : de 27 à 30 po)**
- D = Hauteur de la hotte
- E = Hauteur du couvre-conduit [F - D]
- F = Hauteur de l'installation  
[A - (B+C)]





## INSTALLATION SOUS UNE ARMOIRE

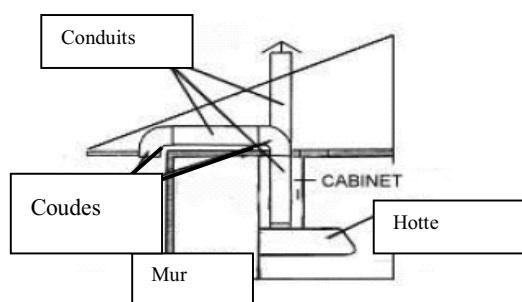
### **▲ CONSIGNES DE SÉCURITÉ**

**LES HOTTES PEUVENT AVOIR DES BORDS TRÈS TRANCHANTS ; PORTER DES GANTS DE PROTECTION SI NÉCESSAIRE POUR RETIRER DES PIÈCES LORS DE L'INSTALLATION, DU NETTOYAGE, DE L'ENTRETIEN ET DES RÉPARATIONS.**

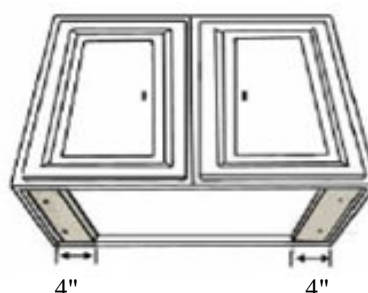
#### Préparation avant l'installation

**NOTE:** AFIN DE PRÉVENIR TOUT DOMMAGE À LA HOTTE, IL FAUT EMPÊCHER LES DÉBRIS DE PÉNÉTRER DANS L'OUVERTURE DE VENTILATION.

- Choisir l'emplacement du conduit de ventilation de la hotte à l'extérieur. Voir photo 1.
- Avant de l'installer, brancher la hotte temporairement pour vérifier si son fonctionnement est adéquat.
- Enlever la pellicule protectrice de la hotte (s'il y a lieu).
- Si le fond de l'armoire est en retrait, fixer une languette de bois de 4 po de largeur (non incluse) de chaque côté. Voir photo 2.
- Mesurer et découper un orifice permettant l'accès du filage électrique sous l'armoire.



**Photo 1**



**Photo 2**

#### Installation de la hotte

**AVERTISSEMENT :** S'il faut déplacer une cuisinière électrique pour installer la hotte, couper d'abord l'alimentation électrique à cette cuisinière par le tableau de distribution principal.  
**COUPER LE GAZ AVANT DE DÉPLACER UNE CUISINIÈRE À GAZ.**

1. Perforer les trous où le pré marquage est indiqué sur la hotte comme illustré à la photo 3.



**Photo 3**

2. **NOTE:** FAIRE PREUVE DE PRÉCAUTION EN UTILISANT UN TOURNEVIS ÉLECTRIQUE PUISQUE CE DERNIER RISQUE D'ENDOMMAGER LA HOTTE. Dévisser les six vis du caisson inférieur (pare-éclaboussures). Retirer le panneau inférieur comme illustré à la photo 4, faire passer le filage électrique dans le trou d'un pouce de diamètre de la hotte.
3. À l'aide des références du Tableau 1 et des mesures de la page 42, centrer la hotte en place en-dessous de l'armoire et à égalité avec le devant de l'armoire.  
Voir photo 5.



**Figure 4**



**Figure 5**

4. Tirer les fils électriques à travers l'ouverture dans l'armoire.
5. Placer les vis (non fournies) exactement au centre de chaque trou où il y a pré marquage. S'assurer que toutes les vis sont bien en place avant de les visser solidement. **AVERTISSEMENT: S'ASSURER QUE LA HOTTE EST FIXÉE SOLIDEMENT AVANT DE LA RELÂCHER.**

### **Raccordement au réseau de conduits**

6. Utiliser un tuyau d'aluminium ou d'acier pour raccorder l'adaptateur de sortie en plastique de la hotte au réseau de conduits au-dessus. Utiliser du ruban adhésif entoilé d'aluminium pour rendre les raccords sécuritaires et hermétiques.

## Connexion à l'alimentation électrique

### 7. Branchement des fils électriques

- S'il est nécessaire de cacher les connexions des fils électriques, enfoncer les fils dans le boîtier de câblage. Accéder aux connexions par le dessous de la hotte en dévissant les six vis retenant le caisson inférieur (pare-éclaboussures). Avant de fixer à nouveau le caisson inférieur, s'assurer que les fils ne glissent pas entre les moteurs, les ventilateurs ou d'autres pièces en mouvement afin de prévenir tout dommage.

## **CONSIGNE DE SÉCURITÉ**

**RISQUE DE CHOC ÉLECTRIQUE. CETTE HOTTE DE CUISINIÈRE DOIT ÊTRE MISE À LA TERRE ADÉQUATEMENT. CE TRAVAIL DOIT ÊTRE EXÉCUTÉ PAR UN ÉLECTRICIEN PROFESSIONNEL EN CONFORMITÉ AVEC TOUS LES CODES D'ÉLECTRICITÉ LOCAUX ET NATIONAUX QUI S'APPLIQUENT. AVANT DE BRANCHER DES FILS, COUPER LE COURANT ÉLECTRIQUE AU TABLEAU DE DISTRIBUTION PRINCIPAL ET VERROUILLER CE DERNIER POUR ÉVITER QUE LE COURANT SOIT REMIS ACCIDENTELLEMENT.**

- Raccorder les trois fils (noir, blanc et vert) aux fils de la maison et couvrez-les avec des capuchons de connexion.
- Raccorder les fils selon la couleur: noir avec noir, blanc avec blanc et vert avec vert.
- Vérifier le bon fonctionnement de la hotte avant de poursuivre. S'assurer que la hotte est alimentée en courant.

## Installation des accessoires

8. Placer un récipient à graisse (rond) sous chacune des grilles de protection. Tourner dans le sens des aiguilles d'une montre jusqu'à ce qu'il soit solidement en position. Voir photo 6.
9. Faire glisser le récipient à graisse (ovale) dans la fente en plastique derrière chaque grille de protection. Voir photo 7.



**Figure 6**



**Figure 7**

## Assemblage final

1. Démarrer la hotte par la commande marche/arrêt. Vérifier le fonctionnement de toutes les lampes et du ventilateur.
2. Remettre ce manuel au propriétaire pour consultation future.

## INSTALLATION AU-DESSUS D'UN ÎLOT

\*\*\* Cette installation est possible uniquement avec l'achat d'un couvre-conduit \*\*\*



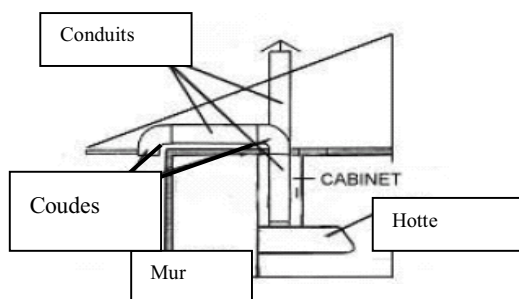
### CONSIGNES DE SÉCURITÉ

LES HOTTES PEUVENT AVOIR DES BORDS TRÈS TRANCHANTS ; PORTER DES GANTS DE PROTECTION SI NÉCESSAIRE POUR RETIRER DES PIÈCES LORS DE L'INSTALLATION, DU NETTOYAGE, DE L'ENTRETIEN ET DES RÉPARATIONS.

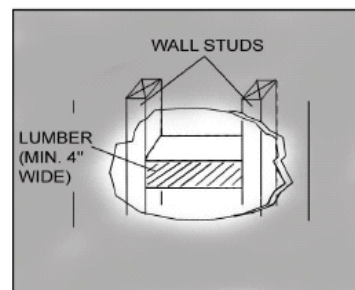
#### Préparation avant l'installation

**NOTE:** AFIN DE PRÉVENIR TOUT DOMMAGE À LA HOTTE, IL FAUT EMPÊCHER LES DÉBRIS DE PÉNÉTRER DANS L'OUVERTURE DE VENTILATION.

- Choisir le réseau de conduits et les emplacements. Voir photo 8.
- Choisir l'emplacement du conduit de ventilation de la hotte vers l'extérieur. Un conduit court et droit permet de maximiser le rendement de la hotte.
- Essayer d'éviter autant que possible les raccords, les coudes et les longues sections de conduit puisque ces derniers peuvent réduire le rendement de la hotte.
- Utiliser du ruban adhésif entoilé pour sceller les raccords entre les sections de tuyau.
- Si nécessaire, renforcer le mur arrière en y ajoutant du bois de charpente pour une installation sécuritaire.
- À l'aide des références du Tableau 2 et des mesures de la page 42, déterminer la hauteur du soutien de bois supplémentaire. Voir photo 9.



**Photo 8**



**Photo 9**

Wall studs = Poteaux muraux

Lumber (min. 4'' wide) = Bois (min. 4 po. Largeur)

#### Préparation de la hotte avant l'installation

- Avant de l'installer, brancher la hotte temporairement pour vérifier si son fonctionnement est adéquat.
- Enlever la pellicule protectrice de la hotte et du couvre-conduit (s'il y a lieu).
- Fixer le support de fixation de la hotte derrière la hotte à l'aide des vis 3/16 x 3/8 mm (fournies) comme illustré à la photo 10.

### Installation de la hotte

**AVERTISSEMENT:** S'il faut déplacer une cuisinière électrique pour installer la hotte, couper d'abord l'alimentation électrique à cette cuisinière par le tableau de distribution principal.  
**COUPER LE GAZ AVANT DE DÉPLACER UNE CUISINIÈRE À GAZ.**

1. Si requis, fixer deux cales de caoutchouc (fournies) à l'aide de deux vis 4 x 8 mm (fournies) à l'endos de la hotte.
2. À l'aide des références du Tableau 2 et des mesures de la page 42, marquer les repères de mise à niveau de la hotte. Fixer deux vis (non fournies) au mur en laissant un jeu de 1/8 po du mur comme illustré à la photo 11.
3. Aligner le support de fixation de la hotte aux deux vis au mur et accrocher la hotte en place. Serrer les vis pour bien fixer la hotte au mur. **AVERTISSEMENT:** S'ASSURER QUE LA HOTTE EST SOLIDEMENT FIXÉE AVANT DE LA LÂCHER.



Photo 10



Photo 11

### Installation du couvre-conduit

4. Marquer l'emplacement du support de fixation du couvre-conduit. Utiliser la référence **E** du Tableau 2. Attacher solidement le support de fixation du couvre-conduit avec deux vis (non fournies). Voir photo 12. NOTE: Le couvre-conduit intérieur recouvrira le support de fixation du couvre-conduit.
5. Brancher les fils électriques. Voir la section « Câblage à l'alimentation électrique ». S'il est nécessaire de cacher les connexions des fils électriques, enfoncez les fils dans le boîtier de câblage. Accéder aux connexions par le dessous de la hotte en dévissant les six vis retenant le caisson inférieur (pare-éclaboussures). Avant de fixer à nouveau le caisson inférieur, s'assurer que les fils ne glissent pas entre les moteurs, les ventilateurs ou d'autres pièces en mouvement afin de prévenir tout dommage.
6. Utiliser un tuyau d'aluminium ou d'acier pour raccorder l'adaptateur de sortie de la hotte au conduit au-dessus. Utiliser du ruban adhésif entoilé d'aluminium pour rendre tous les raccords sécuritaires et hermétiques.
7. Faire glisser le couvre-conduit intérieur de 2 po avant de glisser le couvre-conduit entier sur la hotte. Voir photo 13.



Photo 12



photo 13

8. Ajuster la hauteur du couvre-conduit intérieur à celle du support de fixation du couvre-conduit. Fixer solidement le couvre-conduit intérieur avec deux vis 4 x 8 mm (fournies) comme illustré à la photo 14.
9. Attacher le couvre-conduit extérieur à la plaque de sortie en plastique de la hotte avec quatre vis 4 x 8 mm (fournies).



**Photo 14**

### Câblage à l'alimentation électrique

## **⚠️ CONSIGNE DE SÉCURITÉ**

RISQUE DE CHOC ÉLECTRIQUE. CETTE HOTTE DE CUISINIÈRE DOIT ÊTRE MISE À LA TERRE ADÉQUATEMENT. CE TRAVAIL DOIT ÊTRE EXÉCUTÉ PAR UN ÉLECTRICIEN PROFESSIONNEL EN CONFORMITÉ AVEC TOUS LES CODES D'ÉLECTRICITÉ LOCAUX ET NATIONAUX QUI S'APPLIQUENT. AVANT DE BRANCHER DES FILS, COUPER LE COURANT ÉLECTRIQUE AU TABLEAU DE DISTRIBUTION PRINCIPAL ET VERROUILLER CE DERNIER POUR ÉVITER QUE LE COURANT SOIT REMIS ACCIDENTELLEMENT.

- Raccorder les trois fils (noir, blanc et vert) aux fils de la maison et couvrez-les avec des capuchons de connexion.
- Raccorder les fils selon la couleur: noir avec noir, blanc avec blanc et vert avec vert.
- Vérifier le bon fonctionnement de la hotte avant de poursuivre. S'assurer que la hotte est alimentée en courant.

## Installation des accessoires

10. Placer un récipient à graisse (rond) sous chacune des grilles de protection. Tourner dans le sens des aiguilles d'une montre jusqu'à ce qu'il soit solidement en position. Voir photo 15.
11. Faire glisser le récipient à graisse (ovale) dans la fente en plastique derrière chaque grille de protection. Voir photo 16.



**Photo 15**



**Photo 16**

## Assemblage final

12. Démarrer la hotte par la commande marche/arrêt. Vérifier le fonctionnement de toutes les lampes et du ventilateur.
13. Remettre ce manuel au propriétaire pour consultation future.

## MODE D'EMPLOI

Cette hotte de cuisinière KOBE® est munie de : quatre commandes à interrupteur, deux puissants ventilateurs centrifuges avec grilles de protection, deux lampes halogènes 12 volts, 20 watts ainsi que quatre récipients à graisse.

Les quatre commandes sont: la commande des lampes « Light control », la commande des vitesses « Speed Control », la commande *QuietMode*™ et la commande marche/arrêt « ON/OFF ». Voir photo 17.

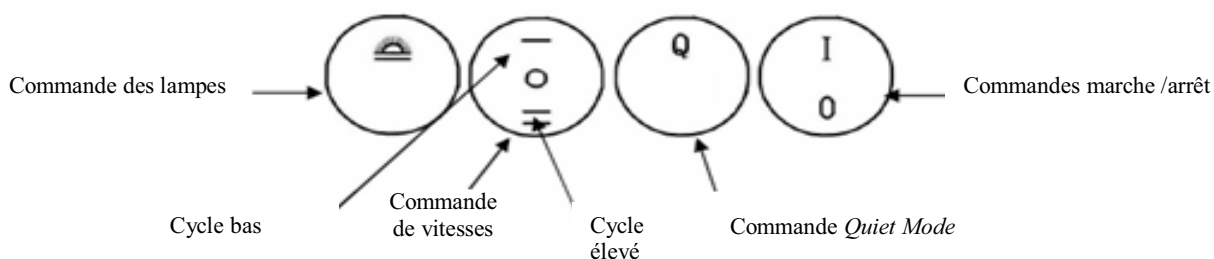


Photo 17

### MISE EN MARCHÉ

- Presser sur l'interrupteur marche/arrêt pour démarrer la hotte.
- Presser sur l'interrupteur des vitesses (cycle bas, arrêt, cycle élevé) ou l'interrupteur *QuietMode*™ pour choisir la vitesse désirée. Une fois que la commande marche/arrêt est en fonction, les sélections précédentes sont maintenues.
- Presser sur l'interrupteur *QuietMode*™ pour enclencher ce cycle. La commande des vitesses sera automatiquement mise hors fonction lorsque la commande *QuietMode*™ est en fonction.
- Presser sur l'interrupteur des lampes pour allumer les lampes halogènes.

### ARRÊT

- Presser sur l'interrupteur marche/arrêt, le courant se coupera immédiatement.  
Note: la commande marche/arrêt est le principal régulateur de courant.



## ENTRETIEN

### **AVERTISSEMENT:**

**NE JAMAIS METTRE LES MAINS DANS L'AIRE ABRITANT LE VENTILATEUR ALORS QUE CELUI-CI EST EN FONCTION.**

Pour favoriser un rendement optimal, nettoyer régulièrement les surfaces de la hotte, les grilles de protection ainsi que les récipients à graisse.

### **Nettoyage des surfaces de la hotte**

**AVERTISSEMENT : NE JAMAIS EMPLOYER DE NETTOYANTS ABRASIFS, DE LAINES D'ACIER OU DE TISSUS ABRASIFS.**

\*\*\* Un entretien fréquent aidera à conserver la belle apparence de la hotte.

1. Utiliser seulement du savon doux ou du détergent. Sécher les surfaces avec un chiffon doux.
2. Si la hotte est tachée (hotte en acier inoxydable), utiliser un nettoyant à base d'agrumes pour nettoyer les surfaces. Éviter de mettre du nettoyant sur les boutons de commande. Étendre une petite quantité sur les surfaces et laisser reposer quelques minutes (ne pas laisser trop longtemps car cela pourrait endommager le fini de la hotte). À l'aide d'un chiffon doux, enlever la solution nettoyante et frotter doucement les taches rebelles. Utiliser un chiffon légèrement humide pour enlever tout résidu de solution nettoyante. Sécher la hotte avec un chiffon doux.
3. Pour redonner du brillant au fini en acier inoxydable, utiliser un nettoyant pour acier inoxydable.
4. **NE PAS** laisser les dépôts s'accumuler durant de longues périodes de temps.
5. **NE PAS** utiliser de laines ou de brosses à récurer ordinaires. Des particules d'acier peuvent adhérer à la surface et la faire rouiller.
6. **NE PAS** permettre à des solutions salines, des désinfectants, des javellisants ou des agents nettoyants de rester en contact avec l'acier inoxydable durant de longues périodes. Plusieurs de ces nettoyants contiennent des produits chimiques pouvant causer du tort à l'acier inoxydable. Après tout contact de ce type, rincer à l'eau et essuyer avec un chiffon doux.

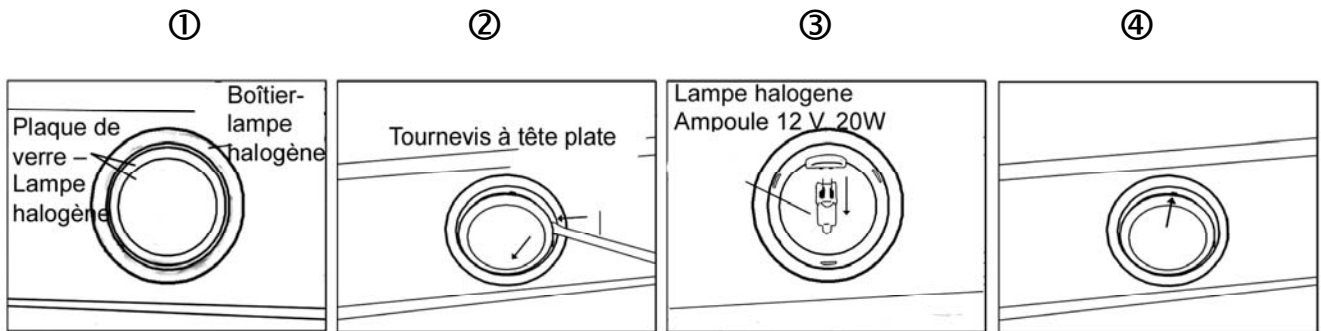
### **Nettoyage des récipients à graisse, des grilles de protection et des ventilateurs**

**AVERTISSEMENT : VIDER LES RÉCIPIENTS À GRAISSE AVANT QUE CEUX-CI NE DÉBORDENT.**

1. Nettoyage normal
  - Pulvériser un dégraissant doux sur le ventilateur et le faire fonctionner à vitesse élevée. Un résidu liquide s'accumulera dans les récipients à graisse.
2. Nettoyage des récipients à graisse
  - Enlever chaque récipient (rond) en le tournant à l'inverse des aiguilles d'une montre.
  - Enlever chaque récipient (ovale) en le glissant vers l'avant.
  - Laver dans une eau chaude savonneuse. Sécher entièrement avant de remettre en place.
  - Peut se laver en toute sécurité dans le haut du lave-vaisselle.
3. Nettoyage des grilles de protection
  - Enlever la vis de la grille de protection et faire glisser la grille pour la retirer.
  - Laver dans une eau chaude savonneuse. Sécher entièrement avant de remettre en place.
  - Peut se laver en toute sécurité dans le haut du lave-vaisselle.

### **REPLACEMENT D'UNE AMPOULE**

**AVERTISSEMENT : LA LAMPE HALOGÈNE PEUT ÊTRE BRÛLANTE ! ATTENDRE QU'ELLE SE REFROIDISSE AVANT DE PROCÉDER.**



1. S'assurer que toutes les commandes sont en mode ARRÊT et que la hotte de cuisinière est débranchée.
2. Glisser le tournevis à tête plate dans l'espace entre la plaque de verre et le boîtier de la lampe. ①
3. Retirer la plaque de verre. ②
4. En douceur, tirer sur l'ampoule défectueuse pour l'enlever et la jeter. Les ampoules à utiliser doivent être de 12 V et de 20 W au maximum. ③
5. À l'aide d'un linge, tenir la nouvelle ampoule et la pousser fermement dans la douille.
6. Remettre la plaque de verre par-dessus le boîtier. ④
7. Brancher la hotte de cuisinière pour en vérifier le fonctionnement.

## SPÉCIFICATIONS

MODÈLE / FORMAT	RA3830SQ - 30 po RA3836SQ - 36 po		
COULEUR	Acier inoxydable de qualité commerciale n° 430		
VOLTAGE	120 V - 60 Hz		
NOMBRE DE MOTEURS	2		
DESIGN	Fini sans joints de calibre 18		
TYPE DE VENTILATEUR	Ventilateur à pales de turbines doubles		
ÉVACUATION	évent rond de 6 po		
COMMANDES	3 vitesses ( <i>QuietMode</i> <sup>™</sup> , cycle bas, cycle élevé)		
LAMPES HALOGÈNES	2 lampes 12 V, 20 W		
DIMENSIONS DE LA HOTTE (LARGEUR X PROFONDEUR X HAUTEUR)	RA3830SQ - 29 3/4 x 20 1/2 x 5 1/8 po RA3836SQ - 35 1/4 x 20 1/2 x 5 1/8 po		
ACCESSOIRES EN OPTION (LARGEUR X PROFONDEUR X HAUTEUR)	1) Couvre-conduit réglable en deux pièces (RA1020DC) 10 5/8 x 9 1/8 po x (20 5/8 ~ 39 5/8 po) 2) Panneau arrière en acier inoxydable - 30 po (SSP30) 30 x 1/10 x 32 po 3) Panneau arrière en acier inoxydable - 36 po (SSP36) 36 x 1/10 x 32 po		
POIDS (lb)		<b>NET</b>	<b>BRUT</b>
	RA3830SQ	37,0	43,0
	RA3836SQ	39,0	47,0
VITESSE	Quiet Mode <sup>™</sup>	<b>Cycle bas</b>	<b>Cycle élevé</b>
Capacité d'air (cfm)	330	480	720
Sone*	1.2*	3.0	4.8

\* Un sone équivaut au son d'un réfrigérateur à 40 décibels.

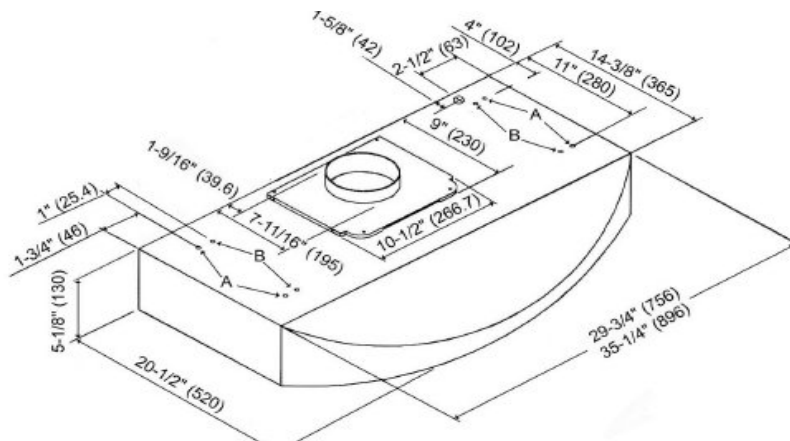
\*\* Les spécifications sont sujettes à changement sans préavis.

## MESURES ET SCHÉMAS

\*\*\* Toutes les mesures en pouces sont converties à partir de millimètres. Les mesures en pouces sont estimées.

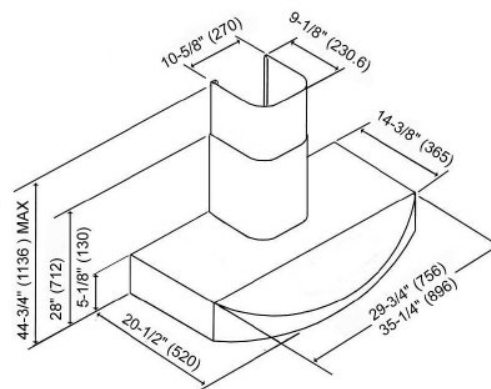
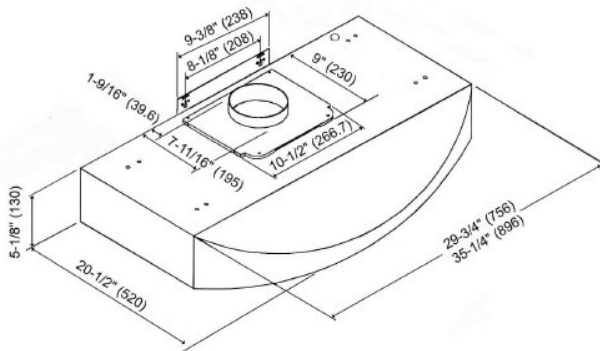
\*\*\* Toutes les mesures entre parenthèses sont en millimètres.

### INSTALLATION SOUS UNE ARMOIRE



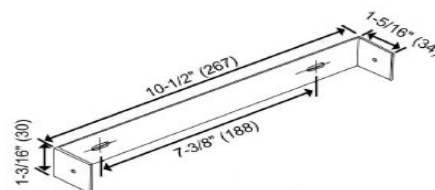
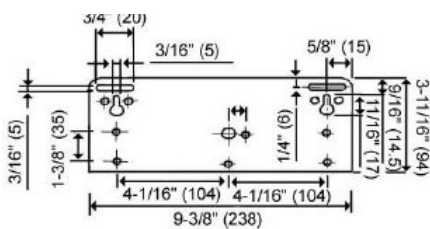
hottes de 30 po = trous défonçables « A »  
 hottes de 36 po = trous défonçables « A » et « B »

### INSTALLATION AU-DESSUS D'UN ÎLOT (AVEC COUVRE-CONDUIT EN OPTION)



\*\*\* Support de fixation – hotte

\*\*\* Support de fixation – couvre-conduit



## LISTE DES PIÈCES

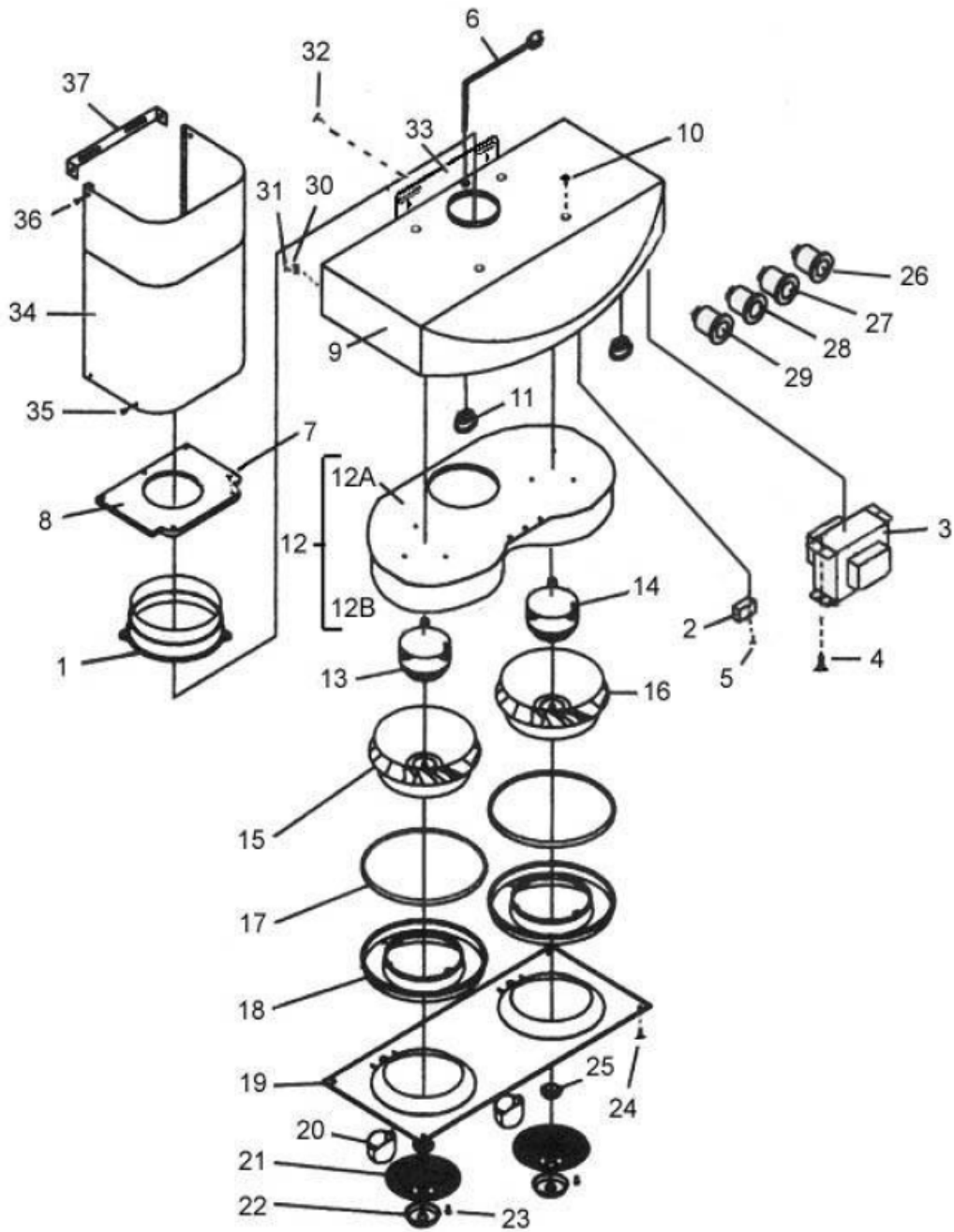
N<sup>os</sup> de modèles: RA3830SQ  
RA3836SQ

N°	DESCRIPTION	MODÈLE/FORMAT	N° DE PIÈCE
1	Évent rond de 6 po en plastique		C1-0505-0001
2	Condensateur		C1-0401-0120-01A
3	Transformateur (lampe)		C1-0402-0120-40
4	Vis (4 X 6 mm)		C1-0708-0001
5	Vis (4 X 6 mm)		C1-0708-0001
6	Cordon d'alimentation électrique		C1-0406-0120
7	Vis (TS 4 x 18 mm)		C1-0708-0004
8	Plaque en plastique		C1-0507-0201
9	Caisson supérieur de la hotte	RA3830SQ RA3836SQ	10-03300 10-03360
10	Vis (3/16 po x 5/8 po)		C1-0704-0004
11	Lampe halogène (12 V, 20 W max.)		C1-0403-0101
12	Boîtier de moteur	RA3830SQ	C1-0101-0382
A	Boîtier de moteur (supérieur)	RA3836SQ	
		RA3830SQ	C1-0102-0382
B	Boîtier de moteur (latéral)	RA3836SQ	
13	Moteur (gauche)		C1-0301-0120-13A
14	Moteur (droit)		C1-0301-0120-14A
15	Pale de turbine (gauche)		C1-0251-0092-01
16	Pale de turbine (droite)		C1-0251-0092-02
17	Couvercle de récupérateur de graisse		C1-0502-0301
18	Récupérateur de graisse		C1-0502-0203
19	Panneau pare-éclaboussures (caisson inférieur)	RA3830SQ RA3836SQ	B101-0330-09 B101-0392-09
20	Récipient à graisse (ovale)		C1-0504-0101
21	Grille de protection		C1-0602-0101
22	Récipient à graisse (rond)		C1-0503-0101
23	Vis de la grille de protection		C1-0705-0001
24	Vis (3/16 po x 5/8 po)		C1-0704-0004
25	Couvercle de plastique du ventilateur		C1-0251-0001
26	Interrupteur marche/arrêt		C1-0405-0211
27	Interrupteur <i>QuietMode</i> <sup>TM</sup>		C1-0405-0214
28	Interrupteur des vitesses		C1-0405-0212
29	Interrupteur des lampes		C1-0405-0213
30	Cale de caoutchouc		C1-0511-0211
31	Vis (TS 4 x 8 mm)		C1-0708-0006

### Couvre-conduit optionnel

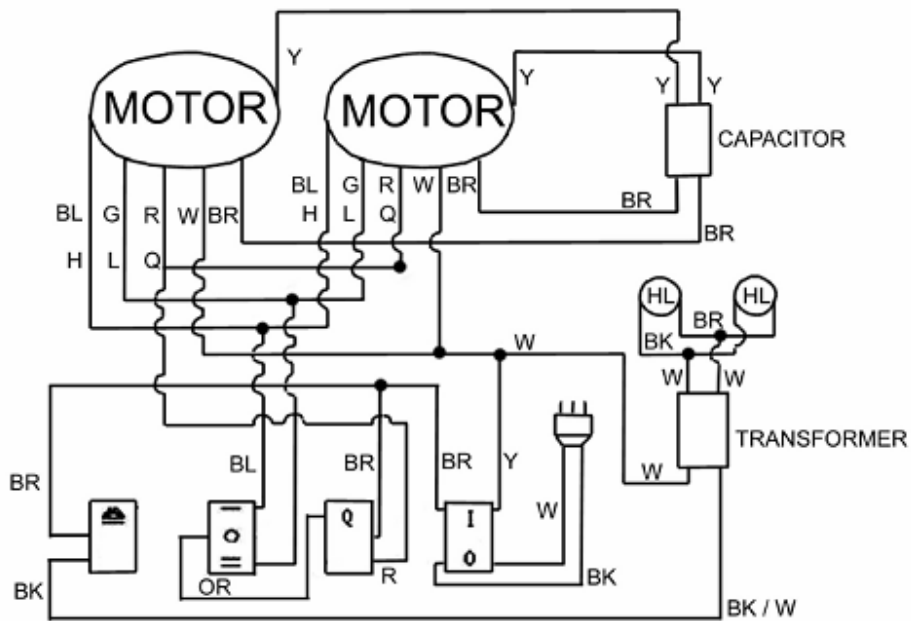
N°	DESCRIPTION	MODÈLE/FORMAT	N° DE PIÈCE
32	Vis (3/16 po x 3/8 po)		C1-0707-0001
33	Support de fixation de la hotte		C1-0221-0330
34	Couvre-conduit	RA1020DC	12-02000-430
35	Vis à tête ronde ( TS 4 x 8 mm)		C1-0708-0006
36	Vis à tête ronde ( TS 4 x 8 mm)		C1-0708-0006
37	Support de fixation du couvre-conduit		C1-0203-0002

Modèles: RA3830SQ  
RA3836SQ



# SCHÉMA DE CÂBLAGE

Modèles: RA3830SQ  
RA3836SQ



## TROUBLE SHOOTING

Problème	Cause probable	Solution
Après l'installation, les deux moteurs et les lumières ne fonctionnent pas.	Pas d'alimentation électrique. Assurez-vous que le disjoncteur et que l'alimentation électrique soient en marche.	Utilisez un voltmètre pour vérifier l'alimentation en électricité.
	Le câblage n'est pas bien installé.	Vérifiez et serrez les connexions de fils.
	Le câblage du panneau de commande et de la carte processeur est débranché.	Vérifiez le câblage au complet à partir du panneau de commande jusqu'à la carte processeur.
	Le transformateur du moteur est défectueux	Vérifiez l'entrée de courant et la sortie de courant du transformateur du moteur. Si nécessaire, remplacez le transformateur du moteur.
Le panneau de commande ou la carte processeur est défectueux.		Remplacez le panneau de commande ou la carte processeur.
Les lumières fonctionnent, mais pas le(s) moteur(s).	Le(s) moteur(s) est (sont) défectueux.	Remplacez le(s) moteur(s).
	Le(s) condensateur(s) est (sont) défectueux.	Remplacez le(s) condensateur(s).
	Le panneau de commande ou la carte processeur est défectueux.	Remplacez le panneau de commande ou la carte processeur.
La hotte de cuisine vibre.	Le système de ventilation n'est pas bien installé.	Serrez la pale turbine/cage d'écureuil et le réservoir d'air.
	La pale turbine/cage écureuil n'est pas bien balancée.	Remplacez la pale turbine/cage d'écureuil.
	La hotte n'est pas assez bien serrée.	Vérifiez l'installation de la hotte, serrez le support de fixation.
Le moteur fonctionne, mais pas les lumières.	L'ampoule de la lampe halogène est défectueuse.	Essayez l'ampoule de lampe défectueuse sur une douille qui fonctionne. Si l'ampoule ne fonctionne toujours pas, remplacez-la.
	Le câblage de la lampe n'est pas assez serré.	Vérifiez le câblage au complet à partir de la carte processeur jusqu'au transformateur puis jusqu'au boîtier.
	Le transformateur de la lumière est défectueux.	Vérifiez l'entrée de courant et la sortie de courant du transformateur de lampe. Si nécessaire, remplacez le transformateur de lampe.
	Le panneau de commande ou la carte processeur est défectueux.	Remplacez le panneau de commande ou la carte processeur.
La hotte de cuisine ne ventile pas correctement.	La hotte de cuisine est installée hors des limites recommandées par le fabricant.	Ajustez le dégagement entre la hotte de cuisine et la table de cuisson pour qu'il soit de 27" à 30". Pour une hotte de cuisinière sur îlot, le dégagement entre la hotte de cuisine et la table de cuisson est de 30" à 36".
	Il n'y a pas d'air d'appoint à l'intérieur de la maison.	Ouvrez la fenêtre pour améliorer la performance de la hotte en créant suffisamment d'air d'appoint.
	Un obstacle bloque la canalisation.	Enlevez tous les obstacles de la canalisation.
	La canalisation est plus petite que la canalisation suggérée.	Changez la canalisation en accord avec les suggestions du fabricant.
De l'air froid entre dans la maison.	La connexion du conduit n'est pas scellée correctement.	Vérifiez l'installation du conduit.
	Le clapet n'est pas bien installé ou manque à l'installation.	Vérifiez l'installation du clapet.
	Le clapet n'est pas installé.	En installant le clapet, vous aiderez à éliminer le retour d'air.



## **AVIS DE NON-RESPONSABILITÉ**

1. **VÉRIFIEZ SOIGNEUSEMENT TOUS LES ARTICLES POUR DES DOMMAGES AVANT D'ACCEPTER LA LIVRAISON. NOTEZ TOUS LES DOMMAGES SUR LA FACTURE DE FRET OU SUR LE REÇU EXPRESS. DEMANDEZ LE NOM ET LA SIGNATURE DE L'AGENT DU TRANSPORTEUR ET GARDEZ UNE COPIE POUR SOUTENIR VOTRE RÉCLAMATION.**

Après l'acceptation des articles, le propriétaire assume la responsabilité de bonne arrivée. Signalez les dommages au transporteur et complétez une réclamation immédiatement. Sinon votre réclamation pourrait être refusée. Le transporteur vous fournira les formulaires nécessaires pour compléter la réclamation.

**LES DOMMAGES CAUSÉS DURANT LE TRANSIT NE SONT PAS COUVERTS SOUS NOTRE GARANTIE.**

2. **VEUILLES INSPECTER SOIGNEUSEMENT LE CONTENU DE(S) L'EMBALLAGE(S) SUR RÉCEPTION !**

Nous devons être avertis par écrit de tous dommages et/ou pièces manquantes en dedans du nombre de jours alloué à partir de la date de réception de votre (vos) emballage(s). Communiquez avec votre fournisseur ou distributeur KOBE ou appelez KOBE pour la limite de temps.

**LES RÉCLAMATIONS NE SERONT PAS ACCEPTÉES APRÈS LE NOMBRE DE JOURS ALLOUÉ.**

REMARQUE : LES ARTICLES ONT ÉTÉ ENTIÈREMENT TESTÉS ET SOIGNEUSEMENT EMBALLÉS À NOTRE USINE AVANT L'EXPÉDITION.

3. Les produits doivent être retournés en bonne condition de fonctionnement avec TOUTES les pièces originales et la documentation emballés dans les boîtes d'origine, avec les particules de bourrage et les boîtes d'expédition. Des frais de réapprovisionnement de 25% seront chargés pour tous les articles approuvés.

**LES ÉCHANGES ET LES RETOURS PEUVENT NE PAS ÊTRE ACCEPTÉS SI TOUT EMBALLAGE EST MANQUANT.**

4. **ASSUREZ-VOUS D'INSPECTER LA HOTTE POUR TOUS DOMMAGES ET DÉFECTUOSITÉS AVANT L'INSTALLATION.** Les défauts dans l'apparence de la hotte trouvés après l'installation et qui n'affectent pas la performance de la hotte ne sont pas couverts sous notre garantie pour les retours et les échanges. Les visites de service non couvertes sous la garantie auront des frais de service.

A) Avant l'installation : Retour pour échange ou remboursement (veuillez voir ci-dessus pour les retours acceptables).

B) Après l'installation : AUCUN échange ou retour.

# GARANTIE

## CERTIFICAT DE GARANTIE

Tous les produits fabriqués ou fournis par KOBE Range Hoods sont garantis contre tout défaut de fabrication et de matière première. Les obligations du fabricant dans le cadre de la présente garantie sont limitées à une période de deux (2) ans à partir de la date d'achat et à la réparation ou au remplacement, à sa discrétion, conformément aux modalités et conditions énoncées plus bas, de tout composant qu'il jugera défectueux après examen.

### PÉRIODE DE GARANTIE DE DEUX (2) ANS

Toute défaillance couverte par la garantie se produisant dans les deux (2) ans à compter de la date d'achat d'origine et découlant d'une fabrication ou d'une matière première défectueuse sera réparée (ou, à notre discrétion, l'appareil pourra être remplacé), sans frais, par un agent autorisé de KOBE Range Hoods ou par KOBE Range Hoods selon le cas. Conservez votre preuve d'achat (ou facture d'origine) pour inspection.

Si la hotte de cuisinière est vendue par l'acheteur d'origine au cours de la période de garantie, le nouveau propriétaire sera protégé jusqu'à l'expiration de la garantie de l'acheteur d'origine.

### CONDITIONS

Les conditions suivantes s'appliquent seulement en relation avec la garantie accordée expressément par le présent certificat.

- 1) La présente garantie est valide uniquement :
  - a) aux États-Unis et au Canada;
  - b) si la hotte de cuisinière est utilisée pour un USAGE FAMILIAL UNIQUE (si la hotte sert à un USAGE COMMERCIAL OU À PLUSIEURS FAMILLES OU À D'AUTRES FINS, la garantie sera nulle et non avenue).
- 2) La réparation de tout défaut couvert par la présente garantie ne sera pas couverte :
  - a) si le numéro d'identification de la hotte a été altéré, rendu illisible ou enlevé;
  - b) si le défaut n'a pas été déclaré au cours de la période de garantie applicable;
  - c) dans le cas de défectuosité des ampoules ou des lampes à rayons infrarouges;
  - d) dans le cas de tout dommage physique;
  - e) pour des surfaces endommagées par l'utilisation de produits nettoyants inappropriés;
  - f) si l'appareil a été:
    - i). soumis à un mauvais usage, un abus, une négligence, un accident, une installation inadéquate ou si les instructions du mode d'emploi n'ont pas été respectées;
    - ii). branché à une alimentation électrique ou à des conduits d'évacuation inappropriés, inadéquats ou défectueux ou opéré avec l'emploi de lubrifiants inadéquats ou contaminés;
    - iii). installé, entretenu ou opéré autrement qu'en conformité avec les instructions fournies par KOBE Range Hoods incluant l'utilisation inappropriée de détergents, javellisants ou nettoyants.
  - g) pour tout dommage à la hotte durant le transport, la livraison, l'installation ou l'enlèvement ;
  - h) pour tout dommage résultant d'un essai de réparation effectué par une autre personne que par un technicien de service autorisé par KOBE.
  - i) le bruit ou la vibration causé par une installation inappropriée de la hotte de ventilation et/ou du clapet.

- 3) L'acheteur sera responsable de tous les frais requis pour rendre la hotte facilement accessible au service et, lorsque la hotte est installée à l'extérieur du territoire de ventes principal du détaillant ou du territoire de service de l'agent autorisé de KOBE Range Hoods le plus près, selon le cas, de tous les frais de déplacement et de tous les frais de transport de la hotte ou de pièces de celle-ci jusqu'au détaillant ou au technicien de service (aller-retour).
- 4) L'acheteur doit fournir la preuve d'achat de même que le présent certificat de garantie au moment de faire une réclamation.
- 5) Les dommages causés durant l'expédition ne sont pas couverts sous la présente garantie.

### **DOMMAGES INDIRECTS**

KOBE Range Hoods, Inc. ne sera pas tenue responsable des dommages indirects. CERTAINS ÉTATS ET CERTAINES PROVINCES NE PERMETTENT PAS L'EXCLUSION DES DOMMAGES INDIRECTS. EN CONSÉQUENCE, LA PRÉSENTE EXCLUSION PEUT NE PAS S'APPLIQUER DANS VOTRE CAS.

### **GARANTIES TACITES / RÉGLEMENTATION**

Toutes les garanties tacites, incluant la garantie implicite de qualité marchande et de pertinence dans un but particulier, imposées par la réglementation de l'état ou de la province d'achat, sont limitées à une durée de deux (2) ans à compter de la date d'achat d'origine. Certains états ou provinces ne permettent pas les limitations ayant trait à la durée d'une garantie tacite. La présente garantie vous donne des droits légaux précis et vous pouvez avoir d'autres droits pouvant varier d'un état à l'autre ou d'une province à l'autre.

### **SERVICE**

Pour obtenir du service :

KOBE Range Hoods  
11775 Clark Street  
Arcadia, CA 91006  
U.S.A  
Tél.: (626) 775-8880  
Courriel: [customer.service@KOBERangeHoods.com](mailto:customer.service@KOBERangeHoods.com)  
Site Web: [www.KOBERangeHoods.com](http://www.KOBERangeHoods.com)

## ENREGISTREMENT DU PRODUIT

KOBE ® offre un service de réparation ou de remplacement, (à être déterminé par KOBE ® ou un de ses agents de service autorisés) sans frais pour toutes les pièces ou éléments défectueux dont le mal fonctionnement est dû à un défaut de fabrication à l'intérieur d'un délai de deux ans suivant l'achat original.

Conserver votre preuve d'achat ou la facture originale. Si l'appareil est vendu par l'acheteur original pendant la période de garantie le nouveau propriétaire est protégé jusqu'à l'expiration de la garantie originale de l'acheteur.

Attention : pour obtenir du service sous garantie vous devez avoir une preuve de la date d'achat du produit.

Pour de l'information plus complète quant aux détails de la garantie veuillez vous référer à la dite section de ce manuel.

Cet appareil a été fabriqué, testé, et inspecté selon les normes requises par KOBE ® Range Hoods Inc.

**SVP ENVOYER PAR COURRIER VOTRE CARTE D'ENREGISTREMENT DE GARANTIE AINSI QU'UNE PREUVE D'ACHAT À :**

KOBE Range Hoods  
Warranty Registration  
11775 Clark Street  
Arcadia, CA 91006  
U.S.A.

INFORMATION POUR VOS DOSSIERS:

Modèle : \_\_\_\_\_

No de Série : \_\_\_\_\_

Date d'achat : (JJ) \_\_\_\_ / (MM) \_\_\_\_ / (AAAA) \_\_\_\_

Achat effectué chez :

Nom : \_\_\_\_\_

Adresse : \_\_\_\_\_

Tel : \_\_\_\_\_

**IMPORTANT : TOUJOURS CONSERVER UNE COPIE DE VOTRE PREUVE D'ACHAT OU DE VOTRE FACTURE.**

**KOBE**<sup>®</sup>

KOBE Range Hoods  
11775 Clark Street  
Arcadia, CA 91006

<http://www.KOBERangeHoods.com>

Cette hotte KOBE est fabriquée pour les ÉTATS-UNIS et le CANADA uniquement. Nous ne recommandons pas l'utilisation de cette hotte outremer puisque l'alimentation électrique peut ne pas être compatible et peut enfreindre le code d'électricité de ce pays. **Utiliser une hotte KOBE outremer est à vos propres risques et annulera la garantie.**

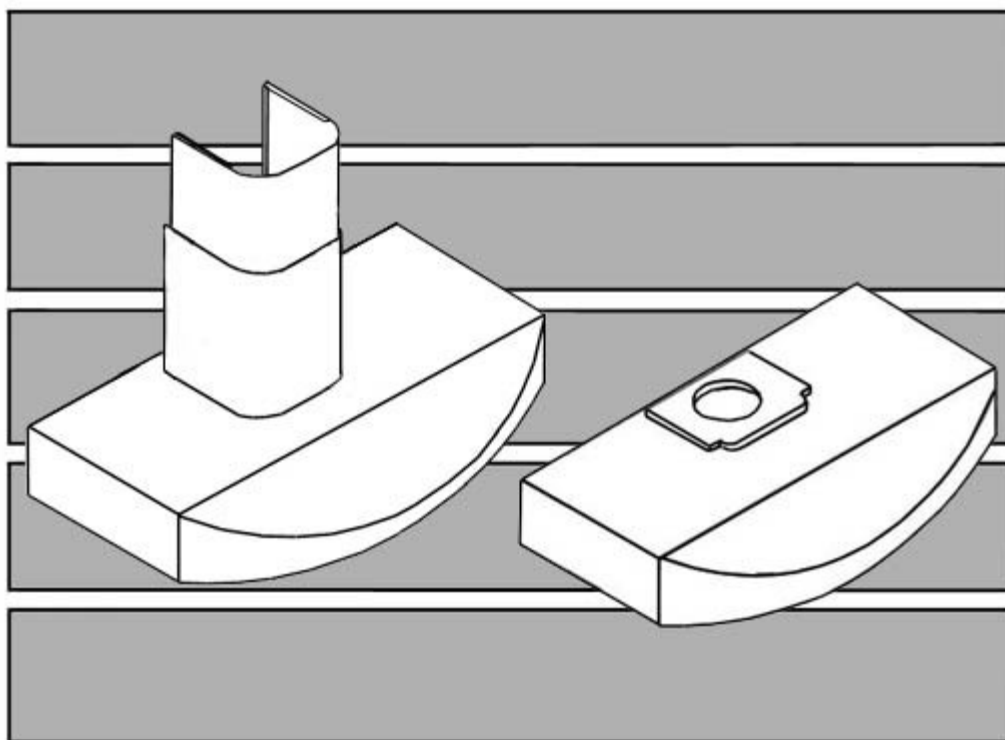
Information subject to change without notice.

VER.091210

# Campana de Extracción KOBE

Modelo No. RA3830SQ  
RA3836SQ

**SERIE RA – 038 - 5" DE ALTURA**



**INSTRUCCIONES DE INSTALACIÓN  
Y MANUAL DE OPERACIÓN**

## - LEA Y CONSERVE ESTAS INSTRUCCIONES -

### ÍNDICE

INSTRUCCIONES IMPORTANTES DE SEGURIDAD.....	54
COMPONENTES DEL PAQUETE.....	56
INSTALACIÓN.....	57
-INSTALACIÓN DEBAJO DE UN GABINETE-.....	58
INSTALACIÓN INDEPENDIENTE .....	61
INSTRUCCIONES DE OPERACIÓN .....	64
MANTENIMIENTO.....	65
ESPECIFICACIONES.....	67
MEDIDAS Y DIAGRAMAS .....	68
LISTADO DE PIEZAS .....	69
DIAGRAMA DE CIRCUITO .....	71
INSTRUCCIONES IMPORTANTES DE SEGURIDAD.....	72
CLÁUSULA DE EXENCIÓN .....	73
GARANTÍA .....	74
REGISTRO DEL PRODUCTO.....	76

## - LEA CUIDADOSAMENTE TODAS LAS INSTRUCCIONES ANTES DE COMENZAR -

TODO EL CABLEADO DEBERÁ REALIZARSE POR UN  
PROFESIONAL Y DE ACUERDO CON TODOS LOS CÓDIGOS  
ELÉCTRICOS NACIONALES Y LOCALES



## INSTRUCCIONES IMPORTANTES DE SEGURIDAD

- POR FAVOR, LEA CUIDADOSAMENTE ESTA SECCIÓN ANTES DE  
INSTALAR -

**⚠ADVERTENCIA:** PARA REDUCIR EL RIESGO DE INCENDIO, ELECTROCUCIÓN  
O LESIÓN PERSONAL, TOME EN CUENTA LO SIGUIENTE:

- 1) La instalación y el cableado eléctrico deberán realizarse por profesionales calificados y de acuerdo con todos los códigos y estándares correspondientes, incluyendo los códigos y normas sobre la construcción para prevenir incendios.
- 2) Al cortar o perforar una pared o techo, tenga cuidado de no dañar el cableado eléctrico u otras instalaciones de servicios ocultas.
- 3) Los ventiladores con conductos deberán tener una ventilación hacia el exterior.
  - a) Antes de darle servicio o limpiar la unidad, abra el panel de la luz y DESCONECTE EL SUMINISTRO ELÉCTRICO EN EL PANEL DE SERVICIO.
  - b) Limpie frecuentemente las superficies saturadas con grasa. Para reducir el riesgo de incendio y para dispersar el aire adecuadamente, asegúrese de ventilar el aire al exterior. NO ventile el aire del escape en espacios cerrados entre paredes, áticos, espacios de acceso debajo de pisos o garajes.

NOTA - Esta garantía no es válida sin un recibo de un agente autorizado o si la unidad se ha dañado debido al maltrato, mala instalación, uso inadecuado, abuso, negligencia o cualquier otra circunstancia que se encuentre fuera del control de los agentes autorizados de KOBE RANGE HOODS. Cualquier reparación que se realice sin la supervisión de los agentes autorizados de KOBE RANGE HOODS anulará la garantía automáticamente.

- KOBE RANGE HOODS no se hará responsable por cualquier daño a la propiedad personal o inmobiliario ni por las lesiones físicas que se hayan causado ya sea directa o indirectamente por la campana de extracción.

**⚠ADVERTENCIA:** PARA REDUCIR EL RIESGO QUE OCURRAN LESIONES  
PERSONALES EN CASO DE UN INCENDIO CAUSADO POR LA  
GRASA ACUMULADA EN LAS HORNILLAS DE LA ESTUFA:

1. Mantenga limpios todos los ventiladores, deflectores/separadores/filtros/conductos de aceite/recipientes para aceite y las superficies saturadas con grasa. No deberá permitirse que la grasa se acumule en el ventilador, deflector/separador/filtro/conducto de aceite/ recipiente para aceite.
2. Siempre ENCIENDA el extractor cuando cocine.
3. Utilice las configuraciones altas en la estufa SOLAMENTE cuando sea necesario.
4. No deje la estufa sin supervisión mientras esté cocinando.
5. Siempre utilice utensilios de cocina adecuados para el tipo y cantidad de alimentos que prepara.
6. Utilice esta unidad únicamente de la manera en que fue diseñada por el fabricante.
7. Antes de darle servicio, desconecte el suministro eléctrico en el panel de servicio y cierre bajo llave el panel de servicio (de ser posible) para prevenir que la unidad se encienda accidentalmente.
8. Limpie el ventilador con frecuencia.



## Qué Hacer en Caso de Un Incendio Causado por la Grasa Acumulada en las Hornillas de la Estufa

- SOFOQUE LAS LLAMAS con una tapadera, una bandeja para hornear galletas o una bandeja de metal que quede bien ajustada y luego apague la hornilla. MANTENGA TODO EL MATERIAL INFLAMABLE O COMBUSTIBLE LEJOS DE LAS LLAMAS. Si las llamas no se apagan inmediatamente, EVACUE EL ÁREA Y LLAME AL DEPARTAMENTO DE BOMBEROS o al 911.
- NUNCA LEVANTE UN SARTÉN QUE SE ESTÉ QUEMANDO – Usted Podría Quemarse.
- NO UTILICE AGUA, incluyendo paños o toallas mojadas - esto resultará en una explosión violenta de vapor.
- Utilice un extinguidor SOLO si:
  - a) Cuenta con un extinguidor Clase A, B, C y sabe cómo utilizarlo.
  - b) El incendio es pequeño y se ha contenido en el área en donde comenzó.
  - c) Ha llamado al departamento de bomberos.
  - d) Puede combatir el incendio con su espalda dirigida hacia una salida.

## Qué Hacer si Siente Olor a Gas

- Apague cualquier llama abierta.
- No intente encender las luces o cualquier otro tipo de aparato.
- Abra todas las puertas y ventanas para dispersar el gas. Si aún así siente olor a gas, llame a la Compañía de Gas y al Departamento de Bomberos inmediatamente.

## **⚠PRECAUCIÓN**

- 1) Solamente para ventilación general. No utilizar para eliminar materiales y vapores peligrosos o explosivos.
- 2) Para reducir el peligro de incendio, utilice solamente una red de conductos metálicos. Necesita aire suficiente para la combustión y eliminación de gases por medio del conducto de ventilación (chimenea) para prevenir la explosión de flujo de aire en retroceso.
- 3) Siga las directrices y estándares de seguridad del fabricante del equipo de calefacción, tales como aquellos publicados por la Asociación de Protección contra Incendios (National Fire Protection Association – NFPA) y la Sociedad Americana de Ingenieros en Calefacción, Refrigeración y Aire Acondicionado (American Society for Heating, Refrigeration and Air Conditioning Engineers – ASHRAE) y las autoridades normativas.
- 4) Activar cualquier interruptor podría causar una explosión o ignición.
- 5) Debido al tamaño y peso de esta campana de extracción, se recomienda que la instalación sea realizada por dos personas.

### **⚠ ADVERTENCIA**



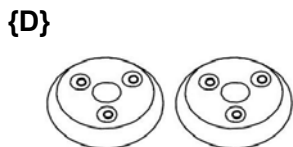
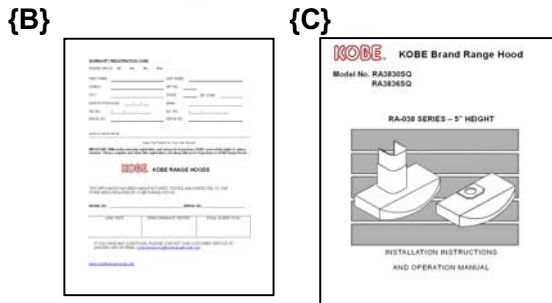
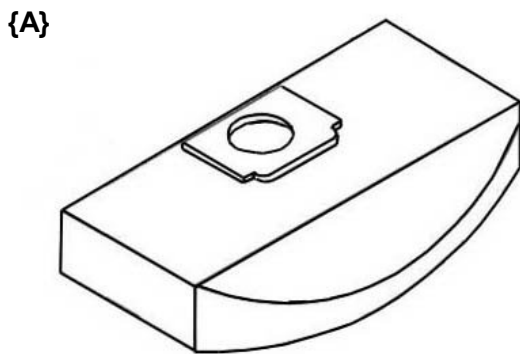
**RIESGO DE ELECTROCUCIÓN – Puede resultar en lesiones serias o la muerte. Desconecte el aparato del suministro eléctrico antes de darle servicio. Si estuviera equipado con éste, el foco fluorescente debido a que contiene pequeñas cantidades de mercurio, deberá reciclarse o desecharse según los Códigos Locales, Estatales y Federales.**

## COMPONENTES DEL PAQUETE

(Debe conservar todo el material en caso de devolverlo o solicitar un reembolso)

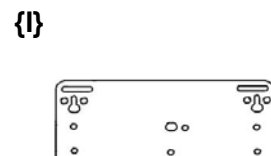
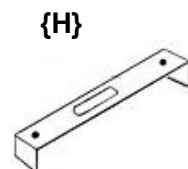
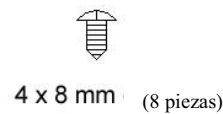
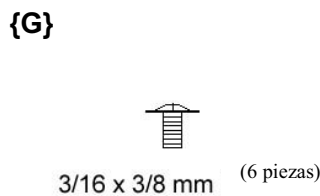
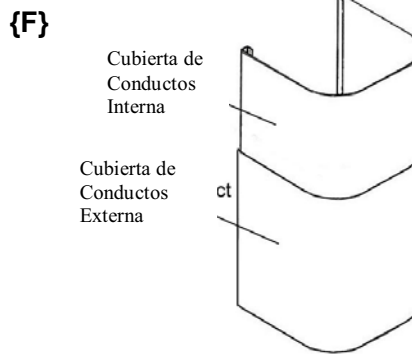
### Caja de Campana de Extracción

- {A} Campana de Extracción KOBE
- {B} Tarjeta de Registro para Garantía
- {C} Manual de Instrucciones
- {D} Recipientes para Aceite (Redondos)
- {E} Recipientes para Aceite (Ovalados)



### Caja de la Cubierta de Conductos (Vendida por Separado)

- {F} Cubierta de Conductos KOBE (Modelo No. RA1020DC)
- {G} Paquete de Tornillos
- {H} Soporte de Montaje para la Cubierta de Conductos
- {I} Soporte de Montaje de la Campana



♦ PARA OBTENER MÁS INFORMACIÓN, POR FAVOR VISITE NUESTRO SITIO DE INTERNET [WWW.KOBERangeHoods.COM](http://WWW.KOBERangeHoods.COM) O CONTACTE A KOBE RANGE HOODS AL (626) 775-8880.

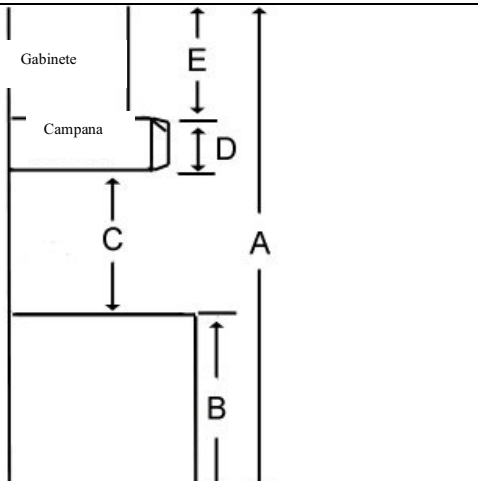
# INSTALACIÓN

POR FAVOR, LEA LAS INSTRUCCIONES COMPLETAMENTE ANTES DE CONTINUAR

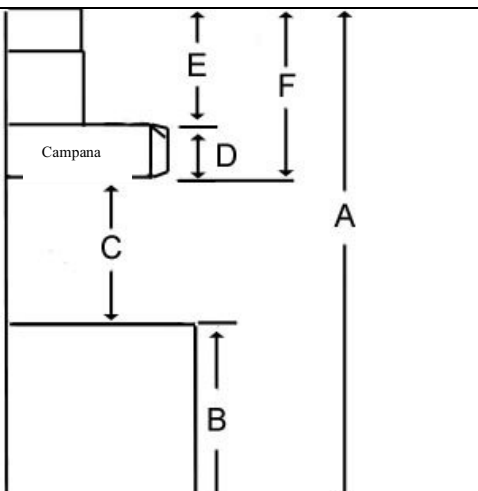
## Cálculo antes de la Instalación

Para realizar el cálculo para la instalación, por favor consulte la TABLA 1. (Todos los cálculos están hechos en pulgadas).

### -PARA INSTALACIÓN DEBAJO DE UN GABINETE-

<p><b>TABLA 1</b></p> <p>A = Altura del Piso al Techo          B = Altura del Piso a la Superficie del Mostrador (Estándar: 36")  <b>C = Altura Preferida de la Superficie del Mostrador a Parte Inferior de la Campana (Se recomienda de 27" a 30")</b>          D = Altura de la Campana          E = Altura del Gabinete</p>	
-------------------------------------------------------------------------------------------------------------------------------------------------------------------------------------------------------------------------------------------------------------------------------------------------------------------------------------------------	-------------------------------------------------------------------------------------

### - PARA INSTALACIÓN INDEPENDIENTE (CON CUBIERTA DE CONDUCTOS OPCIONAL)-

<p><b>TABLA 2</b></p> <p>A = Altura del Piso al Techo          B = Altura del Piso a la Superficie del Mostrador (Estándar: 36")  <b>C = Altura Preferida de la Superficie del Mostrador a Parte Inferior de la Campana (Se recomienda de 27" a 30")</b>          D = Altura de la Campana          E = Altura de la Cubierta de Conductos [F-D]          F = Altura de la Instalación de la Campana [A - (B+C)]</p>	
------------------------------------------------------------------------------------------------------------------------------------------------------------------------------------------------------------------------------------------------------------------------------------------------------------------------------------------------------------------------------------------------------------------------------------------	--------------------------------------------------------------------------------------

## -INSTALACIÓN DEBAJO DE UN GABINETE-

### **⚠ADVERTENCIA DE SEGURIDAD**

LA CAMPANA PODRÍA TENER EXTREMOS SUMAMENTE FILOSOS; FAVOR DE UTILIZAR GUANTES PROTECTORES SI VA A RETIRAR CUALQUIER PIEZA PARA INSTALAR, LIMPIAR O DARLE SERVICIO.

**NOTA:** TENGA MUCHO CUIDADO AL UTILIZAR UN DESTORNILLADOR ELÉCTRICO; PODRÍA CAUSAR DAÑOS A LA CAMPANA.

### Preparación antes de la Instalación

**NOTA:** PARA EVITAR CAUSAR DAÑOS A SU CAMPANA, EVITE QUE DESECHOS PENETREN EN LA RENDIJA DE VENTILACIÓN

- Decida la ubicación para colocar el conducto de ventilación de la campana hacia el exterior. Consulte la Figura 1.
- Antes de instalar, conecte temporalmente la campana para verificar que funcione adecuadamente.
- Retire la película protectora de la campana (si hubiera alguna).
- Para instalar debajo de un gabinete con la parte inferior empotrada, coloque tiras de relleno de madera de 4 pulgadas de ancho (no incluidas) en cada uno de los lados. Consulte la Figura 2.
- Mida y cree un orificio de acceso para los cables eléctricos debajo del gabinete.

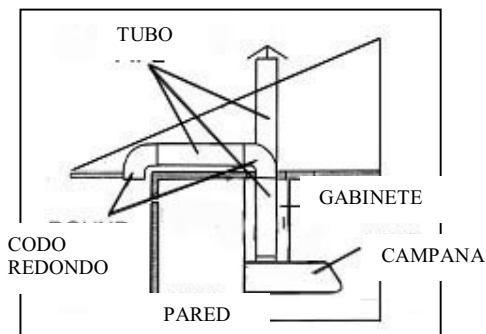


Figura 1

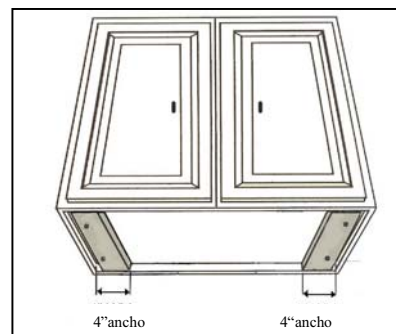


Figura 2

### Instalación de la Campana

**PRECAUCIÓN:** Si es necesario mover la estufa para poder instalar la campana, desconecte el suministro eléctrico de la estufa eléctrica desde la caja eléctrica principal. **CIERRE EL GAS ANTES DE MOVER UNA ESTUFA DE GAS.**

1. Abra los agujeros preperforados. Consulte la Figura 3.



Figura 3

2. NOTA: Tenga mucho cuidado al utilizar un destornillador eléctrico, podría causar daños a la campana. Destornille los seis tornillos ubicados en la carcasa inferior. Retire la carcasa inferior según se muestra en la Figura 4. De ser necesario, coloque el cable eléctrico a través del agujero de 1" de diámetro de la campana.
3. Utilizando las referencias indicadas en la Tabla 1 y las medidas de la página 68, centre la campana debajo del gabinete y nivele al ras con la parte frontal del gabinete. Consulte la Figura 5.



Figura 4



Figura 5

4. Pase los cables eléctricos a través del orificio de acceso del gabinete.
5. Coloque los tornillos (no proporcionados) exactamente en el centro de cada agujero. Asegúrese que todos los tornillos se encuentren en el lugar indicado antes de apretarlos.  
**PRECAUCIÓN: ASEGÚRESE QUE LA CAMPANA ESTE BIEN SUJETA ANTES DE SOLTARLA.**

#### Instalación de la Red de Conductos

6. Utilice un tubo de acero o aluminio para conectar el escape plástico que se encuentra en la campana, a la red de conductos arriba. Utilice cinta de aislar (duct tape) para que todas las uniones queden fijas y herméticas.

#### Cableado Hacia la Fuente de Alimentación

7. Conecte los cables eléctricos.
  - Si necesitara ocultar las conexiones del cableado eléctrico, empuje los cables hacia dentro de la campana. Accese las conexiones de cables que se encuentran debajo de la campana quitando la carcasa inferior de los seis tornillos. Antes de volver a colocar la carcasa inferior, asegúrese que los cables no se resbalen entre el motor, impulsor o cualquier pieza que se mueva para prevenir que se dañen.

## **! ADVERTENCIA DE SEGURIDAD**

**RIESGO DE ELECTROCUCIÓN. ESTA CAMPANA DE EXTRACCIÓN DEBERÁ TENER UNA CONEXIÓN A TIERRA ADECUADA. ASEGÚRESE QUE ESTO SE REALICE POR UN ELECTRICISTA ESPECIALIZADO Y DE ACUERDO CON TODOS LOS CÓDIGOS ELÉCTRICOS NACIONALES Y LOCALES CORRESPONDIENTES. ANTES DE CONECTAR LOS CABLES, DESCONECTE EL SUMINISTRO ELÉCTRICO EN EL PANEL DE SERVICIO Y CIERRE BAJO LLAVE EL PANEL PARA PREVENIR QUE LA UNIDAD SE ENCIENDA ACCIDENTALMENTE.**

- Conecte tres cables (negro, blanco y verde) con los cables de la casa y tape con conectores de cables.
- Conéctelos según su color. negro con negro, blanco con blanco y verde con verde.
- Verifique el funcionamiento de la campana antes de seguir con el siguiente paso. Asegúrese que la energía llegue a la campana.

### Instalación de Accesorios

8. Coloque el recipiente para aceite (redondo) en las ranuras debajo de cada pantalla de seguridad. Voltee en la dirección de las agujas del reloj hasta que esté completamente en su lugar. Consulte la Figura 6.
9. Deslice el recipiente para aceite (ovalado) en la ranura plástica detrás de cada pantalla de seguridad. Consulte la Figura 7.



Figura 6



Figura 7

### Ensamblaje Final

10. Encienda la unidad en el panel de control. Verifique el funcionamiento de la lámpara y el ventilador.
11. Asegúrese de dejar este manual con el propietario de la vivienda.

## INSTALACIÓN INDEPENDIENTE

\*\*\*Este tipo de instalación aplica solamente al haber comprado una cubierta de conductos.

### **⚠ADVERTENCIA DE SEGURIDAD**

**LA CAMPANA PODRÍA TENER EXTREMOS SUMAMENTE FILOSOS; FAVOR DE UTILIZAR GANTES PROTECTORES SI VA A RETIRAR CUALQUIER PIEZA PARA INSTALAR, LIMPIAR O DARLE SERVICIO.**

**NOTA: TENGA MUCHO CUIDADO AL UTILIZAR UN DESTORNILLADOR ELÉCTRICO; PODRÍA CAUSAR DAÑOS A LA CAMPANA.**

#### Preparación antes de la Instalación

NOTA: PARA EVITAR CAUSAR DAÑOS A SU CAMPANA, EVITE QUE DESECHOS PENETREN EN LA RENDIJA DE VENTILACIÓN

- Decida las ubicaciones y las redes de conductos. Consulte la Figura 8.
- Decida la ubicación para colocar el conducto de ventilación de la campana hacia el exterior.
- Un ducto de escape recto y corto permitirá que la campana trabaje con más eficiencia.
- Intente evitar tantas conexiones, codos y ductos largos como sea posible. Esto podría reducir el rendimiento de la campana.
- Utilice cinta de aislar (duct tape) para sellar las uniones entre las secciones de los conductos.
- De ser necesario, prepare la estructura de la pared posterior utilizando entramado para lograr una instalación segura. Utilizando las referencias indicadas en la Tabla 2 y las medidas de la página 68, decida el nivel para la madera. Consulte la Figura 9.

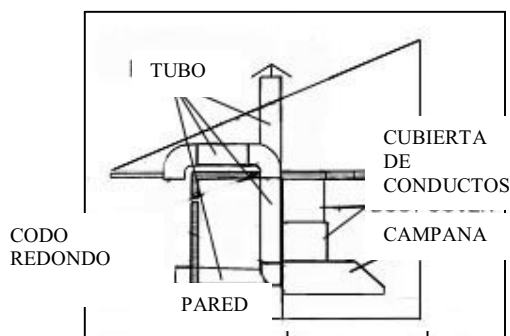


Figura 8

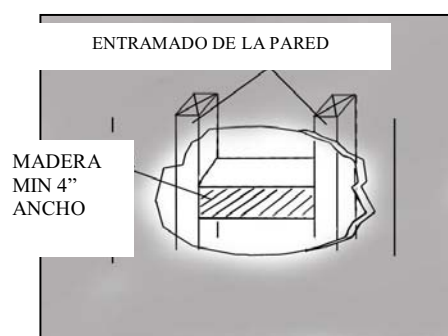


Figura 9

#### Preparación de la Campana antes de la Instalación

- Antes de instalar, conecte temporalmente la campana para verificar que funcione adecuadamente.
- Retire la película protectora de la campana y cubiertas de conductos (si hubiera alguna).
- Coloque el soporte para el montaje de la campana en la parte posterior de la campana utilizando tornillos (3/16" x 3/8") (proporcionados) según se muestra en la Figura 10.

#### Instalación de la Campana

**PRECAUCIÓN:** Si es necesario mover la estufa para poder instalar la campana, desconecte el suministro eléctrico de la estufa eléctrica desde la caja eléctrica principal. **CIERRE EL GAS ANTES DE MOVER UNA ESTUFA DE GAS.**

1. De ser necesario, coloque dos bases de goma (proporcionadas) utilizando dos tornillos (4 x 8 mm) (proporcionados), en la parte posterior de la campana.
2. Utilizando las referencias indicadas en la Tabla 2 y las medidas de la página 6, decida el punto de nivelación de la campana. Coloque dos tornillos de montaje (no proporcionados) en la pared, dejando un espacio de 1/8" en la pared como se muestra en la Figura 11.
3. Alinee el soporte de montaje de la campana con los dos tornillos en la pared y engánchela en su lugar. Apriete los tornillos para fijar la campana en la pared. **PRECAUCIÓN: ASEGÚRESE QUE LA CAMPANA ESTE BIEN SUJETA ANTES DE SOLTARLA.**

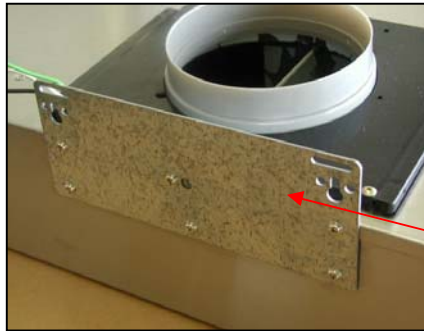


Figura 10

Soporte de  
Montaje de la  
Campana

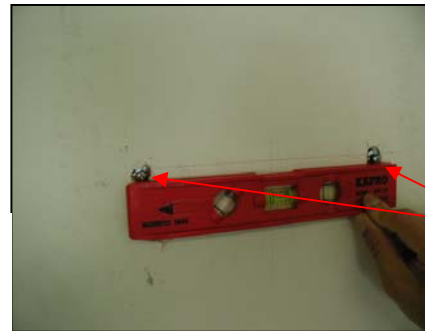


Figura 11

Tornillos de  
Montaje

### Instalación de la Cubierta de Conductos

4. Marque la posición para el soporte de montaje de la cubierta de conductos. Utilice el cálculo **E** de la Tabla 2 como referencia. Coloque y fije el soporte de montaje de la cubierta de conductos utilizando dos tornillos (no proporcionados). Consulte la Figura 12. **NOTA:** La cubierta de conductos interna cubrirá el soporte de montaje de la cubierta de conductos.
5. Conecte los cables eléctricos. Consulte "Cableado Hacia la Fuente de Alimentación". Si necesitara ocultar las conexiones del cableado eléctrico, empuje los cables hacia dentro de la campana. Accese las conexiones de cables que se encuentran debajo de la campana quitando la carcasa inferior de los seis tornillos. Antes de volver a colocar la carcasa inferior, asegúrese que los cables no se resbalen entre el motor, impulsor o cualquier pieza que se mueva para prevenir que se dañen.
6. Utilice un tubo de acero o aluminio para conectar la abertura del escape que se encuentra en la campana, a la red de conductos arriba. Utilice cinta de aislar (duct tape) para que todas las uniones queden fijas y herméticas.
7. Deslice la cubierta de conductos interna a 2 pulgadas antes de deslizar la cubierta de conductos completa en la campana. Consulte la Figura 13.



Figura 12



Figura 13

8. Ajuste la altura de la cubierta de conductos interna con el soporte de montaje de la cubierta de conductos. Fije la cubierta de conductos interna utilizando dos tornillos (4x8 mm) (proporcionados), como se muestra en la Figura 14.



9. Fije la cubierta de conductos externa en la placa plástica ubicada en la campana utilizando cuatro tornillos (4x8 mm) (proporcionados).



Fíjelos Juntos

Figura 14

#### Cableado Hacia la Fuente de Alimentación

### **⚠️ ADVERTENCIA DE SEGURIDAD**

RIESGO DE ELECTROCUCIÓN. ESTA CAMPANA DE EXTRACCIÓN DEBERÁ TENER UNA CONEXIÓN A TIERRA ADECUADA. ASEGÚRESE QUE ESTO SE REALICE POR UN ELECTRICISTA ESPECIALIZADO Y DE ACUERDO CON TODOS LOS CÓDIGOS ELÉCTRICOS NACIONALES Y LOCALES CORRESPONDIENTES. ANTES DE CONECTAR LOS CABLES, DESCONECTE EL SUMINISTRO ELÉCTRICO EN EL PANEL DE SERVICIO Y CIERRE BAJO LLAVE EL PANEL PARA PREVENIR QUE LA UNIDAD SE ENCIENDA ACCIDENTALMENTE.

- Conecte tres cables (negro, blanco y verde) con los cables de la casa y tape con conectores de cables.
- Conéctelos según su color. negro con negro, blanco con blanco y verde con verde.
- Verifique el funcionamiento de la campana antes de seguir con el siguiente paso. Asegúrese que la energía llegue a la campana.

#### Instalación de Accesorios

10. Coloque el recipiente para aceite (redondo) en las ranuras debajo de cada pantalla de seguridad. Voltee en la dirección de las agujas del reloj hasta que esté completamente en su lugar. Consulte la Figura 15.
11. Deslice el recipiente para aceite (ovalado) en la ranura plástica detrás de cada pantalla de seguridad. Consulte la Figura 16.



Figura 15



Figura 16

#### Ensamblaje Final

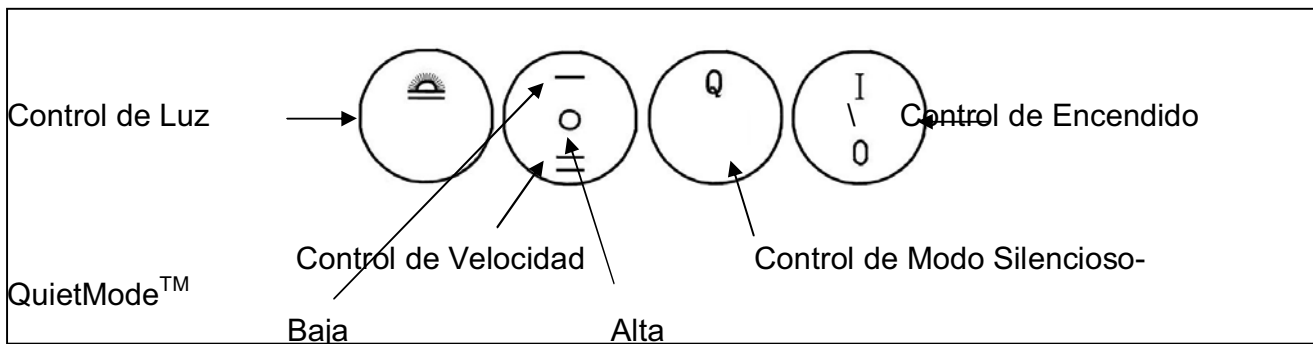
12. Encienda la unidad en el panel de control. Verifique el funcionamiento de la lámpara y el ventilador.
13. Asegúrese de dejar este manual con el propietario de la vivienda.

## INSTRUCCIONES DE OPERACIÓN

Esta campana de extracción KOBE está equipada con cuatro interruptores de control, dos poderosos impulsores de turbina centrífuga con pantallas de seguridad, dos focos brillantes de halógeno de 12-voltios/20vatios y cuatro recipientes para aceite.

Los cuatro interruptores de control son: Control de Luz, Control de Velocidad, Control de Modo Silencioso-QuietMode™ y el Control de Encendido/Apagado. Consulte la Figura 17.

Figura 17



### Encendido:

Oprima el interruptor de Control Encendido/Apagado para encender la unidad.

Oprima el Control de Velocidad (Baja, Apagado, Alta) o Modo Silencioso-QuietMode™, para elegir la velocidad deseada. Media vez haya encendido la unidad, también se encenderán los interruptores previamente seleccionados.

Oprima el Control del Modo Silencioso-QuietMode™ para encender el Modo Silencioso QuietMode™. El Control de Velocidad se desactivará automáticamente cuando se encienda el Modo Silencioso-QuietMode™.

Oprima el Control de Luz para encender la lámpara de halógeno.

### Apagado:

Oprima el interruptor de Control Encendido/Apagado para apagar la unidad. Nota: El interruptor de Control Encendido/Apagado es el control principal de la energía.

Al desactivar el Modo Silencioso-QuietMode™, la velocidad volverá a su Control de Velocidad anterior.

## MANTENIMIENTO

### **⚠️ ADVERTENCIA DE SEGURIDAD**

**NUNCA COLOQUE SUS MANOS DENTRO DE LA CAJA DEL VENTILADOR MIENTRAS ÉSTE SE ENCUENTRE FUNCIONADO.**

#### Limpieza de la Superficie de la Campana

**⚠️ PRECAUCIÓN:** NUNCA UTILICE LIMPIADORES, ALMOHADILLAS O PAÑOS ABRASIVOS. NO UTILICE TOALLAS DE PAPEL SOBRE EL ACERO INOXIDABLE.

Para un funcionamiento óptimo, limpie la campana de extracción y todos los deflectores/separadores/filtros/conductos de aceite/recipientes para aceite con regularidad.

\*\*\*El cuidado regular ayudará a preservar la apariencia de la campana.

1. Utilice solamente jabón o soluciones detergentes suaves. Seque las superficies utilizando un paño suave.
2. Si la campana se ve manchada (campana de acero inoxidable), utilice un limpiador para acero inoxidable para limpiar la superficie de la campana. Evite que la solución de limpieza caiga sobre o en el panel de control. Siga las instrucciones del limpiador de acero inoxidable. **Precaución:** No lo deje por mucho tiempo pues podría dañar el acabado de la campana. Utilice una toalla suave para limpiar la solución de limpieza y frote cuidadosamente cualquier área difícil de limpiar. Utilice una toalla suave y seca para secar la campana.
3. NO permita que depósitos se acumulen o permanezcan sobre la campana.
4. NO utilice lana de acero o cepillos de acero ordinarios. Pequeños pedazos de acero podrían adherirse a la superficie y causar óxido.
5. NO permita que soluciones de sal, desinfectantes, blanqueadores o compuestos de limpieza permanezcan en contacto con el acero inoxidable por periodos de tiempo prolongados. Muchos de estos compuestos contienen químicos, que podrían ser perjudiciales. Enjuague con agua después del contacto y seque con un paño limpio libre de pelusas.

#### Para limpiar los Recipientes para Aceite, Pantallas de Seguridad e Impulsores

**PRECAUCIÓN: DRENE EL RECIPIENTE PARA ACEITE ANTES QUE EL ACEITE SE DERRAME.**

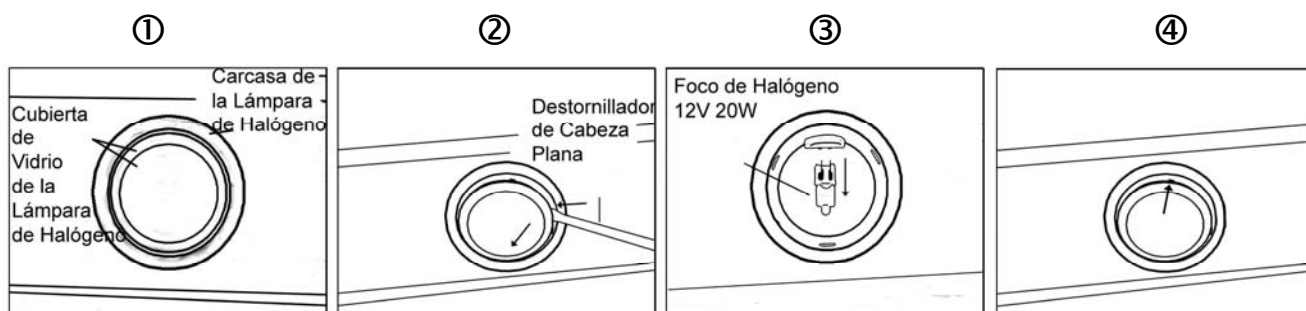
- 1) Limpieza Normal
  - Encienda la velocidad alta y rocíe el ventilador con un desgrasante suave. Residuo líquido se acumulará en los recipientes para aceite.
- 2) Limpiando los Recipientes para Aceite
  - Remueva el recipiente para aceite (redondo) girándolo en la dirección en contra de las agujas del reloj para limpiarlo.
  - Remueva el recipiente para aceite (ovalado) deslizándolo hacia delante para limpiarlo.
  - Lave con agua tibia jabonosa. Séquelos completamente antes de volverlos a colocar en su lugar.
  - Pueden lavarse en el tramo superior del lavaplatos automático.
- 3) Limpiando las Pantallas de Seguridad
  - Remueva el tornillo de la pantalla de seguridad y deslícela para sacarla.

- Lave con agua tibia jabonosa. Séquela completamente antes de volverla a colocar en su lugar.
- Puede lavarse en el tramo superior del lavaplatos automático.

### Para Reemplazar el Foco

**PRECAUCIÓN:** ¡LA UNIDAD DE LA LÁMPARA DE HALÓGENO PODRÍA ESTAR CALIENTE!  
**ESPERE HASTA QUE SE ENFRÍE**

**NOTA: NO TOQUE LA LÁMPARA DE HALÓGENO CON LAS MANOS DESPROTEGIDAS, PUES PODRÍA CAUSAR SOBRECALENTAMIENTO Y REDUCIR EL TIEMPO DE VIDA DE LOS FOCOS.**



1. Asegúrese que todos los controles se encuentren APAGADOS y que la campana de extracción se encuentre desconectada.
2. Coloque el destornillador de cabeza plana en la ranura localizada entre la cubierta de vidrio de los focos de halógeno y la carcasa ①.
3. Retire cuidadosamente la cubierta de vidrio de la carcasa ②.
4. Hale suavemente el foco inservible ③ y deséchelo. Los focos deberán ser de 12V 20W como máximo.
5. Utilice un guante o un paño para sujetar el nuevo foco y empújelo para colocarlo en el receptáculo para focos. **NOTA: NO LO EMPUJE DEMASIADO FUERTE PUES PODRÍA QUEBRAR EL CONECTOR PARA FOCO.**
6. Coloque nuevamente la cubierta de vidrio de los focos de halógeno ④.
7. Enchufe nuevamente el cable de corriente y encienda la campana de extracción para verificar su funcionamiento.

## ESPECIFICACIONES

MODELO / TAMAÑO	RA3830SQ / 30" RA3836SQ / 36"		
COLOR	Acero Inoxidable de Clasificación Comercial # 430		
VOLTAJE	120V 60Hz		
CONSUMO / AMPERIOS	198W / 1.71A		
NUMERO DE MOTORES	2		
DISEÑO	Liso Calibre 18		
TIPO DE VENTILADOR	Impulsor de Turbina Doble		
EXTRACTOR	Circular de 6"		
CONTROLES	Tres Velocidades (QuietMode™, Baja y Alta)		
FOCOS DE HALÓGENO	12V 20W x 2		
DIMENSIONES DE LA CAMPANA (ANCHO X PROFUNDIDAD X ALTO)	(RA3830SQ) 29-3/4" x 20-1/2" x 5-1/8" (RA3836SQ) 35-1/4" x 20-1/2" x 5-1/8"		
ACCESORIOS OPCIONALES (ANCHO X PROFUNDIDAD X ALTO)	1) Cubierta de Conductos Ajustable de Dos Piezas (RA1020DC) 10-5/8" x 9-1/8" x (20-5/8" ~ 39-5/8") 2) Panel Posterior de Acero inoxidable de 30" (SSP30) 30" x 1/10" x 32" 3) Panel Posterior de Acero inoxidable de 36" (SSP36) 36" x 1/10" x 32"		
PESO (lbs)		<u>Neto</u>	<u>Bruto</u>
	(RA3830SQ)	37.0	43.0
	(RA3836SQ)	39.0	47.0
VELOCIDAD	QuietMode™	Baja	Alta
Capacidad de Aire (cfm)	330	480	720
Sonio*	1.2*	3.0	4.8

\*Un Sonio equivale al sonido de un refrigerador a 40 decibeles.

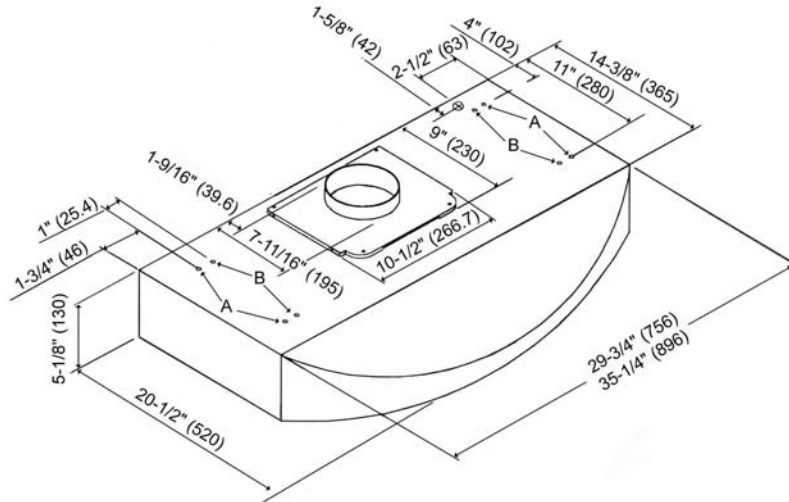
\*\*La información sobre las especificaciones está sujeta a cambio sin previo aviso.

## MEDIDAS Y DIAGRAMAS

\*\*\*Todas las medidas en pulgadas han sido convertidas de milímetros. Las medidas en pulgadas son medidas aproximadas.

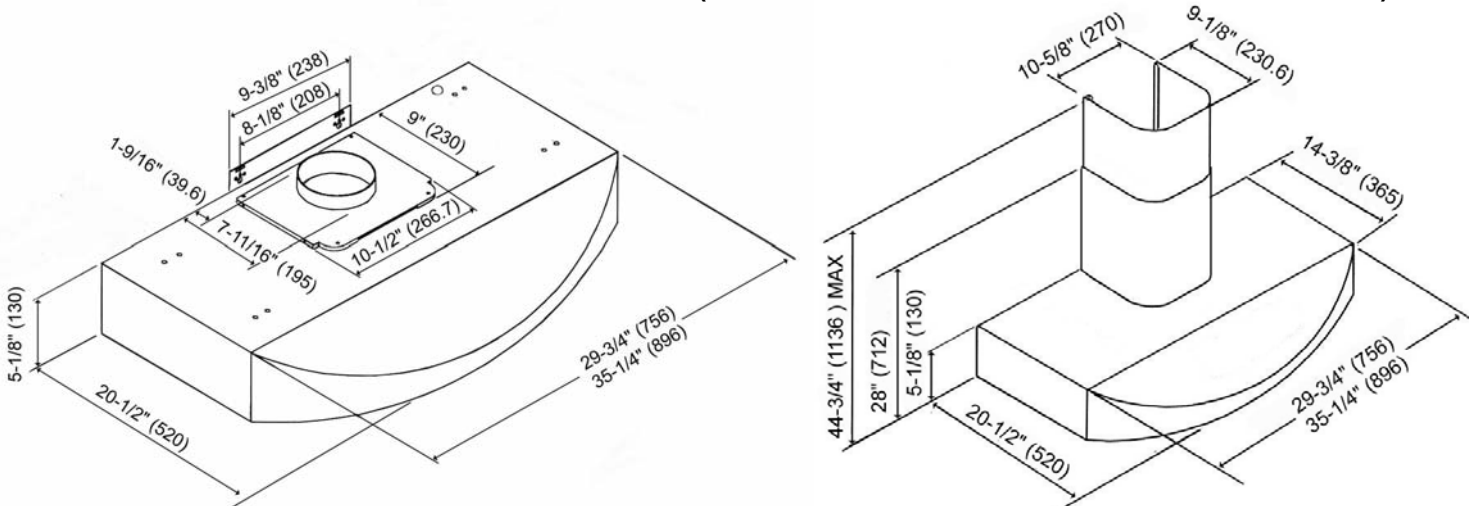
\*\*\*Todas las medidas en ( ) están en milímetros.

### -PARA INSTALACIÓN DEBAJO DE UN GABINETE-



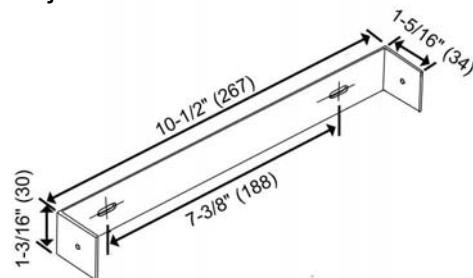
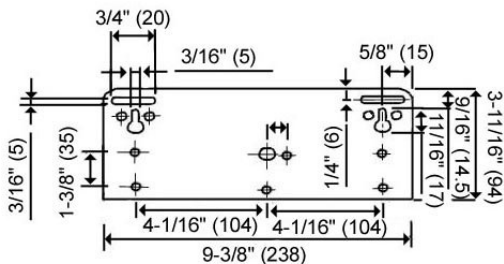
30" = Agujeros preperforados "A"  
36" = Agujeros preperforados "A" y "B"

### - PARA INSTALACIÓN INDEPENDIENTE (CON CUBIERTA DE CONDUCTOS OPCIONAL)-



Soporte de Montaje de la Campana

Soporte de Montaje de la Cubierta de Conductos



# LISTADO DE PIEZAS

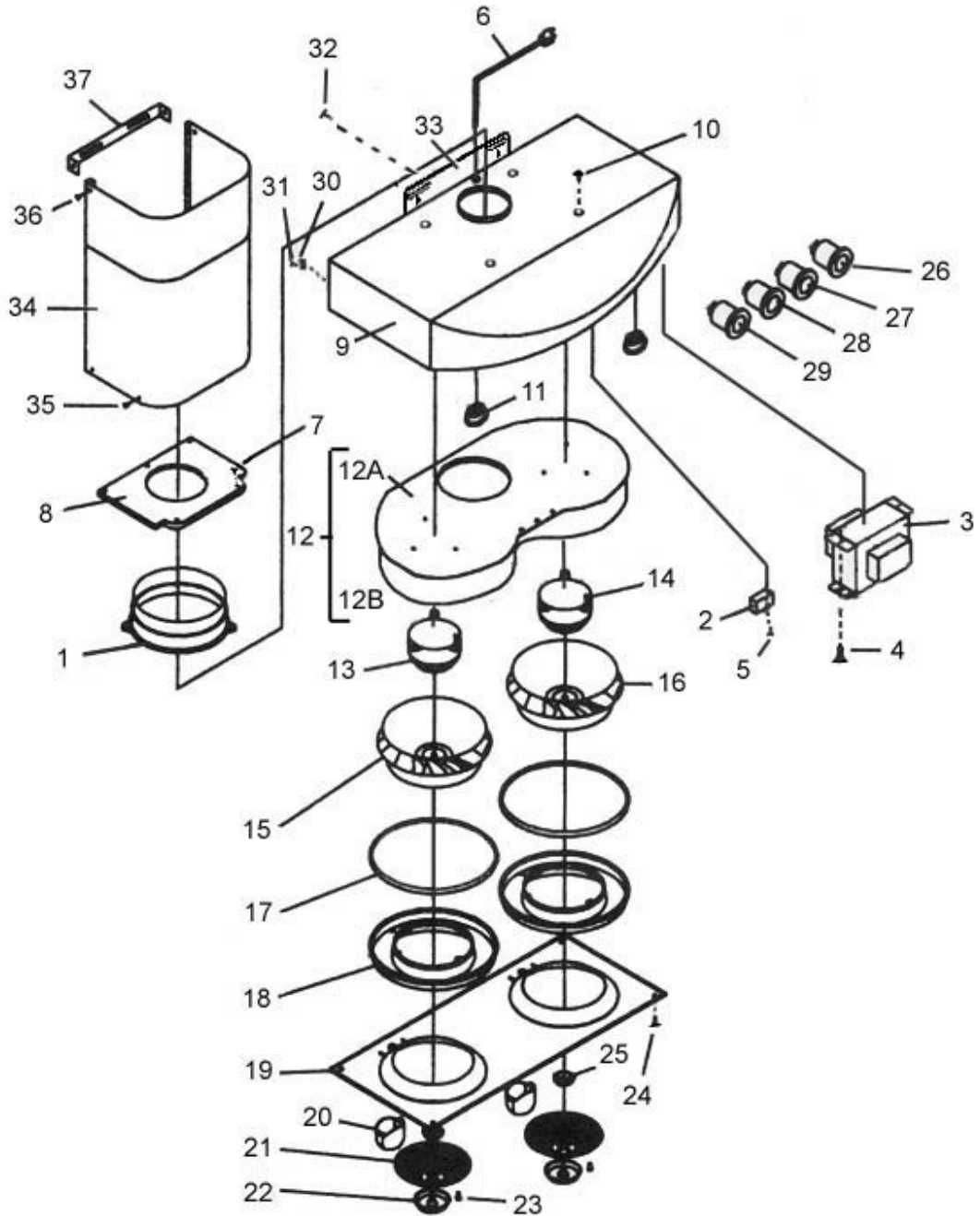
MODELO NO.: RA3830SQ  
RA3836SQ

NO.	DESCRIPCIÓN	MODELO / TAMAÑO	PIEZA NO.
1	Escape Circular Plástico de 6"		C1-0505-0001
2	Condensador		C1-0401-0120-01A
3	Transformador (Luz)		C1-0402-0120-40
4	Tornillo (4 X 6 mm)		C1-0708-0001
5	Tornillo (4 X 6 mm)		C1-0708-0001
6	Cordón Eléctrico		C1-0406-0120
7	Tornillo (TS 4 X 18 mm)		C1-0708-0004
8	Placa Plástica		C1-0507-0201
9	Carcasa de la Campana	RA3830SQ	10-03300
		RA3836SQ	10-03360
10	Tornillo (3/16" X 5/8")		C1-0704-0004
11	Foco de Halógeno (12V 20W Max)		C1-0403-0101
12	Cámara de Aire		
A	Cámara de Aire (Superior)	RA3830SQ	C1-0101-0382
		RA3836SQ	
B	Cámara de Aire (Lateral)	RA3830SQ	C1-0102-0382
		RA3836SQ	
13	Motor (Izquierdo)		C1-0301-0120-13A
14	Motor (Derecho)		C1-0301-0120-14A
15	Impulsor de Turbina (Izquierdo)		C1-0251-0092-01
16	Impulsor de Turbina (Derecho)		C1-0251-0092-02
17	Sello del Conducto de Aceite.		C1-0502-0301
18	Conducto de Aceite.		C1-0502-0203
19	Carcasa Inferior	RA3830SQ	B101-0330-09
		RA3836SQ	B101-0392-09
20	Recipiente para Aceite (Ovalado)		C1-0504-0101
21	Pantalla de Seguridad		C1-0602-0101
22	Recipiente para Aceite (Redondo)		C1-0503-0101
23	Tornillo de la Pantalla de Seguridad		C1-0705-0001
24	Tornillo (3/16" X 5/8")		C1-0704-0004
25	Cubierta Plástica del Impulsor		C1-0251-0001
26	Interruptor de Encendido/Apagado		C1-0405-0211
27	Interruptor de Modo Silencioso - QuietMode™		C1-0405-0214
28	Interruptor de Velocidad		C1-0405-0212
29	Interruptor de Luz		C1-0405-0213
30	Base de Goma		C1-0511-0211
31	Tornillo (TS 4 X 8 mm)		C1-0708-0006

### (Cubierta de Conductos Opcional)

NO.	DESCRIPCIÓN	MODELO / TAMAÑO	PIEZA NO.
32	Tornillo (3/16" X 3/8")		C1-0707-0001
33	Soporte de Montaje de la Campana		C1-0221-0330
34	Cubierta de Conductos	RA1020DC	12-02000-430
35	Tornillo de Cabeza Redonda (TS 4 X 8 mm)		C1-0708-0006
36	Tornillo de Cabeza Redonda (TS 4 X 8 mm)		C1-0708-0006
37	Soporte de Montaje para la Cubierta de Conductos		C1-0203-0002

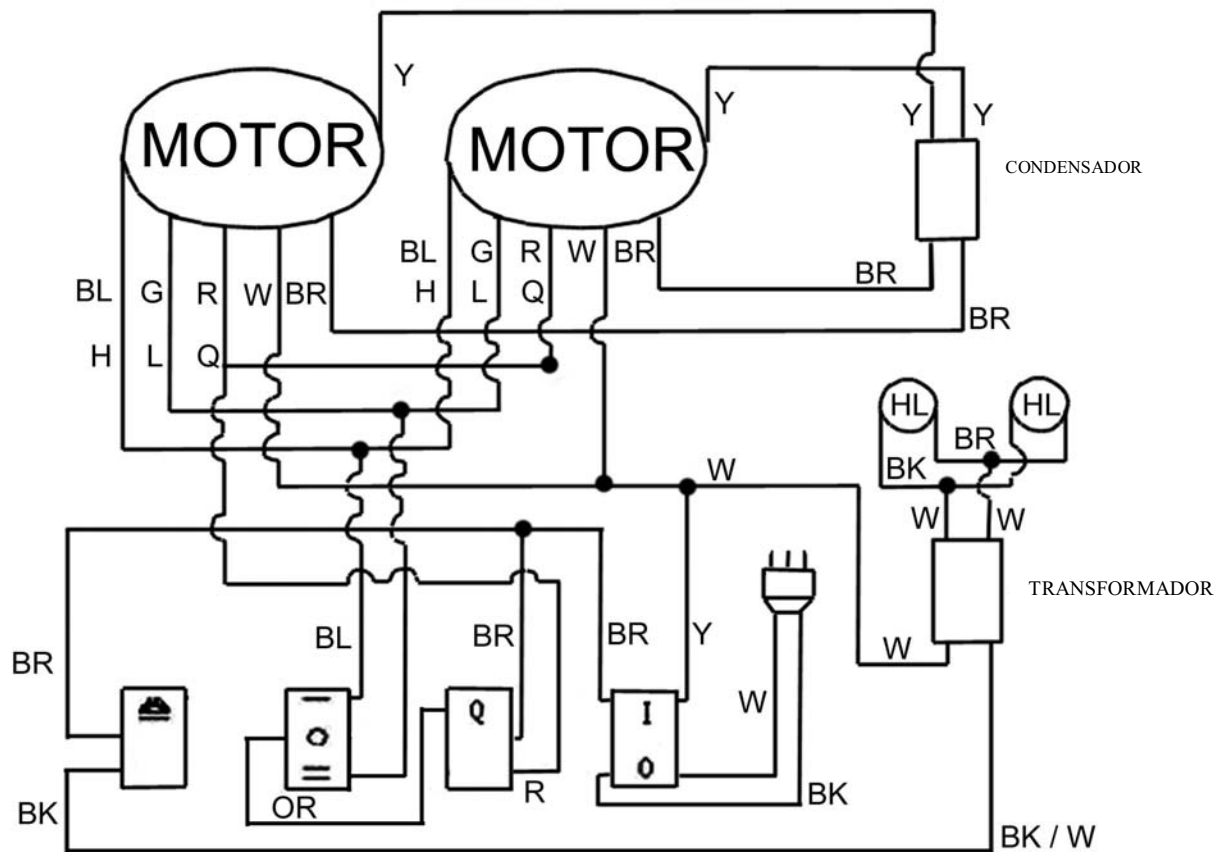
MODELO NO. RA3830SQ  
RA3836SQ





## DIAGRAMA DE CIRCUITO

MODELO No. RA3830SQ  
RA3836SQ



CLAVE

BL = Azul  
BK = Negro  
BR = Café  
R = Rojo  
W = Blanco  
G = Verde  
Y = Amarillo  
OR = Naranja  
H = Alta  
L = Baja  
Q = QuietMode™  
HL = Foco de Halógeno

## INSTRUCCIONES IMPORTANTES DE SEGURIDAD

Problema	Posible Causa	Solución
Después de la Instalación, ninguno de los motores ni las luces están funcionando.	No está encendido.	Asegúrese que el interruptor de circuitos y la unidad se encuentren encendidos. Utilice un medidor de voltaje para verificar la energía de entrada.
	La conexión de cables no está bien sujeta.	Verifique y ajuste la conexión de cables.
	El cableado del panel de control y la placa de procesador está desconectado.	Verifique la continuidad del cable desde el panel de control hasta la placa de procesador.
	El transformador del motor está defectuoso.	Verifique la entrada y salida de la corriente el transformador del motor. De ser necesario, reemplace el transformador del motor.
	El panel de control y la placa de procesador están defectuosos.	Reemplace el panel de control o la placa de procesador.
Las luces están funcionando pero el(los) motor(es) no.	El/los motor(es) está(n) defectuoso(s).	Reemplace el motor.
	El/los condensador(es) está(n) defectuoso(s).	Reemplace el(los) condensador(es).
	El panel de control o la placa de procesador están defectuosos.	Reemplace el panel de control o la placa de procesador.
La campana de extracción está vibrando.	El sistema de ventilador no está bien sujeto.	Tighten the turbine impeller/squirrel cage and air chamber.
	El impulsor de turbina/jaula de ardilla no está balanceado.	Ajuste el impulsor de turbina/jaula de ardilla y la cámara de aire.
	La campana no está bien sujeta en su lugar	Verifique la instalación de la campana, ajuste el soporte de montaje.
El motor está funcionando pero las luces no.	El(los) foco(s) de la Lámpara de Halógeno está(n) defectuoso(s).	Intente colocar el foco que le está dando problemas en otro receptáculo que funcione, si aún así éste no funciona, reemplace el foco de halógeno.
	El cableado de la luz está flojo.	Verifique la continuidad del cable desde la placa de procesador al transformador de la luz hasta la caja de la lámpara de halógeno.
	El transformador de la luz está defectuoso.	Verifique la entrada y salida de la corriente en el transformador de la luz. De ser necesario, reemplace el transformador de la luz.
	El panel de control o la placa de procesador están defectuosos.	Reemplace el panel de control o la placa de procesador.
La campana de extracción no está ventilando correctamente.	La campana de extracción no se encuentra instalada en el espacio recomendando por el fabricante.	Ajuste el espacio entre la campana y la parte superior de la estufa a 27" a 30". Para la campana de cocina de isla, el espacio entre la campana y la parte superior de la estufa deberá ser de 30" a 36"
	No hay aire de reposición en la casa.	Abra la ventana para optimizar el rendimiento de la campana de extracción creando suficiente aire de reposición.
	Una obstrucción bloquea la red de conductos.	Remueva todas las obstrucciones de la red de conductos.
	El tamaño del tubo es más pequeño que el tubo recomendado.	Cambie los tubos de acuerdo con la recomendación del fabricante.
Aire frío entra en la casa	La conexión de los conductos no está sellada correctamente.	Verifique la instalación de los tubos
	El regulador no está instalado adecuadamente o no ha sido instalado.	Verifique la instalación del regulador.
	El regulador no está instalado.	Instalar el regulador le ayudará a eliminar el reflujó de aire.

## CLÁUSULA DE EXENCIÓN

1. **INSPECCIONE CUIDADOSAMENTE TODOS LOS ARTÍCULOS VERIFICANDO QUE NO EXISTAN DAÑOS ANTES DE ACEPTAR LA ENTREGA. ANOTE CUALQUIER DAÑO EN LA FACTURA DE TRANSPORTE O EN EL RECIBO. PIDA EL NOMBRE Y FIRMA DEL AGENTE DE TRANSPORTE Y CONSERVE UNA COPIA PARA RESPALDAR SU RECLAMO.**

Al momento de aceptar los artículos, el propietario asume la responsabilidad de que lleguen de manera segura. Reporte los daños al transportista y presente un reclamo inmediatamente. El no hacerlo podría resultar en un rechazo de su reclamo. El transportista le entregará los formularios necesarios para presentar un reclamo.

**LOS DAÑOS CAUSADOS DURANTE EL TRANSPORTE NO SE ENCUENTRAN CUBIERTOS BAJO NUESTRA GARANTÍA.**

2. **POR FAVOR, ¡INSPECCIONE LOS CONTENIDOS DEL PAQUETE(S) CUIDADOSAMENTE AL RECIBIRLOS!**

Se nos deberá notificar por escrito sobre cualquier daño y/o piezas faltantes dentro del periodo de días establecidos luego de haber recibido su paquete(s). Contacte a su distribuidor o concesionario KOBE o llame a KOBE para obtener información sobre el límite de tiempo.

**LOS RECLAMOS NO SERÁN ACEPTADOS DESPUÉS DEL PERIODO DE DÍAS ESTABLECIDOS.**

NOTA: LOS ARTÍCULOS FUERON SOMETIDOS A PRUEBAS Y EMPACADOS CUIDADOSAMENTE EN NUESTRA FABRICA ANTES DE SU ENVÍO.

3. Los productos deberán ser devueltos en buen funcionamiento con TODAS las piezas y documentación originales empacados en TODAS los cartones, rellenos y cajas de envío originales. Se cobrará una tarifa por reposición de existencias del 25% para todas las devoluciones aprobadas. **LOS CAMBIOS O DEVOLUCIONES PODRÍAN NO ACEPTARSE SI FALTARA ALGÚN MATERIAL DE EMPAQUE.**

4. **ASEGÚRESE DE INSPECCIONAR LA CAMPANA VERIFICANDO QUE NO EXISTAN DAÑOS O DEFECTOS ANTES DE INSTALARLA.** Las imperfecciones en la apariencia de la campana que se encuentren después de que ésta haya sido instalada y que no afecten el rendimiento de la misma, no se encuentran cubiertas bajo nuestra garantía sobre devoluciones o cambios. Las visitas de servicio que no se encuentran cubiertas bajo la garantía incurrirán un cargo por servicio.

A) Antes de la Instalación: Envíe de vuelta para cambio o reembolso (por favor consultar lo anterior para averiguar sobre las devoluciones aceptadas).

B) Después de la Instalación: **NO** habrá ningún cambio ni reembolso.

## **GARANTÍA**

### **CERTIFICADO DE GARANTÍA**

KOBE Range Hoods, Inc. garantiza que todos los productos fabricados o proporcionados por la compañía se encontrarán libres de defectos en cuanto a mano de obra y materiales. Sus obligaciones según esta garantía se encuentran limitadas a un periodo de dos años a partir de la fecha de compra y a reparar o reemplazar a su elección y sujeto a los términos y condiciones establecidas a continuación, cualquier pieza, que luego de ser examinada demuestre que estaba defectuosa.

#### **PERIODO DE SERVICIO DE LA GARANTÍA DE DOS AÑOS**

Cualquier avería cubierta que ocurra dentro de un periodo de dos años a partir de la fecha de compra original que surja a causa de mano de obra o material defectuoso de fábrica será reparada (o reemplazada a nuestra discreción) sin costo alguno por parte de un Agente autorizado de KOBE Range Hoods o KOBE Range Hoods según corresponda. Tenga a la mano un comprobante de compra (o la factura original) para su verificación.

Si la campana de extracción ha sido vendida por el comprador original durante el periodo de garantía, el nuevo propietario estará protegido hasta que la garantía del comprador original se venza.

#### **CONDICIONES**

Las siguientes condiciones aplican solamente en relación a la garantía otorgada explícitamente por este certificado.

- 1) Esta garantía aplica solamente:
  - a) dentro de EE.UU. y Canadá.
  - b) a las campanas de extracción de USO UNIFAMILIAR PRIVADO (si han sido utilizadas COMERCIALMENTE o USO MULTIFAMILIAR u otros propósitos, la garantía se anulará).
- 2) La reparación de cualquier avería a proporcionarse bajo esta garantía no se proporcionará:
  - a) si el número de identificación colocado en la campana de extracción ha sido alterado, se considera ilegible o ha sido removido;
  - b) si no se ha presentado una notificación del defecto dentro del periodo de tiempo correspondiente;
  - c) fallo de los focos de la luz o lámparas de calor;
  - d) por daños físicos;
  - e) por superficies dañadas por la utilización de agentes de limpieza químicos no adecuados;
  - f) si el aparato ha:
    - i) estado sujeto a uso inadecuado, abuso, negligencia, accidentes, instalación incorrecta o el no seguir las instrucciones de operación;
    - ii) sido conectado a fuentes eléctricas, conductos de extracción, tubos o cubierta de conductos inadecuados, incorrectos o defectuosos, u operado utilizando lubricantes contaminados o incorrectos;
    - iii) sido instalado, mantenido u operado de manera distinta a lo que se ha estipulado en las instrucciones proporcionadas por KOBE Range Hoods incluyendo el uso inadecuado de detergentes, blanqueadores o limpiadores.
  - g) por daños causados a la campana de extracción durante su transporte, entrega, instalación o al quitarla;
  - h) por daños causados por o que resulten de reparaciones conducidas por cualquier otra persona que no sea nuestro Agente de Servicio Autorizado.
  - i) ruido o vibración causada por una instalación incorrecta de la campana de extracción y/o el regulador.

- 3) El comprador será el responsable de cualquier gasto relacionado por hacer que la campana de extracción se encuentre disponible para que se le dé servicio y en caso de que la campana de extracción se encuentre instalada fuera del territorio de venta principal del minorista o el territorio de servicio del Agente autorizado de KOBE Range Hoods más cercano según corresponda, así como de cualquier gasto de viaje y cualquier costo de transporte de la campana de extracción y piezas desde y hacia el concesionario y Agente de Servicio.
- 4) El comprador deberá proporcionar un comprobante de compra junto con este certificado de garantía al presentar un reclamo.
- 5) Los daños causados durante el envío no se encuentran cubiertos bajo nuestra garantía.

### **DAÑOS EMERGENTES**

El garante no se hace responsable por ningún daño emergente. ALGUNOS ESTADOS NO PERMITEN LA EXCLUSIÓN DE DAÑOS EMERGENTES ASÍ QUE LA EXCLUSIÓN ANTERIOR PODRÍA NO CORRESPONDERLE.

### **GARANTÍAS IMPLÍCITAS/LEY ESTATAL**

Cualquier garantía implícita, incluyendo la garantía implícita de comerciabilidad y adecuación al objetivo, impuestas al momento de la venta por las leyes del estado de venta se encuentran limitadas a dos años a partir de la fecha original de compra. Algunos estados no permiten límites en cuanto a la duración de las garantías implícitas. Esta garantía le otorga derechos legales específicos y podría también incluir derechos, que varían de estado en estado.

### **SERVICIO**

Para servicio contacte a:

KOBE Range Hoods  
11775 Clark Street  
Arcadia, CA 91006  
U.S.A  
Tel: (626) 775-8880  
Correo electrónico: [customer.service@KOBERangeHoods.com](mailto:customer.service@KOBERangeHoods.com)  
Sitio de Internet: [www.KOBERangeHoods.com](http://www.KOBERangeHoods.com)

## REGISTRO DEL PRODUCTO

¡Registre su Producto!

Cualquier avería cubierta que ocurra dentro de un periodo de dos años a partir de la fecha de compra original que surja a causa de mano de obra o material defectuoso de fábrica será reparada, o a nuestra discreción, la unidad será reemplazada sin costo alguno por parte de un Agente autorizado de KOBE Range Hoods o KOBE Range Hoods según corresponda. Tenga a la mano un comprobante de compra (factura original) para su verificación.

Si la campana de extracción ha sido vendida por el comprador original durante el periodo de garantía, el nuevo propietario estará protegido hasta que la garantía del comprador original se venza. Consulte la sección de la garantía para obtener la información completa sobre la cobertura de la garantía.

Este aparato ha sido fabricado, sometido a pruebas e inspeccionado según los estándares requeridos por KOBE Range Hoods.

**POR FAVOR, ENVÍE POR CORREO SU TARJETA DE REGISTRO DE GARANTÍA Y EL COMPROBANTE DE COMPRA A:**

KOBE Range Hoods  
Warranty Registration  
11775 Clark Street  
Arcadia, CA 91006 U.S.A

**ESCRIBA LA SIGUIENTE INFORMACIÓN PARA SUS ARCHIVOS:**

Modelo No. \_\_\_\_\_

No. de Serie \_\_\_\_\_

Fecha de Compra \_\_\_\_\_ / \_\_\_\_\_

Comprado En:

\_\_\_\_\_

\_\_\_\_\_

\_\_\_\_\_

**IMPORTANTE: POR FAVOR, TENGA A LA MANO UNA COPIA DE SU RECIBO DE VENTA O FACTURA AL SOLICITAR SERVICIO.**

**KOBE**<sup>®</sup>

KOBE Range Hoods  
11775 Clark Street  
Arcadia, CA 91006

<http://www.KOBERangeHoods.com>

Este extractor de campana KOBE ha sido fabricado para ser utilizado únicamente en EE.UU. y CANADÁ. No recomendamos la utilización de esta campana en el extranjero debido a que la fuente de energía podría no ser compatible y podría violar el código eléctrico de dicho país. **Utilizar una campana KOBE en el extranjero será a su propio riesgo y anulará la garantía.**

Information subject to change without notice.

VER.091210

## Free Manuals Download Website

<http://myh66.com>

<http://usermanuals.us>

<http://www.somanuals.com>

<http://www.4manuals.cc>

<http://www.manual-lib.com>

<http://www.404manual.com>

<http://www.luxmanual.com>

<http://aubethermostatmanual.com>

Golf course search by state

<http://golfingnear.com>

Email search by domain

<http://emailbydomain.com>

Auto manuals search

<http://auto.somanuals.com>

TV manuals search

<http://tv.somanuals.com>