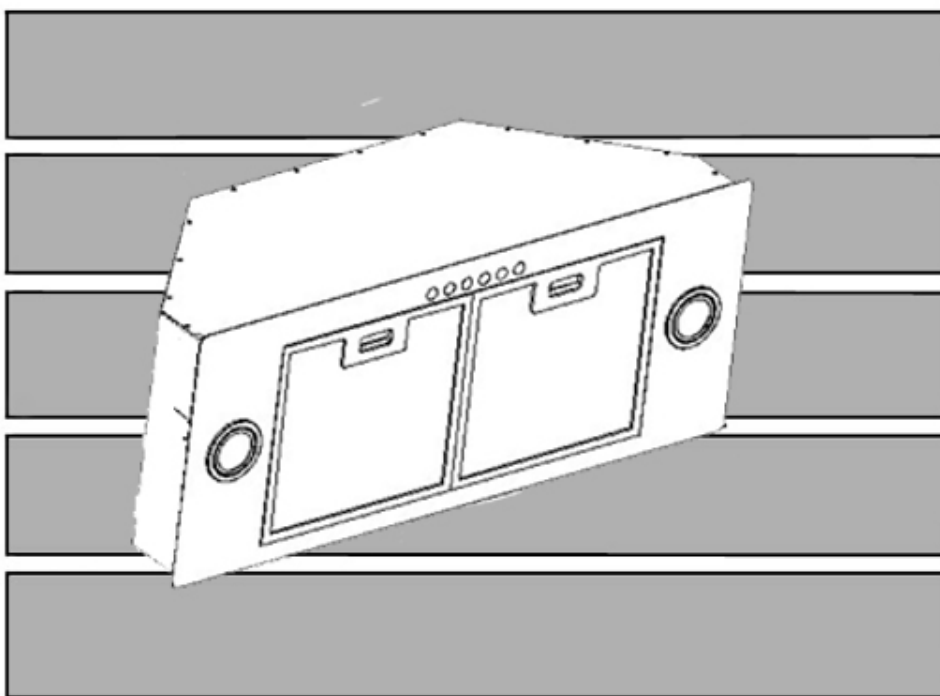


KOBE® **KOBE Brand Range Hood**

Model No. / N^{os} de modèles / Modelo No.

IN-027 SERIES



**INSTALLATION INSTRUCTIONS
AND OPERATION MANUAL**

**MANUEL D'INSTALLATION
ET MODE D'EMPLOI**

**INSTRUCCIONES DE INSTALACIÓN
Y MANUAL DE OPERACIÓN**

[ENGLISH]	1
[FRENCH]	23
[SPANISH]	45

[ENGLISH]

- READ AND SAVE THESE INSTRUCTIONS -

CONTENTS

IMPORTANT SAFETY INSTRUCTIONS.....	2
COMPONENTS OF PACKAGE.....	4
INSTALLATION.....	5
OPERATING INSTRUCTIONS.....	9
MAINTENANCE	10
SPECIFICATIONS.....	12
MEASUREMENTS & DIAGRAMS	13
PARTS LIST	15
CIRCUIT DIAGRAM	17
TROUBLE SHOOTING.....	18
DISCLAIMER.....	19
WARRANTY	20
PRODUCT REGISTRATION.....	22

- READ ALL INSTRUCTIONS CAREFULLY BEFORE STARTING -

ALL WIRING MUST BE DONE BY A PROFESSIONAL AND IN ACCORDANCE WITH NATIONAL AND LOCAL ELECTRICAL CODES



IMPORTANT SAFETY INSTRUCTIONS

- PLEASE READ THIS SECTION CAREFULLY BEFORE INSTALLATION -

⚠WARNING: TO REDUCE THE RISK OF FIRE, ELECTRIC SHOCK OR PERSONAL INJURY, OBSERVE THE FOLLOWING:

- 1) Installation and electrical wiring must be done by qualified professionals and in accordance with all applicable codes and standards, including fire-rated construction.
- 2) When cutting or drilling into wall or ceiling, be careful not to damage electrical wiring or other hidden utilities.
- 3) Ducted fans must be vented to the outside.
 - a) Before servicing or cleaning unit, open the light panel and SWITCH POWER OFF AT SERVICE PANEL.
 - b) Clean all grease laden surfaces frequently. To reduce the risk of fire and to disperse air properly, make sure to vent air outside. DO NOT vent exhaust air into wall spaces, attics, crawl spaces or garages.

NOTE - This warranty is invalid without an authorized agent's receipt or if unit is damaged due to misuse, poor installation, improper use, mistreatment, negligence or any other circumstances beyond the control of KOBE RANGE HOODS authorized agents. Any repair carried out without the supervision of KOBE RANGE HOODS authorized agents will automatically void the warranty.

- KOBE RANGE HOODS will not be held responsible for any damages to personal property or real estate or any bodily injuries whether caused directly or indirectly by the range hood.

⚠WARNING: TO REDUCE THE RISK OF PERSONAL INJURY IN THE EVENT OF A RANGE TOP GREASE FIRE:

- Keep all fan, baffle/spacer/filter/oil tunnel/oil container and grease-laden surfaces clean. Grease should not be allowed to accumulate on fan, baffle/spacer/filter/oil tunnel/oil container.
- Always turn hood ON when cooking.
- Use high settings on cooking range ONLY when necessary.
- Do not leave cooking range unattended when cooking.
- Always use cookware and utensils appropriate for the type and amount of food prepared.
- Use this unit only in the manner intended by the manufacturer.
- Before servicing, switch power off at service panel and lock service panel (if possible) to prevent power from switching on accidentally.
- Clean ventilating fan frequently.

What to Do In The Event Of a Range Top Grease Fire

- SMOTHER FLAMES with a tight fitting lid, cookie sheet, or metal tray, and then turn off the burner. KEEP FLAMMABLE OR COMBUSTIBLE MATERIAL AWAY FROM FLAMES. If the flames do not go out immediately, EVACUATE THE AREA AND CALL THE FIRE DEPARTMENT or 911.
- NEVER PICK UP A BURNING PAN – You May Get Burned.
- DO NOT USE WATER, including wet dishcloths or towels – a violent steam blast will result.
- Use an extinguisher ONLY if:
 - a) You have a Class A, B, C extinguisher and know how to operate it.
 - b) The fire is small and contained in the area where it started.
 - c) The fire department has been called.
 - d) You can fight the fire with your back to an exit.

What to Do If You Smell Gas

- Extinguish any open flame.
- Do not try to turn on the lights or any type of appliance.
- Open all doors and windows to disperse the gas. If you still smell gas, call the Gas Company and Fire Department right away.

⚠ CAUTION

- 1) For general ventilation use only. Do not use to exhaust hazardous or explosive materials and vapors.
- 2) To reduce the risk of fire, use only metal ductwork. Sufficient air is needed for proper combustion and exhausting of gases through the flue (chimney) to prevent back drafting.
- 3) Follow the heating equipment manufacturer's guideline and safety standards such as those published by the National Fire Protection Association (NFPA), and the American Society for Heating, Refrigeration and Air Conditioning Engineers (ASHRAE), and code authorities.
- 4) Activating any switch on may cause ignition or an explosion.
- 5) Due to the size and weight of this hood, two people installation is recommended.

⚠ WARNING



ELECTRICAL SHOCK HAZARD – Can result in serious injury or death. Disconnect appliance from electric power before servicing. If equipped, the fluorescent light bulb contains small amounts of mercury, which must be recycled or disposed of according to Local, State, and Federal Codes.

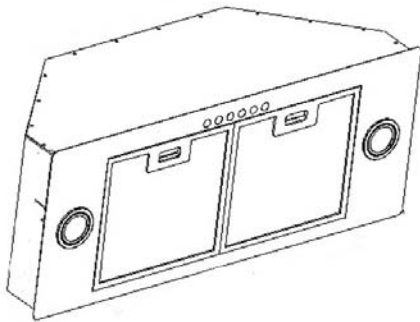
COMPONENTS OF PACKAGE

(Must keep all material for returns or refunds)

Range Hood Box

- {A} KOBE Range Hood
- {B} Warranty Registration Card
- {C} Instruction Manual
- {D} Aluminum Filter – 2

{A}



{B}



WARRANTY REGISTRATION CARD

NAME: _____ LAST NAME: _____
ADDRESS: _____ CITY: _____ STATE: _____ ZIP CODE: _____
PHONE: _____ FAX: _____
E-MAIL: _____

PLEASE PRINT CLEARLY IN INK

WARRANTY REGISTRATION CARD FOR KOBE RANGE HOODS

WARRANTY REGISTRATION CARD FOR KOBE RANGE HOODS

WARRANTY REGISTRATION CARD FOR KOBE RANGE HOODS

WARRANTY REGISTRATION CARD FOR KOBE RANGE HOODS

WARRANTY REGISTRATION CARD FOR KOBE RANGE HOODS

{C}

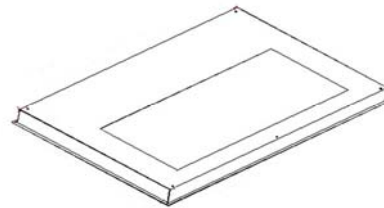


{D}



Liner (Sold Separately)

{E} Liner



- FOR MORE INFORMATION, PLEASE VISIT OUR WEBSITE www.KOBERangeHoods.com OR CONTACT KOBE RANGE HOODS AT (626) 775-8880.

INSTALLATION

PLEASE READ ENTIRE INSTRUCTIONS BEFORE PROCEEDING

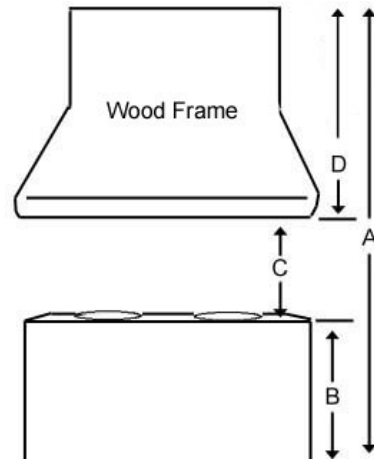
Calculation before Installation

To calculate installation, please refer to TABLE 1. (All calculation in inches.)

- FOR UNDER THE CABINET -

TABLE 1

A = Height of Floor to Ceiling
B = Height of Floor to Counter Top
(Standard: 36")
**C = Height of Counter Top to Wood Frame
Bottom (Recommended 27" to 30")**
D = Height of Wood Frame



SAFETY WARNING

HOOD MAY HAVE VERY SHARP EDGES; PLEASE WEAR PROTECTIVE GLOVES IF REMOVING ANY PARTS FOR INSTALLING, CLEANING OR SERVICING.

NOTE: BE CAREFUL WHEN USING ELECTRICAL SCREWDRIVER, DAMAGE TO THE HOOD MAY OCCUR.

Preparation Before Installation

NOTE: TO AVOID DAMAGE TO YOUR HOOD, PREVENT DEBRIS FROM ENTERING THE VENT OPENING.

- Decide the location of the venting pipe from the hood to the outside. Refer to Figure 1.
- A straight, short vent run will allow the hood to perform more efficiently.
- Try to avoid as many transitions, elbows, and long run as possible. This may reduce the performance of the hood.
- Temporarily wire the hood to test for proper operation before installing.
- **Important: Peel protective film off the hood, if any.**
- Use duct tape to seal joints between pipe sections.

⚠ CAUTION: If moving the cooking range is necessary to install the hood, turn off the power in an electric range at the main electrical box. **SHUT OFF THE GAS BEFORE MOVING A GAS RANGE.** And use a protective covering to protect cooktop and/or countertop from damage.

Custom Hood Preparation

1. The custom hood frame must be sized to shape and the weight of the insert. Refer to Measurements and Diagrams on Page 13.
2. It must have a sturdy base (1/2 inch thick plywood recommended) to sustain the weight of insert.
3. If an optional liner will be installed, the side of the wood cabinet must be sturdy (1/2 inch thick plywood recommended).
4. It is recommended to install a rear and front stud support. Refer to Figure 2. The stud supports are located 1-1/2" up from the base of the wood frame.

Liner Installation

5. The custom/wood hood must have a sturdy base to accommodate the cut-out for the inset. The base must be recessed to accommodate the height of the liner (See liner dimension on Page 14)
6. Secure the liner to the bottom of the base using screws (not included) appropriate for the size and material of your wood frame.
7. Position the rear section of the liner so that it aligns with the back edge of the custom wood frame. Use a pen to trace the outline of the pre-cut area. Remove the liner and proceed to Hood Preparation Before Installation on Page 6.
8. Install the liner with 5 screws (not provided).

Figure 1

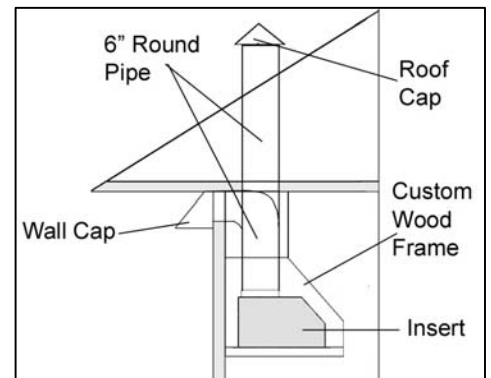


Figure 2

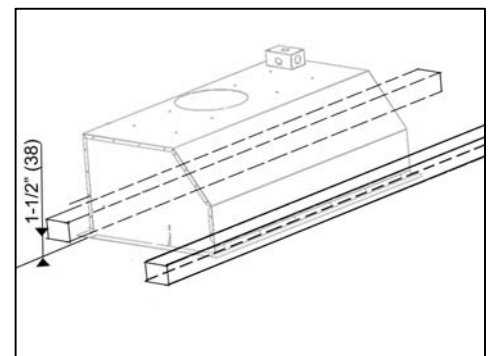
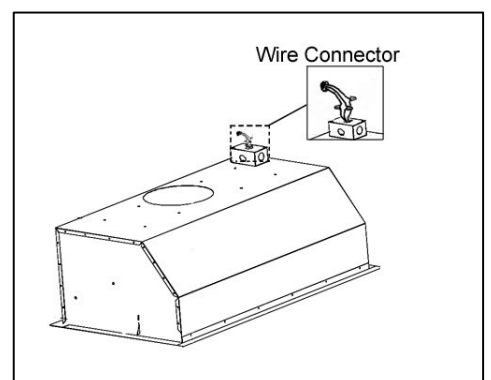


Figure 3



Wiring to Power Supply

⚠ SAFETY WARNING

RISK OF ELECTRICAL SHOCK. THIS RANGE HOOD MUST BE PROPERLY GROUNDLED. MAKE SURE THIS IS DONE BY QUALIFIED ELECTRICIAN IN ACCORDANCE WITH ALL APPLICABLE NATIONAL AND LOCAL ELECTRICAL CODES. BEFORE CONNECTING WIRES, SWITCH POWER OFF AT SERVICE PANEL AND LOCK SERVICE PANEL TO PREVENT POWER FROM BEING SWITCHED ON ACCIDENTALLY.

9. Temporarily wire the hood to test for proper operation before installing. If the insert does not operate, check the circuit breaker or house fuse. If the insert is still not working, disconnect the power supply and check the continuity of all wiring connections.
10. Connect electrical wires.
11. Connect three wires (black, white and green) to house wires and cap with wire connectors. Connect wires according to their colors (i.e. black to black, white to white, and green to green). See Figure 3.
12. Store wires in the wiring box.
13. Determine the proper location for the Power Supply Cable. Make a wiring access hole using a drill bit. Install the wire cable and seal the gap around hole. Note: Connect all electrical wires before installing insert. DO NOT turn on the power until installation is complete.

Figure 4

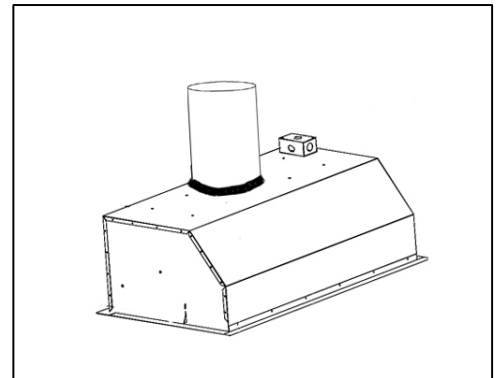
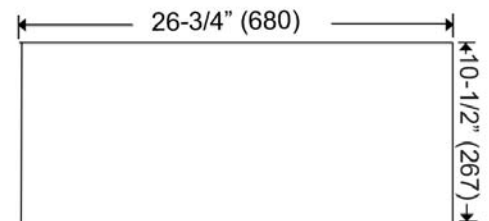


Figure 5



Duct Work Installation

14. Use 6" steel pipe (follow building codes in your area) to connect the ducting on the hood to the ductwork above. Use duct tape to seal and secure joints as shown in Figure 4.
15. Please refer to local codes for the usage of the damper (included). If necessary, remove the damper mechanism and install as exhaust connector.

Hood Preparation Before Installation

⚠ CAUTION: If moving the cooking range is necessary to install the hood, turn off the power in an electric range at the main electrical box. **SHUT OFF THE GAS BEFORE MOVING A GAS RANGE.**

16. Determine and mark the centerlines on the base of the wood frame where the insert will be installed.
17. Determine and make all necessary cuts in the wall or ceiling for the ductwork. Note: Install the duct work before installing the insert.
18. Cut out the opening where the insert will be installed. (Figure 5)

Hood Installation

19. Release the screws located on each side of the insert. Adjust the level of the hood casing support according to the thickness of the base (1/2 thickness plywood recommended). Tighten the screws to secure as shown on Figure 6.
20. Install the insert inside the custom wood frame.
21. Make sure the hood casing support is secure before releasing.
22. For a more secure installation, use the mounting holes for the rear support which are located at 1-1/2" (38mm) up from the insert base (screws not provided).

⚠ CAUTION: MAKE SURE HOOD IS SECURE BEFORE RELEASING.

Figure 6



Final Assembly

23. Install Aluminum Filters. Insert the filters towards the back of the unit and push up.
24. Make sure the Aluminum Filters are secure before releasing.

OPERATING INSTRUCTIONS

This KOBE hood is equipped with five electronic push buttons with LED indicator, double powerful centrifugal squirrel cage with aluminum filter, two bright 12-volt 20-watt halogen lights.

The five control buttons are Power Control (On/Off), Speed Control (High, Medium, & Low), and Light Control. Refer to Figure 7.

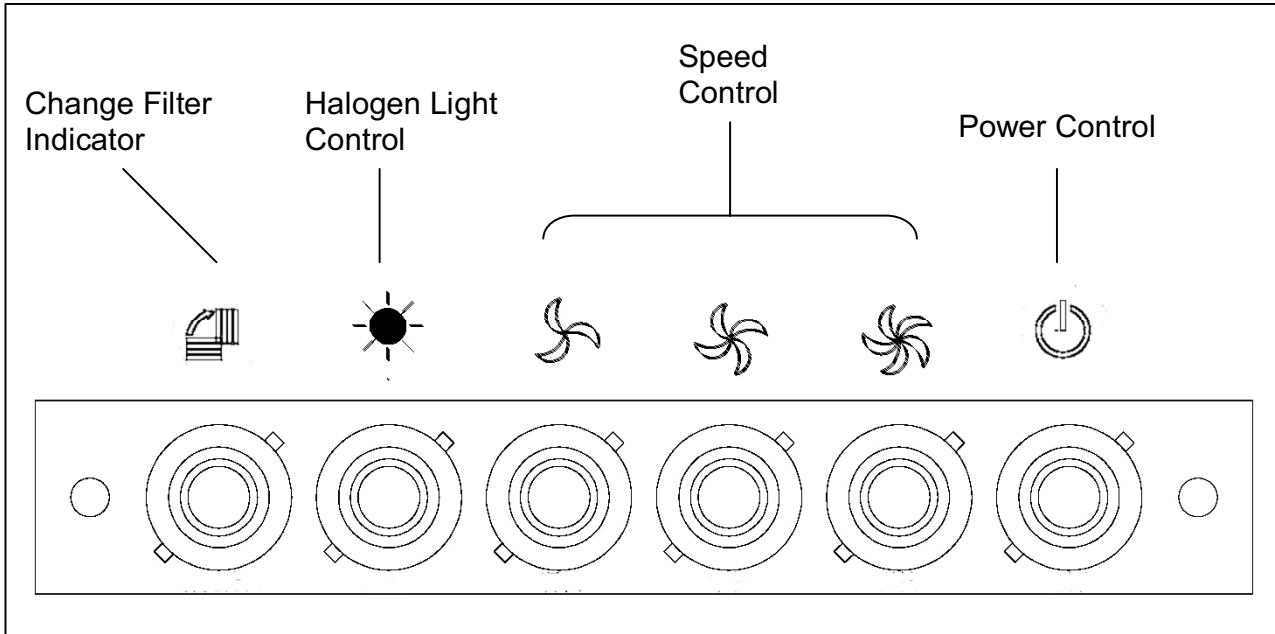


Figure 7

Note: For best results, turn hood to Low prior to any preparation or cooking. Adjust speed as needed.

Power Control

Press Power Control to turn On/Off the hood.

This unit equipped with 3-minute delay shutoff. To activate this feature, press Power Control button once, panel LED lights will flash and power will be completely shut off after 3 minutes.

Press Power Control button twice, the fans will be shut off immediately.

Speed Control

Press Speed Control to activate Low, Medium, & High Speed.


Light Control

(Light control is separate from ON/OFF control. Turning power off will not turn lights off.)

Press Light control to turn lights ON.

(Each press of Light Control will cycle the light intensity through high, low, and off.)

Aluminum Filter Change Indicator

The indication under symbol  will indicate when aluminum filter needs cleaning. Remove to clean the aluminum filter.

(To purchase replacement filters, please contact your local KOBE dealer or call 626-350-1355)

MAINTENANCE

SAFETY WARNING

NEVER PUT YOUR HAND INTO AREA HOUSING THE FAN WHILE THE FAN IS OPERATING.

Cleaning Hood Surface

 CAUTION: NEVER USE ABRASIVE CLEANERS, PADS, OR CLOTHS. DO NOT USE PAPER TOWEL ON STAINLESS STEEL.

For optimal operation, clean range hood and all baffle/spacer/filter/oil tunnel/oil container regularly.

*** Regular care will help preserve the appearance of the hood.

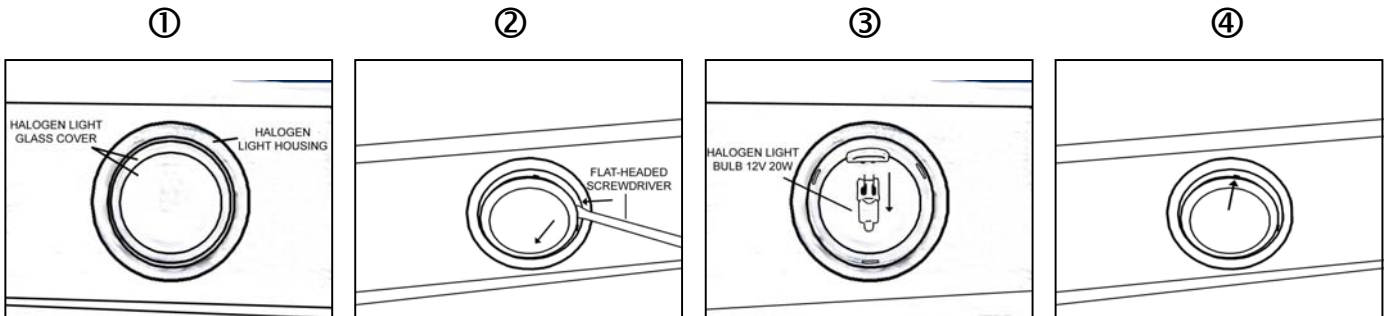
1. Use only mild soap or detergent solutions. Dry surfaces using soft cloth.
2. If hood looks splotchy (stainless steel hood), use a stainless steel cleaner to clean the surface of the hood. Avoid getting cleaning solution onto or into the control panel. Follow directions of the stainless steel cleaner. **Caution: Do not leave on too long as this may cause damage to hood finish.** Use soft towel to wipe off the cleaning solution, gently rub off any stubborn spots. Use dry soft towel to dry the hood.
3. DO NOT allow deposits to accumulate or remain on the hood.
4. DO NOT use ordinary steel wool or steel brushes. Small bits of steel may adhere to the surface and cause rusting.
5. DO NOT allow salt solutions, disinfectants, bleaches, or cleaning compounds to remain in contact with stainless steel for extended periods. Many of these compounds contain chemicals, which may be harmful. Rinse with water after exposure and wipe dry with a clean lint free cloth.

To Clean Aluminum Filter

1. Remove all the aluminum filters.
2. Wash with warm soapy water. Dry thoroughly before returning into place.

Replacing Light Bulb

CAUTION: HALOGEN LIGHT UNIT MAY BE HOT! WAIT UNTIL UNIT IS COOL.



1. Make sure all controls are off, and range hood is unplugged.
2. Place the flat-headed screwdriver into the groove of the halogen light glass covering and the housing. ①
3. Pop out the halogen light glass covering. ②
4. Gently pull out the defective light bulb and discard. Light bulbs should be 12V 20W maximum. ③
5. Using a cloth, hold the new light bulb and push securely into light socket.
6. Return halogen light glass cover to the housing. ④
7. Turn range hood ON to test for operation.

SPECIFICATIONS

MODEL / SIZE	IN2730SF		
COLOR	16-Gauge Commercial Stainless Steel		
CONSUMPTION / AMPERE	120W / 1.0A		
VOLTAGE	120V 60Hz		
NUMBER OF MOTORS	1		
FAN TYPE: CENTRIFUGAL	Double Horizontal Squirrel Cage		
EXHAUST	Top 6" Round w/ Damper		
CONTROLS	5 Push-Button - 3-Minute Delay Shutoff		
HALOGEN LIGHTS	12V 20W Max. x 2		
HOOD DIMENSION (W X D X H)	27-1/2" x 11-3/8" x 9-3/4"		
OPTIONAL ACCESSORIES (W X D X H)	Liner: INL36211A (36" X 21" X 2")		
HOOD WEIGHT (lbs)		<u>Net</u>	<u>Gross</u>
	IN2730SQB	24	32
Blower Air Capacity (cfm)	Low	Medium	High
	200	310	400
Sone	3.0	4.3	6.6
dB	56	61	67

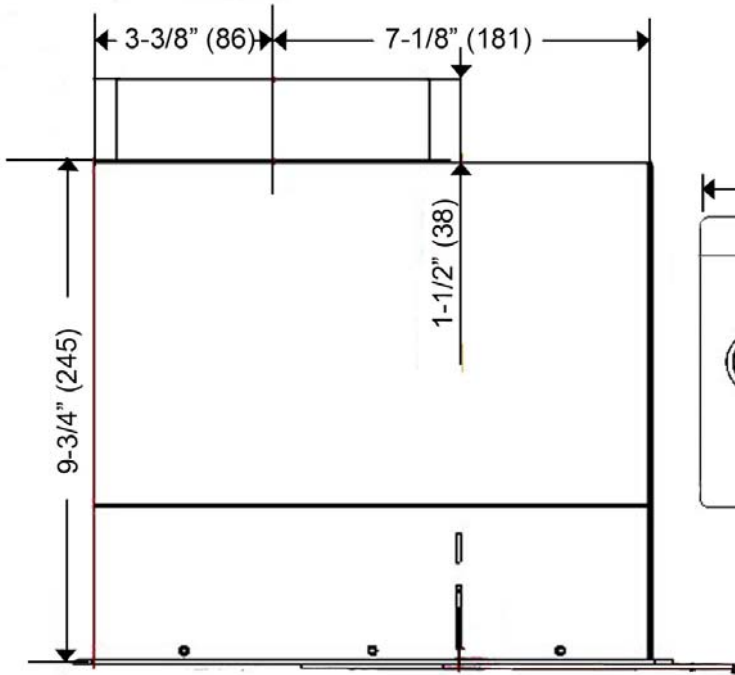
Specifications subject to change without notice.

MEASUREMENTS & DIAGRAMS

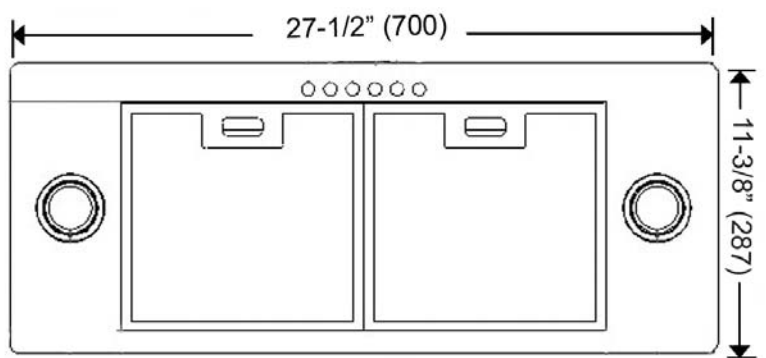
- ◆ All () are in millimeter.
- ◆ All inch measurements are converted from millimeters. Inch measurements are estimated.

MODEL NO: IN2730SF

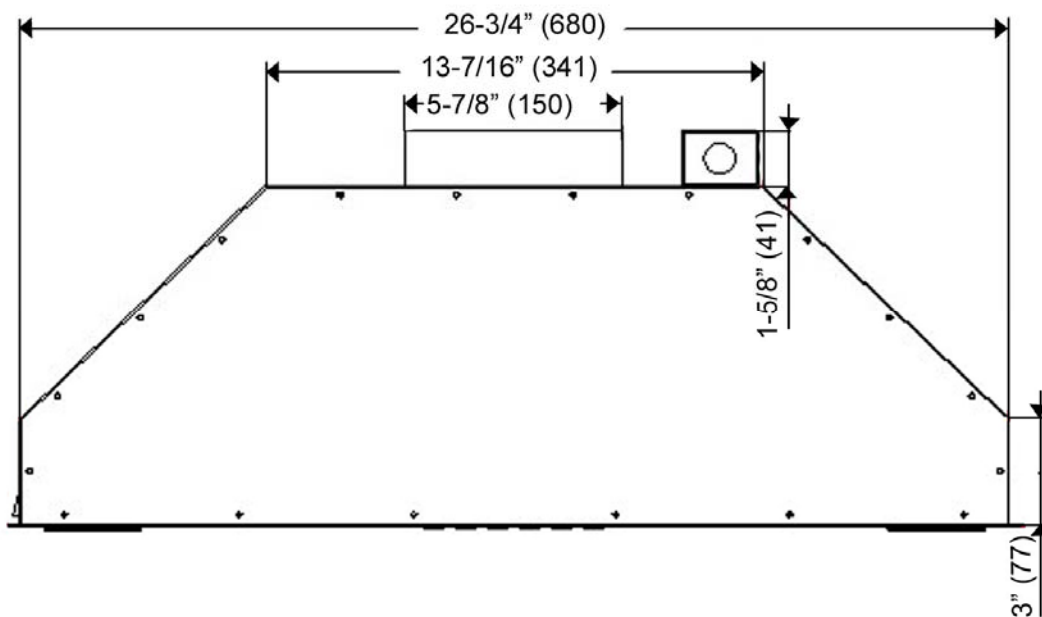
Side View



Bottom View

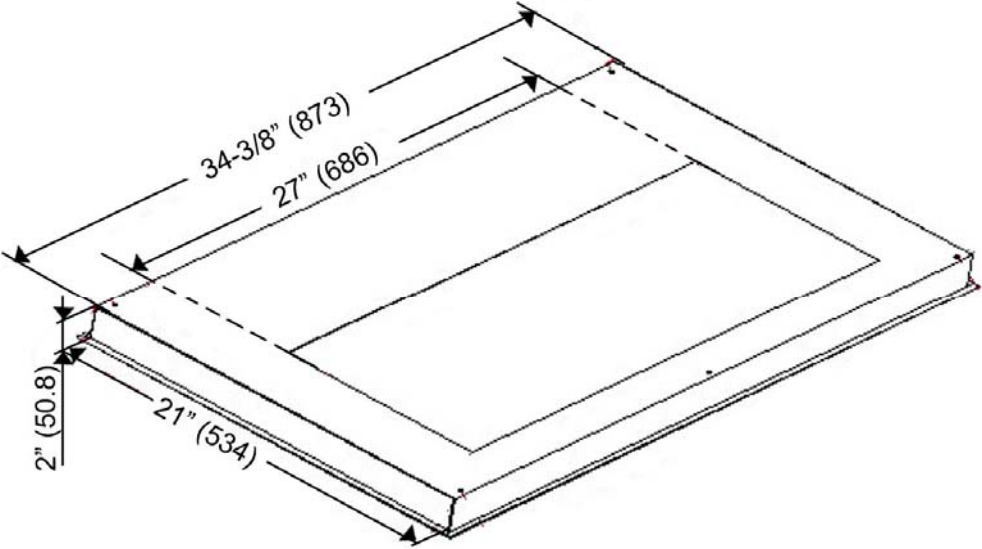


Front View



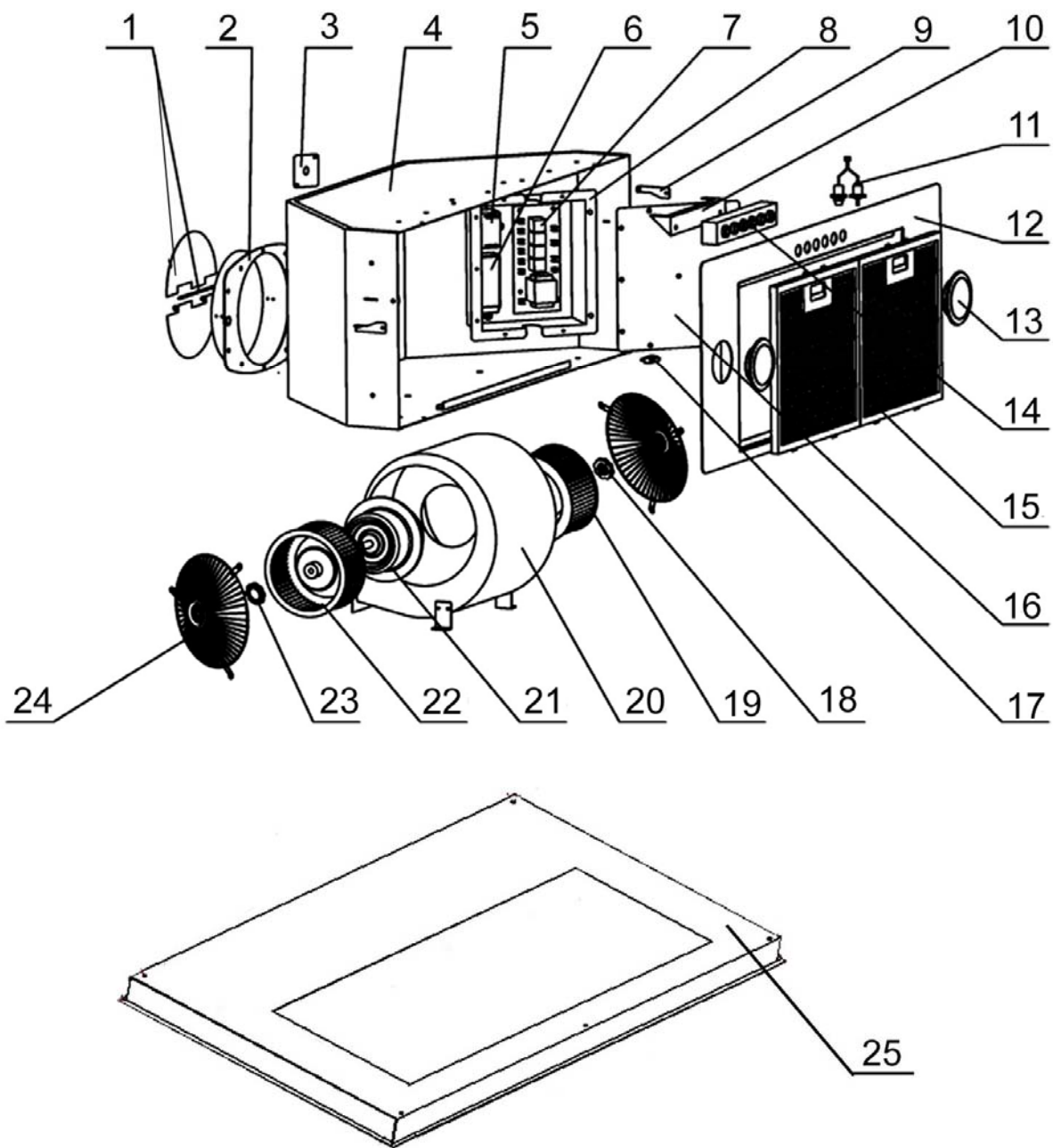
Stainless Steel Liner (Sold Separately)

Model No. INL36211A



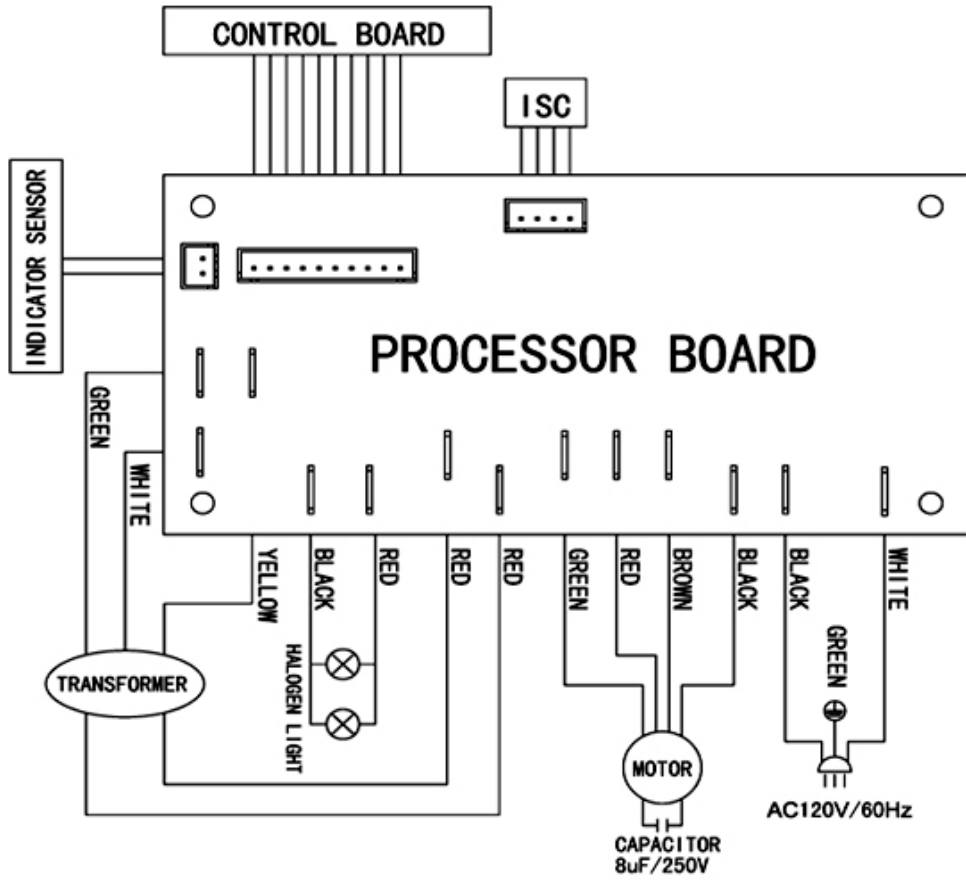
PARTS LIST**MODEL NO: IN2730SF**

NO.	DESCRIPTION	MODEL/SIZE	PART NO.
1	Damper Hardware		IN2730-05-06
2	Exhaust Connector		IN2730-05-02
3	Wiring Box Cover		IN2730-04-01
4	Hood Casing		IN2730-01-01
5	Transformer		IN2730-16-01
6	Capacitor		IN2730-07-02
7	Processor Board		IN2730-04-03
8	Processor Board Box		IN2730-03-01
9	Hood Casing Support		IN2730-09-01
10	Control Unit Support		IN2730-01-06
11	ISC		IN2730-13-01
12	Bottom Casing		IN2730-02-01
13	Halogen Light Housing		IN2730-17-01
14	Control Unit		IN2730-15-00
15	Aluminum Filters		IN2730-10-01
16	Electronic Support Panel		IN2730-03-02
17	Indicator Sensor		IN2730-06-01
18	Right Locknut		IN2730-19-02
19	Right Squirrel Cage		IN2730-08-02
20	Air Chamber		IN2730-18-01
21	Motor		IN2730-07-01
23	Left Squirrel Cage		IN2730-08-01
23	Left Locknut		IN2730-19-01
24	Safety Screen		IN2730-20-01
Optional Liner			
Model No.			
25	Liner	INL36211A	IN2730-11-01



CIRCUIT DIAGRAM

MODEL NO.: IN2730SF



TROUBLE SHOOTING

Issue	Possible Cause	Solution
After Installation, both motors and lights are not working.	The power is not on.	Make sure the circuit breaker and the unit's power is ON. Use a voltage meter to check the power supply.
	The wire connection is not secure.	Check and tighten wire connection.
	The control panel and processor board wiring are disconnected.	Check wire continuity from control panel to processor board.
	The motor transformer is defective.	Check the power input and power output on the motor transformer. If it's needed, replace the motor transformer.
	The control panel and processor board is defective.	Replace the control panel or processor board.
Lights are working, but motor(s) is not.	The motor(s) is defective.	Replace the motor.
	The capacitor(s) is defective.	Replace capacitor(s).
	The control panel or processor board is defective.	Replace the control panel or processing board.
The range hood is vibrating.	The blower system is not secure.	Tighten the turbine impeller/squirrel cage and air chamber.
	The turbine impeller/squirrel cage is not balanced.	Replace the turbine impeller/squirrel cage.
	Hood is not secured in place.	Check the installation of hood, tighten the mounting bracket.
The motor is working, but the lights are not working.	Halogen Light bulb(s) is defective.	Try placing the trouble light bulb(s) to a working socket, if the bulb(s) still doesn't work; replace the halogen light bulb(s).
	The light wiring(s) is loose.	Check wire continuity from processor board to light transformer to halogen light housing(s).
	Light transformer is defective.	Check power input and power output on the light transformer. If it's needed, replace the light transformer.
	The control panel or processor board is defective.	Replace the control panel or processing board.
The range hood is not venting out correctly.	The range hood is installed outside of the manufacture recommended clearance.	Adjust the clearance between the range hoods and cook top to 27" to 30". For Island range hood, the clearance between the range hoods and cook top is 30" to 36".
	There is no make-up air inside the house.	Open the window to enhance the performance of the range hood by creating a sufficient make-up air.
	Obstacle blocking the pipe work.	Remove all obstacles from the duct work.
	The pipe size is smaller than the suggested pipe size.	Change the ducting according to the manufacture suggestion.
Cold air is coming into the home.	The pipe connection is not properly sealed.	Check the pipe installation.
	The damper is not properly installed or is missing from the installation.	Check the damper installation.
	The damper is not installed.	By installing the damper, it will help to eliminate air backflow.

DISCLAIMER

1. **CAREFULLY INSPECT ALL ITEMS FOR DAMAGES BEFORE ACCEPTING DELIVERY. NOTE ANY DAMAGES ON THE FREIGHT BILL OR EXPRESS RECEIPT. REQUEST NAME AND SIGNATURE OF THE CARRIER'S AGENT AND KEEP COPY TO SUPPORT YOUR CLAIM.**
Upon acceptance of items, owner assumes responsibility for its safe arrival. Report damages to the carrier and file a claim immediately. Failure to do so may result in the denial of your claim. The carrier will furnish you with necessary forms for filing a claim.
DAMAGES CAUSED DURING TRANSIT ARE NOT COVERED UNDER OUR WARRANTY.
2. **PLEASE INSPECT CONTENTS OF PACKAGE(S) CAREFULLY UPON RECEIVING!**
We must be notified in writing of any damages and/or missing parts within the allocated days upon your receipt of package(s). Contact your local KOBE dealer or distributor or call KOBE for the time limit.
CLAIMS WILL NOT BE ACCEPTED AFTER THE ALLOCATED DAYS.
NOTE: ITEMS WERE THOROUGHLY TESTED AND CAREFULLY PACKED IN OUR FACTORY BEFORE SHIPPING.
3. Products must be returned in good working condition with ALL original parts and documentation packed in ALL original cartons, fillers and shipping cartons. A restocking fee of 25% will be charged for all approved return(s).
EXCHANGES OR RETURNS MAY NOT BE ACCEPTED IF ANY PACKAGING IS MISSING.
4. **MAKE SURE TO INSPECT THE HOOD FOR DAMAGES AND DEFECTS BEFORE INSTALLATION.** Appearance flaws of the hood found after installation and not affecting hood performance is not covered under our warranty for returns or exchanges. Service visits not covered under warranty will carry a service charge.
 - A) Before Installation: Return for exchange or refund (please see above for acceptable returns).
 - B) After Installation: **NO** exchange or refund.

WARRANTY

WARRANTY CERTIFICATE

KOBE Range Hoods warrants all products manufactured or supplied by it to be free from defects in workmanship and materials. Its obligations pursuant to this warranty are limited to a period of two years from the date of purchase and to the repair or replacement at its option and subject to the terms and conditions stated below, of any component part, which its examination shall disclose to be so defective.

TWO-YEAR WARRANTY SERVICE PERIOD

Any covered failure occurring within two years of original purchase arising from defective workmanship or material in manufacture will be repaired (or at our discretion, replaced) free of charge by an authorized KOBE Range Hoods Agent or KOBE Range Hoods as applicable. Keep proof of purchase (or original invoice) handy for inspection.

If the range hood is sold by the original purchaser during the warranty period the new owner is protected until expiration of the original purchaser's warranty.

CONDITIONS

The following conditions apply only in relation to the warranty expressly given in this certificate.

- 1) This warranty applies only:
 - a) within U.S.A. and Canada.
 - b) to range hoods used for PRIVATE SINGLE FAMILY USE (if used for COMMERCIAL or MULTIPLE FAMILY USE or other purposes, warranty will be voided).
- 2) Repair of any fault to be provided under this warranty shall not be provided:
 - a) if the identification number attached to the range hood has been altered, rendered illegible or removed;
 - b) if notice of the defect has not been given within the period applicable;
 - c) for failure of light bulbs or heat lamps;
 - d) for physical damage;
 - e) for surfaces damaged by use of improper chemical cleaning agents;
 - f) if the appliance has been:
 - i) subject to misuse, abuse, negligence, accident, incorrect installation or failure to follow the operating instructions;
 - ii) connected to improper, inadequate or faulty electricity service or exhaust ducts, flues or duct cover, or operated using incorrect or contaminated lubricants;
 - iii) installed, maintained or operated otherwise than in accordance with the instructions furnished by KOBE Range Hoods including the improper use of detergents, bleaches, or cleaners.
 - g) for damage to range hood during transit, delivery, installation or removal;
 - h) for damage by or resulting from attempted repairs conducted by anyone other than our Authorized Service Agent.
 - i) noise or vibration caused by improper installation of range hood and/or damper.

- 3) The purchaser shall be responsible for any expenses involved in making the range hood readily accessible for servicing and where the range hood is installed outside the main sales territory of the retailer or service territory of the nearest approved KOBE Range Hoods Agent as applicable, for any traveling expenses and any costs of transporting the range hood or parts thereof to and from the dealer or Service Agent
- 4) The purchaser must produce proof of purchase together with this warranty certificate when making the claim.
- 5) Damages caused during shipment are not covered under our warranty.

CONSEQUENTIAL DAMAGE

The warrantor is not responsible for any consequential damage. SOME STATES DO NOT ALLOW THE EXCLUSION OF CONSEQUENTIAL DAMAGE SO THE ABOVE EXCLUSION MAY NOT APPLY TO YOU.

IMPLIED WARRANTIES/STATE LAW

Any implied warranties, including the implied warranty of merchantability and fitness for purpose, imposed on the sale by the laws of the state of sale are limited to two year from the date of original purchase. Some states do not allow limitations on the duration of implied warranties. This warranty gives you specific legal rights, and may also have rights, which vary from state to state.

SERVICE

For service contact:

KOBE Range Hoods
11775 Clark Street
Arcadia, CA 91006 U.S.A
Tel: 1-877-BUY-KOBE (1-877-289-5623)
Email: customer.service@KOBERangeHoods.com
Website: www.KOBERangeHoods.com

PRODUCT REGISTRATION

Register Your Product!

Any covered failure occurring within two years of original purchase arising from defective workmanship or material in manufacture will be repaired or at our option the unit will be replaced free of charge by an authorized KOBE Range Hoods Agent or KOBE Range Hoods as applicable. Keep proof of purchase (original invoice) handy for inspection.

If the range hood is sold by the original purchaser during the warranty period the new owner is protected until expiration of the original purchaser's warranty. See warranty section for complete warranty coverage information.

This appliance has been manufactured, tested, and inspected to the standards required by KOBE Range Hoods.

PLEASE MAIL IN YOUR WARRANTY REGISTRATION CARD AND PROOF OF PURCHASE TO:

KOBE Range Hoods
Warranty Registration
11775 Clark Street
Arcadia, CA 91006

RECORD THE FOLLOWING INFORMATION FOR YOUR RECORD:

Model No. _____

Serial No. _____

Purchased Date ____ / ____ / ____

Purchased From:

IMPORTANT: PLEASE KEEP A COPY OF YOUR SALE RECEIPT OR INVOICE HANDY WHEN REQUESTING SERVICE.

[FRENCH]

LIRE ET CONSERVER CES INSTRUCTIONS

TABLE DES MATIÈRES

CONSIGNES DE SÉCURITÉ IMPORTANTES.....	24
CONTENU DE L'EMBALLAGE.....	26
INSTALLATION	27
MODE D'EMPLOI	31
ENTRETIEN PRÉVENTIF.....	32
SPÉCIFICATIONS	34
MESURES ET SCHÉMAS	35
LISTE DES PIÈCES	37
SCHÉMA DE CÂBLAGE.....	39
TROUBLE SHOOTING.....	40
AVIS DE NON-RESPONSABILITÉ.....	41
GARANTIE.....	42
ENREGISTREMENT DU PRODUIT	44


LIRE ATTENTIVEMENT TOUTES LES CONSIGNES AVANT DE COMMENCER

TOUT LE CÂBLAGE ÉLECTRIQUE DOIT ÊTRE EFFECTUÉ PAR UN PROFESSIONNEL EN
CONFORMITÉ AVEC LES CODES D'ÉLECTRICITÉ LOCAUX ET NATIONAUX.



CONSIGNES DE SÉCURITÉ IMPORTANTES


- VEUILLEZ LIRE ATTENTIVEMENT CETTE SECTION AVANT L'INSTALLATION -

 AVERTISSEMENT- AFIN DE RÉDUIRE LES RISQUES D'INCENDIE, DE CHOC ÉLECTRIQUE ET DE BLESSURES, RESPECTEZ LES CONSIGNES SUIVANTES :

- 1) L'installation et le câblage électrique doivent être effectués, par des techniciens qualifiés, en conformité avec tous les codes et toutes les normes qui s'appliquent, même ceux relatifs aux constructions ignifugées.
- 2) Lorsque vous découpez ou percez un mur ou un plafond, prendre soin de ne pas endommager le filage électrique et autres conduits cachés.
- 3) Les hottes à évacuation doivent être évacuées à l'extérieur.
 - a. Avant une réparation, un entretien préventif ou un nettoyage, ouvrir le panneau d'éclairage et **COUPER LE COURANT ÉLECTRIQUE SUR LE PANNEAU DE SERVICE.**
 - b. Nettoyer fréquemment toutes les surfaces chargées de graisse. Afin de réduire les risques d'incendie et afin de disperser l'air adéquatement, évacuer l'air à l'extérieur. **NE PAS** ventiler l'air d'évacuation dans les murs, les greniers, les vides sanitaires et les garages.

NOTE - La garantie de cet appareil sera nulle sans le reçu d'un distributeur autorisé de KOBE RANGE HOODS ou si l'appareil est endommagé par une utilisation inadéquate, une installation déficiente, un usage inapproprié, un mauvais traitement, de la négligence ou par toute autre circonstance échappant au contrôle des distributeurs autorisés de KOBE RANGE HOODS. Toute réparation non effectuée sous la supervision d'un agent autorisé de KOBE RANGE HOODS annulera automatiquement la garantie.

- KOBE RANGE HOODS se dégage de toute responsabilité face à des dommages à la propriété personnelle ou aux biens immeubles ou encore à des blessures corporelles causées directement ou indirectement par la hotte de cuisinière.

 AVERTISSEMENT- AFIN DE RÉDUIRE LES RISQUES DE BLESSURES CORPORELLES DANS L'ÉVENTUALITÉ D'UN INCENDIE DE GRAISSE SE DÉCLARANT SOUS LA HOTTE DE CUISINIÈRE :

- Tenir le ventilateur, déflecteur/entretoise/filtre/récupérateur de graisse/récipient à graisse et les surfaces chargées de graisse toujours propres. Les accumulations de graisse ne devraient pas être tolérées sur un ventilateur, déflecteur/entretoise/filtre/récupérateur de graisse/récipient à graisse.
- Toujours faire fonctionner la hotte lors de la cuisson.
- Utiliser les températures élevées de la cuisinière **UNIQUEMENT** lorsque nécessaire.
- Ne pas laisser la cuisinière sans surveillance lors d'une cuisson.
- Toujours utiliser les articles de cuisson et les ustensiles appropriés au type et à la quantité d'aliments préparés.
- Utiliser l'appareil uniquement pour l'usage auquel le fabricant l'a destiné.
- Avant l'entretien courant, couper l'alimentation électrique au panneau de service et verrouiller ce dernier (si possible) pour éviter une mise en marche accidentelle.
- Nettoyer fréquemment le ventilateur.

Que faire en cas d'un incendie de graisse sur la cuisinière?

- **ÉTOUFFER LES FLAMMES** à l'aide d'un couvercle hermétique, une plaque à biscuits ou un plateau en métal, puis fermer le rond ou le brûleur. **GARDER LES MATÉRIAUX INFLAMMABLES OU COMBUSTIBLES LOIN DES FLAMMES.** Si les flammes ne s'éteignent pas immédiatement, **ÉVACUER LA ZONE ET APPELER LE SERVICE D'INCENDIE** ou le 911.
- **NE JAMAIS SOULEVER UNE CASSEROLE EN FEU** - Il y a risque de brûlure.
- **NE PAS UTILISER D'EAU** y compris serviettes ou linges à vaisselle mouillés - cela provoquerait un violent jet de vapeur.
- Utiliser un extincteur **SEULEMENT** si :
 - a) vous possédez un extincteur de classe A, B ou C et savez vous en servir;
 - b) le feu est petit et est contenu dans la zone de départ;
 - c) vous avez appelé le service d'incendie;
 - d) vous pouvez combattre le feu le dos près d'une sortie.

Que faire si une odeur de gaz se dégage?

- Éteindre toute flamme nue.
- Ne pas essayer d'allumer des lumières ou tout type d'appareil électroménager.
- Ouvrir toutes les portes et fenêtres afin de chasser le gaz. Si une odeur de gaz est toujours perceptible, appeler immédiatement votre fournisseur de gaz ainsi que le service d'incendie.

ATTENTION

- 1) Cette hotte doit être utilisée uniquement pour une ventilation normale. Ne pas s'en servir pour évacuer des substances et vapeurs dangereuses ou explosives.
- 2) Afin de réduire les risques d'incendie, employer seulement des conduits de métal. Il doit y avoir suffisamment d'air pour une combustion et une évacuation des gaz appropriées par le conduit de fumée (cheminée) afin d'éviter le refoulement d'air.
- 3) Suivre les directives et les consignes de sécurité des fabricants d'équipement de chauffage comme celles publiées par le *National Fire Protection Association (NFPA)* et l'*American Society for Heating, Refrigeration and Air Conditioning Engineers (ASHRAE)* de même que les codes en vigueur.
- 4) L'activation de tout interrupteur peut provoquer l'allumage ou une explosion.
- 5) En raison de la taille et du poids de la hotte, il est recommandé que deux personnes participent à l'installation.

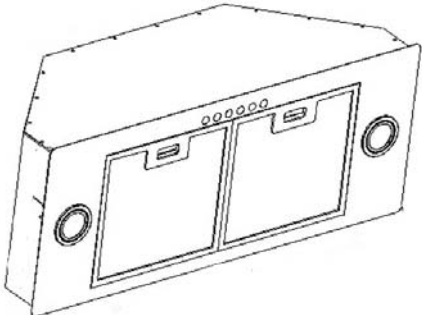

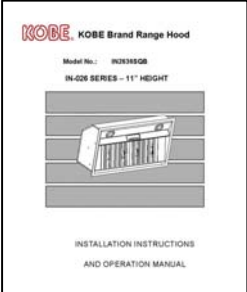

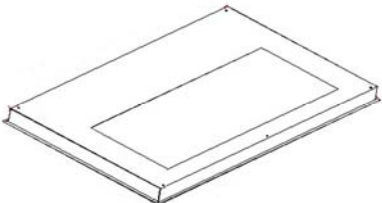
AVERTISSEMENT



RISQUE DE CHOC ÉLECTRIQUE - Pouvant entraîner la mort ou des blessures graves. Couper l'alimentation électrique à l'appareil avant tout entretien ou toute réparation. Si la hotte est munie d'une ampoule fluorescente, cette dernière contient une petite quantité de mercure et, en conséquence, elle doit être recyclée ou éliminée conformément aux codes locaux, provinciaux et fédéraux qui s'appliquent

CONTENU DE L'EMBALLAGE

(Pour tout retour ou remboursement, conserver tout le matériel ainsi que l'emballage d'origine)

Boîte de la hotte de cuisinière	Revêtement (vendu séparément)
<p> {A} Hotte de cuisinière KOBE {B} Certificat de garantie {C} Notice d'installation et mode d'emploi {D} 2- filtres en aluminium </p> <p> {A}  </p> <p> {B}  </p> <p> {C}  </p> <p> {D}  </p>	<p> {E} Revêtement </p> 

- POUR DE PLUS AMPLES RENSEIGNEMENTS, VEUILLEZ VISITER NOTRE SITE WEB www.KOBERangeHoods.com OU COMMUNIQUER AVEC KOBE RANGE HOODS AU (626) 775-8880.

INSTALLATION

VEUILLEZ LIRE LES INSTRUCTIONS AU COMPLET AVANT L'INSTALLATION

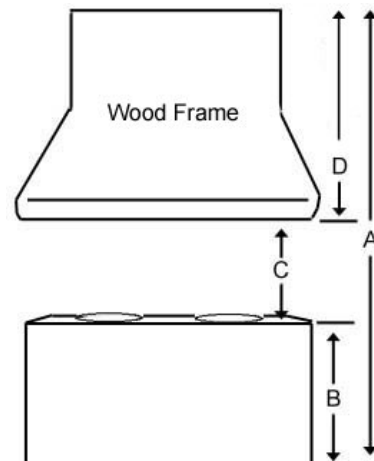
Prise de mesures avant l'installation

Pour calculer les mesures, veuillez vous référer au TABLEAU 1. (Toutes les mesures sont données en pouces).

- HOTTE INSTALLÉE SOUS UNE ARMOIRE -

TABLEAU 1

- A. = Hauteur entre le plancher et le plafond
- B. = Hauteur entre le plancher et le plan de travail (hauteur standard : 36 po)
- C. = **Hauteur désirée entre le plan de travail et le dessous de la hotte**(dégagement recommandé : de 27 po à 30 po)
- D. = Hauteur du cadre en bois



⚠️ CONSIGNES DE SÉCURITÉ

LES HOTTES PEUVENT AVOIR DES BORDS TRÈS TRANCHANTS; VEUILLEZ PORTER DES GANTS DE PROTECTION, SI NÉCESSAIRE, POUR RETIRER DES PIÈCES LORS DE L'INSTALLATION, DU NETTOYAGE, DE L'ENTRETIEN ET DES RÉPARATIONS.

NOTE : FAIRE PREUVE DE PRÉCAUTION EN UTILISANT UN TOURNEVIS ÉLECTRIQUE PUISQUE CE DERNIER RISQUE D'ENDOMMAGER LA HOTTE.

– Installation de l'insert –

Préparation avant l'installation

NOTE : AFIN DE PRÉVENIR TOUT DOMMAGE À LA HOTTE, IL FAUT EMPÊCHER LES DÉBRIS DE PÉNÉTRER DANS L'OUVERTURE DE VENTILATION.

- Choisir l'emplacement du conduit de ventilation de la hotte à l'extérieur. Voir la Figure 1.
- Un conduit court et droit permet de maximiser le rendement de la hotte.
- Essayer d'éviter autant que possible les raccords, les coudes et les longues sections de conduit, puisque ceux-ci peuvent réduire le rendement de la hotte.
- Avant de l'installer, brancher temporairement la hotte pour vérifier si son fonctionnement est adéquat.
- **Important : Enlever la pellicule protectrice de la hotte, s'il y a lieu.**
- Utiliser du ruban adhésif entoilé pour sceller les raccords entre les sections de tuyau.

⚠ AVERTISSEMENT : S'il faut déplacer la cuisinière électrique pour installer la hotte, couper d'abord l'alimentation électrique à cette cuisinière par le panneau de service. **COUPER LE GAZ AVANT DE DÉPLACER UNE CUISINIÈRE À GAZ.** Utiliser également un revêtement protecteur pour protéger la surface de cuisson et/ou le revêtement de comptoir.

Préparation de la hotte sur mesure

1. Le cadre sur mesure pour la hotte doit être dimensionné selon la taille et le poids de l'insert. Voir les mesures et schémas à la page 35.
2. La base doit être robuste (contreplaqué d'une épaisseur de ½ pouce) pour soutenir le poids de l'insert.
3. Si un revêtement supplémentaire est installé, les côtés du cadre en bois doivent être robustes (contreplaqué d'une épaisseur de ½ pouce recommandé).
4. Il est recommandé d'installer des poteaux de support arrière et avant. Voir la Figure 2. Les poteaux de support arrière et avant sont installés à 1-½ po au-dessus de la base du cadre en bois.

Installation du revêtement

5. La base du cadre en bois sur mesure doit être robuste afin de tenir compte du découpage pour l'insert. La base doit être encastrée tout en considérant la hauteur du revêtement (Voir les dimensions du revêtement à la page 36).
6. Fixer solidement le revêtement au bas de la base à l'aide des vis (non comprises) appropriées à la taille et matériaux de votre cadre en bois.
7. Positionner la section arrière du revêtement afin qu'elle soit alignée au dos du cadre en bois sur mesure. Utiliser

Figure 1

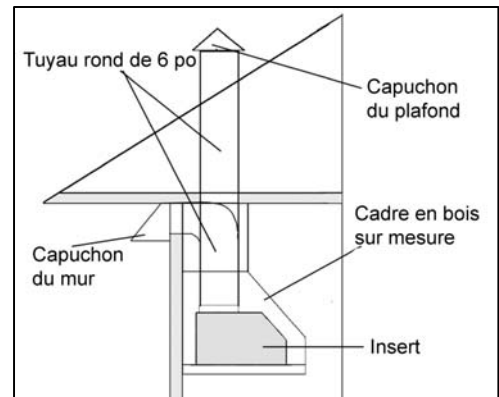


Figure 2

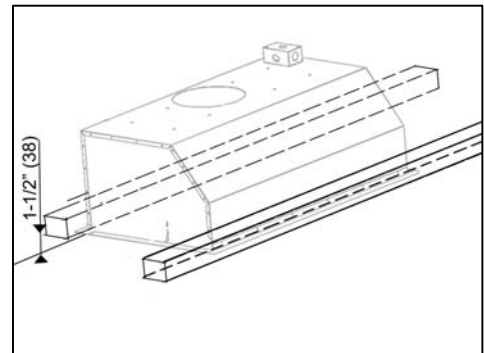
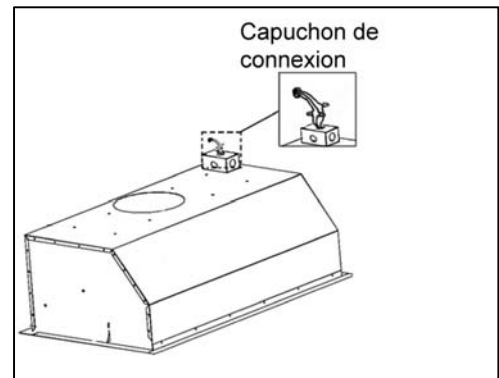


Figure 3



un stylo pour tracer les lignes de la section prédécoupée. Retirer le revêtement et poursuivre à la « Préparation de la hotte avant l'installation » à la page 28.

8. Installer le revêtement à l'aide de 5 vis (non comprises).

Branchement à l'alimentation électrique

⚠ CONSIGNES DE SÉCURITÉ

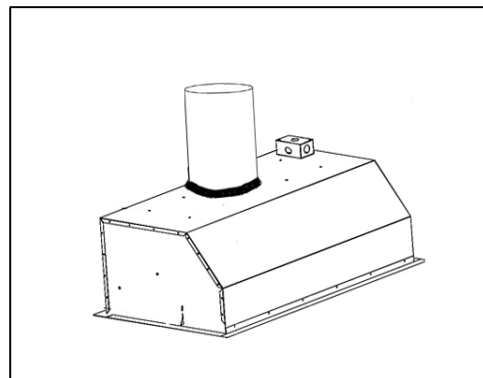
RISQUE DE CHOC ÉLECTRIQUE. CETTE HOTTE DE CUISINIÈRE DOIT ÊTRE MISE À LA TERRE ADÉQUATEMENT. CE TRAVAIL DOIT ÊTRE EXÉCUTÉ PAR UN ÉLECTRICIEN PROFESSIONNEL EN CONFORMITÉ AVEC TOUS LES CODES D'ÉLECTRICITÉ LOCAUX ET NATIONAUX QUI S'APPLIQUENT. AVANT DE BRANCHER LES FILS, COUPER LE COURANT ÉLECTRIQUE AU PANNEAU DE SERVICE ET VERROUILLER CE DERNIER POUR ÉVITER QUE LE COURANT SOIT REMIS ACCIDENTELLEMENT

9. Avant l'installation, raccorder temporairement la hotte pour vérifier son bon fonctionnement. Si l'insert ne fonctionne pas, vérifier les disjoncteurs ou les fusibles de la maison. Si l'insert ne fonctionne toujours pas, débrancher la source électrique et vérifier la continuité de toutes les connexions de câblage.
10. Raccorder les fils électriques.
11. Raccorder les trois fils (noir, blanc et vert) aux fils de la maison et couvrez-les avec des capuchons de connexion. Raccorder les fils selon la couleur (c.-à-d. noir avec noir, blanc avec blanc et vert avec vert). Voir la Figure 3.
12. Ranger les fils dans le boîtier de câblage.
13. Déterminer l'endroit approprié pour le câble d'alimentation électrique. Percer un trou d'accès de câblage au moyen d'une mèche de perceuse. Installer le fil de câblage et sceller l'espace autour du trou. Note : Raccorder tous les fils électriques avant d'installer l'insert. NE PAS alimenter avant que l'installation soit terminée.

Installation du système de conduits

14. Utiliser un tuyau d'acier de 6 po (tout en respectant les codes du bâtiment de votre secteur) pour raccorder les conduits de la hotte au réseau de gaines au-dessus. Utiliser le ruban adhésif entoilé pour sceller et fixer les raccords, tel qu'illustré à la Figure 4.
15. Veuillez vous référer aux codes locaux pour l'usage du clapet (compris). Si nécessaire, retirer le mécanisme du clapet et l'installer à titre de raccord d'échappement.

Figure 4



Préparation de la hotte avant l'installation

⚠ AVERTISSEMENT: S'il faut déplacer la cuisinière électrique pour installer la hotte, couper d'abord l'alimentation électrique à la cuisinière par le panneau de service. **COUPER LE GAZ AVANT DE DÉPLACER UNE CUISINIÈRE À GAZ.**

16. Déterminer et marquer les lignes médianes sur la base du cadre en bois où l'insert sera installé.
17. Déterminer et percer les trous nécessaires dans le mur ou le plafond pour le système de gaines. Note : Installer le système de gaines avant d'installer l'insert.
18. Couper l'ouverture où l'insert sera installé (Figure 5).

Installation de la hotte

19. Dévisser les vis de chaque côté de l'insert. Ajuster le niveau du support du caisson de la hotte selon l'épaisseur de la base (contreplaqué de 1/2 po d'épais recommandé). Serrer les vis afin de fixer solidement comme illustré à la Figure 6.
20. Installer l'insert à l'intérieur du cadre en bois sur mesure.
21. S'assurer que le support du caisson de la hotte est bien fixé avant de relâcher.
22. Pour une installation plus sécuritaire, utiliser les trous de fixation situés sur les côtés de l'insert qui se trouvent à 1-1/2 po (38 mm) au-dessus de la base de l'insert (les vis ne sont pas comprises).

⚠ AVERTISSEMENT : S'ASSURER QUE LA HOTTE EST FIXÉE SOLIDEMENT AVANT DE RELÂCHER.

Assemblage final

23. Installer les filtres d'aluminium. Insérer les filtres vers l'arrière de l'unité et pousser vers le haut.
24. Avant de relâcher, s'assurer que les filtres d'aluminium sont fixés solidement.

Figure 5

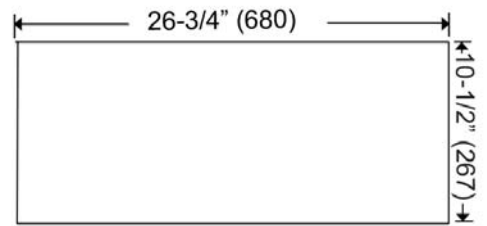


Figure 6

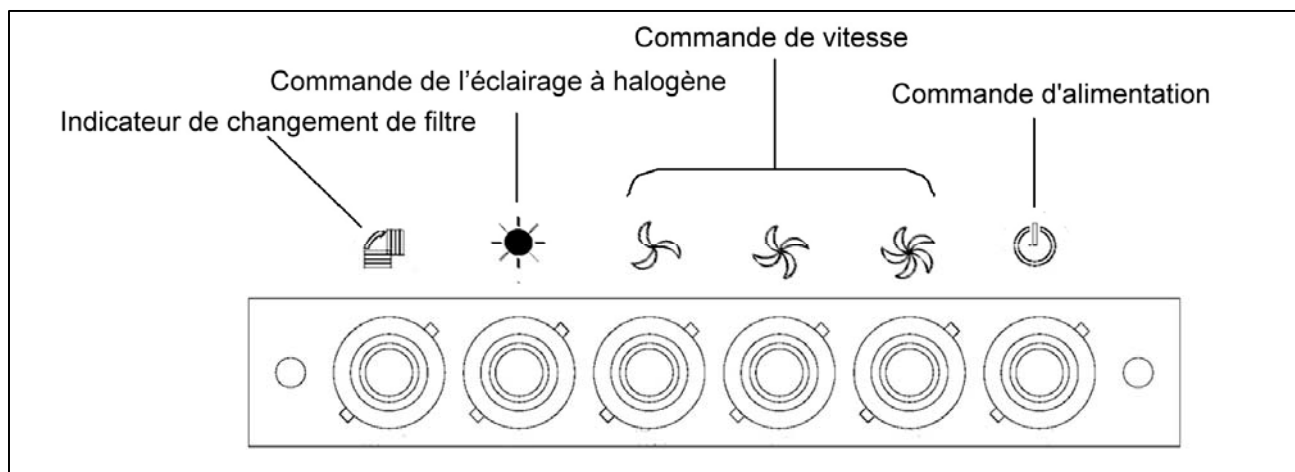


MODE D'EMPLOI

Cette hotte de cuisinière KOBE est munie d'un tableau à cinq boutons-poussoirs électroniques à DEL, un puissant ventilateur centrifuge double à aubes inclinées avec filtre en aluminium, deux lampes à halogène de 120 volts/40 watts.

Les cinq boutons de commande correspondent à la commande Marche/Arrêt (« On/Off »), la commande de vitesse (basse, moyenne, élevée) et la commande de l'éclairage. Voir la Figure 7.

Figure 7



Note : Pour de meilleurs résultats, veuillez régler la hotte au cycle QuietMode^{MC} avant toute préparation ou cuisson. Ensuite, ajuster la vitesse selon vos besoins.

Commande Marche/Arrêt

Appuyer sur le bouton de la commande Marche/Arrêt « ON/OFF » pour allumer ou éteindre la hotte.

Cette unité est munie d'un délai d'arrêt de 3 minutes. Pour activer cette fonction, appuyer une fois sur la commande Marche/Arrêt, les voyants à DEL du panneau clignotent et l'unité sera mise hors tension après 3 minutes.

Appuyer deux fois sur le bouton de la commande Marche/Arrêt pour que les ventilateurs s'arrêtent immédiatement.

Commande de vitesse

Appuyer sur le bouton de la commande de vitesse pour activer la vitesse basse, moyenne et élevée.

Commande de l'éclairage

(La commande de l'éclairage fonctionne indépendamment de la commande Marche/Arrêt « ON/OFF ». La mise hors tension n'éteint pas automatiquement les lampes.)

Appuyer sur le bouton de la commande de l'éclairage pour les allumer.

(Chaque fois que le bouton de la commande de l'éclairage est enfoncé, le cycle passé de l'intensité élevée, à basse et à éteinte « OFF »).

Indicateur de changement des filtres d'aluminium

Ce dessin indiquera le moment où le filtre d'aluminium devra être nettoyé. Enlever pour nettoyer le filtre d'aluminium.

(Pour acheter des filtres de remplacement, veuillez communiquer avec votre distributeur local KOBE ou téléphoner au 626 350-1355)

ENTRETIEN PRÉVENTIF

⚠ CONSIGNE DE SÉCURITÉ

NE JAMAIS METTRE LES MANS DANS L'AIRE ABRITANT LE VENTILATEUR ALORS QUE CELUI-CI EST EN FONCTION.

Nettoyage des surfaces de la hotte

⚠ AVERTISSEMENT : NE JAMAIS EMPLOYER DE NETTOYANTS ABRASIFS, DE LAINES D'ACIER OU DE TISSUS ABRASIFS.

Pour favoriser un rendement optimal, nettoyer régulièrement les surfaces de la hotte de ventilation et tout réflecteur/entretoise/filtre/récupérateur de graisse/récipient à graisse.

*** Un entretien fréquent aidera à conserver la belle apparence de la hotte.

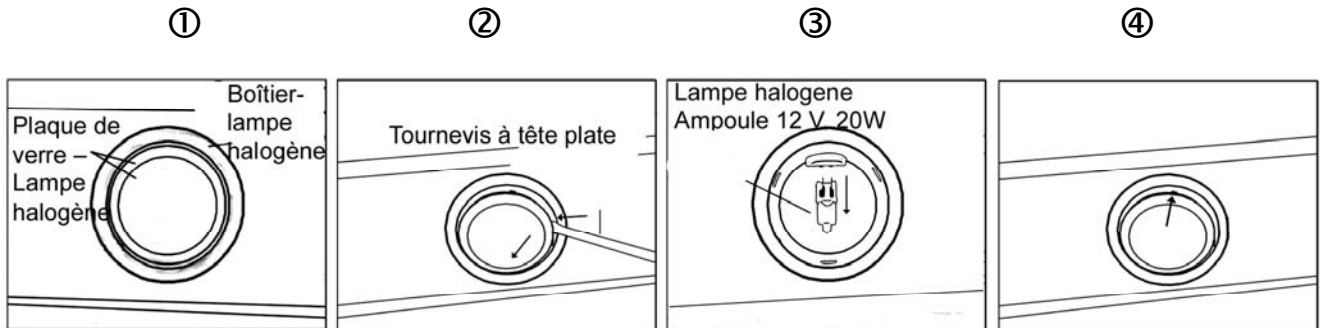
1. Utiliser seulement du savon doux ou du détergent. Sécher les surfaces avec un chiffon doux. **NE PAS UTILISER D'ESSUIE-TOUT.**
2. Si la hotte est tachée (hotte en acier inoxydable), utiliser un nettoyeur pour acier inoxydable pour nettoyer la surface de la hotte. Éviter de mettre du nettoyeur sur le panneau de commande. Suivre les directives du nettoyeur pour acier inoxydable. **Avvertissement : Ne jamais laisser de nettoyeur durant une trop longue période de temps, puisque ceci pourrait endommager la finition de la hotte.** Utiliser un chiffon doux pour enlever tout résidu de solution nettoyante, frotter légèrement toute tache tenace. Sécher la hotte avec un chiffon doux.
3. **NE PAS** laisser les dépôts s'accumuler ou rester sur la hotte.
4. **NE PAS** utiliser de laines ou de brosses à récurer ordinaires. Des particules d'acier peuvent adhérer à la surface et la faire rouiller.
5. **NE PAS** laisser des solutions salines, des désinfectants, des javellisants ou des agents nettoyants en contact avec l'acier inoxydable durant de longues périodes. Plusieurs de ces nettoyeurs contiennent des produits chimiques pouvant endommager l'acier inoxydable. Après tout contact de ce type, rincer à l'eau et essuyer avec un chiffon doux.

Pour nettoyer les filtres d'aluminium

1. Retirer tous les filtres d'aluminium.
2. Nettoyer avec de l'eau chaude savonneuse. Sécher entièrement avant de les remettre en place.

REPLACEMENT D'UNE AMPOULE

AVERTISSEMENT : LA LAMPE HALOGÈNE PEUT ÊTRE BRÛLANTE ! ATTENDRE QU'ELLE SE REFROIDISSE AVANT DE PROCÉDER.



1. S'assurer que toutes les commandes sont en mode ARRÊT et que la hotte de cuisinière est débranchée.
2. Glisser le tournevis à tête plate dans l'espace entre la plaque de verre et le boîtier de la lampe. ①
3. Retirer la plaque de verre. ②
4. En douceur, tirer sur l'ampoule défectueuse pour l'enlever et la jeter. Les ampoules à utiliser doivent être de 12 V et de 20 W au maximum. ③
5. À l'aide d'un linge, tenir la nouvelle ampoule et la pousser fermement dans la douille.
6. Remettre la plaque de verre par-dessus le boîtier. ④
7. Brancher la hotte de cuisinière pour en vérifier le fonctionnement.

SPÉCIFICATIONS

MODÈLE / FORMAT	IN2730SF
COULEUR	feuille en acier inoxydable commercial d'épaisseur 16
CONSOMMATION / AMPÈRE	240 W / 2 A
VOLTAGE	120 V – 60 Hz
NOMBRE DE MOTEURS	1
TYPE DE VENTILATEUR : CENTRIFUGE	ventilateur double à aubes inclinées horizontal
ÉVACUATION	évent rond de 7 po avec clapet
CONTRÔLE	5 boutons-poussoirs - délai d'arrêt après 3 minutes
LAMPES À HALOGÈNE	2 ampoules de 12 V, 20 W au maximum
DIMENSIONS DE LA HOTTE (LARGEUR X PROFONDEUR X HAUTEUR)	27-1/2 po x 11-3/8 po x 9-3/4 po
ACCESSOIRES EN OPTION (LARGEUR X PROFONDEUR X HAUTEUR)	revêtement : INL36211A (36 po X 21 po X 2 po)

POIDS DE LA HOTTE (lb)		NET	BRUT
	IN2730SQB	23,8	31,3
VITESSE			
Capacité d'air du ventilateur (pi ³ /min)	Basse	Moyenne	Élevée
Sone	300	380	500
dB	2,0	2,5	4,0
	50	53	60

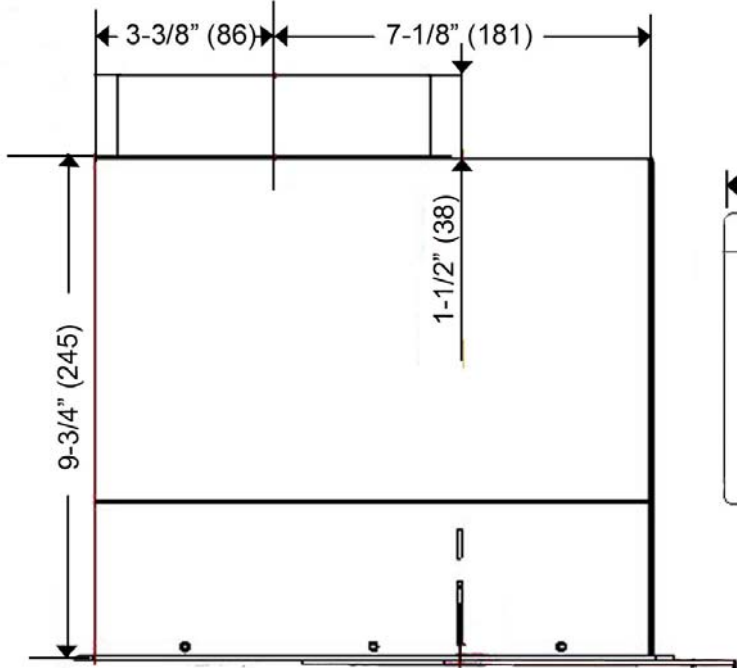
Les spécifications sont sujettes à changement sans préavis.

MESURES ET SCHÉMAS

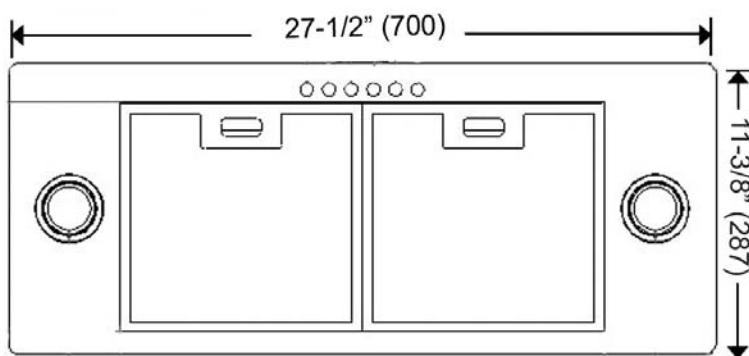
- ◆ Toutes les mesures entre parenthèses sont en millimètres
- ◆ Toutes les mesures en pouces sont converties à partir de millimètres. Les mesures sont estimées.

N° DE MODÈLE : IN2730SF

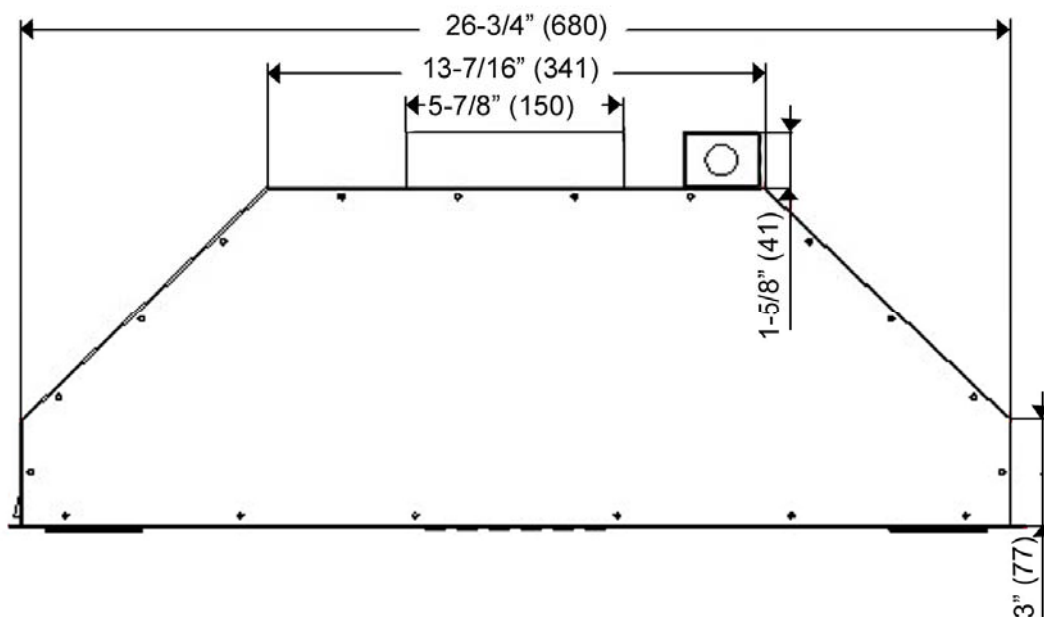
Vue de côté



Vue arrière

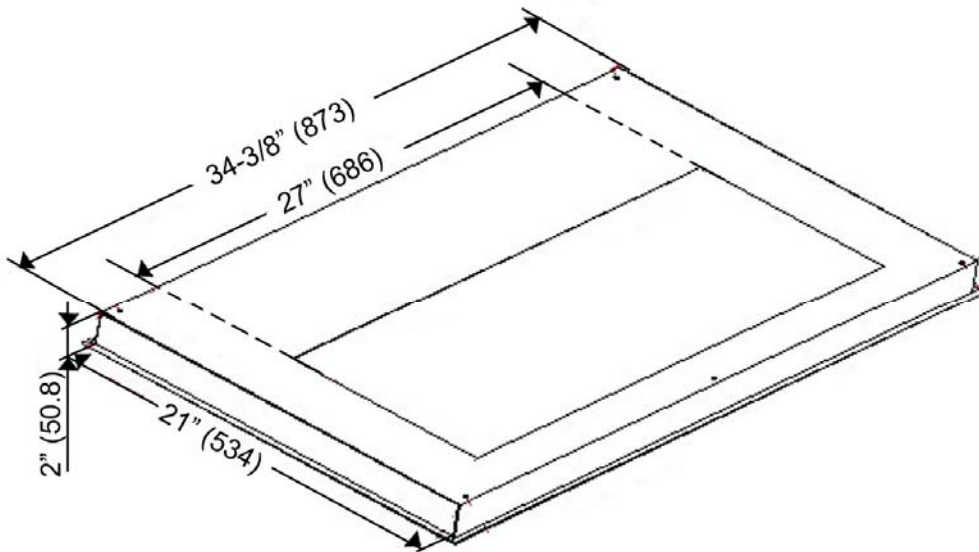


Vue avant



NOTE DE LA TRADUCTRICE : SVP REMPLACER LES GUILLEMETS PAR po ex. : $1\text{-}\frac{1}{8}\text{''}$ = 1 1/8 po

Revêtement en acier inoxydable (vendu séparément)
N° de modèle : INL36211A

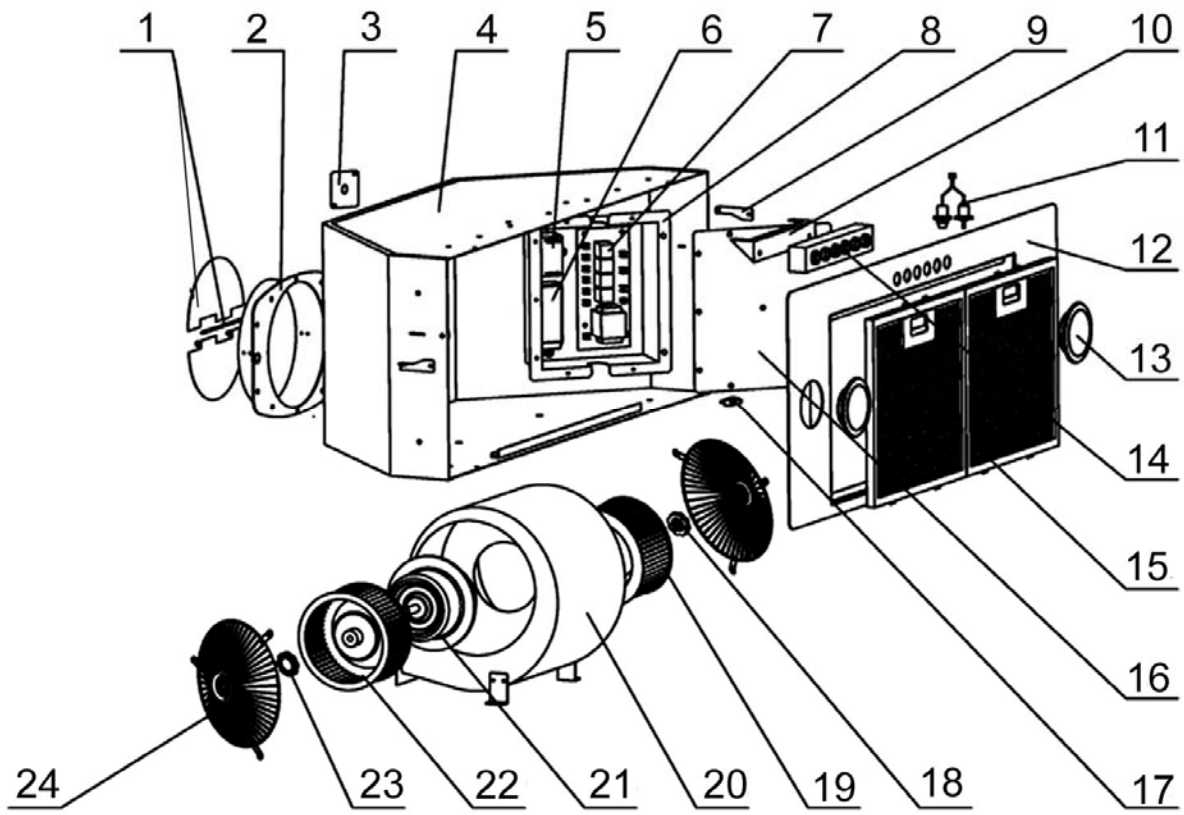


NOTE DE LA TRADUCTRICE : SVP REMPLACER LES GUILLEMETS PAR po ex. : $1\text{-}1/8'' = 1\ 1/8$ po

LISTE DES PIÈCES

N° DE MODÈLE : IN2730SF

N°	DESCRIPTION	MODÈLE/FORMAT	N° DE PIÈCE
1	Caisson de la hotte		SY-027-3-001
2	Support du caisson de la hotte		SY-027-5-002
3	Support du panneau inférieur		SY-027-3-002
4	Panneau inférieur		SY-027-5-003
5	Couvercle du ventilateur de soufflage		SY-027-3-004
6	Contre-écrou gauche		SY-027-5-051
7	Aube inclinée gauche		SY-027-5-052
8	Réservoir d'air		SY-027-5-053
9	Boîtier de la lampe à halogène		SY-027-3-003
10	Filtres en aluminium		SY-027-3-005
11	Contre-écrou droit		SY-027-5-056
12	Aube inclinée droite		SY-027-5-055
13	Moteur		SY-027-5-054
14	Capteur pour indicateur		SY-027-3-006
15	ISC (<i>Integrated Sensor Control</i>) Commande de capteur intégré		SY-027-5-058
16	Unité de commande		SY-027-3-008
17	Carte processeur		SY-027-5-074
18	Transformateur		SY-027-5-075
19	Panneau du soutien électronique		SY-027-5-016
20	Boîtier de la carte processeur		SY-027-5-031
21	Condensateur		SY-027-5-057
22	Raccord d'évacuation		SY-027-5-007
23	Boîtier de câblage		SY-027-5-009
N° de modèle			
24	Revêtement	INL36211A	



Revêtement optionnel (vendu séparément)

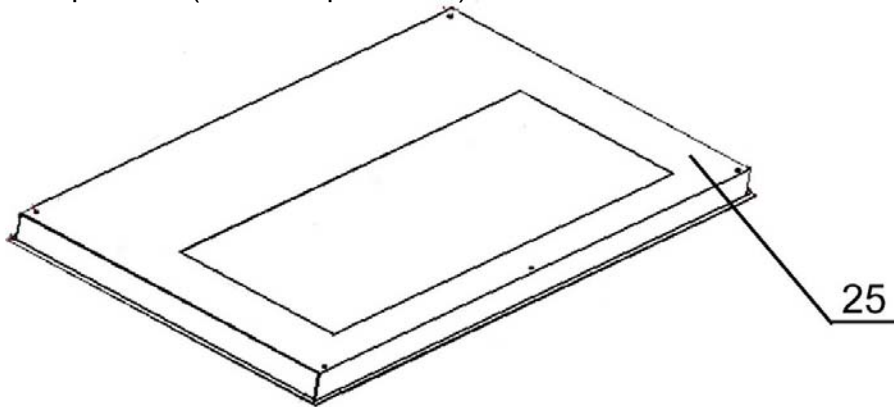


SCHÉMA DE CÂBLAGE

N° DE MODÈLE : IN2730SF

PROCESSOR BOARD - CARTE PROCESSEUR

HALOGEN LIGHT - LAMPE À HALOGÈNE

WHITE - BLANC

WHITE - BLANC

TRANSFORMER - TRANSFORMATEUR

RED - ROUGE

RED - ROUGE

CAPACITOR - CONDENSATEUR

MOTOR - MOTEUR

GREEN - VERT

WHITE - BLANC

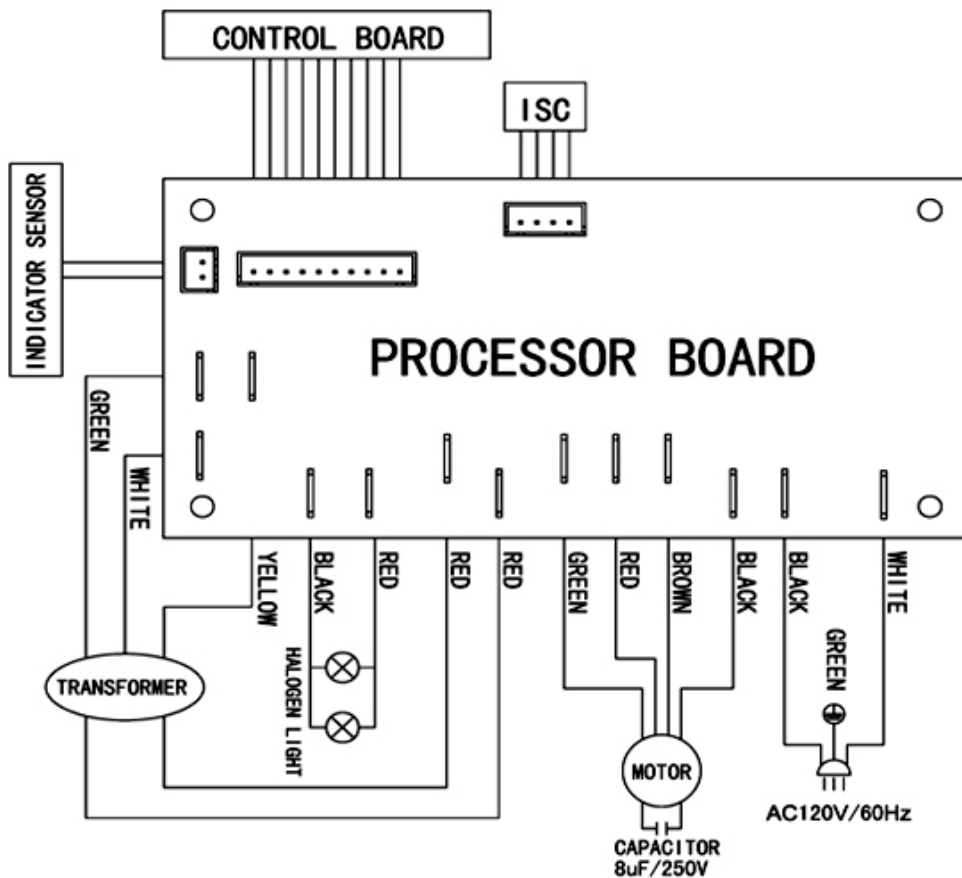
BROWN - BRUN

BLACK - NOIR

GREEN - VERT

BLACK - NOIR

WHITE - BLANC



TROUBLE SHOOTING

Problème	Cause probable	Solution
Après l'installation, les deux moteurs et les lumières ne fonctionnent pas.	Pas d'alimentation électrique. Assurez-vous que le disjoncteur et que l'alimentation électrique soient en marche.	Utilisez un voltmètre pour vérifier l'alimentation en électricité.
	Le câblage n'est pas bien installé.	Vérifiez et serrez les connexions de fils.
	Le câblage du panneau de commande et de la carte processeur est débranché.	Vérifiez le câblage au complet à partir du panneau de commande jusqu'à la carte processeur.
	Le transformateur du moteur est défectueux	Vérifiez l'entrée de courant et la sortie de courant du transformateur du moteur. Si nécessaire, remplacez le transformateur du moteur.
	Le panneau de commande ou la carte processeur est défectueux.	Remplacez le panneau de commande ou la carte processeur.
Les lumières fonctionnent, mais pas le(s) moteur(s).	Le(s) moteur(s) est (sont) défectueux.	Remplacez le(s) moteur(s).
	Le(s) condensateur(s) est (sont) défectueux.	Remplacez le(s) condensateur(s).
	Le panneau de commande ou la carte processeur est défectueux.	Remplacez le panneau de commande ou la carte processeur.
La hotte de cuisine vibre.	Le système de ventilation n'est pas bien installé.	Serrez la pale turbine/cage d'écureuil et le réservoir d'air.
	La pale turbine/cage écureuil n'est pas bien balancée.	Remplacez la pale turbine/cage d'écureuil.
	La hotte n'est pas assez bien serrée.	Vérifiez l'installation de la hotte, serrez le support de fixation.
Le moteur fonctionne, mais pas les lumières.	L'ampoule de la lampe halogène est défectueuse.	Essayez l'ampoule de lampe défectueuse sur une douille qui fonctionne. Si l'ampoule ne fonctionne toujours pas, remplacez-la.
	Le câblage de la lampe n'est pas assez serré.	Vérifiez le câblage au complet à partir de la carte processeur jusqu'au transformateur puis jusqu'au boîtier.
	Le transformateur de la lumière est défectueux.	Vérifiez l'entrée de courant et la sortie de courant du transformateur de lampe. Si nécessaire, remplacez le transformateur de lampe.
	Le panneau de commande ou la carte processeur est défectueux.	Remplacez le panneau de commande ou la carte processeur.
La hotte de cuisine ne ventile pas correctement.	La hotte de cuisine est installée hors des limites recommandées par le fabricant.	Ajustez le dégagement entre la hotte de cuisine et la table de cuisson pour qu'il soit de 27" à 30". Pour une hotte de cuisinière sur îlot, le dégagement entre la hotte de cuisine et la table de cuisson est de 30" à 36".
	Il n'y a pas d'air d'appoint à l'intérieur de la maison.	Ouvrez la fenêtre pour améliorer la performance de la hotte en créant suffisamment d'air d'appoint.
	Un obstacle bloque la canalisation.	Enlevez tous les obstacles de la canalisation.
	La canalisation est plus petite que la canalisation suggérée.	Changez la canalisation en accord avec les suggestions du fabricant.
De l'air froid entre dans la maison.	La connexion du conduit n'est pas scellée correctement.	Vérifiez l'installation du conduit.
	Le clapet n'est pas bien installé ou manque à l'installation.	Vérifiez l'installation du clapet.
	Le clapet n'est pas installé.	En installant le clapet, vous aiderez à éliminer le retour d'air.

AVIS DE NON-RESPONSABILITÉ

- 1) **INSPECTER ATTENTIVEMENT TOUS LES ARTICLES POUR DÉCELER TOUT DOMMAGE, S'IL Y A LIEU, AVANT D'ACCEPTER LA LIVRAISON. NOTER TOUT DOMMAGE SUR LA FACTURE DE TRANSPORT OU LE CONNAISSEMENT. EXIGER LE NOM ET LA SIGNATURE DE L'EMPLOYÉ DU TRANSPORTEUR ET CONSERVER UNE COPIE COMME PIÈCE JUSTIFICATIVE DE LA RÉCLAMATION.**

Sur acceptation des articles, le propriétaire assume la responsabilité de l'état dans lequel se trouvent les articles à la livraison. Les dommages doivent être déclarés au transporteur et une réclamation doit être déposée à défaut de quoi le transporteur pourrait refuser d'honorer la réclamation. Le transporteur fournira les formulaires nécessaires pour effectuer une réclamation. **LES DOMMAGES CAUSÉS DURANT LE TRANSPORT NE SONT PAS COUVERTS PAR NOTRE GARANTIE.**

- 2) **PRIÈRE DE BIEN VÉRIFIER LE CONTENU DE L'EMBALLAGE (DES EMBALLAGES) À LA RÉCEPTION !** Vous devez nous aviser par écrit de tout dommage ou de toute pièce manquante à l'intérieur du délai alloué à partir de la réception de la marchandise. Communiquer avec votre représentant ou distributeur local de KOBE ou appeler chez KOBE pour connaître le délai alloué. **LES RÉCLAMATIONS QUI NOUS PARVIENDRONT APRÈS LE DÉLAI ALLOUÉ SERONT REFUSÉES.**

NOTE: TOUS LES ARTICLES ONT ÉTÉ MIS À L'ESSAI MINUTIEUSEMENT ET EMBALLÉS AVEC SOIN À NOTRE USINE.

- 3) Les produits doivent être retournés en bonne condition de fonctionnement avec TOUTES les pièces d'origine et la documentation et dans TOUS les emballages d'origine (boîtes de carton et matériel de remplissage). Des frais de reconstitution de stocks de 25 % seront facturés pour tous les retours autorisés.

LES ÉCHANGES OU LES RETOURS PEUVENT ÊTRE REFUSÉS SI UNE PARTIE DE L'EMBALLAGE EST MANQUANTE.

- 4) **INSPECTER AVEC SOIN LA HOTTE POUR DÉCELER TOUT DOMMAGE OU DÉFAUT AVANT L'INSTALLATION.** Les défauts dans l'apparence de la hotte décelés après l'installation et n'ayant aucune incidence sur son rendement ne sont pas couverts par notre garantie et ne peuvent constituer une raison valable pour un retour ou un échange. Des frais seront facturés pour les appels de service non couverts par notre garantie.

A. Avant l'installation : retour pour échange ou remboursement (veuillez voir plus haut les raisons valables pour un retour).

B. Après l'installation : **AUCUN** échange ou remboursement.

GARANTIE

CERTIFICAT DE GARANTIE

Tous les produits fabriqués ou fournis par KOBE Range Hoods sont garantis contre tout défaut de fabrication et de matière première. Les obligations du fabricant dans le cadre de la présente garantie sont limitées à une période de deux (2) ans à partir de la date d'achat et à la réparation ou au remplacement, à sa discrétion, conformément aux modalités et conditions énoncées plus bas, de tout composant qu'il jugera défectueux après examen.

PÉRIODE DE GARANTIE DE DEUX (2) ANS

Toute défaillance couverte par la garantie se produisant dans les deux (2) ans à compter de la date d'achat d'origine et découlant d'une fabrication ou d'une matière première défectueuse sera réparée (ou, à notre discrétion, l'appareil pourra être remplacé), sans frais, par un agent autorisé de KOBE Range Hoods ou par KOBE Range Hoods selon le cas. Conservez votre preuve d'achat (ou facture d'origine) pour inspection.

Si la hotte de cuisinière est vendue par l'acheteur d'origine au cours de la période de garantie, le nouveau propriétaire sera protégé jusqu'à l'expiration de la garantie de l'acheteur d'origine.

CONDITIONS

Les conditions suivantes s'appliquent seulement en relation avec la garantie accordée expressément par le présent certificat.

- 1) La présente garantie est valide uniquement :
 - a) aux États-Unis et au Canada;
 - b) si la hotte de cuisinière est utilisée pour un USAGE FAMILIAL UNIQUE (si la hotte sert à un USAGE COMMERCIAL OU À PLUSIEURS FAMILLES OU À D'AUTRES FINS, la garantie sera nulle et non avenue).
- 2) La réparation de tout défaut couvert par la présente garantie ne sera pas couverte :
 - a) si le numéro d'identification de la hotte a été altéré, rendu illisible ou enlevé;
 - b) si le défaut n'a pas été déclaré au cours de la période de garantie applicable;
 - c) dans le cas de défectuosité des ampoules ou des lampes à rayons infrarouges;
 - d) dans le cas de tout dommage physique;
 - e) pour des surfaces endommagées par l'utilisation de produits nettoyants inappropriés;
 - f) si l'appareil a été:
 - i). soumis à un mauvais usage, un abus, une négligence, un accident, une installation inadéquate ou si les instructions du mode d'emploi n'ont pas été respectées;
 - ii). branché à une alimentation électrique ou à des conduits d'évacuation inappropriés, inadéquats ou défectueux ou opéré avec l'emploi de lubrifiants inadéquats ou contaminés;
 - iii). installé, entretenu ou opéré autrement qu'en conformité avec les instructions fournies par KOBE Range Hoods, Inc. incluant l'utilisation inappropriée de détergents, javellisants ou nettoyants.
 - g) pour tout dommage à la hotte durant le transport, la livraison, l'installation ou l'enlèvement ;
 - h) pour tout dommage résultant d'un essai de réparation effectué par une autre personne que par un technicien de service autorisé par KOBE.
 - i) le bruit ou la vibration causé par une installation inappropriée de la hotte de ventilation et/ou du clapet.

- 3) L'acheteur sera responsable de tous les frais requis pour rendre la hotte facilement accessible au service et, lorsque la hotte est installée à l'extérieur du territoire de ventes principal du détaillant ou du territoire de service de l'agent autorisé de KOBE Range Hoods le plus près, selon le cas, de tous les frais de déplacement et de tous les frais de transport de la hotte ou de pièces de celle-ci jusqu'au détaillant ou au technicien de service (aller-retour).
- 4) L'acheteur doit fournir la preuve d'achat de même que le présent certificat de garantie au moment de faire une réclamation.
- 5) Les dommages causés durant l'expédition ne sont pas couverts sous la présente garantie.

DOMMAGES INDIRECTS

KOBE Range Hoods, Inc. ne sera pas tenue responsable des dommages indirects. CERTAINS ÉTATS ET CERTAINES PROVINCES NE PERMETTENT PAS L'EXCLUSION DES DOMMAGES INDIRECTS. EN CONSÉQUENCE, LA PRÉSENTE EXCLUSION PEUT NE PAS S'APPLIQUER DANS VOTRE CAS.

GARANTIES TACITES / RÉGLEMENTATION

Toutes les garanties tacites, incluant la garantie implicite de qualité marchande et de pertinence dans un but particulier, imposées par la réglementation de l'état ou de la province d'achat, sont limitées à une durée de deux (2) ans à compter de la date d'achat d'origine. Certains états ou provinces ne permettent pas les limitations ayant trait à la durée d'une garantie tacite. La présente garantie vous donne des droits légaux précis et vous pouvez avoir d'autres droits pouvant varier d'un état à l'autre ou d'une province à l'autre.

SERVICE

Pour obtenir du service :

KOBE Range Hoods
11775 Clark Street
Arcadia, CA 91006
U.S.A

Tél. : 1-877-BUY-KOBE (1-877-289-5623)

Courriel : customer.service@KOBERangeHoods.com

Site Web : www.KOBERangeHoods.com

ENREGISTREMENT DU PRODUIT

Enregistrez votre produit !

Toute défaillance couverte par la garantie se produisant dans les deux ans à compter de la date d'achat d'origine et découlant d'une fabrication ou d'une matière première défectueuse sera réparée ou, à notre discrétion, l'appareil pourra être remplacé, sans frais, par un agent autorisé de KOBE Range Hoods ou par KOBE Range Hoods selon le cas. Conservez votre preuve d'achat (ou facture d'origine) pour inspection.

Si la hotte de cuisinière est vendue par l'acheteur d'origine au cours de la période de garantie, le nouveau propriétaire sera protégé jusqu'à l'expiration de la garantie de l'acheteur d'origine. Voir le certificat de garantie pour la couverture complète de la garantie.

Cet appareil a été fabriqué, mis à l'essai et inspecté conformément aux normes exigées par KOBE Range Hoods, Inc.

SVP, POSTER VOTRE FICHE D'ENREGISTREMENT DE PRODUIT AVEC VOTRE PREUVE D'ACHAT À :

KOBE Range Hoods
Warranty Registration
11775 Clark Street
Arcadia, CA 91006

INSCRIRE LES RENSEIGNEMENTS SUIVANTS POUR NOS DOSSIERS :

N° de modèle _____

N° de série _____

Date d'achat ____ / ____ / ____

Nom et adresse du détaillant :

IMPORTANT : VEUILLEZ AVOIR EN MAIN UNE COPIE DE VOTRE FACTURE LORSQUE VOUS EFFECTUEZ UN APPEL DE SERVICE.

[SPANISH]

- LEA Y CONSERVE ESTAS INSTRUCCIONES -

ÍNDICE

INSTRUCCIONES IMPORTANTES DE SEGURIDAD	46
COMPONENTES DEL PAQUETE	48
INSTALACIÓN	49
INSTRUCCIONES DE OPERACIÓN	53
MANTENIMIENTO	54
ESPECIFICACIONES	56
MEDIDAS Y DIAGRAMAS	57
LISTADO DE PIEZAS	59
DIAGRAMA DE CIRCUITO	61
INSTRUCCIONES IMPORTANTES DE SEGURIDAD	62
CLÁUSULA DE EXENCIÓN	63
GARANTÍA	64
REGISTRO DEL PRODUCTO	66

- LEA CUIDADOSAMENTE TODAS LAS INSTRUCCIONES ANTES DE
COMENZAR -

TODO EL CABLEADO DEBERÁ REALIZARSE POR UN PROFESIONAL Y
DE ACUERDO CON TODOS LOS CÓDIGOS ELÉCTRICOS NACIONALES Y
LOCALES



INSTRUCCIONES IMPORTANTES DE SEGURIDAD

- POR FAVOR, LEA CUIDADOSAMENTE ESTA SECCIÓN ANTES DE INSTALAR -

⚠️ ADVERTENCIA: PARA REDUCIR EL RIESGO DE INCENDIO, ELECTROCUCIÓN O LESIÓN PERSONAL, TOMA EN CUENTA LO SIGUIENTE:

- 1) La instalación y el cableado eléctrico deberán realizarse por profesionales calificados y de acuerdo con todos los códigos y estándares correspondientes, incluyendo los códigos y normas sobre la construcción para prevenir incendios.
- 2) Al cortar o perforar una pared o techo, tenga cuidado de no dañar el cableado eléctrico u otras instalaciones de servicios ocultas.
- 3) Los ventiladores con conductos deberán tener una ventilación hacia el exterior.
 - a) Antes de darle servicio o limpiar la unidad, abra el panel de la luz y **DESCONECTE EL SUMINISTRO ELÉCTRICO EN EL PANEL DE SERVICIO.**
 - b) Limpie frecuentemente las superficies saturadas con grasa. Para reducir el riesgo de incendio y para dispersar el aire adecuadamente, asegúrese de ventilar el aire al exterior. **NO ventile el aire del escape en espacios cerrados entre paredes, áticos, espacios de acceso debajo de pisos o garajes.**

- NOTA:
- Esta garantía no es válida sin un recibo de un agente autorizado o si la unidad se ha dañado debido al maltrato, mala instalación, uso inadecuado, abuso, negligencia o cualquier otra circunstancia que se encuentre fuera del control de los agentes autorizados de **KOBE RANGE HOODS**. Cualquier reparación que se realice sin la supervisión de los agentes autorizados de **KOBE RANGE HOODS** anulará la garantía automáticamente.
 - **KOBE RANGE HOODS** no se hará responsable por cualquier daño a la propiedad personal o inmobiliario ni por las lesiones físicas que se hayan causado ya sea directa o indirectamente por la campana de extracción.

⚠️ ADVERTENCIA: PARA REDUCIR EL RIESGO QUE OCURRAN LESIONES PERSONALES EN CASO DE UN INCENDIO CAUSADO POR LA GRASA ACUMULADA EN LAS HORNILLAS DE LA ESTUFA:

- Mantenga limpios todos los ventiladores, deflectores/separadores/filtros/conductos de aceite/recipientes para aceite y las superficies saturadas con grasa. No deberá permitirse que la grasa se acumule en el ventilador, deflector/separador/filtro/conducto de aceite/ recipiente para aceite.
- Siempre **ENCIENDA** el extractor cuando cocine.
- Utilice las configuraciones altas en la estufa **SOLAMENTE** cuando sea necesario.
- No deje la estufa sin supervisión mientras esté cocinando.
- Siempre utilice utensilios de cocina adecuados para el tipo y cantidad de alimentos que prepara.
- Utilice esta unidad únicamente de la manera en que fue diseñada por el fabricante.
- Antes de darle servicio, desconecte el suministro eléctrico en el panel de servicio y cierre bajo llave el panel de servicio (de ser posible) para prevenir que la unidad se encienda accidentalmente.
- Limpie el ventilador con frecuencia.

Qué Hacer en Caso de Un Incendio Causado por la Grasa Acumulada en las Hornillas de la Estufa

- SOFOQUE LAS LLAMAS con una tapadera, una bandeja para hornear galletas o una bandeja de metal que quede bien ajustada y luego apague la hornilla. MANTENGA TODO EL MATERIAL INFLAMABLE O COMBUSTIBLE LEJOS DE LAS LLAMAS. Si las llamas no se apagan inmediatamente, EVACUE EL ÁREA Y LLAME AL DEPARTAMENTO DE BOMBEROS o al 911.
- NUNCA LEVANTE UN SARTÉN QUE SE ESTÉ QUEMANDO – Usted Podría Quemarse.
- NO UTILICE AGUA, incluyendo paños o toallas mojadas - esto resultará en una explosión violenta de vapor.
- Utilice un extinguidor SOLO si:
 - a) Cuenta con un extinguidor Clase A, B, C y sabe cómo utilizarlo.
 - b) El incendio es pequeño y se ha contenido en el área en donde comenzó.
 - c) Ha llamado al departamento de bomberos.
 - d) Puede combatir el incendio con su espalda dirigida hacia una salida.

Qué Hacer si Siente Olor a Gas

- Apague cualquier llama abierta.
- No intente encender las luces o cualquier otro tipo de aparato.
- Abra todas las puertas y ventanas para dispersar el gas. Si aún así siente olor a gas, llame a la Compañía de Gas y al Departamento de Bomberos inmediatamente.

⚠ PRECAUCIÓN

- 1) Solamente para ventilación general. No utilizar para eliminar materiales y vapores peligrosos o explosivos.
- 2) Para reducir el peligro de incendio, utilice solamente una red de conductos metálicos. Necesita aire suficiente para la combustión y eliminación de gases por medio del conducto de ventilación (chimenea) para prevenir la explosión de flujo de aire en retroceso.
- 3) Siga las directrices y estándares de seguridad del fabricante del equipo de calefacción, tales como aquellos publicados por la Asociación de Protección contra Incendios (National Fire Protection Association – NFPA) y la Sociedad Americana de Ingenieros en Calefacción, Refrigeración y Aire Acondicionado (American Society for Heating, Refrigeration and Air Conditioning Engineers – ASHRAE) y las autoridades normativas.
- 4) Activar cualquier interruptor podría causar una explosión o ignición.
- 5) Debido al tamaño y peso de esta campana de extracción, se recomienda que la instalación sea realizada por dos personas.

⚠ ADVERTENCIA



RIESGO DE ELECTROCUCIÓN – Puede resultar en lesiones serias o la muerte. Desconecte el aparato del suministro eléctrico antes de darle servicio. Si estuviera equipado con éste, el foco fluorescente debido a que contiene pequeñas cantidades de mercurio, deberá reciclarse o desecharse según los Códigos Locales, Estatales y Federales.

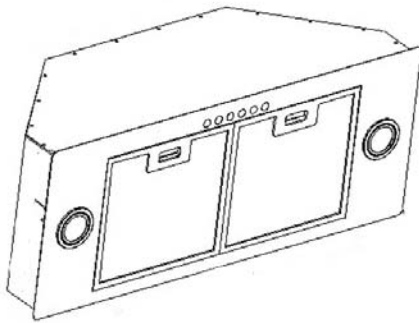
COMPONENTES DEL PAQUETE

(Debe conservar todo el material en caso de devolverlo o solicitar un reembolso)

Caja de Campana de Extracción

- {A} Campana de Extracción KOBE
- {B} Tarjeta de Registro para Garantía
- {C} Manual de Instrucciones
- {D} Filtro de Aluminio - 2

{A}



{B}

WARRANTY REGISTRATION CARD	
NAME (Last, First, Middle Initial)	DATE OF PURCHASE
ADDRESS	PHONE
CITY	STATE
ZIP CODE	ZIP CODE
MODEL NO.	MODEL NO.
<p>PLEASE PRINT OR TYPE FOR THIS RECORD</p> <p>WARRANTY: This is the warranty registration card and part of a permanent record maintained by KOBE. It is important that you fill in this information and return this card to KOBE immediately after purchase of a KOBE Range Hood.</p> <p>KOBE RANGE HOODS</p> <p>THIS APPLIANCE HAS BEEN MANUFACTURED, TESTED AND INSPECTED TO THE STANDARDS ESTABLISHED BY KOBE RANGE HOODS.</p> <p>MODEL NO. _____</p> <p>DATE OF PURCHASE _____</p> <p>NAME _____</p> <p>ADDRESS _____</p> <p>CITY _____ STATE _____ ZIP CODE _____</p> <p>PHONE _____</p> <p>IF YOU HAVE ANY QUESTIONS, PLEASE CONTACT OUR CUSTOMER SERVICE AT 1-800-888-8888 OR VISIT OUR WEBSITE AT www.koberangehoods.com</p>	

{C}

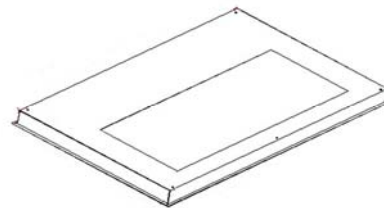


{D}



Cubierta (Vendida por Separado)

- {E} Cubierta



- PARA OBTENER MÁS INFORMACIÓN, POR FAVOR VISITE NUESTRO SITIO DE INTERNET www.KOBERangeHoods.com O CONTACTE A KOBE RANGE HOODS AL (626) 775-8880.

INSTALACIÓN

POR FAVOR, LEA LAS INSTRUCCIONES COMPLETAMENTE ANTES DE CONTINUAR

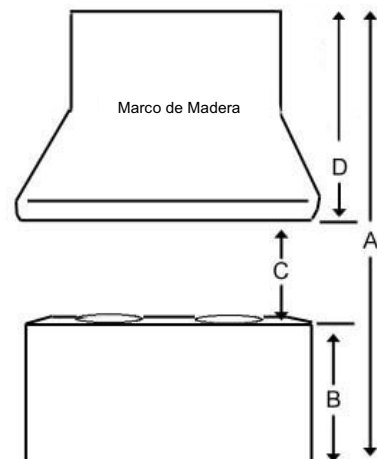
Cálculo antes de la Instalación

Para realizar el cálculo para la instalación, por favor consulte la TABLA 1. (Todos los cálculos están hechos en pulgadas).

-PARA INSTALACIÓN DEBAJO DE UN GABINETE-

TABLA 1

- A = Altura del Piso al Techo
B = Altura del Piso a la Superficie del Mostrador (Estándar: 36")
C = **Altura de la Superficie del Mostrador a la Parte Inferior del Marco de Madera (Se recomienda de 27" a 30")**
D = Altura del Marco de Madera



⚠️ ADVERTENCIA DE SEGURIDAD

LA CAMPANA PODRÍA TENER EXTREMOS SUMAMENTE FILOSOS; FAVOR DE UTILIZAR GANTES PROTECTORES SI VA A RETIRAR CUALQUIER PIEZA PARA INSTALAR, LIMPIAR O DARLE SERVICIO.

NOTA: TENGA MUCHO CUIDADO AL UTILIZAR UN DESTORNILLADOR ELÉCTRICO; PODRÍA CAUSAR DAÑOS A LA CAMPANA.

- Para la Instalación del Inserto -

Preparación Antes de la Instalación

NOTA: PARA EVITAR CAUSAR DAÑOS A SU CAMPANA, EVITE QUE DESECHOS PENETREN EN LA RENDIJA DE VENTILACIÓN

- Decida la ubicación para colocar el conducto de ventilación de la campana hacia el exterior. Consulte la Figura 1.
- Un ducto de escape recto y corto permitirá que la campana trabaje con más eficiencia.
- Intente evitar tantas conexiones, codos y ductos largos como sea posible. Esto podría reducir el rendimiento de la campana.
- Antes de instalar, conecte temporalmente la campana para verificar que funcione adecuadamente.
- **Importante: Retire la película protectora de la campana, si hubiera alguna.**
- Utilice cinta de aislar (duct tape) para sellar las uniones entre las secciones de los conductos.

⚠ PRECAUCIÓN: Si es necesario mover la estufa para poder instalar la campana, desconecte el suministro eléctrico de la estufa eléctrica desde la caja eléctrica principal. **CIERRE EL GAS ANTES DE MOVER UNA ESTUFA DE GAS.** Y utilice una cubierta protectora para prevenir que las hornillas y/o la superficie del mostrador se dañen.



Preparación de la Campana Personalizada

1. El marco de la campana personalizada deberá medirse según la forma y peso del inserto. Consulte las Medidas y Diagramas en la Página 57.
2. Deberá tener una base sólida (se recomienda madera contrachapada de 1/2 pulgada de grueso) para sostener el peso del inserto.
3. Si se instalará una cubierta opcional, los lados del gabinete de madera deberán ser sólidos (se recomienda madera contrachapada de 1/2 de grueso)
4. Se recomienda la instalación de un montante soporte posterior y delantero. Consulte la figura 2. Los montantes están colocados a 1-1/2" de abajo para arriba de la base del marco de madera.

Instalación de la Cubierta

5. La campana de madera/personalizada deberá tener una base sólida para poder colocar el recorte del inserto. La base deberá estar sumida para acomodar la altura de la cubierta (Ver las dimensiones de la cubierta en la Página 58).
6. Fije la cubierta en la parte inferior de la base utilizando

Figura 1

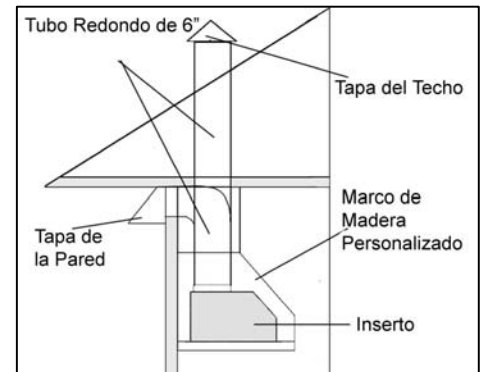


Figura 2

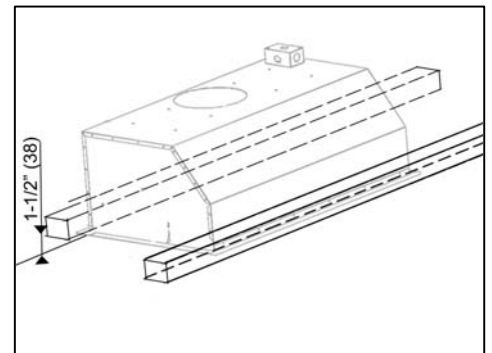
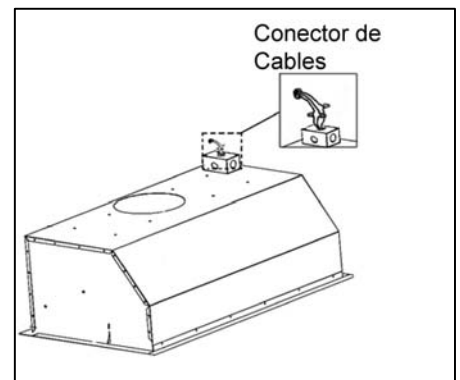


Figura 3



tomillos (no incluidos) adecuados para el tamaño y material del marco de madera.

7. Coloque la sección posterior de la cubierta de manera que quede alineada con el extremo posterior del marco de madera personalizado. Utilice un bolígrafo para trazar el contorno del área precortada. Remueva la cubierta y continúe con la Preparación de la Campana Antes de la Instalación en la Página 50.
8. Instale la cubierta utilizando 5 tornillos (no proporcionados).

Cableado Hacia la Fuente de Alimentación

⚠️ ADVERTENCIA DE SEGURIDAD

RIESGO DE ELECTROCUCIÓN. ESTA CAMPANA DE EXTRACCIÓN DEBERÁ TENER UNA CONEXIÓN A TIERRA ADECUADA. ASEGÚRESE QUE ESTO SE REALICE POR UN ELECTRICISTA CALIFICADO Y DE ACUERDO CON TODOS LOS CÓDIGOS ELÉCTRICOS NACIONALES Y LOCALES CORRESPONDIENTES. ANTES DE CONECTAR LOS CABLES, DESCONECTE EL SUMINISTRO ELÉCTRICO EN EL PANEL DE SERVICIO Y CIERRE BAJO LLAVE EL PANEL PARA PREVENIR QUE LA UNIDAD SE ENCIENDA ACCIDENTALMENTE.

9. Antes de instalar, conecte temporalmente la campana para verificar que funcione adecuadamente. Si el inserto no funcionara, revise el interruptor de circuito o los fusibles de la casa. Si aún así el inserto no funcionara, desconecte el suministro eléctrico y verifique la continuidad de todo el cableado.
10. Conecte los cables eléctricos.
11. Conecte tres cables (negro, blanco y verde) con los cables de la casa y tape con conectores de cables. Conecte los cables según su color (por ejemplo, negro con negro, blanco con blanco y verde con verde). Ver Figura 3.
12. Guarde los cables en la caja del cableado.
13. Determine la ubicación adecuada para el Cable de Alimentación. Haga un orificio de acceso para el cableado utilizando una broca. Instale el cable y selle el espacio alrededor de orificio. Nota: Conecte todos los cables eléctricos antes de instalar el inserto. NO encienda la electricidad hasta que haya terminado con la instalación.

Instalación de la Red de Conductos

14. Utilice un tubo de acero de 6" (según las leyes de construcción en su área) para conectar los ductos de la campana con la red de conductos arriba. Utilice cinta de aislar (duct tape) para sellar las uniones según se muestra en la Figura 4.
15. Por favor, consulte las leyes locales respecto a la utilización del regulador (incluido). De ser necesario, remueva el mecanismo regulador e instale como un conector del escape.

Figura 4

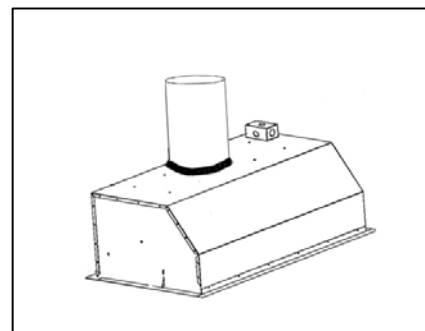
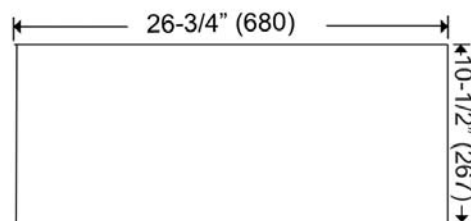


Figura 5



Preparación de la Campana antes de la Instalación

⚠ PRECAUCIÓN: Si es necesario mover la estufa para poder instalar la campana, desconecte el suministro eléctrico de la estufa eléctrica desde la caja eléctrica principal. **CIERRE EL GAS ANTES DE MOVER UNA ESTUFA DE GAS.**

16. Determine y marque las líneas de centro en la base del marco de madera en donde se instalará el inserto.
17. Determine y haga todos los cortes necesarios en la pared o techo para los conductos. Nota: Instale la red de conductos antes de instalar el inserto.
18. Corte la abertura en donde se instalará el inserto. (Figura 5)

Instalación de la Campana

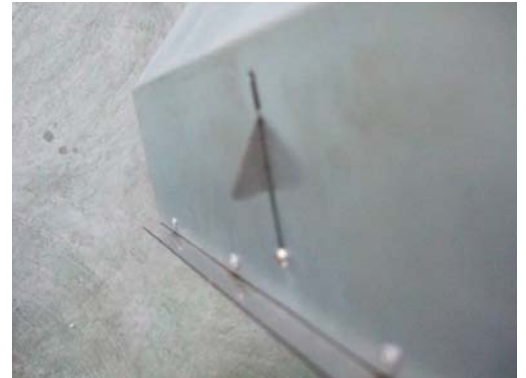
19. Remueva los tornillos ubicados en cada uno de los lados del inserto. Ajuste el nivel del soporte de la carcasa de la campana de acuerdo con el grosor de la base (se recomienda madera contrachapada de 1/2 de grueso). Apriete los tornillos para fijar como se muestra en la Figura 6.
20. Instale el inserto dentro del marco de madera personalizado.
21. Asegúrese que el soporte de la carcasa de la campana esté bien sujeto antes de soltarlo.
22. Para lograr una instalación más segura, utilice los agujeros de montaje para soporte posterior ubicados a 1-1/2" (38mm) desde la base del inserto (tornillos no incluidos).

⚠ PRECAUCIÓN: ASEGÚRESE QUE LA CAMPANA ESTE BIEN SUJETA ANTES DE SOLTARLA.

Ensamblaje Final

23. Instale los Filtros de Aluminio Inserte los filtros hacia la parte posterior de la unidad y empújelos hacia arriba.
24. Asegúrese que los Filtros de Aluminio estén bien sujetos antes de soltarlos.

Figura 6



INSTRUCCIONES DE OPERACIÓN

Esta campana de extracción KOBE está equipada con cinco botones electrónicos con indicadores LED, jaulas de ardilla dobles centrífugas poderosas con filtro de aluminio y dos focos brillantes de halógeno de 12-voltios/20vatios.

Los cinco botones de control son: Control Encendido/Apagado, Control de Velocidad (Alta, Media y Baja) y Control de Luz. Consulte la Figura 7.

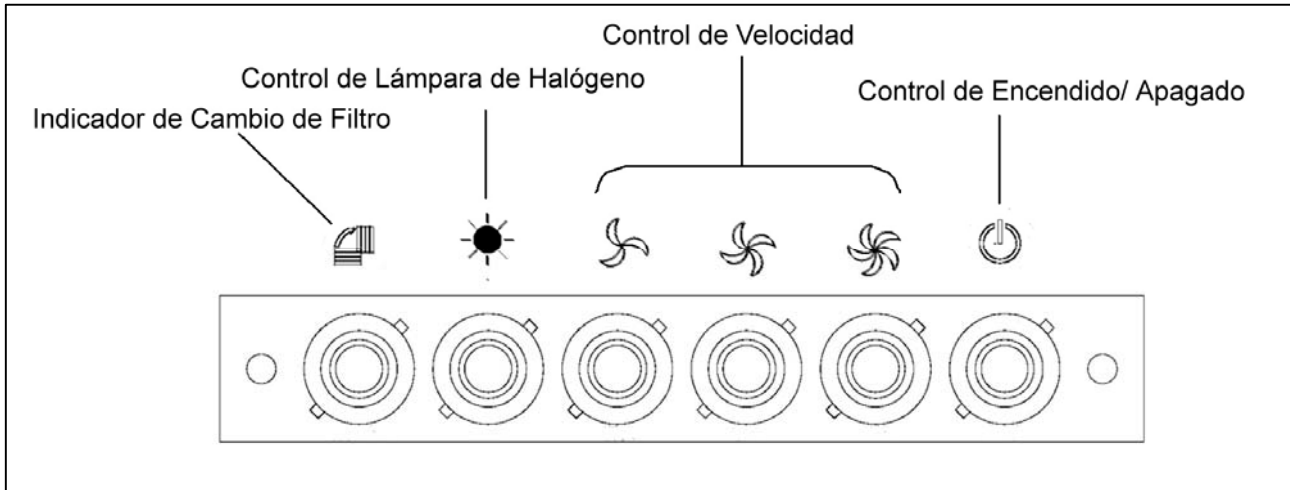


Figura 7

Nota: Para obtener mejores resultados, coloque el extractor en velocidad Baja antes de preparar alimentos o cocinar. Ajuste la velocidad según sea necesario.

Control Encendido/Apagado

Oprima el Control Encendido/Apagado para encender o apagar el extractor.

Esta unidad está equipada con una función de desactivación luego de 3 minutos de retraso. Para activar esta función, oprima el Control de Encendido/Apagado una vez, las luces LED del panel titilarán y la unidad se apagará completamente después de 3 minutos.

Oprima el Control Encendido/Apagado dos veces, y los ventiladores se apagaran inmediatamente.

Control de Velocidad

Oprima el Control de Velocidad para activar la Velocidad Baja, Media o Alta.


Control de Luz

(El control de la luz es separado del control de Encendido/Apagado. Apagar la unidad no apagará las luces.)

Oprima el Control de Luz para encender las luces.

(Cada vez que oprima el Control de Luz se cambiará la intensidad de las luces entre alto, medio y apagado.)

Indicador de Cambio del Filtro de Aluminio

Cuando se muestre  indicará que el filtro de aluminio necesita limpieza. Remueva el filtro de aluminio para limpiarlo.

(Para comprar filtros de repuesto, por favor contacte a su agente KOBE local o llame al 1-877-BUY-KOBE)

MANTENIMIENTO

⚠ADVERTENCIA DE SEGURIDAD
NUNCA COLOQUE SUS MANOS DENTRO DE LA CAJA DEL VENTILADOR MIENTRAS ÉSTE SE ENCUENTRE FUNCIONADO.

Limpeza de la Superficie de la Campana

⚠PRECAUCIÓN: NUNCA UTILICE LIMPIADORES, ALMOHADILLAS O PAÑOS ABRASIVOS. NO UTILICE TOALLAS DE PAPEL SOBRE EL ACERO INOXIDABLE.

Para un funcionamiento óptimo, limpie la campana de extracción y todos los deflectores/separadores/filtros/conductos de aceite/recipientes para aceite con regularidad.

***El cuidado regular ayudará a preservar la apariencia de la campana.

1. Utilice solamente jabón o soluciones detergentes suaves. Seque las superficies utilizando un paño suave.
2. Si la campana se ve manchada (campana de acero inoxidable), utilice un limpiador para acero inoxidable para limpiar la superficie de la campana. Evite que la solución de limpieza caiga sobre o en el panel de control. Siga las instrucciones del limpiador de acero inoxidable. **Precaución:** No lo deje por mucho tiempo pues podría dañar el acabado de la campana. Utilice una toalla suave para limpiar la solución de limpieza y frote cuidadosamente cualquier área difícil de limpiar. Utilice una toalla suave y seca para secar la campana.
3. NO permita que depósitos se acumulen o permanezcan sobre la campana.
4. NO utilice lana de acero o cepillos de acero ordinarios. Pequeños pedazos de acero podrían adherirse a la superficie y causar óxido.
5. NO permita que soluciones de sal, desinfectantes, blanqueadores o compuestos de limpieza permanezcan en contacto con el acero inoxidable por periodos de tiempo prolongados. Muchos de estos compuestos contienen químicos, que podrían ser perjudiciales. Enjuague con agua después del contacto y seque con un paño limpio libre de pelusas.

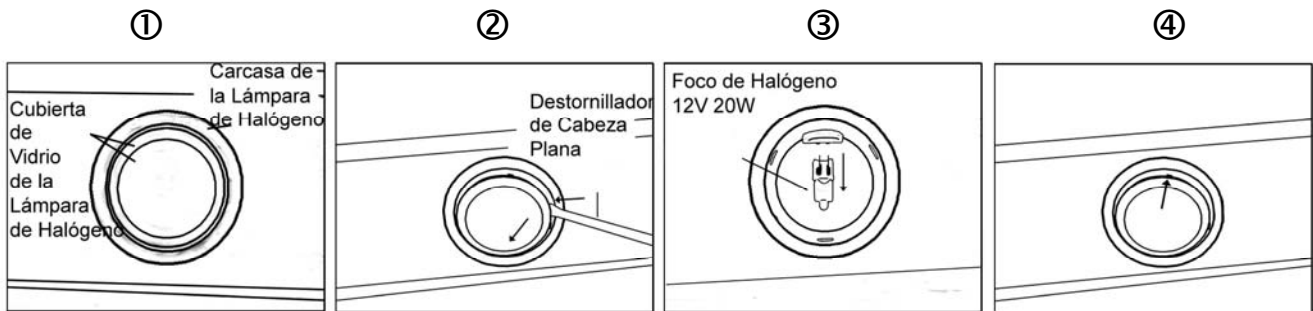
Para Limpiar el Filtro de Aluminio

1. Remueva todos los filtros de aluminio.
2. Lave con agua tibia jabonosa. Séquelos cuidadosamente antes de volverlos a colocar en su lugar.

Para Reemplazar el Foco

PRECAUCIÓN: ¡LA UNIDAD DE LA LÁMPARA DE HALÓGENO PODRÍA ESTAR CALIENTE! ESPERE HASTA QUE SE ENFRÍE

NOTA: NO TOQUE LA LÁMPARA DE HALÓGENO CON LAS MANOS DESPROTEGIDAS, PUES PODRÍA CAUSAR SOBRECALENTAMIENTO Y REDUCIR EL TIEMPO DE VIDA DE LOS FOCOS.



1. Asegúrese que todos los controles se encuentren APAGADOS y que la campana de extracción se encuentre desconectada.
2. Coloque el destornillador de cabeza plana en la ranura localizada entre la cubierta de vidrio de los focos de halógeno y la carcasa ①.
3. Retire cuidadosamente la cubierta de vidrio de la carcasa ②.
4. Hale suavemente el foco inservible ③ y deséchelo. Los focos deberán ser de 12V 20W como máximo.
5. Utilice un guante o un paño para sujetar el nuevo foco y empújelo para colocarlo en el receptáculo para focos. NOTA: NO LO EMPUJE DEMASIADO FUERTE PUES PODRÍA QUEBRAR EL CONECTOR PARA FOCO.
6. Coloque nuevamente la cubierta de vidrio de los focos de halógeno ④.
7. Enchufe nuevamente el cable de corriente y encienda la campana de extracción para verificar su funcionamiento.

ESPECIFICACIONES

MODELO / TAMAÑO	IN2730SF		
COLOR	Acero Inoxidable de Clasificación Comercial Calibre 16		
CONSUMO / AMPERIOS	120W / 1.0A		
VOLTAJE	120V 60Hz		
NUMERO DE MOTORES	1		
TIPO DE VENTILADOR: CENTRIFUGO	Jaula de Ardilla Horizontal Doble		
EXTRACTOR	Circular Superior de 6" con Regulador		
CONTROLES	5 Botones - Apagado con Retraso de 3 Minutos		
FOCOS DE HALÓGENO	12V 20W Max. x 2		
DIMENSIONES DE LA CAMPANA (ANCHO X PROFUNDIDAD X ALTO)	27-1/2" x 11-3/8" x 9-3/4"		
ACCESORIOS OPCIONALES (ANCHO X PROFUNDIDAD X ALTO)	Cubierta: INL36211A (36" X 21" X 2")		
PESO DE LA CAMPANA (lbs)		<u>Neto</u>	<u>Bruto</u>
	IN2730SQB	24	32
Capacidad de Aire del Ventilador (cfm)	Baja	Media	Alta
	200	310	400
Sonio	3.0	4.3	6.6
dB	56	61	67

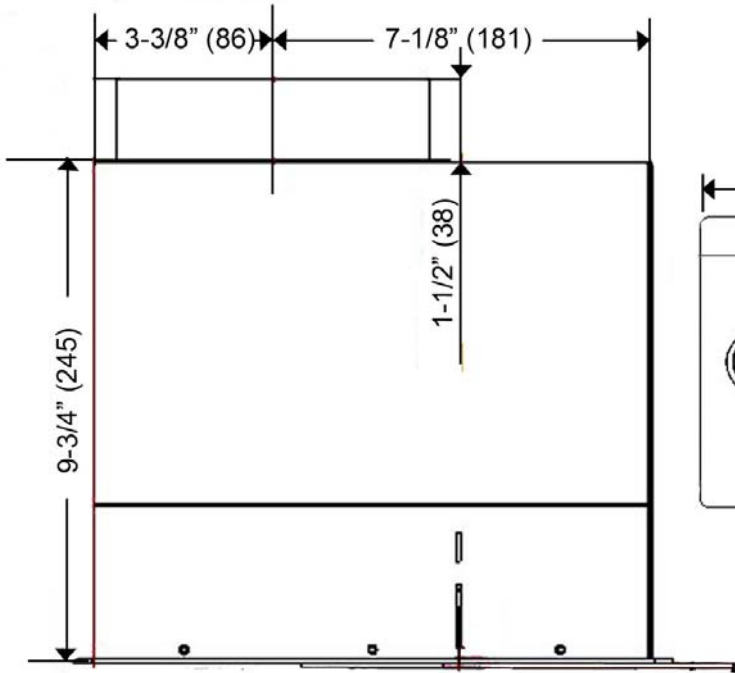
Las especificaciones están sujetas a cambio sin previo aviso.

MEDIDAS Y DIAGRAMAS

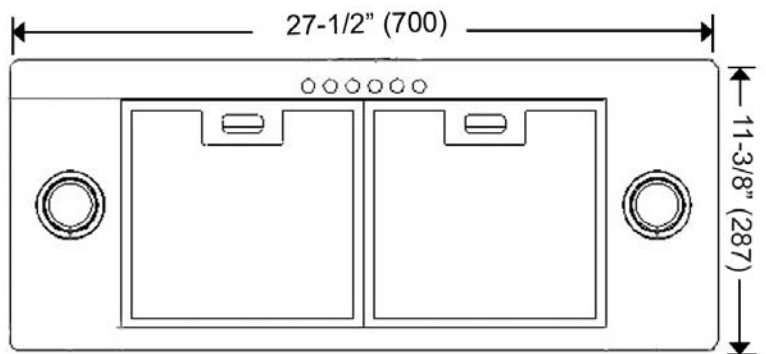
- ◆ Todas las medidas () están en milímetros.
- ◆ Todas las medidas en pulgadas han sido convertidas de milímetros. Las medidas en pulgadas son medidas aproximadas.

MODELO NO.: IN2730SF

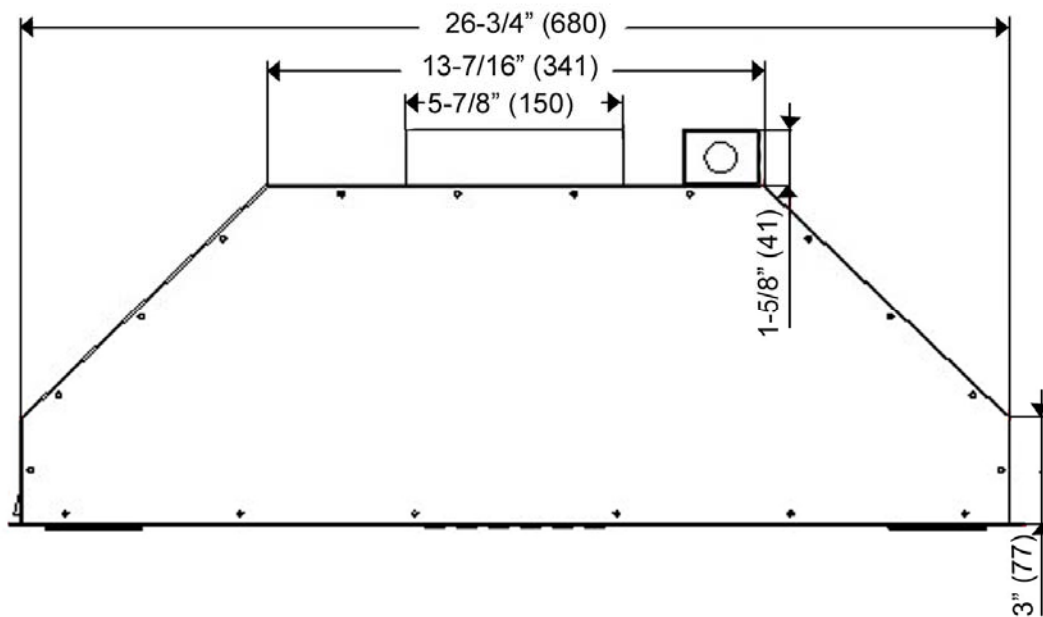
Vista Lateral



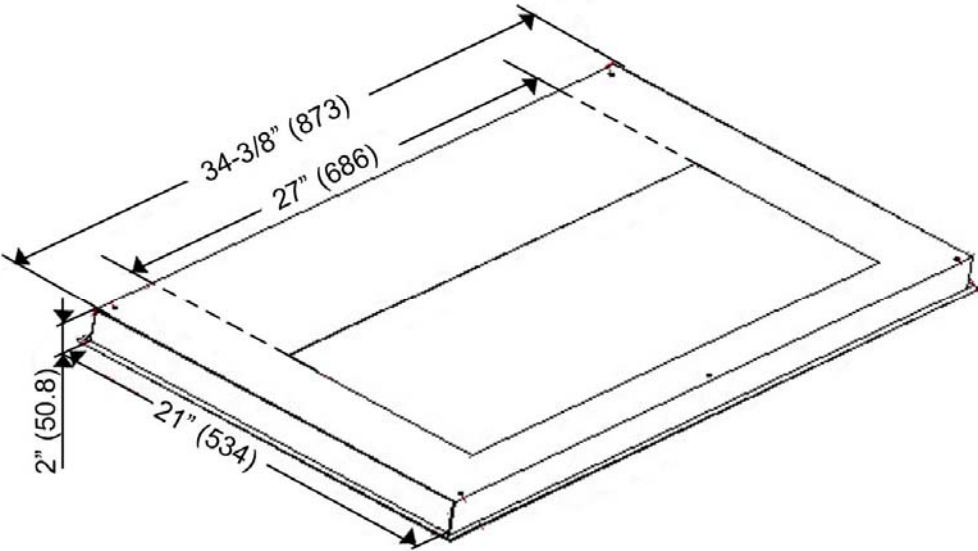
Vista Inferior



Vista de Frente



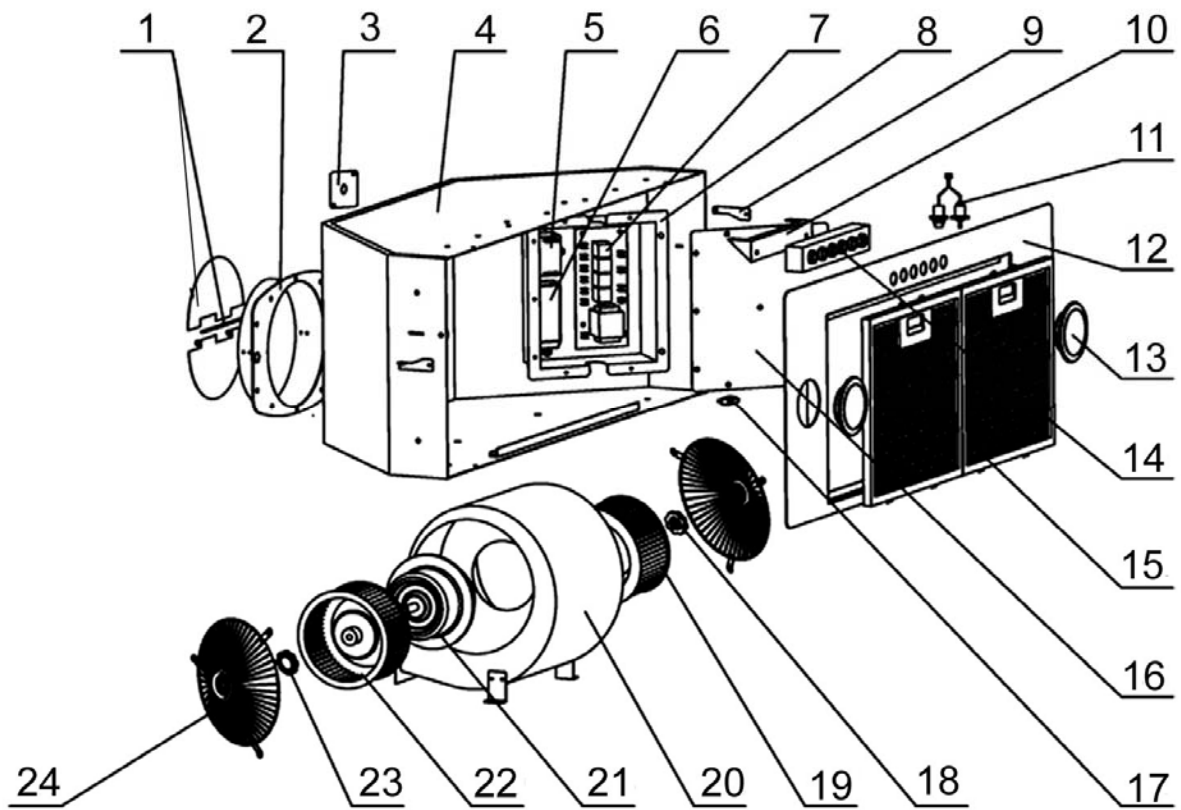
Cubierta de Acero Inoxidable (Vendida por Separado)
Modelo No. INL36211A



LISTADO DE PIEZAS

MODELO NO: IN2730SF

NO.	DESCRIPCIÓN	MODELO / TAMAÑO	PIEZA NO.
1	Accesorios del Regulador		IN2730-05-06
2	Conector del Escape		IN2730-05-02
3	Cubierta de Caja de Cableado Eléctrico		IN2730-04-01
4	Carcasa de la Campana		IN2730-01-01
5	Transformador		IN2730-16-01
6	Condensador		IN2730-07-02
7	Placa de Procesador		IN2730-04-03
8	Caja de la Placa de Procesador		IN2730-03-01
9	Soporte de la Carcasa de la Campana		IN2730-09-01
10	Soporte de la Unidad de Control		IN2730-01-06
11	Control del Sensor Integrado (ISC)		IN2730-13-01
12	Carcasa Inferior		IN2730-02-01
13	Carcasa de la Lámpara de Halógeno		IN2730-17-01
14	Unidad de Control		IN2730-15-00
15	Filtros de Aluminio		IN2730-10-01
16	Panel de Soporte Eléctrico		IN2730-03-02
17	Sensor Indicador		IN2730-06-01
18	Tuerca Derecha		IN2730-19-02
19	Jaula de Ardilla Derecha		IN2730-08-02
20	Cámara de Aire		IN2730-18-01
21	Motor		IN2730-07-01
23	Jaula de Ardilla Izquierda		IN2730-08-01
23	Tuerca Izquierda		IN2730-19-01
24	Pantalla de Seguridad		IN2730-20-01
Cubierta Opcional			
Modelo No.			
25	Cubierta	INL36211A	IN2730-11-01



Cubierta Opcional (Vendida por Separado)

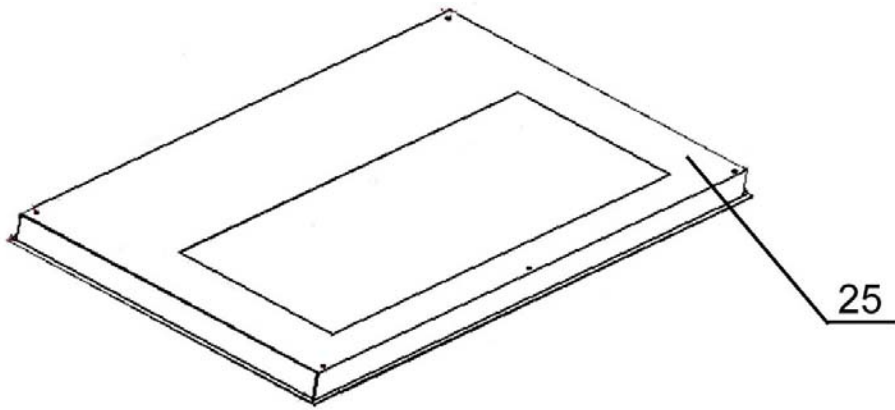
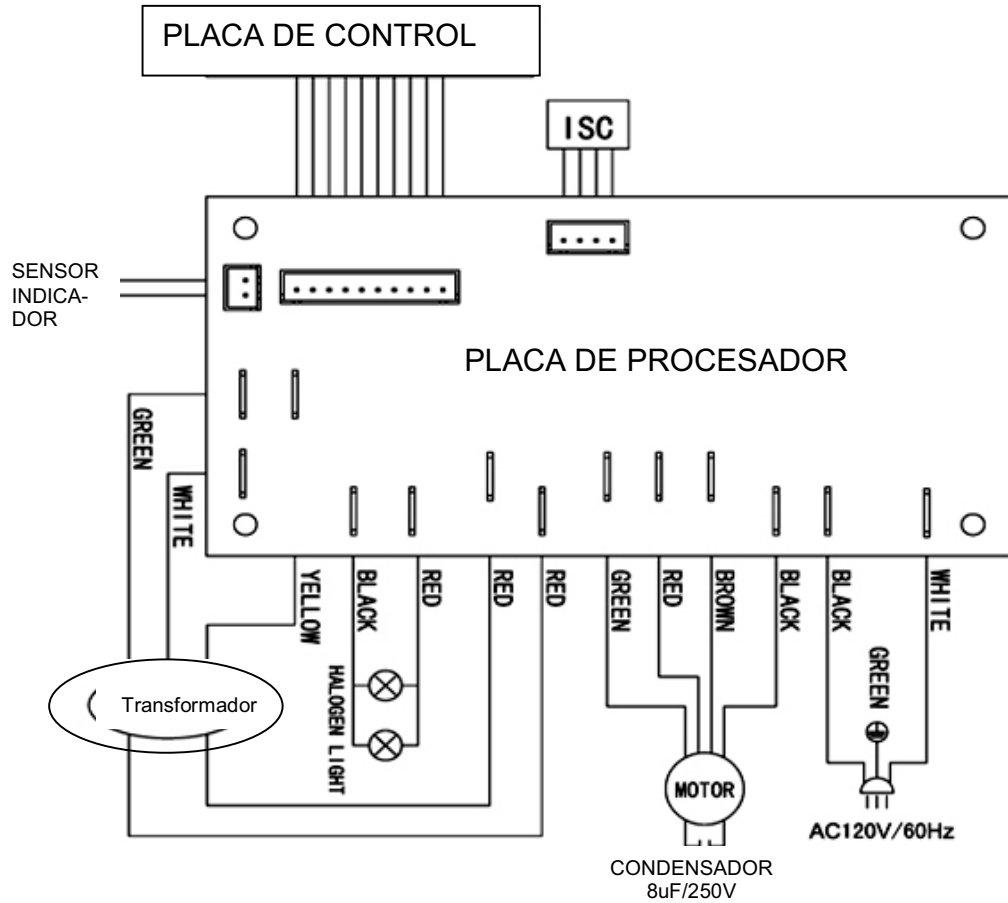


DIAGRAMA DE CIRCUITO

MODELO NO.: IN2730SF



BLACK = NEGRO RED = ROJO
GREEN = VERDE BROWN = CAFÉ
WHITE = BLANCO YELLOW = AMARILLO
HALOGEN LIGHT = FOCOS DE HALOGENO

INSTRUCCIONES IMPORTANTES DE SEGURIDAD

Problema	Posible Causa	Solución
Después de la Instalación, ninguno de los motores ni las luces están funcionando.	No está encendido.	Asegúrese que el interruptor de circuitos y la unidad se encuentren encendidos. Utilice un medidor de voltaje para verificar la energía de entrada.
	La conexión de cables no está bien sujeta.	Verifique y ajuste la conexión de cables.
	El cableado del panel de control y la placa de procesador está desconectado.	Verifique la continuidad del cable desde el panel de control hasta la placa de procesador.
	El transformador del motor está defectuoso.	Verifique la entrada y salida de la corriente el transformador del motor. De ser necesario, reemplace el transformador del motor.
	El panel de control y la placa de procesador están defectuosos.	Reemplace el panel de control o la placa de procesador.
Las luces están funcionando pero el(los) motor(es) no.	El/los motor(es) está(n) defectuoso(s).	Reemplace el motor.
	El/los condensador(es) está(n) defectuoso(s).	Reemplace el(los) condensador(es).
	El panel de control o la placa de procesador están defectuosos.	Reemplace el panel de control o la placa de procesador.
La campana de extracción está vibrando.	El sistema de ventilador no está bien sujeto.	Tighten the turbine impeller/squirrel cage and air chamber.
	El impulsor de turbina/jaula de ardilla no está balanceado.	Ajuste el impulsor de turbina/jaula de ardilla y la cámara de aire.
	La campana no está bien sujeta en su lugar	Verifique la instalación de la campana, ajuste el soporte de montaje.
El motor está funcionando pero las luces no.	El(los) foco(s) de la Lámpara de Halógeno está(n) defectuoso(s).	Intente colocar el foco que le está dando problemas en otro receptáculo que funcione, si aún así éste no funciona, reemplace el foco de halógeno.
	El cableado de la luz está flojo.	Verifique la continuidad del cable desde la placa de procesador al transformador de la luz hasta la caja de la lámpara de halógeno.
	El transformador de la luz está defectuoso.	Verifique la entrada y salida de la corriente en el transformador de la luz. De ser necesario, reemplace el transformador de la luz.
	El panel de control o la placa de procesador están defectuosos.	Reemplace el panel de control o la placa de procesador.
La campana de extracción no está ventilando correctamente.	La campana de extracción no se encuentra instalada en el espacio recomendando por el fabricante.	Ajuste el espacio entre la campana y la parte superior de la estufa a 27" a 30". Para la campana de cocina de isla, el espacio entre la campana y la parte superior de la estufa deberá ser de 30" a 36"
	No hay aire de reposición en la casa.	Abra la ventana para optimizar el rendimiento de la campana de extracción creando suficiente aire de reposición.
	Una obstrucción bloquea la red de conductos.	Remueva todas las obstrucciones de la red de conductos.
	El tamaño del tubo es más pequeño que el tubo recomendado.	Cambie los tubos de acuerdo con la recomendación del fabricante.
Aire frío entra en la casa	La conexión de los conductos no está sellada correctamente.	Verifique la instalación de los tubos
	El regulador no está instalado adecuadamente o no ha sido instalado.	Verifique la instalación del regulador.
	El regulador no está instalado.	Instalar el regulador le ayudará a eliminar el reflujó de aire.

CLÁUSULA DE EXENCIÓN

1. **INSPECCIONE CUIDADOSAMENTE TODOS LOS ARTÍCULOS VERIFICANDO QUE NO EXISTAN DAÑOS ANTES DE ACEPTAR LA ENTREGA. ANOTE CUALQUIER DAÑO EN LA FACTURA DE TRANSPORTE O EN EL RECIBO. PIDA EL NOMBRE Y FIRMA DEL AGENTE DE TRANSPORTE Y CONSERVE UNA COPIA PARA RESPALDAR SU RECLAMO.**

Al momento de aceptar los artículos, el propietario asume la responsabilidad de que lleguen de manera segura. Reporte los daños al transportista y presente un reclamo inmediatamente. El no hacerlo podría resultar en un rechazo de su reclamo. El transportista le entregará los formularios necesarios para presentar un reclamo. **LOS DAÑOS CAUSADOS DURANTE EL TRANSPORTE NO SE ENCUENTRAN CUBIERTOS BAJO NUESTRA GARANTÍA.**

2. **POR FAVOR, ¡INSPECCIONE LOS CONTENIDOS DEL PAQUETE(S) CUIDADOSAMENTE AL RECIBIRLOS!** Se nos deberá notificar por escrito sobre cualquier daño y/o piezas faltantes dentro del periodo de días establecidos luego de haber recibido su paquete(s). Contacte a su distribuidor o concesionario KOBE o llame a KOBE para obtener información sobre el límite de tiempo. **LOS RECLAMOS NO SERÁN ACEPTADOS DESPUÉS DEL PERIODO DE DÍAS ESTABLECIDOS.**

NOTA: LOS ARTÍCULOS FUERON SOMETIDOS A PRUEBAS Y EMPACADOS CUIDADOSAMENTE EN NUESTRA FABRICA ANTES DE SU ENVÍO.

3. Los productos deberán ser devueltos en buen funcionamiento con TODAS las piezas y documentación originales empacados en TODOS los cartones, rellenos y cajas de envío originales. Se cobrará una tarifa por reposición de existencias del 25% para todas las devoluciones aprobadas.

LOS CAMBIOS O DEVOLUCIONES PODRÍAN NO ACEPTARSE SI FALTARA ALGÚN MATERIAL DE EMPAQUE.

4. **ASEGÚRESE DE INSPECCIONAR LA CAMPANA VERIFICANDO QUE NO EXISTAN DAÑOS O DEFECTOS ANTES DE INSTALARLA.** Las imperfecciones en la apariencia de la campana que se encuentren después de que ésta haya sido instalada y que no afecten el rendimiento de la misma, no se encuentran cubiertas bajo nuestra garantía sobre devoluciones o cambios. Las visitas de servicio que no se encuentran cubiertas bajo la garantía incurrirán un cargo por servicio.

A) Antes de la Instalación: Envíe de vuelta para cambio o reembolso (por favor consultar lo anterior para averiguar sobre las devoluciones aceptadas).

B) Después de la Instalación: **NO** habrá ningún cambio ni reembolso.

GARANTÍA

CERTIFICADO DE GARANTÍA

KOBE Range Hoods garantiza que todos los productos fabricados o proporcionados por la compañía se encontrarán libres de defectos en cuanto a mano de obra y materiales. Sus obligaciones según esta garantía se encuentran limitadas a un periodo de dos años a partir de la fecha de compra y a reparar o reemplazar a su elección y sujeto a los términos y condiciones establecidas a continuación, cualquier pieza, que luego de ser examinada demuestre que estaba defectuosa.

PERIODO DE SERVICIO DE LA GARANTÍA DE DOS AÑOS

Cualquier avería cubierta que ocurra dentro de un periodo de dos años a partir de la fecha de compra original que surja a causa de mano de obra o material defectuoso de fábrica será reparada (o reemplazada a nuestra discreción) sin costo alguno por parte de un Agente autorizado de KOBE Range Hoods o KOBE Range Hoods según corresponda. Tenga a la mano un comprobante de compra (o la factura original) para su verificación.

Si la campana de extracción ha sido vendida por el comprador original durante el periodo de garantía, el nuevo propietario estará protegido hasta que la garantía del comprador original se venza.

CONDICIONES

Las siguientes condiciones aplican solamente en relación a la garantía otorgada explícitamente por este certificado.

- 1) Esta garantía aplica solamente:
 - a) dentro de EE.UU. y Canadá.
 - b) a las campanas de extracción de USO UNIFAMILIAR PRIVADO (si han sido utilizadas COMERCIALMENTE o USO MULTIFAMILIAR u otros propósitos, la garantía se anulará).
- 2) La reparación de cualquier avería a proporcionarse bajo esta garantía no se proporcionará:
 - a) si el número de identificación colocado en la campana de extracción ha sido alterado, se considera ilegible o ha sido removido;
 - b) si no se ha presentado una notificación del defecto dentro del periodo de tiempo correspondiente;
 - c) fallo de los focos de la luz o lámparas de calor;
 - d) por daños físicos;
 - e) por superficies dañadas por la utilización de agentes de limpieza químicos no adecuados;
 - f) si el aparato ha:
 - i) estado sujeto a uso inadecuado, abuso, negligencia, accidentes, instalación incorrecta o el no seguir las instrucciones de operación;
 - ii) sido conectado a fuentes eléctricas, conductos de extracción, tubos o cubierta de conductos inadecuados, incorrectos o defectuosos, u operado utilizando lubricantes contaminados o incorrectos;
 - iii) sido instalado, mantenido u operado de manera distinta a lo que se ha estipulado en las instrucciones proporcionadas por KOBE Range Hoods incluyendo el uso inadecuado de detergentes, blanqueadores o limpiadores.
 - g) por daños causados a la campana de extracción durante su transporte, entrega, instalación o al quitarla;
 - h) por daños causados por o que resulten de reparaciones conducidas por cualquier otra persona que no sea nuestro Agente de Servicio Autorizado.
 - i) ruido o vibración causada por una instalación incorrecta de la campana de extracción y/o el regulador.

- 3) El comprador será el responsable de cualquier gasto relacionado por hacer que la campana de extracción se encuentre disponible para que se le dé servicio y en caso de que la campana de extracción se encuentre instalada fuera del territorio de venta principal del minorista o el territorio de servicio del Agente autorizado de KOBE Range Hoods más cercano según corresponda, así como de cualquier gasto de viaje y cualquier costo de transporte de la campana de extracción y piezas desde y hacia el concesionario y Agente de Servicio.
- 4) El comprador deberá proporcionar un comprobante de compra junto con este certificado de garantía al presentar un reclamo.
- 5) Los daños causados durante el envío no se encuentran cubiertos bajo nuestra garantía.

DAÑOS EMERGENTES

El garante no se hace responsable por ningún daño emergente. ALGUNOS ESTADOS NO PERMITEN LA EXCLUSIÓN DE DAÑOS EMERGENTES ASÍ QUE LA EXCLUSIÓN ANTERIOR PODRÍA NO CORRESPONDERLE.

GARANTÍAS IMPLÍCITAS/LEY ESTATAL

Cualquier garantía implícita, incluyendo la garantía implícita de comerciabilidad y adecuación al objetivo, impuestas al momento de la venta por las leyes del estado de venta se encuentran limitadas a dos años a partir de la fecha original de compra. Algunos estados no permiten límites en cuanto a la duración de las garantías implícitas. Esta garantía le otorga derechos legales específicos y podría también incluir derechos, que varían de estado en estado.

SERVICIO

Para servicio contacte a:

KOBE Range Hoods
11775 Clark Street
Arcadia, CA 91006
U.S.A

Tel: 1-877-BUY-KOBE (1-877-289-5623)

Correo electrónico: customer.service@KOBERangeHoods.com

Sitio de Internet: www.KOBERangeHoods.com

REGISTRO DEL PRODUCTO

¡Registre su Producto!

Cualquier avería cubierta que ocurra dentro de un periodo de dos años a partir de la fecha de compra original que surja a causa de mano de obra o material defectuoso de fábrica será reparada, o a nuestra discreción, la unidad será reemplazada sin costo alguno por parte de un Agente autorizado de KOBE Range Hoods o KOBE Range Hoods según corresponda. Tenga a la mano un comprobante de compra (factura original) para su verificación.

Si la campana de extracción ha sido vendida por el comprador original durante el periodo de garantía, el nuevo propietario estará protegido hasta que la garantía del comprador original se venza. Consulte la sección de la garantía para obtener la información completa sobre la cobertura de la garantía.

Este aparato ha sido fabricado, sometido a pruebas e inspeccionado según los estándares requeridos por KOBE Range Hoods.

POR FAVOR, ENVÍE POR CORREO SU TARJETA DE REGISTRO DE GARANTÍA Y EL COMPROBANTE DE COMPRA A:

KOBE Range Hoods
Warranty Registration
11775 Clark Street
Arcadia, CA 91006, U.S.A.

ESCRIBA LA SIGUIENTE INFORMACIÓN PARA SUS ARCHIVOS:

Modelo No. _____

No. de Serie _____

Fecha de Compra ____ / ____ / ____

Comprado En:

IMPORTANTE: POR FAVOR, TENGA A LA MANO UNA COPIA DE SU RECIBO DE VENTA O FACTURA AL SOLICITAR SERVICIO.

KOBE®

KOBE Range Hoods
11775 Clark Street
Arcadia, CA 91006 USA

<http://www.KOBERangeHoods.com>

This KOBE hood is made for use in the USA and CANADA only. We do not recommend using this hood overseas as the power supply may not be compatible and may violate the electrical code of that country. **Using a KOBE hood overseas is at your own risk and will void your warranty.**

Cette hotte KOBE est fabriquée pour usage aux États-Unis et au Canada seulement. Il n'est pas recommandé d'utiliser cette hotte à l'étranger puisque l'alimentation électrique pourrait ne pas être compatible et enfreindre le code de l'électricité de ce pays. **L'usage de la hotte KOBE à l'étranger est à votre propre risque et la garantie sera annulée.**

Esta campana de extracción KOBE ha sido fabricada para ser utilizada únicamente en EE.UU. y CANADÁ. No recomendamos la utilización de esta campana en el extranjero debido a que la fuente de energía podría no ser compatible y podría violar el código eléctrico de dicho país. **Utilizar una campana KOBE en el extranjero será a su propio riesgo y anulará la garantía.**

VER.090331

Free Manuals Download Website

<http://myh66.com>

<http://usermanuals.us>

<http://www.somanuals.com>

<http://www.4manuals.cc>

<http://www.manual-lib.com>

<http://www.404manual.com>

<http://www.luxmanual.com>

<http://aubethermostatmanual.com>

Golf course search by state

<http://golfingnear.com>

Email search by domain

<http://emailbydomain.com>

Auto manuals search

<http://auto.somanuals.com>

TV manuals search

<http://tv.somanuals.com>