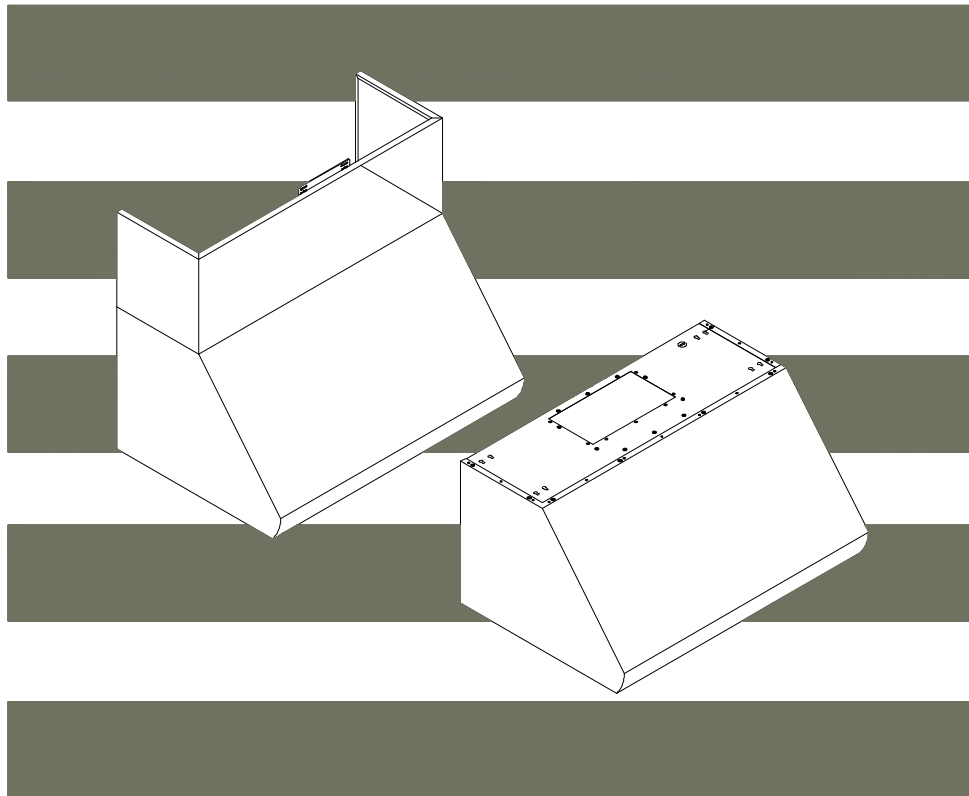


KOBE® **KOBE Brand Range Hood**

Model No.: CH0030SQB (30")
CH0036SQB (36")
CH0042SQB (42")
CH0048SQB (48")

CH-100 SERIES – 18" HEIGHT



INSTALLATION INSTRUCTIONS

AND OPERATION MANUAL

{THIS PAGE LEFT PURPOSELY BLANK}

- READ AND SAVE THESE INSTRUCTIONS -

CONTENTS

IMPORTANT SAFETY INSTRUCTIONS..... 4
COMPONENTS OF PACKAGE 3
INSTALLATION 4
 UNDER THE CABINET INSTALLATION6
 STAND ALONE INSTALLATION9
OPERATING INSTRUCTIONS 12
MAINTENANCE 13
SPECIFICATIONS 15
MEASUREMENTS & DIAGRAMS..... 16
PARTS LIST 22
CIRCUIT DIAGRAM..... 26
DISCLAIMER 28
WARRANTY 29
PRODUCT REGISTRATION..... 30

- READ ALL INSTRUCTIONS CAREFULLY BEFORE STARTING -

ALL WIRING MUST BE DONE BY A PROFESSIONAL AND IN ACCORDANCE WITH NATIONAL AND LOCAL ELECTRICAL CODES.



IMPORTANT SAFETY INSTRUCTIONS

- PLEASE READ THIS SECTION CAREFULLY BEFORE INSTALLATION -

 WARNING: TO REDUCE THE RISK OF FIRE, ELECTRIC SHOCK OR PERSONAL INJURY, OBSERVE THE FOLLOWING:

- 1) Installation and electrical wiring must be done by qualified professionals and in accordance with all applicable codes and standards, including fire-rated construction.
- 2) When cutting or drilling into wall or ceiling, be careful not to damage electrical wiring or other hidden utilities.
- 3) Ducted fans must be vented to the outside.
 - a) Before servicing or cleaning unit, open the light panel and SWITCH POWER OFF AT SERVICE PANEL.
 - b) Clean grease laden surfaces frequently. To reduce the risk of fire and to disperse air properly, make sure to vent air outside. DO NOT vent exhaust air into wall spaces, attics, crawl spaces or garages.

NOTE - This warranty is invalid without an authorized agent's receipt or if unit is damaged due to misuse, poor installation, improper use, mistreatment, negligence or any other circumstances beyond the control of KOBE RANGE HOODS authorized agents. Any repair carried out without the supervision of KOBE RANGE HOODS authorized agents will automatically void the warranty.

- KOBE RANGE HOODS will not be held responsible for any damages to personal property or real estate or any bodily injuries whether caused directly or indirectly by the range hood.

 WARNING: TO REDUCE THE RISK OF PERSONAL INJURY IN THE EVENT OF A RANGE TOP GREASE FIRE:

- Keep all fan, baffle/spacer/filter/oil tunnel/oil container and grease-laden surfaces clean. Grease should not be allowed to accumulate on fan, baffle/spacer/filter/oil tunnel/oil container.
- Always turn hood ON when cooking at high heat.
- Use high settings on cooking range ONLY when necessary.
- Do not leave cooking range unattended when cooking.
- Always use cookware and utensils appropriate for the type and amount of food prepared.
- Use this unit only in the manner intended by the manufacturer.
- Before servicing, switch power off at service panel and lock service panel (if possible) to prevent power from switching on accidentally.
- Clean ventilating fan frequently.

What to Do In The Event Of a Range Top Grease Fire

- SMOTHER FLAMES with a close fitting lid, cookie sheet, or metal tray, and then turn off the burner. KEEP FLAMMABLE OR COMBUSTIBLE MATERIAL AWAY FROM FLAMES. If the flames do not go out immediately, EVACUATE THE AREA AND CALL THE FIRE DEPARTMENT or 911.
- NEVER PICK UP A BURNING PAN – You May Get Burned.
- DO NOT USE WATER, including wet dishcloths or towels – a violent steam blast will result.
- Use an extinguisher ONLY if:
 - a) You have a Class A, B, C extinguisher and know how to operate it.
 - b) The fire is small and contained in the area where it started.
 - c) The fire department has been called.
 - d) You can fight the fire with your back to an exit.

What to Do If You Smell Gas

- Extinguish any open flame.
- Do not try to turn on the lights or any type of appliance.
- Open all doors and windows to disperse the gas. If you still smell gas, call the Gas Company and Fire Department right away.

⚠ CAUTION

- 1) For general ventilation use only. Do not use to exhaust hazardous or explosive materials and vapors.
- 2) To reduce the risk of fire, use only metal ductwork. Sufficient air is needed for proper combustion and exhausting of gases through the flue (chimney) to prevent back drafting.
- 3) Follow the heating equipment manufacturer's guideline and safety standards such as those published by the National Fire Protection Association (NFPA), and the American Society for Heating, Refrigeration and Air Conditioning Engineers (ASHRAE), and code authorities.
- 4) Activating any switch on may cause ignition or an explosion.
- 5) Due to the size and weight of this hood, two people installation is recommended.

⚠ WARNING



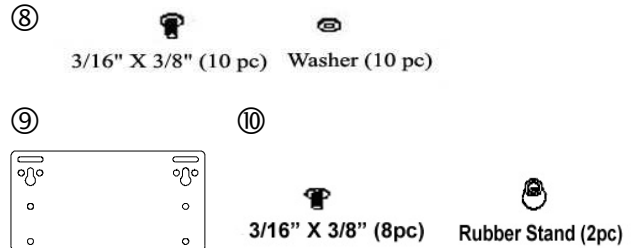
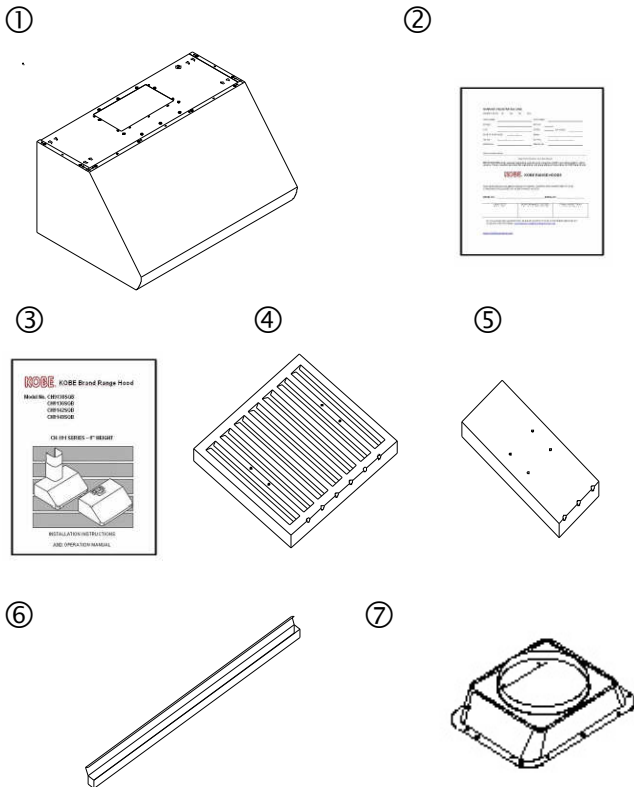
ELECTRICAL SHOCK HAZARD – Can result in serious injury or death. Disconnect appliance from electric power before servicing. If equipped, the fluorescent light bulb contains small amounts of mercury, which must be recycled or disposed of according to Local, State, and Federal Codes.

COMPONENTS OF PACKAGE

(Must keep all material for returns or refunds)

RANGE HOOD BOX

- ① KOBE Range Hood – 1
- ② Warranty Registration Card – 1
- ③ Instructions Manual – 1
- ④ Baffle Filter
 - 2 (30", 36", 42")
 - 3 (48")
- ⑤ Stainless Steel Spacer
 - 2 (30")
 - 2 (36")
 - 3 (42")
 - 2 (48")
- ⑥ Oil Tunnel – 1
- ⑦ Ducting Transition – 1
- ⑧ Screw Package for Transition – 1
- ⑨ Hood-Mounting Bracket-2
- ⑩ Screw Package for Hood-Mounting Bracket w/ Rubber Stand – 1



DUCT COVER KIT (Sold Separately)

Option Of:

Model No. CH0030DC-12 for 30" hood

KOBE Duct Cover – 1
Screw Package for Duct Cover - 1

Model No. CH0036DC-12 for 36" hood

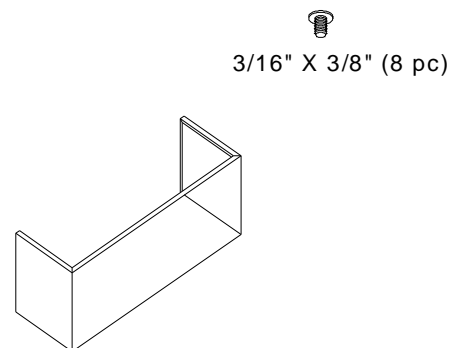
KOBE Duct Cover – 1
Screw Package for Duct Cover - 1

Model No. CH0042DC-12 for 42" hood

KOBE Duct Cover – 1
Screw Package for Duct Cover - 1

Model No. CH0048DC-12 for 48" hood

KOBE Duct Cover – 1
Screw Package for Duct Cover - 1



- * OPTIONAL RECIRCULATING KIT ALSO AVAILABLE.
- * FOR MORE INFORMATION, PLEASE VISIT OUR WEBSITE WWW.KOBERANGEHOODS.COM OR CONTACT KOBE RANGE HOODS AT (626) 350-1355.

INSTALLATION

PLEASE READ ENTIRE INSTRUCTION BEFORE PROCEEDING

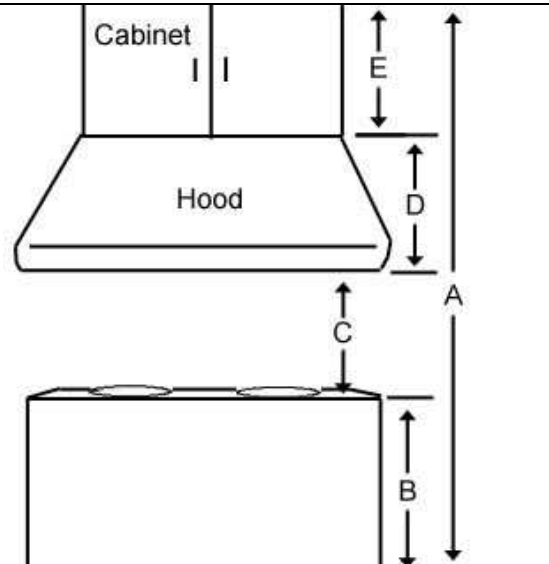
Calculation before Installation

To calculate installation, please refer to Table 1. (All calculation in inches.)

- FOR UNDER THE CABINET -

TABLE 1

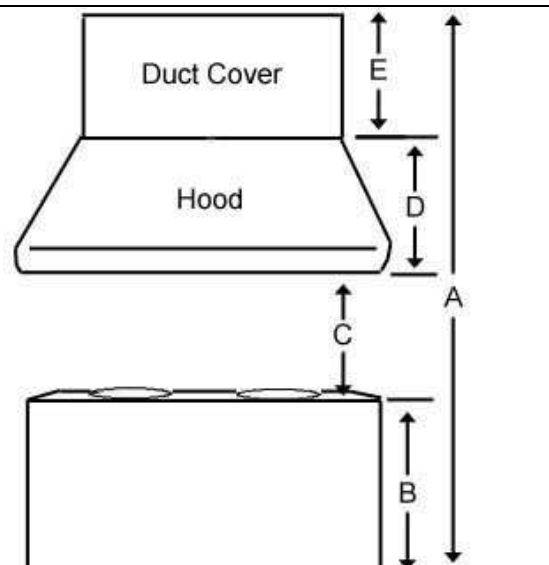
- A = Height of Floor to Ceiling
 B = Height of Floor to Counter Top
 (Standard: 36")
C = Height of Counter Top to Hood Bottom
 (Recommended 27" to 30")
 $[(A - B) - (D + E)]$
 D = Height of Hood
 E = Height of the Cabinet



- FOR WALL MOUNT (WITH OPTIONAL DUCT COVER) -

TABLE 2

- A = Height of Floor to Ceiling
 B = Height of Floor to Counter Top
 (Standard: 36")
C = Height of Counter Top to Hood Bottom
 (Recommended 27" to 30")
 D = Height of Hood
 E = Height of Duct Cover
 F = Height of the Hood Installation
 $[A - (B + C)]$



 **SAFETY WARNING**

HOOD MAY HAVE VERY SHARP EDGES; PLEASE WEAR PROTECTIVE GLOVES IF REMOVING ANY PARTS FOR INSTALLING, CLEANING OR SERVICING.

NOTE: USING ELECTRICAL SCREWDRIVERS MAY CAUSE DAMAGE TO THE HOOD.

Installation Table of Contents

UNDER THE CABINET INSTALLATION 6

Preparation Before Installation 6

Hood Installation 6

Ductwork Installation 7

Wiring to Power Supply 7

Final Assembly 7

STAND ALONE INSTALLATION 9

Preparation Before Installation 9

Hood Preparation Before Installation 9

Hood Installation 9

Wiring to Power Supply 10

Duct Cover Installation 11

Final Assembly 11

UNDER THE CABINET INSTALLATION

Preparation Before Installation

NOTE: TO AVOID DAMAGE TO YOUR HOOD, PREVENT DEBRIS FROM ENTERING THE VENT OPENING.

- Decide the location of the venting pipe from the hood to the outside. Refer to Figure 1.
- A straight, short vent run will allow the hood to perform more efficiently.
- Try to avoid as many transitions, elbows, and long run as possible. This may reduce the performance of the hood.
- Temporarily wire the hood to test for proper operation before installing.
- **Important: Peel protective film off the hood, if any.**
- Use duct tape to seal joints between pipe sections.
- For installing under the cabinet with recessed bottom, attach 4-inch wide wood filler strips (not included) on each side. Refer to Figure 2.
- Using references in TABLE 1 on page 4 and Measurements and Diagrams on page 18, create access opening for electrical wires and hood exhaust under the cabinet.

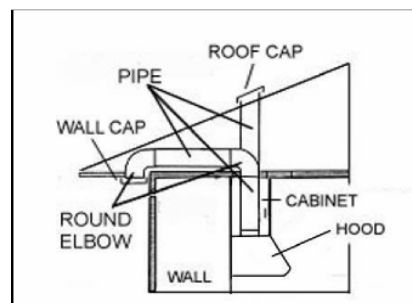


Figure 1

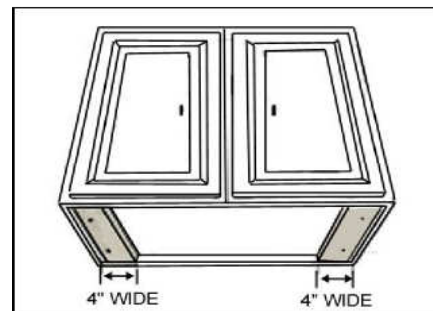


Figure 2

Hood Installation

⚠ CAUTION: If moving the cooking range is necessary to install the hood, turn off the power on an electric range at the main electrical box. **SHUT OFF THE GAS BEFORE MOVING A GAS RANGE.**

1. Puncture the knockout holes (for mounting under the cabinet) on the hood as shown in Figure 3.
2. Attach ducting transition to hood exhaust with ten (3/16" x 3/8") screws (included). Shown in Figure 4.
3. If necessary, attach two rubber stands (included) with adhesive tape (included) to the back corners of the hood.
4. Draw electrical wires through cabinet access opening.
5. Center the hood beneath the cabinet and flush with the front of the cabinet.
6. From inside of the hood, place screw (not included) into the center of each knockout hole and secure to cabinet bottom. Once all mounting screws are in place, finish tightening screws until secure. **⚠ CAUTION: MAKE SURE HOOD IS SECURE BEFORE RELEASING.**
7. For safety purpose, pre-drilled mounting holes are provided through the back of the hood. For a more secure installation, use as many mounting holes as needed to secure from the inside of hood (screws not included).

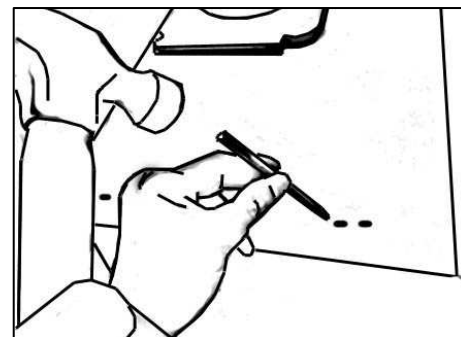


Figure 3

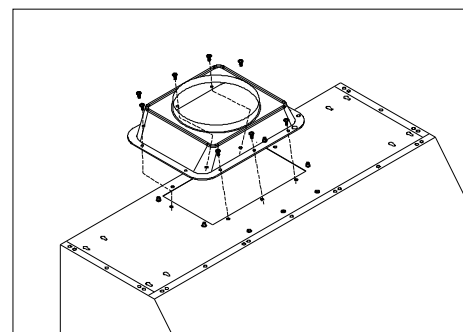


Figure 4

Ductwork Installation

- Use 8" round steel pipe (follow building codes in your area) to connect the ducting transition on the hood to the ductwork above. Use duct tape to make all joints secure and air tight. Refer to Figure 5.

Wiring to Power Supply

⚠ SAFETY WARNING

RISK OF ELECTRICAL SHOCK. THIS RANGE HOOD MUST BE PROPERLY GROUNDED. MAKE SURE THIS IS DONE BY QUALIFIED ELECTRICIAN IN ACCORDANCE WITH ALL APPLICABLE NATIONAL AND LOCAL ELECTRICAL CODES.

BEFORE CONNECTING WIRES, SWITCH POWER OFF AT SERVICE PANEL TO PREVENT POWER FROM BEING SWITCHED ON ACCIDENTALLY.

- Connect electrical wires.
 - Connect three wires (black, white and green) to house wires and cap with wire connectors. Connect wires according to their colors (i.e. black to black, white to white, and green to green). See Figure 6.
 - Store wires in the wiring box.

Final Assembly

⚠ CAUTION: Install heating lamps last.

- Drop oil tunnel into recess support near rear of hood. Refer to Figure 7.
- Install baffle filters and stainless spacer(s). Refer to Measurements and Diagrams on page 21 for baffle filter and stainless spacer placement. Angle baffle filter toward back of hood ①. Push baffle filter up until almost level ②. Slide forward into recess behind the front of hood ③. Lower baffle filter ④. Slide back until it fits into resting position ⑤. Refer to Figure 8.
- Repeat for all baffle filters and spacers.
- Install heating lamps (not included), 120 Volts 175 Watts max. each.

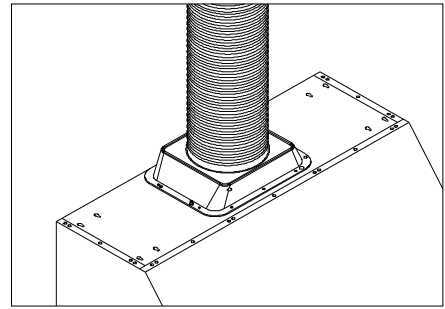


Figure 5

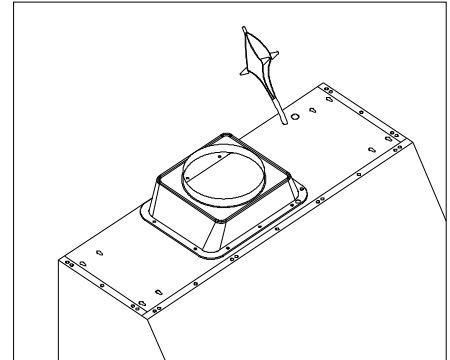


Figure 6

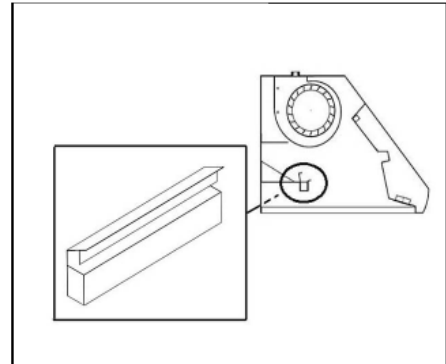


Figure 7

14. Turn power ON in control panel. Check all lights and fan operation.
15. Make sure to leave this manual for the homeowner

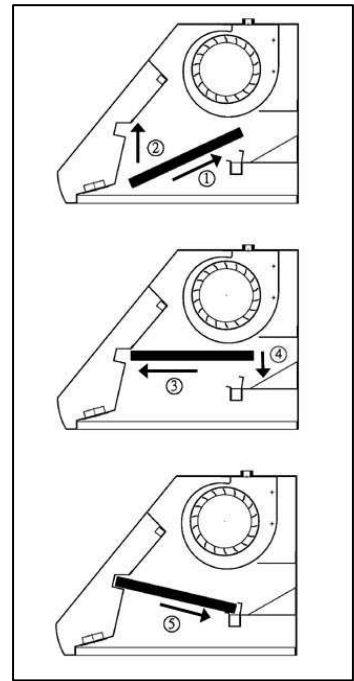


Figure 8

WALL MOUNT INSTALLATION

***Follow these installations only if installing with an optional duct cover:

Preparation Before Installation

NOTE: TO AVOID DAMAGE TO YOUR HOOD, PREVENT DEBRIS FROM ENTERING THE VENT OPENING.

- Decide the location of the venting pipe from the hood to the outside. Refer to Figure 9.
- A straight, short vent run will allow the hood to perform more efficiently.
- Try to avoid as many transitions, elbows, and long run as possible. This may reduce the performance of the hood.
- Use duct tape to seal the joints between pipe sections.
- If necessary, prepare back wall frame with cross framing lumber for secure installation.
- Using references in Table 2 on page 4 and Measurements and Diagrams on pages 19-20, decide the level of the lumber. Refer to Figure 10.

Hood Preparation Before Installation

- Temporarily wire the hood to test for proper operation before installing.
- **Important: Peel protective film off the hood and the duct cover (if any).**
- Attach ducting transition to hood exhaust with ten (3/16" x 3/8") screws (included). Refer to Figure 11.
- If necessary, attach two rubber stands (included) with adhesive tape (included) to the back corners of the hood.
- Use eight (3/16" x 3/8") screws (included) to attach the two hood-mounting brackets (included) to the back of the hood. Refer to Figure 12.

Hood Installation

⚠ CAUTION: If moving the cooking range to install the hood is necessary, turn off the power on an electric range at the main electrical box. **SHUT OFF THE GAS BEFORE MOVING A GAS RANGE.**

1. Using references in Table 2 on page 4 and Measurements and Diagrams on pages 19-20,

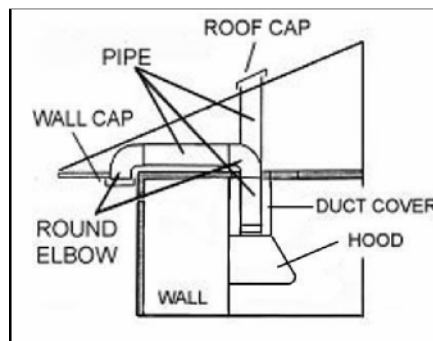


Figure 9

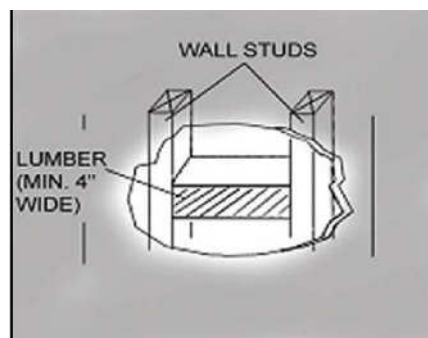


Figure 10

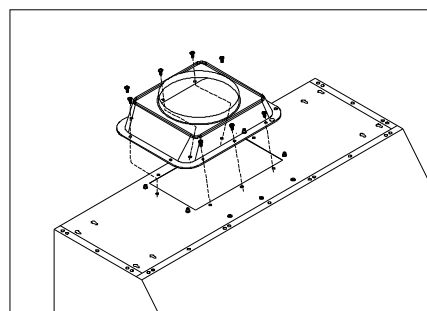


Figure 11

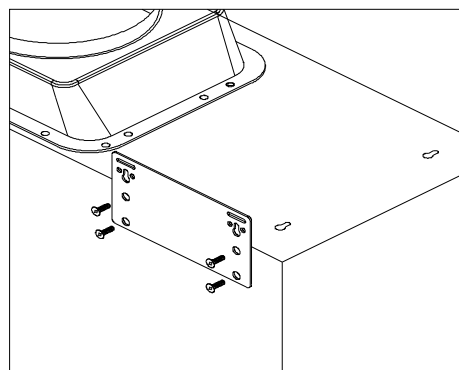


Figure 12

mark the leveling point of the hood. Position two mounting screws (not included) on the wall, leaving 1/8" away from the wall. Refer to Figure 13

2. Align hood-mounting bracket to the two screws on the wall and hook hood into place. Tighten screws to secure hood to the wall.
3. For safety purpose, pre-drilled mounting holes are provided through the back of the hood. For a more secure installation, use as many mounting holes as needed to secure from the inside of hood (screws not included).

⚠ CAUTION: MAKE SURE HOOD IS SECURE BEFORE RELEASING.

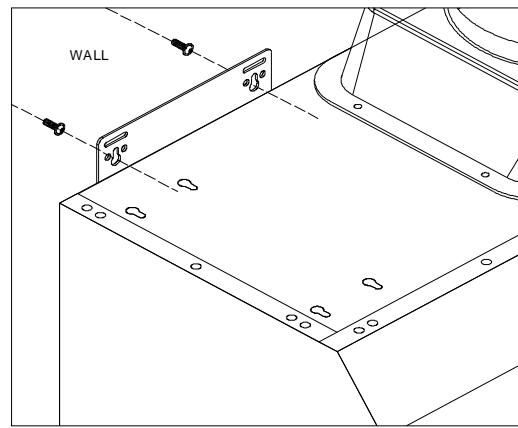


Figure 13

Wiring to Power Supply

⚠ SAFETY WARNING

RISK OF ELECTRICAL SHOCK. THIS RANGE HOOD MUST BE PROPERLY GROUNDED. MAKE SURE THIS IS DONE BY QUALIFIED ELECTRICIAN IN ACCORDANCE WITH ALL APPLICABLE NATIONAL AND LOCAL ELECTRICAL CODES. BEFORE CONNECTING WIRES, SWITCH POWER OFF AT SERVICE PANEL AND LOCK SERVICE PANEL TO PREVENT POWER FROM BEING SWITCHED ON ACCIDENTALLY.

4. Connect the electrical wires.
 - Connect three wires (black, white and green) to house wires and cap with wire connectors. Connect according to color: black to black, white to white, and green to green as shown in Figure 14.
 - Store wires in the wiring box.

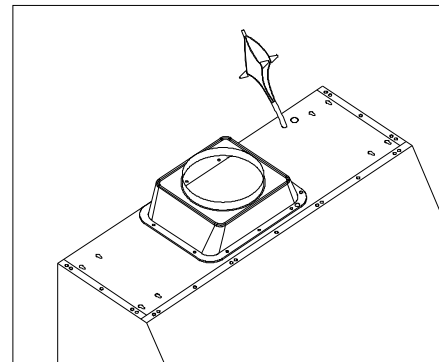


Figure 14

Duct Cover Installation

5. Use 8" round steel pipe (follow building codes in your area) to connect the ducting transition on the hood to the ductwork above. Use duct tape to make all joints secure and air tight. Refer Figure 15. Slide the duct cover onto the hood.
6. Use 3/16" x 3/8" screws (included) to attach duct cover to hood.

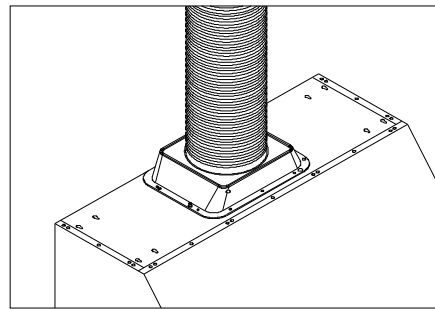


Figure 15

Final Assembly

⚠ CAUTION: Install heating lamps last.

7. Drop oil tunnel into recess support near rear of hood. Refer to Figure 16.
8. Install baffle filters and stainless spacer(s). Refer to Measurements and Diagrams on page 21 for baffle filter and stainless spacer placement. Angle baffle filter toward back of hood ①. Push baffle filter up until almost level ②. Slide forward into recess behind the front of hood ③. Lower baffle filter ④. Slide back until it fits into resting position ⑤. Angle baffle filter toward back of hood ①. Refer to Figure 17.
9. Repeat for all baffle filters and spacers.
10. Install heating lamps (not included), 120 Volts 175 Watts max. each.
11. Turn power ON in control panel. Check all lights and fan operation.
12. Make sure to leave this manual for the homeowner.

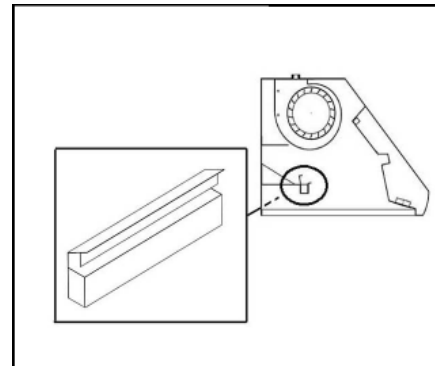


Figure 16

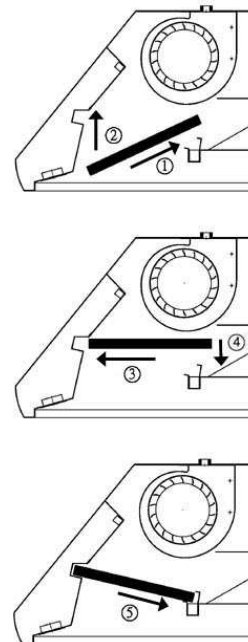


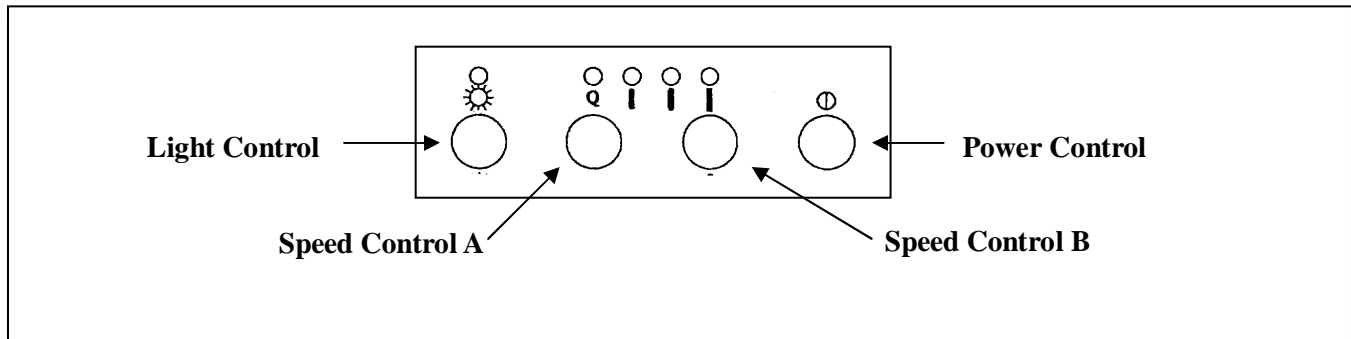
Figure 17

OPERATING INSTRUCTIONS

This KOBE hood is equipped with four electronic controls with a 10-second standby startup & 30-second delay shutoff, powerful centrifugal squirrel cage with baffle filters, bright 12-volt 20-watt halogen lights, and heating lamp sockets (lamps not included).

The four electronic controls are Light Control, Speed Control A, Speed Control B and the Power Control (On/Off). Refer to Figure 18.

Figure 18



TURN ON:

- **Press Power Control (On/Off) button once.**
(Note: If any Control button is not pressed within 10 seconds, power will be automatically turned off).
- **The KOBE hood will start on Low speed. Each press of the Speed Control button will cycle through the various speeds.**
- **Press Speed Control A button to cycle from Low, QuietMode™, High, or Medium. Press Speed Control B button to cycle from Low, Medium, High or QuietMode™.**
(Note: Speed Control A or B will operate both fans. These two speed buttons will allow you to change the speed quicker.)
- **Press Light Control button to turn halogen light on.** The light has three settings: High, Low and Off
- **Press the back Red button to turn on heating lamp.**
(Note: Heating lamps are sold separately. Heating lamps required 120-volt, 175-watt.)

TURN OFF:

- **Press Power Control (On/Off) button once, panel lights will flash and power will be completely shut off after 3 minutes.**
OR
- **Press Power Control (On/Off) button twice, all power will be shut off immediately.**
- **If only the lights are on, pressing Power Control (On/Off) button once will turn power off after 30 seconds.**

MAINTENANCE

SAFETY WARNING


NEVER PUT YOUR HAND INTO AREA HOUSING THE FAN WHILE THE FAN IS OPERATING.

For optimal operation, clean range hood and all baffle/spacer/filter/oil tunnel/oil container regularly.

To Clean Hood Surface

 **CAUTION: NEVER USE ABRASIVE CLEANERS, PADS, OR CLOTHS.**

*** Regular care will help preserve the appearance of the hood.

1. Use only mild soap or detergent solutions. Dry surfaces using soft cloth.
2. If hood looks splotchy (stainless steel hood), use a stainless steel cleaner to clean the surface of the hood. Avoid getting cleaning solution onto or into the control panel. Follow directions of the stainless steel cleaner.  **Caution: Do not leave on too long as this may cause damage to hood finish.** Use soft towel to wipe off the cleaning solution, gently rub off any stubborn spots. Use dry soft towel to dry the hood.
3. DO NOT allow deposits to accumulate or remain on the hood.
4. DO NOT use ordinary steel wool or steel brushes. Small bits of steel may adhere to the surface and cause rusting.
5. DO NOT allow salt solutions, disinfectants, bleaches, or cleaning compounds to remain in contact with stainless steel for extended periods. Many of these compounds contain chemicals, which may be harmful. Rinse with water after exposure and wipe dry with a clean cloth.

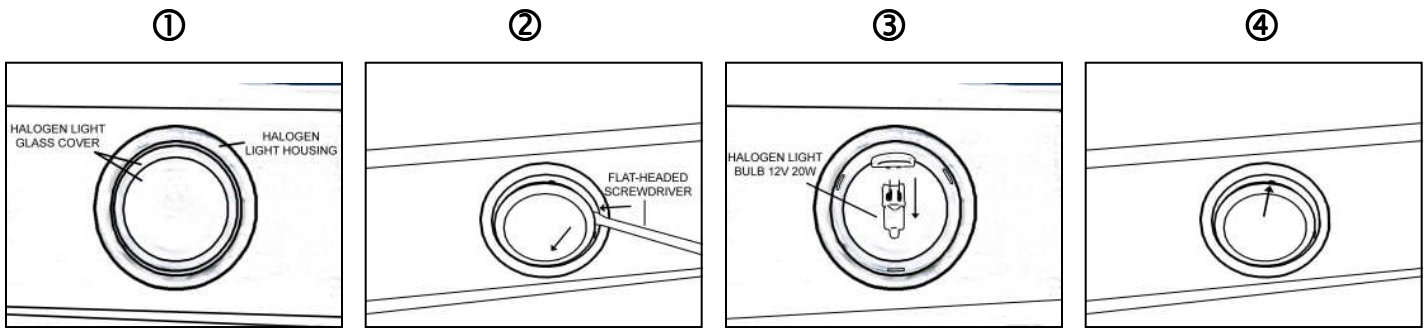
To Clean Baffle, Spacer, Filter, Oil Tunnel and Oil Container

 **CAUTION: DRAIN OIL FROM BAFFLES, SPACER(S), FILTERS, OIL TUNNEL(S) AND OIL CONTAINERS BEFORE OIL AND RESIDUE CAN OVERFLOW.**

1. Remove all baffles, spacer(s), filters, oil tunnel(s), and oil containers. Follow directions for installation in reverse.
2. Discard oil and residue.
3. Wash with warm soapy water. Dry thoroughly before replacing.
(Note: Stainless Steel Baffles, Stainless Steel Spacer(s) & Stainless Steel Oil Tunnel are top rack dishwasher safe.)

To Replace Light Bulb

⚠ CAUTION: HALOGEN LIGHT UNIT MAY BE HOT! WAIT UNTIL UNIT IS COOL.



1. Make sure all controls are off, and range hood is unplugged.
2. Place a flat-head screwdriver between light cover and housing ① to remove cover ②.
3. Gently pull defective bulb straight out ③ and discard. Light bulbs should be 12V 20W maximum.
4. Wear a cotton glove or use a cloth to handle the replacement bulb (do not handle with bare fingers as this may shorten the life of the bulb). Push gently but securely into light socket.
NOTE: DO NOT PUSH TOO HARD AS BULB "LEGS" MAY BREAK OFF.
5. Replace light cover ④.
6. Turn range hood ON to test for operation.

SPECIFICATIONS

MODEL / SIZE	CH0030SQB / 30" CH0036SQB / 36" CH0042SQB / 42" CH0048SQB / 48"			
DESIGN	18-Gauge Seamless Commercial Stainless Steel			
CONSUMPTION / AMPERE	702W / 5.85A – 30", 36" 722W / 6.02A – 42", 48"			
VOLTAGE	120V 60Hz			
NUMBER OF MOTORS	1			
FAN TYPE: CENTRIFUGAL	Squirrel Cage			
EXHAUST	Top Transition Rectangular to 8" Round x 1			
CONTROLS	Electronic Control (4 Buttons) – 10-Second Standby Startup 3-Minute Delay Shutoff			
HALOGEN LIGHTS	30" / 36" - 12V20W x 2 42" / 48" - 12V20W x 3			
HEATING LAMP SOCKET	120V 175W Max. x 2 (Lamps Not Included)			
HOOD DIMENSION (W X D X H)	(CH0030SQB) 29-3/4" x 24" x 18" (CH0036SQB) 35-3/4" x 24" x 18" (CH0042SQB) 41-3/4" x 24" x 18" (CH0048SQB) 47-3/4" x 24" x 18"			
OPTIONAL ACCESSORIES (Not Included) (W X D X H)	Original Kit ---Duct Cover (CH0030DC-12) – 30" x 12" x 12" (CH0036DC-12) – 36" x 12" x 12" (CH0042DC-12) – 42" x 12" x 12" (CH0048DC-12) – 48" x 12" x 12" Stainless Steel Back Panel (SSP 30) 30" x 1/10" x 32" (SSP 36) 36" x 1/10" x 32"			
HOOD WEIGHT (lbs)		<u>Net</u>	<u>Gross</u>	
	(CH0030SQB)	70	84	
	(CH0036SQB)	75	93	
	(CH0042SQB)	84	104	
	(CH0048SQB)	92	115	
Blower Air Capacity (cfm)*	QuietMode™	Low	Medium	High
	400	600	800	1000
Sone**	1.4	3.5	7.0	8.0

*In House Test. HVI Standard.

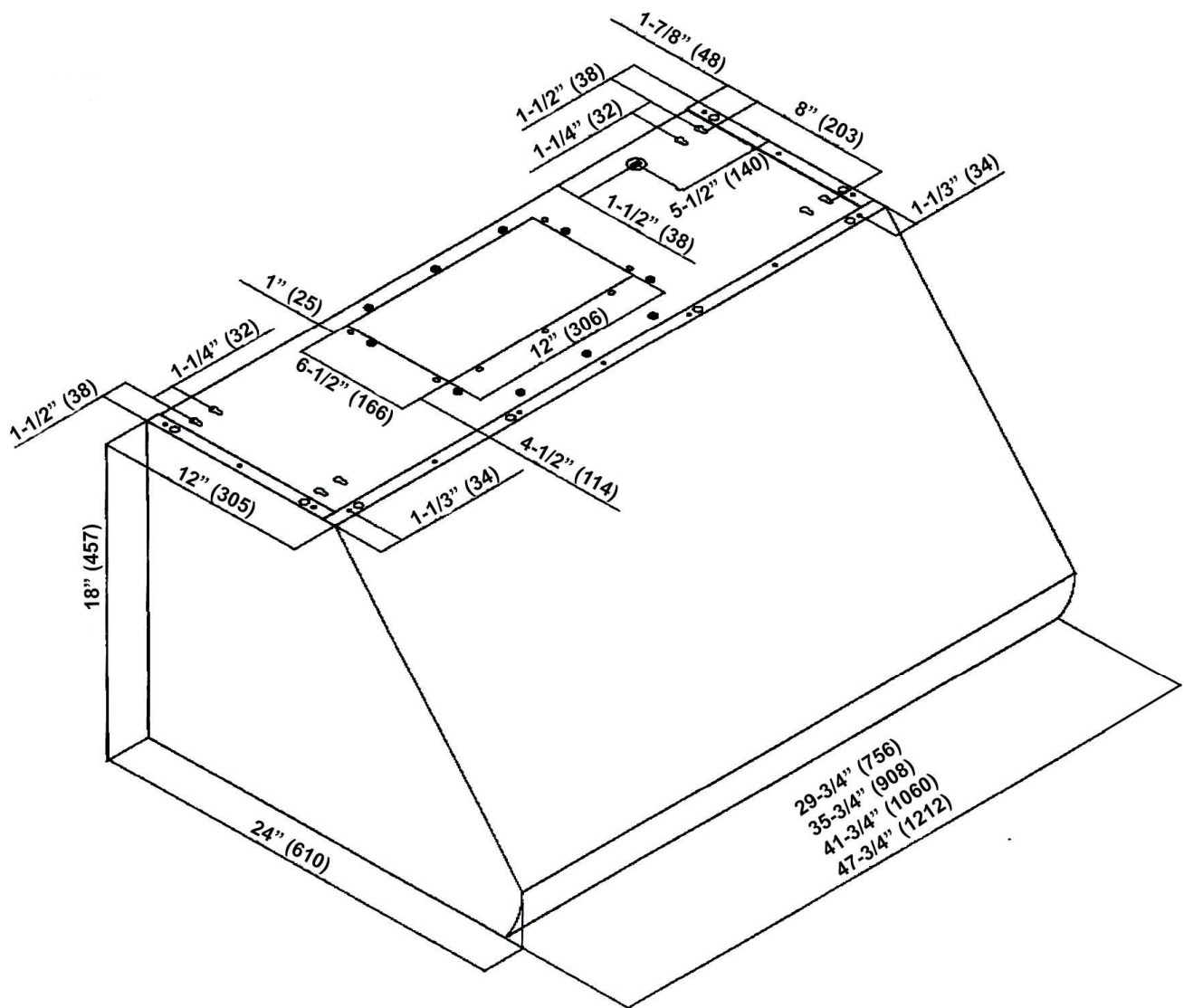
**Specifications subject to change without notice.

MEASUREMENTS & DIAGRAMS

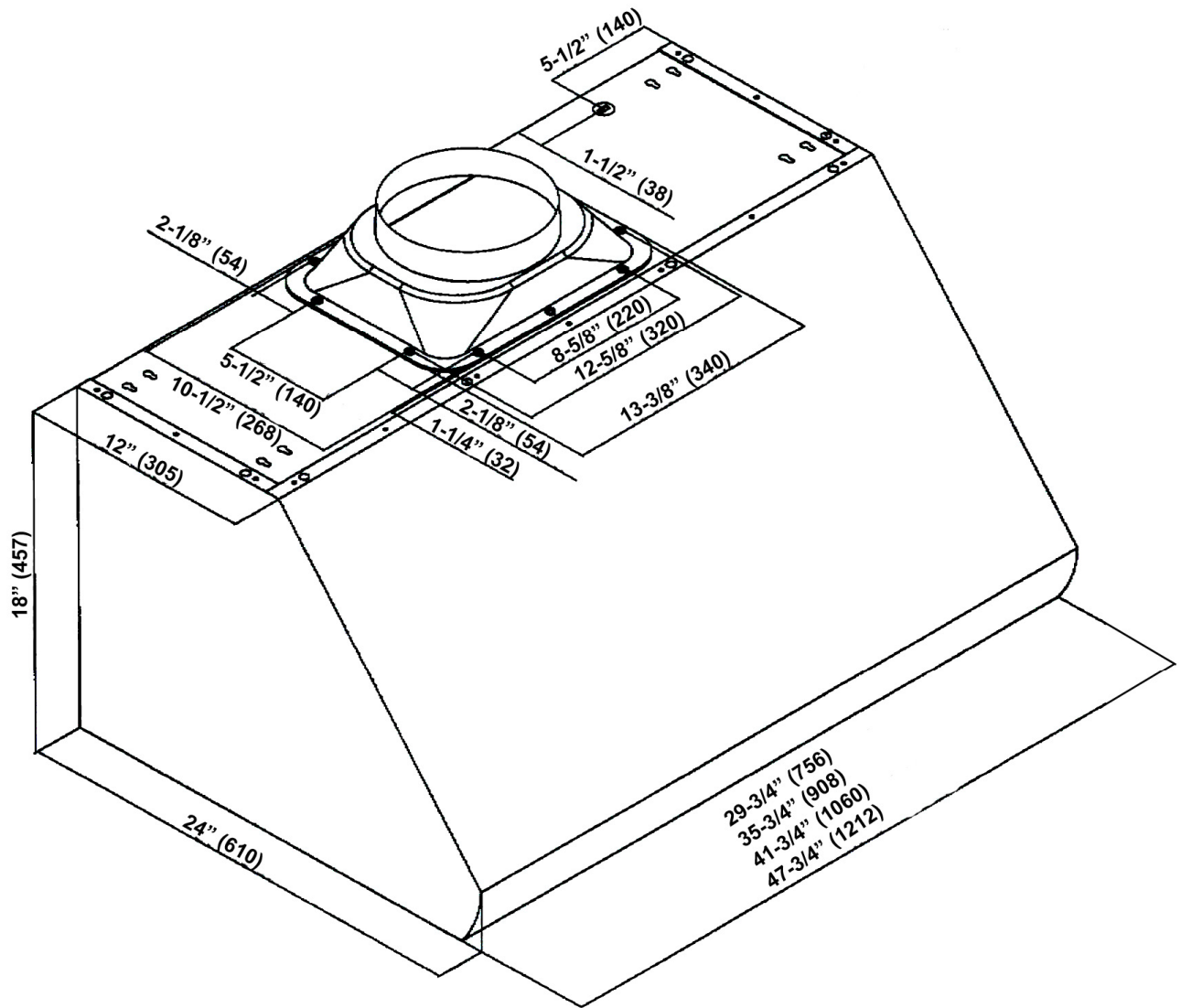
- ◆ All () are in millimeter.
- ◆ All inch measurements are converted from millimeters. Inch measurements are estimated.

- FOR UNDER THE CABINET -

MODEL NO: CH0030SQB
CH0036SQB
CH0042SQB
CH0048SQB

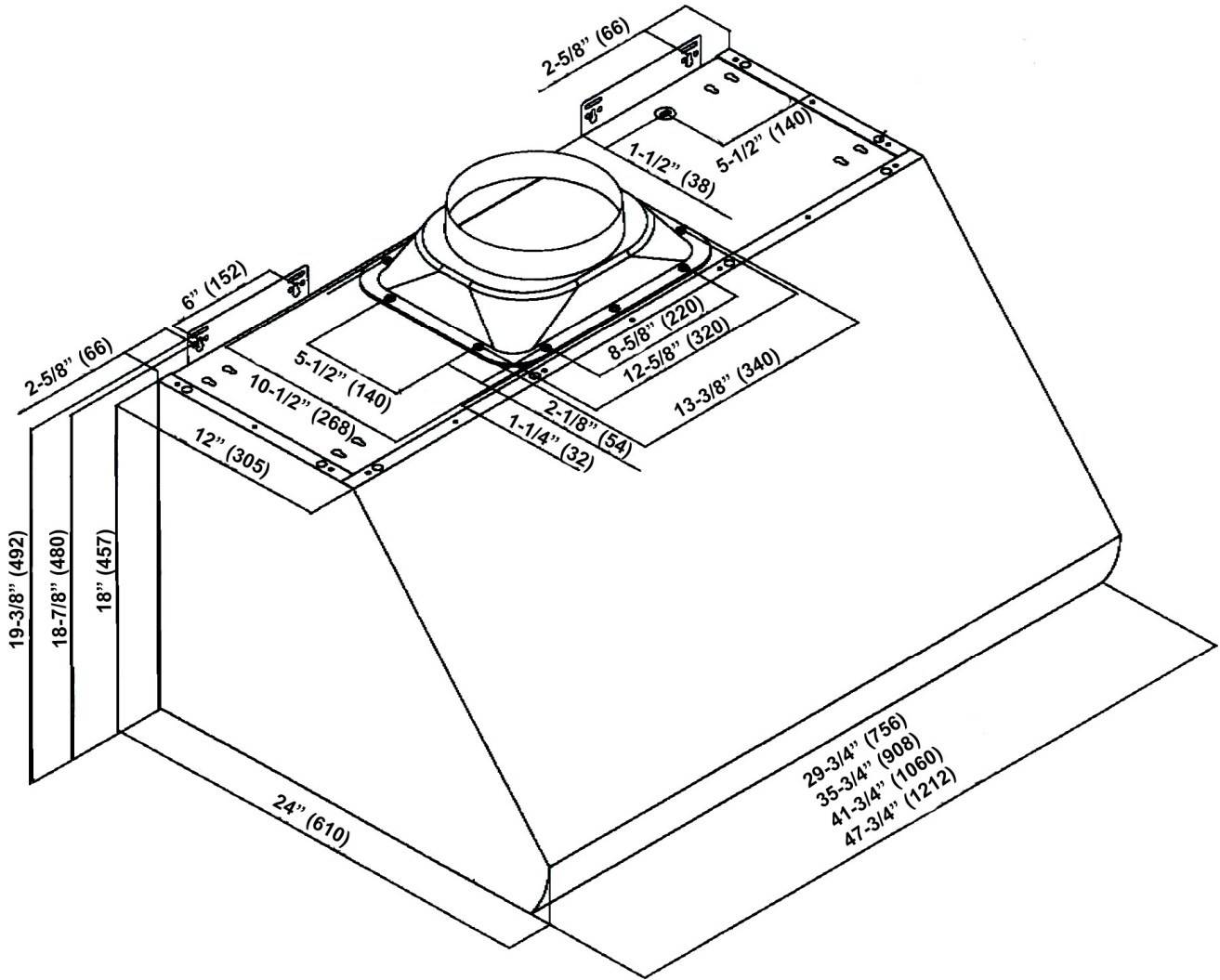


- FOR UNDER THE CABINET - (Cont.)

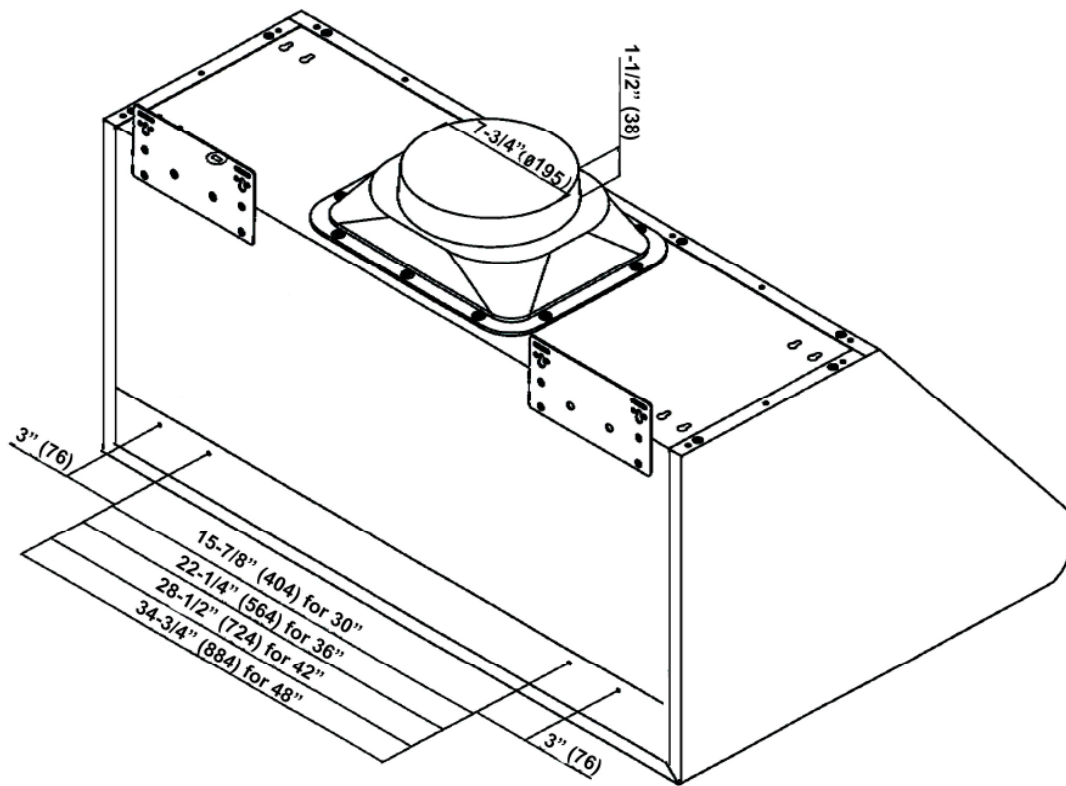


- FOR WALL MOUNT (WITH OPTIONAL DUCT COVER) -

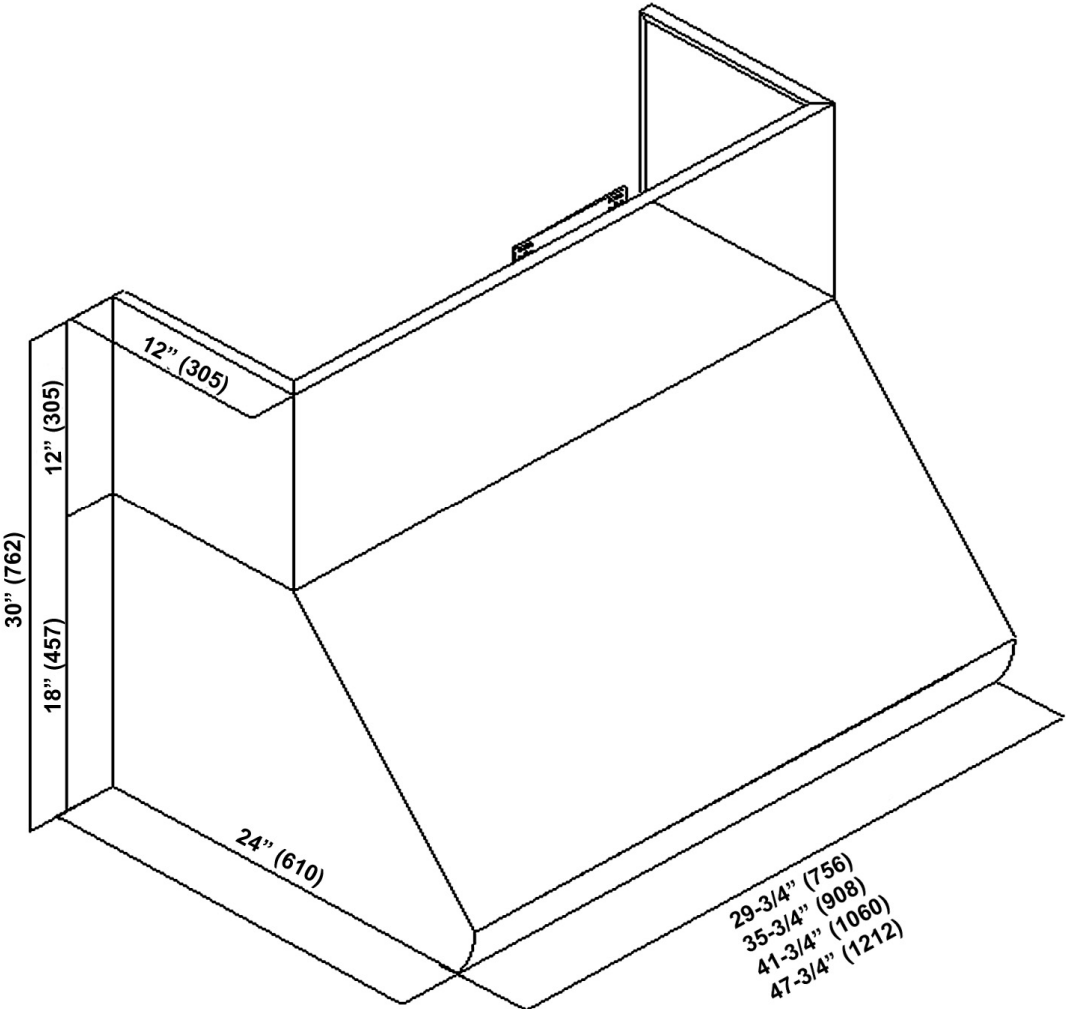
MODEL NO: CH0030SQB
CH0036SQB
CH0042SQB
CH0048SQB



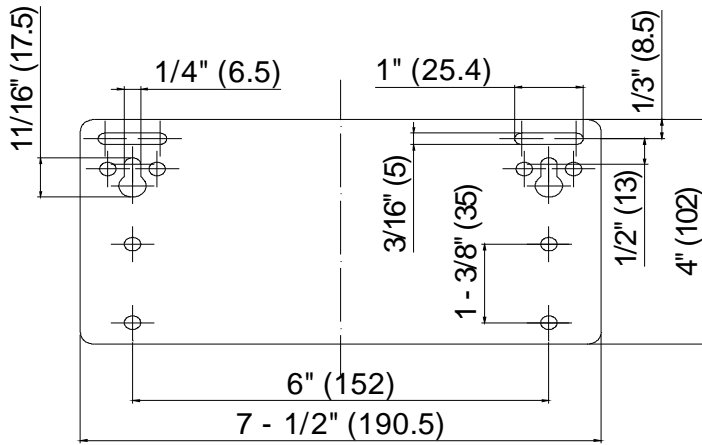
Rear Knockout Holes



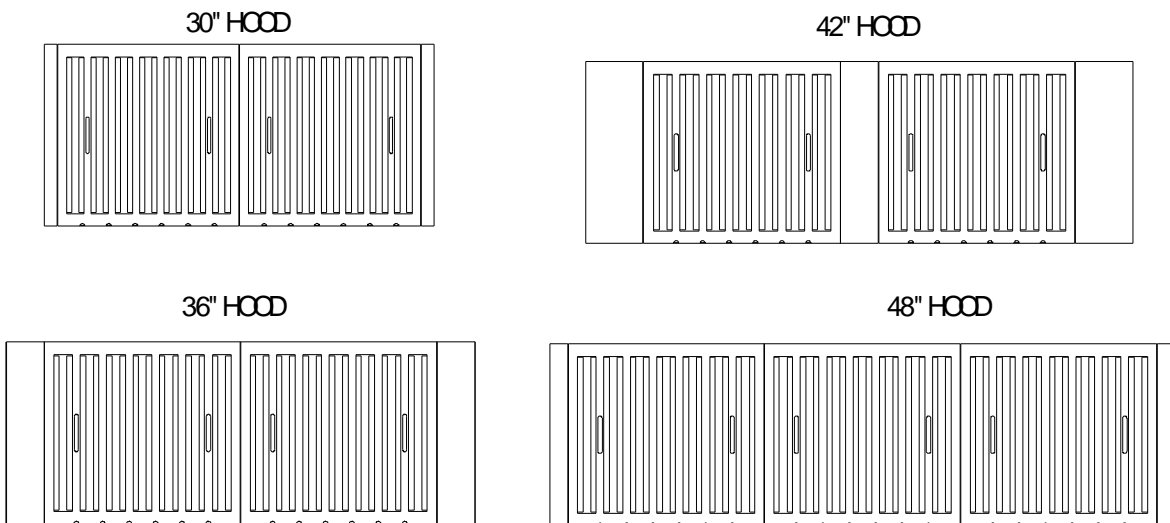
- FOR WALL MOUNT (WITH OPTIONAL DUCT COVER) – (Cont.)



Hood-Mounting Bracket



BAFFLE FILTER & STAINLESS STEEL SPACERS

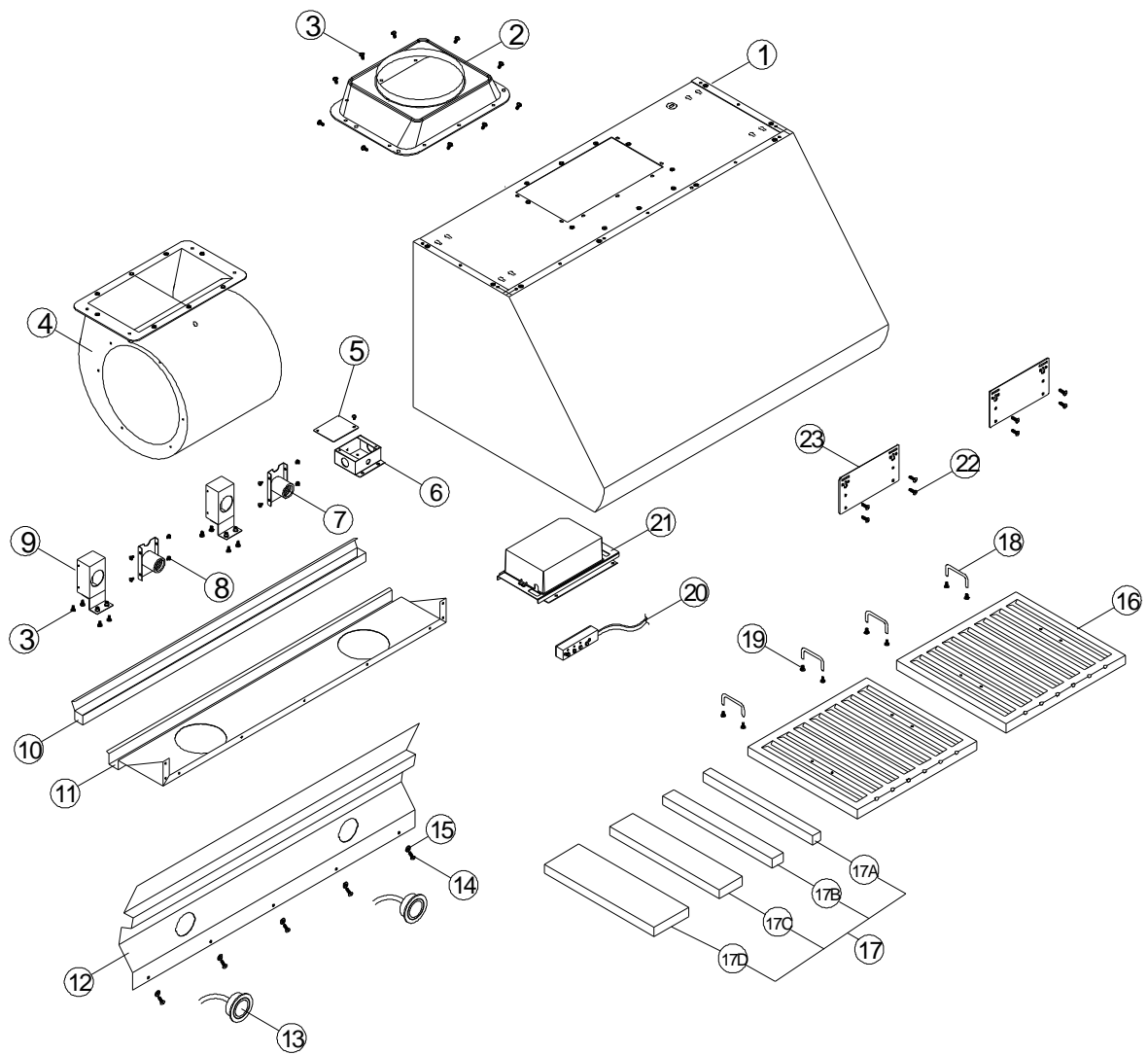


PARTS LIST

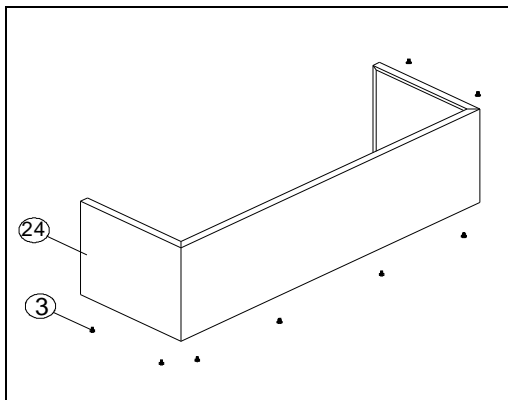
MODEL NO: CH0030SQB
 CH0036SQB
 CH0042SQB
 CH0048SQB

BODY COMPONENTS

NO.	DESCRIPTION	MODEL/SIZE	PART NO.
1	Hood Casing		CH100-1
2	Ducting Transition		CH100-2
3	Screws (3/16" x 3/8")		CH100-3
4	Blower Assembly		CH100-4
5	Wiring Box Cover		CH100-5
6	Wiring Box		CH100-6
7	Heat Lamp Socket		CH100-7
8	Screws (3/16" x 3/8")		CH100-8
9	Heat Lamp Socket Box		CH100-9
10	Oil Tunnel		CH100-10
11	Heat Lamp Panel		CH100-11
12	Halogen Light Panel		CH100-12
13	Halogen Light		CH100-13
14	Screws (3/16" x 3/8")		CH100-14
15	Gasket		CH100-15
16	Baffle Filter		CH100-16
17	Stainless Steel Spacer		
A		CH0030SQB	CH100-17-1
B		CH0036SQB	CH100-17-2
C		CH0042SQB	CH100-17-2
D		CH0048SQB	CH100-17-2
18	Baffle Handle		CH100-18
19	Screws (3/16" x 3/8")		CH100-19
20	Switch Assembly		CH100-20
21	Electrical Assembly		CH100-21
22	Screws (3/16" x 3/8")		CH100-14
23	Hood-Mounting Bracket		CH100-23
Optional Duct Cover (Sold Separately)			
ORIGINAL KIT			
NO.	DESCRIPTION	MODEL/SIZE	PART NO.
24	Duct Cover	CH0030DC-12	
		CH0036DC-12	
		CH0042DC-12	
		CH0048DC-12	
3	Screws (3/16" x 3/8")		

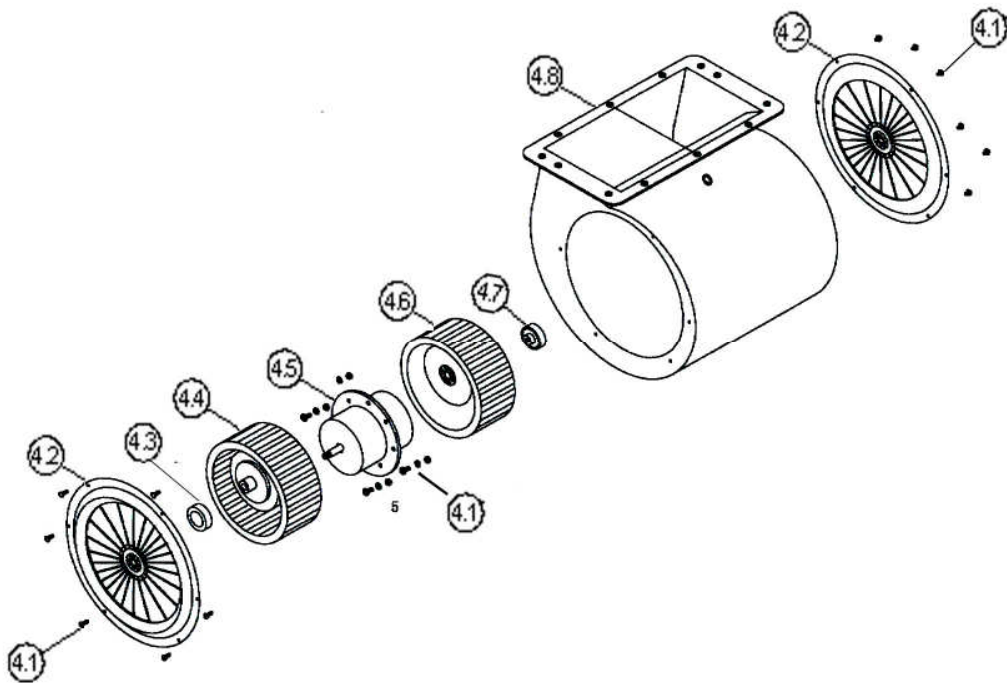


Optional Duct Cover (Sold Separately)



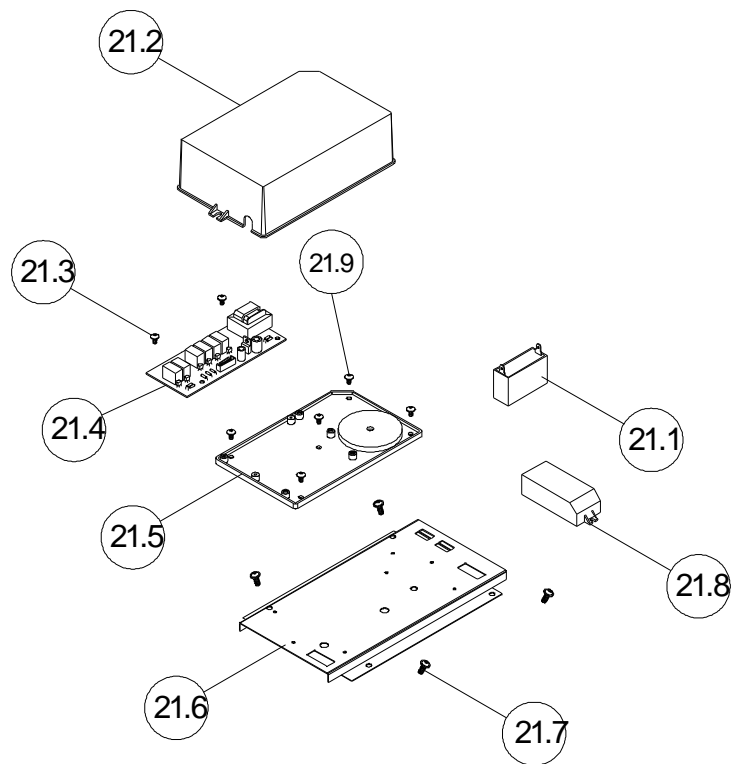
Blower Assembly

NO.	DESCRIPTION	MODEL / SIZE	PART NO.
4.1	Screws (3/16" x 3/8")		CH100-4.1
4.2	Air Flow Grill		CH100-4.2
4.3	Left Locknut		CH100-4.3
4.4	Left Squirrel Cage		CH100-4.4
4.5	Motor		CH100-4.5
4.6	Right Squirrel Cage		CH100-4.6
4.7	Right Locknut		CH100-4.7
4.8	Air Chamber		CH100-4.8



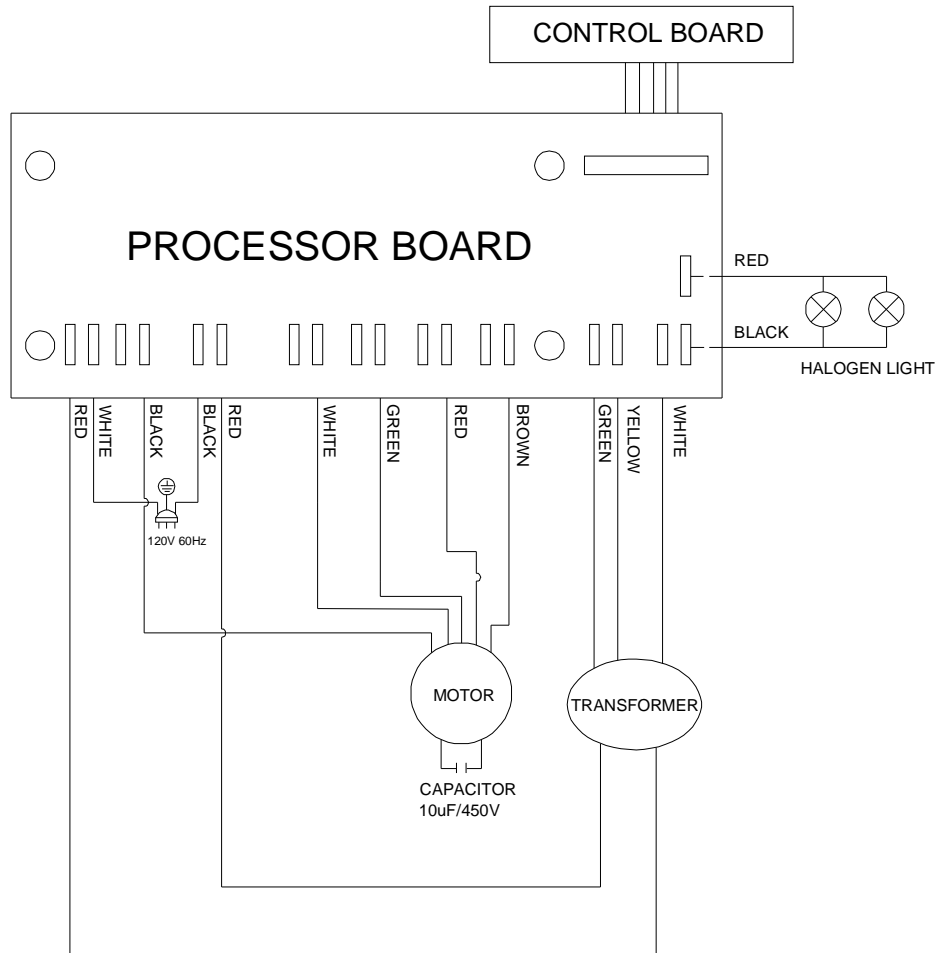
Electrical Assembly

NO.	DESCRIPTION	MODEL / SIZE	PART NO.
21.1	Capacitor		CH100-21.1
21.2	Electrical Box		CH100-21.2
21.3	Screws (3/16" x 3/8")		CH100-21.3
21.4	Processor Board		CH100-21.4
21.5	Electrical Box Cover		CH100-21.5
21.6	Setup Board		CH100-21.6
21.7	Screws (3/16" x 3/8")		CH100-21.7
21.8	Transformer		CH100-21.8
21.9	Screws (3/16" x 3/8")		CH100-21.9

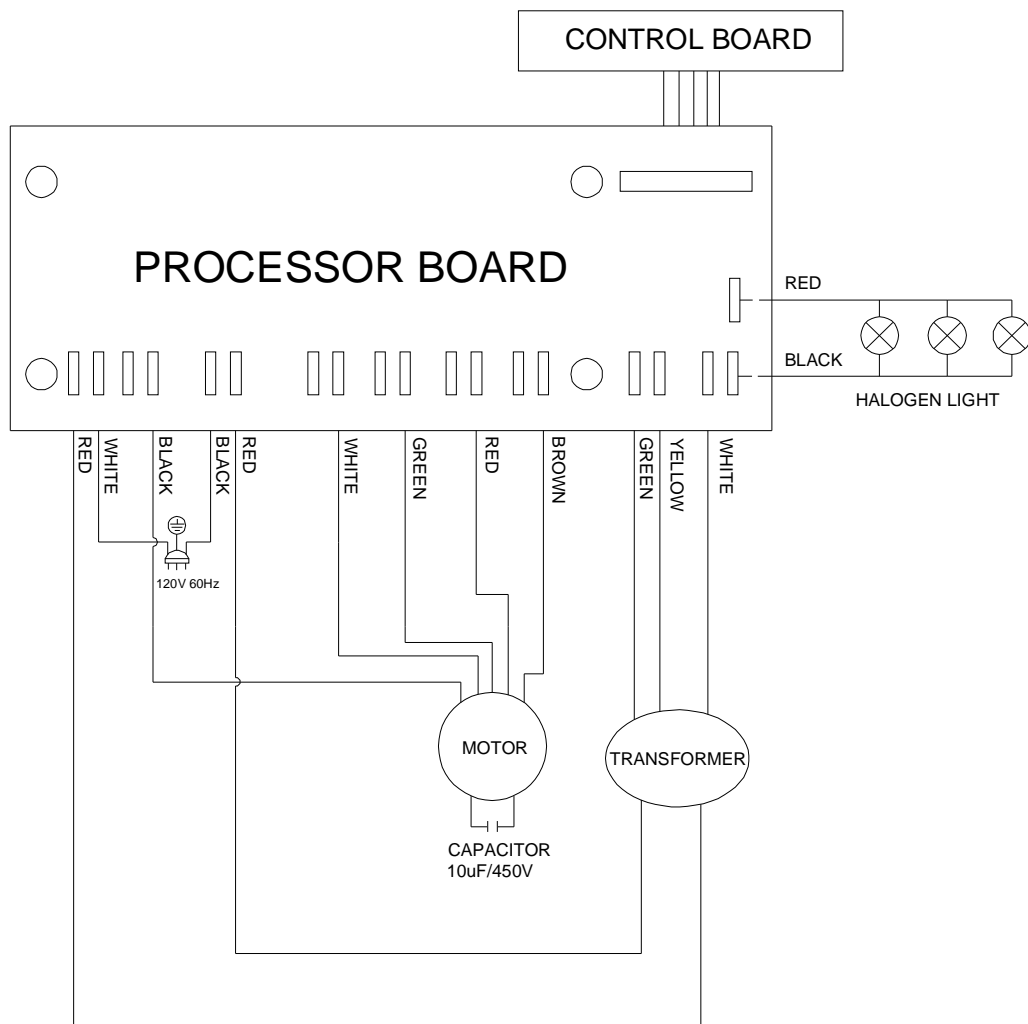


CIRCUIT DIAGRAM

MODEL NO.: CH0030SQB
CH0036SQB



MODEL NO.: CH0042SQB
CH0048SQB



DISCLAIMER

1. **CAREFULLY INSPECT ALL ITEMS FOR DAMAGES BEFORE ACCEPTING DELIVERY. NOTE ANY DAMAGES ON THE FREIGHT BILL OR EXPRESS RECEIPT. REQUEST NAME AND SIGNATURE OF THE CARRIER'S AGENT AND KEEP COPY TO SUPPORT YOUR CLAIM.**

Upon acceptance of items, owner assumes responsibility for its safe arrival. Report damages to the carrier and file a claim immediately. Failure to do so may result in the denial of your claim. The carrier will furnish you with necessary forms for filing a claim.

DAMAGES CAUSED DURING TRANSIT ARE NOT COVERED UNDER OUR WARRANTY.

2. **PLEASE INSPECT CONTENTS OF PACKAGE(S) CAREFULLY UPON RECEIVING!**

We must be notified in writing of any damages and/or missing parts within the allocated days upon your receipt of package(s). Contact your local KOBE dealer or distributor or call KOBE for the time limit.

CLAIMS WILL NOT BE ACCEPTED AFTER THE ALLOCATED DAYS.

NOTE: ITEMS WERE THOROUGHLY TESTED AND CAREFULLY PACKED IN OUR FACTORY BEFORE SHIPPING.

3. Products must be returned in good working condition with ALL original parts and documentation packed in ALL original cartons, fillers and shipping cartons. A restocking fee of 25% will be charged for all approved return(s).

EXCHANGES OR RETURNS MAY NOT BE ACCEPTED IF ANY PACKAGING IS MISSING.

4. **MAKE SURE TO INSPECT THE HOOD FOR DAMAGES AND DEFECTS BEFORE INSTALLATION.** Appearance flaws of the hood found after installation and not affecting hood performance is not covered under our warranty for returns or exchanges. Service visits not covered under warranty will carry a service charge.

A) Before Installation: Return for exchange or refund (please see above for acceptable returns).

B) After Installation: **NO** exchange or refund.

WARRANTY

WARRANTY CERTIFICATE

KOBE Range Hoods, Inc. warrants all products manufactured or supplied by it to be free from defects in workmanship and materials. Its obligations pursuant to this warranty are limited to a period of two years from the date of purchase and to the repair or replacement at its option and subject to the terms and conditions stated below, of any component part, which its examination shall disclose to be so defective.

TWO-YEAR WARRANTY SERVICE PERIOD

Any covered failure occurring within two years of original purchase arising from defective workmanship or material in manufacture will be repaired (or at our discretion, replaced) free of charge by an authorized KOBE Range Hoods Agent or KOBE Range Hoods as applicable. Keep proof of purchase (or original invoice) handy for inspection.

If the range hood is sold by the original purchaser during the warranty period the new owner is protected until expiration of the original purchaser's warranty.

CONDITIONS

The following conditions apply only in relation to the warranty expressly given in this certificate.

- 1) This warranty applies only:
 - a) within U.S.A. and Canada.
 - b) to range hoods used for PRIVATE SINGLE FAMILY USE (if used for COMMERCIAL or MULTIPLE FAMILY USE or other purposes, warranty will be voided).
- 2) Repair of any fault to be provided under this warranty shall not be provided:
 - a) if the identification number attached to the range hood has been altered, rendered illegible or removed;
 - b) if notice of the defect has not been given within the period applicable;
 - c) for failure of light bulbs or heat lamps;
 - d) for physical damage;
 - e) for surfaces damaged by use of improper chemical cleaning agents;
 - f) if the appliance has been:
 - i) subject to misuse, abuse, negligence, accident, incorrect installation or failure to follow the operating instructions;
 - ii) connected to improper, inadequate or faulty electricity service or exhaust ducts, flues or duct cover, or operated using incorrect or contaminated lubricants;
 - iii) installed, maintained or operated otherwise than in accordance with the instructions furnished by KOBE Range Hoods including the improper use of detergents, bleaches, or cleaners.
 - g) for damage to range hood during transit, delivery, installation or removal;
 - h) for damage by or resulting from attempted repairs conducted by anyone other than our Authorized Service Agent.

- 3) The purchaser shall be responsible for any expenses involved in making the range hood readily accessible for servicing and where the range hood is installed outside the main sales territory of the retailer or service territory of the nearest approved KOBE Range Hoods Agent as applicable, for any traveling expenses and any costs of transporting the range hood or parts thereof to and from the dealer or Service Agent
- 4) The purchaser must produce proof of purchase together with this warranty certificate when making the claim.
- 5) Damages caused during shipment are not covered under our warranty.

CONSEQUENTIAL DAMAGE

The warrantor is not responsible for any consequential damage. SOME STATES DO NOT ALLOW THE EXCLUSION OF CONSEQUENTIAL DAMAGE SO THE ABOVE EXCLUSION MAY NOT APPLY TO YOU.

IMPLIED WARRANTIES/STATE LAW

Any implied warranties, including the implied warranty of merchantability and fitness for purpose, imposed on the sale by the laws of the state of sale are limited to two year from the date of original purchase. Some states do not allow limitations on the duration of implied warranties. This warranty gives you specific legal rights, and may also have rights, which vary from state to state.

SERVICE

For service contact:

KOBE Range Hoods
10505 Valley Blvd, Suite 302
El Monte, CA 91731
U.S.A
Tel: (626) 350-1355 Fax: (626) 350-1976
Email: customer.service@KOBERangeHoods.com
Website: www.KOBERangeHoods.com

PRODUCT REGISTRATION

Register Your Product!

Any covered failure occurring within two years of original purchase arising from defective workmanship or material in manufacture will be repaired or at our option the unit will be replaced free of charge by an authorized KOBE Range Hoods Agent or KOBE Range Hoods as applicable. Keep proof of purchase (original invoice) handy for inspection.

If the range hood is sold by the original purchaser during the warranty period the new owner is protected until expiration of the original purchaser's warranty. See warranty section for complete warranty coverage information.

This appliance has been manufactured, tested, and inspected to the standards required by KOBE Range Hoods.

PLEASE MAIL IN YOUR WARRANTY REGISTRATION CARD AND PROOF OF PURCHASE TO:

KOBE Range Hoods
10505 Valley Blvd Suite # 302
El Monte, CA 91731 USA

RECORD THE FOLLOWING INFORMATION FOR YOUR RECORD:

Model No. _____

Serial No. _____

Purchased Date ____/____/____

Purchased From:

IMPORTANT: PLEASE KEEP A COPY OF YOUR SALE RECEIPT OR INVOICE HANDY WHEN REQUESTING SERVICE.

{THIS PAGE LEFT PURPOSEELY BLANK}

KOBE[®]

KOBE Range Hoods
10505 Valley Blvd Suite # 302
El Monte, CA 91731 USA

<http://www.KOBERangeHoods.com>

This KOBE hood is manufactured for use in the USA and CANADA only. We do not recommend using this hood overseas as the power supply may not be compatible and may violate the electrical code of that country. **Using a KOBE hood overseas is at your own risk and will void your warranty.**

VER.070601

Free Manuals Download Website

<http://myh66.com>

<http://usermanuals.us>

<http://www.somanuals.com>

<http://www.4manuals.cc>

<http://www.manual-lib.com>

<http://www.404manual.com>

<http://www.luxmanual.com>

<http://aubethermostatmanual.com>

Golf course search by state

<http://golfingnear.com>

Email search by domain

<http://emailbydomain.com>

Auto manuals search

<http://auto.somanuals.com>

TV manuals search

<http://tv.somanuals.com>