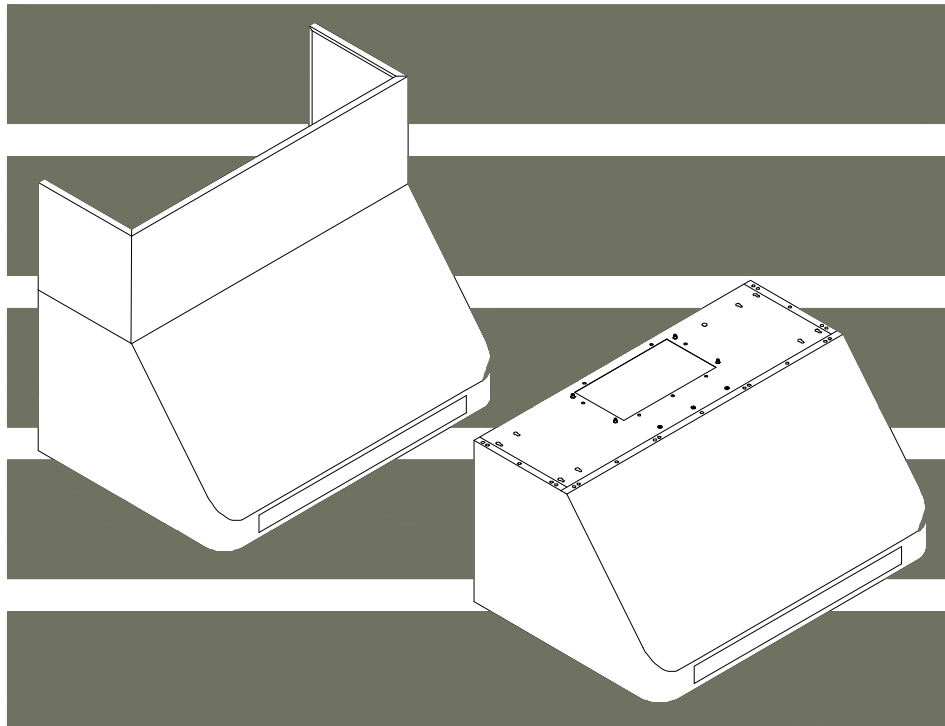


KOBE® **KOBE Brand Range Hood**

Model No.: CH0130SQB
CH0136SQB
CH0142SQB
CH0148SQB

CH-101 SERIES – 18” HEIGHT



INSTALLATION INSTRUCTIONS AND OPERATION MANUAL

- READ AND SAVE THESE INSTRUCTIONS -

CONTENTS

IMPORTANT SAFETY INSTRUCTIONS..... 1
COMPONENTS OF PACKAGE 3
INSTALLATION 4
 UNDER THE CABINET INSTALLATION6
 STAND ALONE INSTALLATION9
OPERATING INSTRUCTIONS 12
MAINTENANCE 14
SPECIFICATIONS 16
MEASUREMENTS & DIAGRAMS..... 17
PARTS LIST 22
CIRCUIT DIAGRAM..... 27
DISCLAIMER 29
WARRANTY 30
PRODUCT REGISTRATION..... 32

- READ ALL INSTRUCTIONS CAREFULLY BEFORE STARTING -

ALL WIRING MUST BE DONE BY A PROFESSIONAL AND IN ACCORDANCE WITH NATIONAL AND LOCAL ELECTRICAL CODES.



IMPORTANT SAFETY INSTRUCTIONS

- PLEASE READ THIS SECTION CAREFULLY BEFORE INSTALLATION -

 **WARNING:** TO REDUCE THE RISK OF FIRE, ELECTRIC SHOCK OR PERSONAL INJURY, OBSERVE THE FOLLOWING:

- 1) Installation and electrical wiring must be done by qualified professionals and in accordance with all applicable codes and standards, including fire-rated construction.
- 2) When cutting or drilling into wall or ceiling, be careful not to damage electrical wiring or other hidden utilities.
- 3) Ducted fans must be vented to the outside.
 - a) Before servicing or cleaning unit, open the light panel and SWITCH POWER OFF AT SERVICE PANEL.
 - b) Clean fan, baffles/filters and grease laden surfaces frequently. To reduce the risk of fire and to disperse air properly; make sure to vent air outside. DO NOT vent exhaust air into wall spaces, attics, crawl spaces or garages.

NOTE - This warranty is invalid without an authorized agent's receipt or if unit is damaged due to misuse, poor installation, improper use, mistreatment, negligence or any other circumstances beyond the control of KOBE RANGE HOODS authorized agents. Any repair carried out without the supervision of KOBE RANGE HOODS authorized agents will automatically void the warranty.

- KOBE RANGE HOODS will not be held responsible for any damages to personal property or real estate or any bodily injuries whether caused directly or indirectly by the range hood.

 **WARNING:** TO REDUCE THE RISK OF PERSONAL INJURY IN THE EVENT OF A RANGE TOP GREASE FIRE:

- Keep fan, baffle/filter, if any, and grease-laden surfaces clean.
- Always turn hood ON when cooking at high heat.
- Use high settings on cooking range ONLY when necessary.
- Do not leave cooking range unattended when cooking.
- Always use cookware and utensils appropriate for the type and amount of food prepared.
- Use this unit only in the manner intended by the manufacturer.
- Before servicing, switch power off at service panel and lock service panel (if possible) to prevent power from switching on accidentally.
- Clean ventilating fans frequently. Grease should not be allowed to accumulate on fan and baffles/filters.

What to Do In The Event Of a Range Top Grease Fire

- SMOTHER FLAMES with a close fitting lid, cookie sheet, or metal tray, and then turn off the burner. KEEP FLAMMABLE OR COMBUSTIBLE MATERIAL AWAY FROM FLAMES. If the flames do not go out immediately, EVACUATE THE AREA AND CALL THE FIRE DEPARTMENT or 911.
- NEVER PICK UP A BURNING PAN – You May Get Burned.
- DO NOT USE WATER, including wet dishcloths or towels – a violent steam blast will result.
- Use an extinguisher ONLY if:
 - 1) You have a Class A, B, C extinguisher and know how to operate it.
 - 2) The fire is small and contained in the area where it started.
 - 3) The fire department has been called.
 - 4) You can fight the fire with your back to an exit.

What to Do If You Smell Gas

- Extinguish any open flame.
- Do not try to turn on the lights or any type of appliance.
- Open all doors and windows to disperse the gas. If you still smell gas, call the Gas Company and Fire Department right away.

CAUTION

- 1) For general ventilation use only. Do not use to exhaust hazardous or explosive materials and vapors.
- 2) To reduce the risk of fire, use only metal ductwork.
- 3) Follow the heating equipment manufacturer's guideline and safety standards such as those published by the National Fire Protection Association (NFPA), and the American Society for Heating, Refrigeration and Air Conditioning Engineers (ASHRAE), and code authorities. Activating any switch on may cause ignition or an explosion.

WARNING



ELECTRICAL SHOCK HAZARD – Can result in serious injury or death. Disconnect appliance from electric power before servicing. If equipped, the fluorescent light bulb contains small amounts of mercury, which must be recycled or disposed of according to Local, State, and Federal Codes.

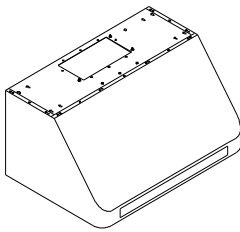
COMPONENTS OF PACKAGE

(Must keep all material for returns or refunds)

RANGE HOOD BOX

- KOBE Range Hood – 1
- Warranty Registration Card –1
- Instructions Manual – 1
- Baffle Filter
 - 2 (30", 36", 42")
 - 3 (48")
- Stainless Steel Spacer
 - 0 (30")
 - 1 (36")
 - 2 (42", 48")
- Oil Tunnel – 1
- Ducting Transition – 1
- Screw Package for Transition – 1
- Hood-Mounting Bracket-2
- Screw Package for Hood-Mounting Bracket –1

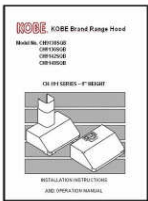
①



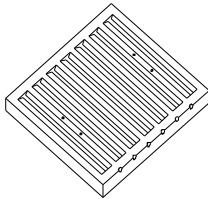
②



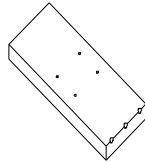
③



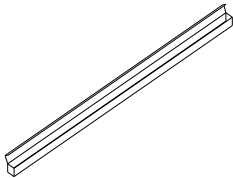
④



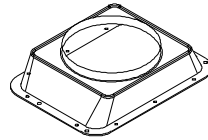
⑤



⑥



⑦

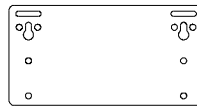


⑧



3/16" X 3/8" (10 pc) Washer (10 pc)

⑨



⑩



3/16" X 3/8" (8 pc)

DUCT COVER KIT (Sold Separately)

Option Of:

Model No. CH0030DC-12 for 30" hood

- KOBE Duct Cover – 1
- Screw Package for Duct Cover - 1

Model No. CH0036DC-12 for 36" hood

- KOBE Duct Cover – 1
- Screw Package for Duct Cover - 1

Model No. CH0042DC-12 for 42" hood

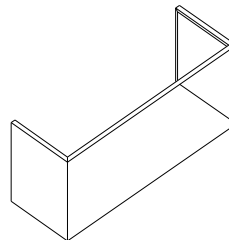
- KOBE Duct Cover – 1
- Screw Package for Duct Cover - 1

Model No. CH0048DC-12 for 48" hood

- KOBE Duct Cover – 1
- Screw Package for Duct Cover - 1



3/16" X 3/8" (8 pc)



- * OPTIONAL RECIRCULATING KIT ALSO AVAILABLE.
- * FOR MORE INFORMATION, PLEASE VISIT OUR WEBSITE
WWW.KOBERANGEHOODS.COM OR CONTACT KOBE RANGE HOODS AT (626) 350-1355.

INSTALLATION

PLEASE READ ENTIRE INSTRUCTION BEFORE PROCEEDING

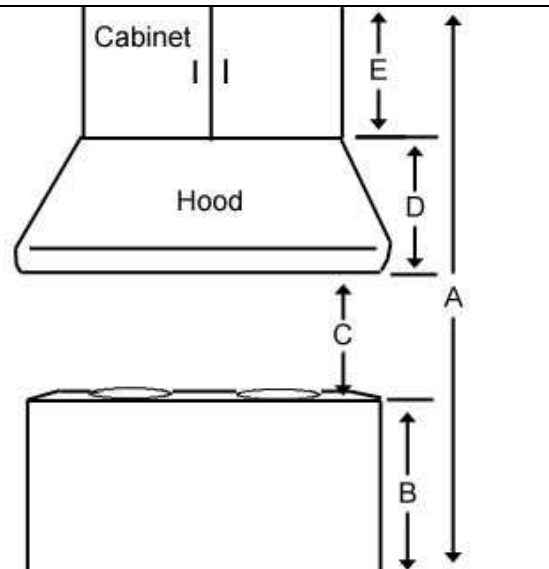
Calculation before Installation

To calculate installation, please refer to Table 1. (All calculation in inches.)

- FOR UNDER THE CABINET -

TABLE 1

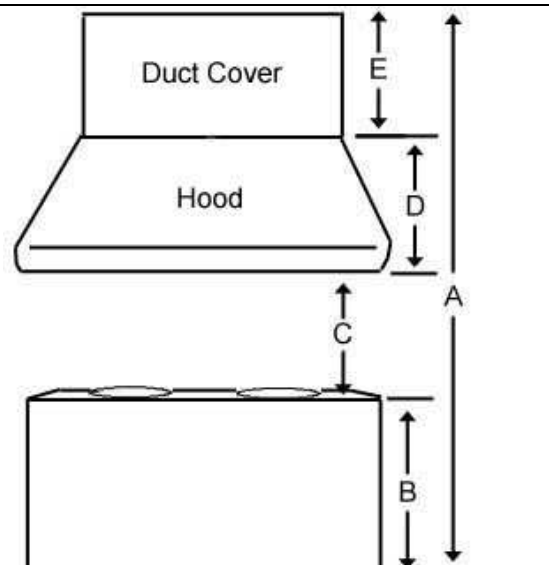
- A = Height of Floor to Ceiling
 B = Height of Floor to Counter Top
 (Standard: 36")
C = Preferred Height of Counter Top to Hood Bottom (Recommended 27" to 30")
 $[(A - B) - (D + E)]$
 D = Height of Hood
 E = Height of the Cabinet



- FOR STAND ALONE (WITH OPTIONAL DUCT COVER) -

TABLE 2

- A = Height of Floor to Ceiling
 B = Height of Floor to Counter Top
 (Standard: 36")
C = Preferred Height of Counter Top to Hood Bottom (Recommended 27" to 30")
 $[(A - B) - (D + E)]$
 D = Height of Hood
 E = Height of the Cabinet



 **SAFETY WARNING**

HOOD MAY HAVE VERY SHARP EDGES; PLEASE WEAR PROTECTIVE GLOVES IF REMOVING ANY PARTS FOR INSTALLING, CLEANING OR SERVICING.

NOTE: USING ELECTRICAL SCREWDRIVERS MAY CAUSE DAMAGE TO THE HOODS.

Installation Table of Contents

UNDER THE CABINET INSTALLATION.....6

Preparation Before Installation.....6

Hood Installation6

Ductwork Installation.....7

Wiring to Power Supply.....7

Final Assembly7

STAND ALONE INSTALLATION9

Preparation Before Installation.....9

Hood Preparation Before Installation9

Hood Installation9

Wiring to Power Supply.....10

Duct Cover Installation.....11

Final Assembly11

UNDER THE CABINET INSTALLATION

Preparation Before Installation

NOTE: TO AVOID DAMAGE TO YOUR HOOD, PREVENT DEBRIS FROM ENTERING THE VENT OPENING.

- Decide the location of the venting pipe from the hood to the outside. Refer to Figure 1.
- A straight, short vent run will allow the hood to perform more efficiently.
- Try to avoid as many transitions, elbows, and long runs as possible. This may reduce the performance of the hood.
- Temporarily wire the hood to test for proper operation before installing.
- NOTE: Peel protective film off the hood and parts (if any).
- To install hood under a cabinet with recessed bottom, attach 4-inch wide wood filler strips (not included) on each side. Refer to Figure 2.
- Using references in Table 1 and Measurements and Diagrams on pages 17-18, create access opening for electrical wires and ducting transition under the cabinet.

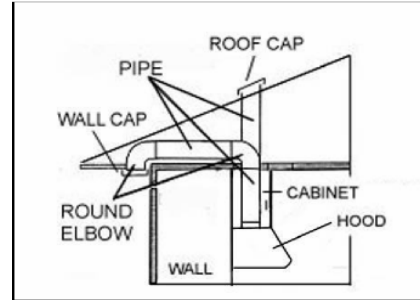


Figure 1

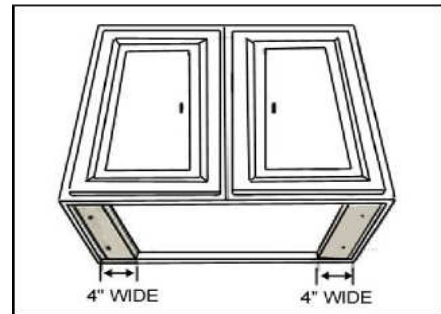


Figure 2

Hood Installation

⚠ CAUTION: If moving the cooking range is necessary to install the hood, turn off the power in an electric range at the main electrical box. **SHUT OFF THE GAS BEFORE MOVING A GAS RANGE.**

1. Puncture the knockout holes (for mounting under the cabinet) on the hood as shown in Figure 3.
2. Attach ducting transition to hood exhaust with ten (3/16" x 3/8") screws (provided). Shown in Figure 4.
3. Draw electrical wires through cabinet access opening.
4. Center the hood beneath the cabinet and flush with the front of the cabinet.
5. From the bottom of the hood, place mounting screw (not provided) through each knockout hole and secure to cabinet bottom. Once all mounting screws are in place, finish tightening screws until secure. **CAUTION: MAKE SURE HOOD IS SECURE BEFORE RELEASING.**
6. For safety purpose, extra knockout holes on the back of the hood are provided for a more secure installation. Knock out as many holes as needed and secure with screws (not provided) from the inside of hood.

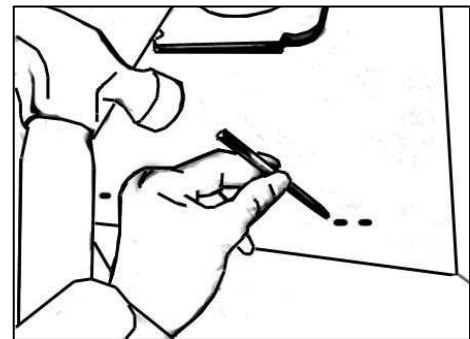


Figure 3

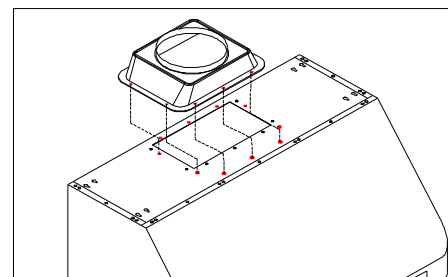


Figure 4

Ductwork Installation

7. Use 8" aluminum or steel pipe (follow building codes in your area) to connect the ducting transition on the hood to the ductwork above. Use duct tape to seal and secure joints as shown in Figure 5.

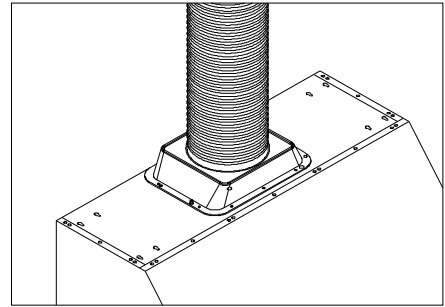


Figure 5

Wiring to Power Supply

⚠ SAFETY WARNING

TO PREVENT THE RISK OF ELECTRICAL SHOCK OR INJURY, ALL RANGE HOODS SHOULD BE PROPERLY GROUNDED AND INSTALLED BY A TRAINED PROFESSIONAL WHO IS KNOWLEDGEABLE ABOUT APPLICABLE NATIONAL AND LOCAL ELECTRICAL CODES.

BEFORE CONNECTING WIRES, SWITCH POWER OFF AT SERVICE PANEL TO PREVENT POWER FROM BEING SWITCHED ON ACCIDENTALLY.

8. Connect electrical wires.
 - Connect three wires (black, white and green) to house wires and cap with wire connectors. Connect wires according to their colors (i.e. black to black, white to white, and green to green). See Figure 6.
 - Prevent wires from slipping between motor and any moving parts by securing in electrical box.

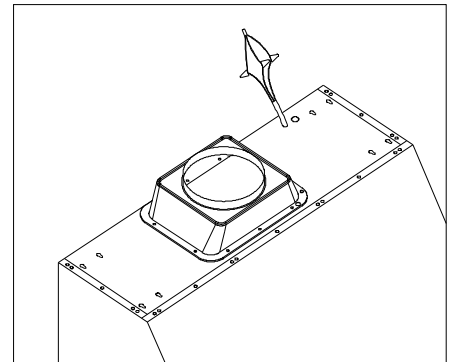


Figure 6

Final Assembly

⚠ CAUTION: Install heating lamps last.

9. Drop Oil Tunnel into support structure. Refer to Figure 7.
10. Angle baffle filter toward back of hood ①. Refer to Figure 8.
11. Push baffle filter up until almost level ②.
12. Slide forward into recess at front of hood ③.
13. Lower baffle filter ④ and slide back until it fits into resting position ⑤.
14. Repeat for all baffle filters and spacers. Refer to Measurements and Diagrams on page 21 for baffle filter and stainless spacer arrangement.

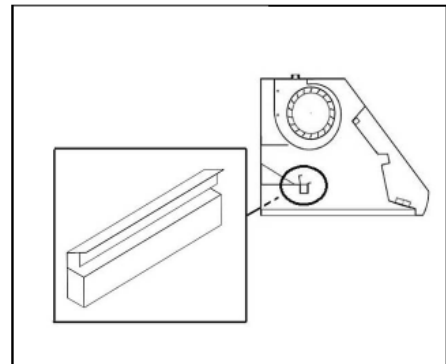


Figure 7

15. Install heating lamps (not provided), 120 Volts 250 Watts max. each.
16. Turn power ON in control panel. Check all lights and fan operation.
17. Make sure to leave this manual for the homeowner

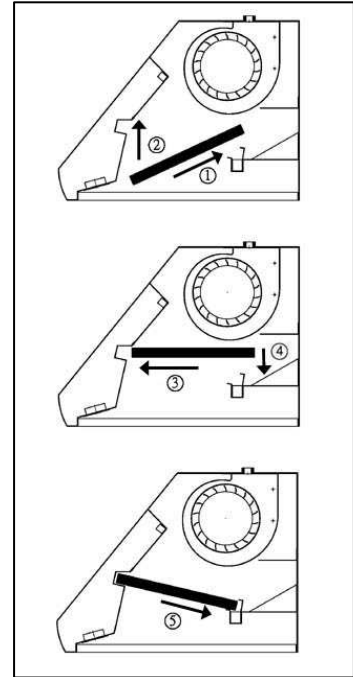


Figure 8

STAND ALONE INSTALLATION

***Follow these installations only if installing with an optional duct cover:

Preparation Before Installation

NOTE: TO AVOID DAMAGE TO YOUR HOOD, PREVENT DEBRIS FROM ENTERING THE VENT OPENING.

- Decide the location of the venting pipe from the hood to the outside. Refer to Figure 9.
- A straight, short vent run will allow the hood to perform more efficiently.
- Try to avoid as many transitions, elbows, and long run as possible. This may reduce the performance of the hood.
- Use duct tape to seal the joints between pipe sections.
- If necessary, prepare back wall frame with cross framing lumber for secure installation.
- Using references in Table 2 and Measurements and Diagrams on pages 19-20, decide the level of the lumber. Refer to Figure 10.

Hood Preparation Before Installation

- Temporarily wire the hood to test for proper operation before installing.
- **Important: Peel protective film off the hood and the duct cover (if any).**
- Attach ducting transition to hood exhaust with ten (3/16" x 3/8") screws (provided). Refer to Figure 11.
- Use eight (3/16" x 3/8") screws (provided) to attach the two hood-mounting brackets (provided) to the back of the hood. Refer to Figure 12.

Hood Installation

⚠ CAUTION: If moving the cooking range is necessary to install the hood, turn off the power in an electric range at the main electrical box. **SHUT OFF THE GAS BEFORE MOVING A GAS RANGE.**

1. Using references in Table 2 and Measurements and Diagrams on pages 19-20, mark the leveling point of the hood. Position two mounting screws (not provided) on the wall, leaving 1/8" away from the wall. Refer to Figure 13

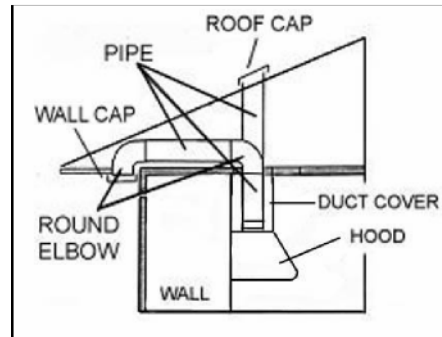


Figure 9

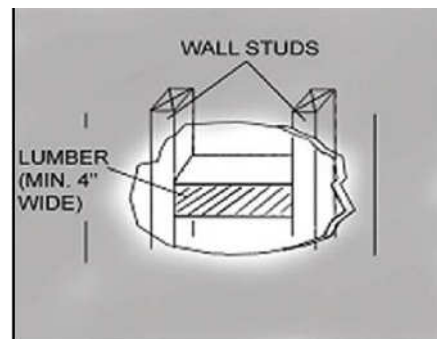


Figure 10

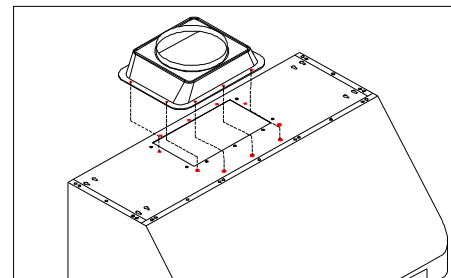


Figure 11

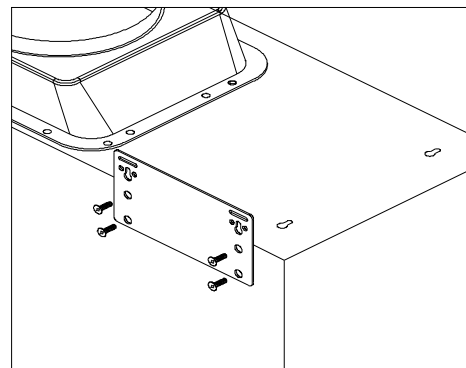


Figure 12

2. Align hood-mounting bracket to the two screws on the wall and hook hood into place. Tighten screws to secure hood to the wall.
3. For safety purpose, extra knockout holes on the back of the hood are provided for a more secure installation. Knock out as many holes as needed and secure with screws (not provided) from the inside of hood.

⚠ CAUTION: MAKE SURE HOOD IS SECURE BEFORE RELEASING.

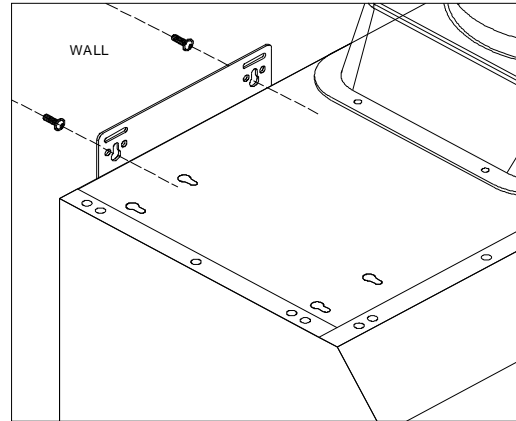


Figure 13

Wiring to Power Supply

⚠ SAFETY WARNING

TO PREVENT THE RISK OF ELECTRICAL SHOCK OR INJURY, THIS RANGE HOOD SHOULD BE PROPERLY GROUNDED AND INSTALLED BY A TRAINED PROFESSIONAL WHO IS KNOWLEDGEABLE ABOUT APPLICABLE NATIONAL AND LOCAL ELECTRICAL CODES. BEFORE CONNECTING WIRES, SWITCH POWER OFF AT SERVICE PANEL TO PREVENT POWER FROM BEING SWITCHED ON ACCIDENTALLY.

4. Connect the electrical wires.
 - Connect three wires (black, white and green) to house wires and cap with wire connectors. Connect according to color: black to black, white to white, and green to green as shown in Figure 14.
 - Prevent wires from slipping between motor and any moving parts by securing in electrical box.

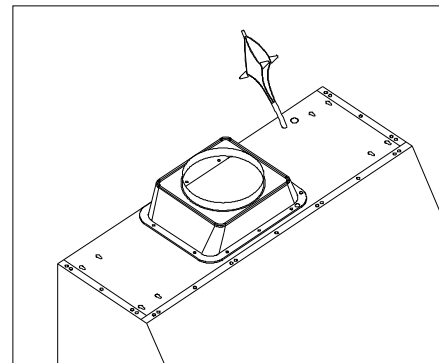


Figure 14

Duct Cover Installation

5. Use 8" aluminum or steel pipe (follow building codes in your area) to connect the ducting transition on the hood to the ductwork above. Use duct tape to seal and secure joints as shown in Figure 15. Slide the duct cover onto the hood.
6. Use 3/16" x 3/8" screws (provided) to attach duct cover to hood.

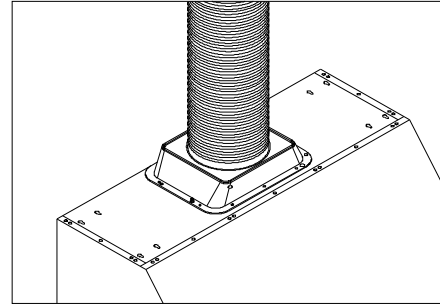


Figure 15

Final Assembly

CAUTION: Install heating lamps last.

7. Drop Oil Tunnel into support structure. Refer to Figure 7.
8. Angle baffle filter toward back of hood ①. Refer to Figure 8.
9. Push baffle filter up until almost level ②.
10. Slide forward into recess at front of hood ③.
11. Lower baffle filter ④ and slide back until it fits into resting position ⑤.
12. Repeat for all baffle filters and spacers. Refer to Measurements and Diagrams on page 21 for baffle filter and stainless spacer arrangement.
13. Install heating lamps (not provided), 120 Volts 250 Watts max. each.
14. Turn power ON in control panel. Check all lights and fan operation.
15. Make sure to leave this manual for the homeowner.

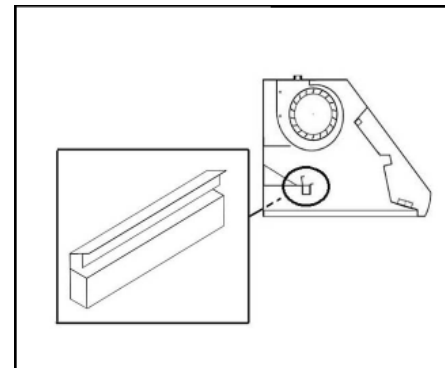


Figure 16

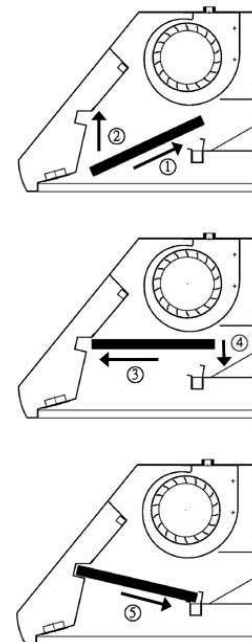


Figure 17

OPERATING INSTRUCTIONS

This KOBE hood is equipped with touch-sensor screen and features 3 minute delay shutoff, powerful centrifugal squirrel cage with baffle filters, bright 12-volt 20-watt halogen lights and heating lamp capability (heating lamps not included).

The touch-sensor screen has Heat Lamp Control, Light Control, Speed Control (QuietMode™, Low, Medium and High), and Power Control. Refer to Figure 18.

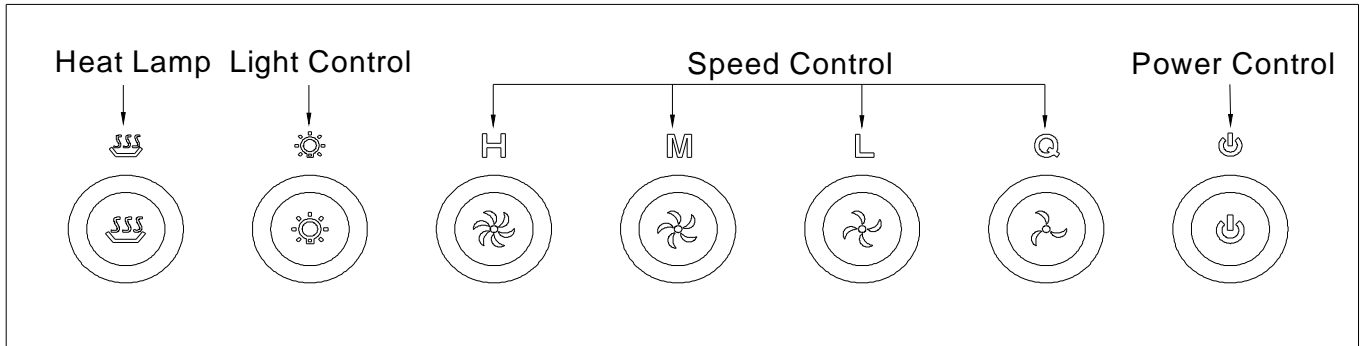



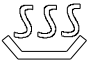










Figure 18





Power Control

- Once power is supplied to the KOBE hood, the  sign will light up and remain lit as long as power is supplied to the hood.
- To activate, gently touch the  symbol under the Power Control  sign. The remaining control       signs will light up and is ready for function choice.
- You can turn hood off immediately or after a 3 minute delay.

Turn Off Immediately



Gently tap the  symbol under the Power Control  sign twice, the range hood will turn off immediately leaving only the  sign lit.



Turn Off After 3 Minute Delay


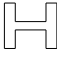
Gently touch the  symbol under the Power Control  sign once, the  symbol flashes and after 3 minutes, the hood will turn off leaving only the  sign lit.

Speed Control:





- There are four speeds: QuietMode™, Low, Medium, and High. To activate the speed, touch the control under the speed sign. For example, if turning on hood at low speed, gently touch

the  symbol under the  sign. If you want to switch from low to high speed, touch

the  symbol under the  sign and the hood change to high speed. To turn off only

speed control (if, for example, halogen lights are also on), touch the  symbol under the  sign.

Light Control

- Gently touch the  symbol under the  sign once to turn on the light. Touch the  symbol again to dim the lights. Touch the  symbol a third time will turn off the halogen lights.

Heating Lamp Control

- Gently touch the  symbol under the  sign once to turn on the heat lamps.

Touching the  symbol under the  sign again will turn off heat lamps.

MAINTENANCE



SAFETY WARNING

NEVER PUT YOUR HAND INTO AREA HOUSING THE FAN WHILE THE FAN IS OPERATING.

For optimal operation, clean range hood surface and stainless steel baffle filters regularly.

Cleaning Hood Surface



CAUTION: NEVER USE ABRASIVE CLEANERS, PADS, OR CLOTHS.

Regular care will help preserve the appearance of the hood.

- 1) Use only mild soap or detergent solutions. Dry surfaces using soft cloth.
- 2) If hood looks splotchy (stainless steel hood), use an orange base cleaner to clean the surface of the hood. Avoid getting cleaner on the control switches. Spread a light coating over the surface of the hood and leave on for a few minutes. **CAUTION: Do not leave on too long as this may cause damage to hood finish.** Use soft towel to wipe off the cleaning solution, gently rub away stubborn spots. Use a slightly damp towel to get rid of any cleaning solution. Use dry soft towel to dry the hood.
- 3) To bring glow back into a stainless steel finish, use a stainless steel cleaner.
- 4) DO NOT allow deposits to remain for extended periods.
- 5) DO NOT use ordinary steel wool or steel brushes. Small bits of steel adhering to the surface may cause rust.
- 6) DO NOT allow salt solutions, disinfectants, bleaches, or cleaning compounds to remain in contact with stainless steel for extended periods. Many of these compounds contain chemicals, which may be harmful. Rinse with water after exposure and wipe dry with a clean cloth.

Cleaning Stainless Oil Tunnel, Baffle Filters and Spacers

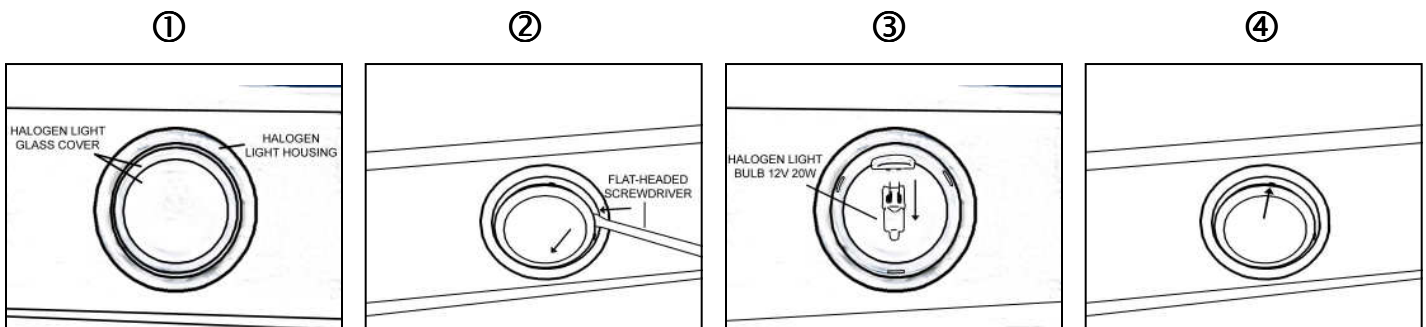
⚠ CAUTION: DRAIN OIL BEFORE RESIDUE CAN OVERFLOW.

1. Remove the baffle filter (reverse the order of baffle installation).
2. Carefully remove oil tunnel.
3. Discard oil and residue.
4. Wash oil tunnel, baffle filters and spacers with warm soapy water.
5. Dry thoroughly and put back.

NOTE: Oil Tunnel, baffle filters and spacers are top rack dishwasher safe.

Replacing Light Bulb

⚠ CAUTION: HALOGEN LIGHT UNIT MAY BE HOT! WAIT UNTIL UNIT IS COOL.



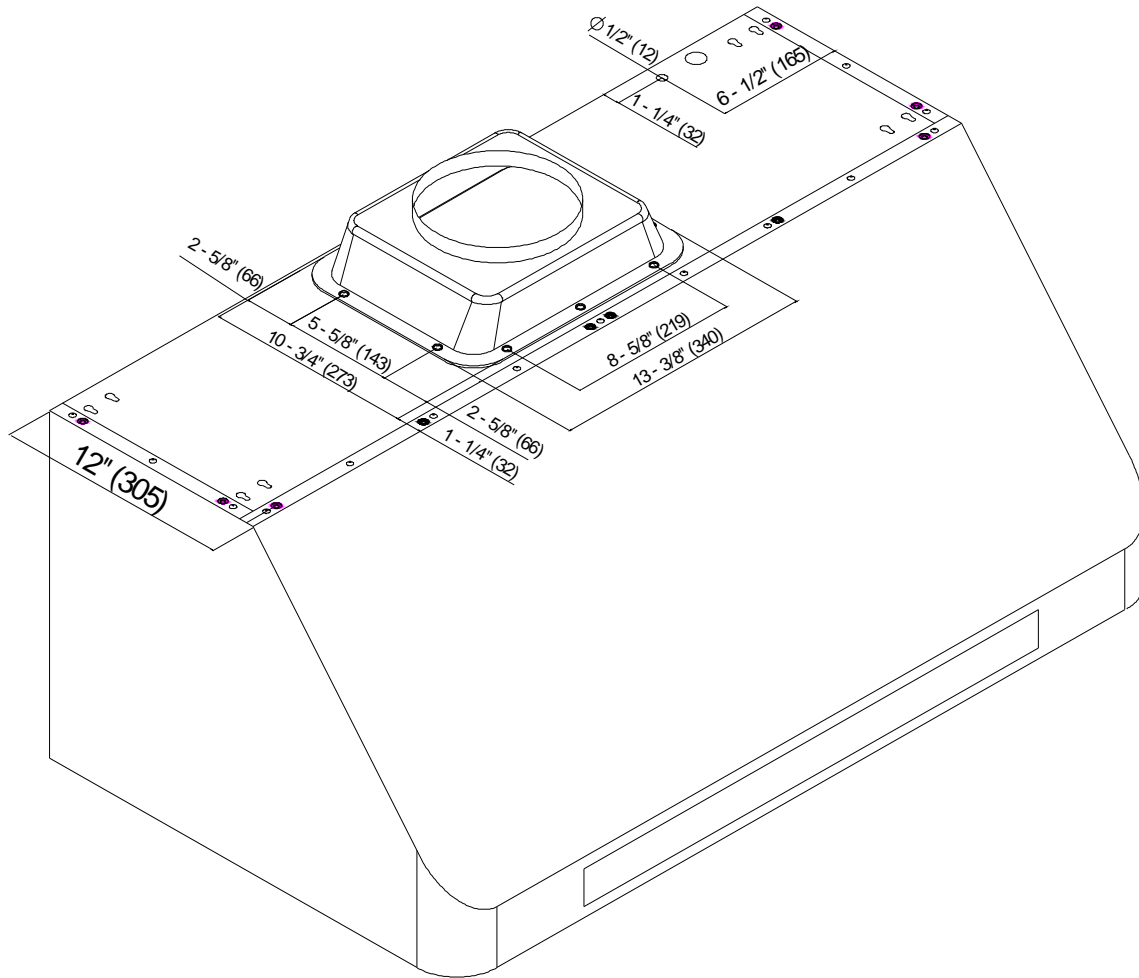
1. Make sure all controls are OFF, and range hood is unplugged.
2. Place a flat-head screwdriver into space between the light cover and light housing ①.
3. Gently remove light cover from housing ②.
4. Gently pull out the defective light bulb ③ and discard. Light bulb should be 12V 20W maximum.
5. Wear a glove or use a cloth to hold new light bulb and push gently but securely into light socket. NOTE: DO NOT PUSH TOO HARD OR YOU MAY BREAK THE BULB CONNECTOR.
6. Put back light cover ④.
7. Plug back power cord and turn on range hood to test for operation.

SPECIFICATIONS

MODEL / SIZE	CH0130SQB / 30"			
	CH0136SQB / 36"			
	CH0142SQB / 42"			
	CH0148SQB / 48"			
COLOR	#304 Commercial Grade Stainless Steel			
CONSUMPTION / AMPERE	900W / 8A			
VOLTAGE	120V 60Hz			
NUMBER OF MOTORS	1			
DESIGN	18 Gauge Seamless / Satin Finish			
FAN TYPE: CENTRIFUGAL	Squirrel Cage			
EXHAUST	Top Transition Rectangular to 8" Round x 1			
CONTROLS	Touch Sensor Screen			
HALOGEN LIGHTS	30" / 36" /42" - 12V20W x 2			
	48" - 12V20W x 3			
HEATING LAMPS	120V 250W Max. x 2 (Light Bulbs Not Included)			
HOOD DIMENSION (W X D X H)	(CH0130SQB) 29-3/4" x 24" x 18"			
	(CH0136SQB) 35-3/4" x 24" x 18"			
	(CH0142SQB) 41-3/4" x 24" x 18"			
	(CH0148SQB) 47-3/4" x 24" x 18"			
OPTIONAL ACCESSORIES (W X D X H)	Original Kit ---Duct Cover			
	(CH0030DC-12) - 30" x 12" x 12"			
	(CH0036DC-12) - 36" x 12" x 12"			
	(CH0042DC-12) - 42" x 12" x 12"			
	(CH0048DC-12) - 48" x 12" x 12"			
HOOD WEIGHT (lbs)		<u>Net</u>	<u>Gross</u>	
	(CH0130SQB)	70	84	
	(CH0136SQB)	75	93	
	(CH0142SQB)	84	104	
	(CH0148SQB)	92	115	
Blower Air Capacity (cfm)*	QuietMode™	Low	Medium	High
	400	600	800	1000
Sone**	1.4	3.5	7.0	8.0

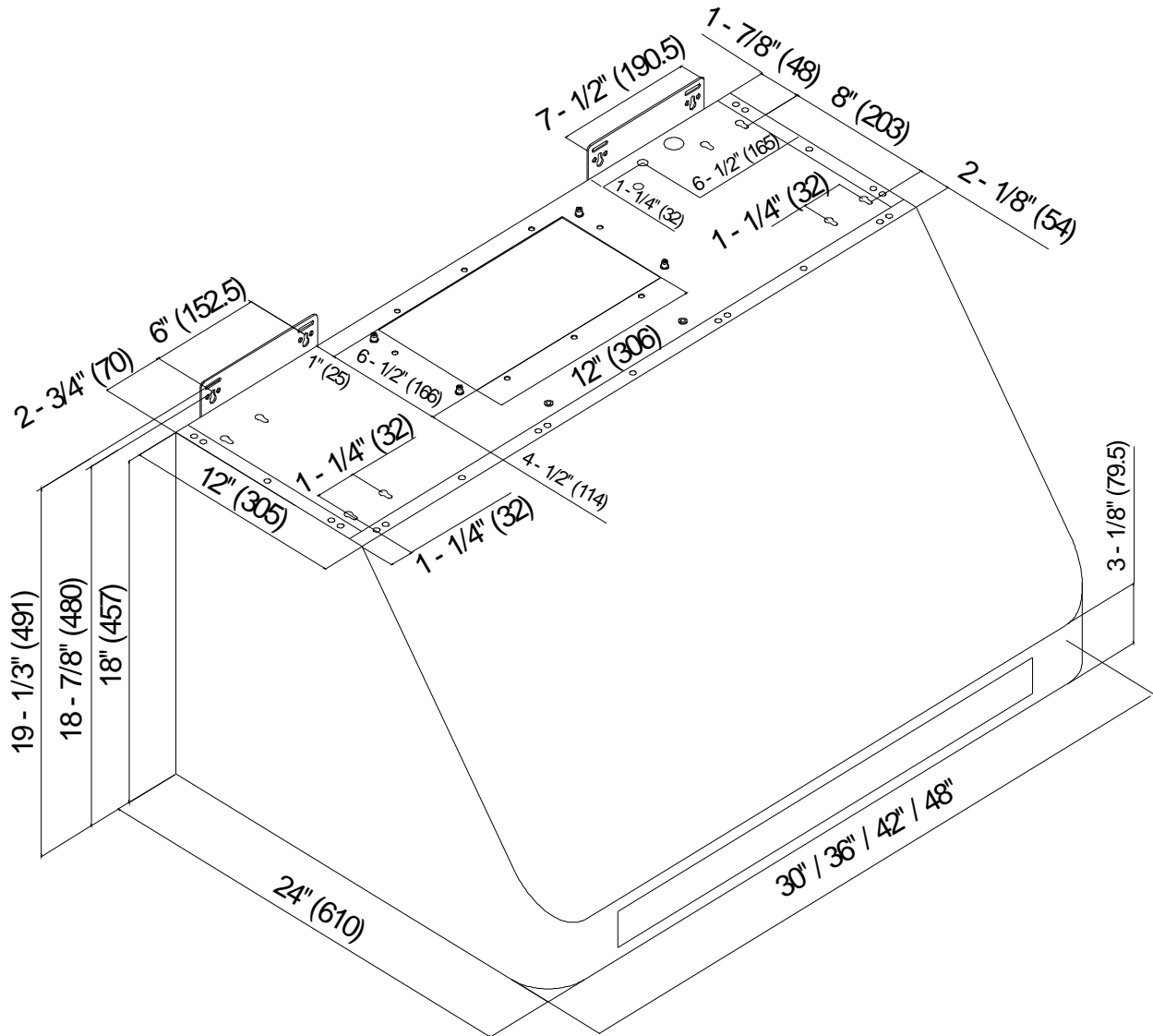
*In House Test Static Pressure "0". **One Sone is equivalent to the sound of a refrigerator at 40 decibels. ***Specifications subject to change without notice.

- FOR UNDER THE CABINET – (Cont.)

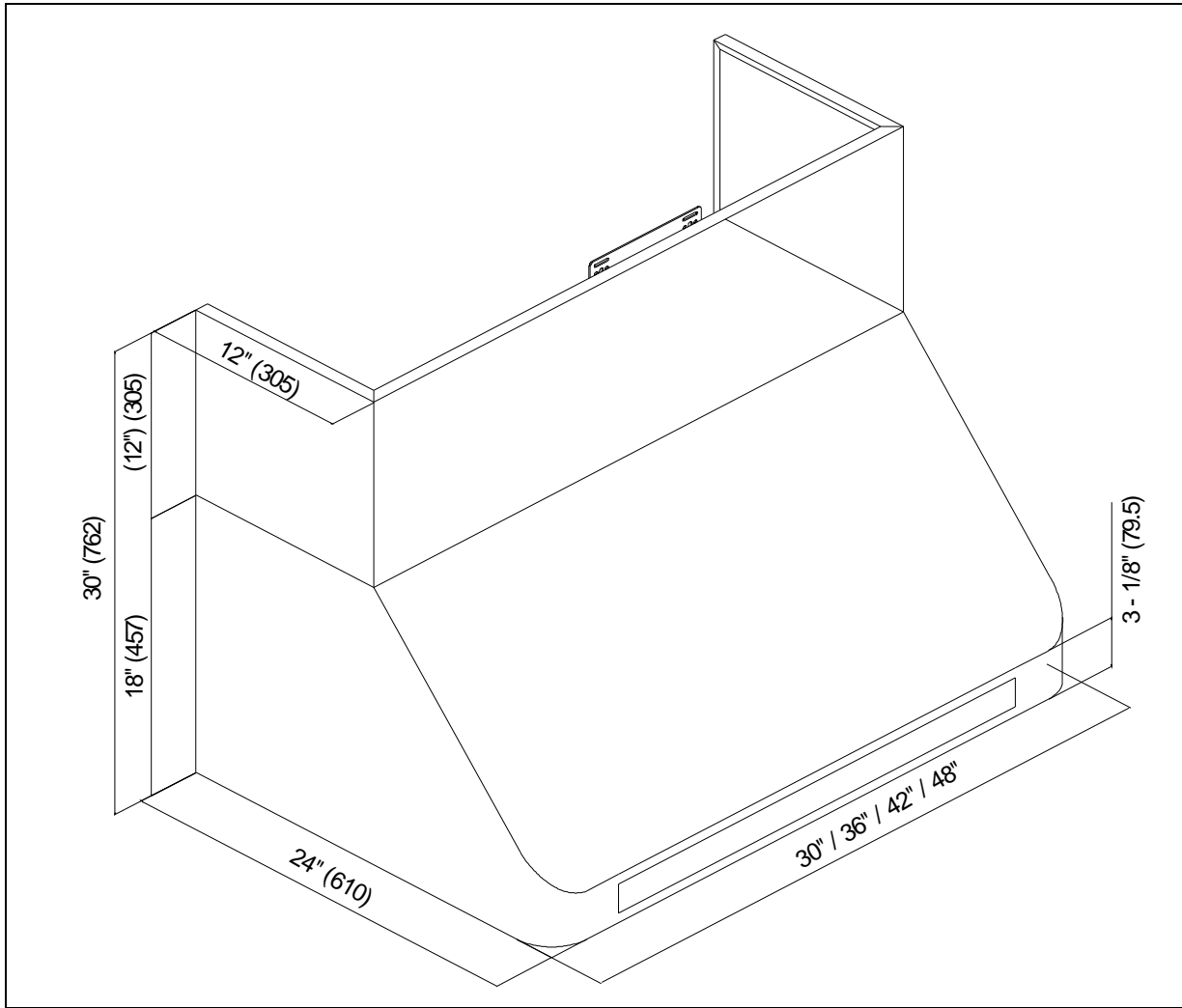


- FOR STAND ALONE (WITH OPTIONAL DUCT COVER) -

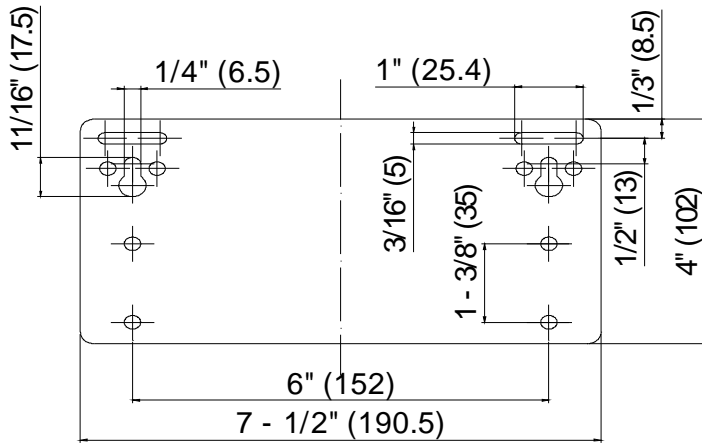
MODEL NO: CH0130SQB
CH0136SQB
CH0142SQB
CH0148SQB



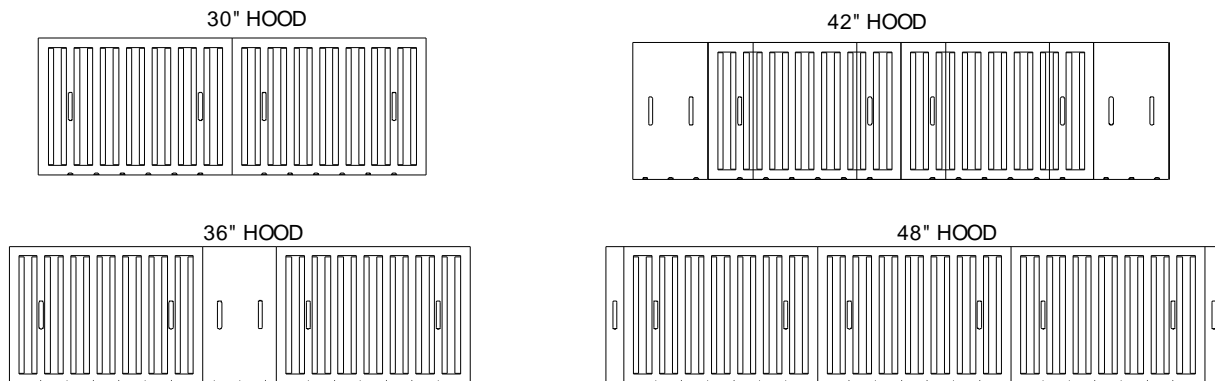
- FOR STAND ALONE (WITH OPTIONAL DUCT COVER) – (Cont.)



Hood-Mounting Bracket



BAFFLE FILTER & STAINLESS STEEL SPACERS

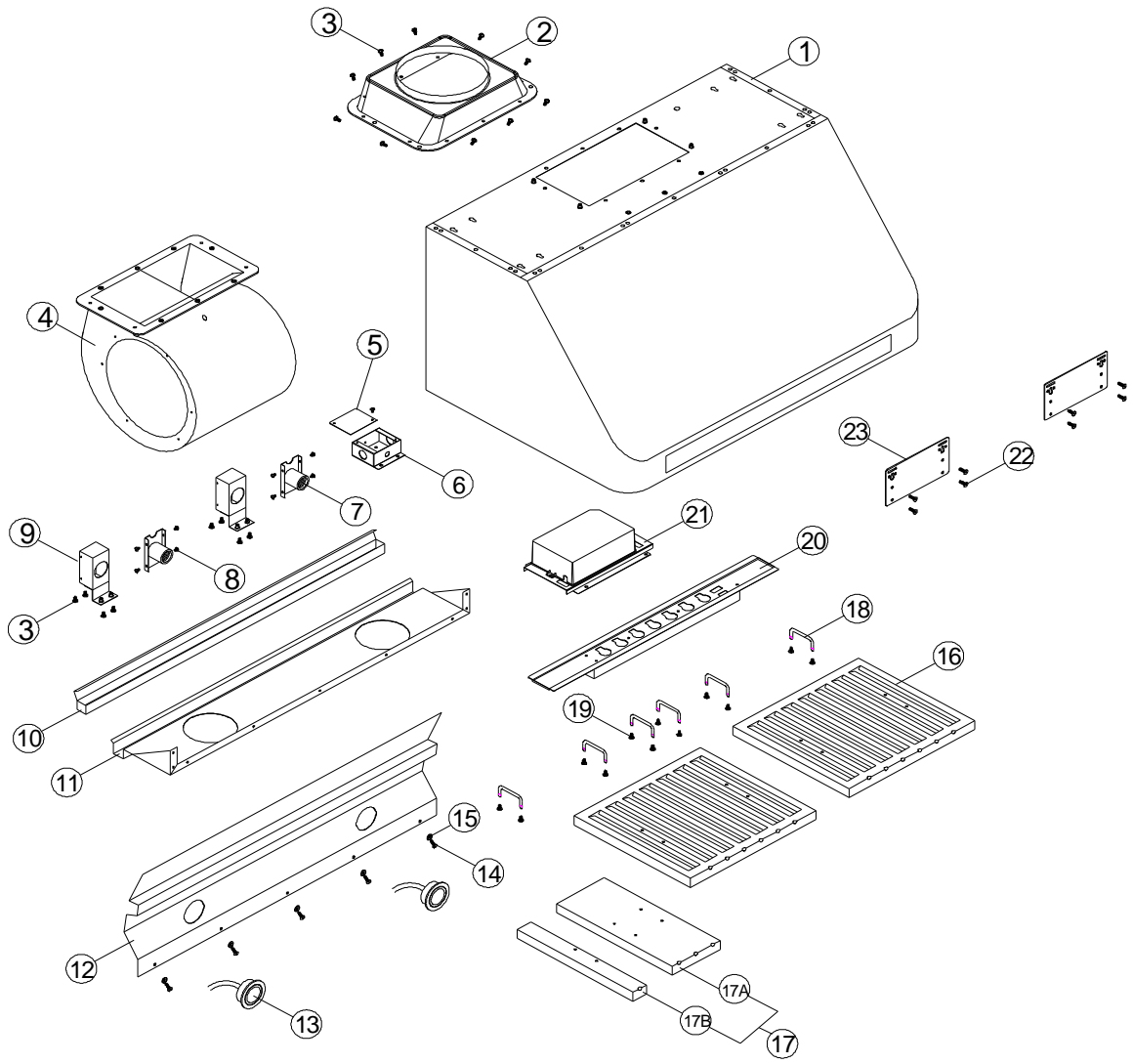


PARTS LIST

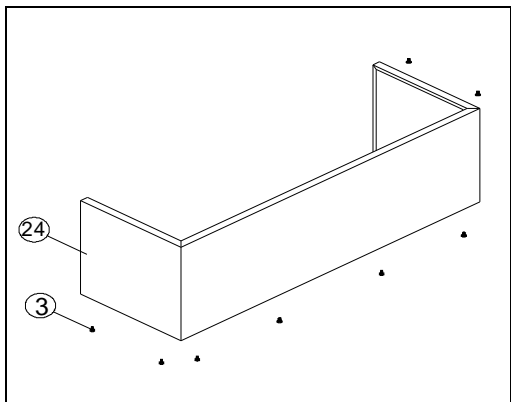
MODEL NO: CH0130SQB
CH0136SQB
CH0142SQB
CH0148SQB

BODY COMPONENTS

NO.	DESCRIPTION	MODEL/SIZE	PART NO.
1	Hood Casing		CH101-1
2	Ducting Transition		CH101-2
3	Screws (3/16" x 3/8")		CH101-3
4	Blower Assembly		CH101-4
5	Field Wiring Box Cover		CH101-5
6	Field Wiring Box		CH101-6
7	Heat Lamp Socket		CH101-7
8	Screws (3/16" x 3/8")		CH101-8
9	Heat Lamp Socket Box		CH101-9
10	Oil Tunnel		CH101-10
11	Heat Lamp Support		CH101-11
12	Halogen Light Support		CH101-12
13	Halogen Light		CH101-13
14	Screws (3/16" x 3/8")		CH101-14
15	Gasket		CH101-15
16	Baffle Filter		CH101-16
17	Stainless Steel Spacer		
A		CH0136SQB/CH0142SQB	CH101-17-1
B		CH0148SQB	CH101-17-2
18	Baffle Handle		CH101-18
19	Screws (3/16" x 3/8")		CH101-19
20	Switch Assembly		CH101-20
21	Electrical Assembly		CH101-21
22	Screws (3/16" x 3/8")		CH101-14
23	Hood-Mounting Bracket		CH101-23
Optional Duct Cover			
ORIGINAL KIT			
NO.	DESCRIPTION	MODEL/SIZE	PART NO.
24	Duct Cover	CH0030DC-12	B102-6012-030
		CH0036DC-12	B102-6012-036
		CH0042DC-12	B102-6012-042
		CH0048DC-12	B102-6012-048
3	Screws (3/16" x 3/8")		CH101-3

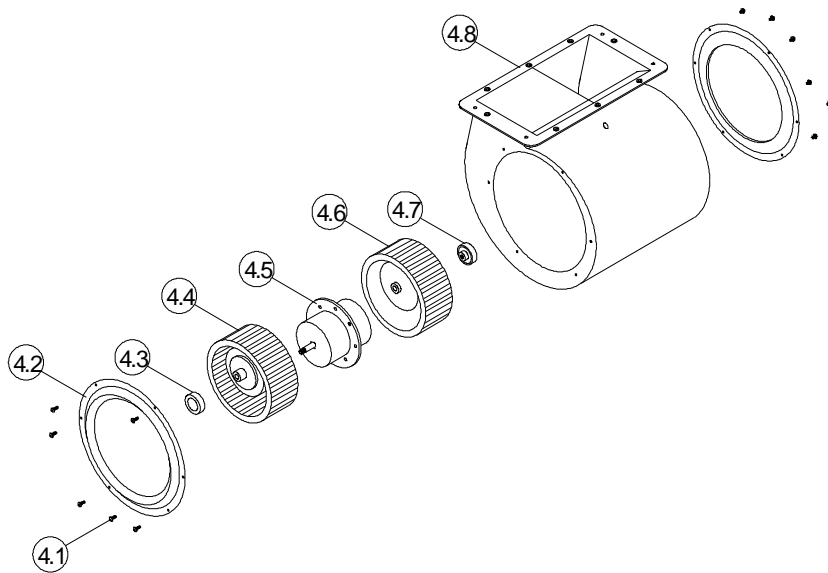


Optional Duct Cover (Sold Separately)



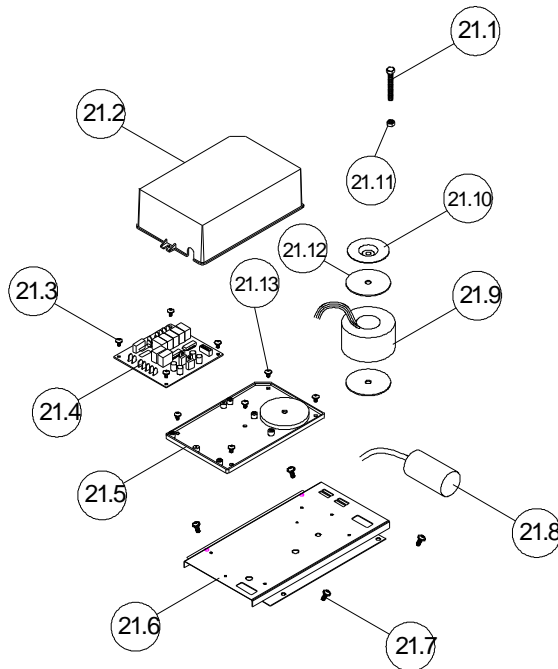
Blower Assembly

NO.	DESCRIPTION	MODEL / SIZE	PART NO.
4.1	Screws (3/16" x 3/8")		CH101-4.1
4.2	Air Flow Grill		CH101-4.2
4.3	Left Locknut		CH101-4.3
4.4	Left Squirrel Cage		CH101-4.4
4.5	Motor		CH101-4.5
4.6	Right Squirrel Cage		CH101-4.6
4.7	Right Locknut		CH101-4.7
4.8	Air Chamber		CH101-4.8



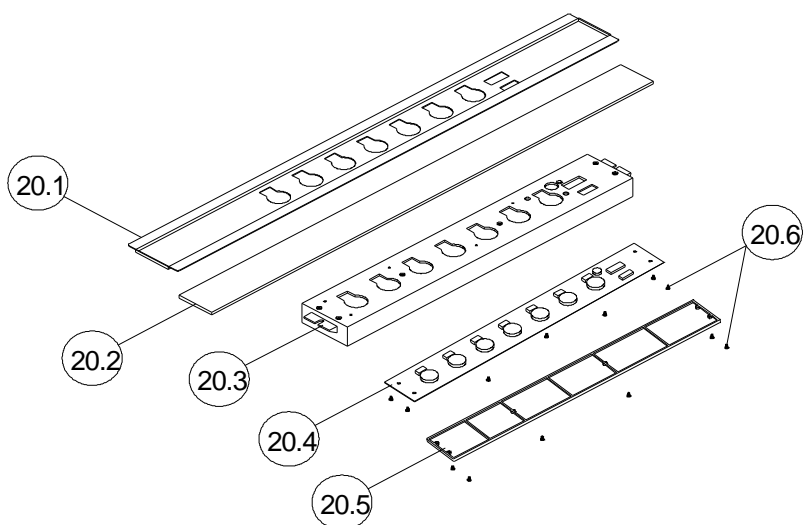
Electrical Assembly

NO.	DESCRIPTION	MODEL / SIZE	PART NO.
21.1	Bolt		CH101-21.1
21.2	Electrical Box		CH101-21.2
21.3	Screws (3/16" x 3/8")		CH101-21.3
21.4	Power Board		CH101-21.4
21.5	Electrical Box Cover		CH101-21.5
21.6	Setup Board		CH101-21.6
21.7	Screws (3/16" x 3/8")		CH101-21.7
21.8	Capacitor		CH101-21.8
21.9	Transformer		CH101-21.9
21.10	Bolt Gasket		CH101-21.10
21.11	Screw Cap		CH101-21.11
21.12	Rubber Gasket		CH101-21.12
21.13	Screws (3/16" x 3/8")		CH101-21.13



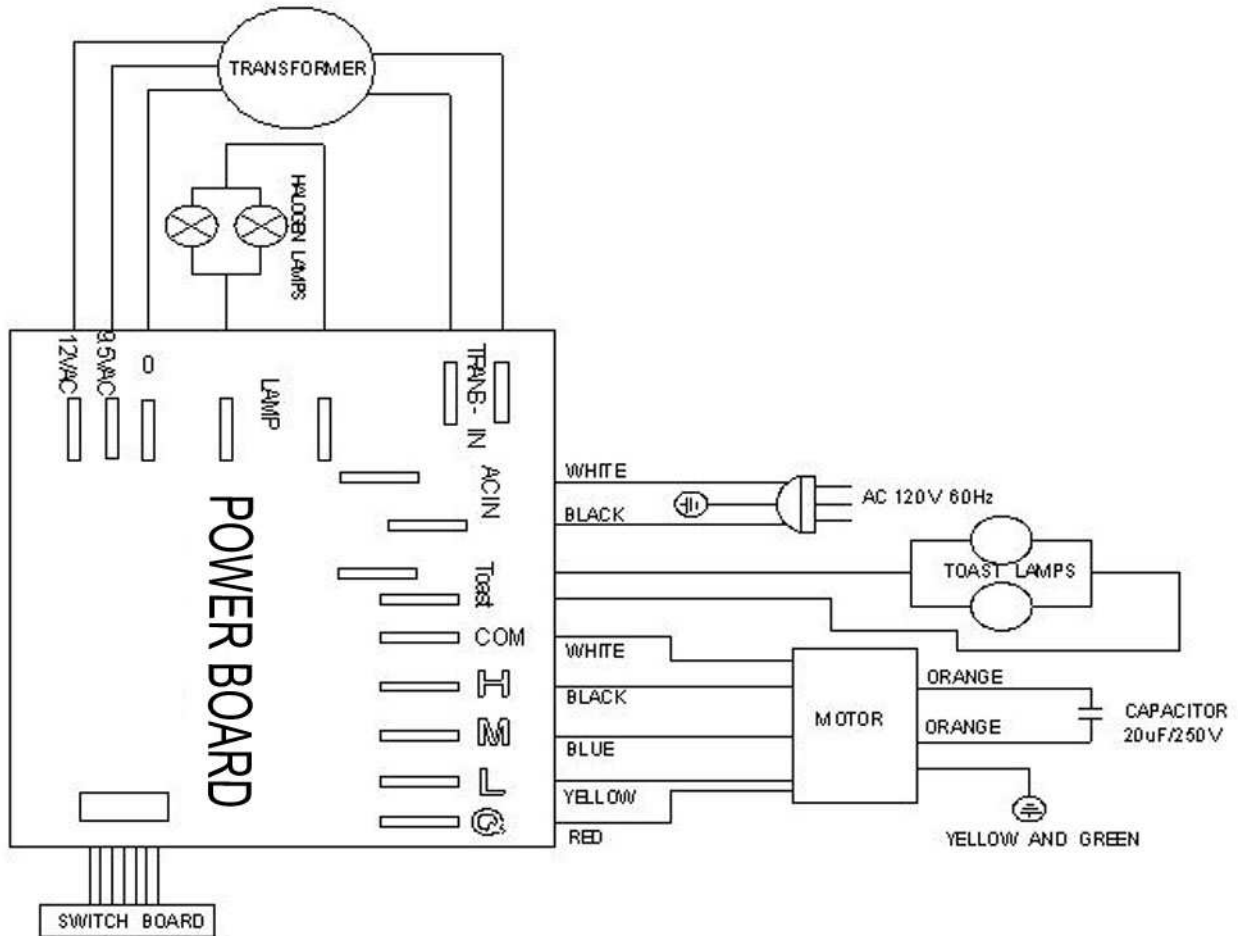
Switch Assembly

NO.	DESCRIPTION	MODEL / SIZE	PART NO.
20.1	Screen Support		CH101-20.1
20.2	Touch Screen		CH101-20.2
20.3	Switch Box		CH101-20.3
20.4	Switch Board		CH101-20.4
20.5	Switch Box Cover		CH101-20.5
20.6	Screws (1/8" x 1/2")		CH101-20.6

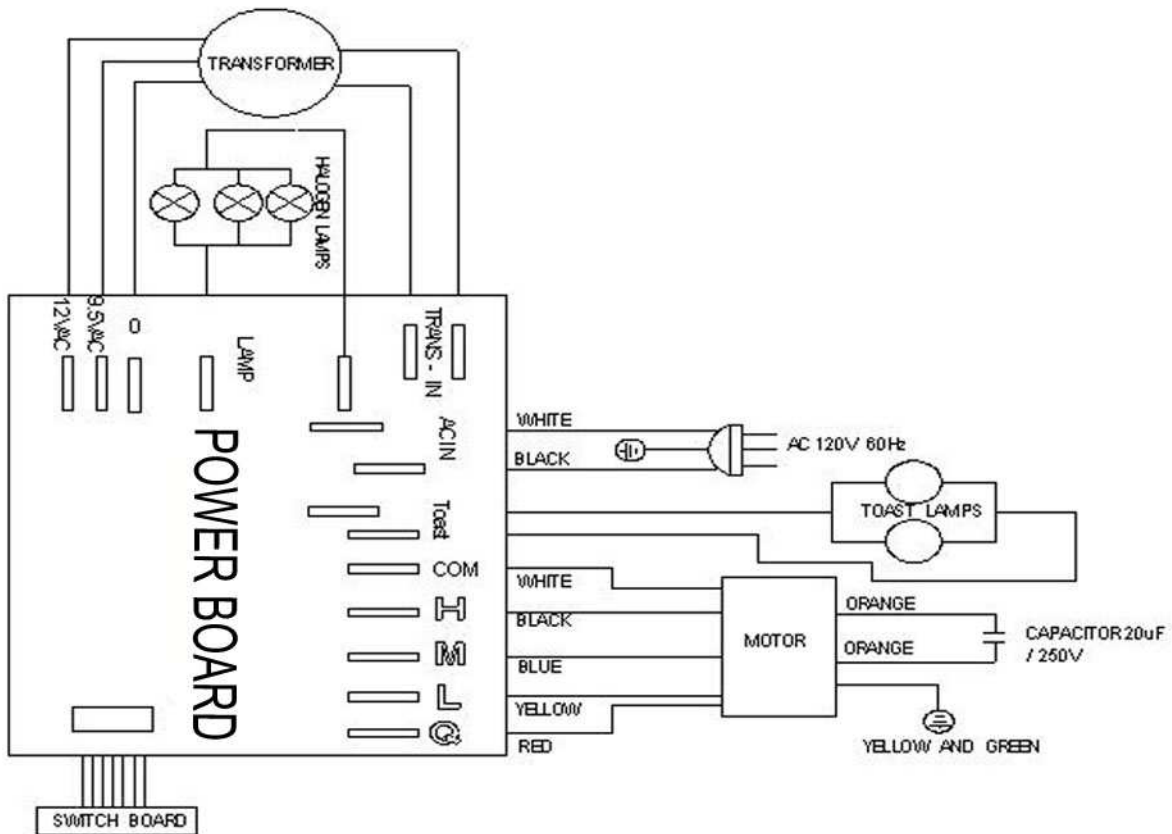


CIRCUIT DIAGRAM

MODEL NO.: CH0130SQB
CH0136SQB



MODEL NO.: CH0142SQB
CH0148SQB



DISCLAIMER

1. **CAREFULLY INSPECT ALL ITEMS FOR DAMAGES BEFORE ACCEPTING DELIVERY. NOTE ANY DAMAGES ON THE FREIGHT BILL OR EXPRESS RECEIPT. REQUEST NAME AND SIGNATURE OF THE CARRIER'S AGENT AND KEEP COPY TO SUPPORT YOUR CLAIM.**

Upon acceptance of items, owner assumes responsibility for its safe arrival. Damages should be reported to carrier and a claim filed. Failure to do this could result in the carrier refusing to honor your claim. The carrier will furnish you with necessary forms for filing a claim.

DAMAGES CAUSED DURING TRANSIT ARE NOT COVERED UNDER OUR WARRANTY.

2. **PLEASE INSPECT CONTENTS OF PACKAGE (S) CAREFULLY UPON RECEIVING!**

We must be notified in writing of any damages and/or missing parts within the allocated days upon receipt of package(s). Contact your local KOBE dealer or distributor or call KOBE for the time limit.

CLAIMS WILL NOT BE ACCEPTED AFTER THE ALLOCATED DAYS.

NOTE: ITEMS WERE THOROUGHLY TESTED AND CAREFULLY PACKED IN OUR FACTORY.

3. Products must be returned in good working condition with ALL original parts and documentation packed in ALL original cartons, fillers and shipping cartons. A restocking fee of 25% will be charged for all approved return(s).

EXCHANGES OR RETURNS MAY NOT BE ACCEPTED IF ANY PACKAGING IS MISSING.

4. **MAKE SURE TO INSPECT THE HOOD FOR DAMAGES AND DEFECTS BEFORE INSTALLATION.** Appearance flaws of the hood found after installation and not affecting hood performance is not covered under our warranty for returns or exchanges. Service visits not covered under warranty will carry a service charge.

A) Before Installation: Return for exchange or refund (please see above for acceptable returns).

B) After Installation: **NO** exchange or refund.

WARRANTY

WARRANTY CERTIFICATE

KOBE Range Hoods, Inc. warrants all products manufactured or supplied by it to be free from defects in workmanship and materials. Its obligations pursuant to this warranty are limited to a period of two years from the date of purchase and to the repair or replacement at its option and subject to the terms and conditions stated below, of any component part, which its examination shall disclose to be so defective.

TWO-YEAR WARRANTY SERVICE PERIOD

Any covered failure occurring within two years of original purchase arising from defective workmanship or material in manufacture will be repaired (or at our option the unit will be replaced) free of charge by an authorized KOBE Range Hoods Agent or KOBE Range Hoods as applicable. Keep proof of purchase (or original invoice) handy for inspection.

If the range hood is sold by the original purchaser during the warranty period the new owner is protected until expiration of the original purchaser's warranty.

CONDITIONS

The following conditions apply only in relation to the warranty expressly given in this certificate.

- 1) This warranty applies only:
 - a) within U.S.A. and Canada.
 - b) to range hoods used for PRIVATE SINGLE FAMILY USE (if used for COMMERCIAL or MULTIPLE FAMILY USE or other purposes, warranty will be voided).
- 2) Repair of any fault to be provided under this warranty shall not be provided:
 - a) if the identification number attached to the range hood has been altered, rendered illegible or removed;
 - b) if notice of the defect has not been given within the period applicable;
 - c) for failure of light bulbs;
 - d) for physical damage;
 - e) for surfaces damaged by use of improper chemical cleaning agents;
 - f) if the appliance has been:
 - i) subject to misuse, abuse, negligence, accident, incorrect installation or failure to follow the operating instructions;
 - ii) connected to improper, inadequate or faulty electricity service or exhaust ducts or flues or operated using incorrect or contaminated lubricants;
 - iii) installed, maintained or operated otherwise than in accordance with the instructions furnished by KOBE Range Hoods including the improper use of detergents, bleaches, or cleaners.
 - g) for damage to range hood during transit, delivery, installation or removal;

- h) for damage by or resulting from attempted repairs conducted by anyone other than our Authorized Service Agent.
- 3) The purchaser shall be responsible for any expenses involved in making the range hood readily accessible for servicing and where the range hood is installed outside the main sales territory of the retailer or service territory of the nearest approved KOBE Range Hoods Agent as applicable, for any traveling expenses and any costs of transporting the range hood or parts thereof to and from the dealer or Service Agent
- 4) The purchaser must produce proof of purchase together with this warranty certificate when making the claim.
- 5) Damages caused during shipment are not covered under our warranty.

CONSEQUENTIAL DAMAGE

The warrantor is not responsible for any consequential damage. SOME STATES DO NOT ALLOW THE EXCLUSION OF CONSEQUENTIAL DAMAGE SO THE ABOVE EXCLUSION MAY NOT APPLY TO YOU.

IMPLIED WARRANTIES/STATE LAW

Any implied warranties, including the implied warranty of merchantability and fitness for purpose, imposed on the sale by the laws of the state of sale are limited to two year from the date of original purchase. Some states do not allow limitations on the duration of implied warranties. This warranty gives you specific legal rights, and may also have rights, which vary from state to state.

SERVICE

For service contact:

KOBE Range Hoods
10505 Valley Blvd, Suite 302
El Monte, CA 91731
U.S.A
Tel: (626) 350-1355 Fax: (626) 350-1976
Email: customer.service@KOBERangeHoods.com
Website: www.KOBERangeHoods.com

PRODUCT REGISTRATION

Register Your Product!

Any covered failure occurring within two years of original purchase arising from defective workmanship or material in manufacture will be repaired or at our option the unit will be replaced free of charge by an authorized KOBE Range Hoods Agent or KOBE Range Hoods as applicable. Keep proof of purchase (original invoice) handy for inspection.

If the range hood is sold by the original purchaser during the warranty period the new owner is protected until expiration of the original purchaser's warranty. See warranty section for complete warranty coverage information.

This appliance has been manufactured, tested, and inspected to the standards required by KOBE Range Hoods.

PLEASE MAIL IN YOUR WARRANTY REGISTRATION CARD AND PROOF OF PURCHASE TO:

KOBE Range Hoods
10505 Valley Blvd, Suite 302
El Monte, CA 91731

RECORD THE FOLLOWING INFORMATION FOR YOUR RECORD:

Model No. _____

Serial No. _____

Purchased Date ____/____/____

Purchased From:

IMPORTANT: PLEASE KEEP A COPY OF YOUR SALE RECEIPT OR INVOICE HANDY WHEN REQUESTING SERVICE.

KOBE[®]

KOBE Range Hoods
10505 Valley Blvd Suite # 302
El Monte, CA 91731 USA

<http://www.KOBERangeHoods.com>

This KOBE hood is made for use in the USA and CANADA only. We do not recommend using this hood overseas as the power supply may not be compatible and may violate the electrical code of that country. **Using a KOBE hood overseas is at your own risk and will void your warranty.**

V.060726

Free Manuals Download Website

<http://myh66.com>

<http://usermanuals.us>

<http://www.somanuals.com>

<http://www.4manuals.cc>

<http://www.manual-lib.com>

<http://www.404manual.com>

<http://www.luxmanual.com>

<http://aubethermostatmanual.com>

Golf course search by state

<http://golfingnear.com>

Email search by domain

<http://emailbydomain.com>

Auto manuals search

<http://auto.somanuals.com>

TV manuals search

<http://tv.somanuals.com>