

KOBE® KOBE Brand Range Hood

CH-177 Models

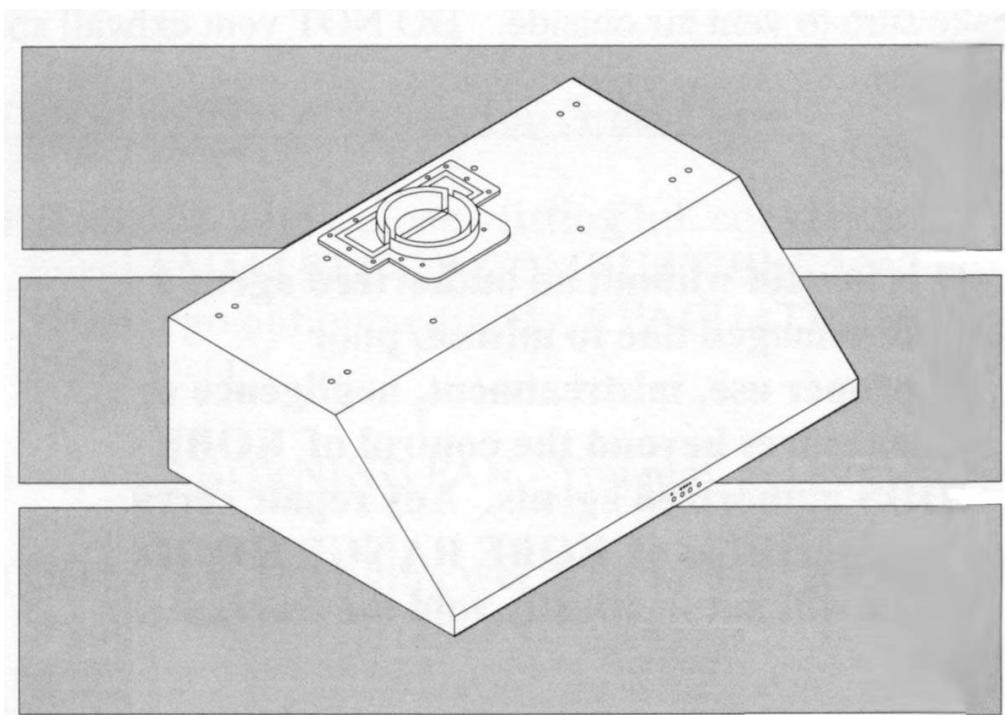
CH7730SQ

CH7736SQ

CH7742SQ

CH7748SQ

Professional Style Range Hood



INSTALLATION INSTRUCTIONS

AND OPERATION MANUAL

- READ AND SAVE THESE INSTRUCTIONS -

- READ ALL INSTRUCTIONS CAREFULLY BEFORE STARTING -

ALL WIRING MUST BE DONE BY A PROFESSIONAL AND IN ACCORDANCE WITH NATIONAL AND LOCAL ELECTRICAL CODES.

- PLEASE READ THIS SECTION CAREFULLY BEFORE INSTALLATION -

WARNING – TO REDUCE THE RISK OF FIRE, ELECTRIC SHOCK OR PERSONAL INJURY, OBSERVE THE FOLLOWING:

- 1) Installation work and electrical wiring must be done by qualified professionals and in accordance with all applicable codes and standards, including fire-rated construction.
- 2) When cutting or drilling into wall or ceiling, be careful not to damage electrical wiring or other hidden utilities.
- 3) Ducted fans must always be vented to the outside.
 - a) Before servicing or cleaning unit, open the light panel and SWITCH POWER OFF AT SERVICE PANEL.
 - b) Clean fan, optional filter and grease laden surfaces frequently. To reduce the risk of fire and to disperse air properly, make sure to vent air outside. DO NOT vent exhaust air into wall spaces, attics, crawl spaces or garages.

NOTE - This warranty is invalid without an authorized agent's receipt or unit is damaged due to misuse, poor installation, improper use, mistreatment, negligence or any other circumstances beyond the control of KOBE RANGE HOODS authorized agents. Any repair carried out without the supervision of KOBE RANGE HOODS authorized agents will automatically void the warranty.

- KOBE RANGE HOODS will not hold responsible for any damages to personal property or real estate or any bodily injuries, whether caused directly or indirectly by the range hood.

CAUTION – FOR GENERAL VENTILATION USE ONLY. DO NOT USE TO EXHAUST HAZARDOUS OR EXPLOSIVE MATERIALS AND VAPORS. TO REDUCE THE RISK OF FIRE, USE ONLY METAL DUCTWORK. SUFFICIENT AIR IS NEEDED FOR PROPER COMBUSTION AND EXHAUSTING OF GASES THROUGH THE FLUE (CHIMNEY) OF FUEL BURNING EQUIPMENT TO PREVENT BACK DRAFTING. FOLLOW THE BEATING EQUIPMENT MANUFACTURER'S GUIDELINE AND SAFETY STANDARDS SUCH AS THOSE PUBLISHED BY THE NATIONAL FIRE PROTECTION ASSOCIATION (NFPA), AND THE AMERICAN SOCIETY FOR HEATING, REFRIGERATION AND AIR CONDITIONING ENGINEERS (ASHRAE), AND CODE AUTHORITIES.

- IMPORTANT SAFETY INSTRUCTIONS -

WARNING – TO REDUCE THE RISK OF PERSONAL INJURY IN THE EVENT OF A RANGE TOP GREASE FIRE:

- Keep fan, optional filter and grease-laden surfaces clean.
- Always turn hood ON when cooking at high heat.
- Use high settings on cooking range ONLY when necessary. Heat the oil slowly on low to medium setting.
- Do not leave cooking range unattended when cooking.
- Always use cookware and utensils appropriate for the type and amount of food preparing.
- Use this unit only in the manner intended by the manufacturer.
- Before servicing, switch power off at service panel and lock service panel (if possible) to prevent power from switched on.

What to Do In The Event Of A Range Top Grease Fire

- 1) SMOTHER FLAMES with a close-fitting lid, cookie sheet, or metal tray, then turn off the burner. KEEP FLAMMABLE OR COMBUSTIBLE MATERIAL AWAY FROM FLAMES. If the flames do not go out immediately, EVACUATE THE AREA AND CALL THE FIRE DEPARTMENT or 911.
- 2) NEVER PICK UP A BURNING PAN – You may get burned.
- 3) DO NOT USE WATER, including wet dishcloths or towels – a violent steam blast will result.
- 4) Use an extinguisher ONLY if:
 - a) You know you have a Class ABC extinguisher and you already know how to operate it.
 - b) The fire is small and contained in the area where it started.
 - c) The fire departments have called.
 - d) You can fight the fire with your back to an exit.

What to Do If You Smell Gas

- Extinguish any open flame.
- Do not try to turn on the lights or any type of appliance.
- Open all doors and windows to air out any amount of gas. Call the Gas Company and Fire Department right away.

CAUTION Turning on any switch may cause ignition or an explosion.

- CONTENTS OF RANGE HOOD PACKAGE -
(Must keep all materials for returns or refunds)

- 1) KOBE Range Hood
- 2) Two Impeller Safety Screen
- 3) Two Round and Two Oval Oil Containers
- 4) Halogen Lights 12V20W
- 5) One Plastic Multi Duct Exhaust Base (6" Round, 7" Round or 3¼" x 10" Options)
- 6) Installation/Owner's Manual & Warranty Card
- 7) Packaging Materials May Include:
 - a) Plastic Bag To Cover Hood
 - b) Styrofoam
 - c) Outer carton

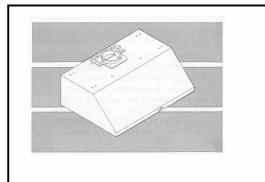
Unpack hood and check contents before installing.



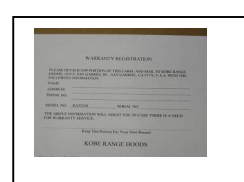
Oil Cups



**Plastic Exhaust
Duct**



Owners Manual



Warranty Card

- PREPARING THE INSTALLATION LOCATION -

—SAFETY WARNING—

INTERIOR OF HOOD MAY HAVE VERY SHARP EDGES, PLEASE WEAR PROTECTIVE GLOVES IF YOU HAVE TO OPEN THE HOOD FOR CLEANING OR SERVICING.

NOTE: TO AVOID DAMAGE TO YOUR HOOD, PREVENT DEBRIS FROM ENTERING THE VENT OPENING.

Make sure the surface of the wall is clean and free of debris.

Providing Electrical Power Line Access (SHOULD BE DONE BY A LICENSED PROFESSIONAL)

1. If there is no electrical power line access opening, you will need to make an opening first before you can proceed further. To make an electrical power access opening, mark an outline for the opening on the cabinet bottom. Use a 1¼" wood bit to form the access opening. {Fig. 1} CAUTION: Be careful when operating the electric drill.



(Electrical power access)

{Fig. 1}

—SAFETY WARNING—

IF DRILLING INTO THE WALLS, BE CAREFUL NOT TO CUT EXISTING ELECTRICAL CABLES, WHICH WOULD CREATE A HAZARD. ALL ELECTRICAL CONNECTIONS MUST BE IN ACCORDANCE WITH LOCAL CODES, ORDINANCES, OR NATIONAL ELECTRICAL CODE. IF YOU ARE UNFAMILIAR WITH METHODS OF INSTALLING ELECTRICAL WIRING, SECURE THE SERVICES OF A QUALIFIED ELECTRICIAN.

CAUTION: TO REDUCE THE RISK OF FIRE AND ELECTRIC SHOCK, DO NOT USE WITH ANY SOLID-STATE SPEED CONTROL DEVICE.

- INSTALLING THE RANGE HOOD -
(Keep all packing materials for return or exchange)

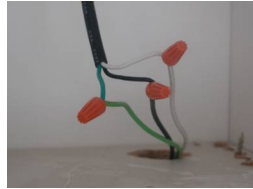
Temporarily wire the hood to test for proper operation before installing.

Before installing, please peel protective film off the hood first, if any.

NOTE: The recommended distance from range hood bottom to top of the cooking surface is between 28" ~ 30".



{Fig. 1a}



{Fig. 1b}

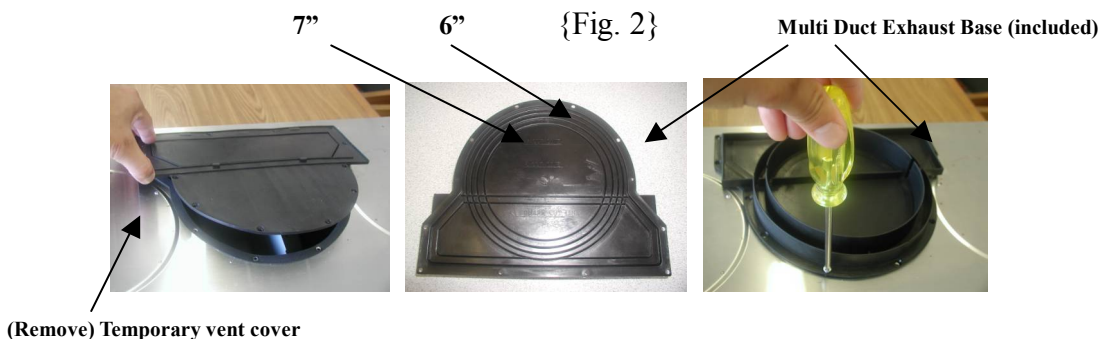


{Fig. 1c}

WARNING: As the hood is heavy, we strongly recommend using all 8 mounting holes to install the hood. Installation may require more than 1 person.

For Mounting on a Cabinet with a Flush Bottom

- 1) If you need to move the cooking range to work on the cabinet, turn off the power for an electric range at the main electrical box. **SHUT OFF THE GAS BEFORE MOVING A GAS RANGE.**
- 2) To make an electrical line access opening, please refer to section Electrical Power Line Access.
- 3) Use 1" wood screws for mounting the hood. Puncture the eight indented mounting holes. Measure & create access opening for electrical wires under the cabinet.
- 4)
 - a) For top venting: Cut rectangle opening required for 6", 7" or 3/4" X 10" duct. Remove temporary plastic vent cover on the top of the hood. Replace with the plastic multi duct exhaust vent piece that came with the hood. Cut along the indented outline for the size of the duct opening that you need. {Fig. 2} Fasten plastic multi duct exhaust vent piece with the raised surface facing outward back onto the top of the hood. (See Fig 2)



- b) For rear venting: Unscrew the rectangular plastic vent portion at the back of the hood. {Fig.4} Turn the vent piece over so that the flat surface is facing you. Cut along the indented outline until there is a 3¼" X 10" opening. Fasten plastic vent piece with the raised surface facing outward back onto the hood.



{Fig.4}
(Rear Venting)



{Fig.5}

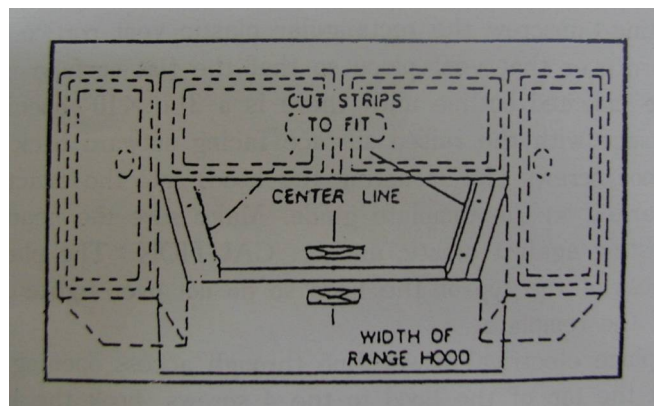


{Fig.6}

- 5) Remove bottom panel & carefully place aside.
- 6) Take the hood, place electrical power line through access opening {Fig. 1b}, and use eight 1" wood screws for mounting the hood. {Fig.1e}. CAUTION: MAKE SURE THE HOOD IS SECURE BEFORE RELEASING.
- 7) Replace bottom casing.
- 8) Slide each oval oil container into the oil container slots at the back of the safety screen. {Fig.5}
- 9) Finally, place a round oil container with the three prongs into the larger holes in the specially made openings in the center of the screen & turn clockwise until it snaps into place. Do the same for the other round oil container. {Fig.6}

For Mounting on a Cabinet with a Recessed Bottom

- 1) If you need to move the cooking range to work on the cabinet, turn off the power for an electric range at the main electrical box. **SHUT OFF THE GAS BEFORE MOVING A GAS RANGE.**
- 2) Measure the space (under the cabinet) between the inside front edge and inside back edge {Fig. 3}. With a saber saw, cut wood filler strips (not included) to fill in the bottom of the cabinet. Use 2-1/4" long wood screws (not included) to attach wood strips to the cabinet. Make sure you have wood filler strips for all eight mounting holes. For metal cabinet, use 3/8" x 2-1/2" bolts and nuts to secure the strips to the cabinet. The hood will mount on these filler strips. (For a more secure installation, you can also use screws from inside the cabinet down into the wood filler strips.) Make sure the filler strips do not cover the electrical power line access opening.



{Fig. 3}

- 3) Follow installation instructions from the section For Mounting on a Cabinet with a Flush Bottom.

Making The Electrical Connection (SHOULD BE DONE BY A LICENSED PROFESSIONAL)

——SAFETY WARNING——

INTERIOR OF HOOD MAY HAVE VERY SHARP EDGES, PLEASE WEAR PROTECTIVE GLOVES IF YOU HAVE TO OPEN THE HOOD FOR CLEANING OR SERVICING.

CAUTION: MAKE SURE ELECTRICAL POWER IS TURNED OFF BEFORE STARTING THIS SECTION.

- 1) After turning off the electrical power at the main power source, push the electrical power line through the access opening drilled earlier in the wall or bottom of the cabinet. There are three different color wire strands to be connected. Strip solid wire 5/16" and strip stranded wire 3/8".
- 2) Connect the power line wire to the grounding green lead supplied with the hood.
- 3) Make the electrical connections by fastening the black power wire to the black wire and the white power wire to the white wire located in the electrical wiring compartment. Align any frayed strands or conductors. Screw on conductors; push wires firmly into connectors when starting. Stop when the bottom of the connector reaches conductor. Follow all codes.
- 4) Plug into electrical outlet. Turn on power and check operation of fans and light.



Congratulations, your KOBE range hood is ready to use!

- OPERATING INSTRUCTIONS -

This KOBE hood is equipped with a 10-second time delay operation, four control buttons located on the front of the hood, powerful centrifugal turbine impellers with safety screen covers, bright 12 volt 20 watts halogen lights, and 4 oil containers.

The four control buttons (from left to right) are the Light Control, the Speed Control (cycles through Low, Medium, High, QuietMode™), alternate Speed Control (cycles through Low, QuietMode™, High, Medium) and the Power Control buttons.

Turn On:

1. Press Power Control button. (If another control button is not pressed within 10 seconds, power will turn off automatically.)
2. Press either Speed Control button once (will start on Low speed) for fan control. See Fig. 4.
3. Press Speed Control button to cycle from QuietMode™ through high speed. See Fig. 4.
4. Press Light Control button to turn light on.

Turn Off:

1. Press Power Control button once (panel lights will flash for 10 seconds before power will completely shut off).
2. Press Power Control button twice (all power will shut off immediately).
3. If only lights are on, pressing Power Control button once will turn power off immediately.

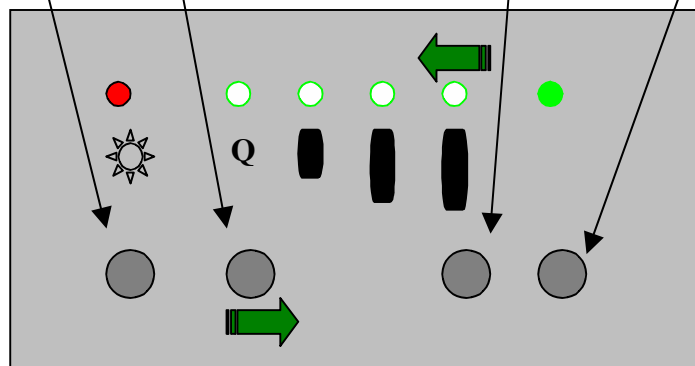
The QuietMode™ feature offers continuous ventilation at a greatly reduced noise level.

Light Control

Speed Control
(Cycles through Low, Medium, High, QuietMode™)

Speed Control
(Cycles through Low, QuietMode™, High, Medium)

Power Control



{Fig. 4}

- MAINTENANCE OF THE HOOD -

—SAFETY WARNING—

INTERIOR OF HOOD MAY HAVE VERY SHARP EDGES, PLEASE WEAR PROTECTIVE GLOVES IF YOU HAVE TO OPEN THE HOOD FOR CLEANING OR SERVICING.

Cleaning

To clean the hood surface, use only mild soap or detergent solutions. Dry up surfaces using soft cloth. CAUTION: Never use abrasive cleaners, pads, or cloths.

If the hood looks splotchy (stainless steel hood), use an orange base cleaner to clean the surface of the hood (make sure the cleaner does not get on any control switches). Spread a light coating over the surface of the hood and leave on for a few minutes (do not leave on too long or there might be damage to the hood finish). Use a soft towel to wipe off the cleaning solution, gently rubbing any stubborn spots. Use a slightly damp towel to get rid of any cleaning solution. Use a dry soft towel to dry the hood.

To bring the glow back into a stainless steel finish, use a stainless steel cleaner.

To clean hood fans, turn on high speed and spray a mild degreaser into the fans. Liquid residue will accumulate in the oil containers located at the back of the safety screen. These slide easily in and out for cleaning. The round transparent holders attached to the fan cover can be unscrewed (turn counterclockwise) for cleaning. (To replace, just screw back in turning clockwise until it clicks into place.) To clean the fan safety screen, remove the screw (leave in a safe place), and slide safety screen out. Both oil containers and fan safety screen should be washed with warm soapy water and completely dry before returning in place. (Both are top rack dishwasher safe.)

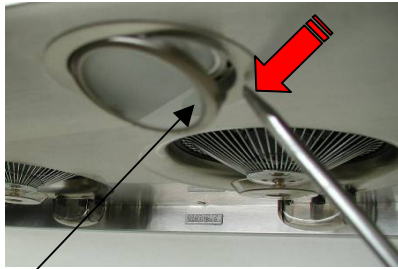
CAUTION: Never put your hand into the area housing the fan while the fan is operating.

For the most efficient operation of your range hood, clean the range hood surface, fans and optional filters regularly.

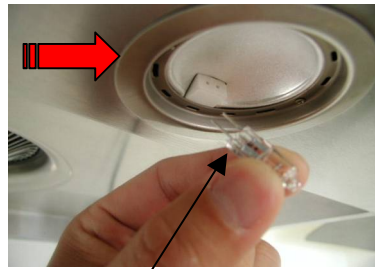
CAUTION: Drain oil holders before oil can overflow.

Changing the Light Bulb

- 1) Make sure all control switches are off and range hood is unplugged. CAUTION: Wait until light is cool to the touch before changing.
- 2) Use a flat head screwdriver to pop out the protective covering.
- 3) Gently pull out the defective halogen light and discard. Plug in new halogen light (12V 20W max.).
- 4) Replace protective cover.
- 5) Plug in range hood.



Keyhole



12V20W

Troubleshooting Guide

Problem

Light does not turn on.

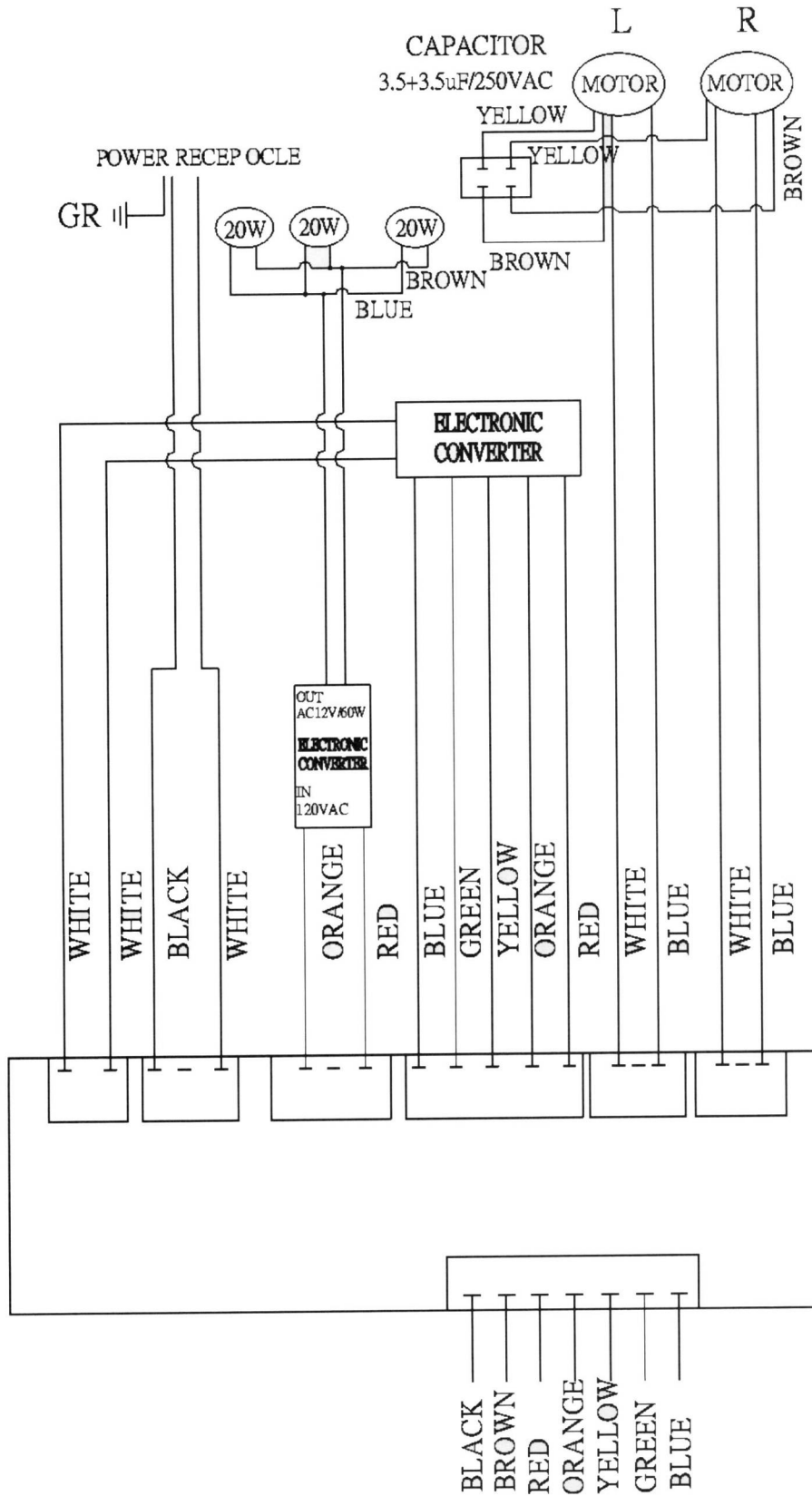
Fan is not turning.

Solution

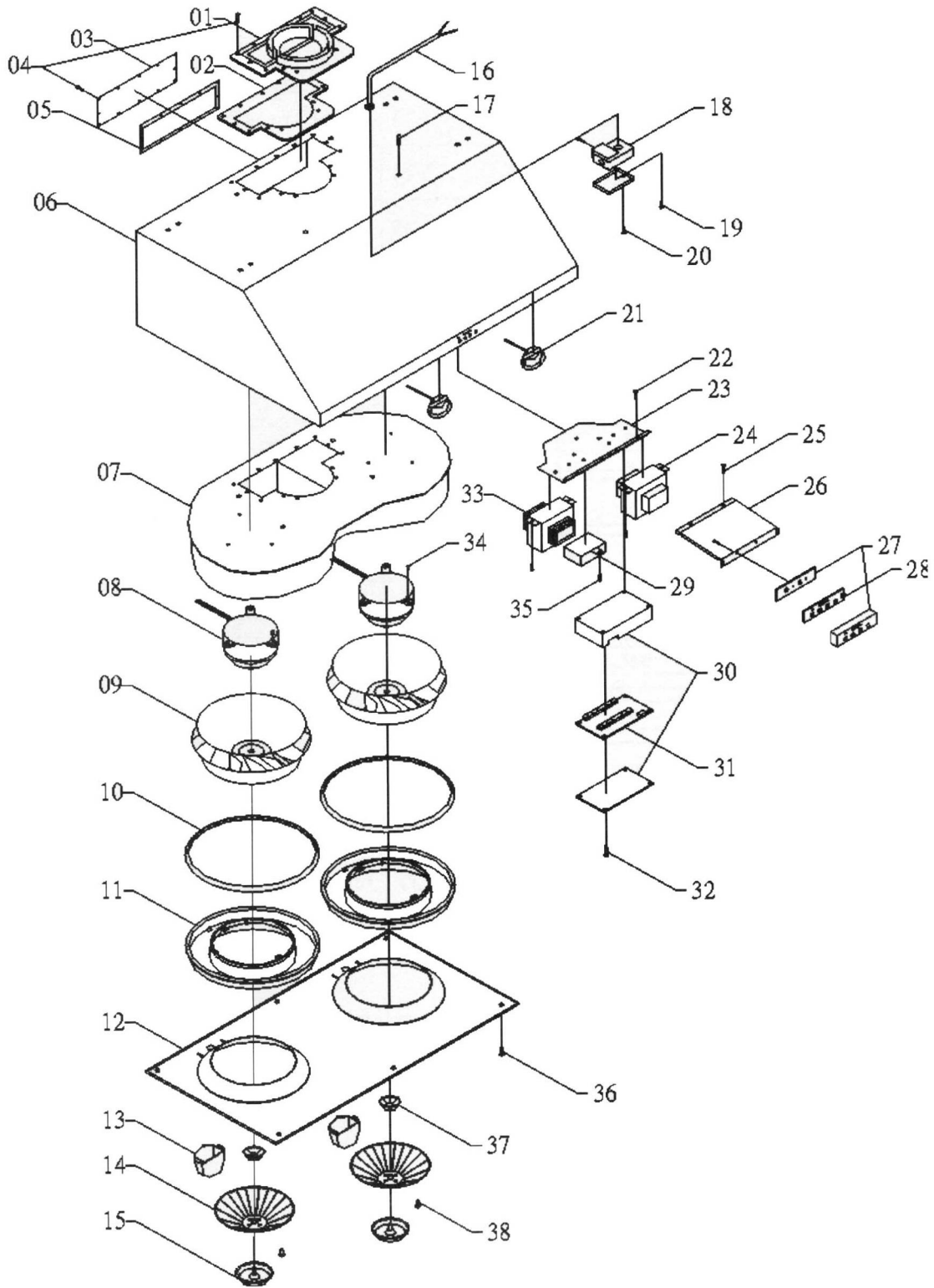
- Check power is plugged in.
- Check light bulb.
- Check power is plugged in.
- Check electrical wires if connected correctly.
- Check for loose wires.
- Check switch

- CIRCUIT DIAGRAM -

CH-177 Models



- PARTS -



- PARTS LIST -

1	Plastic Multi Duct Exhaust Attachment	22	Light Transformer Support Screw
2	Plastic Vent Cover	23	Light Transformer Support
3	Plastic Rear Vent Cover	24	Transformer
4	Plastic Vent Cover Screw	25	Control Support Screw
5	Rear Plastic Vent Cover Frame	26	Control Support
6	Hood Casing	27	Control Panel
7	Motor Chamber	28	Control Board
8	Motor	29	Capacitor
9	Turbine Impeller	30	Processor Board Box
10	Oil Tunnel Ring	31	Processor Board
11	Oil Tunnel	32	Round Head Screw (TS 3" x 15")
12	Bottom Casing	33	Light Transformer
13	Rear Oil Container	34	Motor Position Screw
14	Impeller Safety Screen	35	Round Head Screw (TS 4" x 12")
15	Oil Container for Safety Screen	36	Bottom Casing Screw (3/16" x 3/4")
16	Power Cord	37	Impeller Plastic Cover
17	Flat Head Screw (3/16" x 3/4")	38	Impeller Safety Screen Screw (3/16" x 3/4")
18	Power Cord Frame		
19	Round Head Screw (3/16" x 3/8")		
20	Round Head Screw (TS 4" x 12")		
21	Halogen Light		

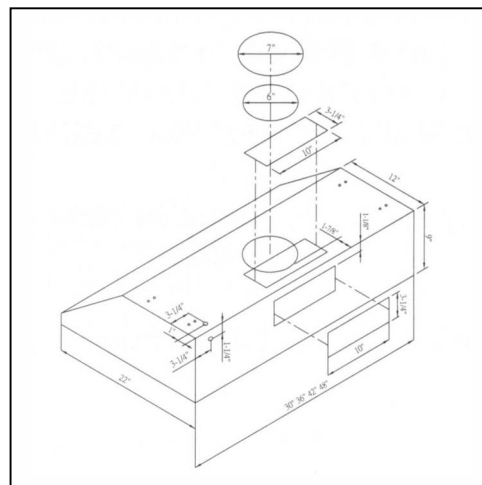
- SPECIFICATION -

STYLE	CH-177 MODELS			
Size	30"	36"	42"	48"
Dimension (WxDxH)	30" x 22" x 9"	36" x 22" x 9"	42" x 22" x 9"	48" x 22" x 9"
Net Weight (lbs)	48.5	50.6	52.8	55
Features:				
Stainless Steel #304	●	●	●	●
Fan Type	Turbine Impeller	Turbine Impeller	Turbine Impeller	Turbine Impeller
Control Button	6	6	6	6
Halogen Light (12 Volts)	20W x 2	20W x 2	20W x 3	20W x 3
Duct Free*	●	●	●	●
Safety Screen	2	2	2	2
Oil Container	4	4	4	4
Accessories:				
(Additional Purchase)				
Back panel	●	●	●	●
6" Round Charcoal Filter	●	●	●	●
Multi Duct Exhaust:				
6" Round (Top)	●	●	●	●
7" Round (Top)	●	●	●	●
3 1/4" x 10" (Top)	●	●	●	●
3 1/4" x 10" (Rear)	●	●	●	●

*When used with optional 6" round charcoal filter.

CH-177 Models				
Performance	QuietMode™	Low	Medium	High
CFM ¹	500	640	720	800
Sone ²	1	2.8	4.5	4.8
R.P.M.	850	1,100	1,350	1,600
Power Consumption	127W	154W	168W	205W
Ampere	1.2	1.5	1.6	2

¹SP:Ø ²1 Sone is equivalent to sound of a refrigerator at 40 decibels.



DISCLAIMER

- 1) **CAREFULLY INSPECT ALL ITEMS FOR DAMAGES BEFORE ACCEPTING DELIVERY. NOTE ANY DAMAGES ON THE FREIGHT BILL OR EXPRESS RECEIPT, REQUEST SIGNATURE OF THE CARRIER'S AGENT AND KEEP COPY TO SUPPORT YOUR CLAIM.** Upon acceptance by the carrier, he/she assumes responsibility for its safe arrival. Damages should be reported to carrier and a claim filed. Failure to do this could result in the carrier refusing to honor your claim. The carrier will furnish you with necessary forms for filing a claim.

DAMAGES CAUSED DURING TRANSIT WILL NOT COVERED UNDER OUR WARRANTY.

- 2) **PLEASE INSPECT CONTENTS OF PACKAGE(S) CAREFULLY UPON RECEIVING!** We must be notified in writing of any damages and/or missing parts within the allocated days upon receipt of package(s). Contact your local KOBE dealer or distributor or call KOBE for the time limit.

CLAIMS WILL NOT BE ACCEPTED AFTER THE ALLOCATED DAYS.

NOTE: This item was thoroughly tested and carefully packed in our factory.

- 3) Products must be returned in good working condition with ALL original parts & documentation packed in ALL original cartons, fillers & shipping cartons. A restocking fee of 25% (may be different at time of return) will be charged for all returned items with any missing parts or documentation.

EXCHANGES OR RETURNS MAY NOT BE ACCEPTED IF ANY PACKAGING IS MISSING.

- 4) **BE SURE TO INSPECT THE HOOD FOR DAMAGES AND DEFECTS BEFORE INSTALLATION.** Appearance flaws of the hood found after installation and not affecting hood performance is not covered under our warranty for returns or exchanges. Service visits not covered under warranty will carry a service charge.

YOUR CLAIM FOR CONCEALED DAMAGE MUST BE REPORTED WITHIN FIFTEEN (15) DAYS OF DELIVERY. YOU MUST BE ABLE TO PROVE UNIT WAS DAMAGED WHEN YOU RECEIVED IT.

A) Before Installation: Return for exchange or refund (please see above for acceptable returns).

B) After Installation: **NO** exchange or refund.

WARRANTY CERTIFICATE

KOBE Range Hoods warrants all products manufactured or supplied by it to be free from defects in workmanship and materials. Its obligations pursuant to this warranty are limited to a period of two years from the date of purchase and to the repair or replacement at its option and subject to the terms and conditions stated below, of any component part, which its examination shall disclose to be so defective.

TWO-YEAR WARRANTY SERVICE PERIOD

Any covered failure occurring within two years of original purchase arising from defective workmanship or material in manufacture will be repaired (or at our option the unit will be replaced) free of charge by an authorized KOBE Range Hoods Agent or KOBE Range Hoods as applicable. Keep proof of purchase or original invoice handy for inspection.

If the original purchaser sells, the range hood during the warranty period the new owner is protected until expiration of the original purchaser's warranty.

CONDITIONS

The following conditions apply only in relation to the warranty expressly given in this certificate.

- 1) This warranty applies only:-
 - a) Within U.S.A. and Canada
 - b) To range hoods used for PRIVATE SINGLE FAMILY USE (if used for COMMERCIAL or MULTIPLE FAMILY USE or other purposes, warranty is void).
- 2) Repair of any fault to be provided under this warranty shall not be provided:-
 - a) If the identification number attached to the range hood has been altered, rendered illegible or removed;
 - b) If notice of the defect has not been given within the period applicable;
 - c) For failure of light bulbs;
 - d) For physical damage;
 - e) For surfaces damaged by use of improper chemical cleaning agents;
 - f) If the range hood has been:-
 - i) subject to misuse, abuse, negligence, accident, incorrect installation or failure to follow the operating instructions;
 - ii) connected to improper, inadequate or faulty electricity service or exhaust ducts or flues or operated using incorrect or contaminated lubricants;
 - iii) installed, maintained or operated otherwise than in accordance with the instructions furnished by KOBE Range Hoods including the improper use of detergents, bleaches, cleaners or other additives;
 - g) For damage to the range hood during transit, delivery, installation or removal;
 - h) Damaged by or resulting from attempted repairs conducted by anyone other than our Authorized Service Agent.
- 3) The purchaser shall be responsible for any expenses involved in making the range hood readily accessible for servicing and where the range hood is installed outside the main sales territory of the retailer or service territory of the nearest approved KOBE Range Hoods Agent, as applicable, for any traveling expenses and any costs of transporting the range hood or parts thereof to and from the dealer or Service Agent
- 4) The purchaser must produce proof of purchase together with this warranty certificate when making the claim.

CONSEQUENTIAL DAMAGE

The warrantor is not responsible for any consequential damage. SOME STATES DO NOT ALLOW THE EXCLUSION OF CONSEQUENTIAL DAMAGE SO THE ABOVE EXCLUSION MAY NOT APPLY TO YOU.

IMPLIED WARRANTIES/STATE LAW

Any implied warranties, including the implied warranty of merchantability and fitness for purpose, imposed on the sale by the laws of the state of sale are limited to two years from the date of original purchase. Some states do not allow limitations on the duration of implied warranties. This warranty gives you specific legal rights, and may have rights that vary from state to state.

SERVICE

For service contact:

Should you require technical assistance, please call your dealer or KOBE Range Hoods.

KOBE Range Hoods

1039 South San Gabriel Blvd.,

San Gabriel, CA 91776

Tel: 1-626-309-1356 Monday thru Friday, 9 a.m. to 5 p.m. Pacific Standard Time (Excluding holidays & company off days)

Email: info@koberangehoods.com

www.koberangehoods.com

Free Manuals Download Website

<http://myh66.com>

<http://usermanuals.us>

<http://www.somanuals.com>

<http://www.4manuals.cc>

<http://www.manual-lib.com>

<http://www.404manual.com>

<http://www.luxmanual.com>

<http://aubethermostatmanual.com>

Golf course search by state

<http://golfingnear.com>

Email search by domain

<http://emailbydomain.com>

Auto manuals search

<http://auto.somanuals.com>

TV manuals search

<http://tv.somanuals.com>