

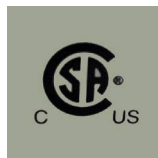
KOBE® **KOBE Brand Range Hood**

CH-180 Model

CH8036SQ



INSTALLATION INSTRUCTIONS AND OPERATION MANUAL



- READ AND SAVE THESE INSTRUCTIONS -
- READ ALL INSTRUCTIONS CAREFULLY BEFORE STARTING -

ALL WIRING MUST BE DONE BY A PROFESSIONAL AND IN ACCORDANCE WITH NATIONAL AND LOCAL ELECTRICAL CODES.

- PLEASE READ THIS SECTION CAREFULLY BEFORE INSTALLATION -

WARNING – TO REDUCE THE RISK OF FIRE, ELECTRIC SHOCK OR PERSONAL INJURY, OBSERVE THE FOLLOWING:

- 1) Installation work and electrical wiring must be done by qualified professionals and in accordance with all applicable codes and standards, including fire-rated construction.
- 2) When cutting or drilling into wall or ceiling, be careful not to damage electrical wiring or other hidden utilities.
- 3) Ducted hood must always be vented to the outside.
 - a) Before servicing or cleaning unit, SWITCH POWER OFF AT SERVICE PANEL.
 - b) Clean fan, optional filter and grease laden surfaces frequently. To reduce the risk of fire and to properly disperse air, make sure to vent air outside. DO NOT vent exhaust air into wall spaces, attics, crawl spaces or garages.

- NOTE
- This warranty is invalid without an authorized agent's receipt or if unit is damaged due to misuse, poor installation, improper use, mistreatment, negligence or any other circumstances beyond the control of KOBE RANGE HOODS authorized agents. Any repair carried out without the supervision of KOBE RANGE HOODS authorized agents will automatically void the warranty.
 - KOBE RANGE HOODS will not be held responsible for any damages to personal property or real estate or any bodily injuries whether caused directly or indirectly by the range hood.

CAUTION – FOR GENERAL VENTILATION USE ONLY. DO NOT USE TO EXHAUST HAZARDOUS OR EXPLOSIVE MATERIALS AND VAPORS. TO REDUCE THE RISK OF FIRE, USE ONLY METAL DUCTWORK. SUFFICIENT AIR IS NEEDED FOR PROPER COMBUSTION AND EXHAUSTING OF GASES THROUGH THE FLUE (CHIMNEY) OF FUEL BURNING EQUIPMENT TO PREVENT BACK DRAFTING. FOLLOW THE HEATING EQUIPMENT MANUFACTURER'S GUIDELINE AND SAFETY STANDARDS SUCH AS THOSE PUBLISHED BY THE NATIONAL FIRE PROTECTION ASSOCIATION (NFPA), AND THE AMERICAN SOCIETY FOR HEATING, REFRIGERATION AND AIR CONDITIONING ENGINEERS (ASHRAE), AND CODE AUTHORITIES.

- IMPORTANT SAFETY INSTRUCTIONS -

WARNING – TO REDUCE THE RISK OF PERSONAL INJURY IN THE EVENT OF A RANGE TOP GREASE FIRE:

- * Keep fan, optional filter and grease-laden surfaces clean.
- * Always turn hood ON when cooking at high heat.
- * Use high settings on cooking range ONLY when necessary. Heat oil slowly on low to medium setting.
- * Don't leave cooking range unattended when cooking.
- * Always use cookware and utensils appropriate for the type and amount of food being prepared.
- * Use this unit only in the manner intended by the manufacturer.
- * Before servicing, switch power off at service panel and lock service panel (if possible) to prevent power from being switched on accidentally and DETACH the fuse (see section Changing the Fuse).

What to Do In The Event Of a Range Top Grease Fire

- 1) SMOTHER FLAMES with a close-fitting lid, cookie sheet, or metal tray, then turn off the burner. KEEP FLAMMABLE OR COMBUSTIBLE MATERIAL AWAY FROM FLAMES. If the flames do not go out immediately, EVACUATE THE AREA AND CALL THE FIRE DEPARTMENT or 911.
- 2) NEVER PICK UP A BURNING PAN – You may get burned.
- 3) DO NOT USE WATER, including wet dishcloths or towels – a violent steam blast will result.
- 4) Use an extinguisher ONLY if:
 - a) You know you have a Class ABC extinguisher and you already know how to operate it.
 - b) The fire is small and contained in the area where it started.
 - c) The fire department has been called.
 - d) You can fight the fire with your back to an exit.

What to Do If You Smell Gas

- Extinguish any open flame.
- Do not try to turn on the lights or any type of appliance.
- Open all doors and windows to air out any amount of gas. Call the Gas Company and Fire Department right away.

CAUTION: Turning any switch on may cause ignition or an explosion.

- CONTENTS OF RANGE HOOD PACKAGE -
(Must keep all materials for returns or refunds)

- 1) KOBE range hood
- 2) Duct cover & screws
- 3) Patented installation template guide (screw position & vent outline)
- 4) Plastic packet of small parts containing:
 - a) Two oval oil cups & two round oil cups
 - b) Two duct cover position panel & screws
 - c) Two Halogen Lights 12V20W
 - d) Installation manual & warranty card
 - e) Two safety screen
 - f) Plastic adaptor for 7" duct opening
- 5) Packaging materials including:
 - a) Plastic bag to cover hood
 - b) Styrofoam
 - c) Outer carton

Unpack hood and check contents; remove template, & plastic packet of small parts

- PREPARING THE INSTALLATION LOCATION -

—SAFETY WARNING—

INTERIOR OF HOOD MAY HAVE VERY SHARP EDGES; PLEASE WEAR PROTECTIVE GLOVES IF THE BOTTOM CASING NEEDS TO BE REMOVED FOR CLEANING OR SERVICING.

NOTE: TO AVOID DAMAGE TO YOUR HOOD, PREVENT DEBRIS FROM ENTERING THE VENT OPENING.

Make sure the surface of the wall is clean and free of debris.

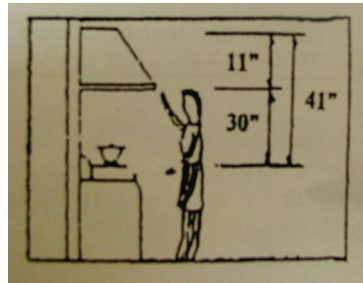
BEFORE INSTALLING, FIRST PEEL PROTECTIVE FILM OFF THE HOOD AND TWO PIECE EXHAUST DUCT COVERS (SLIDE INNER SECTION OUT OF OUTER DUCT COVER).



{Fig. 1e}

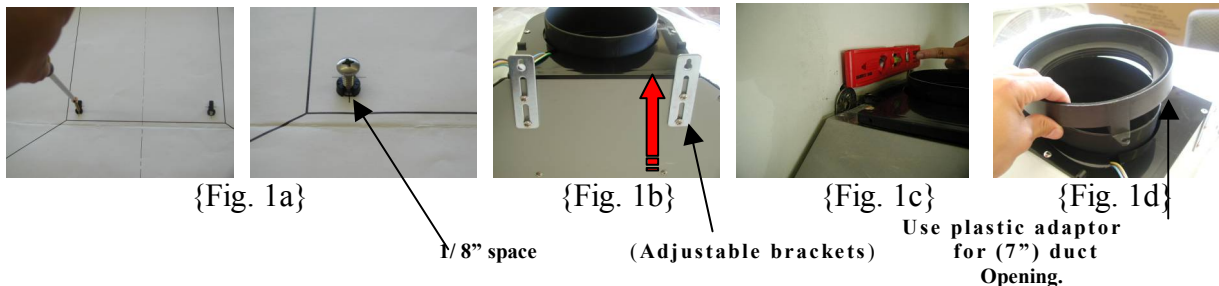
Protective film

- 1) If you need to move the cooking range to install the hood, turn off the power for an electric range at the main electrical box. **SHUT OFF THE GAS BEFORE MOVING A GAS RANGE.**

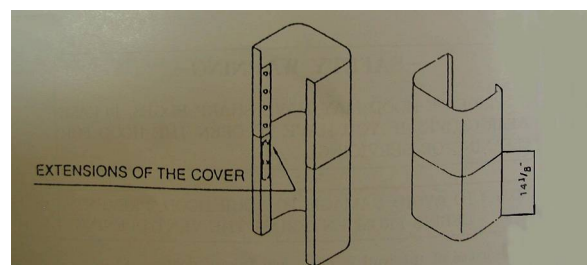


{Fig. 1}

- 2) Secure mounting screws with plastic anchors (included) to clean wall surface 41" from cooking surface leaving about 1/8" of the screw sticking out {Fig. 1a}. (Recommended height from cooking surface to the range hood bottom is 30". The height of the hood, without duct cover, is 11 inches.)

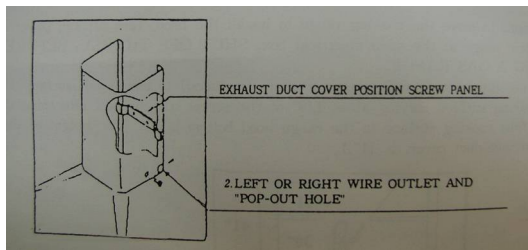


- 3) Use screwdriver to loosen mounting brackets at the back of the hood, adjust brackets and tighten screws (Fig. 1b). Align mounting brackets to the 2 screws on wall and hook hood into place (Fig. 1c). Tear out & dispose of the template. Make sure protective film has been removed before installing (Fig. 1e). **CAUTION: MAKE SURE THE HOOD IS SECURE BEFORE RELEASING.**
- 4) After adjusting the Exhaust Duct Cover to the desired length (14 1/8" to 27 1/2"), place a short screw (included) through the oval opening and hole on duct cover. This will secure the duct cover at the desired length (Fig. 2). Remove left or right pop out square located at the back of duct cover for wire outlet access.

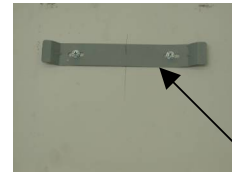


{Fig. 2}

- Use 2 long screws (included) to secure the Exhaust Duct Cover Position Panel to the wall. This will help keep the Exhaust Duct Cover in place. Repeat to secure second positioning panel for extended portion of duct cover. (Fig. 3a)



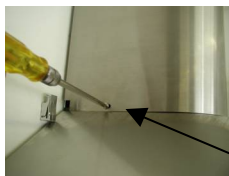
{Fig. 3}



Mounting Screws

{Fig. 3a}

- Fasten duct cover to hood by using a short screws (included). Make sure the screw goes into the plastic receiving end on the hood. Do the same for the other side of the duct cover. (Fig. 3b)



{Fig. 3b}

Screws on both sides

- Slide oval oil container into plastic slot behind each safety screen (Fig.3c). And Attach round oil container under each safety screen. Turn clock-wise until firmly in place (Fig.3d).



{Fig. 3c}

Oval Oil container



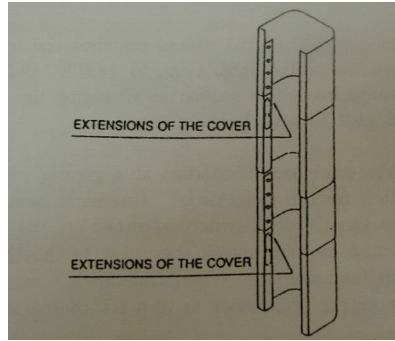
{Fig. 3d}

Round Oil Container

For Installation of Additional KOBE Exhaust Duct Covers (Optional)

If installing additional KOBE Exhaust Duct Cover to extend duct cover beyond 27½”:

- Pull out inner section of KOBE Exhaust Duct Cover and remove protective film before installing. Reinsert the inner duct cover section.
- Depending on additional length needed, adjust the duct cover to the desired length (14 1/8” to 27½”) and place a short screw (included) through the oblong opening and hole on duct cover. This will secure the duct cover at the desired length. Insert the inner section of additional two piece duct cover to outer section of included two piece duct cover and secure with two short screws. (Fig. 4).



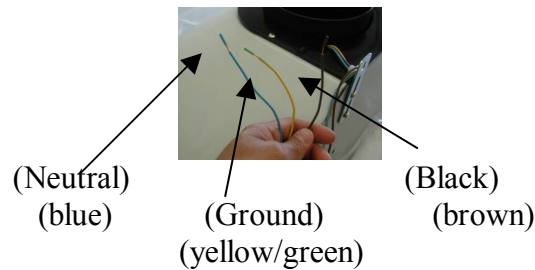
{Fig. 4}

3) Repeat installation instruction from previous step 5).

Making The Electrical Connection (Should Be Done By A Licensed Professional)

——SAFETY WARNING——

INTERIOR OF HOOD MAY HAVE VERY SHARP EDGES; PLEASE WEAR PROTECTIVE GLOVES IF THE BOTTOM CASING NEEDS TO BE REMOVED FOR CLEANING OR SERVICING.



- 1) There are three different color wire strands to be connected. Strip solid wire 5/16" and strip stranded wire 3/8".
- 2) Connect the power line ground wire to the grounding green lead supplied with the hood. Ground wire will always be green.
- 3) Make the electrical connections by fastening the brown power wire to the opposing black power wire and the hood's blue power wire to the other white wire. Align any frayed strands or conductors. Screw on conductors; push wires firmly into connectors when starting. Stop when the bottom of the connector reaches conductor. Follow all electrical safety codes.
- 4) Plug into electrical outlet. Turn on power and check operation of fans and light.
- 5) Check that your fuse has not worked its way loose in shipping. Please see section on Changing the Fuse.

Congratulations, your KOBE range hood is ready to be used!

- OPERATING INSTRUCTIONS -

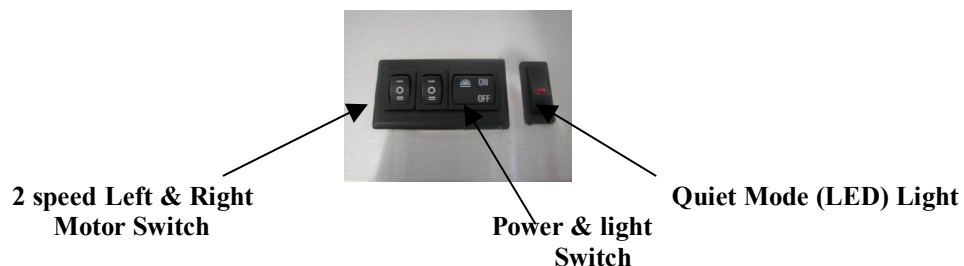
KOBE range hood motors can be operated independently of one another.

This KOBE range hood model is operated by two 2-speed switches located on the front of the hood. Each switch controls a separate motor with high and low settings. (Fig. 5) The low setting will handle most exhaust requirements while the high speed should be used for heavier cooking.

The light switch is located to the right of the control switches and must be turned on to use other control switches. (Fig. 5) NOTE: Before replacing light bulb, turn off range hood. See section on Changing the Light Bulb. DO NOT use more than a 20 watt halogen light bulb.

The QuietMode™ feature offers continuous ventilation at a greatly reduced noise level. The LED indicator switch for the QuietMode™ feature is located to the right of the light switch. When the QuietMode™ switch is turned on, the LED indicator will be lit and both fans will start operating on high speeds then slow to QuietMode™ regardless of whether one or both fans are on. When QuietMode™ is switched off, the previous controls will take effect. Remember to turn off control switches after you are finished.

If motors start slow then it's time to change the Quiet Mode™ unit. Call for servicing.



{Fig. 5}

- MAINTENANCE OF THE HOOD -

—SAFETY WARNING—

INTERIOR OF HOOD MAY HAVE VERY SHARP EDGES; PLEASE WEAR PROTECTIVE GLOVES IF THE BOTTOM CASING NEEDS TO BE REMOVED FOR CLEANING OR SERVICING.

Cleaning

To clean the hood surface, use only Luke-warm water and mild soap or detergent solutions. Dry up surfaces using a soft cloth. CAUTION: Never use abrasive cleaners, paper towels, pads, or cloths as they may damage the hood finish.

If the hood looks splotchy (stainless steel hoods), you can use an orange based cleaner to clean the surface of the hood (make sure the cleaner does not get on any control switches). Spread a light coating over the surface of the hood and leave on for a few minutes (do not leave on too long or there may be damage to the hood finish). Use a soft cloth to wipe off the cleaning solution while gently rubbing off any stubborn spots. Use a slightly damp cloth to get rid of any remaining cleaning solution. Use a dry soft cloth to dry the hood.

To bring the glow back to a stainless steel finish, use a stainless steel cleaner.

To clean range hood fans, turn both motors on high speed and spray a mild degreaser into the fans. Liquid residue will accumulate in the transparent holders located at the back of the safety screen. These slide easily in and out for cleaning. The round transparent holders attached to the fan cover can be unscrewed (turn counterclockwise) for cleaning. (To replace, just screw back in turning clockwise until it clicks into place.) To clean the fan safety screen, remove the screw (leave in a safe place), and slide safety screen out. CAUTION: Be careful of hook end of the safety screen. Both the transparent holders and fan safety screens should be washed with warm soapy water and completely dried before replacing. (Both are top rack dishwasher safe.)

CAUTION: Never put your hand into the area housing the fan while the fan is operating.

For the most efficient operation of your range hood, clean the range hood surface, fans, plastic drip cups and optional filters regularly.

Changing the Light Bulb

- 1) Make sure light switch is turned off and range hood is unplugged. CAUTION: Wait until halogen light is cool to the touch before changing.
- 2) Gently pull out round metal support from the bottom of the halogen light. The halogen light should drop out of the light cavity.
- 3) Gently unplug the defective halogen light and discard. Plug in new halogen light (M16 type, 12V 20 watts max.) and push gently back into light cavity.
- 4) Replace metal support with prongs against the light.
- 5) Plug in range hood.

{Fig. 6}



(6a)

Screw driver



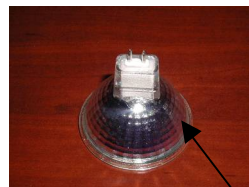
(6b)



(6c)



(6d)



(6e)

(12V 20W) stamped

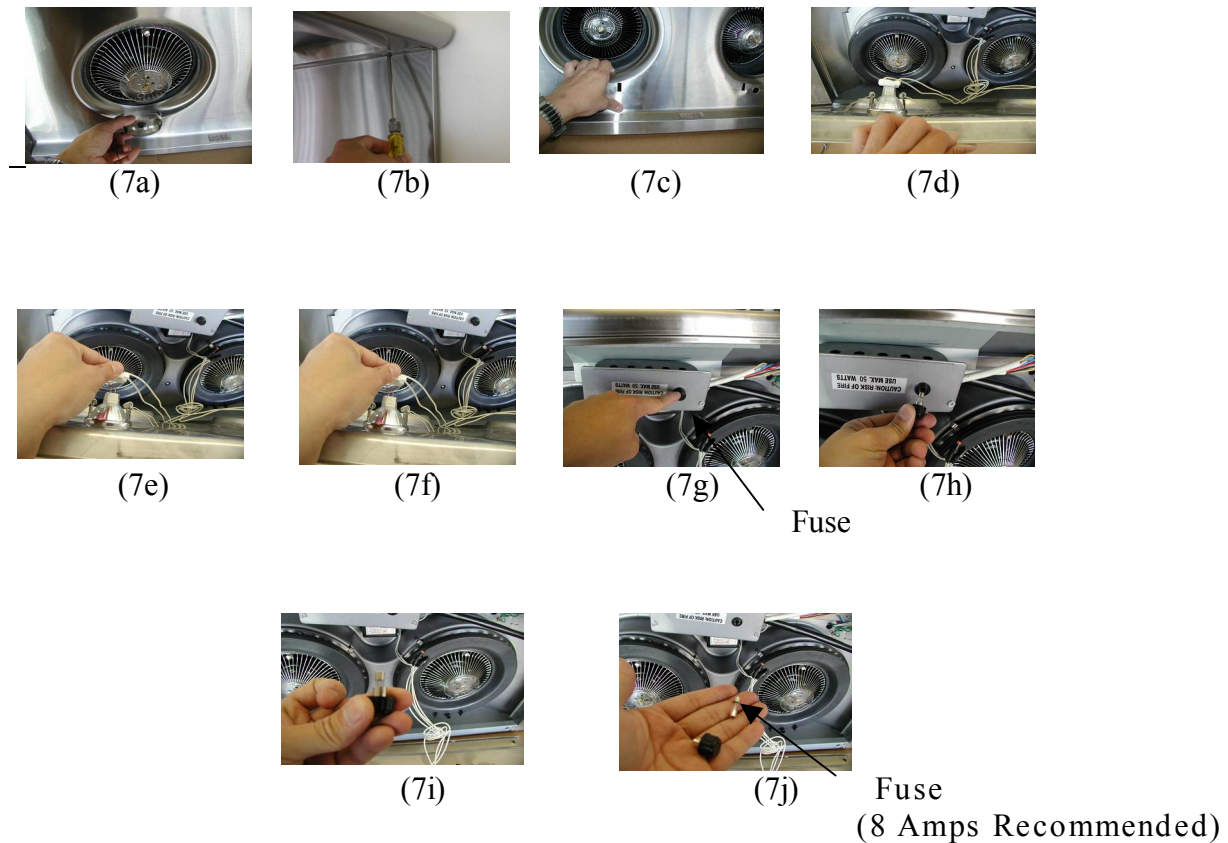
—SAFETY WARNING—

INTERIOR OF HOOD MAY HAVE VERY SHARP EDGES; PLEASE WEAR PROTECTIVE GLOVES IF THE BOTTOM CASING NEEDS TO BE REMOVED FOR CLEANING OR SERVICING.

Changing the Fuse

- 1) Remove rear oil cups. Undo the screws at the bottom of the range hood. **CAUTION:** To avoid electric shock, unplug range hood **FIRST**. Take off the bottom panel of the hood and place on a flat surface.
- 2) Unscrew the black knob that holds the fuse by turning counter-clockwise and gently pull down and out. Discard defective fuse and replace with new fuse (8 Amps Recommended) (making sure it's securely held). Place fuse gently back into opening and turn knob clockwise.
- 3) Replace bottom of range hood.
- 4) Plug in range hood.

{Fig. 7}



Troubleshooting Guide

Problem

Solution

Light does not turn on.

- Check power is plugged in.
- Check light bulb.
- Check fuse.

One fan is turning faster than the other.

- Clean fans.
- Check for loose wires.

Fan is not turning.

- Check power is plugged in.
- Check fuse.
- Check electrical wires are connected correctly.
- Check for loose wires.
- Check switch
- Check QuietMode™ connection

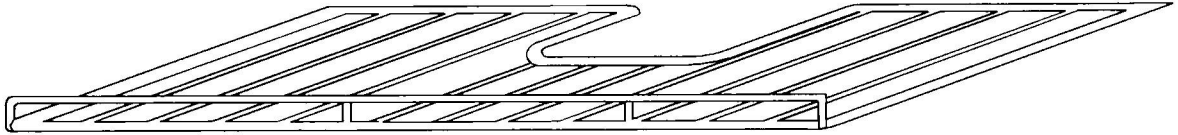
QuietMode™ not working.

- Check power is plugged in.
- Check fuse.
- Check electrical wires are connected correctly.
- Check for loose wires.
- Check switch
- Check QuietMode™ connection
- Check left/right motor is working.

LED light is off.

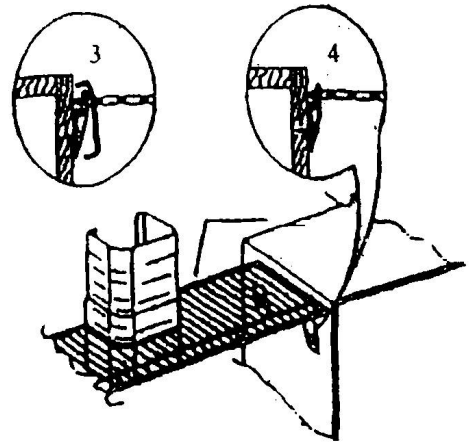
- Check power is plugged in.
- Check fuse.
- Check electrical wires are connected correctly.
- Check for loose wires.
- Check switch

Installation Instruction for Optional Steel Rack (CH80R36U) (Not Included)



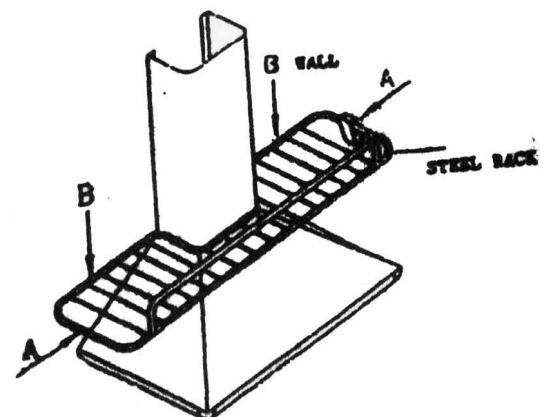
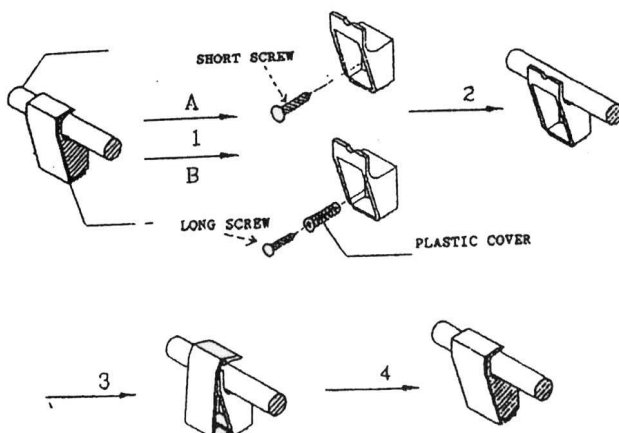
Method A: Installing Steel Rack to Cabinet

- 1) Secure the rack support on the cabinet by using the short screws. (Step 1)
- 2) Place the Steel Rack Shelf on the rack support. (Step 2)
- 3) Attach the rack support cover over the bar of the Steel Rack Shelf first, then snap it into place at the bottom. (Step 3)
- 4) The cover should fit snugly to hold the Steel Rack Shelf securely. (Step 4)



Method B: Installing Steel Rack to Cabinet

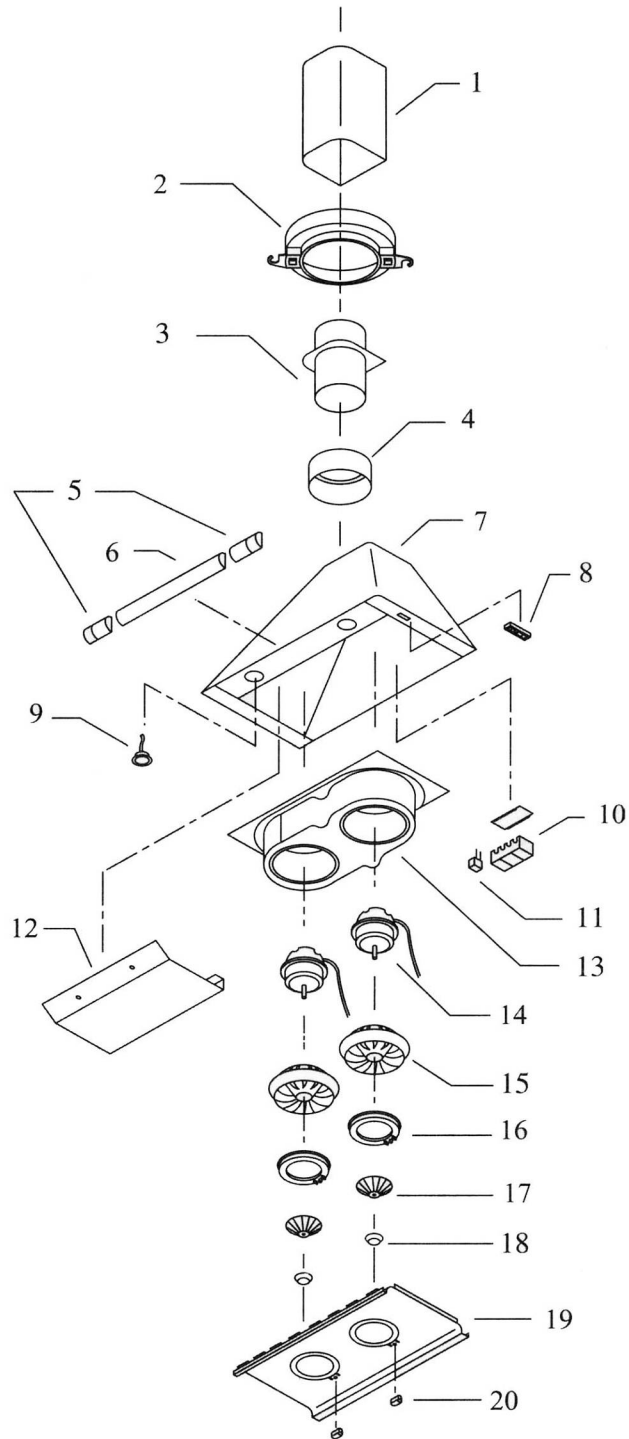
- 1) Drill a 1/4" hole in the wall, use the long screws & the plastic screw cover to attach the steel rack support onto the wall. (Step 1)
- 2) Place the Steel Rack Shelf on the rack support. (Step 2)
- 3) Attach the rack support cover over the bar of the Steel Rack Shelf first then snap it into place at the bottom. (Step 3)
- 4) The cover should fit snugly to hold the Steel Rack Shelf securely. (Step 4)



- Parts List -

Model CH - 180

1	Exhaust Duct Cover
2	Exhaust Duct Stand
3	Exhaust Duct Position Ring
4	Top Casing
5	Front Cover
6	Side Cover (left, Right)
7	Center Panel
8	Direction Unit
9	Wind Box
10	Motor
11	Impeller
12	Isolate Panel
13	Oil Tunnel
14	Oil Holder
15	Oil Container
16	Center Casing
17	Wire Box
18	Control Unit
19	Quiet Mode PCB Set
20	Halogen Light Stand
21	Halogen Light
22	Input Wire
23	Capacitor
24	Center Position Panel
25	Transformer

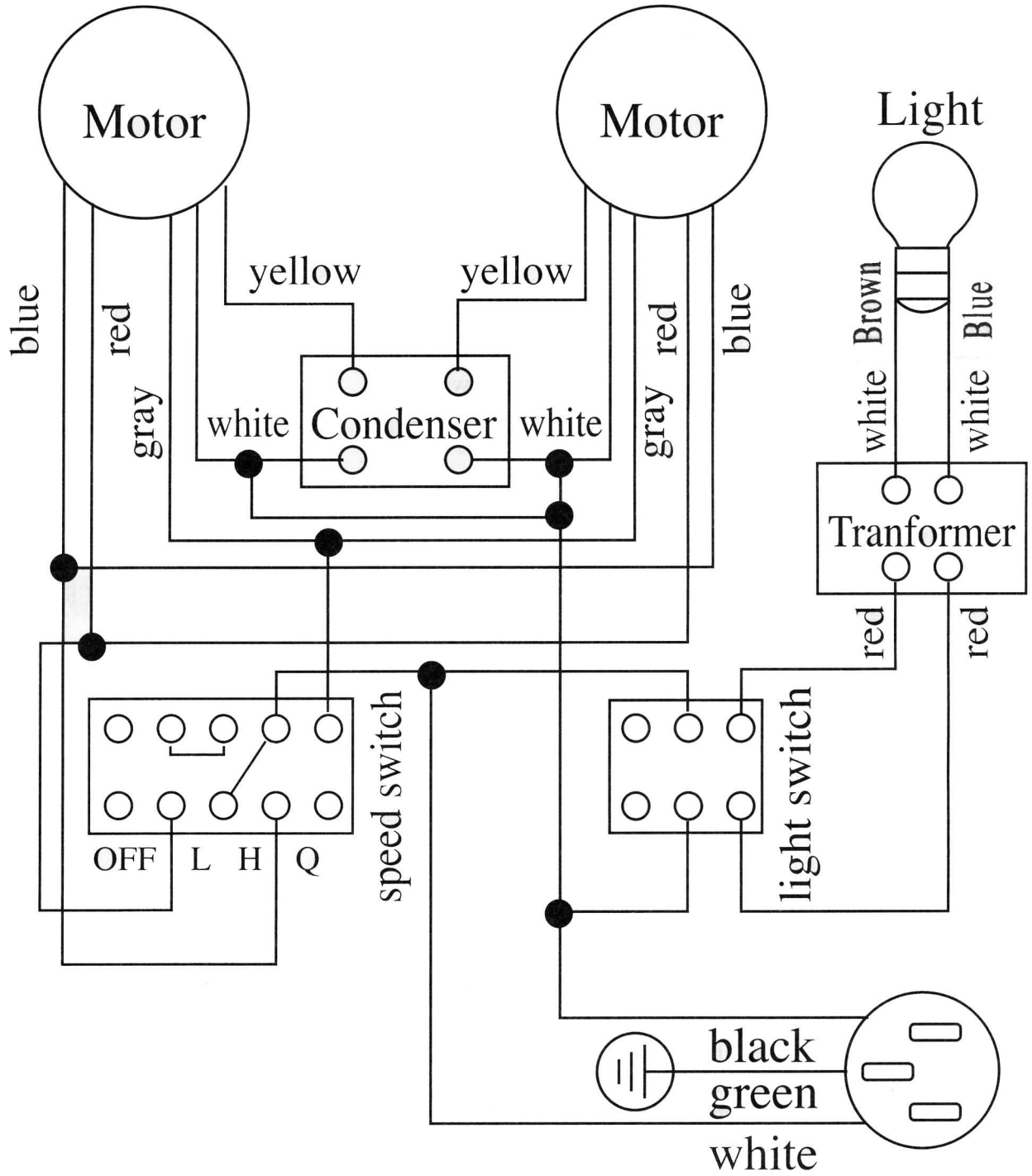


- Specification -

Model	:	CH8036SQS
Size	:	36"
Color	:	304Commercial Grade Stainless Steel – Satin Finish
Voltage	:	120V 60Hz
Consumption	:	160 W / High 142 W / Low
Quiet Mode	:	280 cfm = 1 Sone (38 decibels)
CFM	:	680 cfm / High 565 cfm / Low
Transmit	:	Twin Turbine Impeller
Ducting	:	6" & 7" Round /Adjustable Duct Cover height from 14 1/8" to 27 1/2"
Light	:	2 Halogen Light - 12V 20Watts
Body Dimension (WxDxH)	:	35 1/4" x 19 1/2" x 11"
Packing Dimension (WxDxH)	:	39 1/2" x 23 1/2" x 14 1/2"
Net Weight	:	35.0 lbs
Gross Weight	:	43.0 lbs

-Circuit Diagram-

Model CH - 180



WARRANTY CERTIFICATE

KOBE Range Hoods warrants all products manufactured or supplied by it to be free from defects in workmanship and materials. Its obligations pursuant to this warranty are limited to a period of two years from the date of purchase and to the repair or replacement at its option and subject to the terms and conditions stated below, of any component part which its examination shall disclose to be so defective.

TWO YEAR WARRANTY SERVICE PERIOD

Any covered failure occurring within two years of original purchase arising from defective workmanship or material in manufacture will be repaired (or at our option the unit will be replaced) free of charge by an authorized KOBE Range Hoods Agent or KOBE Range Hoods as applicable. Keep proof of purchase or original invoice handy for inspection.

If the range hood is sold by the original purchaser during the warranty period the new owner is protected until expiration of the original purchaser's warranty.

CONDITIONS

The following conditions apply only in relation to the warranty expressly given in this certificate.

- 1) This warranty applies only:-
 - a) within U.S.A. and Canada
 - b) To range hoods used for PRIVATE SINGLE FAMILY USE (if used for COMMERCIAL or MULTIPLE FAMILY USE or other purposes, warranty is void).
- 2) Repair of any fault to be provided under this warranty shall not be provided:-
 - a) if the identification number attached to the range hood has been altered, rendered illegible or removed;
 - b) If notice of the defect has not been given within the period applicable;
 - c) For failure of light bulbs and/or fuses;
 - d) For physical damage;
 - e) For surfaces damaged by use of improper chemical cleaning agents;
 - f) If the range hood has been:-
 - i) subject to misuse, abuse, negligence, accident, incorrect installation or failure to follow the operating instructions;
 - ii) connected to improper, inadequate or faulty electricity service or exhaust ducts or flues or operated using incorrect or contaminated lubricants;
 - iii) installed, maintained or operated otherwise than in accordance with the instructions furnished by KOBE Range Hoods including the improper use of detergents, bleaches, cleaners or other additives;
 - g) For damage to the range hood during transit, delivery, installation or removal;
 - h) For damage by or resulting from attempted repairs conducted by anyone other than our Authorized Service Agent.
- 3) The purchaser shall be responsible for any expenses involved in making the range hood readily accessible for servicing and where the range hood is installed outside the main sales territory of the retailer or service territory of the nearest approved KOBE Range Hoods Agent, as applicable, for any traveling expenses and any costs of transporting the range hood or parts thereof to and from the dealer or Service Agent
- 4) The purchaser must produce proof of purchase together with this warranty certificate when making the claim.

DISCLAIMER

- 1) **CAREFULLY INSPECT ALL ITEMS FOR DAMAGES BEFORE ACCEPTING DELIVERY. NOTE ANY DAMAGES ON THE FREIGHT BILL OR EXPRESS RECEIPT, REQUEST SIGNATURE OF THE CARRIER'S AGENT AND KEEP COPY TO SUPPORT YOUR CLAIM.** Upon acceptance by the carrier he/she assumes responsibility for its safe arrival. Damages should be reported to carrier and a claim filed. Failure to do this could result in the carrier refusing to honor your claim. The carrier will furnish you with necessary forms for filing a claim.
DAMAGES CAUSED DURING TRANSIT ARE NOT COVERED UNDER OUR WARRANTY.

- 2) **PLEASE INSPECT CONTENTS OF PACKAGE(S) CAREFULLY UPON RECEIVING!** We must be notified in writing of any damages and/or missing parts within the allocated days upon receipt of package(s). Contact your local KOBE dealer or distributor or call KOBE for the time limit.
CLAIMS WILL NOT BE ACCEPTED AFTER THE ALLOCATED DAYS.
NOTE: This item was thoroughly tested and carefully packed in our factory.

- 3) Products must be returned in good working condition with ALL original parts & documentation packed in ALL original cartons, fillers & shipping cartons. A restocking fee of 25% (may be different at time of return) will be charged for all returned items with any missing parts or documentation.
EXCHANGES OR RETURNS MAY NOT BE ACCEPTED IF ANY PACKAGING IS MISSING.

- 4) **BE SURE TO INSPECT THE HOOD FOR DAMAGES AND DEFECTS BEFORE INSTALLATION.** Appearance flaws of the hood found after installation and not affecting hood performance is not covered under our warranty for returns or exchanges. Service visits not covered under warranty will carry a service charge.
YOUR CLAIM FOR CONCEALED DAMAGE MUST BE REPORTED WITHIN FIFTEEN (15) DAYS OF DELIVERY. YOU MUST BE ABLE TO PROVE UNIT WAS DAMAGED WHEN YOU RECEIVED IT.
 - A) Before Installation: Return for exchange or refund (please see above for acceptable returns).
 - B) After Installation: **NO** exchange or refund.

CONSEQUENTIAL DAMAGE

The warrantor is not responsible for any consequential damage. SOME STATES DO NOT ALLOW THE EXCLUSION OF CONSEQUENTIAL DAMAGE SO THE ABOVE EXCLUSION MAY NOT APPLY TO YOU.

IMPLIED WARRANTIES/STATE LAW

Any implied warranties, including the implied warranty of merchantability and fitness for purpose, imposed on the sale by the laws of the state of sale are limited to two years from the date of original purchase. Some states do not allow limitations on the duration of implied warranties. This warranty gives you specific legal rights, and may also have rights which vary from state to state.

SERVICE

For service contact:

Should you require technical assistance, please call your dealer or our toll free number for prior authorization.

KOBE Range Hoods
1039 S. San Gabriel Blvd.
San Gabriel, CA 91776
Call Toll Free 1-877-289-5623
Email: info@koberangehoods.com
www.koberangehoods.com

Free Manuals Download Website

<http://myh66.com>

<http://usermanuals.us>

<http://www.somanuals.com>

<http://www.4manuals.cc>

<http://www.manual-lib.com>

<http://www.404manual.com>

<http://www.luxmanual.com>

<http://aubethermostatmanual.com>

Golf course search by state

<http://golfingnear.com>

Email search by domain

<http://emailbydomain.com>

Auto manuals search

<http://auto.somanuals.com>

TV manuals search

<http://tv.somanuals.com>