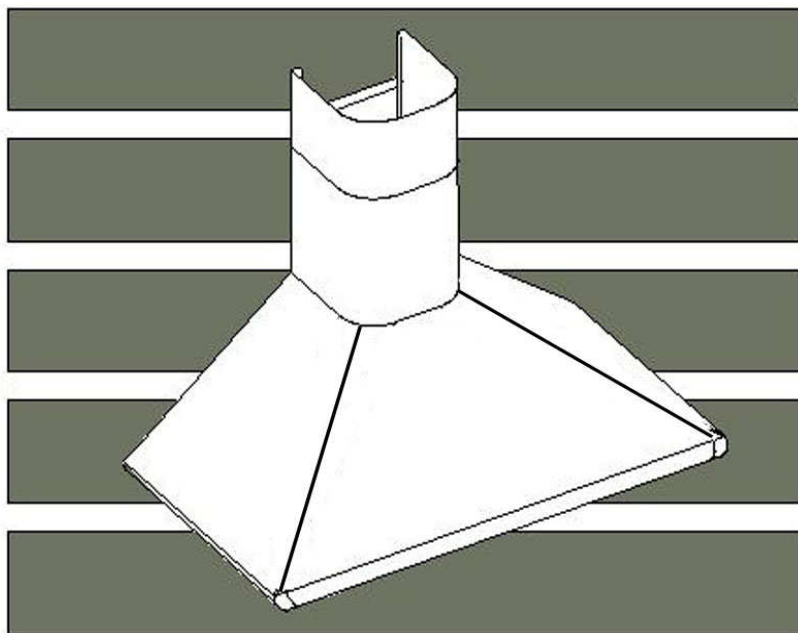


# **KOBE**® **KOBE Brand Range Hood**

Model No. CH8136SQB

## **CH-181 SERIES – 11” HEIGHT**



### **INSTALLATION INSTRUCTIONS AND OPERATION MANUAL**



- READ AND SAVE THESE INSTRUCTIONS -

**CONTENTS**

IMPORTANT SAFETY INSTRUCTIONS ..... 1  
COMPONENTS OF PACKAGE ..... 3  
INSTALLATION..... 4  
OPERATING INSTRUCTIONS ..... 8  
MAINTENANCE ..... 9  
SPECIFICATIONS ..... 11  
MEASUREMENTS & DIAGRAMS..... 12  
PARTS LIST..... 13  
CIRCUIT DIAGRAM ..... 16  
DISCLAIMER ..... 17  
WARRANTY..... 18  
PRODUCT REGISTRATION..... 20

- READ ALL INSTRUCTIONS CAREFULLY BEFORE STARTING -

ALL WIRING MUST BE DONE BY A PROFESSIONAL AND IN ACCORDANCE WITH NATIONAL AND LOCAL ELECTRICAL CODES.



## IMPORTANT SAFETY INSTRUCTIONS

- PLEASE READ THIS SECTION CAREFULLY BEFORE INSTALLATION -

 **WARNING:** TO REDUCE THE RISK OF FIRE, ELECTRIC SHOCK OR PERSONAL INJURY, OBSERVE THE FOLLOWING:

- 1) Installation and electrical wiring must be done by qualified professionals and in accordance with all applicable codes and standards, including fire-rated construction.
- 2) When cutting or drilling into wall or ceiling, be careful not to damage electrical wiring or other hidden utilities.
- 3) Ducted fans must be vented to the outside.
  - a) Before servicing or cleaning unit, open the light panel and SWITCH POWER OFF AT SERVICE PANEL.
  - b) Clean fan, baffles/filters and grease laden surfaces frequently. To reduce the risk of fire and to disperse air properly; make sure to vent air outside. DO NOT vent exhaust air into wall spaces, attics, crawl spaces or garages.

NOTE - This warranty is invalid without an authorized agent's receipt or if unit is damaged due to misuse, poor installation, improper use, mistreatment, negligence or any other circumstances beyond the control of KOBE RANGE HOODS authorized agents. Any repair carried out without the supervision of KOBE RANGE HOODS authorized agents will automatically void the warranty.

- KOBE RANGE HOODS will not be held responsible for any damages to personal property or real estate or any bodily injuries whether caused directly or indirectly by the range hood.

 **WARNING:** TO REDUCE THE RISK OF PERSONAL INJURY IN THE EVENT OF A RANGE TOP GREASE FIRE:

- Keep fan, baffle/filter, if any, and grease-laden surfaces clean.
- Always turn hood ON when cooking at high heat.
- Use high settings on cooking range ONLY when necessary.
- Do not leave cooking range unattended when cooking.
- Always use cookware and utensils appropriate for the type and amount of food prepared.
- Use this unit only in the manner intended by the manufacturer.
- Before servicing, switch power off at service panel and lock service panel (if possible) to prevent power from switching on accidentally.
- Clean ventilating fans frequently. Grease should not be allowed to accumulate on fan and baffles/filters.

## What to Do In The Event Of a Range Top Grease Fire

- SMOTHER FLAMES with a close fitting lid, cookie sheet, or metal tray, and then turn off the burner. KEEP FLAMMABLE OR COMBUSTIBLE MATERIAL AWAY FROM FLAMES. If the flames do not go out immediately, EVACUATE THE AREA AND CALL THE FIRE DEPARTMENT or 911.
- NEVER PICK UP A BURNING PAN – You May Get Burned.
- DO NOT USE WATER, including wet dishcloths or towels – a violent steam blast will result.
- Use an extinguisher ONLY if:
  - 1) You have a Class A, B, C extinguisher and know how to operate it.
  - 2) The fire is small and contained in the area where it started.
  - 3) The fire department has been called.
  - 4) You can fight the fire with your back to an exit.

## What to Do If You Smell Gas

- Extinguish any open flame.
- Do not try to turn on the lights or any type of appliance.
- Open all doors and windows to disperse the gas. If you still smell gas, call the Gas Company and Fire Department right away.

## **CAUTION**

- 1) For general ventilation use only. Do not use to exhaust hazardous or explosive materials and vapors.
- 2) To reduce the risk of fire, use only metal ductwork.
- 3) Follow the heating equipment manufacturer's guideline and safety standards such as those published by the National Fire Protection Association (NFPA), and the American Society for Heating, Refrigeration and Air Conditioning Engineers (ASHRAE), and code authorities.  
Activating any switch on may cause ignition or an explosion.

## **WARNING**



**ELECTRICAL SHOCK HAZARD – Can result in serious injury or death. Disconnect appliance from electric power before servicing. If equipped, the fluorescent light bulb contains small amounts of mercury, which must be recycled or disposed of according to Local, State, and Federal Codes.**

## COMPONENTS OF PACKAGE

(Must keep all material for returns or refunds)

{A} Body

{B} Warranty Registration Card

{C} Instructions Manual

{D} 6-1/4" Plastic Damper

{E} Rubber Seal

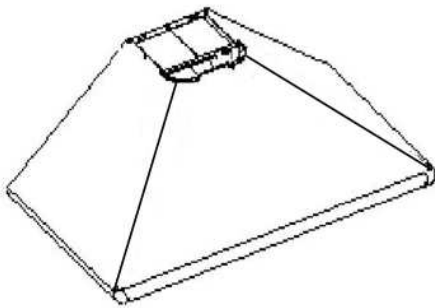
{F} Inner / Outer Duct Cover with Bracket

{G} Hood-Mounting Bracket

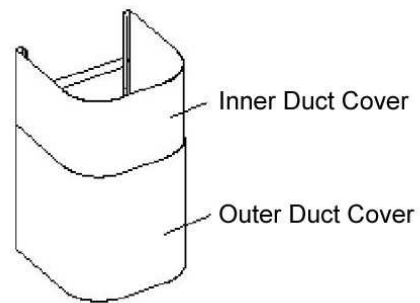
{H} Screw Package

{I} Baffle Filters

{A}



{F}



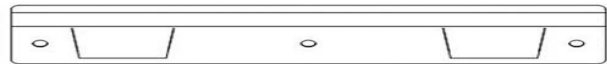
{B}



{C}



{G}



{H}

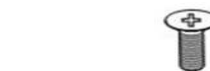
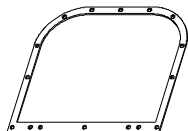


ST 3.5 x 8 mm (2 pcs) ST 3.9 x 10 mm (2 pcs)

{D}

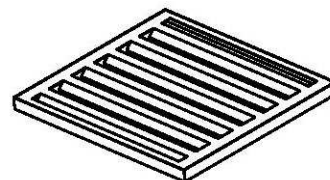


{E}



ST 3.9 x 16 mm (9 pcs)

{I}

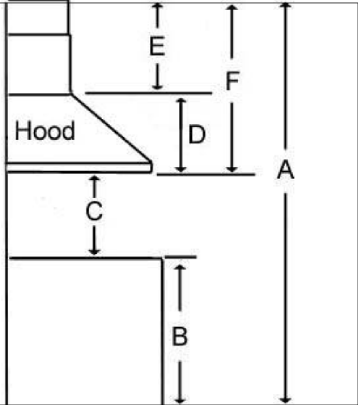


## INSTALLATION

PLEASE READ ENTIRE INSTRUCTION BEFORE PROCEEDING

### Calculation before Installation

To calculate installation, please refer to Table 1. (All calculation in inches.)

TABLE 1	
<p>A = Height of Floor to Ceiling B = Height of Floor to Counter Top (Standard: 36") <b>C = Preferred Height of Counter Top to Hood Bottom (Recommended 27" to 30")</b> D = Height of Hood E = Height of Duct Cover [F - D] F = Height of Hood Installation [A - (B + C)]</p>	

### SAFETY WARNING

**HOOD MAY HAVE VERY SHARP EDGES; PLEASE WEAR PROTECTIVE GLOVES IF REMOVING ANY PARTS FOR INSTALLING, CLEANING OR SERVICING.**

### Preparation before Installation

**NOTE: TO AVOID DAMAGE TO YOUR HOOD, PREVENT DEBRIS FROM ENTERING THE VENT OPENING.**

- Decide the location of venting pipe from the hood to the outside. Refer to Figure 1.
  - A straight, short venting run will allow the hood to perform more efficiently.
  - Try to avoid as many transitions, elbows, and long run as possible. This may reduce the performance of the hood.
  - Use duct tape to seal the joints between pipe sections.
  - Temporarily wire the hood to test for proper operation before installing.
1. If necessary, prepare back wall frame with cross framing lumber for secure installation. Using references in Table 1 and measurements on page 12, decide the level of the lumber. Refer to Figure 2.

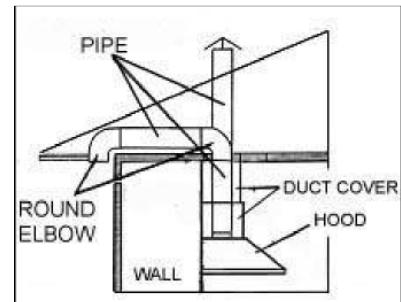


Figure 1

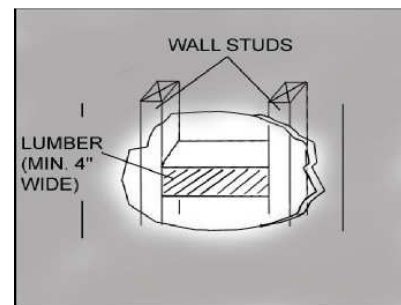


Figure 2

2. Peel protective film off the duct covers and the hood (if any).

3. If necessary, remove the rubber stand at the back of the hood and store in case of future use. (For a more secure installation, KOBE recommends not removing the rubber stands.) Refer to Figure 3.



Figure 3

4. Place rubber seal on hood venting area; making sure the holes on rubber seal and vent area are aligned. Refer to Figure 4.



Figure 4

5. Pull power cord through the electrical opening on plastic damper. Refer to Figure 5.

6. Place plastic damper on rubber seal and attach to hood with seven ST 3.9 x 16 mm screws (provided).



Figure 5

7. Adjust height of duct cover and secure using two ST 3.5 x 8 mm screws (provided). Refer to Figure 6 and Figure 7.

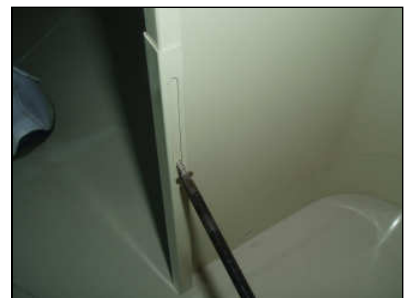


Figure 6

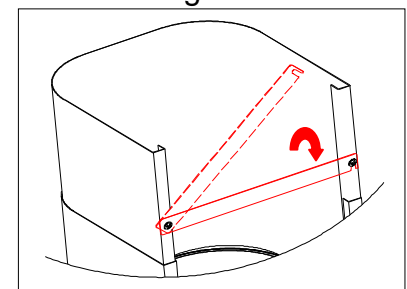


Figure 7



## Hood Installation

### **CAUTION**

If moving the cooking range is necessary to install the hood, turn off the power in an electric range at the main electrical box. **SHUT OFF THE GAS BEFORE MOVING A GAS RANGE.**

8. Using references in Table 1 and measurements on page 12, mark the leveling point for hood-mounting bracket on the wall.
9. Secure hood-mounting bracket with screws (not provided). Refer to Figure 8.
10. Align hood to hood-mounting bracket on the wall and hook hood into place. Refer to Figure 9. **CAUTION: MAKE SURE THE HOOD IS SECURE BEFORE RELEASING.**



Figure 8



Figure 9

## Ductwork Installation

11. Use 7" round pipe to connect the plastic exhaust on the hood to the ductwork above. Use duct tape to make all joints secure and air tight. Refer to Figure 10.



Figure 10

## Wiring Power Supply

### **⚠ SAFETY WARNING**

**RISK OF ELECTRICAL SHOCK. THIS RANGE HOOD MUST BE PROPERLY GROUNDED. MAKE SURE THIS IS DONE BY SPECIALIZED ELECTRICIAN IN ACCORDANCE WITH ALL APPLICABLE NATIONAL AND LOCAL ELECTRICAL CODES. BEFORE CONNECTING WIRES, SWITCH POWER OFF AT SERVICE PANEL TO PREVENT POWER FROM BEING SWITCHED ON ACCIDENTALLY.**

12. Connect the three hood wires to house wires according to color (black to black, white to white, and green to green) and cap with wire connectors.
13. Test the operation of the hood before moving on to the next step to make sure power is supplied to the hood.

## Duct Cover Installation

**NOTE: BE CAREFUL WHEN USING ELECTRICAL SCREWDRIVER, DAMAGE TO THE HOOD MAY OCCUR.**

14. Slide duct cover onto the hood. Refer to Figure 11.
15. Secure duct cover to the body using two ST 3.9 X 10 mm screws (provided). Refer to Figure 12.



Figure 11

## Final Assembly

16. Turn power on in control panel. Check light and fan operation.
17. Make sure to leave this manual for the homeowner.



Figure 12

## OPERATING INSTRUCTIONS

This hood is equipped with three speeds, powerful centrifugal squirrel cage with baffle filters, and two bright 12-volt 20-watt halogen lights.

The control buttons are the light and speed controls (QuietMode™, Low and High). Refer to Figure 12.

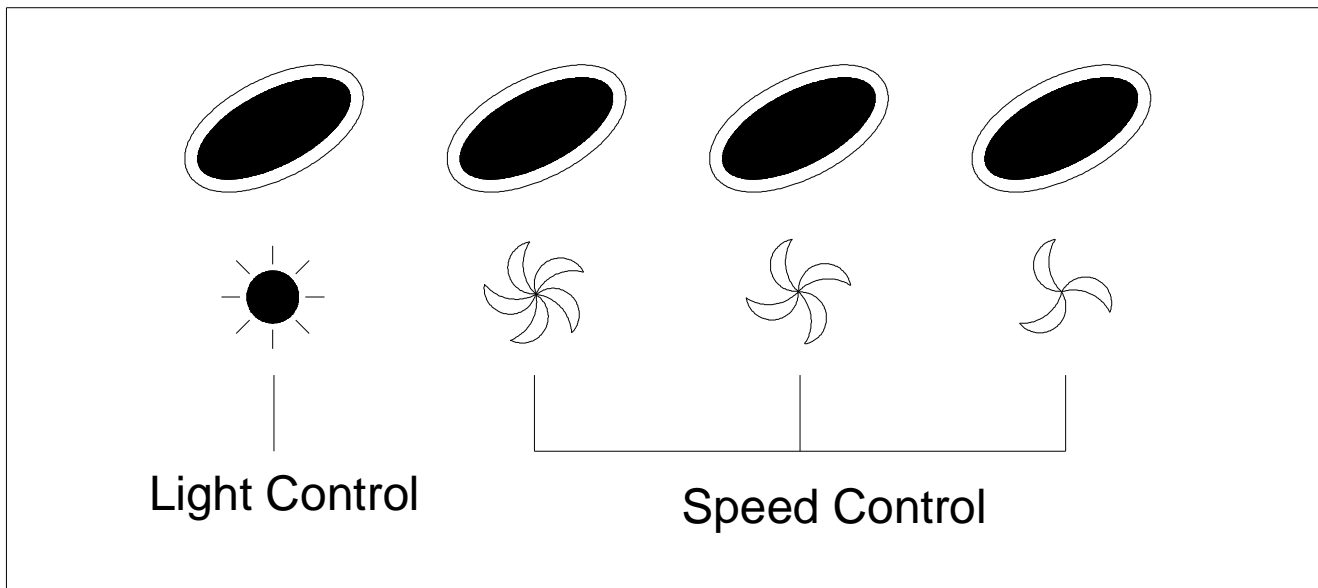


Figure 12

### Light Control:

Press button to turn on / off.

### Speed Control:

Press button for speed. (QuietMode™, Low and High).

## MAINTENANCE



### **SAFETY WARNING**

**NEVER PUT YOUR HAND INTO AREA HOUSING THE FAN WHILE THE FAN IS OPERATING.**

For optimal operation, clean range hood surface and stainless steel baffle filters regularly.

### Cleaning Hood Surface



**CAUTION: NEVER USE ABRASIVE CLEANERS, PADS, OR CLOTHS.**

Regular care will help preserve the appearance of the hood.

- 1) Use only mild soap or detergent solutions. Dry surfaces using soft cloth.
- 2) If hood looks splotchy (stainless steel hood), use an orange base cleaner to clean the surface of the hood. Avoid getting cleaner on the control switches. Spread a light coating over the surface of the hood and leave on for a few minutes. **CAUTION: Do not leave on too long as this may cause damage to hood finish.** Use soft towel to wipe off the cleaning solution, gently rub away stubborn spots. Use a slightly damp towel to get rid of any cleaning solution. Use dry soft towel to dry the hood.
- 3) To bring glow back into a stainless steel finish, use a stainless steel cleaner.
- 4) DO NOT allow deposits to remain for extended periods.
- 5) DO NOT use ordinary steel wool or steel brushes. Small bits of steel adhering to the surface may cause rust.
- 6) DO NOT allow salt solutions, disinfectants, bleaches, or cleaning compounds to remain in contact with stainless steel for extended periods. Many of these compounds contain chemicals, which may be harmful. Rinse with water after exposure and wipe dry with a clean cloth.

## Cleaning Stainless Steel Baffle Filter

**CAUTION:** DRAIN OIL BEFORE RESIDUE CAN OVERFLOW.

1. Grasp knob on baffle filter and push filter toward rear ①.
2. Gently pull each baffle filter down ② and discard oil and residue.
3. Wash baffle filters with warm soapy water.
4. Dry thoroughly and put back.

NOTE: Baffle Filters are top rack dishwasher safe.

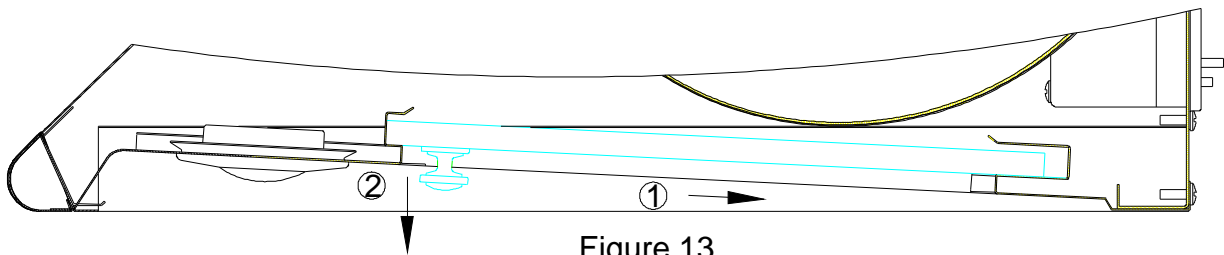
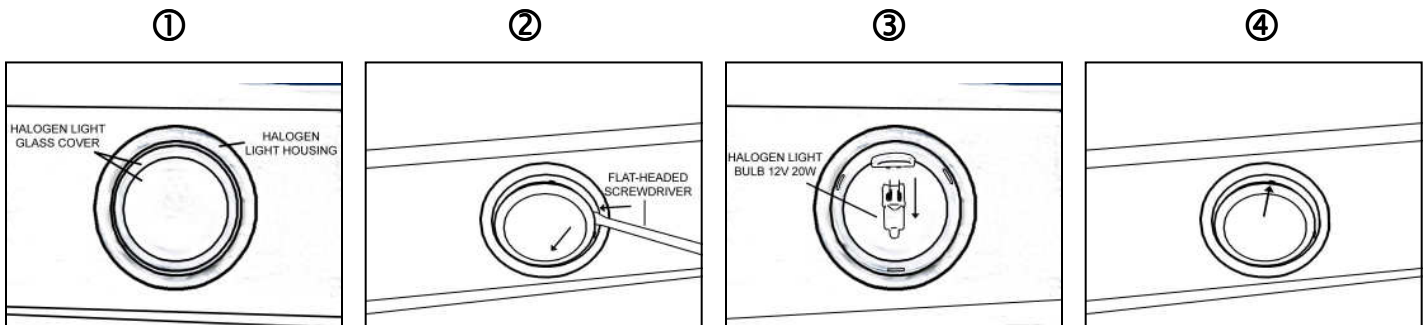


Figure 13

## Replacing Light Bulb

**CAUTION:** HALOGEN LIGHT UNIT MAY BE HOT! WAIT UNTIL UNIT IS COOL.



1. Make sure all controls are OFF, and range hood is unplugged.
2. Place a flat-head screwdriver into the groove between the halogen light glass covering and the housing ①.
3. Gently separate glass covering from the housing ②.
4. Gently pull out the defective light bulb ③ and discard. Light bulb should be 12V 20W maximum.
5. Wear a glove or use a cloth to hold the new light bulb and push securely into light socket. NOTE: DO NOT PUSH TOO HARD OR YOU MAY BREAK THE BULB CONNECTOR.
6. Put back halogen light glass cover ④.
7. Plug back power cord and turn on range hood to test for operation.

## SPECIFICATIONS

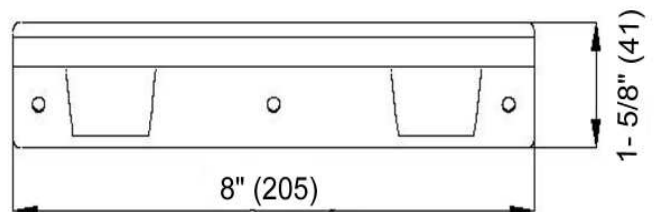
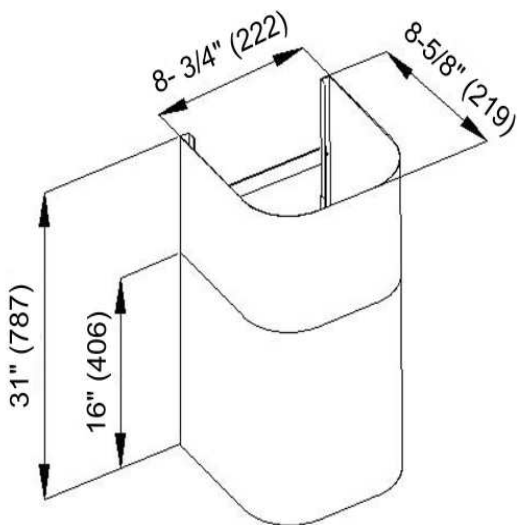
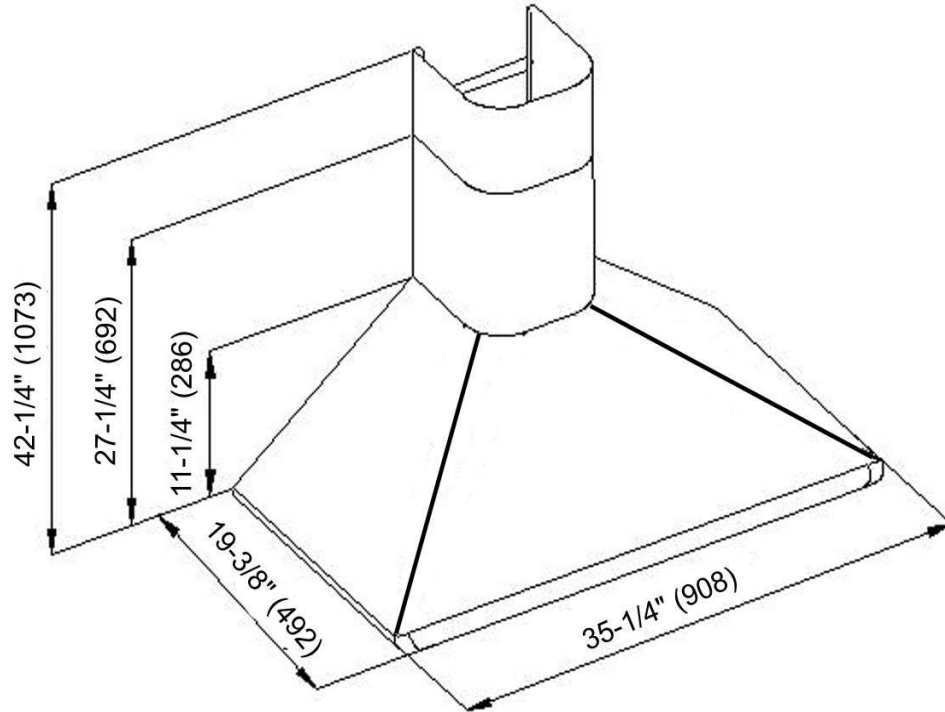
MODEL / SIZE	CH8136SQB / 36"		
COLOR	# 304 Commercial Grade Stainless Steel		
DESIGN	20-Gauge / Satin Finish		
FAN TYPE	Squirrel Cage		
EXHAUST	6-1/4" Round Damper		
CONTROLS	Three Speeds (QuietMode™, Low, High)		
HALOGEN LIGHTS	12V 20W x 2		
HOOD DIMENSION (W x D x H)	35-1/4" x 19-3/8" x 11-1/4"		
DUCT COVER DIMENSION (W x D x H)	8-3/4" x 8-5/8" x 16"~31"		
WEIGHT (lbs)	NET	GROSS	
	37.4	44.0	
SPEED	QuietMode™	Low	High
	Air Capacity (cfm)	250	450
		600	
	Sone*	1.0	2.8
			4.5

\*In House Test Static Pressure "0". One Sone is equivalent to the sound of a refrigerator at 40 decibels.

\*\*Specifications subject to change without notice.

## MEASUREMENTS & DIAGRAMS

\*\*\* All inch measurements are converted from millimeters. Inch measurements are estimated.



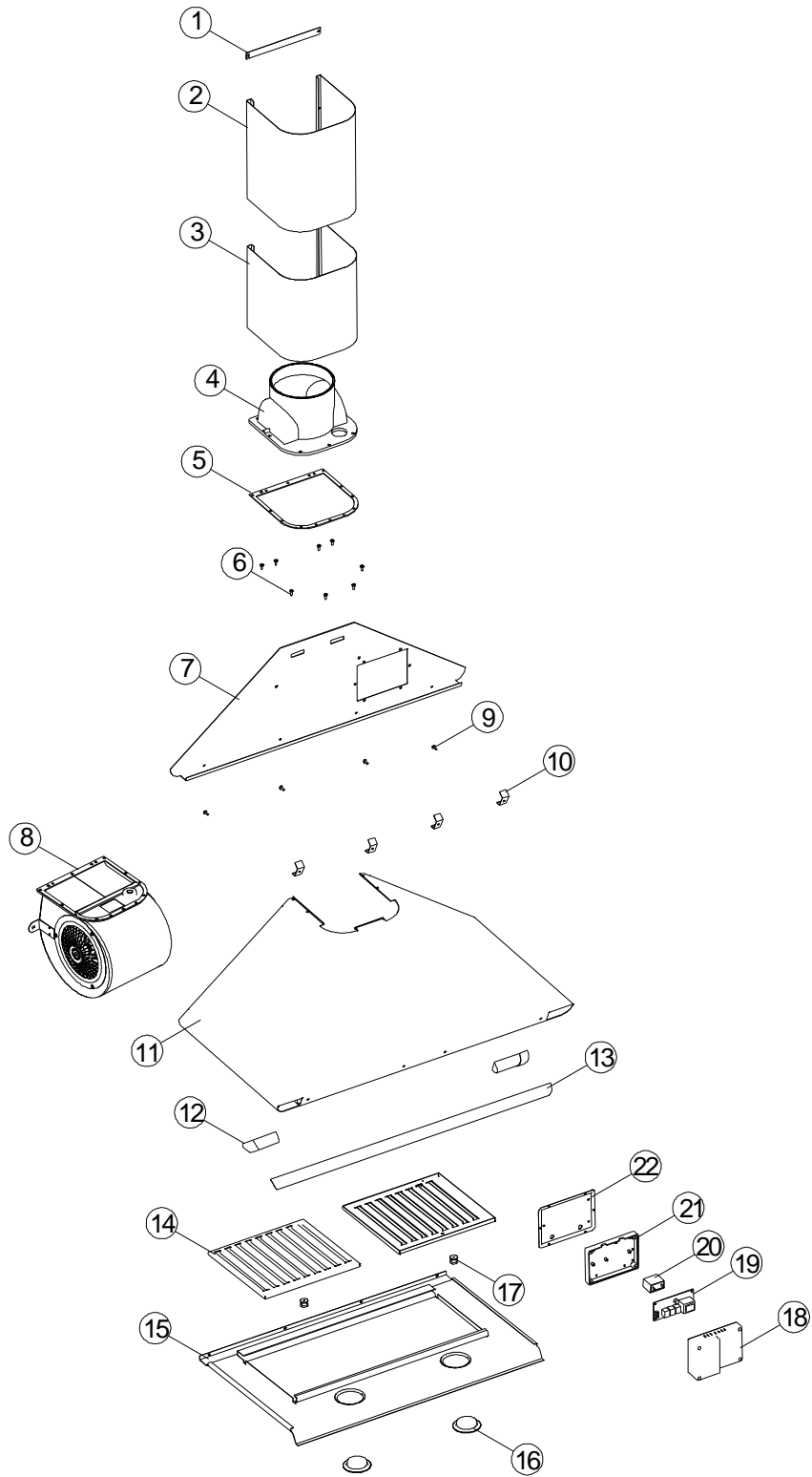
# PARTS LIST

MODEL NO.: CH8136SQB

NO.	DESCRIPTION	MODEL / SIZE	PART NO.
1	Duct Cover Bracket		CH0061
2	Inner Duct Cover		CH0595
3	Outer Duct Cover		CH0596
4	6-1/4" Plastic Damper		CY0187
5	Rubber Seal		CH0539
6	Screws (3/16" X 3/8")		G3215
7	Back Casing		CH0592
8	Blower Assembly		
9	Screws (3/16" X 3/8")		G3398
10	Brackets		CH0059
11	Hood Frame		CH0040
12	Left / Right Side Trim		CY0619/CY0620
13	Front Trim		CH0044
14	Baffle Filters		CH0594
15	Bottom Casing		CH0591
16	Halogen Lights		CY03341
17	Baffle Knobs		CY0324
18	Electrical Box		CY04751
19	Power Board		CY0278
20	Capacitor		01475
21	Electrical Box Cover		CY0475
22	Setup Board		CH0048

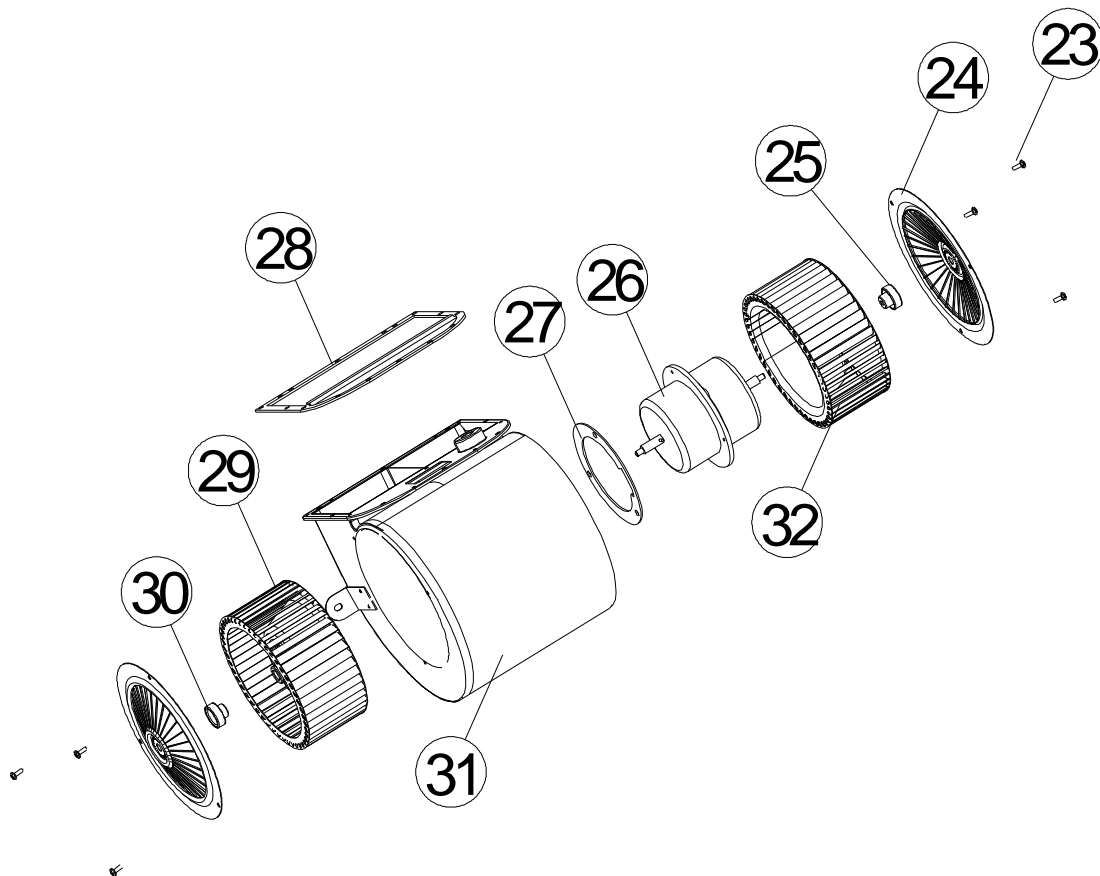


MODEL NO.: CH8136SQB

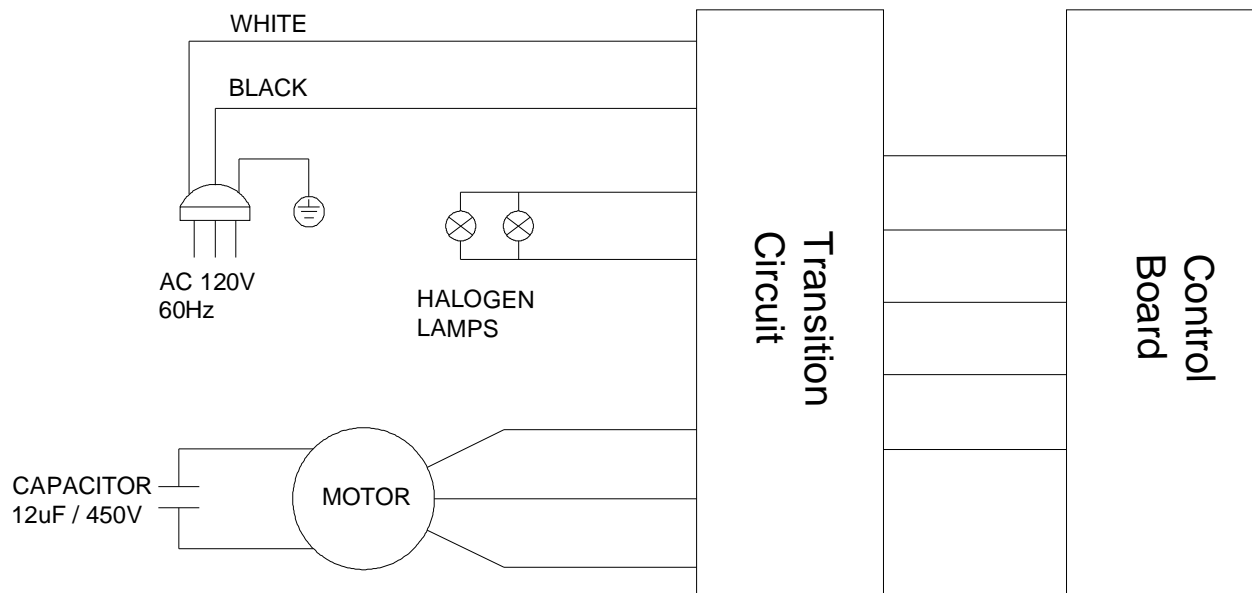


## Blower Assembly

NO.	DESCRIPTION	MODEL / SIZE	PART NO.
23	Screw (3/16" X 3/8")		G3231
24	Air Flow Grill		CY0406
25	Right Locknut		CY0382
26	Motor		CY0519
27	Fixture Ring		CY0572
28	Vent Plate		CY0529
29	Left Blower		CY0160
30	Left Locknut		CY0365
31	Air Chamber		CH0052
32	Right Blower		CY0161



# CIRCUIT DIAGRAM



## DISCLAIMER

1. **CAREFULLY INSPECT ALL ITEMS FOR DAMAGES BEFORE ACCEPTING DELIVERY. NOTE ANY DAMAGES ON THE FREIGHT BILL OR EXPRESS RECEIPT. REQUEST NAME AND SIGNATURE OF THE CARRIER'S AGENT AND KEEP COPY TO SUPPORT YOUR CLAIM.**

Upon acceptance of items, owner assumes responsibility for its safe arrival. Damages should be reported to carrier and a claim filed. Failure to do this could result in the carrier refusing to honor your claim. The carrier will furnish you with necessary forms for filing a claim.

**DAMAGES CAUSED DURING TRANSIT ARE NOT COVERED UNDER OUR WARRANTY.**

2. **PLEASE INSPECT CONTENTS OF PACKAGE (S) CAREFULLY UPON RECEIVING!**

We must be notified in writing of any damages and/or missing parts within the allocated days upon receipt of package(s). Contact your local KOBE dealer or distributor or call KOBE for the time limit.

**CLAIMS WILL NOT BE ACCEPTED AFTER THE ALLOCATED DAYS.**

NOTE: ITEMS WERE THOROUGHLY TESTED AND CAREFULLY PACKED IN OUR FACTORY.

3. Products must be returned in good working condition with ALL original parts and documentation packed in ALL original cartons, fillers and shipping cartons. A restocking fee of 25% will be charged for all approved return(s).

**EXCHANGES OR RETURNS MAY NOT BE ACCEPTED IF ANY PACKAGING IS MISSING.**

4. **MAKE SURE TO INSPECT THE HOOD FOR DAMAGES AND DEFECTS BEFORE INSTALLATION.** Appearance flaws of the hood found after installation and not affecting hood performance is not covered under our warranty for returns or exchanges. Service visits not covered under warranty will carry a service charge.

A) Before Installation: Return for exchange or refund (please see above for acceptable returns).

B) After Installation: **NO** exchange or refund.

## WARRANTY

### WARRANTY CERTIFICATE

KOBE Range Hoods, Inc. warrants all products manufactured or supplied by it to be free from defects in workmanship and materials. Its obligations pursuant to this warranty are limited to a period of two years from the date of purchase and to the repair or replacement at its option and subject to the terms and conditions stated below, of any component part, which its examination shall disclose to be so defective.

### TWO-YEAR WARRANTY SERVICE PERIOD

Any covered failure occurring within two years of original purchase arising from defective workmanship or material in manufacture will be repaired (or at our option the unit will be replaced) free of charge by an authorized KOBE Range Hoods Agent or KOBE Range Hoods as applicable. Keep proof of purchase (or original invoice) handy for inspection.

If the range hood is sold by the original purchaser during the warranty period the new owner is protected until expiration of the original purchaser's warranty.

### CONDITIONS

The following conditions apply only in relation to the warranty expressly given in this certificate.

- 1) This warranty applies only:
  - a) within U.S.A. and Canada.
  - b) to range hoods used for PRIVATE SINGLE FAMILY USE (if used for COMMERCIAL or MULTIPLE FAMILY USE or other purposes, warranty will be voided).
- 2) Repair of any fault to be provided under this warranty shall not be provided:
  - a) if the identification number attached to the range hood has been altered, rendered illegible or removed;
  - b) if notice of the defect has not been given within the period applicable;
  - c) for failure of light bulbs;
  - d) for physical damage;
  - e) for surfaces damaged by use of improper chemical cleaning agents;
  - f) if the appliance has been:
    - i) subject to misuse, abuse, negligence, accident, incorrect installation or failure to follow the operating instructions;
    - ii) connected to improper, inadequate or faulty electricity service or exhaust ducts or flues or operated using incorrect or contaminated lubricants;
    - iii) installed, maintained or operated otherwise than in accordance with the instructions furnished by KOBE Range Hoods including the improper use of detergents, bleaches, or cleaners.
  - g) for damage to range hood during transit, delivery, installation or removal;

- h) for damage by or resulting from attempted repairs conducted by anyone other than our Authorized Service Agent.
- 3) The purchaser shall be responsible for any expenses involved in making the range hood readily accessible for servicing and where the range hood is installed outside the main sales territory of the retailer or service territory of the nearest approved KOBE Range Hoods Agent as applicable, for any traveling expenses and any costs of transporting the range hood or parts thereof to and from the dealer or Service Agent
- 4) The purchaser must produce proof of purchase together with this warranty certificate when making the claim.
- 5) Damages caused during shipment are not covered under our warranty.

### **CONSEQUENTIAL DAMAGE**

The warrantor is not responsible for any consequential damage. SOME STATES DO NOT ALLOW THE EXCLUSION OF CONSEQUENTIAL DAMAGE SO THE ABOVE EXCLUSION MAY NOT APPLY TO YOU.

### **IMPLIED WARRANTIES/STATE LAW**

Any implied warranties, including the implied warranty of merchantability and fitness for purpose, imposed on the sale by the laws of the state of sale are limited to two year from the date of original purchase. Some states do not allow limitations on the duration of implied warranties. This warranty gives you specific legal rights, and may also have rights, which vary from state to state.

### **SERVICE**

For service contact:

KOBE Range Hoods  
10505 Valley Blvd, Suite 302  
El Monte, CA 91731  
U.S.A  
Tel: (626) 350-1355 Fax: (626) 350-1976  
Email: [customer.service@KOBERangeHoods.com](mailto:customer.service@KOBERangeHoods.com)  
Website: [www.KOBERangeHoods.com](http://www.KOBERangeHoods.com)

# PRODUCT REGISTRATION

## Register Your Product!

Any covered failure occurring within two years of original purchase arising from defective workmanship or material in manufacture will be repaired or at our option the unit will be replaced free of charge by an authorized KOBE Range Hoods Agent or KOBE Range Hoods as applicable. Keep proof of purchase (original invoice) handy for inspection.

If the range hood is sold by the original purchaser during the warranty period the new owner is protected until expiration of the original purchaser's warranty. See warranty section for complete warranty coverage information.

This appliance has been manufactured, tested, and inspected to the standards required by KOBE Range Hoods.

## PLEASE MAIL IN YOUR WARRANTY REGISTRATION CARD AND PROOF OF PURCHASE TO:

KOBE Range Hoods  
10505 Valley Blvd, Suite 302  
El Monte, CA 91731

## RECORD THE FOLLOWING INFORMATION FOR YOUR RECORD:

Model No. \_\_\_\_\_

Serial No. \_\_\_\_\_

Purchased Date            \_\_\_\_/\_\_\_\_/\_\_\_\_

Purchased From:

\_\_\_\_\_

\_\_\_\_\_

\_\_\_\_\_

**IMPORTANT: PLEASE KEEP A COPY OF YOUR SALE RECEIPT OR INVOICE HANDY WHEN REQUESTING SERVICE.**

**KOBE**<sup>®</sup>

KOBE Range Hoods  
10505 Valley Blvd Suite # 302  
El Monte, CA 91731 USA

<http://www.KOBERangeHoods.com>

This KOBE hood is made for use in the USA and CANADA only. We do not recommend using this hood overseas as the power supply may not be compatible and may violate the electrical code of that country. **Using a KOBE hood overseas is at your own risk and will void your warranty.**

V.060915



## Free Manuals Download Website

<http://myh66.com>

<http://usermanuals.us>

<http://www.somanuals.com>

<http://www.4manuals.cc>

<http://www.manual-lib.com>

<http://www.404manual.com>

<http://www.luxmanual.com>

<http://aubethermostatmanual.com>

Golf course search by state

<http://golfingnear.com>

Email search by domain

<http://emailbydomain.com>

Auto manuals search

<http://auto.somanuals.com>

TV manuals search

<http://tv.somanuals.com>