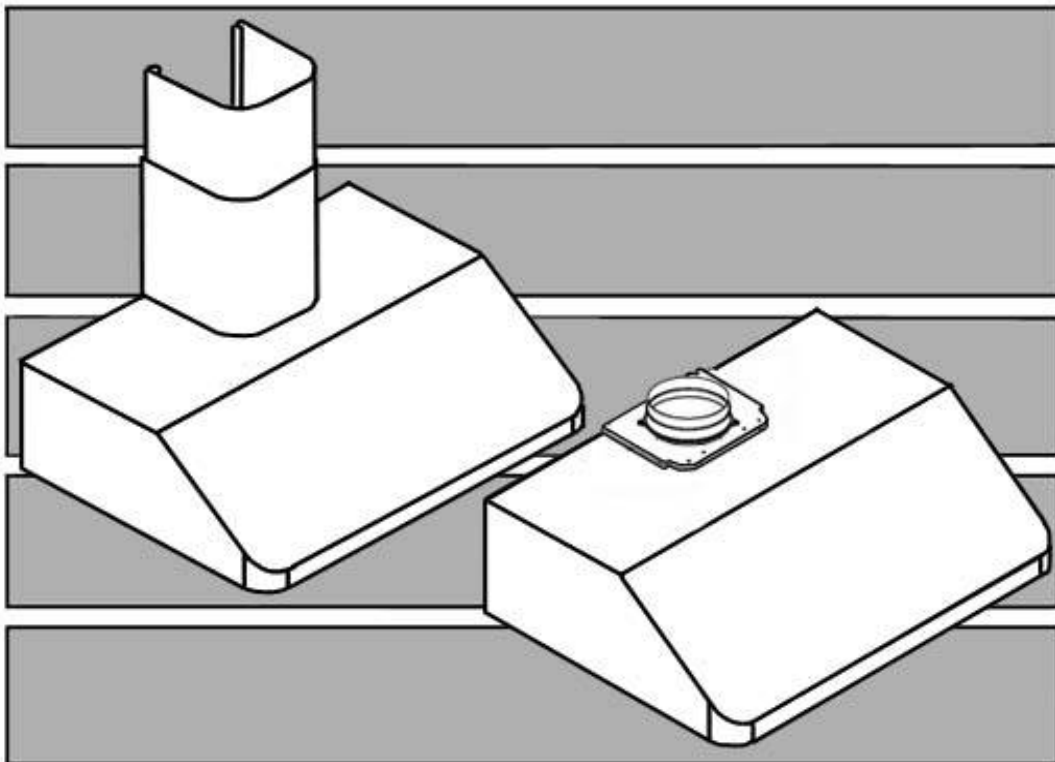


KOBE® **KOBE Brand Range Hood**

**Model No. CH9130SQB
CH9136SQB
CH9142SQB
CH9148SQB**

CH-191 SERIES – 9” HEIGHT



**INSTALLATION INSTRUCTIONS
AND OPERATION MANUAL**

- READ AND SAVE THESE INSTRUCTIONS -

CONTENTS

| | |
|------------------------------------|----|
| Important Safety Instructions..... | 1 |
| Components of Package | 3 |
| Installation..... | 4 |
| Operation Instructions | 11 |
| Maintenance..... | 12 |
| Specifications..... | 13 |
| Measurements & Diagrams | 14 |
| Parts List..... | 16 |
| Circuit Diagram | 20 |
| Disclaimer | 22 |
| Warranty | 23 |
| Product Registration..... | 25 |

- READ ALL INSTRUCTIONS CAREFULLY BEFORE STARTING -

ALL WIRING MUST BE DONE BY A PROFESSIONAL AND IN ACCORDANCE WITH NATIONAL AND LOCAL ELECTRICAL CODES.

kv.060105



IMPORTANT SAFETY INSTRUCTIONS

- PLEASE READ THIS SECTION CAREFULLY BEFORE INSTALLATION -



WARNING – TO REDUCE THE RISK OF FIRE, ELECTRIC SHOCK OR PERSONAL INJURY, OBSERVE THE FOLLOWING:

- 1) Installation and electrical wiring must be done by qualified professionals and in accordance with all applicable codes and standards, including fire-rated construction.
- 2) When cutting or drilling into wall or ceiling, be careful not to damage electrical wiring or other hidden utilities.
- 3) Ducted fans must be vented to the outside.
 - a) Before servicing or cleaning unit, open the light panel and SWITCH POWER OFF AT SERVICE PANEL.
 - b) Clean fan, baffles/filters and grease laden surfaces frequently. To reduce the risk of fire and to disperse air properly, make sure to vent air outside. DO NOT vent exhaust air into wall spaces, attics, crawl spaces or garages.

NOTE - This warranty is invalid without an authorized agent's receipt or if unit is damaged due to misuse, poor installation, improper use, mistreatment, negligence or any other circumstances beyond the control of KOBE RANGE HOODS authorized agents. Any repair carried out without the supervision of KOBE RANGE HOODS authorized agents will automatically void the warranty.

- KOBE RANGE HOODS will not be held responsible for any damages to personal property or real estate or any bodily injuries whether caused directly or indirectly by the range hood.



WARNING – TO REDUCE THE RISK OF PERSONAL INJURY IN THE EVENT OF A RANGE TOP GREASE FIRE:

- 1) Keep fan, baffle/filter, if any, and grease-laden surfaces clean.
- 2) Always turn hood ON when cooking at high heat.
- 3) Use high settings on cooking range ONLY when necessary. Heat the oil slowly on low to medium setting.
- 4) Do not leave cooking range unattended when cooking.
- 5) Always use cookware and utensils appropriate for the type and amount of food prepared.
- 6) Use this unit only in the manner intended by the manufacturer.
- 7) Before servicing, switch power off at service panel and lock service panel (if possible) to prevent power from switching on accidentally.
- 8) Clean ventilating fans frequently. Grease should not be allowed to accumulate on fan and baffles.

What to Do In The Event Of a Range Top Grease Fire

- SMOTHER FLAMES with a close fitting lid, cookie sheet, or metal tray, and then turn off the burner. KEEP FLAMMABLE OR COMBUSTIBLE MATERIAL AWAY FROM FLAMES. If the flames do not go out immediately, EVACUATE THE AREA AND CALL THE FIRE DEPARTMENT or 911.
- NEVER PICK UP A BURNING PAN – You May Get Burned.
- DO NOT USE WATER, including wet dishcloths or towels – a violent steam blast will result.
- Use an extinguisher ONLY if:
 - a) You have a Class A, B, C extinguisher and know how to operate it.
 - b) The fire is small and contained in the area where it started.
 - c) The fire department has been called.
 - d) You can fight the fire with your back to an exit.

What to Do If You Smell Gas

- Extinguish any open flame.
- Do not try to turn on the lights or any type of appliance.
- Open all doors and windows to disperse the gas. If you still smell gas, call the Gas Company and Fire Department right away.

CAUTION

- 1) For general ventilation use only. Do not use to exhaust hazardous or explosive materials and vapors.
- 2) To reduce the risk of fire, use only metal ductwork.
- 3) Follow the heating equipment manufacturer's guideline and safety standards such as those published by the National Fire Protection Association (NFPA), and the American Society for Heating, Refrigeration and Air Conditioning Engineers (ASHRAE), and code authorities. Activating any switch on may cause ignition or an explosion.

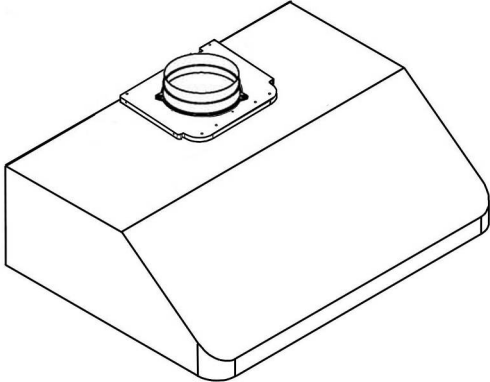

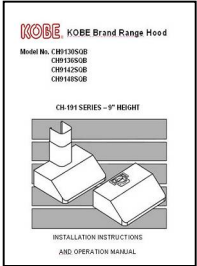
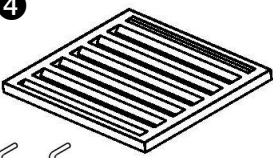
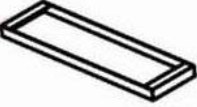
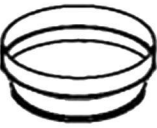
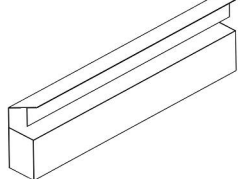
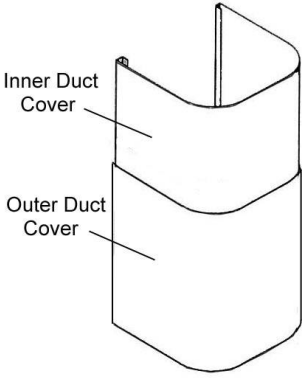



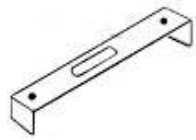
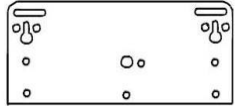
WARNING



ELECTRICAL SHOCK HAZARD – Can result in serious injury or death. Disconnect appliance from electric power before servicing. If equipped, the fluorescent light bulb contains small amounts of mercury, which must be recycled or disposed of according to Local, State, and Federal Codes.

COMPONENTS OF PACKAGE

(Must keep all material for returns or refunds)

| RANGE HOOD BOX | ORIGINAL KIT – Model No. RA1020DC (Sold Separately) |
|---|---|
| <ul style="list-style-type: none"> ❶ KOBE Range Hood - 1 ❷ Warranty Registration Card - 1 ❸ Instructions Manual - 1 ❹ Baffle Filter - 2 (for 30", 36", 42" hood) - 3 (for 48" hood) ❺ Bottom Casing - 1 (for 30" hood) - 3 (for 36" & 42" hood) - 2 (for 48" hood) ❻ 7" Round Adapter – 1 ❼ Oil Tunnel – 1 | <ul style="list-style-type: none"> ❸ KOBE Adjustable Duct Cover - 1 ❹ Screws Package – 1 ❺ Duct Cover-Mounting Bracket – 1 ❻ Hood-Mounting Bracket – 1 |
| <p>❶</p>  <p>❷</p>  <p>❸</p>  <p>❹</p>  <p>❺</p>  <p>❻</p>  <p>❼</p>  | <p>❸</p>  <p>❹</p>  <p>3/16" x 3/8" (6 pcs)</p> <p>❺</p>  <p>4 x 8 mm (10 pcs)</p> <p>❻</p>  <p>Rubber Stand (2 pcs)</p> <p>❼</p>  <p>❺</p>  |

- ◆ OPTIONAL **RECIRCULATING KIT – Model No. RA1020RD** IS AVAILABLE.
- ◆ FOR MORE INFORMATION, PLEASE CONTACT KOBE RANGE HOODS AT (626) 309-1356.

INSTALLATION

PLEASE READ ENTIRE INSTRUCTIONS BEFORE PROCEEDING

Calculation before Installation

Calculate the length of the installation, before installing the hood. (All calculation is measure in inches.)

- FOR UNDER THE CABINET -

| | |
|---|--|
| <p>TABLE 1</p> <p>A = Height of Floor to Ceiling B = Height of Floor to Counter Top (Standard: 36") C = Preferred Height of Counter Top to Hood Bottom (Recommended 27" to 30") D = Height of Hood E = Height of the Cabinet</p> | |
|---|--|

- FOR STAND ALONE (WITH OPTIONAL DUCT COVER) -

| | |
|--|--|
| <p>TABLE 2</p> <p>A = Height of Floor to Ceiling B = Height of Floor to Counter Top (Standard: 36") C = Preferred Height of Counter Top to Hood Bottom (Recommended 27" to 30") D = Height of Hood E = Height of Duct Cover [F – D] F = Height of the Hood Installation [A – (B+C)]</p> | |
|--|--|



SAFETY WARNING

HOOD MAY HAVE VERY SHARP EDGES; PLEASE WEAR PROTECTIVE GLOVES IF IT IS NECESSARY TO REMOVE ANY PARTS FOR INSTALLING, CLEANING OR SERVICING.

NOTE: BE CAREFUL WHEN USING ELECTRICAL SCREWDRIVER, DAMAGE TO THE HOOD MAY OCCUR.

Installation Contents

| | |
|------------------------|---|
| Under the Cabinet..... | 6 |
| Stand Alone | 8 |

UNDER THE CABINET INSTALLATION

Preparation before Installation

NOTE: TO AVOID DAMAGE TO YOUR HOOD, PREVENT DEBRIS FROM ENTERING THE VENT OPENING.

- Decide the location of the venting pipe from the hood to the outside. Refer to Figure 1.
- A straight, short venting run will allow the hood to perform more efficiently.
- Try to avoid as many transitions, elbows, and long run as possible. This may reduce the performance of the hood.
- Temporarily wire the hood to test for proper operation before installing.
- **Important: Peel protective film off the hood (if any).**
- For installing under the cabinet with recessed bottom, attach 4-inch wide wood filler strips (not included) on each side. Refer to Figure 2.
- Measure and create access opening for electrical wires and 6" round plastic exhaust under the cabinet.

Hood Installation

CAUTION: If required to move the cooking range to install the hood, turn off the power on an electric range at the main electrical box. SHUT OFF THE GAS BEFORE MOVING A GAS RANGE.

1. Puncture the knockout holes on the hood as shown in Figure 3.
2. Using references on Table 1 and measurements on page 14 center the hood in place beneath the cabinet and flush with the front of the cabinet.
3. Draw electrical wires through cabinet access opening.
4. From the bottom of the hood, place screw (not provided) into the exact center of each knockout hole. Make sure all screws are in place before tightening screws.
CAUTION: MAKE SURE THE HOOD IS SECURE BEFORE RELEASING.

Figure 1

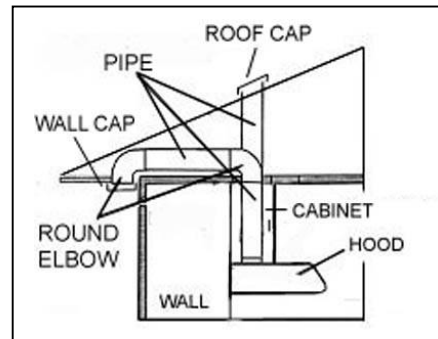


Figure 2

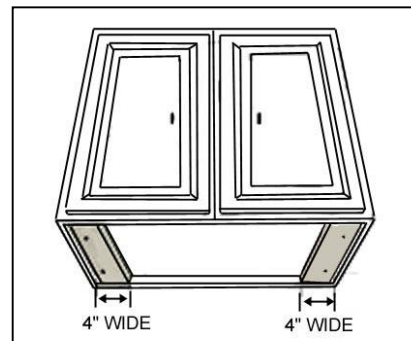
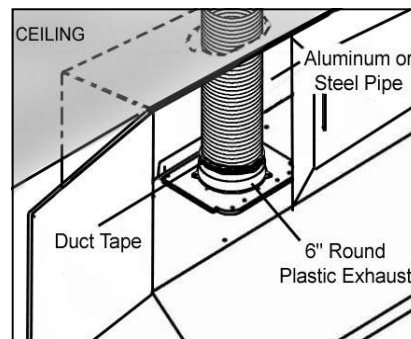


Figure 3



Figure 4



Ductwork Installation

5. Use aluminum or steel pipe to connect the 6" round plastic exhaust on the hood to the ductwork above. Use duct tape to make all joints secure and air tight. Refer to Figure 4.
6. To convert ductwork to 7" round, attached 7" round adapter (provided) to the 6" round plastic exhaust.

Wiring to Power Supply



SAFETY WARNING

RISK OF ELECTRICAL SHOCK. THIS RANGE HOOD MUST BE PROPERLY GROUNDED. MAKE SURE THIS IS DONE BY SPECIALIZED ELECTRICIAN IN ACCORDANCE WITH ALL APPLICABLE NATIONAL AND LOCAL ELECTRICAL CODES. BEFORE CONNECTING WIRES, SWITCH POWER OFF AT SERVICE PANEL AND LOCK SERVICE PANEL TO PREVENT POWER FROM BEING SWITCHED ON ACCIDENTALLY.

7. Connect the electrical wires.
 - Connect three wires (black, white and green) to house wires and cap with wire connectors. Connect according to color: black to black, white to white, and green to green as shown on Figure 5.
 - If necessary to hide the electrical wire connections, push wires back into the wiring box. Access the wire connections underneath the hood. Make sure wires do not slip between motor or any moving parts to prevent any damage.

Accessories

8. Attach oil tunnel. Refer to Figure 6.
9. Refer to Figure 7. ① Slide the baffle filter into the hood. ② Push the baffle filter upward. ③ Slide forward. ④ Pull downward. ⑤ Fit into place.
10. For bottom casing, repeat above steps. Refer to page 15.

Final Assembly

11. Turn power ON in control panel. Check all lights and fan operation.
12. Make sure to leave this manual for the homeowner.

Figure 5

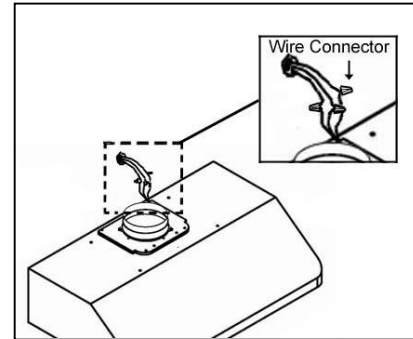


Figure 6

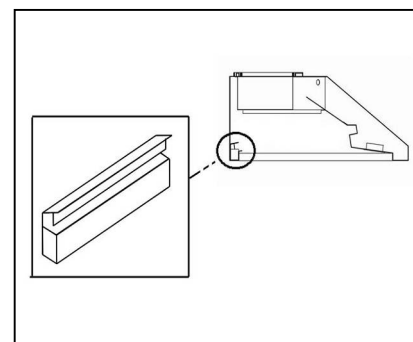
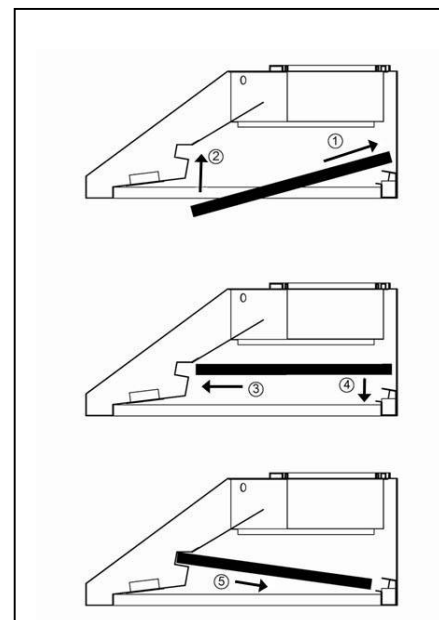


Figure 7



STAND ALONE INSTALLATION

***This installation only applied with the purchase of a duct cover (Model No. RA1020DC).

Preparation before Installation

NOTE: TO AVOID DAMAGE TO YOUR HOOD, PREVENT DEBRIS FROM ENTERING THE VENT OPENING.

- Decide the location of the venting pipe from the hood to the outside. (Figure 1)
- A straight, short venting run will allow the hood to perform more efficiently.
- Try to avoid as many transitions, elbows, and long run as possible. This may reduce the performance of the hood.
- Use duct tape to seal the joints between pipe sections.
- If necessary, prepare back wall frame with cross framing lumber for secure installation.
- Using references on Table 2 and measurements on page 13, decide the level of the lumber. (Figure 2)

Hood Preparation before Installation

- Temporarily wire the hood to test for proper operation before installing.
- **Important: Peel protective film off the hood and the duct cover (if any).**
- If necessary, attach two rubber stands (provided) with two (4 x 8 mm) screws (provided) to the back of the hood.
- Attach the hood-mounting bracket to the back of the hood with six (3/16" x 3/8") screws (provided) as shown in Figure 10.

Hood Installation

CAUTION: If required to move the cooking range to install the hood, turn off the power on an electric range at the main electrical box. **SHUT OFF THE GAS BEFORE MOVING A GAS RANGE.**

1. Using references on Table 2 and measurements on page 14-15, mark the leveling point of the hood. Position two

Figure 8

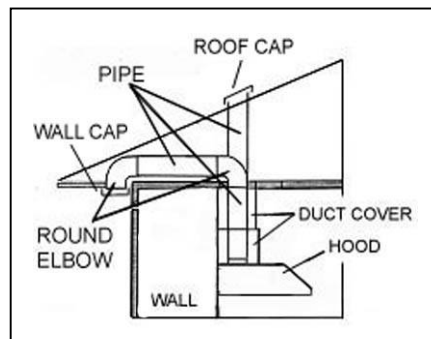


Figure 9

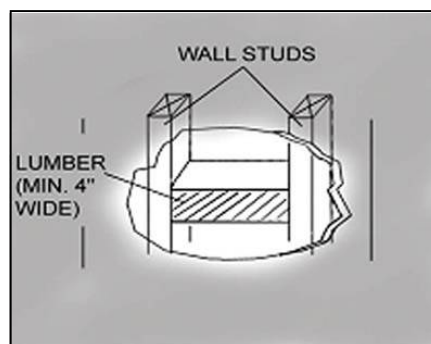


Figure 10

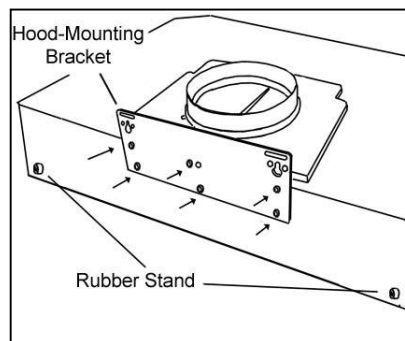
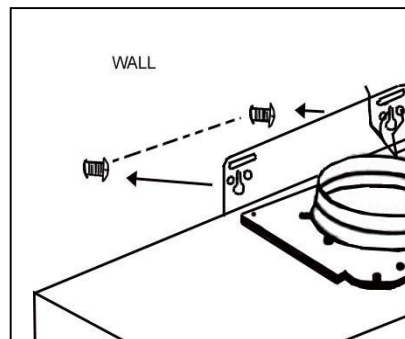


Figure 11



mounting screws (not provided) on the wall, leaving 1/8" away from the wall.

2. Align hood-mounting bracket to the screws on the wall and hook hood into place as shown in Figure 11. Tighten screws to secure hood to the wall.
3. For safety purposes, extra knockout holes on the back of the hood are provided. Knockout the holes. Remove the baffle filters and attach screws to the wall by accessing underneath the hood.
CAUTION: MAKE SURE HOOD IS SECURE BEFORE RELEASING

Wiring to Power Supply



SAFETY WARNING

RISK OF ELECTRICAL SHOCK. THIS RANGE HOOD MUST BE PROPERLY GROUNDED. MAKE SURE THIS IS DONE BY SPECIALIZED ELECTRICIAN IN ACCORDANCE WITH ALL APPLICABLE NATIONAL AND LOCAL ELECTRICAL CODES. BEFORE CONNECTING WIRES, SWITCH POWER OFF AT SERVICE PANEL AND LOCK SERVICE PANEL TO PREVENT POWER FROM BEING SWITCHED ON ACCIDENTALLY.

4. Connect the electrical wires.
 - Connect three wires (black, white and green) to house wires and cap with wire connectors. Connect according to color: black to black, white to white, and green to green as shown on Figure 12.
 - If necessary to hide the electrical wire connections, push wires back into the wiring box. Access the wire connections underneath the hood. Make sure wires do not slip between motor or any moving parts to prevent any damage.

Duct Cover Installation

5. Mark the position of the duct cover-mounting bracket. Use reference **E** from Table 2 and measurements on page 14-15. Attach and secure duct cover-mounting bracket with two screws (not provided). Refer to Figure 13. NOTE: Inner duct cover will cover the duct cover-mounting bracket.
6. Use aluminum or steel pipe to connect the plastic exhaust on the hood to the ductwork above. Use duct tape to make

Figure 12

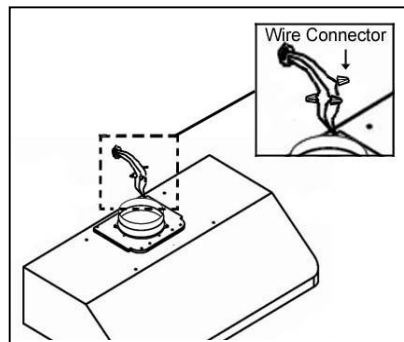


Figure 13

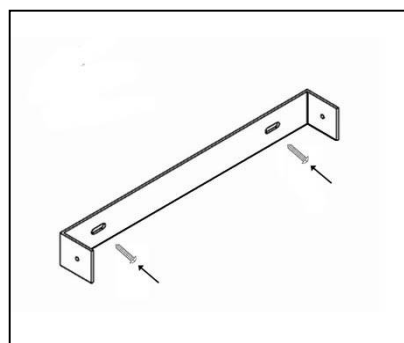


Figure 14

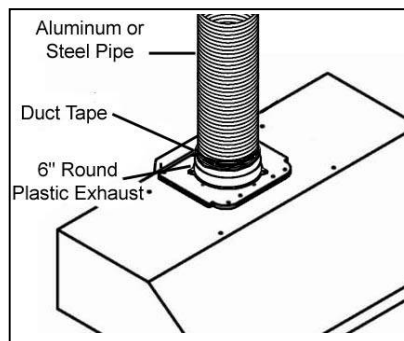
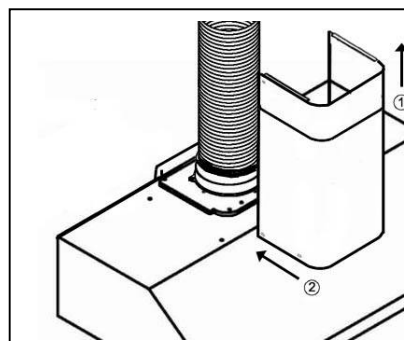


Figure 15



all joints secure and air tight as shown on Figure 14.

7. To convert ductwork to 7" round, attached 7" round adapter (provided) to the 6" round plastic exhaust.
8. Slide the inner duct cover up 2 inches before sliding the entire duct cover onto the hood. Refer to Figure 15.
9. Adjust the height of the inner duct cover to the duct cover-mounting bracket. Secure the inner duct cover with two (4x8 mm) screws (provided).
10. Fasten outer duct cover to plastic plate on the hood with four (4x8 mm) screws (provided) as shown in Figure 16.

Accessories

11. Attach oil tunnel. Refer to Figure 17.
12. Refer to Figure 18. ① Slide the baffle filter into the hood. ② Push the baffle filter upward. ③ Slide forward. ④ Pull downward. ⑤ Fit into place.
13. For bottom casing, repeat above steps. Refer to page 15.

Final Assembly

14. Turn power ON in control panel. Check all lights and fan operation.
15. Make sure to leave this manual for the homeowner.

Figure 16

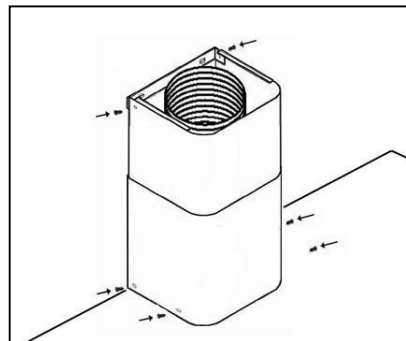


Figure 17

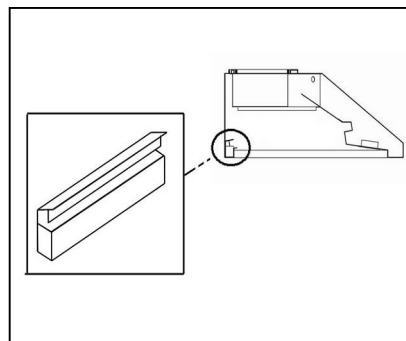
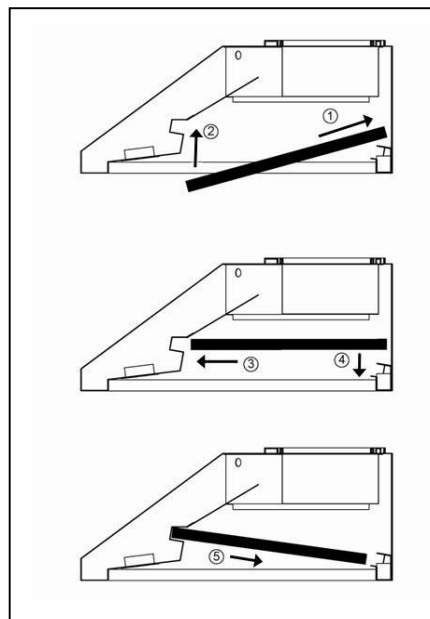


Figure 18

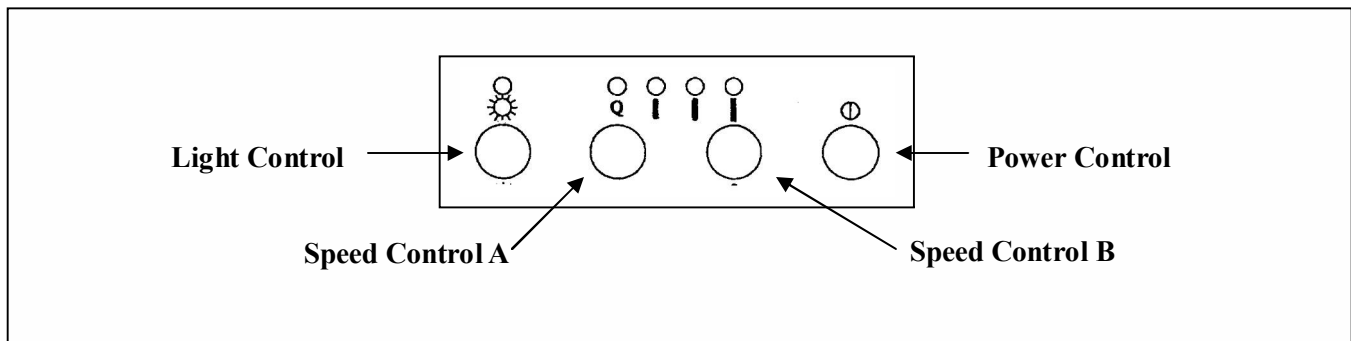


OPERATION INSTRUCTIONS

This KOBE hood is equipped with four electronic controls with a 10-second standby startup & 30-second delay shutoff, two powerful centrifugal turbine impellers with baffle filters, and two bright 12-volt 20-watt halogen lights.

The four electronic controls are Light Control, Speed Control A, Speed Control B and the Power Control (On/Off). Refer to Figure 19.

Figure 19



TURN ON:

- **Press Power Control (On/Off) button once.**
(Note: If any control button is not pressed within 10 seconds, power will be automatically turned off).
- **The KOBE hood will start on Low speed. Each press of the Speed Control button will cycle through the various speeds.**
- **Press Speed Control A button to cycle from Low, Medium, High, or QuietMode™. Press Speed Control B button to cycle from Low, QuietMode™, High or Medium.**
(Note: Speed Control A or B will operate both fans. These two speed buttons vary the speed quicker.)
- **Press Light Control button to turn halogen light on.**

TURN OFF:

- **Press Power Control (On/Off) button once, panel lights will flash and power will be completely shut off after 30 seconds.**
OR
- **Press Power Control (On/Off) button twice, all power will be shut off immediately.**
- **If only the lights are on, pressing Power Control (On/Off) button once will turn power off after 30 seconds.**

MAINTENANCE

For the optimal level of operation, clean the range hood surface and baffles regularly.

To Clean Hood Surface

CAUTION: NEVER USE ABRASIVE CLEANERS, PADS, OR CLOTHS.

*** Regular care will help preserve its fine appearance.

1. Use only mild soap or detergent solutions. Dry surfaces using soft cloth.
2. If hood looks splotchy (stainless steel hood), use an orange base cleaner to clean the surface of the hood. Avoid cleaner to get on the control switches. Only spread a light coating over the surface of the hood and leave on for a few minutes (do not leave on too long or this may cause damage to hood finish). Use soft towel to wipe off the cleaning solution, gently rubs any stubborn spots. Use a slightly damp towel to get rid of any cleaning solution. Use dry soft towel to dry the hood.
3. To bring the glow back into a stainless steel finish, use a stainless steel cleaner.
4. DO NOT allow deposits to remain for long periods of time.
5. DO NOT use ordinary steel wool or steel brushes. Small bits of steel may adhere to the surface causing rust.
6. DO NOT allow salt solutions, disinfectants, bleaches, or cleaning compounds to remain in contact with stainless steel for extended periods. Many of these compounds contain chemicals, which may be harmful. Rinse with water after exposure and wipe dry with a clean cloth.

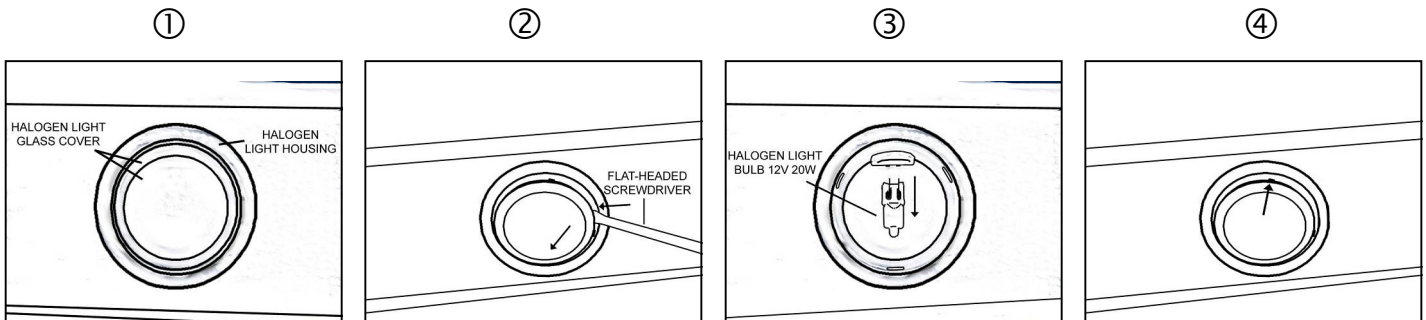
To Clean Baffle Filter/Oil Tunnel

CAUTION: DRAIN OIL FROM BAFFLE FILTER & OIL TUNNEL BEFORE OIL WILL OVERFLOW.

1. Remove all the baffle filters and oil tunnel.
2. Using a sponge, wash with warm soapy water. Dry completely before returning into place.
(Note: Baffle Filters are top rack dishwasher safe.)

To Replace Light Bulb

CAUTION: HALOGEN LIGHT UNIT MAY BE HOT! WAIT UNTIL UNIT IS COOL.



1. Make sure all controls are off, and range hood is unplugged.
2. Place the flat-headed screwdriver into the groove of the halogen light glass covering and the housing.
3. Pop out the halogen light glass covering.
4. Gently pull out the defective light bulb and discard. Light bulbs should be 12V 20W maximum.
5. Using a cloth, hold the new light bulb and push securely into light socket.
6. Return halogen light glass cover to the housing.
7. Turn range hood ON to test for operation.

SPECIFICATIONS

| | | | | |
|---|---|-------------------|---------------------|-------------|
| MODEL / SIZE | CH9130SQB / 30" CH9136SQB / 36" CH9142SQB / 42" CH9148SQB / 48" | | | |
| COLOR | # 304 Commercial Grade Stainless Steel | | | |
| CONSUMPTION / AMPERE | CH9130SQB – 232W / 2.21A CH9136SQB – 232W / 2.21A CH9142SQB – 253W / 2.38A CH9148SQB – 258W / 2.41A | | | |
| VOLTAGE | 120V 60Hz | | | |
| NUMBER OF MOTORS | 2 | | | |
| DESIGN | 18-Gauge Seamless / Satin Finish | | | |
| FAN TYPE | Twin Turbine Impeller | | | |
| EXHAUST | Top 6" Round Top 7" Round Adapter | | | |
| CONTROLS | Electronic Control (4 Buttons) – 10-Second Standby Startup 30-Second Delay Shutoff | | | |
| HALOGEN LIGHTS | CH9130SQB - 12V 20W x 2 CH9136SQB - 12V 20W x 2 CH9142SQB - 12V 20W x 3 CH9148SQB - 12V 20W x 3 | | | |
| HOOD DIMENSION (W x D x H) | (CH9130SQB) 29-3/4" x 22" x 9-1/8" (CH9136SQB) 35-3/4" x 22" x 9-1/8" (CH9142SQB) 41-3/4" x 22" x 9-1/8" (CH9148SQB) 47-3/4" x 22" x 9-1/8" | | | |
| OPTIONAL ACCESSORIES (W x D x H) | 1) Original Kit - Model No. RA1020DC Adjustable Duct Cover 10-5/8" x 9-1/8" x (20-5/8" ~ 39-5/8") 2) Recirculating Kit - Model No. RA1020RD Adjustable Recirculating Duct Cover 10-5/8" x 9-1/8" x (21" ~ 36") 3) Model No. SSP30 30" Stainless Steel Back Panel 30" x 1/10" x 32" 4) Model No. SSP36 36" Stainless Steel Back Panel 36" x 1/10" x 32" | | | |
| WEIGHT (lbs) | | <u>Net</u> | <u>Gross</u> | |
| | (CH9130SQB) | 53.0 | 68.0 | |
| | (CH9136SQB) | 59.0 | 77.0 | |
| | (CH9142SQB) | 68.0 | 88.0 | |
| | (CH9148SQB) | 77.0 | 101.0 | |
| SPEED | QuietMode™ | Low | Medium | High |
| Air Capacity (cfm)* | 280 | 450 | 580 | 800 |
| Sone | 1.2* | 2.0 | 2.8 | 4.5 |

*In House Test Static Pressure "0". One sone is equivalent to the sound of a refrigerator at 40 decibels.

**Specifications information is subject to change without notice.

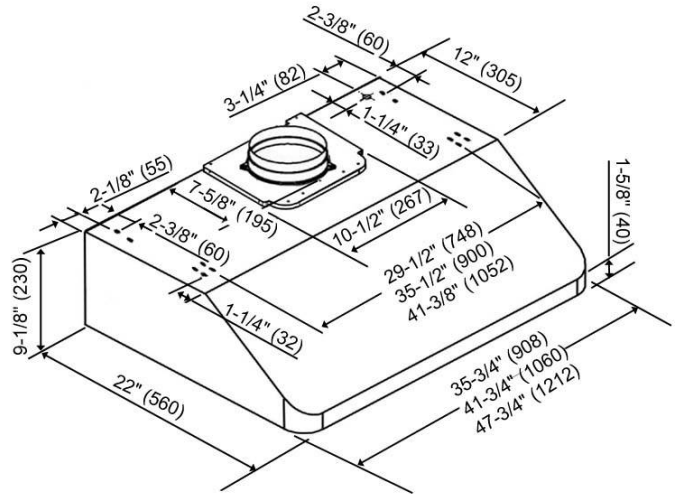
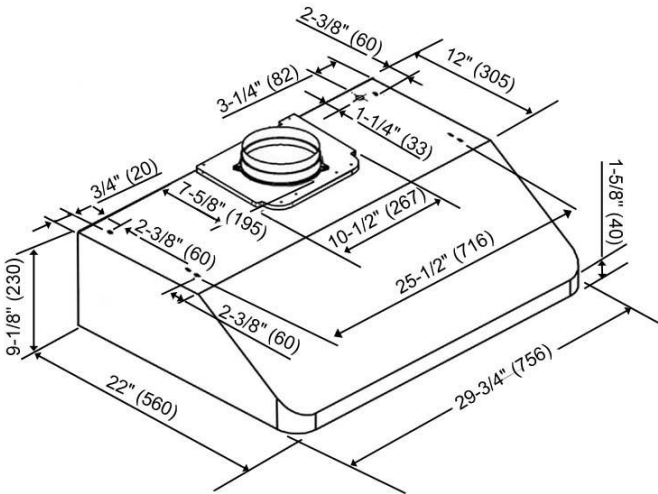
MEASUREMENTS & DIAGRAMS

- ◆ All measurements in () are millimeters.
- ◆ All inch measurements are converted from millimeters. Inch measurements are estimated.

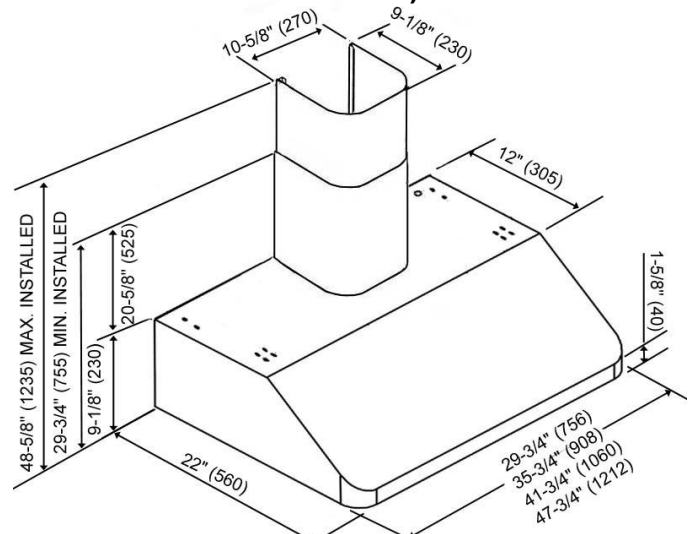
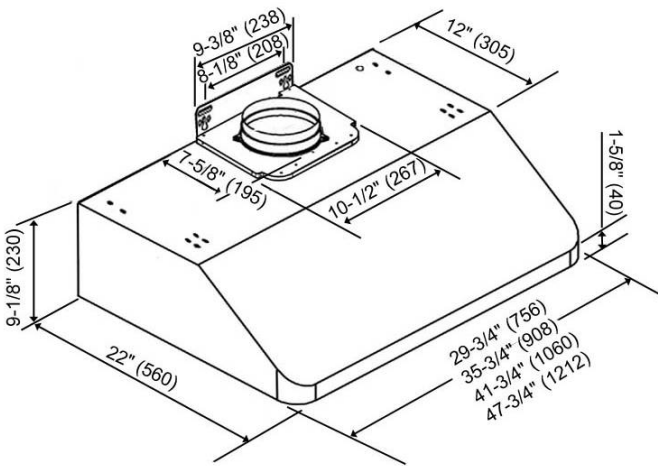
- FOR UNDER THE CABINET -

MODEL NO.: CH9130SQB

MODEL NO.: CH9136SQB
CH9142SQB
CH9148SQB

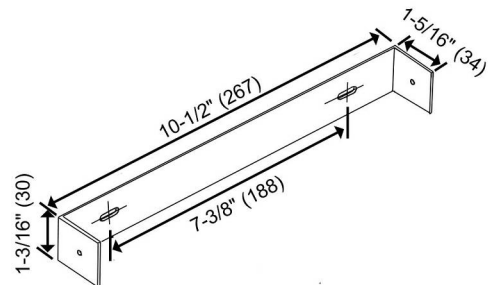
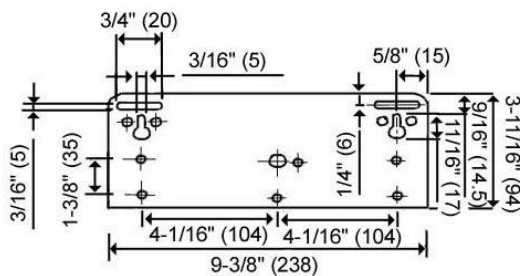


- FOR STAND ALONE (WITH OPTIONAL DUCT COVER) -



***Hood-Mounting Bracket

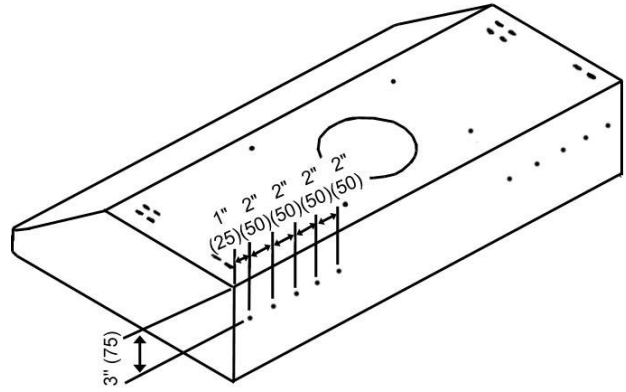
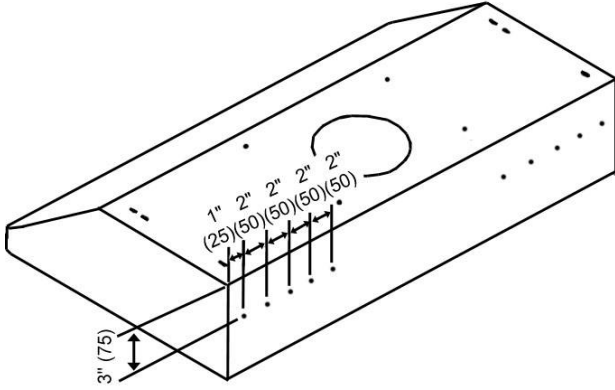
***Duct Cover-Mounting Bracket



***Rear Knockout Holes

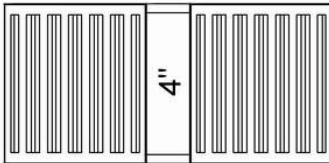
MODEL NO.: CH9130SQB

MODEL NO.: CH9136SQB
CH9142SQB
CH9148SQB

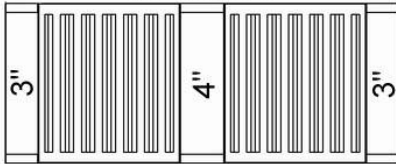


BAFFLE FILTERS & BOTTOM CASINGS

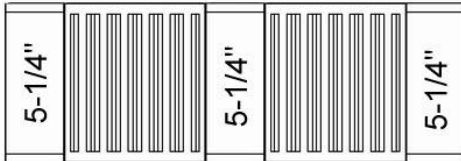
30" HOOD



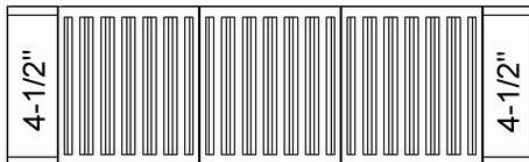
36" HOOD



42" HOOD



48" HOOD



PARTS LIST

MODEL NO.: CH9130SQB
 CH9136SQB
 CH9142SQB
 CH9148SQB

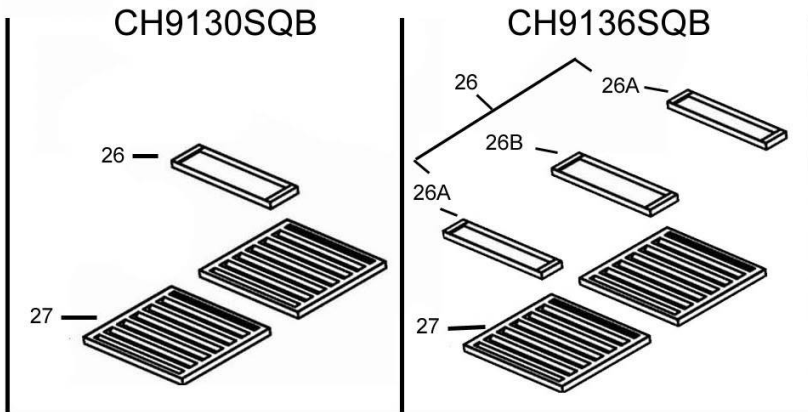
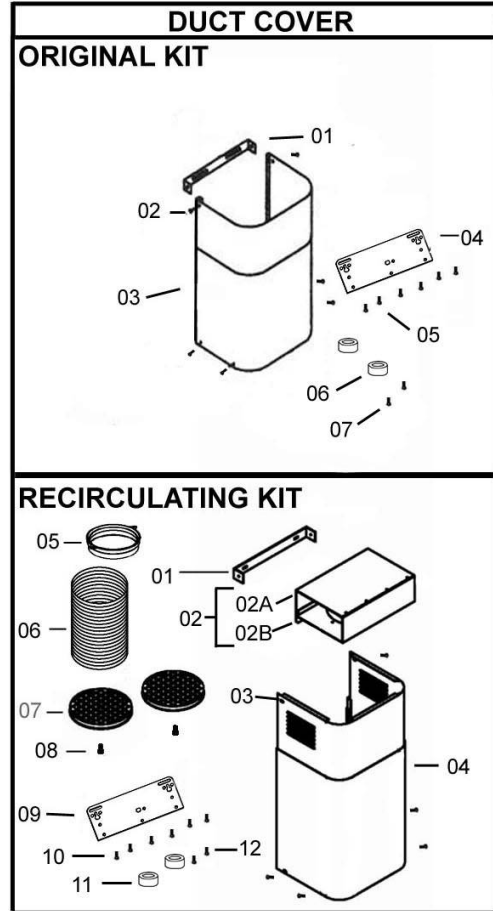
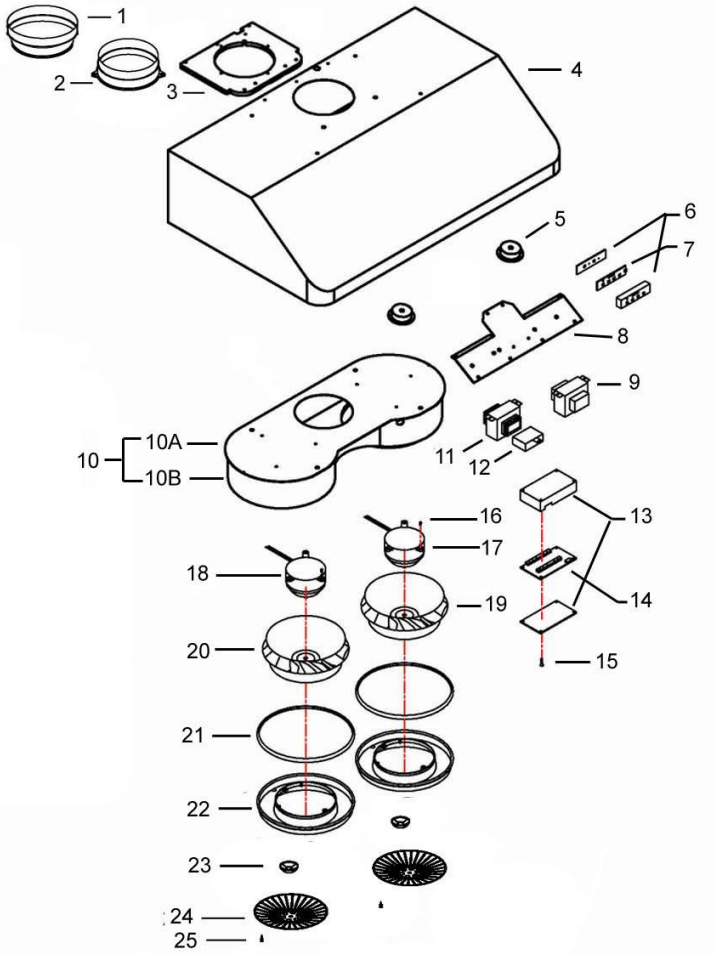
| NO. | DESCRIPTION | MODEL /SIZE | PART NO. | | |
|-----------|-----------------------------------|--------------|------------------------|--------------|-----------------|
| 1 | 7" Round Adapter | | C1-0505-0004 | | |
| 2 | 6" Round Plastic Exhaust | | C1-0505-0001 | | |
| 3 | Plastic Plate | | C1-0507-0201 | | |
| 4 | Hood Casing | CH9130SQB | 10-1930A | | |
| | | CH9136SQB | 10-1936A | | |
| | | CH9142SQB | 10-1942A | | |
| | | CH9148SQB | 10-1948A | | |
| 5 | Halogen Light Unit (12V 20W Max.) | | C1-0403-0101 | | |
| 6 | Control Unit | | C1-0501-0101 | | |
| 7 | Control Board | | C1-0404-0401-A | | |
| 8 | Transformer Support | | C1-0201-1930 | | |
| 9 | Transformer (Motor) | | C1-0402-A120-01 | | |
| 10 | A Air Chamber (Top) | CH9130SQB | C1-0101-0880 | | |
| | | CH9136SQB | C1-0101-0880 | | |
| | | CH9142SQB | C1-0101-1542 | | |
| | | CH9148SQB | C1-0101-1542 | | |
| | B Air Chamber (Side) | CH9130SQB | C1-0102-1930 | | |
| | | CH9136SQB | C1-0102-1930 | | |
| | | CH9142SQB | C1-0102-1942 | | |
| | | CH9148SQB | C1-0102-1942 | | |
| | | 11 | Transformer (Light) | CH9130SQB | C1-0402-0120-40 |
| | | | | CH9136SQB | |
| CH9142SQB | C1-0402-0120-60 | | | | |
| CH9148SQB | | | | | |
| 12 | Capacitor | | C1-0401-0120-01A | | |
| 13 | Processor Board Box | | C1-0501-0102 | | |
| 14 | Processor Board | | C1-0404-0401-B | | |
| 15 | Screw (1/8" x 3/8") | | C1-0708-0003 | | |
| 16 | Screw (TS 1/4 x 7/16) | | C1-0703-0001 | | |
| 17 | Motor (Right) | | C1-0301-0120-17A | | |
| 18 | Motor (Left) | | C1-0301-0120-18A | | |
| 19 | Turbine Impeller (Right) | | C1-0251-0880-01 | | |
| 20 | Turbine Impeller (Left) | | C1-0251-0880-02 | | |
| 21 | Oil Tunnel Seal | | C1-0502-0301 | | |
| 22 | Oil Tunnel | | C1-0502-0203 | | |
| 23 | Impeller Plastic Cover | | C1-0251-0001 | | |
| 24 | Safety Screen | | C1-0602-0103 | | |
| 25 | Safety Screen Screw | | C1-0705-0001 | | |
| 26 | A Bottom Casing | 4" Wide | CH9130SQB B101-1930-09 | | |
| | | 3" Wide | CH9136SQB B101-1936-09 | | |
| | | 5-1/4" Wide | CH9142SQB B101-1942-09 | | |
| | | 4-1/2" Wide | CH9148SQB B101-1948-09 | | |
| | | B 4" Wide | CH9136SQB | B101-1930-09 | |
| | | | | | |
| 27 | Baffle Filter | | B101-1930-15 | | |

(Optional Duct Cover)

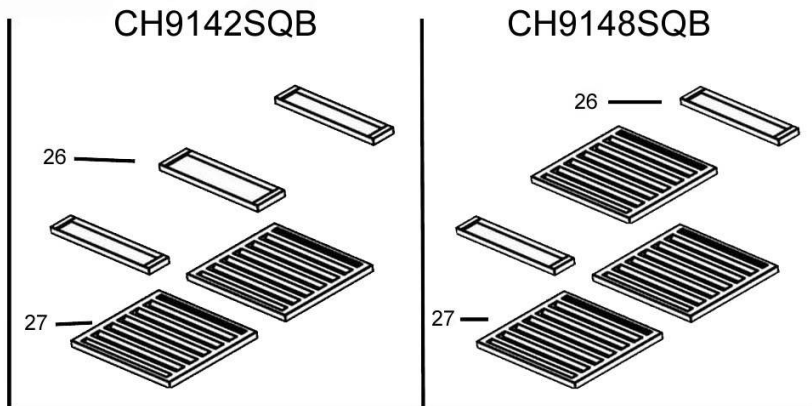
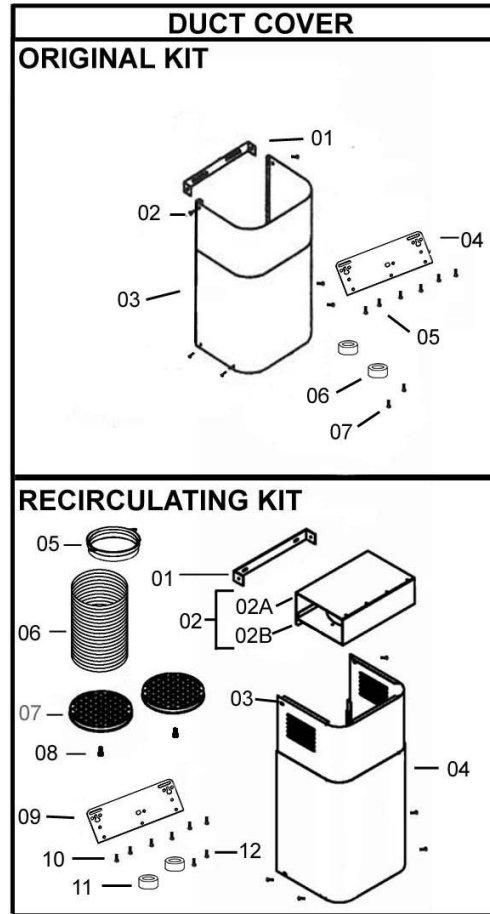
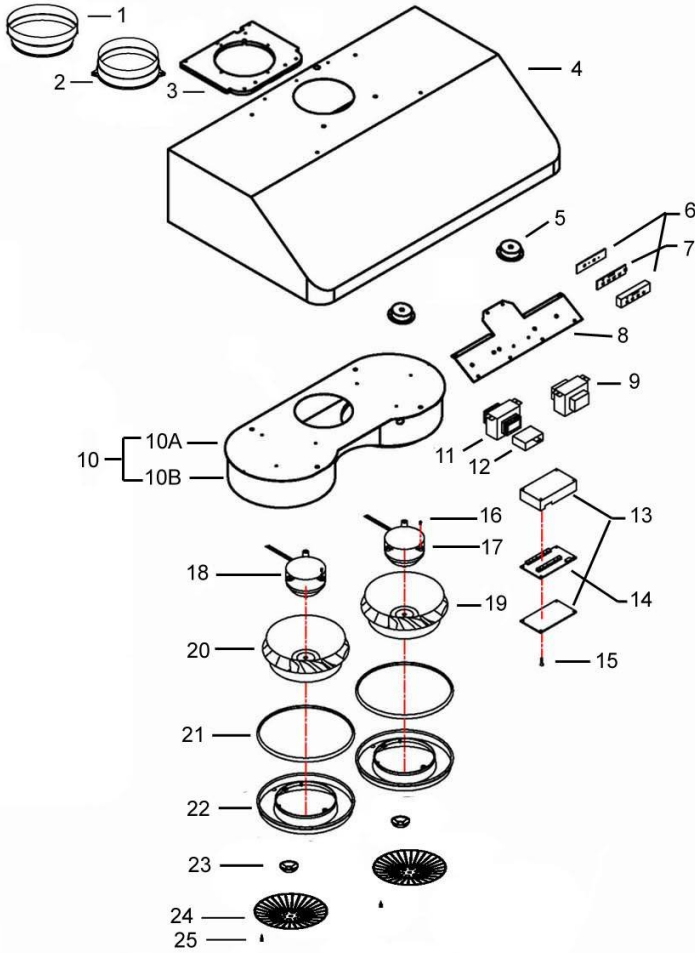
| ORIGINAL KIT | | | |
|---------------------|-----------------------------|--------------------|-----------------|
| NO. | DESCRIPTION | MODEL /SIZE | PART NO. |
| 01 | Duct Cover-Mounting Bracket | | C1-0203-0002 |
| 02 | Screw (TS 4 x 8 mm) | | C1-0708-0006 |
| 03 | Duct Cover | RA1020DC | 12-02000-430-51 |
| 04 | Hood-Mounting Bracket | | C1-0221-0330 |
| 05 | Screw (3/16" x 3/8") | | C1-0707-0001 |
| 06 | Rubber Stand | | C1-0511-0201 |
| 07 | Screw (TS 4 x 8 mm) | | C1-0708-0006 |

| RECIRCULATING KIT | | | |
|--------------------------|-----------------------------|--------------------|------------------|
| NO. | DESCRIPTION | MODEL /SIZE | PART NO. |
| 01 | Duct Cover-Mounting Bracket | | C1-0203-0002 |
| 02 | T-Head Box | | |
| A | Box | | C1-0241-1930-FA |
| B | Box Bracket | | C1-0241-1930-FB |
| 03 | Screw (TS 4 x 8 mm) | | C1-0708-0006 |
| 04 | Recirculating Duct Cover | RA1020RD | 12-02000-430-51F |
| 05 | 6" Round Plastic Exhaust | | C1-0505-0001 |
| 06 | Aluminum Pipe | | C1-0601-0004 |
| 07 | Charcoal Filter | | C1-0603-0302 |
| 08 | Screw (3/16" x 1") | | C1-0707-0003 |
| 09 | Hood-Mounting Bracket | | C1-0203-0330 |
| 10 | Screw (3/16" x 3/8") | | C1-0707-0001 |
| 11 | Rubber Stand | | C1-0511-0201 |
| 12 | Screw (TS 4 x 8 mm) | | C1-0708-0006 |

MODEL NO.: CH9130SQB
 CH9136SQB

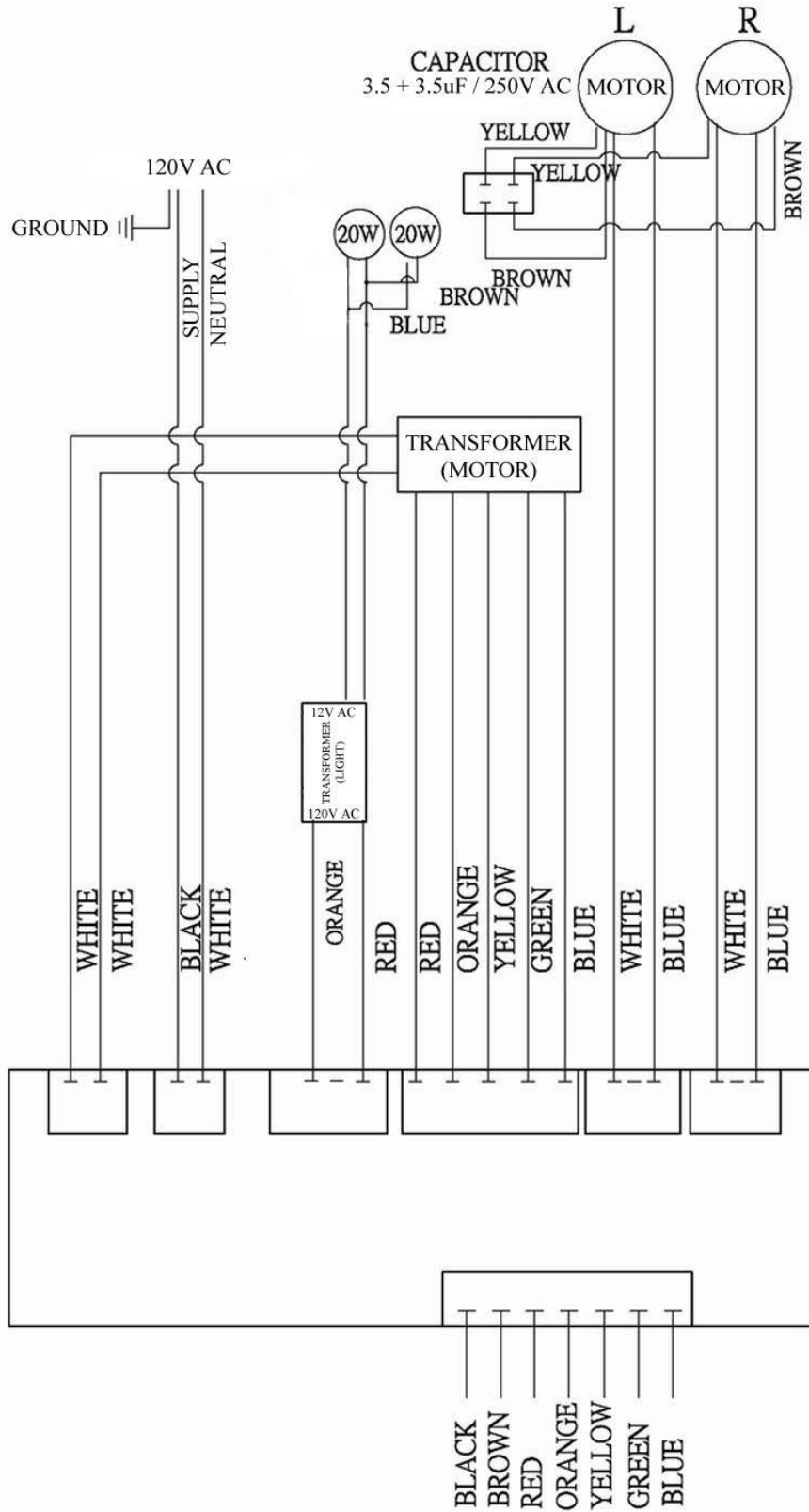


MODEL NO.: CH9142SQB
CH9148SQB

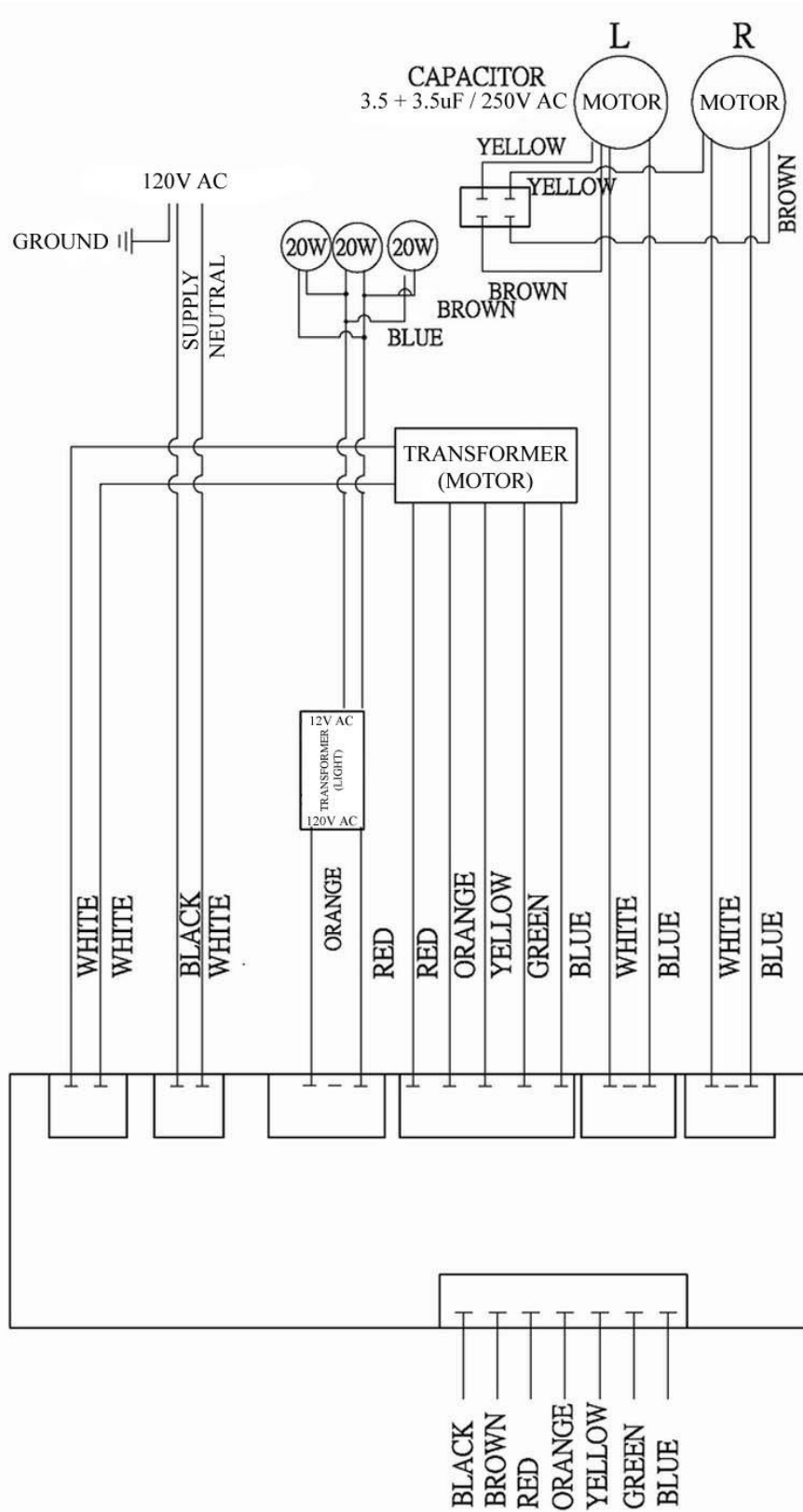


CIRCUIT DIAGRAM

MODEL NO.: CH9130SQB
CH9136SQB



**MODEL NO.: CH9142SQB
CH9148SQB**



DISCLAIMER

1. **CAREFULLY INSPECT ALL ITEMS FOR DAMAGES BEFORE ACCEPTING DELIVERY. NOTE ANY DAMAGES ON THE FREIGHT BILL OR EXPRESS RECEIPT. REQUEST NAME AND SIGNATURE OF THE CARRIER'S AGENT AND KEEP COPY TO SUPPORT YOUR CLAIM.**

Upon acceptance of items, owner assumes responsibility for its safe arrival. Report damages to the carrier and file a claim immediately. Failure to do so may result in the denial of your claim. The carrier will furnish you with necessary forms for filing a claim.

DAMAGES CAUSED DURING TRANSIT ARE NOT COVERED UNDER OUR WARRANTY.

2. **PLEASE INSPECT CONTENTS OF PACKAGE (S) CAREFULLY UPON RECEIPT!**

We must be notified in writing of any damages and/or missing parts within the allocated days upon your receipt of package(s). Contact your local KOBE dealer or distributor or call KOBE for the time limit.

CLAIMS WILL NOT BE ACCEPTED AFTER THE ALLOCATED DAYS.

NOTE: ITEMS WERE THOROUGHLY TESTED AND CAREFULLY PACKED IN OUR FACTORY BEFORE SHIPPING.

3. Products must be returned in good working condition with ALL original parts and documentation packed in ALL original cartons, fillers and shipping cartons. A restocking fee of 25% will be charged for all approved items.

EXCHANGES OR RETURNS MAY NOT BE ACCEPTED IF ANY PACKAGING IS MISSING.

4. **MAKE SURE TO INSPECT THE HOOD FOR DAMAGES AND DEFECTS BEFORE INSTALLATION.** Appearance flaws of the hood found after installation and not affecting hood performance is not covered under our warranty for returns or exchanges. Service visits not covered under warranty will carry a service charge.

A) Before Installation: Return for exchange or refund (please see above for acceptable returns).

B) After Installation: **NO** exchange or refund.

WARRANTY

WARRANTY CERTIFICATE

KOBE Range Hoods, Inc. warrants all products manufactured or supplied by it to be free from defects in workmanship and materials. Its obligations pursuant to this warranty are limited to a period of two years from the date of purchase and to the repair or replacement at its option and subject to the terms and conditions stated below, of any component part, which its examination shall disclose to be so defective.

TWO-YEAR WARRANTY SERVICE PERIOD

Any covered failure occurring within two years of original purchase arising from defective workmanship or material in manufacture will be repaired (or at our option the unit will be replaced) free of charge by an authorized KOBE Range Hoods Agent or KOBE Range Hoods as applicable. Keep proof of purchase (or original invoice) handy for inspection.

If the range hood is sold by the original purchaser during the warranty period the new owner is protected until expiration of the original purchaser's warranty.

CONDITIONS

The following conditions apply only in relation to the warranty expressly given in this certificate.

- 1) This warranty applies only:
 - a) within U.S.A. and Canada.
 - b) to range hoods used for PRIVATE SINGLE FAMILY USE (if used for COMMERCIAL or MULTIPLE FAMILY USE or other purposes, warranty will be voided).
- 2) Repair of any fault to be provided under this warranty shall not be provided:
 - a) if the identification number attached to the range hood has been altered, rendered illegible or removed;
 - b) if notice of the defect has not been given within the period applicable;
 - c) for failure of light bulbs;
 - d) for physical damage;
 - e) for surfaces damaged by use of improper chemical cleaning agents;
 - f) if the appliance has been:
 - i) subject to misuse, abuse, negligence, accident, incorrect installation or failure to follow the operating instructions;
 - ii) connected to improper, inadequate or faulty electricity service or exhaust ducts or flues or operated using incorrect or contaminated lubricants;
 - iii) installed, maintained or operated otherwise than in accordance with the instructions furnished by KOBE Range Hoods including the improper use of detergents, bleaches, or cleaners.
 - g) for damage to range hood during transit, delivery, installation or removal;
 - h) for damage by or resulting from attempted repairs conducted by anyone other than our Authorized Service Agent.
- 3) The purchaser shall be responsible for any expenses involved in making the range hood readily accessible for servicing and where the range hood is installed outside the main sales territory of the retailer or service territory of the nearest approved KOBE Range Hoods Agent as applicable, for any

traveling expenses and any costs of transporting the range hood or parts thereof to and from the dealer or Service Agent

- 4) The purchaser must produce proof of purchase together with this warranty certificate when making the claim.
- 5) Damages caused during shipment are not covered under our warranty.

CONSEQUENTIAL DAMAGE

The warrantor is not responsible for any consequential damage. SOME STATES DO NOT ALLOW THE EXCLUSION OF CONSEQUENTIAL DAMAGE SO THE ABOVE EXCLUSION MAY NOT APPLY TO YOU.

IMPLIED WARRANTIES/STATE LAW

Any implied warranties, including the implied warranty of merchantability and fitness for purpose, imposed on the sale by the laws of the state of sale are limited to two year from the date of original purchase. Some states do not allow limitations on the duration of implied warranties. This warranty gives you specific legal rights, and may also have rights, which vary from state to state.

SERVICE

For service contact:

KOBE Range Hoods, Inc.
4934 Walnut Grove Avenue
Suite 202
San Gabriel, CA 91776
U.S.A
Tel: (626) 309-1356 Fax: (626) 309-1366
Email: customerservice@koberangehoods.com
www.KobeRangeHoods.com

PRODUCT REGISTRATION

Register Your Product!

Any covered failure occurring within two years of original purchase arising from defective workmanship or material in manufacture will be repaired or at our option the unit will be replaced free of charge by an authorized KOBE Range Hoods Agent or KOBE Range Hoods as applicable. Keep proof of purchase (original invoice) handy for inspection.

If the range hood is sold by the original purchaser during the warranty period the new owner is protected until expiration of the original purchaser's warranty. See warranty section for complete warranty coverage information.

This appliance has been manufactured, tested, and inspected to the standards required by KOBE Range Hoods.

PLEASE MAIL IN YOUR WARRANTY REGISTRATION CARD AND PROOF OF PURCHASE TO:

KOBE Range Hoods, Inc.
4934 Walnut Grove Avenue
Suite 202
San Gabriel, CA 91776

RECORD THE FOLLOWING INFORMATION FOR YOUR RECORD:

Model No. _____

Serial No. _____

Purchased Date ____/____/____

Purchased From:

IMPORTANT: PLEASE KEEP A COPY OF YOUR SALE RECEIPT OR INVOICE HANDY WHEN REQUESTING FOR SERVICE.

Free Manuals Download Website

<http://myh66.com>

<http://usermanuals.us>

<http://www.somanuals.com>

<http://www.4manuals.cc>

<http://www.manual-lib.com>

<http://www.404manual.com>

<http://www.luxmanual.com>

<http://aubethermostatmanual.com>

Golf course search by state

<http://golfingnear.com>

Email search by domain

<http://emailbydomain.com>

Auto manuals search

<http://auto.somanuals.com>

TV manuals search

<http://tv.somanuals.com>