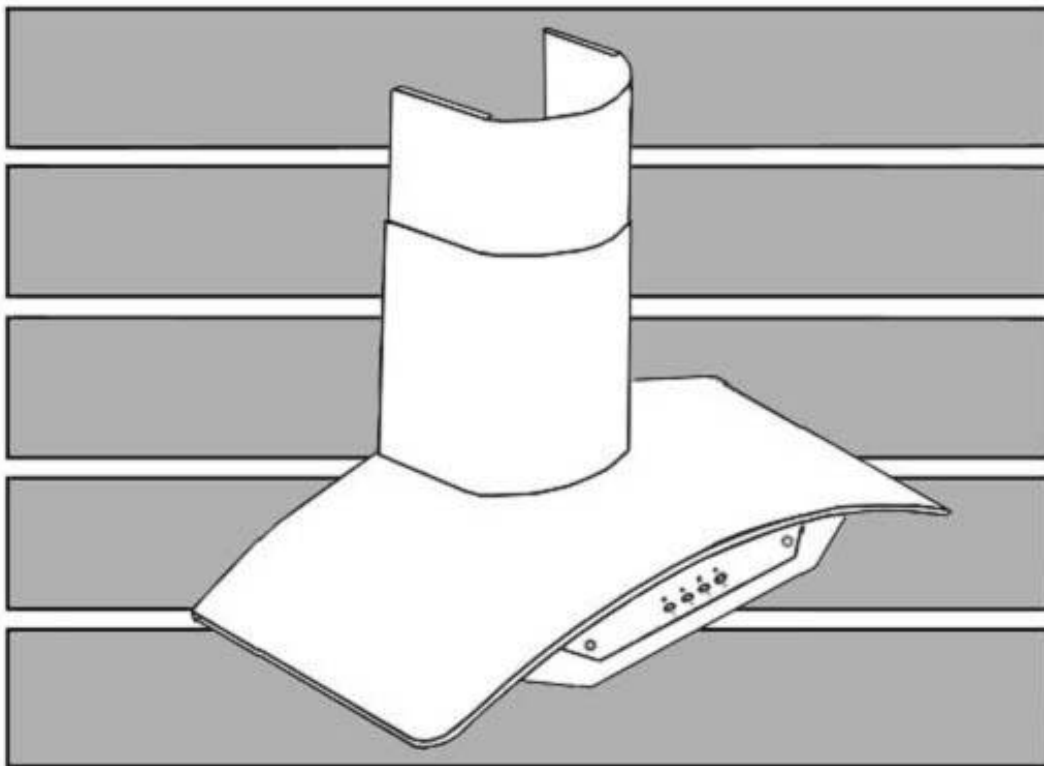


KOBE® **KOBE Brand Range Hood**

Model No. CX1836GS

CX-183 SERIES – 4” HEIGHT



INSTALLATION INSTRUCTIONS

AND OPERATION MANUAL

- READ AND SAVE THESE INSTRUCTIONS -

CONTENTS

Important Safety Instructions.....	1
Components of Package.....	3
Installation.....	4
Operating Instruction.....	8
Maintenance.....	9
Specifications.....	11
Measurements & Diagrams.....	12
Parts List.....	13
Circuit Diagram.....	15
Disclaimer.....	16
Warranty.....	17
Product Registration.....	19

- READ ALL INSTRUCTIONS CAREFULLY BEFORE STARTING -

ALL WIRING MUST BE DONE BY A PROFESSIONAL AND IN ACCORDANCE WITH NATIONAL AND LOCAL ELECTRICAL CODES.



IMPORTANT SAFETY INSTRUCTIONS

- PLEASE READ THIS SECTION CAREFULLY BEFORE INSTALLATION -

WARNING – TO REDUCE THE RISK OF FIRE, ELECTRIC SHOCK OR PERSONAL INJURY, OBSERVE THE FOLLOWING:

- 1) Installation and electrical wiring must be done by qualified professionals and in accordance with all applicable codes and standards, including fire-rated construction.
- 2) When cutting or drilling into wall or ceiling, be careful not to damage electrical wiring or other hidden utilities.
- 3) Ducted hood must be vented to the outside.
 - a) Before servicing or cleaning unit, SWITCH POWER OFF AT SERVICE PANEL.
 - b) Clean fan, filter, if any, and grease laden surfaces frequently. To reduce the risk of fire and properly disperse air, make sure to vent air outside. DO NOT vent exhaust air into wall spaces, attics, crawl spaces or garages.

NOTE - This warranty is invalid without an authorized agent's receipt or if unit is damaged due to misuse, poor installation, improper use, mistreatment, negligence or any other circumstances beyond the control of KOBE RANGE HOODS authorized agents. Any repair carried out without the supervision of KOBE RANGE HOODS authorized agents will automatically void the warranty.

- KOBE RANGE HOODS will not be held responsible for any damages to personal property or real estate or any bodily injuries whether caused directly or indirectly by the range hood.

WARNING – TO REDUCE THE RISK OF PERSONAL INJURY IN THE EVENT OF A RANGE TOP GREASE FIRE:

- Keep fan, filter, if any, and grease-laden surfaces clean.
- Always turn hood ON when cooking at high heat.
- Use high settings on cooking range ONLY when necessary. Heat the oil slowly on low to medium setting.
- Do not leave cooking range unattended when cooking.
- Always use cookware and utensils appropriate for the type and amount of food prepared.
- Use this unit only in the manner intended by the manufacturer.
- Before servicing, switch power off at service panel and lock service panel (if possible) to prevent power from switching on accidentally.
- Clean ventilating fans frequently. Grease should not be allowed to accumulate on fan or filter.

What to Do In The Event Of a Range Top Grease Fire

- SMOTHER FLAMES with a close fitting lid, cookie sheet, or metal tray, and then turn off the burner. KEEP FLAMMABLE OR COMBUSTIBLE MATERIAL AWAY FROM FLAMES. If the flames do not go out immediately, EVACUATE THE AREA AND CALL THE FIRE DEPARTMENT or 911.
- NEVER PICK UP A BURNING PAN – You may get burned.
- DO NOT USE WATER, including wet dishcloths or towels – a violent steam blast will result.
- Use an extinguisher ONLY if:
 - a) You have a Class A, B, C extinguisher and know how to operate it.
 - b) The fire is small and contained in the area where it started.
 - c) The fire department has been called.
 - d) You can fight the fire with your back to an exit.

What to Do If You Smell Gas

- Extinguish any open flame.
- Do not try to turn on the lights or any type of appliance.
- Open all doors and windows to disperse the gas. If you still smell gas, call the Gas Company and Fire Department right away.

CAUTION

- 1) For general ventilation use only. Do not use to exhaust hazardous or explosive materials and vapors.
- 2) To reduce the risk of fire, use only metal ductwork.
- 3) Follow the heating equipment manufacturer's guideline and safety standards such as those published by the National Fire Protection Association (NFPA), and the American Society for Heating, Refrigeration and Air Conditioning Engineers (ASHRAE), and code authorities.
- 4) Activating any switch on may cause ignition or an explosion.

WARNING



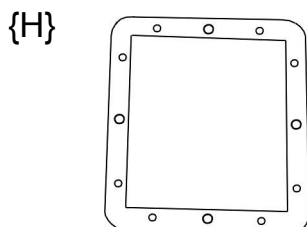
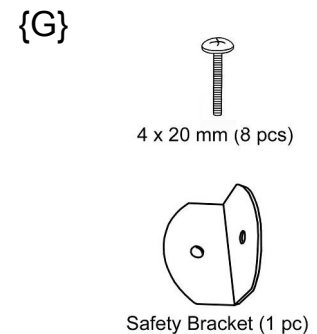
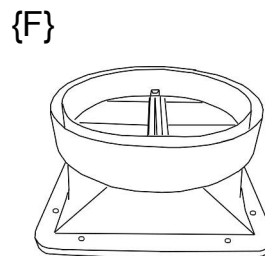
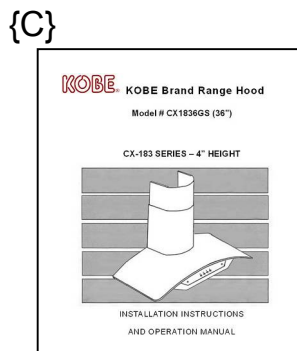
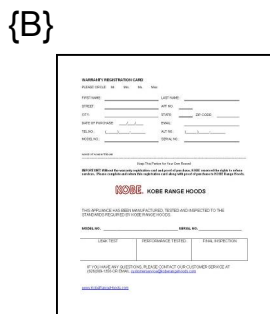
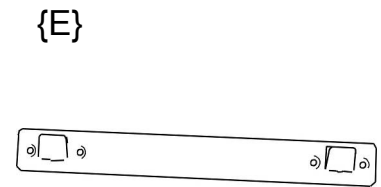
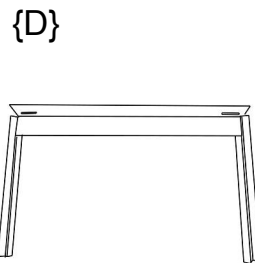
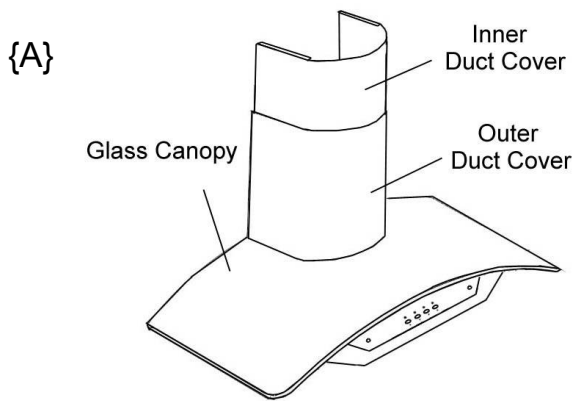
ELECTRICAL SHOCK HAZARD – Can result in serious injury or death. Disconnect appliance from electric power before servicing. If equipped, the fluorescent light bulb contains small amounts of mercury, which must be recycled or disposed of according to Local, State, and Federal Codes.

COMPONENTS OF PACKAGE

(Must keep all material for returns or refunds)

Range Hood Box

- {A} KOBE Range Hood with Two-Piece Duct Cover
- {B} Warranty Registration Card
- {C} Instructions Manual
- {D} Duct Cover-Mounting Bracket
- {E} Hood-Mounting Bracket
- {F} Plastic Damper
- {G} Screw Packages
- {H} Rubber Seal



INSTALLATION

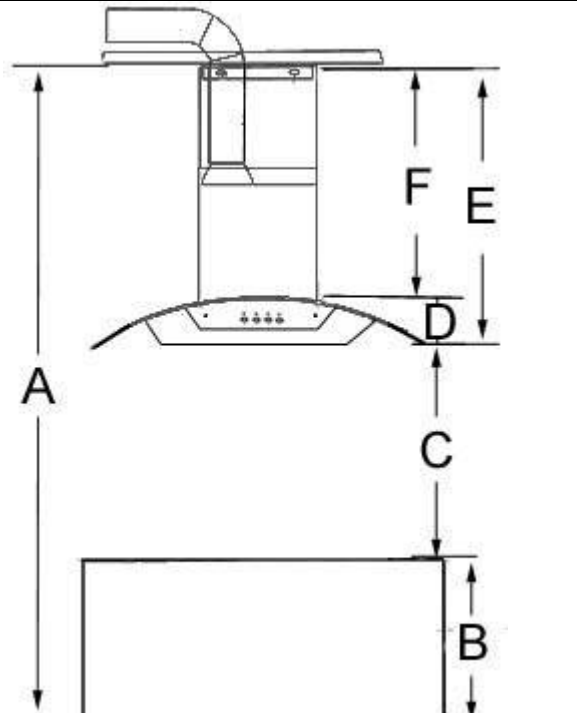
PLEASE READ ENTIRE INSTRUCTIONS BEFORE PROCEEDING

Calculation before Installation

To calculate the length of the installation, please refer to Table 1. (All calculation is measure in inches.)

TABLE 1

A = Height of Floor to Ceiling
B = Height of Floor to Counter Top
(Standard: 36")
**C = Preferred Height of Counter Top
to Hood Bottom (Recommended
27" to 30")**
D = Height of Hood
E = Height of the Hood Installation
[A - (B+C)]
F = Height of Duct Cover [E - D]



▲ SAFETY WARNING

HOOD MAY HAVE VERY SHARP EDGES; PLEASE WEAR PROTECTIVE GLOVES IF IT IS NECESSARY TO REMOVE ANY PARTS FOR INSTALLING, CLEANING OR SERVICING.

Preparations before Installation

NOTE: TO AVOID DAMAGE TO YOUR HOOD, PREVENT DEBRIS FROM ENTERING THE VENT OPENING.

- Decide the location of the venting pipe from the hood to the outside. Refer to Figure 1.
- A straight, short venting run will allow the hood to perform more efficiently.
- Try to avoid as much transitions, elbows, and long run as possible. This may reduce the performance of the hood.
- Use duct tape to seal the joints between pipe sections.
- If necessary, prepare back wall frame with cross framing lumber for secure installation. Using references on Table 1 and measurements on page 12 decide the level of the lumber. Refer to Figure 2.

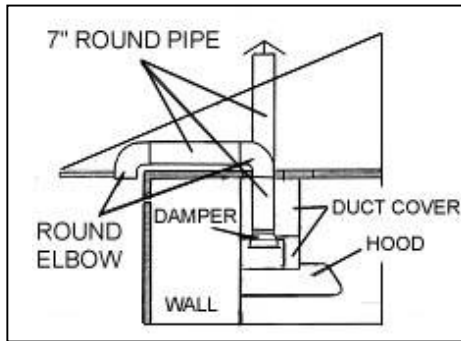


Figure 1

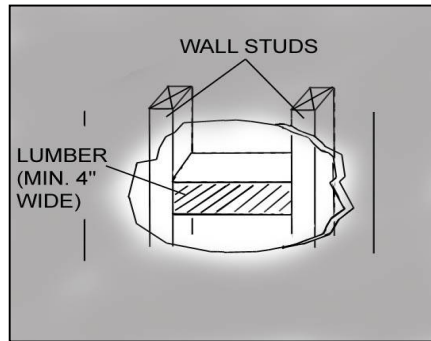


Figure 2

1. Peel protective film off the duct cover and the hood (if any).
2. Place rubber seal on hood venting area as shown in Figure 3. Use eight (4x20 mm) screws (provided) to attach plastic damper and rubber seal to hood venting area. Refer to Figure 4.



Figure 3



Figure 4

3. If necessary to remove the two rubber stands on the back of the hood, unscrew and discard.

Hood Installation

CAUTION: If required to move the cooking range to install the hood, turn OFF the power on an electric range at the main electrical box. SHUT OFF THE GAS BEFORE MOVING A GAS RANGE.

4. Using references on Table 1 and measurements on page 12, mark the leveling point for hood-mounting bracket.
5. Secure hood-mounting bracket with screws (not provided). Refer to Figure 5.



Figure 5

- Align hood to the hood-mounting bracket on the wall and hook hood into place as shown on Figure 6 & 7. CAUTION: MAKE SURE THE HOOD IS SECURE BEFORE RELEASING.



Figure 6

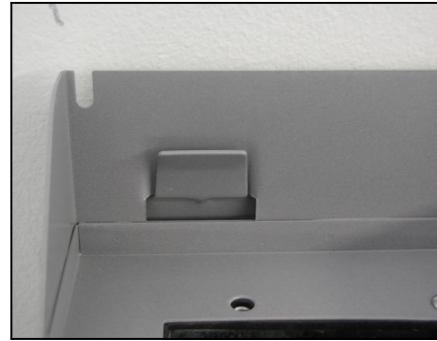


Figure 7

- For safety purposes, install the safety bracket with one screws (not provided) to the wall as shown on Figure 8.

Ductwork Installation

- Use 7" round aluminum or steel pipe to connect the plastic damper on the hood to the ductwork above.
- Use duct tape to make all joints secure and air tight. Make sure pipe is connected between the gaps of the plastic damper. Refer to Figure 9.

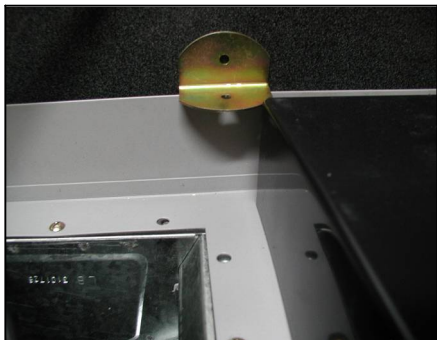


Figure 8

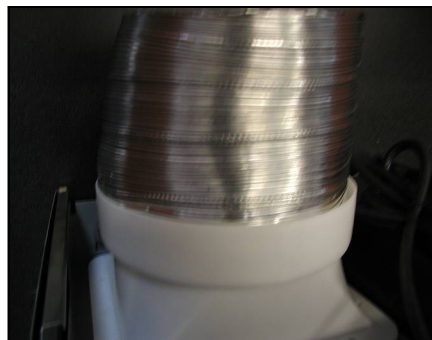


Figure 9

Wiring to Power Supply

⚠ SAFETY WARNING

RISK OF ELECTRICAL SHOCK. THIS RANGE HOOD MUST BE PROPERLY GROUNDED. MAKE SURE THIS IS DONE BY SPECIALIZED ELECTRICIAN IN ACCORDANCE WITH ALL APPLICABLE NATIONAL AND LOCAL ELECTRICAL CODES. BEFORE CONNECTING WIRES, SWITCH POWER OFF AT SERVICE PANEL AND LOCK SERVICE PANEL TO PREVENT POWER FROM BEING SWITCHED ON ACCIDENTALLY.

- Connect three wires (black, white and green) to house wires and cap with wire connectors.
- Connect according to color: black to black, white to white, and green to green.

12. Test the operation of the hood before moving on to next step. Make sure power is supplied to the hood.

Duct Cover Installation

13. Using Table 1 and measurements on page 12 for references, mark the leveling point for duct cover-mounting bracket.
14. Secure the duct cover-mounting bracket to the wall with two screws (not provided). Refer to Figure 10. Make sure all screws are tightened.
15. Hook the inner duct cover onto the duct cover-mounting bracket and release the outer duct cover to fit onto the hood as shown on Figure 11.



Figure 10

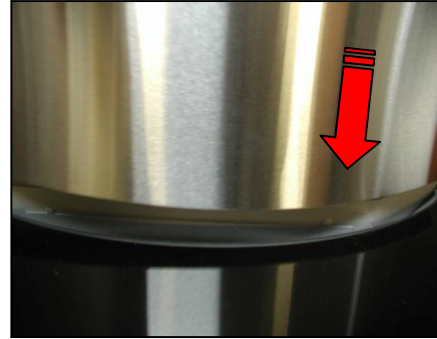


Figure 11

Final Assembly

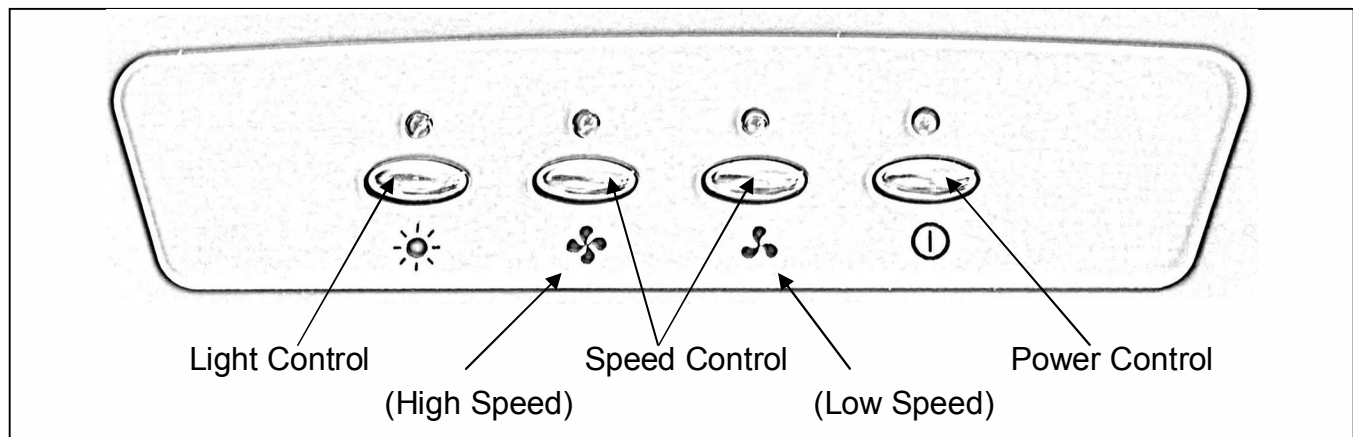
16. Turn power ON in control panel. Check all lights and blower operation.
17. Make sure to leave this manual for the homeowner.

OPERATING INSTRUCTION

This KOBE hood is equipped with a four-button control panel with LED lights, one powerful centrifugal squirrel cage with stainless steel filter, two bright 12-volt 20-watt halogen lights, and one oil container.

The four control buttons are Power Control (On/Off), Speed Control (Low & High Speed), and Light Control. Refer to Figure 12.

Figure 12



Turn On:

(All buttons operate independently)

- Press Power Control (On/Off) to turn on to the prior selected speed or on/off of halogen lights.
- Select the desire speed from the Speed Control button.
- Press Light Control button to turn halogen light on.

Turn Off:

- Press Power Control (On/Off) button to shut down all power immediately.
- Press Light Control to turn halogen light off.
- Press Speed Control to turn the speed off.

MAINTENANCE

CAUTION: NEVER PUT YOUR HAND INTO THE AREA HOUSING THE FAN WHILE THE FAN IS OPERATING.

For the optimal level of operation, clean the range hood surface, fan, and oil container regularly.

To Clean Hood Surface

CAUTION: NEVER USE ABRASIVE CLEANERS, PADS, OR CLOTHS.

- Regular care will help preserve its fine appearance.
 - 1) Use only mild soap or detergent solutions. Dry surfaces using soft cloth.
 - 2) If hood looks splotchy (stainless steel hood), use an orange base cleaner to clean the surface of the hood. Avoid cleaner to get on the control switches. Spread a light coating over the surface of the hood and leave on for a few minutes (do not leave on too long or this may cause damage to hood finish). Use soft towel to wipe off the cleaning solution, gently rubs any stubborn spots. Use a slightly damp towel to get rid of any cleaning solution. Use dry soft towel to dry the hood.
 - 3) To bring the glow back into a stainless steel finish, use a stainless steel cleaner.
 - 4) DO NOT allow deposits to remain for long periods of time.
 - 5) DO NOT use ordinary steel wool or steel brushes. Small bits of steel may adhere to the surface causing rust.
 - 6) DO NOT allow salt solutions, disinfectants, bleaches, or cleaning compounds to remain in contact with stainless steel for extended periods. Many of these compounds contain chemicals, which may be harmful. Rinse with water after exposure and wipe dry with a clean cloth.

To Clean Oil Container, Stainless Steel Filter, and Hood Fan

CAUTION: DRAIN OIL CONTAINER BEFORE OIL CAN OVERFLOW.

- 1) The oil container attached underneath stainless steel filter can be removed by turning counter-clockwise.
- 2) To clean the stainless steel filter, remove the screws (leave in a safe place), and slide stainless steel filter out.
- 3) Both oil container and stainless steel filter should be washed with warm soapy water and dry completely before returning in place. Both are top rack dishwasher safe.

To Replace Light Bulb

CAUTION: HALOGEN LIGHT UNIT MAY BE HOT! WAIT UNTIL UNIT IS COOL.

- 1) Make sure all control switches are off, and range hood is unplugged.
- 2) Use a flat head screwdriver to pop out the protective covering as shown in Figure 13.
- 3) Gently pull out the defective light bulb and discard. Light bulbs should be 12V 20W maximum. Refer to Figure 14. Push bulb securely into light socket.
- 4) Replace protective cover.
- 5) Plug in range hood.



Figure 13



Figure 14

SPECIFICATIONS

MODEL / SIZE	CX1836GS / 36"		
COLOR	#304 Commercial Stainless Steel		
VOLTAGE	120V 60Hz / 189W		
NUMBER OF MOTORS	1		
DESIGN	18-Gauge		
FAN TYPE	Centrifugal Squirrel Cage		
EXHAUST	7" Round		
CONTROLS	Electronic Touch Button (4 Buttons) – Power Control, Speed Control (Low & High Speed), Light Control		
HALOGEN LIGHTS	12V 20W x 2		
HOOD DIMENSION (W x D x H)	(CX1836GS) 35-3/8" x 19-3/4" x 4-3/8"		
DUCT COVER DIMENSION (W x D x H)	(CX183DC) 14-1/8" x 13" x (15-3/4"~30-3/4")		
OPTIONAL ACCESSORIES (W x D x H)	1) 21" Inner Duct Cover Extension (CX183-21DC) 14-1/8" X 13" X (15-3/4"~37") 2) 36" Stainless Steel Back Panel (SSP36) 36" x 1/10" x 32"		
WEIGHT (lbs)	(CX1836GS)	<u>Net</u> 48.5	<u>Gross</u> 53
SPEED	Low	High	
Air Capacity (cfm)*	400	600	
Sone	1.3	2.8	

*In House Test Static Pressure "0".

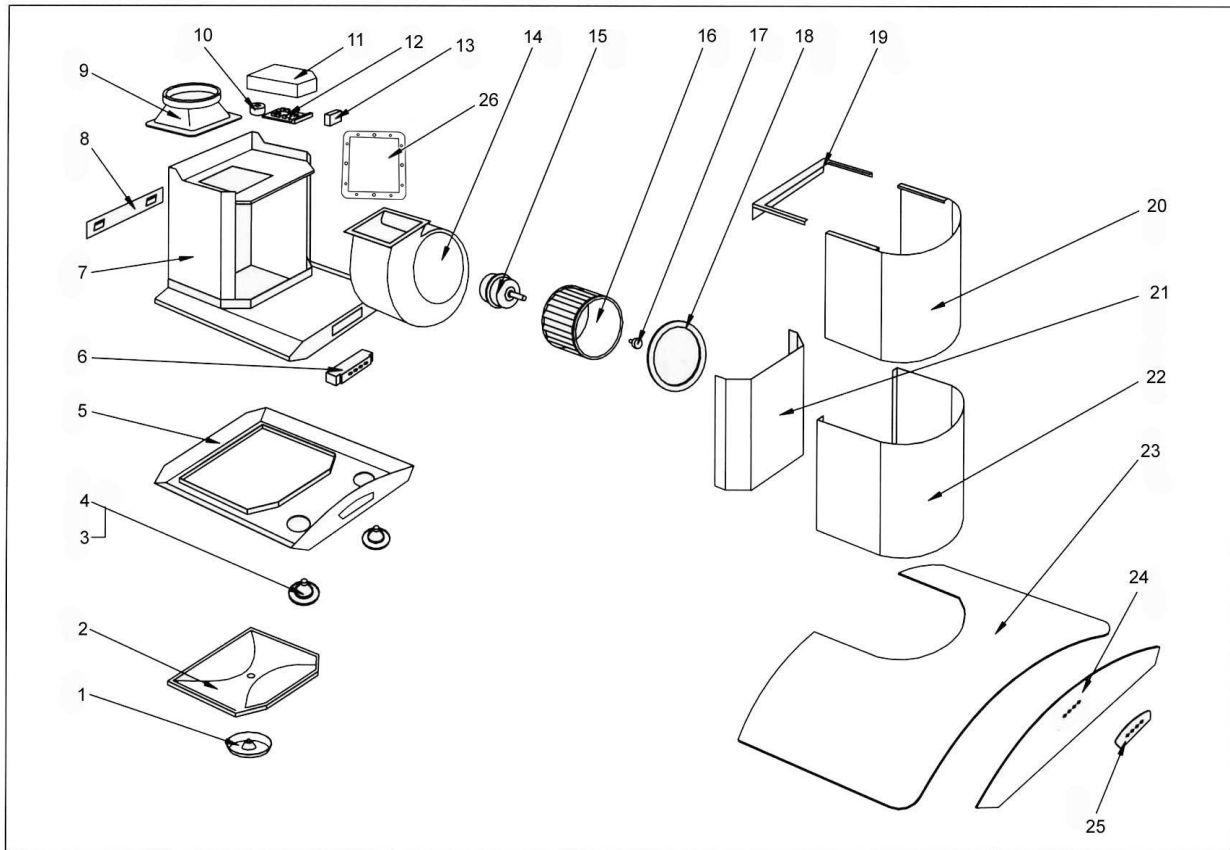
**Specifications information is subject to change without notice.

PARTS LIST

MODEL NO.: CX1836GS

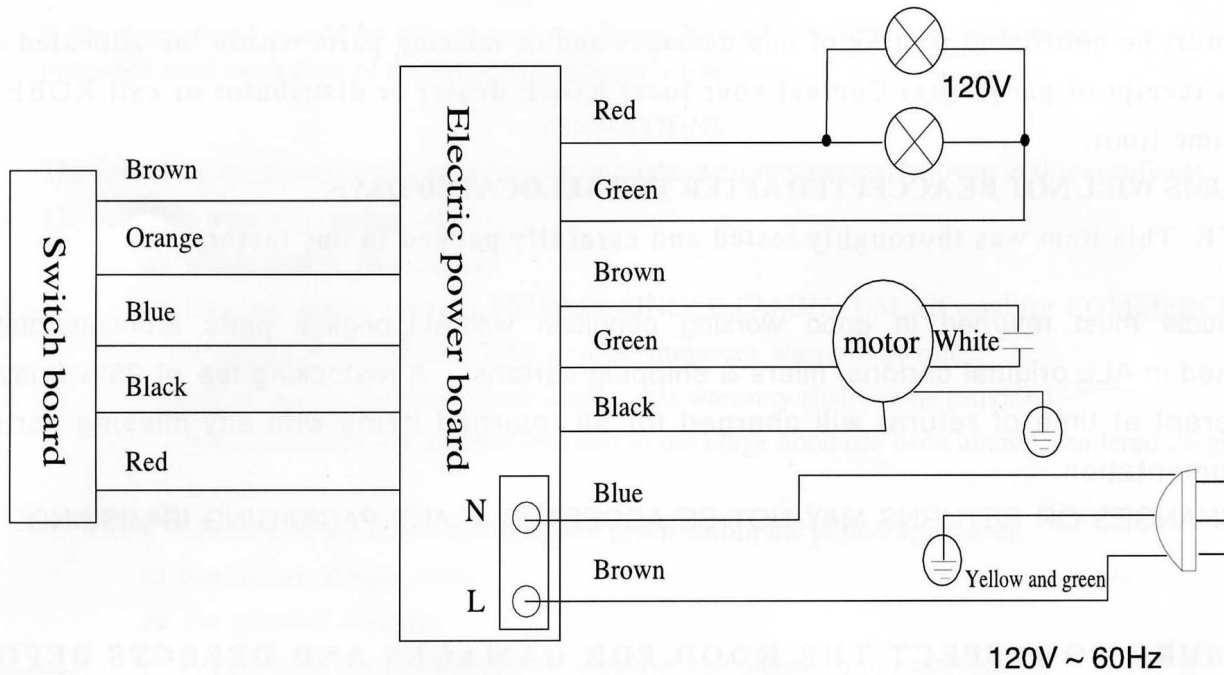
NO.	DESCRIPTION	MODEL /SIZE	PART NO.
1	Oil Container (Round)		1-HAN-M001
2	Stainless Steel Filter		1-FAV-A016
3	Halogen Light Support		1-FAV-J703
4	Halogen Light (12V 20W Max.)		1-FAV-ZJ01
5	Bottom Casing		1-FAZ-A001
6	Control Box		1-FAZ-J200
7	Hood Casing		1-FAZ-A100
8	Hood-Mounting Bracket		1-FAZ-M002
9	Plastic Damper		1-FAV-M011
10	Transformer		1-HAN-J101
11	Electrical Wire Box		1-FAV-G001
12	Processor Board		1-FAX-G100
13	Capacitor		1-HAN-G001
14	Air Chamber		1-FAV-F160
15	Motor		1-HAN-F110
16	Blower		1-FAV-F170
17	Locknut		1-FAA-F205
18	Blower Cover		1-FAV-F120
19	Duct Cover-Mounting Bracket		1-FAV-M020
20	Inner Duct Cover		1-FAX-M001
21	Air Chamber Cover		1-FAV-A006
22	Outer Duct Cover		1-FAX-A101
23	Glass Canopy		1-FAZ-A001
24	LED Lights		1-FAZ-A002
25	Control Panel		1-FAZ-J404
26	Rubber Seal		1-FAV-M005

MODEL NO.: CX1836GS



CIRCUIT DIAGRAM

MODEL NO.: CX1836GS



DISCLAIMER

1. **CAREFULLY INSPECT ALL ITEMS FOR DAMAGES BEFORE ACCEPTING DELIVERY. NOTE ANY DAMAGES ON THE FREIGHT BILL OR EXPRESS RECEIPT. REQUEST NAME AND SIGNATURE OF THE CARRIER'S AGENT AND KEEP COPY TO SUPPORT YOUR CLAIM.**

Upon acceptance of items, owner assumes responsibility for its safe arrival. Damages should be reported to carrier and a claim filed. Failure to do this could result in the carrier refusing to honor your claim. The carrier will furnish you with necessary forms for filing a claim.

DAMAGES CAUSED DURING TRANSIT ARE NOT COVERED UNDER OUR WARRANTY.

2. **PLEASE INSPECT CONTENTS OF PACKAGE (S) CAREFULLY UPON RECEIVING!**

We must be notified in writing of any damages and/or missing parts within the allocated days upon receipt of package(s). Contact your local KOBE dealer or distributor or call KOBE for the time limit.

CLAIMS WILL NOT BE ACCEPTED AFTER THE ALLOCATED DAYS.

NOTE: ITEMS WERE THOROUGHLY TESTED AND CAREFULLY PACKED IN OUR FACTORY.

3. Products must be returned in good working condition with ALL original parts and documentation packed in ALL original cartons, fillers and shipping cartons. A restocking fee of 25% will be charged for all approved return(s).

EXCHANGES OR RETURNS MAY NOT BE ACCEPTED IF ANY PACKAGING IS MISSING.

4. **MAKE SURE TO INSPECT THE HOOD FOR DAMAGES AND DEFECTS BEFORE INSTALLATION.** Appearance flaws of the hood found after installation and not affecting hood performance is not covered under our warranty for returns or exchanges. Service visits not covered under warranty will carry a service charge.

A) Before Installation: Return for exchange or refund (please see above for acceptable returns).

B) After Installation: **NO** exchange or refund.

WARRANTY

WARRANTY CERTIFICATE

KOBE Range Hoods, Inc. warrants all products manufactured or supplied by it to be free from defects in workmanship and materials. Its obligations pursuant to this warranty are limited to a period of two years from the date of purchase and to the repair or replacement at its option and subject to the terms and conditions stated below, of any component part, which its examination shall disclose to be so defective.

TWO-YEAR WARRANTY SERVICE PERIOD

Any covered failure occurring within two years of original purchase arising from defective workmanship or material in manufacture will be repaired (or at our option the unit will be replaced) free of charge by an authorized KOBE Range Hoods Agent or KOBE Range Hoods as applicable. Keep proof of purchase (or original invoice) handy for inspection.

If the range hood is sold by the original purchaser during the warranty period the new owner is protected until expiration of the original purchaser's warranty.

CONDITIONS

The following conditions apply only in relation to the warranty expressly given in this certificate.

- 1) This warranty applies only:
 - a) within U.S.A. and Canada.
 - b) to range hoods used for PRIVATE SINGLE FAMILY USE (if used for COMMERCIAL or MULTIPLE FAMILY USE or other purposes, warranty is void).
- 2) Repair of any fault to be provided under this warranty shall not be provided:
 - a) if the identification number attached to the range hood has been altered, rendered illegible or removed;
 - b) if notice of the defect has not been given within the period applicable;
 - c) for failure of light bulbs;
 - d) for physical damage;
 - e) for surfaces damaged by use of improper chemical cleaning agents;
 - f) if the appliance has been:
 - i) subject to misuse, abuse, negligence, accident, incorrect installation or failure to follow the operating instructions;
 - ii) connected to improper, inadequate or faulty electricity service or exhaust ducts or flues or operated using incorrect or contaminated lubricants;
 - iii) installed, maintained or operated otherwise than in accordance with the instructions furnished by KOBE Range Hoods including the improper use of detergents, bleaches, or cleaners.
 - g) for damage to range hood during transit, delivery, installation or removal;
 - h) for damage by or resulting from attempted repairs conducted by anyone other than our Authorized Service Agent.

- 3) The purchaser shall be responsible for any expenses involved in making the range hood readily accessible for servicing and where the range hood is installed outside the main sales territory of the retailer or service territory of the nearest approved KOBE Range Hoods Agent as applicable, for any traveling expenses and any costs of transporting the range hood or parts thereof to and from the dealer or Service Agent
- 4) The purchaser must produce proof of purchase together with this warranty certificate when making the claim.
- 5) Damages caused during shipment are not covered under our warranty.

CONSEQUENTIAL DAMAGE

The warrantor is not responsible for any consequential damage. SOME STATES DO NOT ALLOW THE EXCLUSION OF CONSEQUENTIAL DAMAGE SO THE ABOVE EXCLUSION MAY NOT APPLY TO YOU.

IMPLIED WARRANTIES/STATE LAW

Any implied warranties, including the implied warranty of merchantability and fitness for purpose, imposed on the sale by the laws of the state of sale are limited to two year from the date of original purchase. Some states do not allow limitations on the duration of implied warranties. This warranty gives you specific legal rights, and may also have rights, which vary from state to state.

SERVICE

For service contact:

KOBE Range Hoods, Inc.
4934 Walnut Grove Avenue
Suite 202
San Gabriel, CA 91776
U.S.A
Tel: (626) 309-1356 Fax: (626) 309-1366
Email: customerservice@koberangehoods.com
www.KobeRangeHoods.com

PRODUCT REGISTRATION

Register Your Product!

Any covered failure occurring within two years of original purchase arising from defective workmanship or material in manufacture will be repaired or at our option the unit will be replaced free of charge by an authorized KOBE Range Hoods Agent or KOBE Range Hoods as applicable. Keep proof of purchase (original invoice) handy for inspection.

If the range hood is sold by the original purchaser during the warranty period the new owner is protected until expiration of the original purchaser's warranty. See warranty section for complete warranty coverage information.

This appliance has been manufactured, tested, and inspected to the standards required by KOBE Range Hoods.

PLEASE MAIL IN YOUR WARRANTY REGISTRATION CARD AND PROOF OF PURCHASE TO:

KOBE Range Hoods, Inc.
4934 Walnut Grove Avenue
Suite 202
San Gabriel, CA 91776

RECORD THE FOLLOWING INFORMATION FOR YOUR RECORD:

Model No. _____

Serial No. _____

Purchased Date ____/____/____

Purchased From:

IMPORTANT: PLEASE KEEP A COPY OF YOUR SALE RECEIPT OR INVOICE HANDY WHEN REQUESTING FOR SERVICE.

Free Manuals Download Website

<http://myh66.com>

<http://usermanuals.us>

<http://www.somanuals.com>

<http://www.4manuals.cc>

<http://www.manual-lib.com>

<http://www.404manual.com>

<http://www.luxmanual.com>

<http://aubethermostatmanual.com>

Golf course search by state

<http://golfingnear.com>

Email search by domain

<http://emailbydomain.com>

Auto manuals search

<http://auto.somanuals.com>

TV manuals search

<http://tv.somanuals.com>