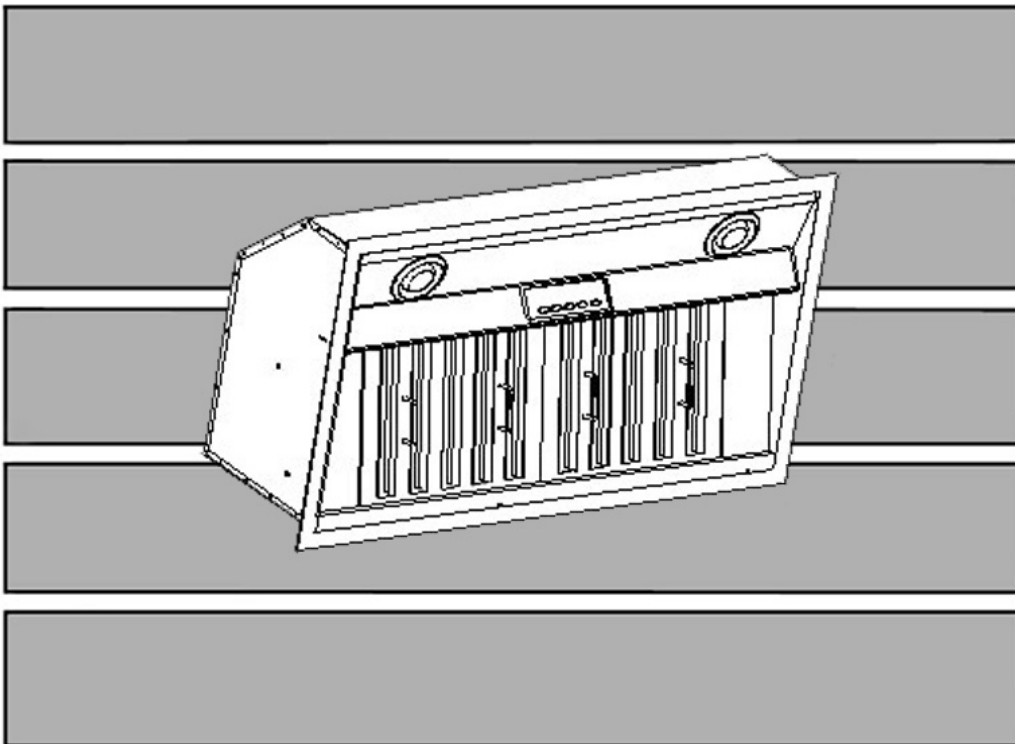


KOBE® **KOBE Brand Range Hood**

Model No.: IN2636SQB

IN-026 SERIES



INSTALLATION INSTRUCTIONS AND OPERATION MANUAL

- READ AND SAVE THESE INSTRUCTIONS -

CONTENTS

IMPORTANT SAFETY INSTRUCTIONS 1

COMPONENTS OF PACKAGE 3

INSTALLATION..... 4

 - FOR INSERT INSTALLATION -5

Preparation Before Installation..... 5

Custom Hood Preparation..... 5

Liner Installation..... 5

Wiring to Power Supply..... 6

Duct Work Installation..... 6

Hood Preparation Before Installation..... 6

Hood Installation..... 7

Final Assembly..... 8

OPERATING INSTRUCTIONS 9

MAINTENANCE 12

SPECIFICATIONS 13

MEASUREMENTS & DIAGRAMS..... 14

PARTS LIST 16

CIRCUIT DIAGRAM 18

DISCLAIMER 19

WARRANTY..... 20

PRODUCT REGISTRATION..... 22

- READ ALL INSTRUCTIONS CAREFULLY BEFORE STARTING -

ALL WIRING MUST BE DONE BY A PROFESSIONAL AND IN ACCORDANCE WITH NATIONAL AND LOCAL ELECTRICAL CODES.



IMPORTANT SAFETY INSTRUCTIONS

- PLEASE READ THIS SECTION CAREFULLY BEFORE INSTALLATION -

⚠WARNING: TO REDUCE THE RISK OF FIRE, ELECTRIC SHOCK OR PERSONAL INJURY, OBSERVE THE FOLLOWING:

- 1) Installation and electrical wiring must be done by qualified professionals and in accordance with all applicable codes and standards, including fire-rated construction.
- 2) When cutting or drilling into wall or ceiling, be careful not to damage electrical wiring or other hidden utilities.
- 3) Ducted fans must be vented to the outside.
 - a) Before servicing or cleaning unit, open the light panel and SWITCH POWER OFF AT SERVICE PANEL.
 - b) Clean all grease laden surfaces frequently. To reduce the risk of fire and to disperse air properly, make sure to vent air outside. DO NOT vent exhaust air into wall spaces, attics, crawl spaces or garages.

- NOTE
- This warranty is invalid without an authorized agent's receipt or if unit is damaged due to misuse, poor installation, improper use, mistreatment, negligence or any other circumstances beyond the control of KOBE RANGE HOODS authorized agents. Any repair carried out without the supervision of KOBE RANGE HOODS authorized agents will automatically void the warranty.
 - KOBE RANGE HOODS will not be held responsible for any damages to personal property or real estate or any bodily injuries whether caused directly or indirectly by the range hood.

⚠WARNING: TO REDUCE THE RISK OF PERSONAL INJURY IN THE EVENT OF A RANGE TOP GREASE FIRE:

- Keep all fan, baffle/spacer/filter/oil tunnel/oil container and grease-laden surfaces clean. Grease should not be allowed to accumulate on fan, baffle/spacer/filter/oil tunnel/oil container.
- Always turn hood ON when cooking.
- Use high settings on cooking range ONLY when necessary.
- Do not leave cooking range unattended when cooking.
- Always use cookware and utensils appropriate for the type and amount of food prepared.
- Use this unit only in the manner intended by the manufacturer.
- Before servicing, switch power off at service panel and lock service panel (if possible) to prevent power from switching on accidentally.
- Clean ventilating fan frequently.

What to Do In The Event Of a Range Top Grease Fire

- SMOTHER FLAMES with a tight fitting lid, cookie sheet, or metal tray, and then turn off the burner. KEEP FLAMMABLE OR COMBUSTIBLE MATERIAL AWAY FROM FLAMES. If the flames do not go out immediately, EVACUATE THE AREA AND CALL THE FIRE DEPARTMENT or 911.
- NEVER PICK UP A BURNING PAN – You May Get Burned.
- DO NOT USE WATER, including wet dishcloths or towels – a violent steam blast will result.
- Use an extinguisher ONLY if:
 - a) You have a Class A, B, C extinguisher and know how to operate it.
 - b) The fire is small and contained in the area where it started.
 - c) The fire department has been called.
 - d) You can fight the fire with your back to an exit.

What to Do If You Smell Gas

- Extinguish any open flame.
- Do not try to turn on the lights or any type of appliance.
- Open all doors and windows to disperse the gas. If you still smell gas, call the Gas Company and Fire Department right away.

⚠ CAUTION

- 1) For general ventilation use only. Do not use to exhaust hazardous or explosive materials and vapors.
- 2) To reduce the risk of fire, use only metal ductwork. Sufficient air is needed for proper combustion and exhausting of gases through the flue (chimney) to prevent back drafting.
- 3) Follow the heating equipment manufacturer's guideline and safety standards such as those published by the National Fire Protection Association (NFPA), and the American Society for Heating, Refrigeration and Air Conditioning Engineers (ASHRAE), and code authorities.
- 4) Activating any switch on may cause ignition or an explosion.
- 5) Due to the size and weight of this hood, two people installation is recommended.

⚠ WARNING



ELECTRICAL SHOCK HAZARD – Can result in serious injury or death. Disconnect appliance from electric power before servicing. If equipped, the fluorescent light bulb contains small amounts of mercury, which must be recycled or disposed of according to Local, State, and Federal Codes.

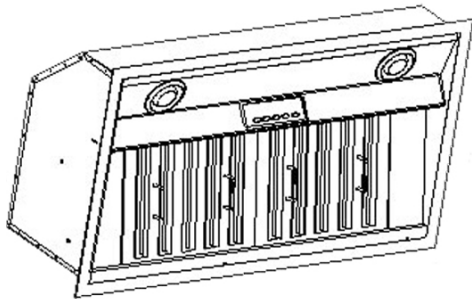
COMPONENTS OF PACKAGE

(Must keep all material for returns or refunds)

Range Hood Box

- {A} KOBE Range Hood
- {B} Warranty Registration Card
- {C} Instruction Manual
- {D} Baffle Filter – 2
- {E} Oil Tunnel – 1
- {F} Handle & Screws Package – 1
- {G} Wireless Control – 1

{A}



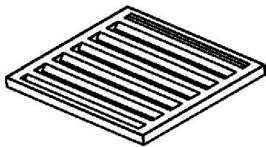
{B}

WARRANTY REGISTRATION CARD	
MODEL NO. _____	DATE _____
STREET _____	CITY _____
STATE _____	ZIP CODE _____
PHONE NO. _____	EMAIL _____
TITLE _____	ALIAS _____
MODEL NO. _____	SERIAL NO. _____
<p>PLEASE PRINT NAME FOR YOUR OWN RECORD</p> <p>NAME THIS RANGE HOOD _____</p> <p>PLEASE PRINT MODEL NO. OF THE RANGE HOOD, SERIAL NO., AND DATE OF PURCHASE. (SEE MANUAL FOR MODEL NO. LISTING)</p> <p>PLEASE PRINT SERIAL NO. AND DATE OF PURCHASE. (SEE MANUAL FOR SERIAL NO. LISTING)</p>	
KOBE. KOBE RANGE HOODS	
<p>THIS APPLIANCE HAS BEEN MANUFACTURED, TESTED AND INSPECTED TO THE STANDARDS REQUIRED BY KOBE RANGE HOODS.</p>	
MODEL NO. _____	SERIAL NO. _____
LEAK TEST _____	REPERFORATE TESTED _____
<p>IF YOU HAVE ANY QUESTIONS, PLEASE CONTACT OUR CUSTOMER SERVICE AT (626) 350-1355 OR EMAIL sales@kobehoods.com</p>	

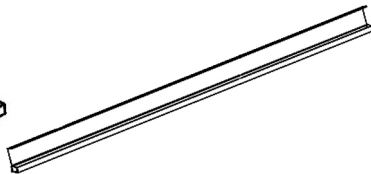
{C}



{D}



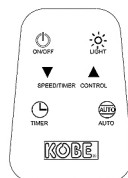
{E}



{F}



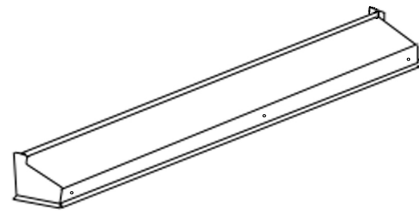
{G}



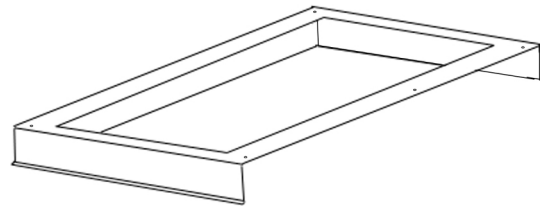
Liner (Sold Separately)

- {H} Front Section of Liner
- {I} Rear Section of Liner

{H}



{I}



◆ FOR MORE INFORMATION, PLEASE VISIT OUR WEBSITE WWW.KOBERangeHoods.com OR CONTACT KOBE RANGE HOODS AT (626) 350-1355.

INSTALLATION

PLEASE READ ENTIRE INSTRUCTIONS BEFORE PROCEEDING

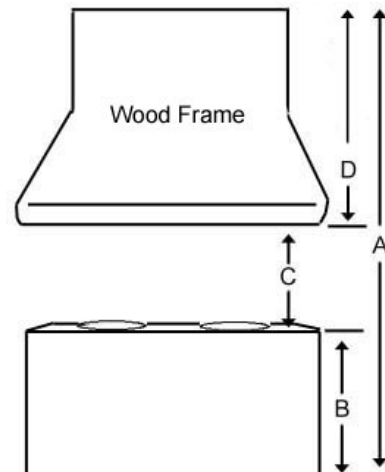
Calculation before Installation

To calculate installation, please refer to TABLE 1. (All calculation in inches.)

- FOR UNDER THE CABINET -

TABLE 1

A = Height of Floor to Ceiling
B = Height of Floor to Counter Top
(Standard: 36")
C = **Height of Counter Top to Wood Frame Bottom (Recommended 27" to 30")**
D = Height of Wood Frame



⚠ SAFETY WARNING

HOOD MAY HAVE VERY SHARP EDGES; PLEASE WEAR PROTECTIVE GLOVES IF REMOVING ANY PARTS FOR INSTALLING, CLEANING OR SERVICING.

NOTE: BE CAREFUL WHEN USING ELECTRICAL SCREWDRIVER, DAMAGE TO THE HOOD MAY OCCUR.

- For Insert installation -

Preparation Before Installation

NOTE: TO AVOID DAMAGE TO YOUR HOOD, PREVENT DEBRIS FROM ENTERING THE VENT OPENING.

- Decide the location of the venting pipe from the hood to the outside. Refer to Figure 1.
- A straight, short vent run will allow the hood to perform more efficiently.
- Try to avoid as many transitions, elbows, and long run as possible. This may reduce the performance of the hood.
- Temporarily wire the hood to test for proper operation before installing.
- **Important: Peel protective film off the hood, if any.**
- Use duct tape to seal joints between pipe sections.

⚠ CAUTION: If moving the cooking range is necessary to install the hood, turn off the power in an electric range at the main electrical box. **SHUT OFF THE GAS BEFORE MOVING A GAS RANGE.** And use a protective covering to protect cooktop and/or countertop from damage.

Custom Hood Preparation

1. The custom hood frame must be sized to the shape and weight of the insert. Refer to Measurements and Diagrams on Page 13.
2. It must have a sturdy base (3/4 inch thick plywood recommended) to sustain the weight of insert.
3. If an optional liner will be installed, the side of the wood frame must be sturdy (3/4 inch thick plywood recommended).
4. It is recommended to install rear & front stud support (not included). Refer to Figure 2. The rear and front stud support is located 1-1/2" up from the base of the wood frame. For safety purposes, extra installation holes on the side of the insert are provided. Prepare the side stud support if needed.

Liner Installation

5. The custom wood frame must have a sturdy base to accommodate the cut-out for the inset. The base must be recessed to accommodate the height of the liner (See liner dimension on Page 15)
6. Secure the liner to the bottom of the base using screws (not included) appropriate for the size and material of your wood frame.
7. Liner is made up of two sections: a large, rear section with pre-cut for insert and a front section for a total adjustable depth between 23" and 25-3/4".
8. Position the rear section of the liner so that it aligns with

Figure 1

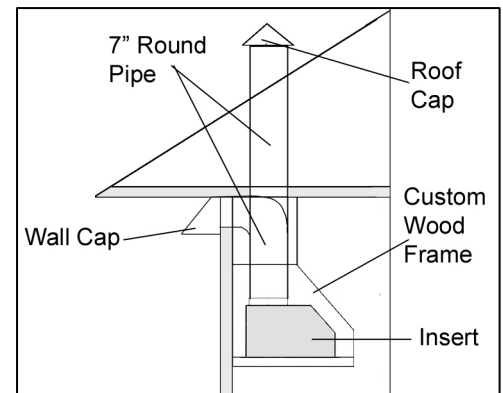


Figure 2

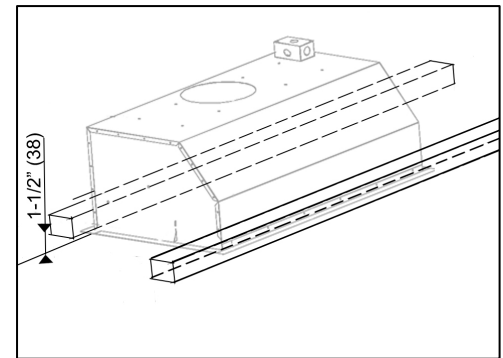
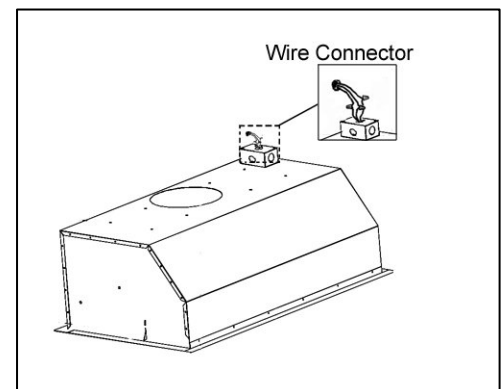


Figure 3



the back edge of the custom wood frame. Use a pen to trace the outline of the pre-cut area. Remove the liner and proceed to Hood Preparation Before Installation.

9. Install the rear section of the liner with 6 screws (not included).
10. Install the front section of the liner with 3 screws (not included)
11. Proceed to Hood Installation on Page 7.

Wiring to Power Supply

⚠ SAFETY WARNING

RISK OF ELECTRICAL SHOCK. THIS RANGE HOOD MUST BE PROPERLY GROUNDED. MAKE SURE THIS IS DONE BY QUALIFIED ELECTRICIAN IN ACCORDANCE WITH ALL APPLICABLE NATIONAL AND LOCAL ELECTRICAL CODES. BEFORE CONNECTING WIRES, SWITCH POWER OFF AT SERVICE PANEL AND LOCK SERVICE PANEL TO PREVENT POWER FROM BEING SWITCHED ON ACCIDENTALLY.

12. Temporarily wire the hood to test for proper operation before installing. If the insert does not operate, check the circuit breaker or house fuse. If the insert is still not working, disconnect the power supply and check the continuity of all wiring connections.
13. Connect electrical wires.
14. Connect three wires (black, white and green) to house wires and cap with wire connectors. Connect wires according to their colors (i.e. black to black, white to white, and green to green). See Figure 3.
15. Store wires in the wiring box.
Note: Connect all electrical wires before installing insert. DO NOT turn on the power until installation is complete.

Duct Work Installation

16. Use 7" steel pipe (follow building codes in your area) to connect the ducting on the hood to the ductwork above. Use duct tape to seal and secure joints as shown in Figure 4.
17. Please refer to local codes for the usage of the damper (not included).

Hood Preparation Before Installation

⚠ CAUTION: If moving the cooking range is necessary to install the hood, turn off the power in an electric range at the main electrical box. **SHUT OFF THE GAS BEFORE MOVING A GAS RANGE.**

18. Determine and mark the centerlines on the base of the wood frame where the insert will be installed.
19. Determine and make all necessary cuts in the wall or ceiling for the ductwork. Note: Install the ductwork

Figure 4

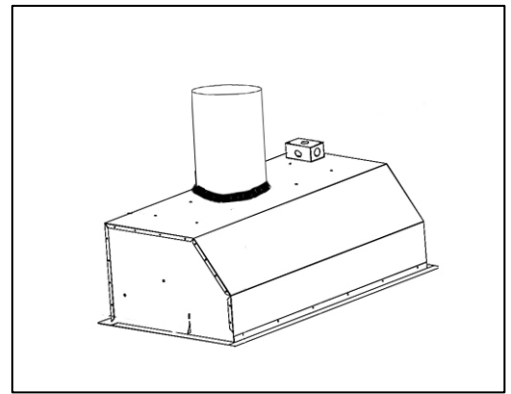


Figure 5

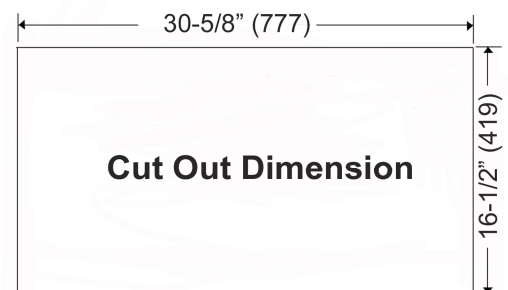


Figure 6

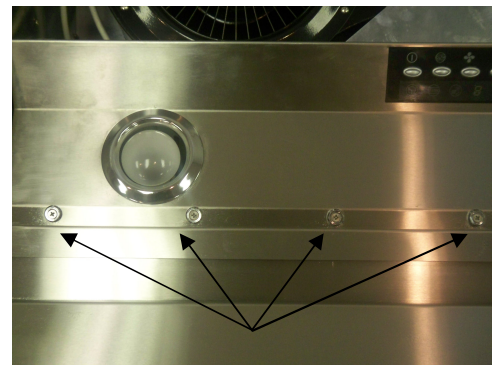
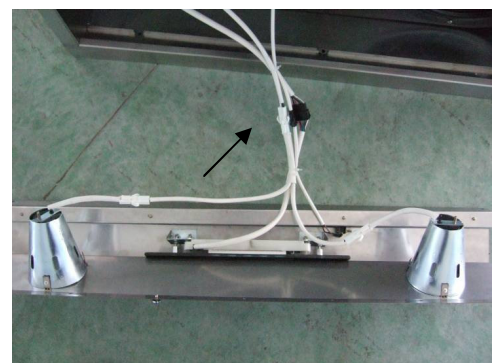


Figure 7



before installing the insert.

20. Determine the proper location for the Power Supply Cable. Make a wiring access hole using a drill bit. Install the wire cable and seal the gap around hole.
21. Cut out the opening where the insert will be installed. (Figure 5)

Hood Installation

NOTE: USE HAND TOOLS ONLY. DO NOT OVER TIGHTEN SCREWS. IT MIGHT CAUSED DAMAGED TO THE HOOD.

22. Remove 4 screws located at the bottom of the insert. (Fig. 6). Slowly remove the light support panel and unplug all the connections as shown in Fig. 7.
23. Install the hood casing support (provided in the screw package). Adjust the level of the locking mechanism according to the thickness of the base (3/4 thickness plywood recommended). Tighten the screws (included) to secure as shown in Fig. 8.
24. Install the insert inside the custom wood frame.
25. Install the insert using the rear and front mounting holes which are located at 1-1/2" (38mm) up from the insert base (Screws not included).
26. For a more secure installation, use the mounting holes located on the side of the insert
27. Make sure insert is secure before releasing.
28. Re-install the light support panel. (Do not over tighten screws.)

⚠ CAUTION: MAKE SURE HOOD IS SECURE BEFORE RELEASING.

Figure 8

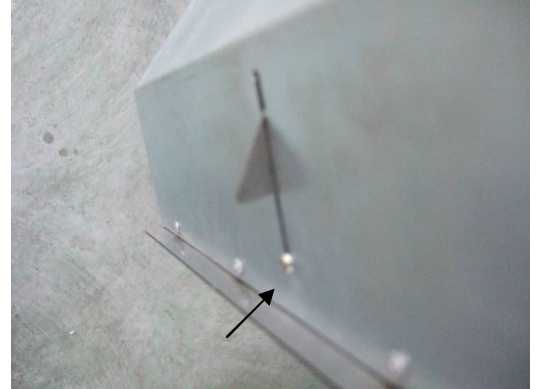
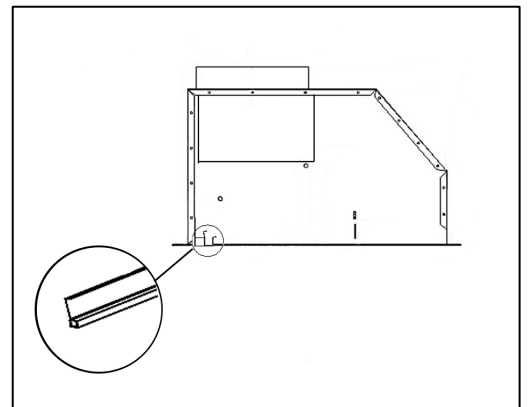


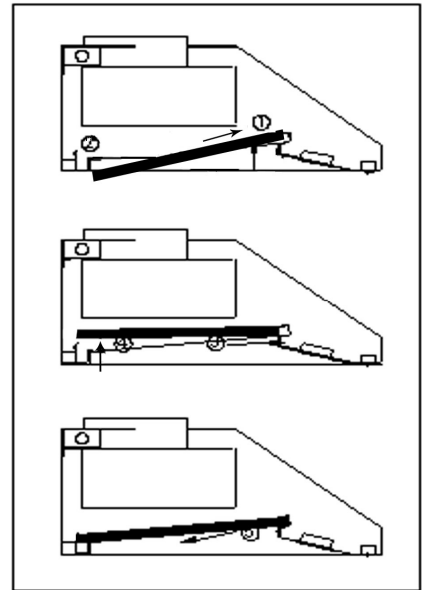
Figure 9



Final Assembly

29. Install the oil tunnel into recess support near rear of hood. Refer to Figure 9.
30. Install Baffle filters. Angle baffle filter toward back of hood ①. Push baffle filter up until almost level ②. Slide forward into recess behind the front of hood ③. Lower baffle filter ④. Slide back until it fits into resting position ⑤. Refer to Figure 10.

Figure 10



OPERATING INSTRUCTIONS

This KOBE hood is equipped with five electronic push buttons with LED array, six electronic button wireless control, twin vertical centrifugal squirrel cage fan with stainless steel baffle filter, ISC (Integrated Sensor Control), two bright 120-volt 40-watt socket (light bulbs not included), and one oil tunnel.

The five control buttons are Power Control (On/Off), Speed Control (High, Medium, Low & QuietMode™), Auto Control, Timer Control and Light Control. Refer to Figure 11.

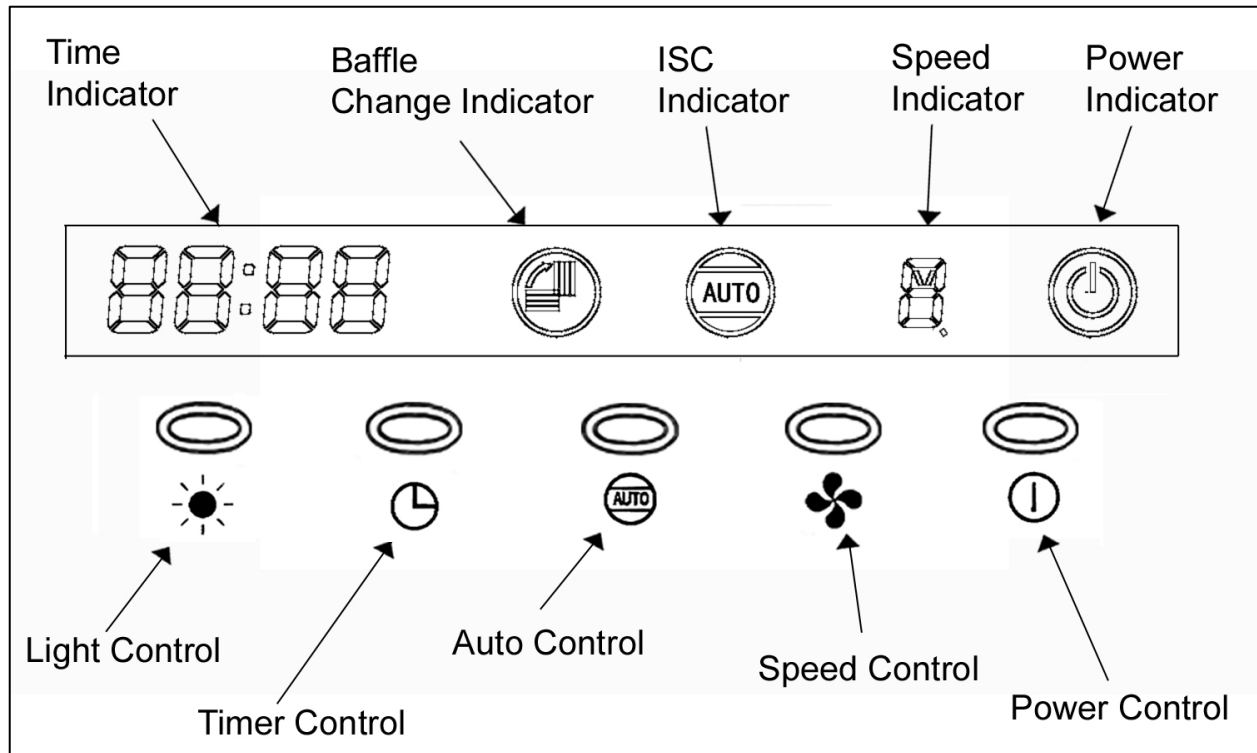


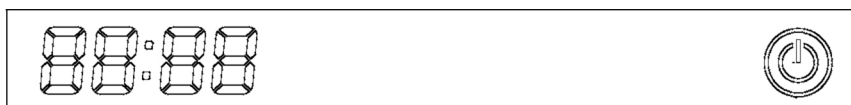
Fig. 11

Note: For best results, turn hood to QuietMode™ prior to any preparation or cooking. Adjust speed as needed.

Power Control

Press Power Control to turn On/Off the hood.

Output Display:



Speed Control

(Each press of speed button will cycle the fan through High, Medium, Low, and QuietMode™.)

Output Display will indicate:

 = QuietMode™ Speed

L = Low Speed
M = Medium Speed
H = High Speed

Auto Control

Press Auto Control to set the hood on auto sensor. When gas or fluctuating temperature* is detected, hood will automatically turn ON. Fan will turn to its highest speed and will turn OFF until gas is eliminated and temperature is reduced down to room temperature. (*Temperature: Higher than normal room temperature.)

Output Display:



Light Control

(Lights are control separately from ON/OFF control. Turning power off will not turn lights off.)

Press Light control to turn lights ON.

(Each press of Light Control will cycle the light intensity through high, low, and off.)

Timer Control


Press Timer Control to start timer.

Each press of Timer Control will increase by 1 minute on the display.

When Timer Control is pressed, fan will automatically shut off after set time. Timer range from 1 min. to 99 mins.

To clear the timer, press Timer Control twice.

Baffle Change Indicator

The display  will indicate when baffle filter needs cleaning. Remove to clean the baffle filter.

(To purchase replacement filters, please contact your local KOBE dealer or call 626-350-1355)

The six control buttons for the wireless remote control are Power Control (On/Off), Light Control, Speed Controls (High, Medium, Low & QuietMode™), Timer Control and Auto Control. Refer to Figure 12.

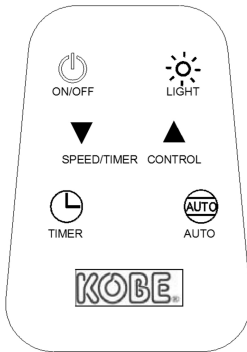


Fig. 12

Power Control

Press Power Control to turn On/Off the hood.

Light Control

(Lights are control separately from ON/OFF control. Turning power off will not turn lights off.)

Press Light control to turn lights ON.

(Each press of Light Control will cycle the light intensity through high, low, and off.)

Speed Control

Press the Speed control to activate the Fan. The KOBE hood will start on High speed. Each press of the Speed Control button will cycle through the various speeds.

Press ▼ to cycle from High, Medium, Low, and QuietMode™.

Press ▲ to cycle from High, QuietMode™, Low, and Medium.

Timer Control

Press Timer Control to activate Timer mode. The Timer Indicator on the display will flash.

If Speed/Timer Control button (▼ OR ▲) is not pressed within 6 seconds,

the unit will automatic exit the Timer mode. The ▼ ▲ arrow will switch to speed function control.

During the Timer mode, each press of ▼ will decrease the timer by 1 minute.

While each press of ▲ will increase the timer by 1 minute.

Once the timer is set, after 6 seconds, the Timer Indicator will stop flashing and fans will automatically shut off after set time.

Auto Control

Press Auto Control to activate the Integrated Sensor Control (ISC) feature.

MAINTENANCE

SAFETY WARNING

NEVER PUT YOUR HAND INTO AREA HOUSING THE FAN WHILE THE FAN IS OPERATING.

Cleaning Hood Surface

 **CAUTION:** NEVER USE ABRASIVE CLEANERS, PADS, OR CLOTHS. DO NOT USE PAPER TOWEL ON STAINLESS STEEL.

For optimal operation, clean range hood and all baffle/spacer/filter/oil tunnel/oil container regularly.

*** Regular care will help preserve the appearance of the hood.

1. Use only mild soap or detergent solutions. Dry surfaces using soft cloth.
2. If hood looks splotchy (stainless steel hood), use a stainless steel cleaner to clean the surface of the hood. Avoid getting cleaning solution onto or into the control panel. Follow directions of the stainless steel cleaner. **Caution: Do not leave on too long as this may cause damage to hood finish.** Use soft towel to wipe off the cleaning solution, gently rub off any stubborn spots. Use dry soft towel to dry the hood.
3. DO NOT allow deposits to accumulate or remain on the hood.
4. DO NOT use ordinary steel wool or steel brushes. Small bits of steel may adhere to the surface and cause rusting.
5. DO NOT allow salt solutions, disinfectants, bleaches, or cleaning compounds to remain in contact with stainless steel for extended periods. Many of these compounds contain chemicals, which may be harmful. Rinse with water after exposure and wipe dry with a clean lint free cloth.

To Clean Baffle, Spacer, Filter, Oil Tunnel and Oil Container

 **CAUTION:** DRAIN OIL FROM BAFFLES, SPACER(S), FILTERS, OIL TUNNEL(S) AND OIL CONTAINERS BEFORE OIL AND RESIDUE CAN OVERFLOW.

Cleaning Baffle Filters

1. Remove all baffles, spacer(s), and oil tunnel(s). Follow directions on page 7 in reverse.
2. Discard oil and residue.
3. Wash with warm soapy water. Dry thoroughly before replacing.
(*Note: Stainless Steel Baffles, Spacer(s) & Oil Tunnel are top rack dishwasher safe.*)

SPECIFICATIONS

MODEL / SIZE	IN2636SQB
COLOR	20-Gauge Commercial Stainless Steel
CONSUMPTION / AMPERE	290W / 2.5A
VOLTAGE	120V 60Hz
NUMBER OF MOTORS	2
FAN TYPE: CENTRIFUGAL	Twin Vertical Squirrel Cage
EXHAUST	Top 7" Round with Damper
CONTROLS	5 Push-Button with LED Array 6 Button Wireless Remote - Variable Delay Shutoff

HALOGEN LIGHTS 120V 40W Max. x 2 (Light Bulbs not Included)

HOOD DIMENSION (W X D X H) 32-9/16" x 18-1/2" x 10-9/16"

OPTIONAL ACCESSORIES (W X D X H) 2 Piece Adjustable Liner
 Model No.: INL36252A (36" x 23" to 25" x 3")
 Model No.: INL42252A (42" x 23" to 25" x 3")
 Model No.: INL48252A (48" x 23" to 25" x 3")

HOOD WEIGHT (lbs)		<u>Net</u>	<u>Gross</u>	
	IN2636SQB	51	63	
Blower Air Capacity (cfm)*	QuietMode™	Low	Medium	High
	385	460	560	700
Sone**	1.2	3.0	4.0	5.0
dB	42	56	60	64

*In House Test Static Pressure "0".

** One Sone is equivalent to 40 decibels.

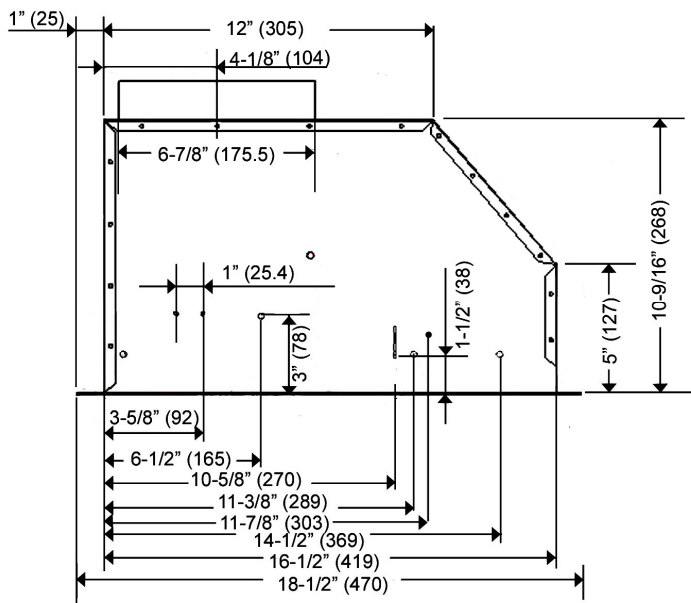
***Specifications subject to change without notice.

MEASUREMENTS & DIAGRAMS

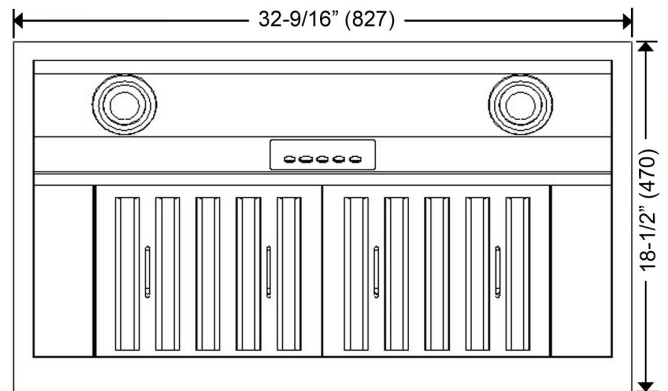
- ◆ All () are in millimeter.
- ◆ All inch measurements are converted from millimeters. Inch measurements are estimated.

MODEL NO: IN2636SQB

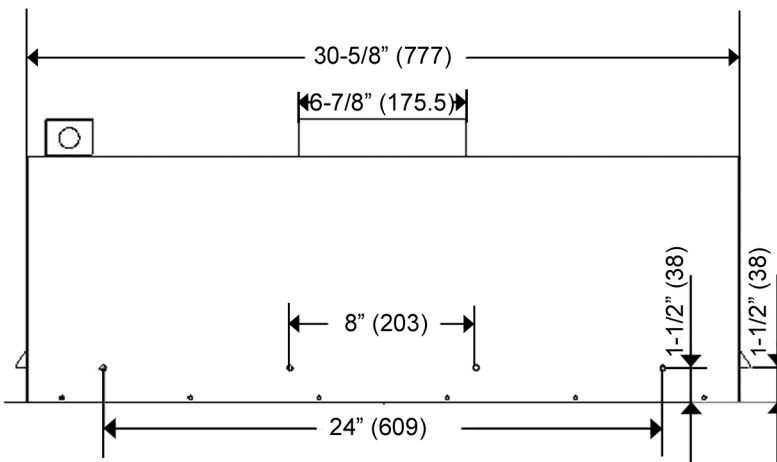
Side View



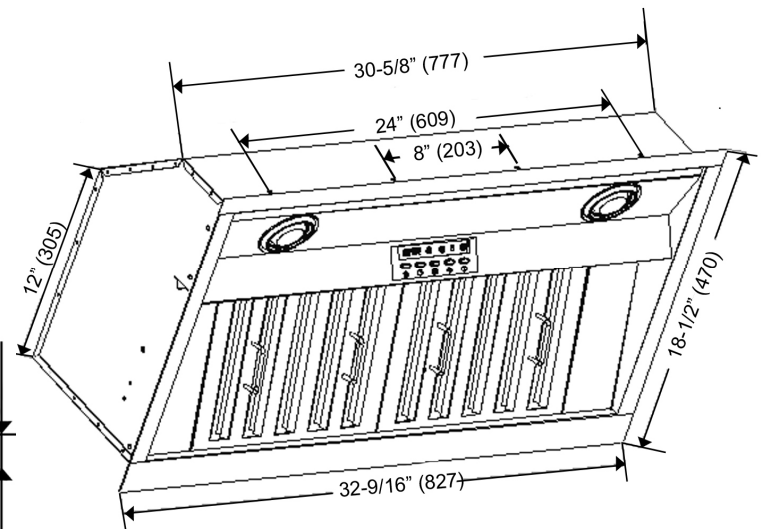
Bottom View



Back View



Front View

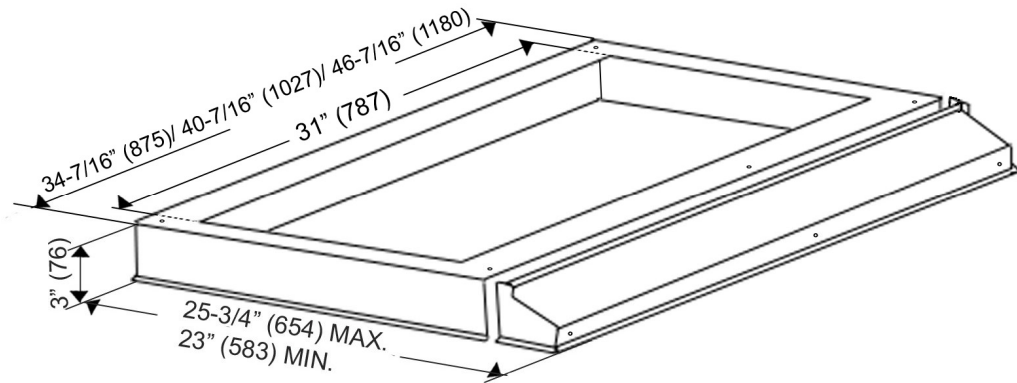


Stainless Steel Liner (Sold Separately)

Model No. INL36252A

Model No. INL42252A

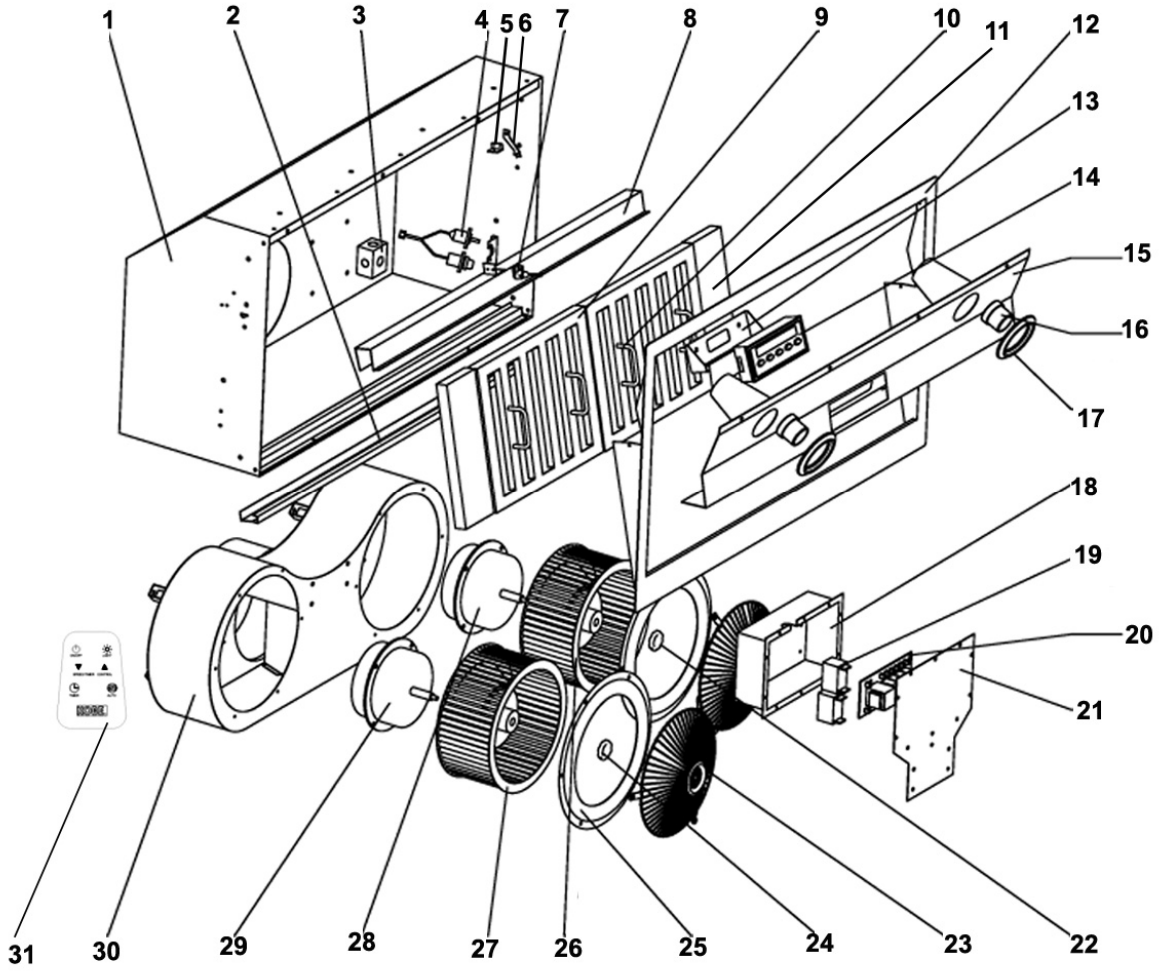
Model No. INL48252A



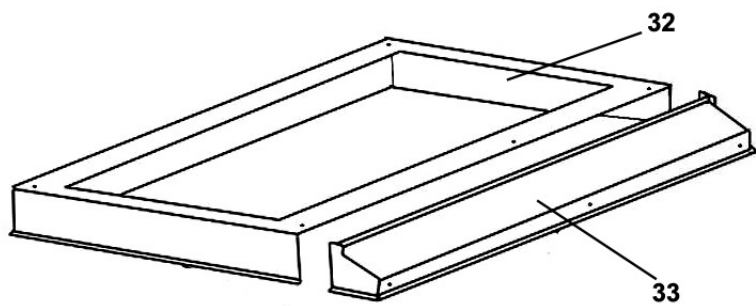
PARTS LIST

MODEL NO: IN2636SQB

NO.	DESCRIPTION	MODEL/SIZE	PART NO.
1	Hood Casing		IN2636-02-01
2	Oil Tunnel		IN2636-03-04
3	Wiring Box		IN2636-06-01
4	ISC		IN2636-08-01
5	Baffle Filter Support Bracket		IN2636-03-07
6	Hood Casing Support		IN2636-02-08
7	Indicator Sensor		IN2636-05-01
8	Baffle Filter Support		IN2636-03-05
9	Baffle Filters		IN2636-03-01
10	Baffle Filter Handles		IN2636-03-06
11	Spacers		IN2636-03-03
12	Bottom Casing		IN2636-01-01
13	Control Unit Support		IN2636-02-08
14	Control Unit		IN2636-11-01
15	Light Support Panel		IN2636-02-03
16	Light Socket		IN2636-04-04
17	Light Decorative Ring		IN2636-04-06
18	Processor Board Box		IN2636-07-01
19	Capacitor		IN2636-07-03
20	Processor Board		IN2636-09-01
21	Electronic Support Panel		IN2636-07-02
22	Right Locknut		IN2636-23-01
23	Safety Screen		IN2636-22-01
24	Left Locknut		IN2636-24-01
25	Blower Cover		IN2636-25-01
26	Right Squirrel Cage		IN2636-26-01
27	Left Squirrel Cage		IN2636-27-01
28	Right Motor		IN2636-28-01
29	Left Motor		IN2636-29-01
30	Air Chamber		IN2636-30-01
31	Wireless Remote		IN2636-21-01
Optional Liner (Sold Separately)			
32	Rear Liner Section	INL36252A	IN2636-12-01
	Rear Liner Section	INL42252A	IN2636-13-01
	Rear Liner Section	INL48252A	IN2636-14-01
33	Front Liner Section	INL36252A	IN2636-12-02
	Front Liner Section	INL42252A	IN2636-13-02
	Front Liner Section	INL48252A	IN2636-14-02

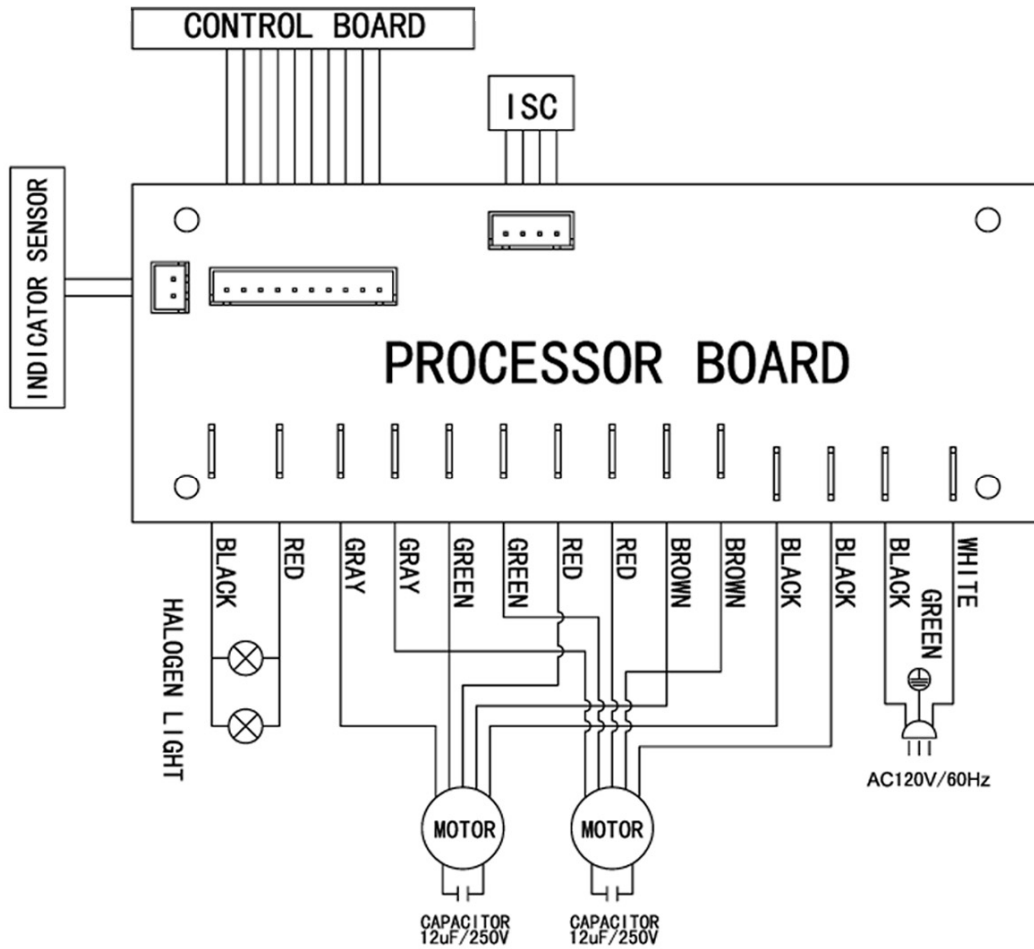


Optional Liner (Sold Separately)



CIRCUIT DIAGRAM

MODEL NO.: IN2636SQB



DISCLAIMER

1. **CAREFULLY INSPECT ALL ITEMS FOR DAMAGES BEFORE ACCEPTING DELIVERY. NOTE ANY DAMAGES ON THE FREIGHT BILL OR EXPRESS RECEIPT. REQUEST NAME AND SIGNATURE OF THE CARRIER'S AGENT AND KEEP COPY TO SUPPORT YOUR CLAIM.**

Upon acceptance of items, owner assumes responsibility for its safe arrival. Report damages to the carrier and file a claim immediately. Failure to do so may result in the denial of your claim. The carrier will furnish you with necessary forms for filing a claim.

DAMAGES CAUSED DURING TRANSIT ARE NOT COVERED UNDER OUR WARRANTY.

2. **PLEASE INSPECT CONTENTS OF PACKAGE(S) CAREFULLY UPON RECEIVING!**

We must be notified in writing of any damages and/or missing parts within the allocated days upon your receipt of package(s). Contact your local KOBE dealer or distributor or call KOBE for the time limit.

CLAIMS WILL NOT BE ACCEPTED AFTER THE ALLOCATED DAYS.

NOTE: ITEMS WERE THOROUGHLY TESTED AND CAREFULLY PACKED IN OUR FACTORY BEFORE SHIPPING.

3. Products must be returned in good working condition with ALL original parts and documentation packed in ALL original cartons, fillers and shipping cartons. A restocking fee of 25% will be charged for all approved return(s).

EXCHANGES OR RETURNS MAY NOT BE ACCEPTED IF ANY PACKAGING IS MISSING.

4. **MAKE SURE TO INSPECT THE HOOD FOR DAMAGES AND DEFECTS BEFORE INSTALLATION.** Appearance flaws of the hood found after installation and not affecting hood performance is not covered under our warranty for returns or exchanges. Service visits not covered under warranty will carry a service charge.

A) Before Installation: Return for exchange or refund (please see above for acceptable returns).

B) After Installation: **NO** exchange or refund.

WARRANTY

WARRANTY CERTIFICATE

KOBE Range Hoods, Inc. warrants all products manufactured or supplied by it to be free from defects in workmanship and materials. Its obligations pursuant to this warranty are limited to a period of two years from the date of purchase and to the repair or replacement at its option and subject to the terms and conditions stated below, of any component part, which its examination shall disclose to be so defective.

TWO-YEAR WARRANTY SERVICE PERIOD

Any covered failure occurring within two years of original purchase arising from defective workmanship or material in manufacture will be repaired (or at our discretion, replaced) free of charge by an authorized KOBE Range Hoods Agent or KOBE Range Hoods as applicable. Keep proof of purchase (or original invoice) handy for inspection.

If the range hood is sold by the original purchaser during the warranty period the new owner is protected until expiration of the original purchaser's warranty.

CONDITIONS

The following conditions apply only in relation to the warranty expressly given in this certificate.

- 1) This warranty applies only:
 - a) within U.S.A. and Canada.
 - b) to range hoods used for PRIVATE SINGLE FAMILY USE (if used for COMMERCIAL or MULTIPLE FAMILY USE or other purposes, warranty will be voided).
- 2) Repair of any fault to be provided under this warranty shall not be provided:
 - a) if the identification number attached to the range hood has been altered, rendered illegible or removed;
 - b) if notice of the defect has not been given within the period applicable;
 - c) for failure of light bulbs or heat lamps;
 - d) for physical damage;
 - e) for surfaces damaged by use of improper chemical cleaning agents;
 - f) if the appliance has been:
 - i) subject to misuse, abuse, negligence, accident, incorrect installation or failure to follow the operating instructions;
 - ii) connected to improper, inadequate or faulty electricity service or exhaust ducts, flues or duct cover, or operated using incorrect or contaminated lubricants;
 - iii) installed, maintained or operated otherwise than in accordance with the instructions furnished by KOBE Range Hoods including the improper use of detergents, bleaches, or cleaners.
 - g) for damage to range hood during transit, delivery, installation or removal;
 - h) for damage by or resulting from attempted repairs conducted by anyone other than our Authorized Service Agent.
 - i) noise or vibration caused by improper installation of range hood and/or damper.
- 3) The purchaser shall be responsible for any expenses involved in making the range hood readily accessible for servicing and where the range hood is installed outside the main sales territory of the retailer or service territory of the nearest approved KOBE Range Hoods Agent as applicable, for any traveling expenses and any costs of transporting the range hood or parts thereof to and from the dealer or Service Agent

- 4) The purchaser must produce proof of purchase together with this warranty certificate when making the claim.
- 5) Damages caused during shipment are not covered under our warranty.

CONSEQUENTIAL DAMAGE

The warrantor is not responsible for any consequential damage. SOME STATES DO NOT ALLOW THE EXCLUSION OF CONSEQUENTIAL DAMAGE SO THE ABOVE EXCLUSION MAY NOT APPLY TO YOU.

IMPLIED WARRANTIES/STATE LAW

Any implied warranties, including the implied warranty of merchantability and fitness for purpose, imposed on the sale by the laws of the state of sale are limited to two year from the date of original purchase. Some states do not allow limitations on the duration of implied warranties. This warranty gives you specific legal rights, and may also have rights, which vary from state to state.

SERVICE

For service contact:

KOBE Range Hoods
10505 Valley Blvd, Suite 302
El Monte, CA 91731
U.S.A
Tel: (626) 350-1355 Fax: (626) 350-1976
Email: customer.service@KOBERangeHoods.com
Website: www.KOBERangeHoods.com

PRODUCT REGISTRATION

Register Your Product!

Any covered failure occurring within two years of original purchase arising from defective workmanship or material in manufacture will be repaired or at our option the unit will be replaced free of charge by an authorized KOBE Range Hoods Agent or KOBE Range Hoods as applicable. Keep proof of purchase (original invoice) handy for inspection.

If the range hood is sold by the original purchaser during the warranty period the new owner is protected until expiration of the original purchaser's warranty. See warranty section for complete warranty coverage information.

This appliance has been manufactured, tested, and inspected to the standards required by KOBE Range Hoods.

PLEASE MAIL IN YOUR WARRANTY REGISTRATION CARD AND PROOF OF PURCHASE TO:

KOBE Range Hoods
10505 Valley Blvd, Suite 302
El Monte, CA 91731

RECORD THE FOLLOWING INFORMATION FOR YOUR RECORD:

Model No. _____

Serial No. _____

Purchased Date ____ / ____ / ____

Purchased From:

IMPORTANT: PLEASE KEEP A COPY OF YOUR SALE RECEIPT OR INVOICE HANDY WHEN REQUESTING SERVICE.

KOBE[®]

KOBE Range Hoods
10505 Valley Blvd Suite # 302
El Monte, CA 91731 USA

<http://www.KOBERangeHoods.com>

This KOBE hood is made for use in the USA and CANADA only. We do not recommend using this hood overseas as the power supply may not be compatible and may violate the electrical code of that country. **Using a KOBE hood overseas is at your own risk and will void your warranty.**

VER.070829

Free Manuals Download Website

<http://myh66.com>

<http://usermanuals.us>

<http://www.somanuals.com>

<http://www.4manuals.cc>

<http://www.manual-lib.com>

<http://www.404manual.com>

<http://www.luxmanual.com>

<http://aubethermostatmanual.com>

Golf course search by state

<http://golfingnear.com>

Email search by domain

<http://emailbydomain.com>

Auto manuals search

<http://auto.somanuals.com>

TV manuals search

<http://tv.somanuals.com>