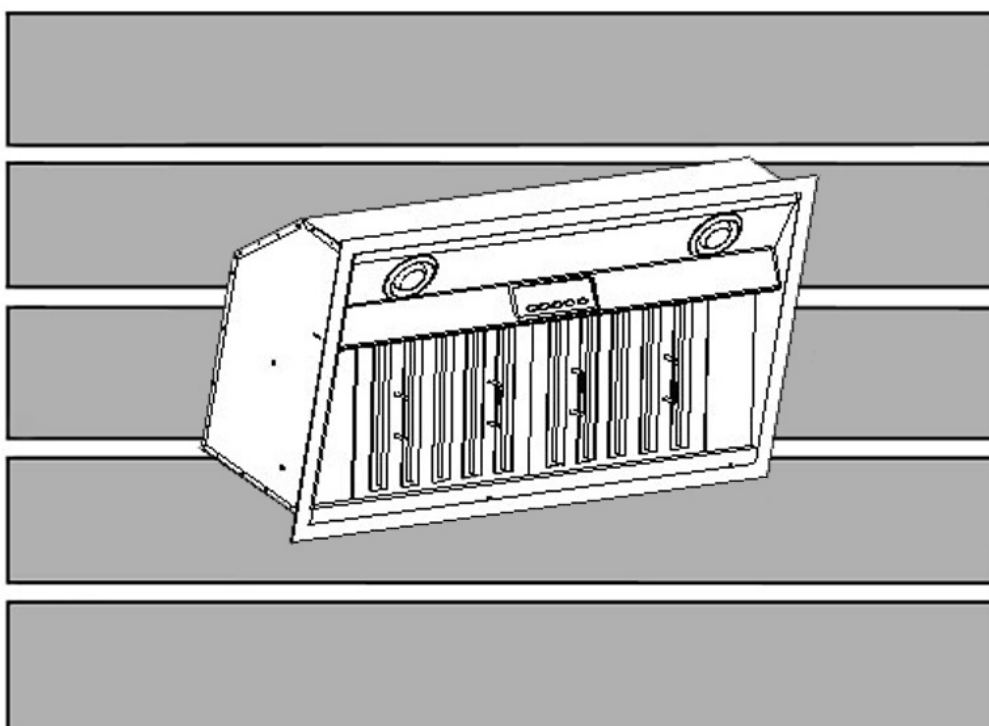


# **KOBE**® **KOBE Brand Range Hood**

**Model No. / N<sup>os</sup> de modèles / Modelo No.  
IN2636SQB-1**

## **IN-026 SERIES**



**INSTALLATION INSTRUCTIONS  
AND OPERATION MANUAL**

**MANUEL D'INSTALLATION  
ET MODE D'EMPLOI**

**INSTRUCCIONES DE INSTALACIÓN  
Y MANUAL DE OPERACIÓN**



[ENGLISH] .....	1
[FRENCH] .....	25
[SPANISH] .....	49

# [ENGLISH]

- READ AND SAVE THESE INSTRUCTIONS -

## CONTENTS

IMPORTANT SAFETY INSTRUCTIONS .....	2
COMPONENTS OF PACKAGE .....	4
INSTALLATION.....	5
OPERATING INSTRUCTIONS .....	10
MAINTENANCE .....	13
SPECIFICATIONS .....	14
MEASUREMENTS & DIAGRAMS.....	15
PARTS LIST.....	17
CIRCUIT DIAGRAM .....	19
TROUBLE SHOOTING .....	20
DISCLAIMER .....	21
WARRANTY.....	22
PRODUCT REGISTRATION.....	24

- READ ALL INSTRUCTIONS CAREFULLY BEFORE STARTING -

ALL WIRING MUST BE DONE BY A PROFESSIONAL AND IN ACCORDANCE WITH NATIONAL AND LOCAL ELECTRICAL CODES



## IMPORTANT SAFETY INSTRUCTIONS

- PLEASE READ THIS SECTION CAREFULLY BEFORE INSTALLATION -

**⚠WARNING:** TO REDUCE THE RISK OF FIRE, ELECTRIC SHOCK OR PERSONAL INJURY, OBSERVE THE FOLLOWING:

- 1) Installation and electrical wiring must be done by qualified professionals and in accordance with all applicable codes and standards, including fire-rated construction.
- 2) When cutting or drilling into wall or ceiling, be careful not to damage electrical wiring or other hidden utilities.
- 3) Ducted fans must be vented to the outside.
  - a) Before servicing or cleaning unit, open the light panel and SWITCH POWER OFF AT SERVICE PANEL.
  - b) Clean all grease laden surfaces frequently. To reduce the risk of fire and to disperse air properly, make sure to vent air outside. DO NOT vent exhaust air into wall spaces, attics, crawl spaces or garages.

NOTE - This warranty is void without an authorized agent's receipt or if unit is damaged due to misuse, poor installation, improper use, mistreatment, negligence or any other circumstances beyond the control of KOBE RANGE HOODS authorized agents. Any repair carried out without the supervision of KOBE RANGE HOODS authorized agents will automatically void the warranty.

- KOBE RANGE HOODS will not be held responsible for any damages to personal property or real estate or any bodily injuries whether caused directly or indirectly by the range hood.

**⚠WARNING:** TO REDUCE THE RISK OF PERSONAL INJURY IN THE EVENT OF A RANGE TOP GREASE FIRE:

1. Keep all fan, baffle/spacer/filter/oil tunnel/oil container and grease-laden surfaces clean. Grease should not be allowed to accumulate on fan, baffle/spacer/filter/oil tunnel/oil container.
2. Always turn hood ON when cooking.
3. Use high settings on cooking range ONLY when necessary.
4. Do not leave cooking range unattended when cooking.
5. Always use cookware and utensils appropriate for the type and amount of food prepared.
6. Use this unit only in the manner intended by the manufacturer.
7. Before servicing, switch power off at service panel and lock service panel (if possible) to prevent power from switching on accidentally.
8. Clean ventilating fan frequently.

### What to Do In The Event Of a Range Top Grease Fire

- SMOTHER FLAMES with a tight fitting lid, cookie sheet, or metal tray, and then turn off the burner. KEEP FLAMMABLE OR COMBUSTIBLE MATERIAL AWAY FROM FLAMES. If the flames do not go out immediately, EVACUATE THE AREA AND CALL THE FIRE DEPARTMENT or 911.
- NEVER PICK UP A BURNING PAN – You May Get Burned.
- DO NOT USE WATER, including wet dishcloths or towels – a steam blast will result.
- Use an extinguisher ONLY if:
  - a) You have a Class A, B, C extinguisher and know how to operate it.
  - b) The fire is small and contained in the area where it started.
  - c) The fire department has been called.
  - d) You can fight the fire with your back to an exit.

### What to Do If You Smell Gas

- Extinguish any open flame.
- Do not try to turn on the lights or any type of appliance.
- Open all doors and windows to disperse the gas. If you still smell gas, call the Gas Company and Fire Department right away.

## **⚠ CAUTION**

1. For general ventilation use only. Do not use to exhaust hazardous or explosive materials and vapors.
2. To reduce the risk of fire, use only metal ductwork. Sufficient air is needed for proper combustion and exhausting of gases through the flue (chimney) to prevent back drafting.
3. Follow the heating equipment manufacturer's guideline and safety standards such as those published by the National Fire Protection Association (NFPA), and the American Society for Heating, Refrigeration and Air Conditioning Engineers (ASHRAE), and code authorities.
4. Activating any switch on may cause ignition or an explosion.
5. Due to the size and weight of this hood, installation by 2 persons is recommended.

### **⚠ WARNING**



**ELECTRICAL SHOCK HAZARD – Can result in serious injury or death. Disconnect appliance from electric power before servicing. If equipped, the fluorescent light bulb contains small amounts of mercury, which must be recycled or disposed of according to Local, State, and Federal Codes.**

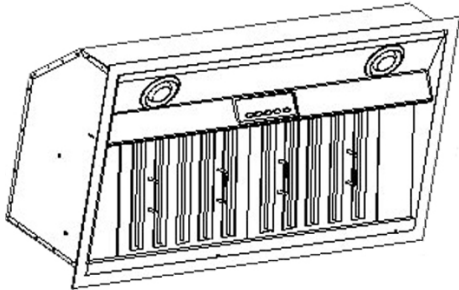
# COMPONENTS OF PACKAGE

(Must keep all material for returns or refunds)

## Range Hood Box

- {A} KOBE Range Hood
- {B} Warranty Registration Card
- {C} Instruction Manual
- {D} Baffle Filter – 2
- {E} Oil Tunnel – 1
- {F} Screws Package – 1
- {G} Wireless Control – 1
- {H} Exhaust Plate – 1

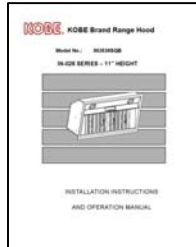
{A}



{B}



{C}



{D}



{E}



{F}



{G}



{H}

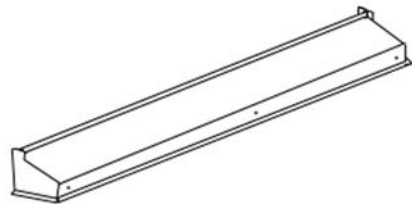


## Liner (Sold Separately)

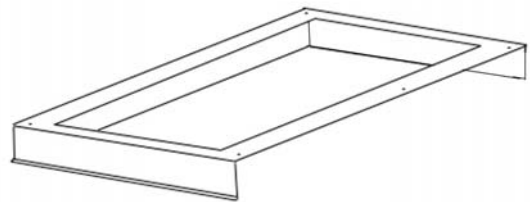
{I} Front Section of Liner

{J} Rear Section of Liner

{I}



{J}



- FOR MORE INFORMATION, PLEASE VISIT OUR WEBSITE [www.KOBERangeHoods.com](http://www.KOBERangeHoods.com) OR CONTACT KOBE RANGE HOODS AT (626) 775-8880.

# INSTALLATION

PLEASE READ ENTIRE INSTRUCTIONS BEFORE PROCEEDING

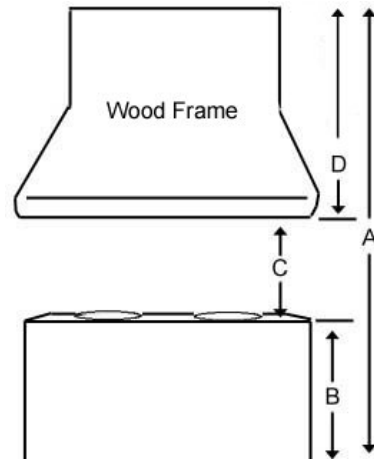
## Calculation before Installation

To calculate installation, please refer to TABLE 1. (All calculation in inches.)

### - FOR UNDER THE CABINET -

**TABLE 1**

A = Height of Floor to Ceiling  
B = Height of Floor to Counter Top  
(Standard: 36")  
C = **Height of Counter Top to Wood Frame Bottom (Minimum 27" to 30")**  
D = Height of Wood Frame



## **SAFETY WARNING**

**HOOD MAY HAVE VERY SHARP EDGES; PLEASE WEAR PROTECTIVE GLOVES IF REMOVING ANY PARTS FOR INSTALLING, CLEANING OR SERVICING.**

**NOTE: BE CAREFUL WHEN USING ELECTRICAL SCREWDRIVER, DAMAGE TO THE HOOD MAY OCCUR.**



## - For Insert Installation -

Figure 1

### Preparation Before Installation

NOTE: TO AVOID DAMAGE TO YOUR HOOD, PREVENT DEBRIS FROM ENTERING THE VENT OPENING.

- Decide the location of the venting pipe from the hood to the outside. Refer to Figure 1.
- A straight, short vent run will allow the hood to perform more efficiently.
- Try to avoid as many transitions, elbows, and long run as possible. This may reduce the performance of the hood.
- Temporarily wire the hood to test for proper operation before installing.
- **Important: Peel protective film off the hood, if any.**
- Use duct tape to seal joints between pipe sections.

**CAUTION:** If moving the cooking range is necessary to install the hood, turn off the power in an electric range at the main electrical box. **SHUT OFF THE GAS BEFORE MOVING A GAS RANGE.** And use a protective covering to protect cooktop and/or countertop from damage.

### Custom Hood Preparation

1. The custom hood frame must be designed according to the shape and the weight of the insert. Refer to Measurements and Diagrams on Page 15.
2. Install the Exhaust Plate using 4 screws. Refer to Figure 2.
3. It must have a sturdy base (3/4 inch thick plywood recommended) to sustain the weight of insert.
4. If an optional liner will be installed, the side of the wood frame must be sturdy (3/4 inch thick plywood recommended).
5. It is recommended to install rear & front stud support (not included). Refer to Figure 3. The rear and front stud support is located 1-1/2" up from the base of the wood frame. For safety purposes, extra installation holes on the side of the insert are provided. Prepare the side stud support if needed.

### Liner Installation

6. The custom wood frame must have a sturdy base to accommodate the cut-out for the inset. The base must be recessed to accommodate the height of the liner (See liner dimension on Page 16)
7. Secure the liner to the bottom of the base using screws (not included) appropriate for the size and material of your wood frame.

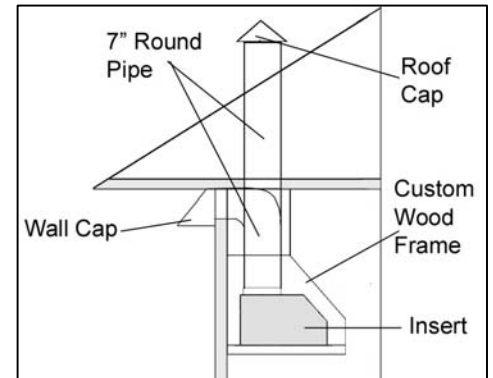


Figure 2

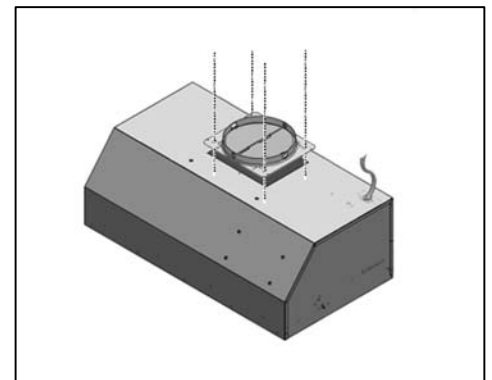
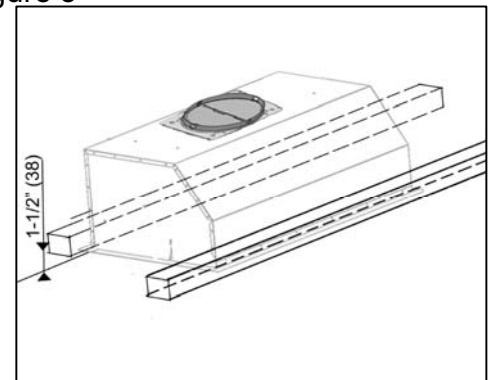
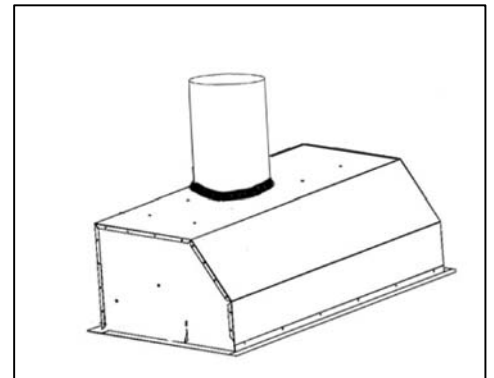


Figure 3



8. Liner is made up of two sections: a large, rear section with pre-cut for insert and a front section for a total adjustable depth between 23" and 25-3/4".
9. Position the rear section of the liner so that it aligns with the back edge of the custom wood frame. Use a pen to trace the outline of the pre-cut area. Remove the liner and proceed to Hood Preparation Before Installation.
10. Install the rear section of the liner with 6 screws (not included).
11. Install the front section of the liner with 3 screws (not included)
12. Proceed to Hood Installation on Page 8.

Figure 4



## Wiring to Power Supply

### **⚠ SAFETY WARNING**

**RISK OF ELECTRICAL SHOCK. THIS RANGE HOOD MUST BE PROPERLY GROUNDED. MAKE SURE THIS IS DONE BY QUALIFIED ELECTRICIAN IN ACCORDANCE WITH ALL APPLICABLE NATIONAL AND LOCAL ELECTRICAL CODES. BEFORE CONNECTING WIRES, SWITCH POWER OFF AT SERVICE PANEL AND LOCK SERVICE PANEL TO PREVENT POWER FROM BEING SWITCHED ON ACCIDENTALLY.**

13. Temporarily wire the hood to test for proper operation before installing. If the insert does not operate, check the circuit breaker or house fuse. If the insert is still not working, disconnect the power supply and check the continuity of all wiring connections.
14. Connect electrical wires.
15. Connect three wires (black, white and green) to house wires and cap with wire connectors. Connect wires according to their colors (i.e. black to black, white to white, and green to green).
16. Store wires in the wiring box.

Note: Connect all electrical wires before installing insert. DO NOT turn on the power until installation is complete.

## Duct Work Installation

17. Use 8" steel pipe (follow building codes in your area) to connect the ducting on the hood to the ductwork above. Use duct tape to seal and secure joints as shown in Figure 4.
18. Please refer to local codes for the usage of the damper (not included).

## Hood Preparation Before Installation

**⚠ CAUTION:** If moving the cooking range is necessary to install the hood, turn off the power in an electric range at the main electrical box. **SHUT OFF THE GAS BEFORE MOVING A GAS RANGE.**

19. Determine and mark the centerlines on the base of the wood frame where the insert will be installed.
20. Determine and make all necessary cuts in the wall or ceiling for the ductwork. Note: Install the ductwork before installing the insert.
21. Determine the proper location for the Power Supply Cable. Make a wiring access hole using a drill bit. Install the wire cable and seal the gap around hole.
22. Cut out the opening where the insert will be installed. (Figure 5)

## Hood Installation

NOTE: USE HAND TOOLS ONLY. DO NOT OVER TIGHTEN SCREWS. IT MIGHT CAUSED DAMAGED TO THE HOOD.

23. Remove 4 screws located at the bottom of the insert. (Fig. 6). Slowly remove the light support panel and unplug all the connections as shown in Fig. 7.
24. Install the hood casing support (provided in the screw package). Adjust the level of the locking mechanism according to the thickness of the base (3/4 thickness plywood recommended). Tighten the screws (included) to secure as shown in Fig. 8.
25. Install the insert inside the custom wood frame.
26. Install the insert using the rear and front mounting holes which are located at 1-1/2" (38mm) up from the insert base (Screws not included).
27. For a more secure installation, use the mounting holes located on the side of the insert
28. Make sure insert is secure before releasing.
29. Re-install the light support panel. (Do not over tighten screws.)

**⚠ CAUTION:** MAKE SURE HOOD IS SECURE BEFORE RELEASING.

Figure 5

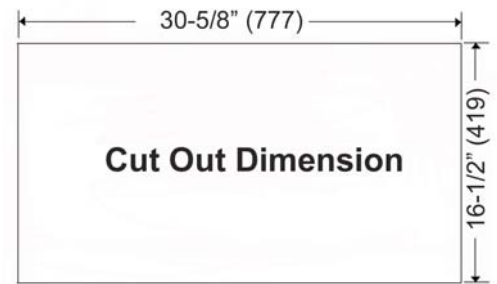


Figure 6

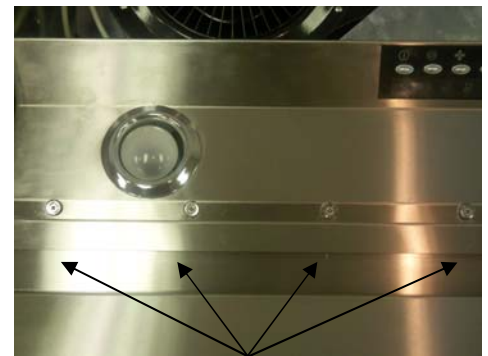


Figure 7

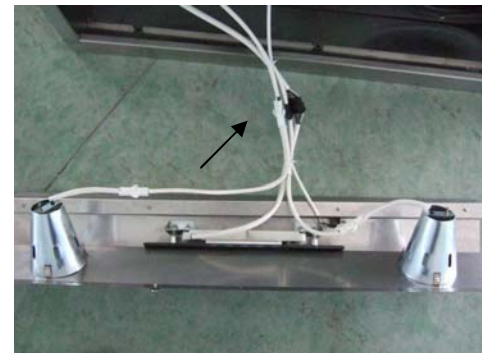
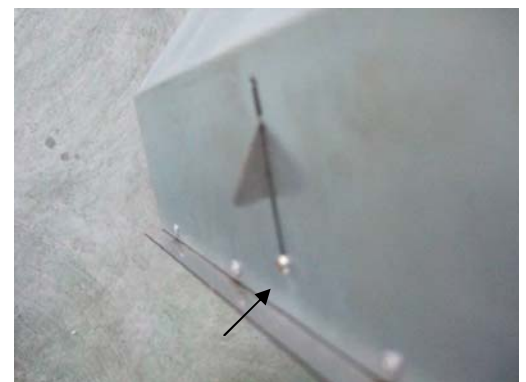


Figure 8



## Final Assembly

30. Install the oil tunnel into recess support near rear of hood. Refer to Figure 9.
31. Install Baffle filters. Angle baffle filter toward back of hood ①. Push baffle filter up until almost level ②. Slide forward into recess behind the front of hood ③. Lower baffle filter ④. Slide back until it fits into resting position ⑤. Refer to Figure 10.

Figure 9

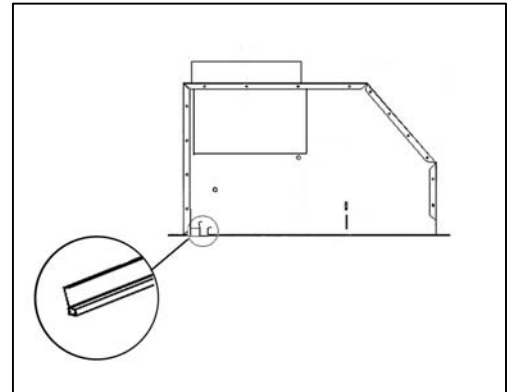
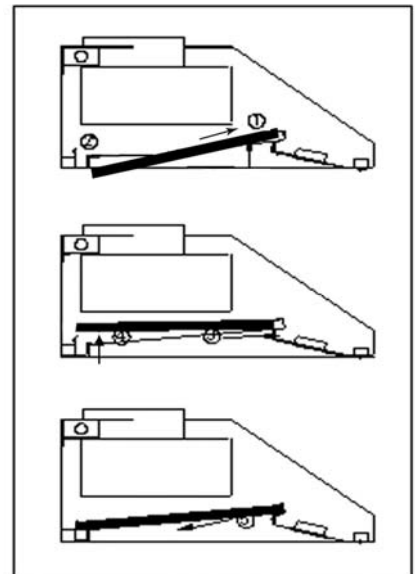


Figure 10



## OPERATING INSTRUCTIONS

This KOBE hood is equipped with five electronic push buttons with LED array, six electronic button wireless control, double horizontal centrifugal squirrel cage fan with stainless steel baffle filter, ISC (Integrated Sensor Control), two bright 120-volt 35-watt socket, and one oil tunnel.

The five control buttons are Power Control (On/Off), Speed Control (High, Medium, Low & QuietMode™), Auto Control, Timer Control and Light Control. Refer to Figure 11.

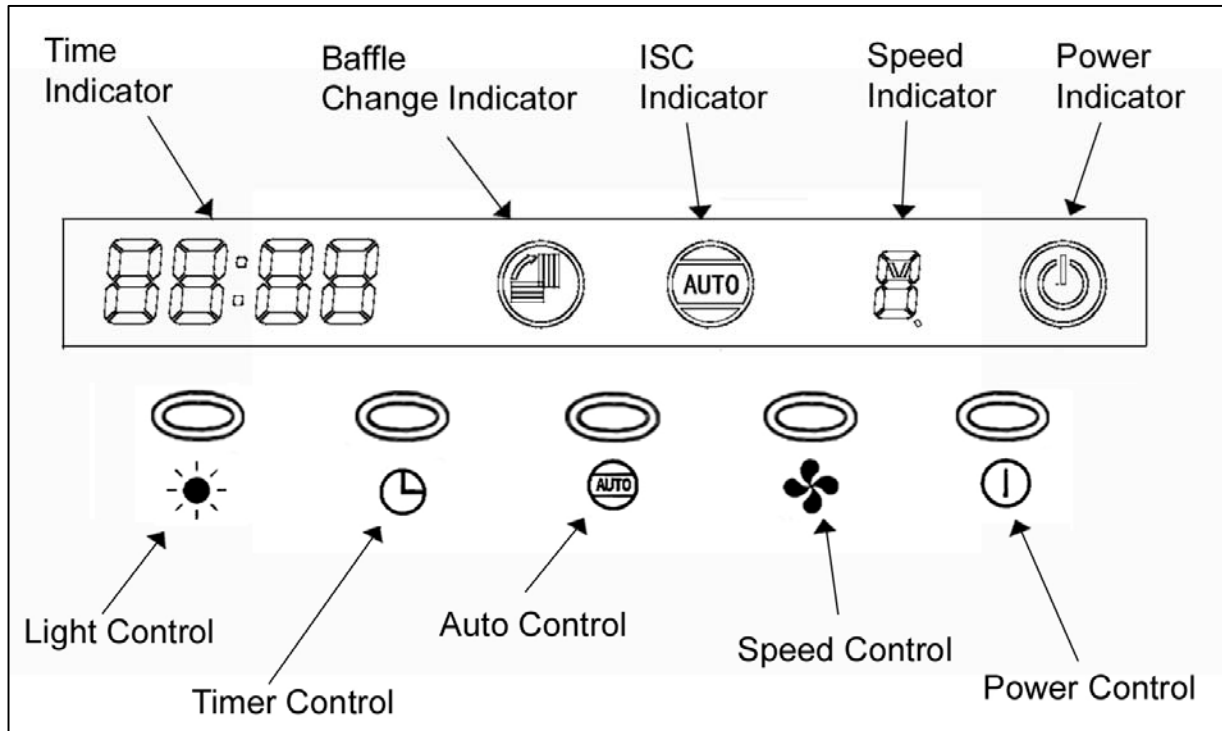


Figure 11

Note: For best results, turn hood to QuietMode™ prior to any preparation or cooking. Adjust speed as needed.

### Power Control

Press Power Control to turn On/Off the hood.





Output Display:



### Speed Control

(Each press of speed button will cycle the fan through High, Medium, Low, and QuietMode™.)

Output Display will indicate:

-  = QuietMode™ Speed
-  = Low Speed
-  = Medium Speed
-  = High Speed

### Auto Control

Press Auto Control to set the hood on auto sensor. When gas or fluctuating temperature\* is detected, hood will automatically turn ON. Fan will turn to its highest speed and will turn OFF until gas is eliminated and temperature is reduced down to room temperature. (\*Temperature: Higher than normal room temperature.)

Output Display:



### Light Control

(Lights are control separately from ON/OFF control. Turning power off will not turn lights off.)

Press Light control to turn lights ON.

(Each press of Light Control will cycle the light intensity through high, low, and off.)

### Timer Control


Press Timer Control to start timer.

Each press of Timer Control will increase by 1 minute on the display.

When Timer Control is pressed, fan will automatically shut off after set time. Timer range from 1 min. to 99 mins.

To clear the timer, press Timer Control twice.

### Baffle Change Indicator

The display  will indicate when baffle filter needs cleaning. Remove to clean the baffle filter.

(To purchase replacement filters, please contact your local KOBE dealer or call 626-350-1355)

The six control buttons for the wireless remote control are Power Control (On/Off), Light Control, Speed Controls (High, Medium, Low & QuietMode™), Timer Control and Auto Control. Refer to Figure 12.

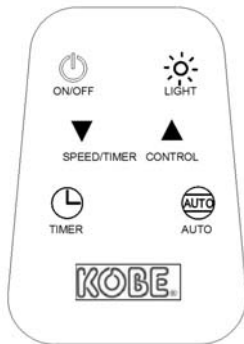


Fig. 12

#### Power Control

Press Power Control to turn On/Off the hood.

#### Light Control

(Lights are control separately from ON/OFF control. Turning power off will not turn lights off.)

Press Light control to turn lights ON.

(Each press of Light Control will cycle the light intensity through high, low, and off.)

#### Speed Control

Press the Speed control to activate the Fan. The KOBE hood will start on High speed. Each press of the Speed Control button will cycle through the various speeds.

Press ▼ to cycle from High, Medium, Low, and QuietMode™.

Press ▲ to cycle from High, QuietMode™, Low, and Medium.

#### Timer Control

Press Timer Control to activate Timer mode. The Timer Indicator on the display will flash.

If Speed/Timer Control button ( ▼ OR ▲ ) is not pressed within 6 seconds,

the unit will automatic exit the Timer mode. The ▼ ▲ arrow will switch to speed function control.

During the Timer mode, each press of ▼ will decrease the timer by 1 minute.

While each press of ▲ will increase the timer by 1 minute.

Once the timer is set, after 6 seconds, the Timer Indicator will stop flashing and fans will automatically shut off after set time.

#### Auto Control

Press Auto Control to activate the Integrated Sensor Control (ISC) feature.

## MAINTENANCE

For optimal performance, clean the range hood surface and baffles regularly.

### To Clean Hood Surface

**CAUTION: NEVER USE ABRASIVE CLEANERS, PADS, OR CLOTHS.**

\*\*\* Regular care will help preserve its fine appearance.

1. Use only mild soap or detergent solutions. Dry surfaces using soft cloth.
2. If hood looks splotchy (stainless steel hood), use a stainless steel cleaner to clean the surface of the hood. Avoid getting cleaning solution onto or into the control panel. Follow directions of the stainless steel cleaner. **Caution: Do not leave on too long as this may cause damage to hood finish.** Use soft towel to wipe off the cleaning solution, gently rub off any stubborn spots. Use dry soft towel to dry the hood.
3. DO NOT allow deposits to accumulate or remain on the hood.
4. DO NOT use ordinary steel wool or steel brushes. Small bits of steel may adhere to the surface and cause rusting.
5. DO NOT allow salt solutions, disinfectants, bleaches, or cleaning compounds to remain in contact with stainless steel for extended periods. Many of these compounds contain chemicals, which may be harmful. Rinse with water after exposure and wipe dry with a clean lint free cloth.

### To Clean Baffle Filter/Oil Tunnel

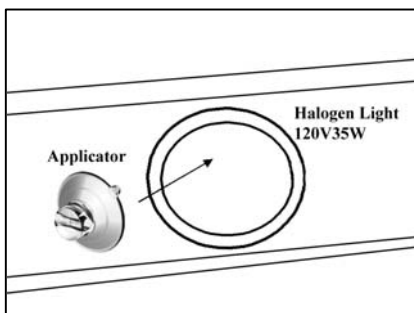
**CAUTION: DRAIN OIL FROM BAFFLE FILTER & OIL TUNNEL REGULARLY TO PREVENT OVERFLOW.**

1. Remove all the baffle filters and oil tunnel.
2. Using a sponge, wash with warm soapy water. Dry completely before returning into place.  
(Note: Baffle Filters are top rack dishwasher safe.)

### To Replace Light Bulb

**⚠ CAUTION: HALOGEN LIGHT UNIT MAY BE HOT! WAIT UNTIL UNIT IS COOL.**

**NOTE: DO NOT TOUCH HALOGEN LIGHT WITH BARE HANDS, WHICH MIGHT CAUSE OVER HEAT AND SHORTEN THE LIFE OF LIGHT BULBS.**



1. Apply the applicator onto the halogen light fixture and turn clockwise to release the fixture.



## SPECIFICATIONS

MODEL / SIZE	IN2636SQB-1			
COLOR	18-Gauge Commercial Stainless Steel			
CONSUMPTION / AMPERE	290W / 2.5A			
VOLTAGE	120V 60Hz			
NUMBER OF MOTORS	1			
FAN TYPE: CENTRIFUGAL	Double Horizontal Squirrel Cage			
EXHAUST	Top 8" Round with Damper			
CONTROLS	5 Push-Button with LED Array 6 Button Wireless Remote - Variable Delay Shutoff			
HALOGEN LIGHTS	120V 35W Max. x 2			
HOOD DIMENSION (W X D X H)	32-9/16" x 18-1/2" x 10-9/16"			
OPTIONAL ACCESSORIES (W X D X H)	2 Piece Adjustable Liner Model No.: INL36252A (36" x 23" to 25" x 3") Model No.: INL42252A (42" x 23" to 25" x 3") Model No.: INL48252A (48" x 23" to 25" x 3")			
HOOD WEIGHT (lbs)		<u>Net</u>	<u>Gross</u>	
	IN2636SQB-1	51	63	
Blower Air Capacity (cfm)	QuietMode™	Low	Medium	High
	250	460	560	700
Sone*	1.3	3.5	5.0	6.0
dB	44.6	58.0	63.5	66.0

\* One Sone is equivalent to 40 decibels.

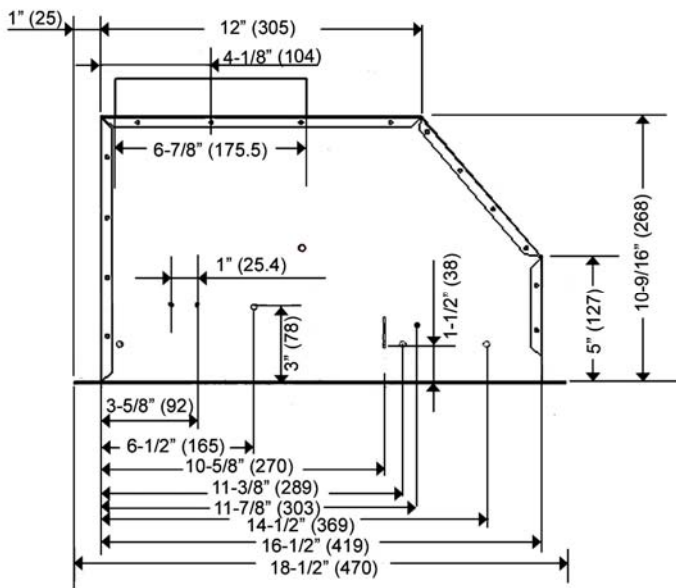
\*\*Specifications subject to change without notice.

# MEASUREMENTS & DIAGRAMS

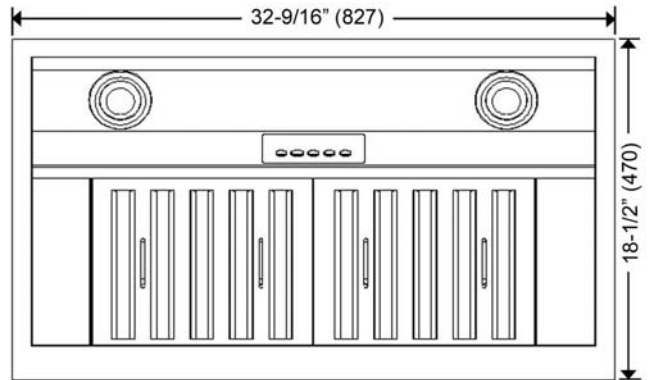
- ◆ All ( ) are in millimeter.
- ◆ All inch measurements are converted from millimeters. Inch measurements are estimated.

MODEL NO: IN2636SQB-1

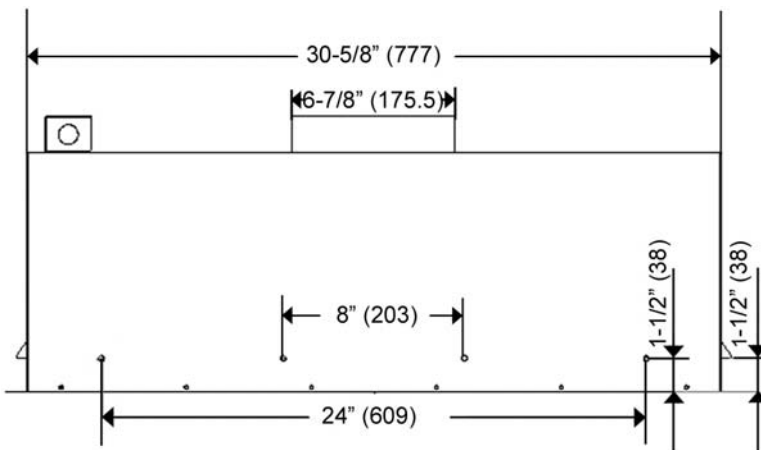
**Side View**



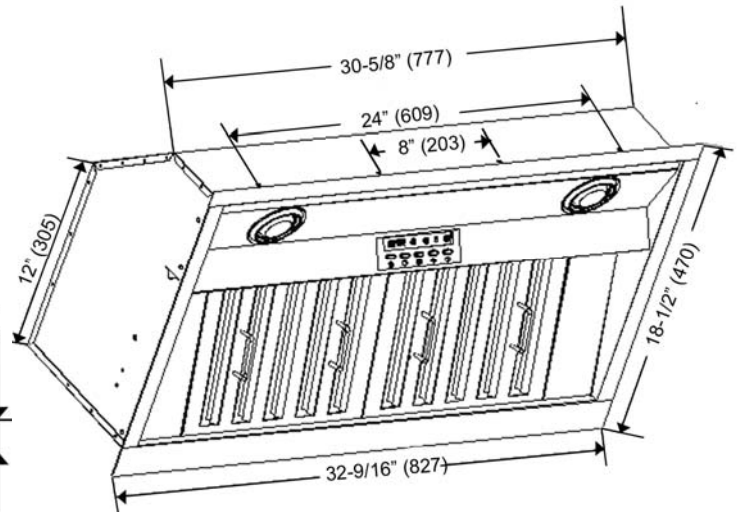
**Bottom View**



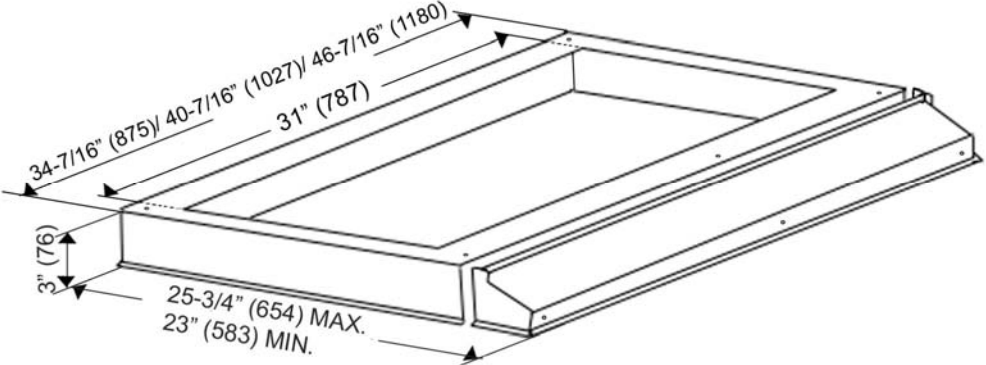
**Back View**



**Front View**



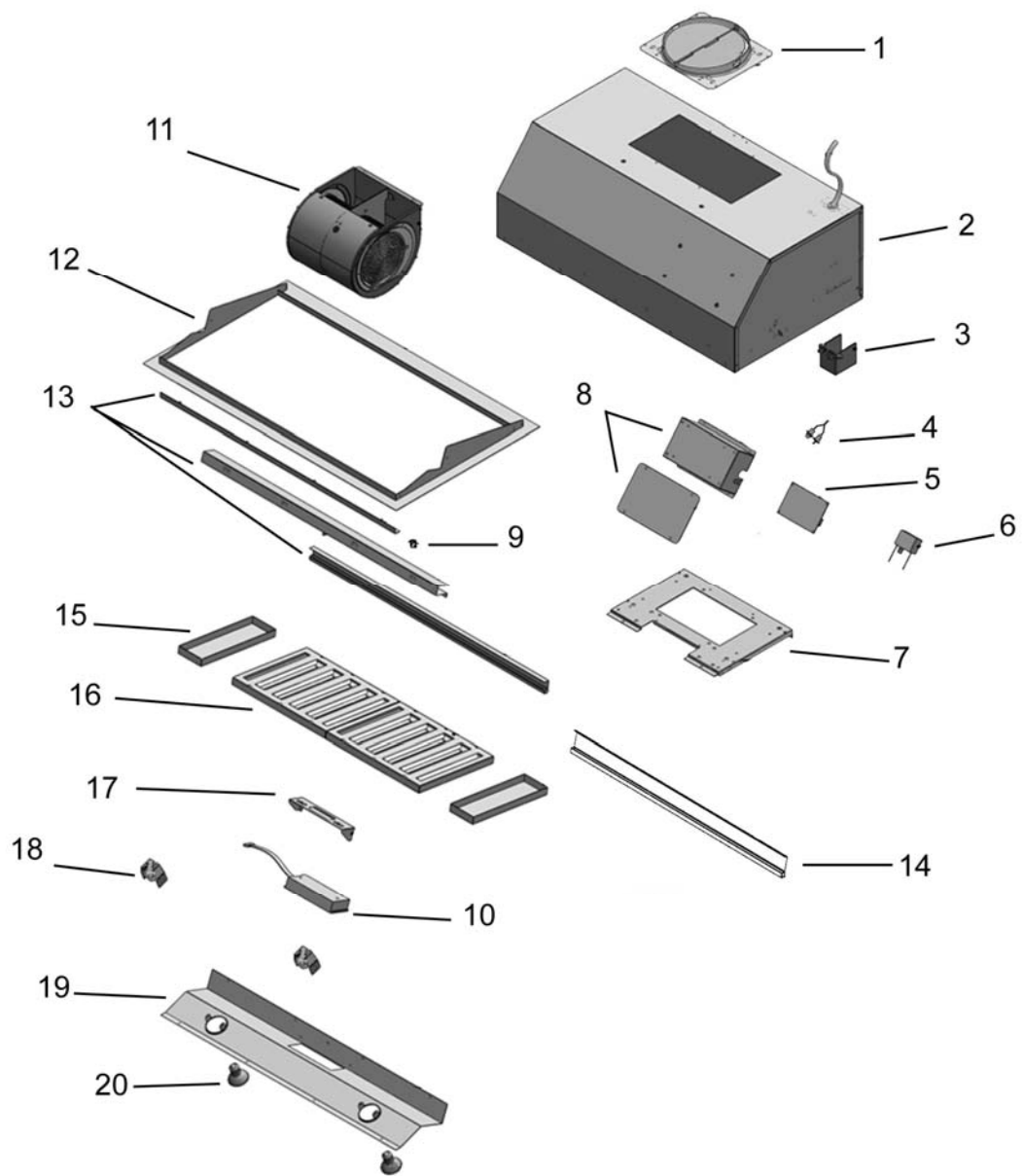
**Stainless Steel Liner (Sold Separately)**  
**Model No. INL36252A**  
**Model No. INL42252A**  
**Model No. INL48252A**



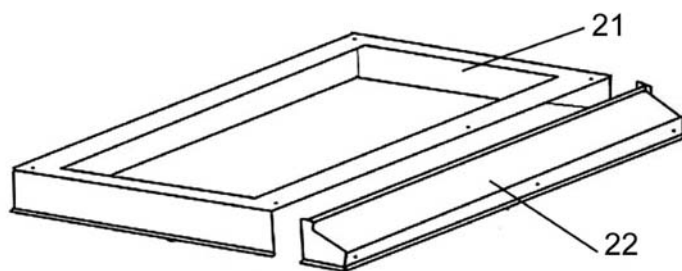
## PARTS LIST

**MODEL NO: IN2636SQB-1**

<b>NO.</b>	<b>DESCRIPTION</b>	<b>MODEL/SIZE</b>	<b>PART NO.</b>
1	Exhaust Plate		XP26618 / GP056010
2	Hood Casing		GP054710
3	Wiring Box		XP14441
4	ISC		IN2636-100-01
5	Processor Board		IN2636-101-01
6	Capacitor		XP22420
7	Support Panel		GP055807
8	Processor Board Box		GP055607 / GP055707
9	Indicator Sensor		IN2636-102-01
10	Control Unit		IN2636-103-01
11	Blower System		MT023
12	Bottom Casing		GP054806
13	Baffle Filter Support		GP055006 / Q0192 / GP055106
14	Oil Tunnel		IN2636-104-01
15	Stainless Steel Spacer		GP055206
16	Baffle Filter		Q0193
17	Control Unit Support		GP055507
18	Light Socket		XP26624
19	Light Panel		GP054906
20	Halogen Light bulb		XP27401
<b>Optional Liner (Sold Separately)</b>			
21	Rear Liner Section	INL36252A	IN2636-12-01
		INL42252A	IN2636-13-01
		INL48252A	IN2636-14-01
22	Front Liner Section	INL36252A	IN2636-1202
		INL42252A	IN2636-13-02
		INL48252A	IN2636-14-01

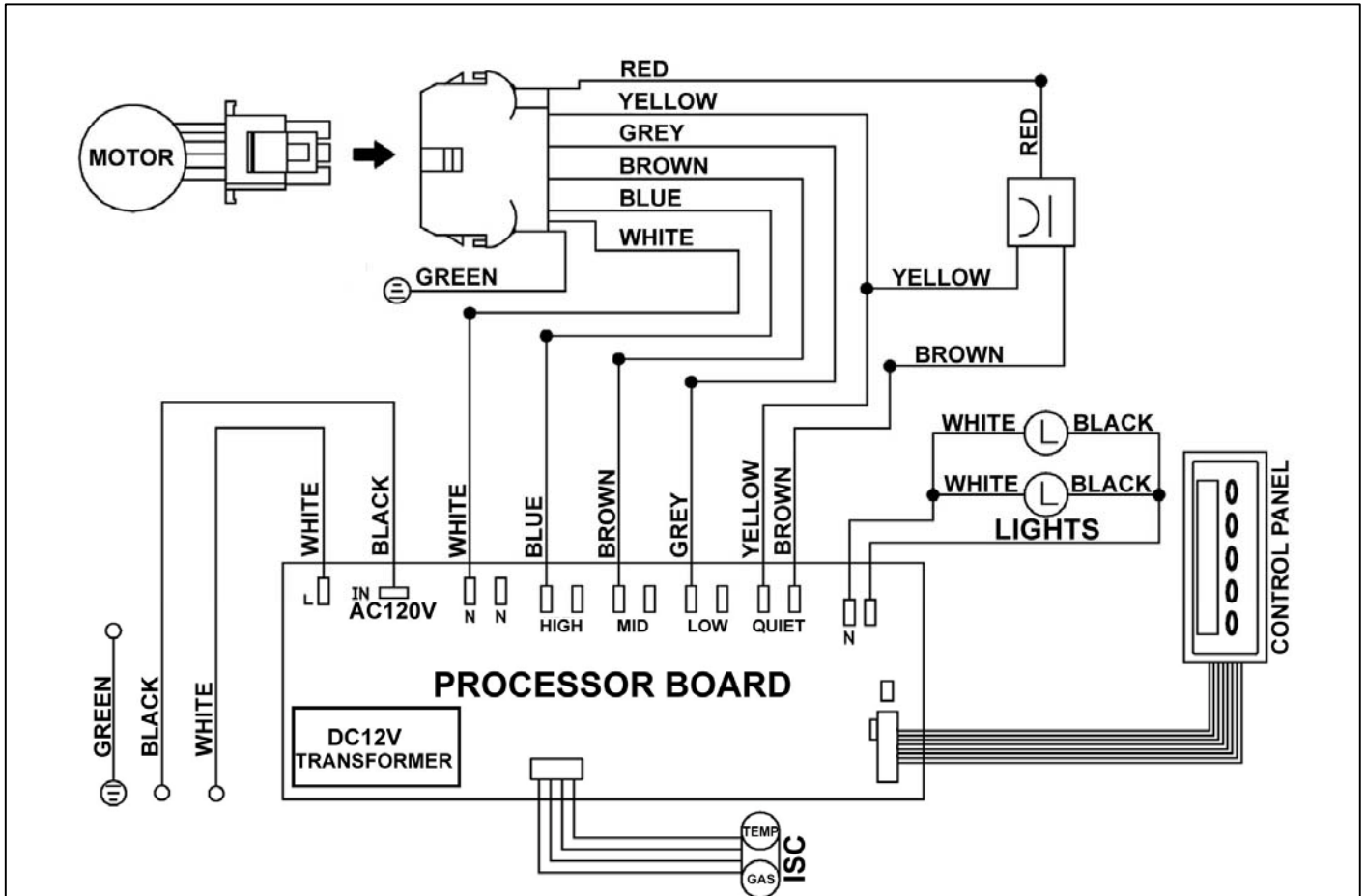


Optional Liner (Sold Separately)



# CIRCUIT DIAGRAM

MODEL NO.: IN2636SQB-1



## TROUBLE SHOOTING

Issue	Possible Cause	Solution
After Installation, both motors and lights are not working.	The power is not on.	Make sure the circuit breaker and the unit's power is ON. Use a voltage meter to check the power supply.
	The wire connection is not secure.	Check and tighten wire connection.
	The control panel and processor board wiring are disconnected.	Check wire continuity from control panel to processor board.
	The motor transformer is defective.	Check the power input and power output on the motor transformer. If it's needed, replace the motor transformer.
	The control panel and processor board is defective.	Replace the control panel or processor board.
Lights are working, but motor(s) is not.	The motor(s) is defective.	Replace the motor.
	The capacitor(s) is defective.	Replace capacitor(s).
	The control panel or processor board is defective.	Replace the control panel or processing board.
The range hood is vibrating.	The blower system is not secure.	Tighten the turbine impeller/squirrel cage and air chamber.
	The turbine impeller/squirrel cage is not balanced.	Replace the turbine impeller/squirrel cage.
	Hood is not secured in place.	Check the installation of hood, tighten the mounting bracket.
The range hood is not venting out correctly.	The range hood is installed outside of the manufacture recommended clearance.	Adjust the clearance between the range hoods and cook top to 27" to 30". For Island range hood, the clearance between the range hoods and cook top is 30" to 36".
	There is no make-up air inside the house.	Open the window to enhance the performance of the range hood by creating a sufficient make-up air.
	Obstacle blocking the pipe work.	Remove all obstacles from the duct work.
	The pipe size is smaller than the suggested pipe size.	Change the ducting according to the manufacture suggestion.
Cold air is coming into the home.	The pipe connection is not properly sealed.	Check the pipe installation.
	The damper is not properly installed or is missing from the installation.	Check the damper installation.
	The damper is not installed.	By installing the damper, it will help to eliminate air backflow.

## DISCLAIMER

1. **CAREFULLY INSPECT ALL ITEMS FOR DAMAGES BEFORE ACCEPTING DELIVERY. NOTE ANY DAMAGES ON THE FREIGHT BILL OR EXPRESS RECEIPT. REQUEST NAME AND SIGNATURE OF THE CARRIER'S AGENT AND KEEP COPY TO SUPPORT YOUR CLAIM.**

Upon acceptance of items, owner assumes responsibility for its safe arrival. Report damages to the carrier and file a claim immediately. Failure to do so may result in the denial of your claim. The carrier will furnish you with necessary forms for filing a claim.

**DAMAGES CAUSED DURING TRANSIT ARE NOT COVERED UNDER OUR WARRANTY.**

2. **PLEASE INSPECT CONTENTS OF PACKAGE(S) CAREFULLY UPON RECEIVING!**  
We must be notified in writing of any damages and/or missing parts within the allocated days upon your receipt of package(s). Contact your local KOBE dealer or distributor or call KOBE for the time limit.  
**CLAIMS WILL NOT BE ACCEPTED AFTER THE ALLOCATED DAYS.**  
NOTE: ITEMS WERE THOROUGHLY TESTED AND CAREFULLY PACKED IN OUR FACTORY BEFORE SHIPPING.

3. Products must be returned in good working condition with ALL original parts and documentation packed in ALL original cartons, fillers and shipping cartons. A restocking fee of 25% will be charged for all approved return(s).  
**EXCHANGES OR RETURNS MAY NOT BE ACCEPTED IF ANY PACKAGING IS MISSING.**
4. **MAKE SURE TO INSPECT THE HOOD FOR DAMAGES AND DEFECTS BEFORE INSTALLATION.** Appearance flaws of the hood found after installation and not affecting hood performance is not covered under our warranty for returns or exchanges. Service visits not covered under warranty will carry a service charge.

- A) Before Installation: Return for exchange or refund (please see above for acceptable returns).
- B) After Installation: **NO** exchange or refund.



# WARRANTY

## WARRANTY CERTIFICATE

KOBE Range Hoods, warrants all products manufactured or supplied by it to be free from defects in workmanship and materials. Its obligations pursuant to this warranty are limited to a period of two years from the date of purchase and to the repair or replacement at its option and subject to the terms and conditions stated below, of any component part, which its examination shall disclose to be so defective.

### TWO-YEAR WARRANTY SERVICE PERIOD

Any covered failure occurring within two years of original purchase arising from defective workmanship or material in manufacture will be repaired (or at our discretion, replaced) free of charge by an authorized KOBE Range Hoods Agent or KOBE Range Hoods as applicable. Keep proof of purchase (or original invoice) handy for inspection.

If the range hood is sold by the original purchaser during the warranty period the new owner is protected until expiration of the original purchaser's warranty.

### CONDITIONS

The following conditions apply only in relation to the warranty expressly given in this certificate.

- 1) This warranty applies only:
  - a) within U.S.A. and Canada.
  - b) to range hoods used for PRIVATE SINGLE FAMILY USE (if used for COMMERCIAL or MULTIPLE FAMILY USE or other purposes, warranty will be voided).
- 2) Repair of any fault to be provided under this warranty shall not be provided:
  - a) if the identification number attached to the range hood has been altered, rendered illegible or removed;
  - b) if notice of the defect has not been given within the period applicable;
  - c) for failure of light bulbs or heat lamps;
  - d) for physical damage;
  - e) for surfaces damaged by use of improper chemical cleaning agents;
  - f) if the appliance has been:
    - i) subject to misuse, abuse, negligence, accident, incorrect installation or failure to follow the operating instructions;
    - ii) connected to improper, inadequate or faulty electricity service or exhaust ducts, flues or duct cover, or operated using incorrect or contaminated lubricants;
    - iii) installed, maintained or operated otherwise than in accordance with the instructions furnished by KOBE Range Hoods including the improper use of detergents, bleaches, or cleaners.
  - g) for damage to range hood during transit, delivery, installation or removal;
  - h) for damage by or resulting from attempted repairs conducted by anyone other than our Authorized Service Agent.
  - i) noise or vibration caused by improper installation of range hood and/or damper.

- 3) The purchaser shall be responsible for any expenses involved in making the range hood readily accessible for servicing and where the range hood is installed outside the main sales territory of the retailer or service territory of the nearest approved KOBE Range Hoods Agent as applicable, for any traveling expenses and any costs of transporting the range hood or parts thereof to and from the dealer or Service Agent
- 4) The purchaser must produce proof of purchase together with this warranty certificate when making the claim.
- 5) Damages caused during shipment are not covered under our warranty.

### **CONSEQUENTIAL DAMAGE**

The warrantor is not responsible for any consequential damage. SOME STATES DO NOT ALLOW THE EXCLUSION OF CONSEQUENTIAL DAMAGE SO THE ABOVE EXCLUSION MAY NOT APPLY TO YOU.

### **IMPLIED WARRANTIES/STATE LAW**

Any implied warranties, including the implied warranty of merchantability and fitness for purpose, imposed on the sale by the laws of the state of sale are limited to two year from the date of original purchase. Some states do not allow limitations on the duration of implied warranties. This warranty gives you specific legal rights; you may have other rights, which vary from state to state.

### **SERVICE**

For service contact:

KOBE Range Hoods  
11775 Clark Street  
Arcadia, CA 91006  
U.S.A.  
Tel: (626) 775-8880  
Email: [customer.service@KOBERangeHoods.com](mailto:customer.service@KOBERangeHoods.com)  
Website: [www.KOBERangeHoods.com](http://www.KOBERangeHoods.com)

## PRODUCT REGISTRATION

### Register Your Product!

Any covered failure occurring within two years of original purchase arising from defective workmanship or material in manufacture will be repaired or at our option the unit will be replaced free of charge by an authorized KOBE Range Hoods Agent or KOBE Range Hoods as applicable. Keep proof of purchase (original invoice) handy for inspection.

If the range hood is sold by the original purchaser during the warranty period the new owner is protected until expiration of the original purchaser's warranty. See warranty section for complete warranty coverage information.

This appliance has been manufactured, tested, and inspected to the standards required by KOBE Range Hoods.

### PLEASE MAIL IN YOUR WARRANTY REGISTRATION CARD AND PROOF OF PURCHASE TO:

KOBE Range Hoods  
Warranty Registration  
11775 Clark Street  
Arcadia, CA 91006  
U.S.A.

### RECORD THE FOLLOWING INFORMATION FOR YOUR RECORD:

Model No. \_\_\_\_\_

Serial No. \_\_\_\_\_

Purchased Date \_\_\_\_ / \_\_\_\_ / \_\_\_\_

Purchased From:

\_\_\_\_\_

\_\_\_\_\_

\_\_\_\_\_

**IMPORTANT: PLEASE KEEP A COPY OF YOUR SALE RECEIPT OR INVOICE HANDY WHEN REQUESTING FOR SERVICE.**

## [FRENCH]

- LIRE ET CONSERVER CES INSTRUCTIONS -

CONSIGNES DE SÉCURITÉ IMPORTANTES.....	26
CONTENU DE L'EMBALLAGE .....	28
INSTALLATION.....	29
MODE D'EMPLOI.....	34
ENTRETIEN PRÉVENTIF .....	37
SPECIFICATIONS .....	38
MESURES ET SCHÉMAS .....	39
LISTE DES PIÈCES.....	41
SCHÉMA DE CÂBLAGE .....	43
TROUBLE SHOOTING .....	44
AVIS DE NON-RESPONSABILITÉ .....	45
GARANTIE .....	46
ENREGISTREMENT DU PRODUIT.....	48

-LIRE ATTENTIVEMENT TOUTES LES CONSIGNES AVANT DE  
COMMENCER-

TOUT LE CÂBLAGE ÉLECTRIQUE DOIT ÊTRE EFFECTUÉ  
PAR UN PROFESSIONNEL EN CONFORMITÉ AVEC LES CODES  
D'ÉLECTRICITÉ LOCAUX ET NATIONAUX



## CONSIGNES DE SÉCURITÉ IMPORTANTES

- SVP LIRE CETTE SECTION ATTENTIVEMENT AVANT L'INSTALLATION -

### **⚠️ AVERTISSEMENT : AFIN DE RÉDUIRE LES RISQUES D'INCENDIE, DE CHOC ÉLECTRIQUE ET DE BLESSURES, RESPECTER LES CONSIGNES SUIVANTES :**

- 1) L'installation et le câblage électrique doivent être effectués par des techniciens qualifiés et en conformité avec tous les codes et toutes les normes qui s'appliquent même pour les constructions ignifugées.
- 2) Lorsque vous découpez ou percez un mur ou un plafond, prendre soin de ne pas endommager le filage électrique ou autres conduits cachés.
- 3) Les hottes à évacuation doivent être évacuées à l'extérieur.
  - a) Avant une réparation, un entretien préventif ou un nettoyage, ouvrir le panneau de la lumière et **COUPER LE COURANT ÉLECTRIQUE SUR LE TABLEAU DE DISTRIBUTION.**
  - b) Nettoyer le ventilateur, le filtre optionnel et les surfaces chargées de graisse fréquemment. Afin de réduire les risques d'incendie et afin de disperser l'air adéquatement, évacuer l'air à l'extérieur. **NE PAS** ventiler l'air d'évacuation dans les murs, les greniers, les vides sanitaires ou les garages.

NOTE - La garantie de cet appareil sera nulle sans le reçu d'un distributeur autorisé de KOBE ou si l'appareil est endommagé par une utilisation inadéquate, une installation déficiente, un usage inapproprié, un mauvais traitement, de la négligence ou par toute autre circonstance échappant au contrôle des distributeurs autorisés de KOBE. Toute réparation effectuée sans la supervision d'un agent autorisé de KOBE annulera automatiquement la garantie.

- KOBE se dégage de toute responsabilité face à des dommages à la propriété personnelle ou aux biens immeubles ou encore à des blessures corporelles causées directement ou indirectement par la hotte de cuisinière.

### **⚠️ AVERTISSEMENT : AFIN DE RÉDUIRE LES RISQUES DE BLESSURES CORPORELLES DANS L'ÉVENTUALITÉ D'UN INCENDIE DE GRAISSE SE DÉCLARANT SOUS LA HOTTE DE CUISINIÈRE :**

1. Tenir toujours propres le ventilateur, les filtres déflecteurs, s'il y en a, et les surfaces chargées de graisse.
2. Toujours faire fonctionner la hotte lors d'une cuisson à température élevée.
3. Utiliser les vitesses élevées de la hotte **UNIQUEMENT** lorsque nécessaire. Chauffer l'huile lentement aux réglages de basses ou de moyennes vitesses.
4. Ne pas laisser la cuisinière sans surveillance lors de la cuisson.
5. Toujours utiliser les articles de cuisson et les ustensiles appropriés au type et à la quantité d'aliments préparés.
6. Utiliser l'appareil seulement pour l'usage auquel le fabricant l'a destiné.
7. Avant l'entretien courant, couper l'alimentation électrique au tableau de distribution principal et verrouiller ce dernier (si possible) pour éviter une mise en marche accidentelle.
8. Nettoyer les ventilateurs fréquemment.

### Que faire en cas d'un incendie de graisse sur la cuisinière

- ÉTOUFFER LES FLAMMES à l'aide d'un couvercle hermétique, une plaque à biscuits ou un plateau métallique, puis fermer le rond ou le brûleur. GARDER LES MATÉRIAUX INFLAMMABLES OU COMBUSTIBLES LOIN DES FLAMMES. Si les flammes ne s'éteignent pas immédiatement, ÉVACUER LA ZONE ET APPELER LE SERVICE D'INCENDIE ou le 911.
- NE JAMAIS SOULEVER UNE CASSEROLE EN **FEU** - Il y a risque de brûlure.
- NE PAS UTILISER D'EAU incluant serviettes ou linges à vaisselle mouillés - cela provoquerait un violent jet de vapeur.
- Utiliser un extincteur SEULEMENT si:
  - a) vous possédez un extincteur de classe A, B ou C et si vous savez vous en servir ;
  - b) le feu est petit et est contenu dans la zone de départ ;
  - c) vous avez appelé le service d'incendie ;
  - d) vous pouvez combattre le feu le dos près d'une sortie.

### Que faire si une odeur de gaz se dégage

- Éteindre toute flamme nue.
- Ne pas essayer d'allumer des lumières ou tout type d'appareil électroménager.
- Ouvrir toutes les portes et fenêtres afin de chasser le gaz. Si une odeur de gaz est toujours perceptible, appeler votre fournisseur de gaz ainsi que le service d'incendie immédiatement.

### **⚠ ATTENTION !**

- 1) Cette hotte doit être utilisée uniquement pour une ventilation normale. Ne pas s'en servir pour évacuer des substances et vapeurs dangereuses ou explosives.
- 2) Afin de réduire les risques d'incendie, employer seulement des conduits de métal. Il doit y avoir suffisamment d'air pour une combustion et une évacuation des gaz appropriées par le conduit de fumée (cheminée) afin d'éviter le refoulement d'air.
- 3) Suivre les directives et les consignes de sécurité des fabricants d'équipement de chauffage comme celles publiées par le *National Fire Protection Association (NFPA)* et l'*American Society for Heating, Refrigeration and Air Conditioning Engineers (ASHRAE)* de même que les codes en vigueur.
- 4) L'activation de tout interrupteur peut provoquer l'allumage ou une explosion.
- 5) En raison de la taille et du poids de la hotte, il est recommandé que deux personnes participent à l'installation.

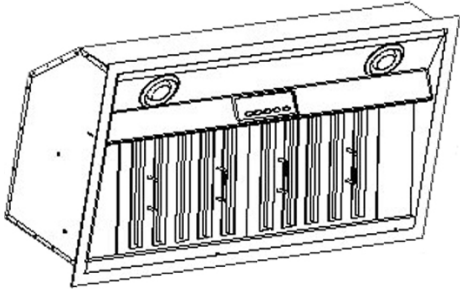

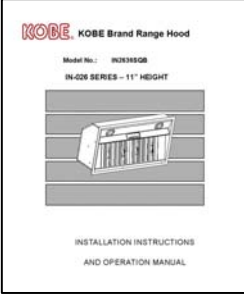



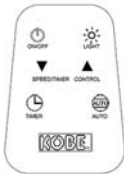

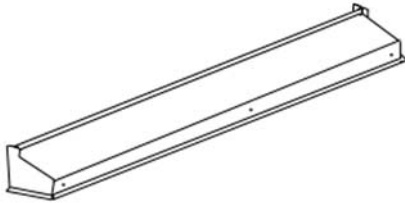
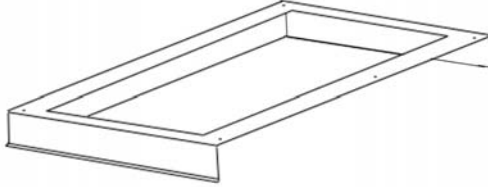
#### **⚠ AVERTISSEMENT**



**RISQUE DE CHOC ÉLECTRIQUE -** Pouvant entraîner la mort ou des blessures graves. Couper l'alimentation électrique à l'appareil avant tout entretien ou toute réparation. Si la hotte est munie d'une ampoule fluorescente, cette dernière contient une petite quantité de mercure et, en conséquence, elle doit être recyclée ou éliminée conformément aux codes locaux, provinciaux et fédéraux qui s'appliquent

## CONTENU DE L'EMBALLAGE

(Pour tout retour ou remboursement, conserver tout le matériel ainsi que l'emballage d'origine)

Boîte de la hotte de cuisinière	
<p>{A} Hotte de cuisinière KOBE                      {B} Certificat de garantie                      {C} Notice d'installation et mode d'emploi                      {D} Filtre déflecteur – 2                      {E} Récipient à graisse – 1                      {F} Ensemble de poignées et de vis – 1                      {G} Commande sans fil – 1                      {H} Plaque en plastique – 1</p> <p>{A}</p>  <p>{B}</p>  <p>{C}</p>  <p>{D}</p>  <p>{E}</p>  <p>{F}</p>  <p>{G}</p> 	<p>{H}</p>  <p><b>Revêtement (vendu séparément)</b></p> <p>{I} Section avant du revêtement                      {J} Section arrière du revêtement</p> <p>{I}</p>  <p>{J}</p> 

- POUR DE PLUS AMPLES RENSEIGNEMENTS, VEUILLEZ VISITER NOTRE SITE WEB [www.KOBERangeHoods.com](http://www.KOBERangeHoods.com) OU COMMUNIQUER AVEC KOBE RANGE HOODS AU (626) 775-8880.

## INSTALLATION

VEUILLEZ LIRE LES INSTRUCTIONS AU COMPLET AVANT L'INSTALLATION

### Prise de mesures avant l'installation

Pour calculer les mesures, veuillez vous référer au TABLEAU 1. (Toutes les mesures sont données en pouces).

#### - HOTTE INSTALLÉE SOUS UNE ARMOIRE -

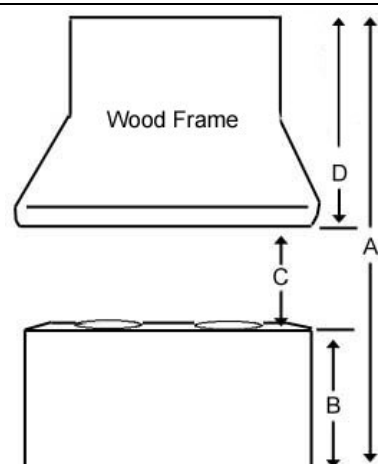
##### TABLEAU 1

A = Hauteur entre le plancher et le plafond

B = Hauteur entre le plancher et le plan de travail

**C = Hauteur désirée entre le plan de travail et le dessous de la hotte (Dégagement minimum : de 27 à 30 po)**

D = Hauteur du cadre en bois



### **⚠️ CONSIGNES DE SÉCURITÉ**

LES HOTTES PEUVENT AVOIR DES BORDS TRÈS TRANCHANTS; VEUILLEZ PORTER DES GANTS DE PROTECTION, SI NÉCESSAIRE, POUR RETIRER DES PIÈCES LORS DE L'INSTALLATION, DU NETTOYAGE, DE L'ENTRETIEN ET DES RÉPARATIONS.

**NOTE :** FAIRE PREUVE DE PRÉCAUTION EN UTILISANT UN TOURNEVIS ÉLECTRIQUE PUISQUE CE DERNIER RISQUE D'ENDOMMAGER LA HOTTE.



## - Installation de l'insert -

### Préparation avant l'installation

NOTE : AFIN DE PRÉVENIR TOUT DOMMAGE À LA HOTTE, IL FAUT EMPÊCHER LES DÉBRIS DE PÉNÉTRER DANS L'OUVERTURE DE VENTILATION.

- Choisir l'emplacement du conduit de ventilation de la hotte à l'extérieur. Voir la Photo 1.
- Un conduit court et droit permet de maximiser le rendement de la hotte.
- Essayer d'éviter autant que possible les raccords, les coudes et les longues sections de conduit, puisque ceux-ci peuvent réduire le rendement de la hotte.
- Avant de l'installer, brancher temporairement la hotte pour vérifier si son fonctionnement est adéquat.
- **Important : Enlever la pellicule protectrice de la hotte, s'il y a lieu.**
- Utiliser du ruban adhésif entoilé pour sceller les raccords entre les sections de tuyau.

**⚠ AVERTISSEMENT:** S'il faut déplacer la cuisinière électrique pour installer la hotte, couper d'abord l'alimentation électrique à cette cuisinière par le panneau de service. **COUPER LE GAZ AVANT DE DÉPLACER UNE CUISINIÈRE À GAZ.** Utiliser également un revêtement protecteur pour protéger la surface de cuisson et/ou le revêtement de comptoir.

### Préparation de la hotte sur mesure

1. Le cadre sur mesure pour la hotte doit être dimensionné selon la taille et le poids de l'insert. Voir les mesures et schémas à la Page 39.
2. Installer la plaque en plastique à l'aide de 4 vis. Voir la Photo 2.
3. La base doit être robuste (contreplaqué d'une épaisseur de 1/2 de pouce) pour soutenir le poids de l'insert.
4. Si un revêtement supplémentaire est installé, les côtés du cadre en bois doivent être robustes (contreplaqué d'une épaisseur de 1/2 de pouce recommandé).
5. Il est recommandé d'installer des poteaux de support arrière et avant. Voir la Photo 3. Les poteaux de support arrière et avant sont installés à 1-1/2 po au-dessus de la base du cadre en bois. Par mesures de sécurité, des trous supplémentaires sur les côtés de l'insert sont prévus. Si nécessaire, installer des poteaux sur les côtés.

### Installation du revêtement

6. La base du cadre en bois sur mesure doit être robuste afin de tenir compte du découpage pour l'insert. La base doit être encastrée tout en considérant la hauteur du revêtement (Voir les dimensions du revêtement à la Page 40).

Photo 1

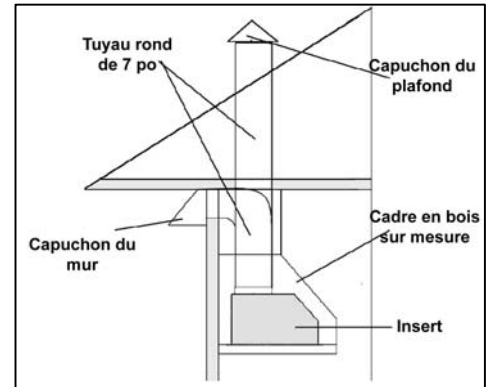


Photo 2

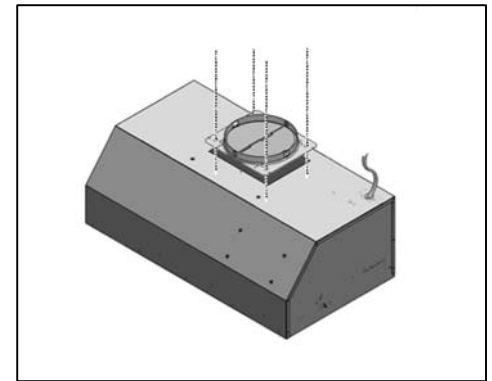
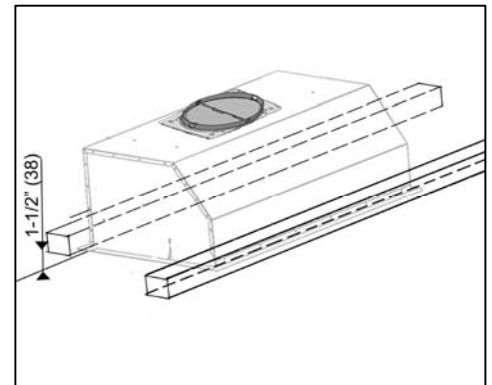
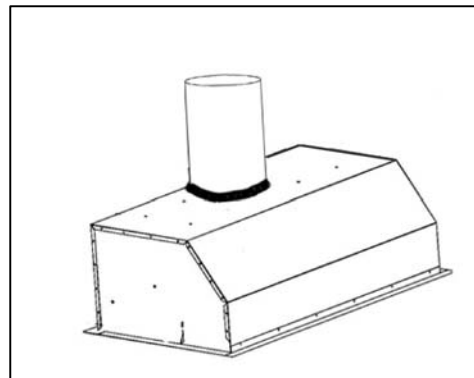


Photo 3



7. Fixer solidement le revêtement au bas de la base à l'aide des vis (non comprises) appropriées à la taille et matériaux de votre cadre en bois.
8. Le revêtement est divisé en deux sections: une section arrière large composée de deux éléments préfabriqués pour les inserts et d'une section avant dont la profondeur totale est ajustable entre 23 po et 25-3/4 po.
9. Positionner la section arrière du revêtement afin qu'elle soit alignée au dos du cadre en bois sur mesure. Utiliser un stylo pour tracer les lignes de la section prédécoupée. Retirer le revêtement et poursuivre à la « Préparation de la hotte avant l'installation ».
10. Installer la section arrière du revêtement à l'aide de 6 vis (non comprises).
11. Installer la section avant du revêtement à l'aide de 3 vis (non comprises).
12. Poursuivre à « Installation de la hotte » à la Page 32.

Photo 4



### Branchement à l'alimentation électrique

#### **⚠️ CONSIGNES DE SÉCURITÉ**

**RISQUE DE CHOC ÉLECTRIQUE. CETTE HOTTE DE CUISINIÈRE DOIT ÊTRE MISE À LA TERRE ADÉQUATEMENT. CE TRAVAIL DOIT ÊTRE EXÉCUTÉ PAR UN ÉLECTRICIEN PROFESSIONNEL EN CONFORMITÉ AVEC TOUS LES CODES D'ÉLECTRICITÉ LOCAUX ET NATIONAUX QUI S'APPLIQUENT. AVANT DE BRANCHER LES FILS, COUPER LE COURANT ÉLECTRIQUE AU PANNEAU DE SERVICE ET VERROUILLER CE DERNIER POUR ÉVITER QUE LE COURANT SOIT REMIS ACCIDENTELLEMENT**

13. Avant l'installation, raccorder temporairement la hotte pour vérifier son bon fonctionnement. Si l'insert ne fonctionne pas, vérifier les disjoncteurs ou les fusibles de la maison. Si l'insert ne fonctionne toujours pas, débrancher la source électrique et vérifier la continuité de toutes les connexions de câblage.
14. Raccorder les fils électriques.
15. Raccorder les trois fils (noir, blanc et vert) aux fils de la maison et couvrez-les avec des capuchons de connexion. Raccorder les fils selon la couleur (c.-à-d. noir avec noir, blanc avec blanc et vert avec vert).
16. Ranger les fils dans le boîtier de câblage.  
Note : Raccorder tous les fils électriques avant d'installer l'insert. NE PAS alimenter avant que l'installation soit terminée.

### Installation du système de conduits

17. Utiliser un tuyau d'acier de 8 po (tout en respectant les codes du bâtiment de votre secteur) pour raccorder les conduits de la hotte au réseau de gaines au-dessus. Utiliser du ruban adhésif entoilé pour fixer et sécuriser les raccords, tel qu'illustré à la Figure 4.

18. Veuillez vous référer aux codes locaux pour l'usage du clapet (non compris).

### Préparation de la hotte avant l'installation

**AVERTISSEMENT** : S'il faut déplacer la cuisinière électrique pour installer la hotte, couper d'abord l'alimentation électrique à la cuisinière par le panneau de service. **COUPER LE GAZ AVANT DE DÉPLACER UNE CUISINIÈRE À GAZ.**

19. Déterminer et marquer les lignes médianes sur la base du cadre en bois où l'insert sera installé.
20. Déterminer et percer les trous nécessaires dans le mur ou le plafond pour le réseau de gaines. Note : Installer le réseau de gaines avant d'installer l'insert.
21. Déterminer l'endroit idéal pour le câble d'alimentation électrique. Percer un trou d'accès de câblage au moyen d'une mèche de perceuse. Installer le câble métallique et sceller l'espace autour du trou.
22. Couper l'ouverture où l'insert sera installé (Photo 5).

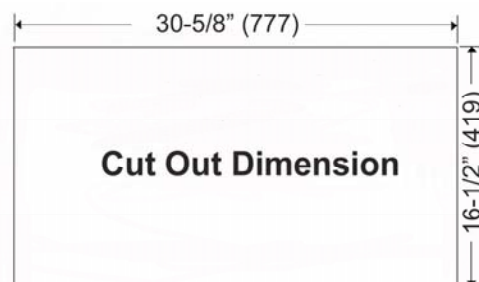
### Installation de la hotte

**NOTE** : N'UTILISER QUE DES OUTILS À MAIN. NE PAS TROP SERRER LES VIS. CECI POURRAIT CAUSER DES DOMMAGES À LA HOTTE.

23. Dévisser les 7 vis au-bas de l'insert (Photo 6). Retirer lentement le panneau du soutien électronique et débrancher toutes les connexions, tel qu'illustré à la Photo 7.
24. Installer le support du caisson de la hotte (fournit avec l'ensemble de vis). Ajuster le niveau du mécanisme de verrouillage selon l'épaisseur de la base (contreplaqué de  $\frac{3}{4}$  po d'épais recommandé). Serrer les vis (comprises) pour fixer solidement en place, tel qu'illustré à la Photo 8.
25. Installer l'insert à l'intérieur du cadre en bois sur mesure.
26. Installer l'insert au moyen de trous de fixation arrière et avant qui sont situés à 1-1/2 po (38 mm) au-dessus de la base de l'insert (les vis ne sont pas comprises).
27. Pour une installation plus sécuritaire, utiliser les trous de fixation situés sur les côtés de l'insert.
28. S'assurer que l'insert est fixé solidement avant de relâcher.
29. Réinstaller le panneau de soutien électronique. (Ne pas trop serrer les vis).

**AVERTISSEMENT** : S'ASSURER QUE LA HOTTE EST BIEN FIXÉE AVANT DE RELÂCHER.

Photo 5



30-5/8" (777)                      30-5/8 po (777)  
16-1/2" (419)                      16-1/2 po (419)  
Cut Out Dimension      Dimensions de découpage

Photo 6



Photo 7



Photo 8



## Assemblage final

30. Installer le récupérateur de graisse dans le support encastré à l'arrière de la hotte. Voir la Photo 9.
31. Installer les filtres déflecteurs. Incliner le filtre déflecteur vers l'arrière de la hotte ①. Pousser le filtre déflecteur jusqu'à ce qu'il soit presque à niveau ②. Le faire glisser à l'intérieur de l'entaille située à l'arrière du devant de la hotte ③. Rabaisser le filtre déflecteur ④. Faire glisser vers l'arrière jusqu'à ce qu'il soit en position d'équilibre ⑤. Voir la Photo 10.

Photo 9

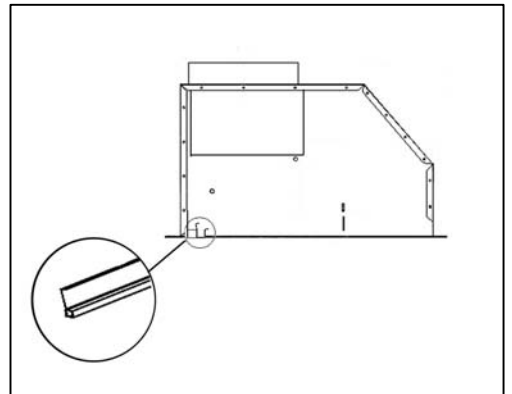
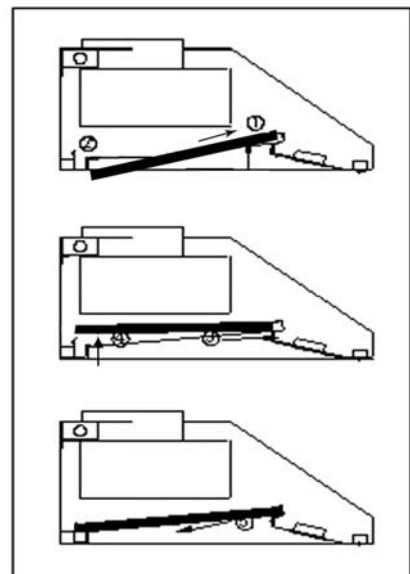


Photo 10

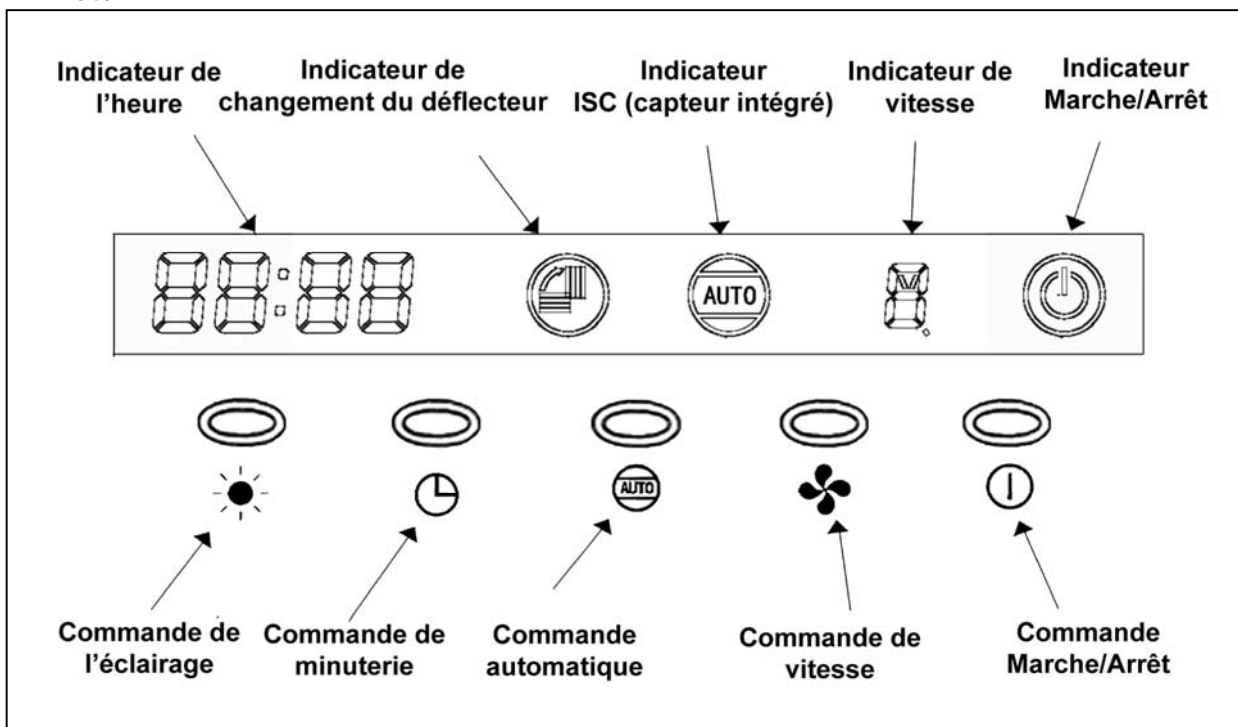


## MODE D'EMPLOI

Cette hotte de cuisinière KOBE est munie d'un tableau à cinq boutons-poussoirs électroniques à DEL, six boutons à commandes électroniques sans fil, un puissant ventilateur centrifuge à pales (cage d'écureuil) avec filtre défecteur en acier inoxydable, une « commande de capteur intégré » (Integrated Sensor Control - ISC), deux lampes à halogène de 120 volts/35 watts et le récipient à graisse.

Les cinq boutons de commande correspondent à la commande Marche/Arrêt (« On/Off »), la commande de vitesse (basse, moyenne, élevée et QuietMode™), la commande automatique, la commande de minuterie et la commande de l'éclairage. Voir la Photo 11.

Photo 11



Note : Pour de meilleurs résultats, veuillez régler la hotte au cycle QuietMode™ avant toute préparation ou cuisson. Ensuite, ajuster la vitesse selon vos besoins.

### Commande Marche/Arrêt





Appuyer sur la commande Marche/Arrêt (« ON/OFF ») pour allumer ou éteindre la hotte.  
L'élément affiché :



### Commande de vitesse

(Chaque fois que la commande de vitesse est enfoncée, le cycle passe à la vitesse suivante : élevée, à moyenne, à basse et à QuietMode™.)

L'élément affiché indique :

-  = vitesse QuietMode™
-  = vitesse basse
-  = vitesse moyenne
-  = vitesse élevée

### Commande automatique

Appuyer sur le bouton de commande automatique pour régler la hotte au mode auto-détecteur. Lorsque du gaz ou une alternance thermique\* est décelé, la hotte s'allume automatiquement. Le ventilateur s'allume et se règle à la vitesse la plus élevée et s'éteindra uniquement lorsque le gaz sera éliminé et que la température s'abaissera à la température ambiante (\*Température : plus élevée que la température ambiante).

L'élément affiché :



### Commande de l'éclairage

(La commande de l'éclairage fonctionne de façon indépendante de la commande Marche/Arrêt (« ON/OFF »). La mise hors tension n'éteint pas automatiquement les lampes.)

Appuyer sur le bouton de la commande de l'éclairage pour les allumer.

(Chaque fois que le bouton de la commande de l'éclairage est enfoncé, le cycle d'intensité des lampes passe de élevée, à basse puis à éteinte).

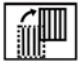
### Commande de minuterie

Appuyer sur le bouton de commande de la minuterie pour démarrer le minuteur. Chaque fois que le bouton de commande de minuterie est enfoncé, l'affichage du minuteur augmente de 1 minute.

Lorsque la commande de minuterie est enfoncée, le ventilateur s'éteint automatiquement après le réglage du minuteur. L'intervalle de temps de la minuterie est de 1 minute à 99 minutes.

Pour effacer la minuterie, appuyer à deux reprises sur le bouton de commande de la minuterie.

### Commande de changement du déflecteur

L'affichage  indique le moment où le filtre du déflecteur doit être nettoyé. Enlever pour nettoyer le filtre du déflecteur.

(Pour acheter des filtres de remplacement, veuillez communiquer avec votre distributeur local KOBE ou téléphoner au 626 350-1355)

Les six boutons de commande de la télécommande sans fil sont : la commande Marche/Arrêt (« ON/OFF »), la commande de l'éclairage, la commande de vitesse (élevée, moyenne, basse et QuietMode™), la commande de minuterie et la commande automatique. Voir la Photo 12.

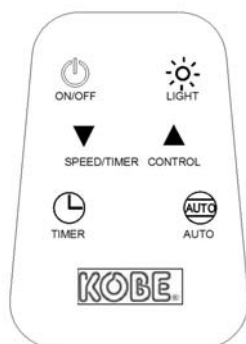


Photo 12

**ON/OFF**  
**LIGHT -**  
**SPEED/TIMER -**  
**TIMER**  
**AUTO**

- **MARCHE/ARRÊT**  
**LAMPES**  
**COMMANDE DE VITESSE/MINUTERIE**  
**MINUTERIE**  
**AUTOMATIQUE**

### Commande Marche/Arrêt

Appuyer sur la commande Marche/Arrêt (« ON/OFF ») pour allumer ou éteindre la Hotte.

### Commande de l'éclairage

(Les lampes sont contrôlées individuellement à partir de commandes allumer/éteindre (« ON/OFF »). La mise hors tension n'éteint pas automatiquement les lampes.)

Appuyer sur le bouton de la commande de l'éclairage pour allumer les lampes.

(Chaque fois que le bouton de la commande de l'éclairage est enfoncé, le cycle passe de l'intensité élevée, à basse et à éteinte).

### Commande de vitesse

Appuyer sur le bouton de la commande de vitesse pour activer le ventilateur. La hotte KOBE démarre à vitesse élevée. Chaque fois que le bouton de commande de vitesse est enfoncé, elle accomplit un cycle entre divers niveaux de vitesse.

Appuyer sur ▼ pour le cycle de vitesse élevée, à moyenne, à basse et à QuietMode™  
 Appuyer sur ▲ pour le cycle de vitesse élevée, à QuietMode™, à basse et à moyenne.

### Commande de minuterie

Appuyer sur le bouton de commande de minuterie pour activer le mode Minuterie. Lors de l'activation du minuteur, l'indicateur de minuterie clignote.

Si le bouton de la commande de vitesse/minuterie (▼ OU ▲) n'est pas enfoncé à l'intérieur d'un délai de 6 secondes, l'unité quitte automatiquement le mode minuterie. Les flèches ▼ ▲ basculent à la fonction « commande de vitesse ».

Lorsque le mode minuterie est activé, chaque fois que le bouton ▼ est enfoncé, le minuteur diminue de 1 minute tandis que chaque fois que le bouton ▲ est enfoncé, le minuteur augmente de 1 minute.

Lorsque le minuteur est réglé, l'indicateur de minuterie cesse de clignoter après un délai de 6 secondes et le ventilateur s'éteint automatiquement après le réglage du minuteur.

### Commande automatique

Appuyer sur le bouton de la commande automatique pour activer la fonction de « Commande de capteur intégré » (*Integrated Sensor Control – ISC*).

## ENTRETIEN PRÉVENTIF

Pour favoriser un rendement optimal, nettoyer régulièrement les surfaces de la hotte et les filtres déflecteurs.

### Nettoyage Des Surfaces De La Hotte

**AVERTISSEMENT : NE JAMAIS EMPLOYER DE NETTOYANTS OU LINGES ABRASIFS, OU ENCORE DE LAINES À RÉCURER.**

\*\*\* Un entretien fréquent aidera à conserver une belle apparence à la hotte.

1. Utiliser seulement du savon doux ou du détergent. Sécher les surfaces avec un chiffon doux.
2. Si la hotte est tachée (hotte en acier inoxydable), utiliser un nettoyeur pour acier inoxydable pour nettoyer les surfaces de la hotte. Éviter de mettre du nettoyeur sur le panneau de commande. Suivre les directives du nettoyeur pour acier inoxydable. **Avvertissement : Ne jamais laisser de nettoyeur durant une longue période de temps, puisque ceci pourrait endommager la finition de la hotte.** Utiliser un chiffon doux pour enlever tout résidu de solution nettoyante, frotter légèrement toutes taches tenaces. Sécher la hotte avec un chiffon doux. Sécher la hotte avec un chiffon doux.
3. NE PAS laisser les dépôts s'accumuler durant de longues périodes de temps.
4. NE PAS utiliser de laines ou de brosses à récurer ordinaires. Des particules d'acier peuvent adhérer à la surface et la faire rouiller.
5. NE PAS permettre à des solutions salines, des désinfectants, des javellisants ou des agents nettoyants de rester en contact avec l'acier inoxydable durant de longues périodes. Plusieurs de ces nettoyeurs contiennent des produits chimiques pouvant causer du tort à l'acier inoxydable. Après tout contact de ce type, rincer à l'eau et essuyer avec un chiffon doux.

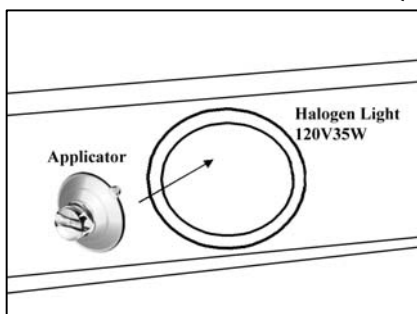
### Nettoyage Des Filtres Déflecteurs Et Du Récupérateur à Graisse

**AVERTISSEMENT: VIDER LES FILTRES DÉFLECTEURS ET LE RÉCUPÉRATEUR À GRAISSE AVANT QU'IL N'Y AIT TROP D'ACCUMULATION.**

1. Retirer les filtres déflecteurs et le récupérateur à graisse.
2. À l'aide d'une éponge, laver dans une eau chaude savonneuse. Sécher entièrement avant de remettre en place.  
(Note : les filtres peuvent être nettoyés en toute sécurité dans le haut du lave-vaisselle)

### Remplacement d'une ampoule

**AVERTISSEMENT : LA LAMPE HALOGÈNE PEUT ÊTRE BRÛLANTE ! ATTENDRE QU'ELLE SE REFROIDISSE AVANT DE PROCÉDER.**



1. Appliquer l'applicateur sur l'appareil d'éclairage halogène et tournez dans le sens de libérer l'appareil.



## SPECIFICATIONS

MODÈLE / FORMAT	IN2636SQB-1			
COULEUR	feuille en acier inoxydable commercial d'épaisseur 18			
CONSOMMATION / AMPÈRE	290 W / 2.5 A			
VOLTAGE	120 V - 60 Hz			
NOMBRE DE MOTEURS	1			
TYPE DE VENTILATEUR : CENTRIFUGE	Centrifuge à pales (cage d'écureuil)			
ÉVACUATION	évent rond de 8 po avec clapet			
COMMANDES	5 boutons-poussoirs avec voyants à DEL 6 Button télécommande sans fil à 6 boutons - délais d'arrêt variables			
LAMPES HALOGÈNES	2 ampoules de 120V 35W (max.)			
DIMENSIONS DE LA HOTTE (LARGEUR X PROFONDEUR X HAUTEUR)	32-9/16 po x 18-1/2 po x 10-9/16 po			
ACCESSOIRES EN OPTION (LARGEUR X PROFONDEUR X HAUTEUR)	revêtement réglable en deux pièces N° de modèle : INL36252A (36 po x 23 po à 25 po x 3 po) N° de modèle : INL42252A (42 po x 23 po à 25 po x 3 po) N° de modèle : INL48252A (48 po x 23 po à 25 po x 3 po)			
POIDS DE LA HOTTE (lb)		<u>NET</u>	<u>BRUT</u>	
	IN2636SQB-1	51	63	
VITESSE	QuietMode™	Basse	Moyenne	Élevée
Capacité d'air du ventilateur (pi³/min)	250	460	560	700
Sone*	1.3	3.5	5.0	6.0
dB	44.6	58.0	63.5	66.0

\*Un sone équivaut au son d'un réfrigérateur à 40 décibels

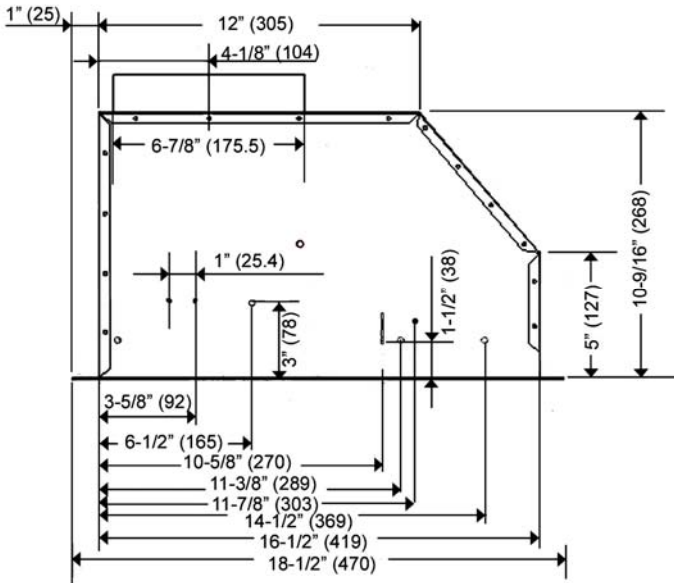
\*\* Les spécifications sont sujettes à changement sans préavis.

# MESURES ET SCHÉMAS

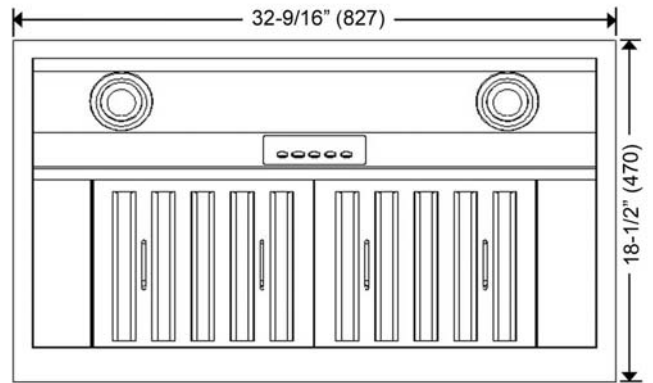
- ◆ Toutes les mesures entre parenthèses sont en millimètres.
- ◆ Toutes les mesures en pouces sont converties à partir de millimètres. Les mesures sont estimées.

N° DE MODÈLE : IN2636SQB-1

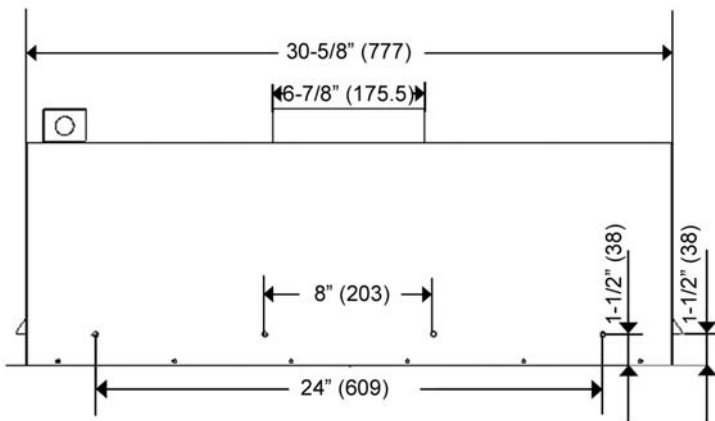
Vue de côté



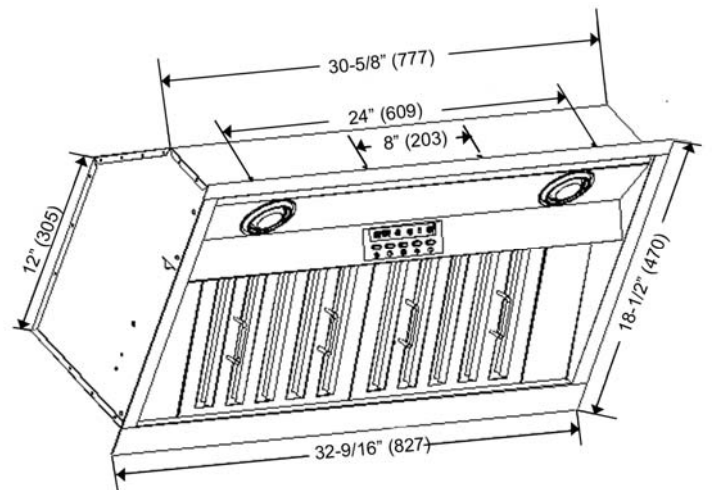
Vue de dessous



Vue arrière



Vue avant



NOTE DE LA TRADUCTRICE : SVP REMPLACER LES GUILLEMETS PAR po ex.: 1-1/8" = 1 1/8 po

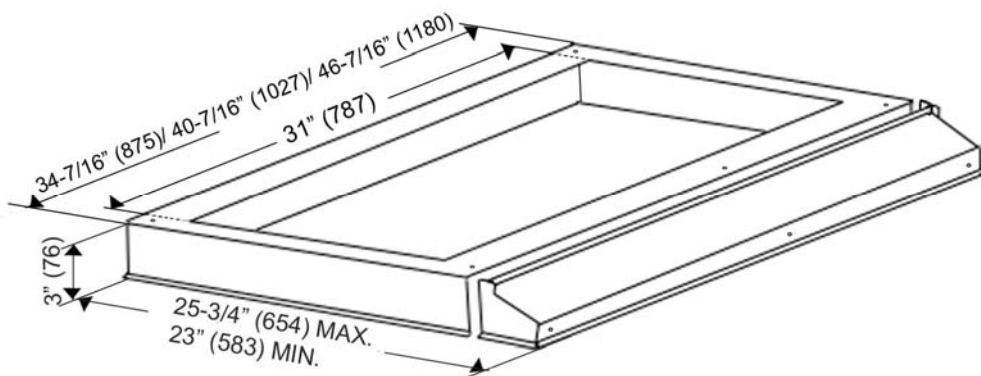
**Revêtement en acier inoxydable (vendu séparément)**

N° de modèle : **INL36252A**

**INL42252A**

**INL48252A**

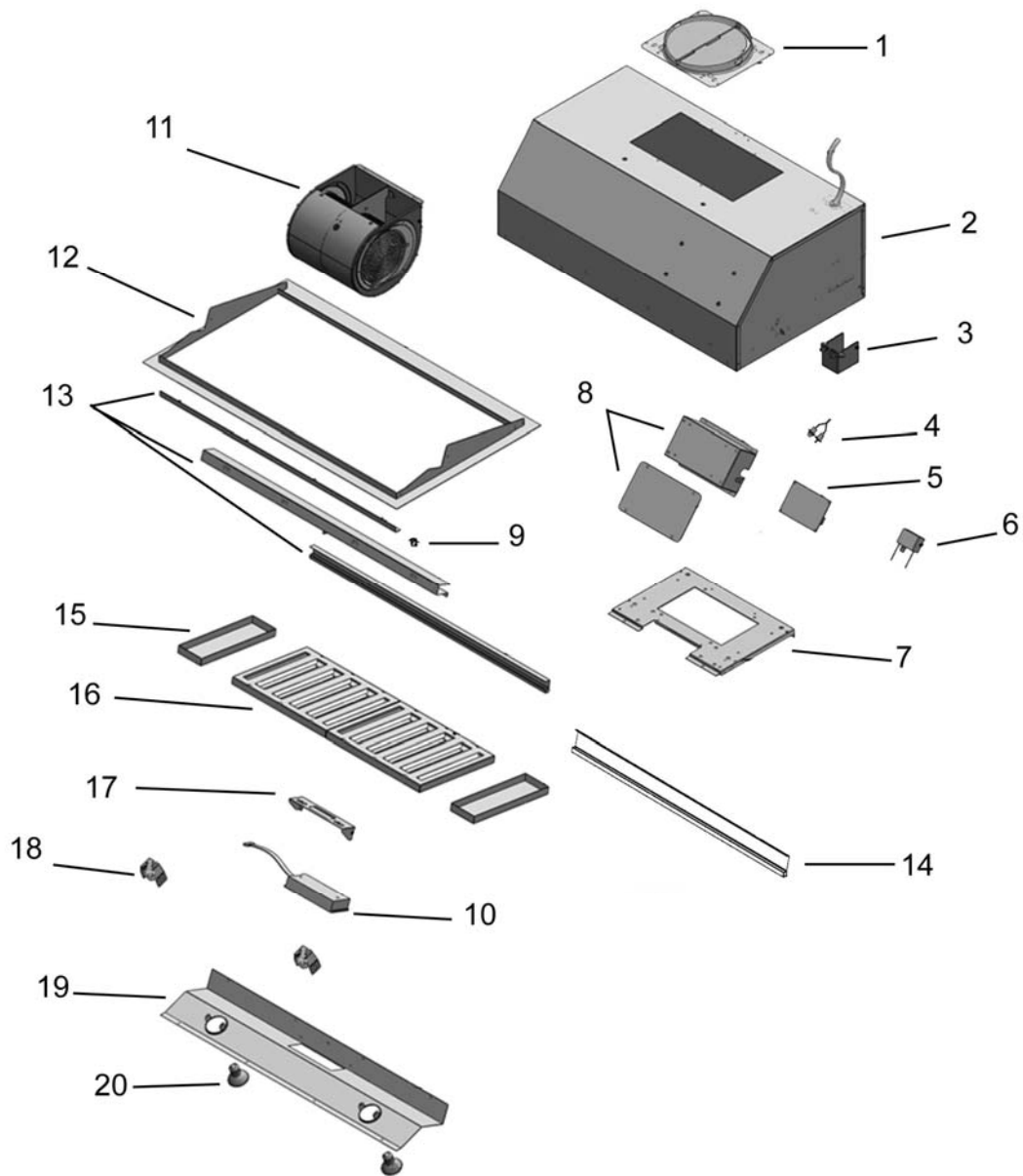
NOTE DE LA TRADUCTRICE : SVP REMPLACER LES GUILLEMETS PAR po ex.: 1-1/8" = 1 1/8 po



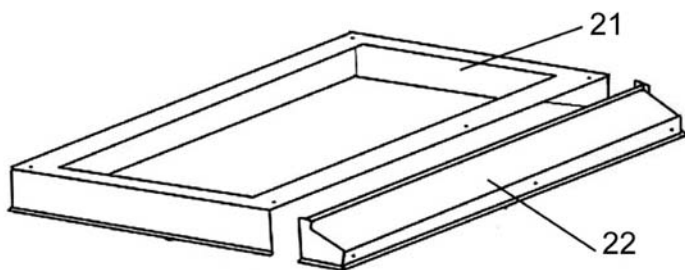
## LISTE DES PIÈCES

N° DE MODÈLE : IN2636SQB-1

N°	DESCRIPTION	MODÈLE/FORMAT	N° DE PIÈCE
1	Plaque en plastique		XP26618 / GP056010
2	Caisson de la hotte		GP054710
3	Boîtier de câblage		XP14441
4	ISC – (Integrated Sensor Control) Commande de capteur intégré		IN2636-100-01
5	Processeur		IN2636-101-01
6	Condensateur		XP22420
7	Support du panneau		GP055807
8	Boîtier du processeur		GP055607 / GP055707
9	Capteur pour indicateur		IN2636-102-01
10	Bloc de contrôle		IN2636-103-01
11	Moteur		MT023
12	Panneau Pare éclaboussures		GP054806
13	Support de la filtre déflecteur		GP055006 / Q0192 / GP055106
14	Récupérateur de graisse		IN2636-104-01
15	Entretoises		GP055206
16	Filtres déflecteurs		Q0193
17	Support de la contrôle		GP055507
18	Douille		XP26624
19	Panneau du soutien électronique		GP054906
20	Lampe halogène		XP27401
<b>Revêtement optionnel (vendu séparément)</b>			
21	Section arrière du revêtement	INL36252A	IN2636-12-01
		INL42252A	IN2636-13-01
		INL48252A	IN2636-14-01
22	Section avant du revêtement	INL36252A	IN2636-12-02
		INL42252A	IN2636-13-02
		INL48252A	IN2636-14-02

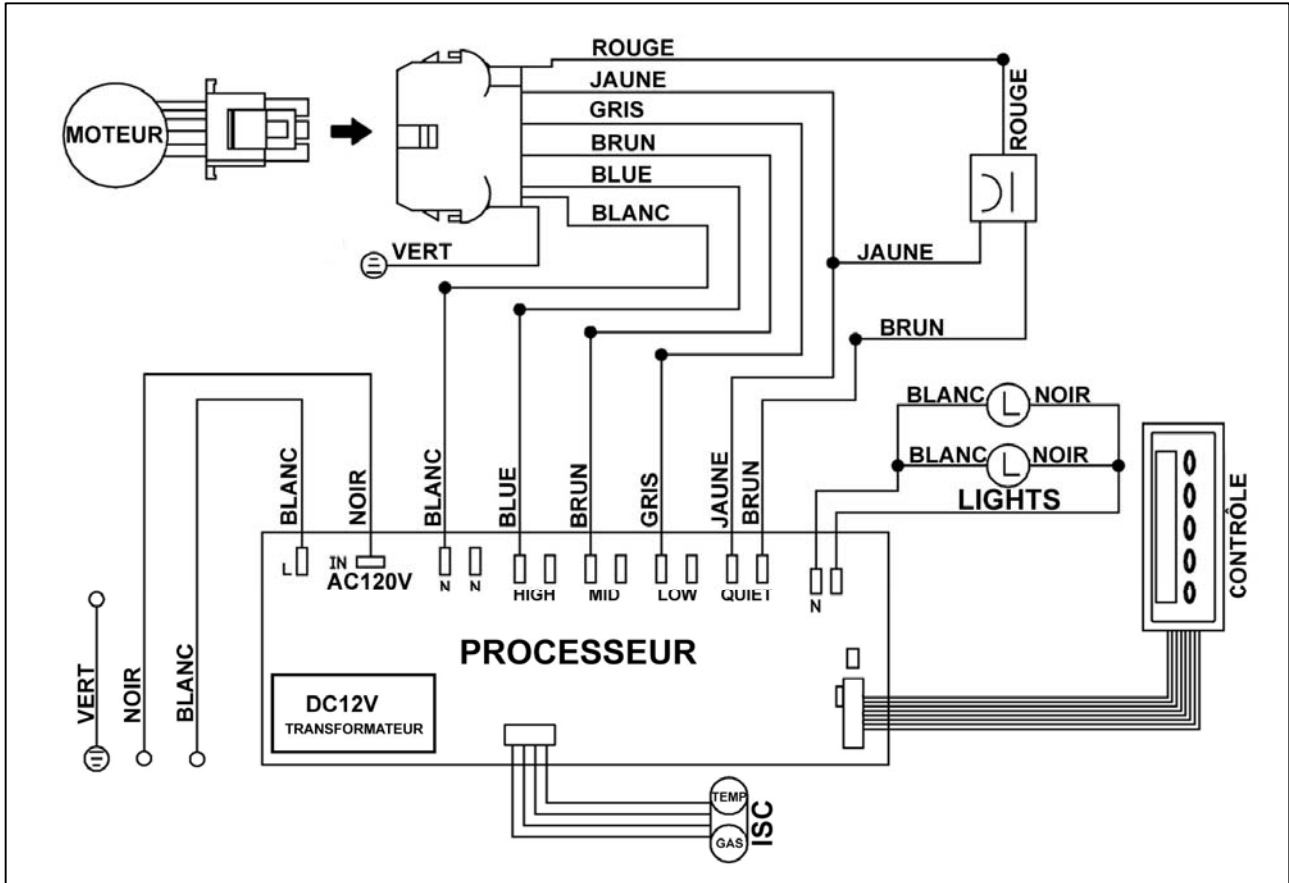


Revêtement optionnel (vendu séparément)



# SCHÉMA DE CÂBLAGE

N° DE MODÈLE : IN2636SQB-1



## TROUBLE SHOOTING

Problème	Cause probable	Solution
Après l'installation, les deux moteurs et les lumières ne fonctionnent pas.	Pas d'alimentation électrique. Assurez-vous que le disjoncteur et que l'alimentation électrique soient en marche.	Utilisez un voltmètre pour vérifier l'alimentation en électricité.
	Le câblage n'est pas bien installé.	Vérifiez et serrez les connexions de fils.
	Le câblage du panneau de commande et de la carte processeur est débranché.	Vérifiez le câblage au complet à partir du panneau de commande jusqu'à la carte processeur.
	Le transformateur du moteur est défectueux	Vérifiez l'entrée de courant et la sortie de courant du transformateur du moteur. Si nécessaire, remplacez le transformateur du moteur.
Les lumières fonctionnent, mais pas le(s) moteur(s).	Le panneau de commande ou la carte processeur est défectueux.	Remplacez le panneau de commande ou la carte processeur.
	Le(s) moteur(s) est (sont) défectueux.	Remplacez le(s) moteur(s).
	Le(s) condensateur(s) est (sont) défectueux.	Remplacez le(s) condensateur(s).
	Le panneau de commande ou la carte processeur est défectueux.	Remplacez le panneau de commande ou la carte processeur.
La hotte de cuisine vibre.	Le système de ventilation n'est pas bien installé.	Serrez la pale turbine/cage d'écureuil et le réservoir d'air.
	La pale turbine/cage écureuil n'est pas bien balancée.	Remplacez la pale turbine/cage d'écureuil.
	La hotte n'est pas assez bien serrée.	Vérifiez l'installation de la hotte, serrez le support de fixation.
La hotte de cuisine ne ventile pas correctement.	La hotte de cuisine est installée hors des limites recommandées par le fabricant.	Ajustez le dégagement entre la hotte de cuisine et la table de cuisson pour qu'il soit de 27" à 30". Pour une hotte de cuisinière sur îlot, le dégagement entre la hotte de cuisine et la table de cuisson est de 30" à 36".
	Il n'y a pas d'air d'appoint à l'intérieur de la maison.	Ouvrez la fenêtre pour améliorer la performance de la hotte en créant suffisamment d'air d'appoint.
	Un obstacle bloque la canalisation.	Enlevez tous les obstacles de la canalisation.
	La canalisation est plus petite que la canalisation suggérée.	Changez la canalisation en accord avec les suggestions du fabricant.
De l'air froid entre dans la maison.	La connexion du conduit n'est pas scellée correctement.	Vérifiez l'installation du conduit.
	Le clapet n'est pas bien installé ou manque à l'installation.	Vérifiez l'installation du clapet.
	Le clapet n'est pas installé.	En installant le clapet, vous aiderez à éliminer le retour d'air.

## AVIS DE NON-RESPONSABILITÉ

1. **INSPECTER ATTENTIVEMENT TOUS LES ARTICLES POUR DÉCELER TOUT DOMMAGE, S'IL Y A LIEU, AVANT D'ACCEPTER LA LIVRAISON. NOTER TOUT DOMMAGE SUR LA FACTURE DE TRANSPORT OU LE CONNAISSEMENT. EXIGER LE NOM ET LA SIGNATURE DE L'EMPLOYÉ DU TRANSPORTEUR ET CONSERVER UNE COPIE COMME PIÈCE JUSTIFICATIVE DE LA RÉCLAMATION.**  
Sur acceptation des articles, le propriétaire assume la responsabilité de l'état dans lequel se trouvent les articles à la livraison. Les dommages doivent être déclarés au transporteur et une réclamation doit être déposée à défaut de quoi le transporteur pourrait refuser d'honorer la réclamation. Le transporteur fournira les formulaires nécessaires pour effectuer une réclamation.  
**LES DOMMAGES CAUSÉS DURANT LE TRANSPORT NE SONT PAS COUVERTS PAR NOTRE GARANTIE.**
2. **PRIÈRE DE BIEN VÉRIFIER LE CONTENU DE L'EMBALLAGE (DES EMBALLAGES) À LA RÉCEPTION!** Vous devez nous aviser par écrit de tout dommage ou de toute pièce manquante à l'intérieur du délai alloué à partir de la réception de la marchandise. Communiquer avec votre représentant ou distributeur local de KOBE ou appeler chez KOBE pour connaître le délai alloué.  
**LES RÉCLAMATIONS QUI NOUS PARVIENDRONT APRÈS LE DÉLAI ALLOUÉ SERONT REFUSÉES.**  
NOTE : TOUS LES ARTICLES ONT ÉTÉ MIS À L'ESSAI MINUTIEUSEMENT ET EMBALLÉS AVEC SOIN À NOTRE USINE.
3. Les produits doivent être retournés en bonne condition de fonctionnement avec TOUTES les pièces d'origine et la documentation et dans TOUS les emballages d'origine (boîtes de carton et matériel de remplissage). Des frais de reconstitution de stocks de 25 % seront facturés pour tous les retours autorisés.  
**LES ÉCHANGES OU LES RETOURS PEUVENT ÊTRE REFUSÉS SI UNE PARTIE DE L'EMBALLAGE EST MANQUANTE.**
4. **INSPECTER AVEC SOIN LA HOTTE POUR DÉCELER TOUT DOMMAGE OU DÉFAUT AVANT L'INSTALLATION.** Les défauts dans l'apparence de la hotte décelés après l'installation et n'ayant aucune incidence sur son rendement ne sont pas couverts par notre garantie et ne peuvent constituer une raison valable pour un retour ou un échange. Des frais seront facturés pour les appels de service non couverts par notre garantie.
  - A) Avant l'installation : retour pour échange ou remboursement (veuillez voir plus haut les raisons valables pour un retour).
  - B) Après l'installation : **AUCUN** échange ou remboursement.



# GARANTIE

## CERTIFICAT DE GARANTIE

Tous les produits fabriqués ou fournis par KOBE Range Hoods sont garantis contre tout défaut de fabrication et de matière première. Les obligations du fabricant dans le cadre de la présente garantie sont limitées à une période de deux (2) ans à partir de la date d'achat et à la réparation ou au remplacement, à sa discrétion, conformément aux modalités et conditions énoncées plus bas, de tout composant qu'il jugera défectueux après examen.

### PÉRIODE DE GARANTIE DE DEUX (2) ANS

Toute défaillance couverte par la garantie se produisant dans les deux (2) ans à compter de la date d'achat d'origine et découlant d'une fabrication ou d'une matière première défectueuse sera réparée (ou, à notre discrétion, l'appareil pourra être remplacé), sans frais, par un agent autorisé de KOBE Range Hoods ou par KOBE Range Hoods selon le cas. Conservez votre preuve d'achat (ou facture d'origine) pour inspection.

Si la hotte de cuisinière est vendue par l'acheteur d'origine au cours de la période de garantie, le nouveau propriétaire sera protégé jusqu'à l'expiration de la garantie de l'acheteur d'origine.

### CONDITIONS

Les conditions suivantes s'appliquent seulement en relation avec la garantie accordée expressément par le présent certificat.

- 1) La présente garantie est valide uniquement :
  - a) aux États-Unis et au Canada;
  - b) si la hotte de cuisinière est utilisée pour un USAGE FAMILIAL UNIQUE (si la hotte sert à un USAGE COMMERCIAL OU À PLUSIEURS FAMILLES OU À D'AUTRES FINS, la garantie sera nulle et non avenue).
- 2) La réparation de tout défaut couvert par la présente garantie ne sera pas couverte :
  - a) si le numéro d'identification de la hotte a été altéré, rendu illisible ou enlevé;
  - b) si le défaut n'a pas été déclaré au cours de la période de garantie applicable;
  - c) dans le cas de défectuosité des ampoules ou des lampes à rayons infrarouges;
  - d) dans le cas de tout dommage physique;
  - e) pour des surfaces endommagées par l'utilisation de produits nettoyants inappropriés;
  - f) si l'appareil a été:
    - i). soumis à un mauvais usage, un abus, une négligence, un accident, une installation inadéquate ou si les instructions du mode d'emploi n'ont pas été respectées;
    - ii). branché à une alimentation électrique ou à des conduits d'évacuation inappropriés, inadéquats ou défectueux ou opéré avec l'emploi de lubrifiants inadéquats ou contaminés;
    - iii). installé, entretenu ou opéré autrement qu'en conformité avec les instructions fournies par KOBE Range Hoods incluant l'utilisation inappropriée de détergents, javellisants ou nettoyants.
  - g) pour tout dommage à la hotte durant le transport, la livraison, l'installation ou l'enlèvement ;
  - h) pour tout dommage résultant d'un essai de réparation effectué par une autre personne que par un technicien de service autorisé par KOBE.
  - i) le bruit ou la vibration causé par une installation inappropriée de la hotte de ventilation et/ou du clapet.

- 3) L'acheteur sera responsable de tous les frais requis pour rendre la hotte facilement accessible au service et, lorsque la hotte est installée à l'extérieur du territoire de ventes principal du détaillant ou du territoire de service de l'agent autorisé de KOBE Range Hoods le plus près, selon le cas, de tous les frais de déplacement et de tous les frais de transport de la hotte ou de pièces de celle-ci jusqu'au détaillant ou au technicien de service (aller-retour).
- 4) L'acheteur doit fournir la preuve d'achat de même que le présent certificat de garantie au moment de faire une réclamation.
- 5) Les dommages causés durant l'expédition ne sont pas couverts sous la présente garantie.

### **DOMMAGES INDIRECTS**

KOBE Range Hoods, Inc. ne sera pas tenue responsable des dommages indirects. CERTAINS ÉTATS ET CERTAINES PROVINCES NE PERMETTENT PAS L'EXCLUSION DES DOMMAGES INDIRECTS. EN CONSÉQUENCE, LA PRÉSENTE EXCLUSION PEUT NE PAS S'APPLIQUER DANS VOTRE CAS.

### **GARANTIES TACITES / RÉGLEMENTATION**

Toutes les garanties tacites, incluant la garantie implicite de qualité marchande et de pertinence dans un but particulier, imposées par la réglementation de l'état ou de la province d'achat, sont limitées à une durée de deux (2) ans à compter de la date d'achat d'origine. Certains états ou provinces ne permettent pas les limitations ayant trait à la durée d'une garantie tacite. La présente garantie vous donne des droits légaux précis et vous pouvez avoir d'autres droits pouvant varier d'un état à l'autre ou d'une province à l'autre.

### **SERVICE**

Pour obtenir du service :

KOBE Range Hoods  
11775 Clark Street  
Arcadia, CA 91006  
U.S.A  
Tél.: (626) 775-8880  
Courriel: [customer.service@KOBERangeHoods.com](mailto:customer.service@KOBERangeHoods.com)  
Site Web: [www.KOBERangeHoods.com](http://www.KOBERangeHoods.com)

## ENREGISTREMENT DU PRODUIT

### Enregistrez votre produit !

Toute défaillance couverte par la garantie se produisant dans les deux ans à compter de la date d'achat d'origine et découlant d'une fabrication ou d'une matière première défectueuse sera réparée (ou, à notre discrétion, l'appareil pourra être remplacé), sans frais, par un agent autorisé de KOBE Range Hoods. ou par KOBE Range Hoods. selon le cas. Conservez votre preuve d'achat (ou facture d'origine) pour inspection.

Si la hotte de cuisinière est vendue par l'acheteur d'origine au cours de la période de garantie, le nouveau propriétaire sera protégé jusqu'à l'expiration de la garantie de l'acheteur d'origine. Voir le certificat de garantie pour la couverture complète de la garantie.

Cet appareil a été fabriqué, mis à l'essai et inspecté conformément aux normes exigées par KOBE Range Hoods.

### SVP, POSTER VOTRE FICHE D'ENREGISTREMENT DE PRODUIT AVEC VOTRE PREUVE D'ACHAT À:

KOBE Range Hoods  
Warranty Registration  
11775 Clark Street  
Arcadia, CA 91006  
U.S.A.

### INSCRIRE LES RENSEIGNEMENTS SUIVANTS POUR NOS DOSSIERS :

N° de modèle \_\_\_\_\_

N° de série \_\_\_\_\_

Date d'achat \_\_\_\_ / \_\_\_\_ / \_\_\_\_

Nom et adresse du détaillant :

\_\_\_\_\_  
\_\_\_\_\_  
\_\_\_\_\_

**IMPORTANT : VEUILLEZ AVOIR EN MAIN UNE COPIE DE VOTRE FACTURE LORSQUE VOUS EFFECTUEZ UN APPEL DE SERVICE.**

## [SPANISH]

- LEA Y CONSERVE ESTAS INSTRUCCIONES -

### ÍNDICE

INSTRUCCIONES IMPORTANTES DE SEGURIDAD.....	50
COMPONENTES DEL PAQUETE .....	52
INSTALACIÓN .....	53
INSTRUCCIONES DE OPERACIÓN .....	58
MANTENIMIENTO .....	61
ESPECIFICACIONES .....	62
MEDIDAS Y DIAGRAMAS .....	63
LISTADO DE PIEZAS .....	65
DIAGRAMA DE CIRCUITO .....	67
INSTRUCCIONES IMPORTANTES DE SEGURIDAD.....	68
CLÁUSULA DE EXENCIÓN.....	69
GARANTÍA.....	70
REGISTRO DEL PRODUCTO .....	72

- LEA CUIDADOSAMENTE TODAS LAS INSTRUCCIONES ANTES DE  
COMENZAR -

TODO EL CABLEADO DEBERÁ REALIZARSE POR UN PROFESIONAL Y  
DE ACUERDO CON TODOS LOS CÓDIGOS ELÉCTRICOS NACIONALES  
Y LOCALES



## INSTRUCCIONES IMPORTANTES DE SEGURIDAD

- POR FAVOR, LEA CUIDADOSAMENTE ESTA SECCIÓN ANTES DE INSTALAR -

**⚠ ADVERTENCIA:** PARA REDUCIR EL RIESGO DE INCENDIO, ELECTROCUCIÓN O LESIÓN PERSONAL, TOMA EN CUENTA LO SIGUIENTE:

- 1) La instalación y el cableado eléctrico deberán realizarse por profesionales calificados y de acuerdo con todos los códigos y estándares correspondientes, incluyendo los códigos y normas sobre la construcción para prevenir incendios.
- 2) Al cortar o perforar una pared o techo, tenga cuidado de no dañar el cableado eléctrico u otras instalaciones de servicios ocultas.
- 3) Los ventiladores con conductos deberán tener una ventilación hacia el exterior.
  - a) Antes de darle servicio o limpiar la unidad, abra el panel de la luz y **DESCONECTE EL SUMINISTRO ELÉCTRICO EN EL PANEL DE SERVICIO.**
  - b) Limpie frecuentemente las superficies saturadas con grasa. Para reducir el riesgo de incendio y para dispersar el aire adecuadamente, asegúrese de ventilar el aire al exterior. **NO ventile el aire del escape en espacios cerrados entre paredes, áticos, espacios de acceso debajo de pisos o garajes.**

NOTA - Esta garantía no es válida sin un recibo de un agente autorizado o si la unidad se ha dañado debido al maltrato, mala instalación, uso inadecuado, abuso, negligencia o cualquier otra circunstancia que se encuentre fuera del control de los agentes autorizados de KOBE RANGE HOODS. Cualquier reparación que se realice sin la supervisión de los agentes autorizados de KOBE RANGE HOODS anulará la garantía automáticamente.

- KOBE RANGE HOODS no se hará responsable por cualquier daño a la propiedad personal o inmobiliario ni por las lesiones físicas que se hayan causado ya sea directa o indirectamente por la campana de extracción.

**⚠ ADVERTENCIA:** PARA REDUCIR EL RIESGO QUE OCURRAN LESIONES PERSONALES EN CASO DE UN INCENDIO CAUSADO POR LA GRASA ACUMULADA EN LAS HORNILLAS DE LA ESTUFA:

1. Mantenga limpios todos los ventiladores, deflectores/separadores/filtros/conductos de aceite/recipientes para aceite y las superficies saturadas con grasa. No deberá permitirse que la grasa se acumule en el ventilador, deflector/separador/filtro/conducto de aceite/ recipiente para aceite.
2. Siempre ENCIENDA el extractor cuando cocine.
3. Utilice las configuraciones altas en la estufa **SOLAMENTE** cuando sea necesario.
4. No deje la estufa sin supervisión mientras esté cocinando.
5. Siempre utilice utensilios de cocina adecuados para el tipo y cantidad de alimentos que prepara.
6. Utilice esta unidad únicamente de la manera en que fue diseñada por el fabricante.
7. Antes de darle servicio, desconecte el suministro eléctrico en el panel de servicio y cierre bajo llave el panel de servicio (de ser posible) para prevenir que la unidad se encienda accidentalmente.
8. Limpie el ventilador con frecuencia.

## Qué Hacer en Caso de Un Incendio Causado por la Grasa Acumulada en las Hornillas de la Estufa

- SOFOQUE LAS LLAMAS con una tapadera, una bandeja para hornear galletas o una bandeja de metal que quede bien ajustada y luego apague la hornilla. MANTENGA TODO EL MATERIAL INFLAMABLE O COMBUSTIBLE LEJOS DE LAS LLAMAS. Si las llamas no se apagan inmediatamente, EVACUE EL ÁREA Y LLAME AL DEPARTAMENTO DE BOMBEROS o al 911.
- NUNCA LEVANTE UN SARTÉN QUE SE ESTÉ QUEMANDO – Usted Podría Quemarse.
- NO UTILICE AGUA, incluyendo paños o toallas mojadas - esto resultará en una explosión violenta de vapor.
- Utilice un extinguidor SOLO si:
  - a) Cuenta con un extinguidor Clase A, B, C y sabe cómo utilizarlo.
  - b) El incendio es pequeño y se ha contenido en el área en donde comenzó.
  - c) Ha llamado al departamento de bomberos.
  - d) Puede combatir el incendio con su espalda dirigida hacia una salida.

## Qué Hacer si Siente Olor a Gas

- Apague cualquier llama abierta.
- No intente encender las luces o cualquier otro tipo de aparato.
- Abra todas las puertas y ventanas para dispersar el gas. Si aún así siente olor a gas, llame a la Compañía de Gas y al Departamento de Bomberos inmediatamente.

## **⚠ PRECAUCIÓN**

- 1) Solamente para ventilación general. No utilizar para eliminar materiales y vapores peligrosos o explosivos.
- 2) Para reducir el peligro de incendio, utilice solamente una red de conductos metálicos. Necesita aire suficiente para la combustión y eliminación de gases por medio del conducto de ventilación (chimenea) para prevenir la explosión de flujo de aire en retroceso.
- 3) Siga las directrices y estándares de seguridad del fabricante del equipo de calefacción, tales como aquellos publicados por la Asociación de Protección contra Incendios (National Fire Protection Association – NFPA) y la Sociedad Americana de Ingenieros en Calefacción, Refrigeración y Aire Acondicionado (American Society for Heating, Refrigeration and Air Conditioning Engineers – ASHRAE) y las autoridades normativas.
- 4) Activar cualquier interruptor podría causar una explosión o ignición.
- 5) Debido al tamaño y peso de esta campana de extracción, se recomienda que la instalación sea realizada por dos personas.

## **⚠ ADVERTENCIA**



**RIESGO DE ELECTROCUCIÓN – Puede resultar en lesiones serias o la muerte. Desconecte el aparato del suministro eléctrico antes de darle servicio. Si estuviera equipado con éste, el foco fluorescente debido a que contiene pequeñas cantidades de mercurio, deberá reciclarse o desecharse según los Códigos Locales, Estatales y Federales.**

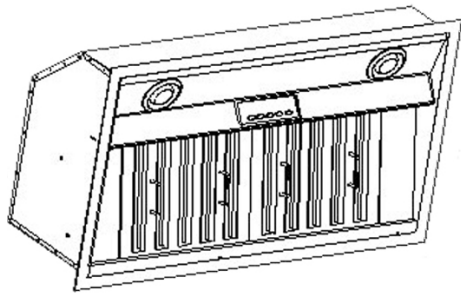
## COMPONENTES DEL PAQUETE

(Debe conservar todo el material en caso de devolverlo o solicitar un reembolso)

### Caja de Campana de Extracción

- {A} Campana de Extracción KOBE
- {B} Tarjeta de Registro para Garantía
- {C} Manual de Instrucciones
- {D} Filtro Deflector - 2
- {E} Conducto para Aceite - 1
- {I} Sujetador y Paquete de Tornillos - 1
- {G} Control Inalámbrico - 1
- {H} Placa Plástica - 1

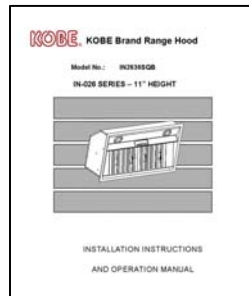
{A}



{B}



{C}



{D}



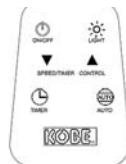
{E}



{F}



{G}



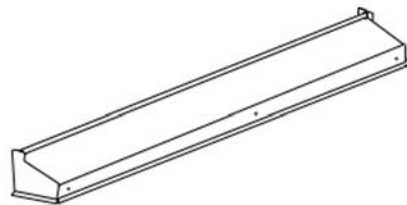
{H}



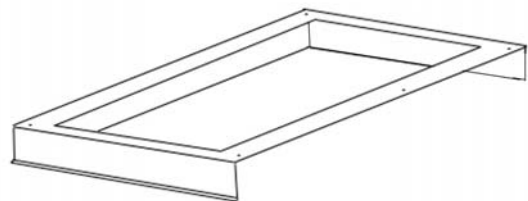
### Cubierta (Vendida por Separado)

- {I} Sección Delantera de la Cubierta
- {J} Sección Posterior de la Cubierta

{I}



{J}



◆ PARA OBTENER MÁS INFORMACIÓN, POR FAVOR VISITE NUESTRO SITIO DE INTERNET [WWW.KOBERangeHoods.COM](http://WWW.KOBERangeHoods.COM) O CONTACTE A KOBE RANGE HOODS AL (626) 775-8880.

# INSTALACIÓN

POR FAVOR, LEA LAS INSTRUCCIONES COMPLETAMENTE ANTES DE CONTINUAR

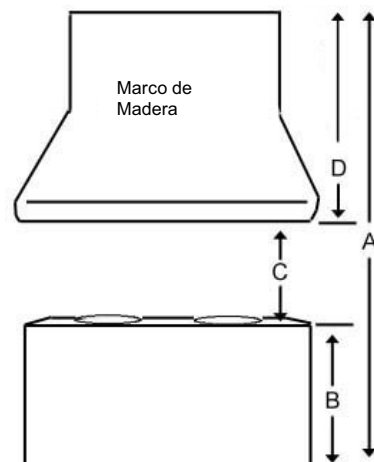
## Cálculo antes de la Instalación

Para realizar el cálculo para la instalación, por favor consulte la TABLA 1. (Todos los cálculos están hechos en pulgadas).

### -PARA INSTALACIÓN DEBAJO DE UN GABINETE-

**TABLA 1**

- A = Altura del Piso al Techo
- B = Altura del Piso a la Superficie del Mostrador (Estándar: 36")
- C = Altura de la Superficie del Mostrador a la Parte Inferior del Marco de Madera (Mínimo de 27" a 30")**
- D = Altura del Marco de Madera



## **⚠ ADVERTENCIA DE SEGURIDAD**

**LA CAMPANA PODRÍA TENER EXTREMOS SUMAMENTE FILOSOS; FAVOR DE UTILIZAR GANTES PROTECTORES SI VA A RETIRAR CUALQUIER PIEZA PARA INSTALAR, LIMPIAR O DARLE SERVICIO.**

**NOTA: TENGA MUCHO CUIDADO AL UTILIZAR UN DESTORNILLADOR ELÉCTRICO; PODRÍA CAUSAR DAÑOS A LA CAMPANA.**



## - Para la Instalación del Inserto -

### Preparación Antes de la Instalación

NOTA: PARA EVITAR CAUSAR DAÑOS A SU CAMPANA, EVITE QUE DESECHOS PENETREN EN LA RENDIJA DE VENTILACIÓN

- Decida la ubicación para colocar el conducto de ventilación de la campana hacia el exterior. Consulte la Figura 1.
- Un ducto de escape recto y corto permitirá que la campana trabaje con más eficiencia.
- Intente evitar tantas conexiones, codos y ductos largos como sea posible. Esto podría reducir el rendimiento de la campana.
- Antes de instalar, conecte temporalmente la campana para verificar que funcione adecuadamente.
- **Importante: Retire la película protectora de la campana, si hubiera alguna.**
- Utilice cinta de aislar (duct tape) para sellar las uniones entre las secciones de los conductos.

**⚠ PRECAUCIÓN:** Si es necesario mover la estufa para poder instalar la campana, desconecte el suministro eléctrico de la estufa eléctrica desde la caja eléctrica principal. **CIERRE EL GAS ANTES DE MOVER UNA ESTUFA DE GAS.** Y utilice una cubierta protectora para prevenir que las hornillas y/o la superficie del mostrador se dañen.

### Preparación de la Campana Personalizada

1. El marco de la campana personalizada deberá medirse según la forma y peso del inserto. Consulte las Medidas y Diagramas en la Página 63.
2. Instale la Placa Plástica utilizando 4 tornillos. Consulte la figura 2.
3. Deberá tener una base sólida (se recomienda madera contrachapada de 3/4 pulgadas de grueso) para sostener el peso del inserto.
4. Si se instalará una cubierta opcional, los lados del marco de madera deberán ser sólidos (se recomienda madera contrachapada de 3/4 pulgadas de ancho)
5. Se recomienda la instalación de un montante soporte posterior y delantero (no incluido). Consulte la figura 3. El montante posterior y delantero se coloca en 1-1/2" de abajo para arriba desde la base del marco de madera. Para propósitos de seguridad, se han proporcionado agujeros adicionales para la instalación a un lado del inserto. Prepare el montante lateral de ser necesario.

### Instalación de la Cubierta

6. El marco de madera personalizado deberá tener una base sólida para poder colocar el recorte del inserto. La base deberá estar empotrada para acomodar la altura de la cubierta (Ver las dimensiones de la cubierta en la Página 64).
7. Fije la cubierta en la parte inferior de la base utilizando tornillos

Figura 1

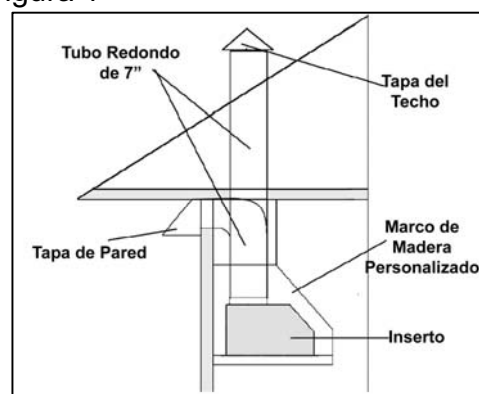


Figura 2

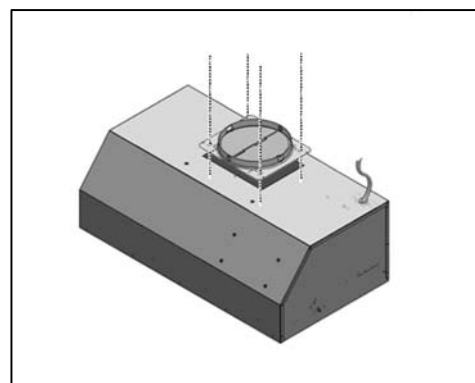
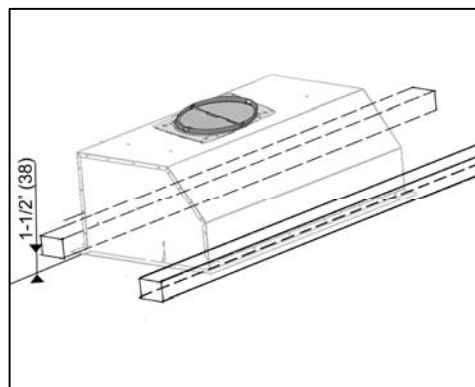


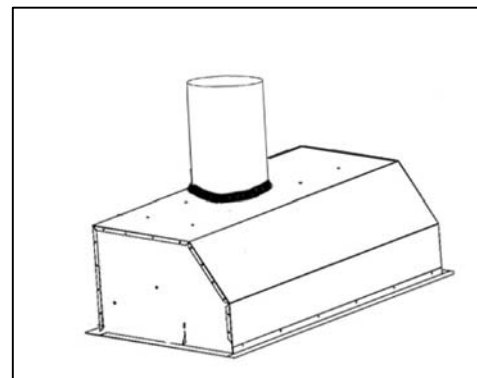
Figure 3



(no incluidos) adecuados para el tamaño y material del marco de madera.

8. La cubierta se compone de dos secciones: una sección posterior grande precortada para el inserto y una sección delantera para una profundidad ajustable entre 23" y 25-3/4".
9. Coloque la sección posterior de la cubierta de manera que quede alineada con el extremo posterior del marco de madera personalizado. Utilice un bolígrafo para trazar el contorno del área precortada. Remueva la cubierta y continúe con la Preparación de la Campana Antes de la Instalación.
10. Instale la sección posterior de la cubierta utilizando 6 tornillos (no proporcionados).
11. Instale la sección delantera de la cubierta utilizando 3 tornillos (no proporcionados).
12. Diríjase a la Instalación de la Campana en la Página 56.

Figura 4



### Cableado Hacia la Fuente de Alimentación

#### **⚠️ ADVERTENCIA DE SEGURIDAD**

**RIESGO DE ELECTROCUCIÓN. ESTA CAMPANA DE EXTRACCIÓN DEBERÁ TENER UNA CONEXIÓN A TIERRA ADECUADA. ASEGÚRESE QUE ESTO SE REALICE POR UN ELECTRICISTA CALIFICADO Y DE ACUERDO CON TODOS LOS CÓDIGOS ELÉCTRICOS NACIONALES Y LOCALES CORRESPONDIENTES. ANTES DE CONECTAR LOS CABLES, DESCONECTE EL SUMINISTRO ELÉCTRICO EN EL PANEL DE SERVICIO Y CIERRE BAJO LLAVE EL PANEL PARA PREVENIR QUE LA UNIDAD SE ENCIENDA ACCIDENTALMENTE.**

13. Antes de instalar, conecte temporalmente la campana para verificar que funcione adecuadamente. Si el inserto no funcionara, revise el interruptor de circuito o los fusibles de la casa. Si aún así el inserto no funcionara, desconecte el suministro eléctrico y verifique la continuidad de todo el cableado.
14. Conecte los cables eléctricos.
15. Conecte tres cables (negro, blanco y verde) con los cables de la casa y tape con conectores de cables. Conecte los cables según su color (por ejemplo, negro con negro, blanco con blanco y verde con verde). Ver Figura 3.
16. Guarde los cables en la caja del cableado.  
Nota: Conecte todos los cables eléctricos antes de instalar el inserto. NO encienda la corriente hasta que haya terminado con la instalación.

### Instalación de la Red de Conductos

17. Utilice un tubo de acero de 7" (según las leyes de construcción en su área) para conectar los ductos de la campana con la red de conductos arriba. Utilice cinta de aislar (duct tape) para sellar las uniones según se muestra en la Figura 4.
18. Por favor, consulte las leyes locales respecto a la utilización del regulador (no incluido).

## Preparación de la Campana antes de la Instalación

**⚠ PRECAUCIÓN:** Si es necesario mover la estufa para poder instalar la campana, desconecte el suministro eléctrico de la estufa eléctrica desde la caja eléctrica principal. **CIERRE EL GAS ANTES DE MOVER UNA ESTUFA DE GAS.**

19. Determine y marque las líneas de centro en la base del marco de madera en donde se instalará el inserto.
20. Determine y haga todos los cortes necesarios en la pared o techo para los conductos. Nota: Instale la red de conductos antes de instalar el inserto.
21. Determine la ubicación adecuada para el Cable de Alimentación. Haga un orificio de acceso para el cableado utilizando una broca. Instale el cable y selle el espacio alrededor de orificio.
22. Corte la abertura en donde se instalará el inserto. (Figura 5)

## Instalación de la Campana

NOTA: UTILICE SOLAMENTE HERRAMIENTAS MANUALES. NO APRIETE DEMASIADO LOS TORNILLOS. PODRÍA DAÑAR LA CAMPANA.

23. Remueva los 4 tornillos ubicados en la parte inferior del inserto. (Figura 6) Remueva lentamente el panel de soporte de la luz y desenchufe todas las conexiones como se muestra en la Figura 7.
24. Instale el soporte de la carcasa de la campana (proporcionado en el paquete de tornillos). Ajuste el nivel del mecanismo de fijación de acuerdo con el grosor de la base (se recomienda madera contrachapada de 3/4 de grueso). Apriete los tornillos (incluidos) para fijar como se muestra en la Figura 8.
25. Instale el inserto dentro del marco de madera personalizado.
26. Instale el inserto utilizando los agujeros de montaje posteriores y delanteros ubicados a 1-1/2" (38mm) desde la base del inserto (tornillos no incluidos).
27. Para lograr una instalación más segura, utilice los agujeros de montaje ubicados en el lado del inserto.
28. Asegúrese que el inserto esté bien sujeto antes de soltarlo.
29. Coloque nuevamente el panel de soporte de la luz. (No apriete demasiado los tornillos.)

**⚠ PRECAUCIÓN:** ASEGÚRESE QUE LA CAMPANA ESTE BIEN SUJETA ANTES DE SOLTARLA.

Figura 5

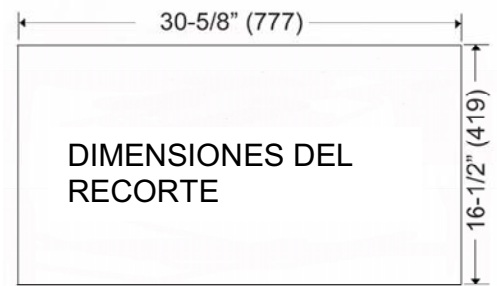


Figura 6

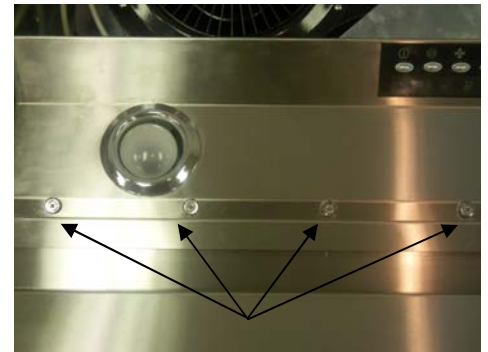
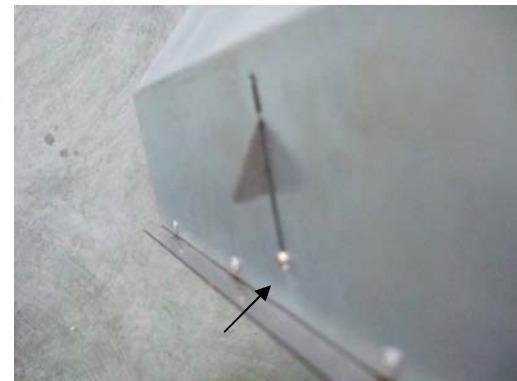


Figura 7



Figura 8



## Ensamblaje Final

30. Instale el conducto para aceite en el soporte del área vacía (del hueco) cerca de la parte posterior de la campana. Consulte la Figura 9.
31. Instale los Filtros de Deflectores. Coloque el filtro deflector en ángulo hacia la parte posterior de la campana ①. Empuje el filtro deflector hasta que casi se encuentre a nivel ②. Deslice hacia delante hasta que se acomode en el área vacía (en el hueco) detrás de la parte delantera de la campana ③. Baje el filtro deflector ④. Deslícelo hacia atrás hasta que se acomode en su lugar ⑤ Consulte la Figura 10.

Figura 9

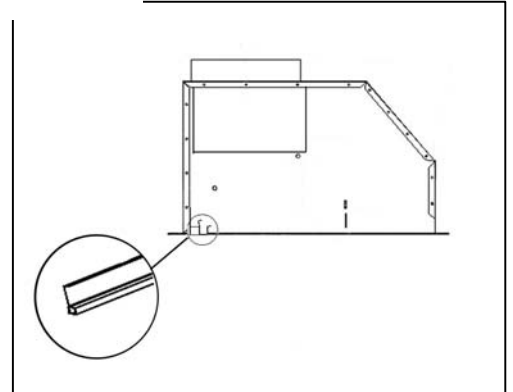
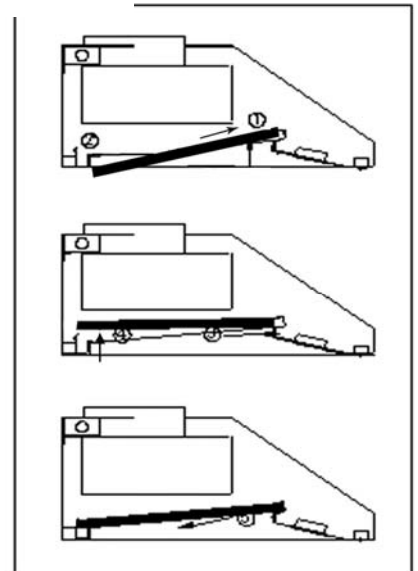


Figura 10



## INSTRUCCIONES DE OPERACIÓN

Esta campana de extracción KOBE viene equipada con cinco botones electrónicos con un sistema de LEDs, un control inalámbrico de seis botones, Jaula de Ardilla Horizontal Doble con un filtro deflector de acero inoxidable, control de sensor integrado (ISC), dos receptáculos para foco brillante de 120V 35W y un conducto para aceite.

Los cinco botones de control son: Control Encendido/Apagado, Control de Velocidad (Alta, Media, Baja y Modo Silencioso-QuietMode™), Control Automático, Control de Temporizador y Control de Luz. Consulte la Figura 11.

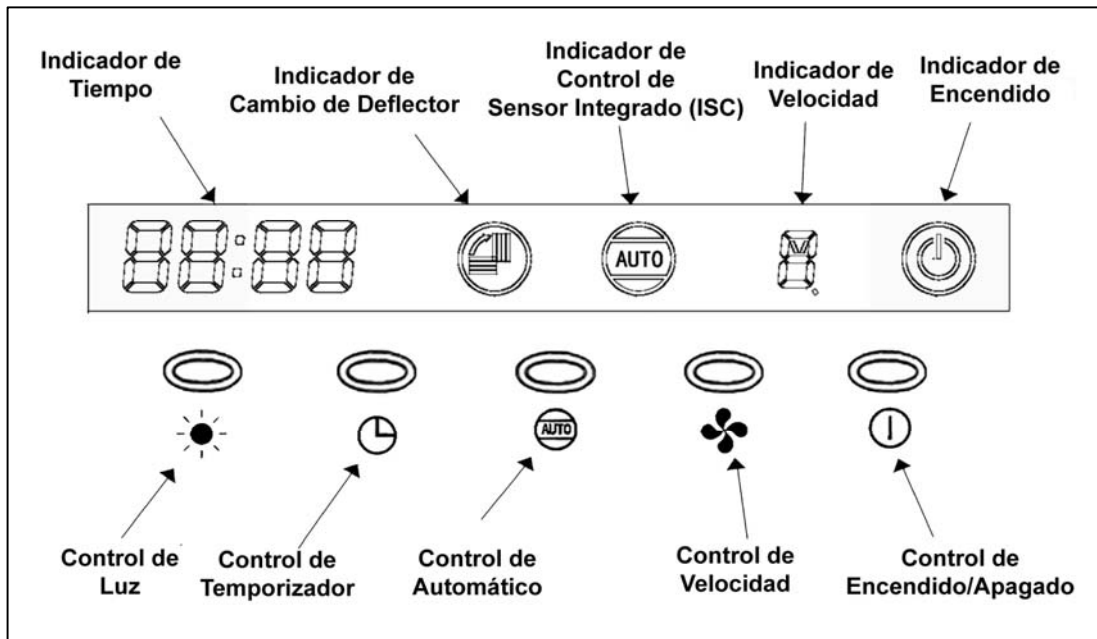


Figura 11

Nota: Para obtener mejores resultados, coloque el extractor en el modo silencioso-QuietMode™ antes de preparar alimentos o cocinar. Ajuste la velocidad según sea necesario.

### Control Encendido/Apagado

Oprima el Control Encendido/Apagado para encender o apagar el extractor.

Pantalla:



### Control de Velocidad

(Cada vez que oprima el botón de velocidad cambiará la velocidad del ventilador entre Alta, Media, Baja y Modo Silencioso-QuietMode™.

La Pantalla Indicaré:



= Velocidad en Modo Silencioso - QuietMode™

**L** = Velocidad Baja  
**M** = Velocidad Media  
**H** = Velocidad Alta

### Control Automático

Oprima el Control Automático para que la campana funcione con el sensor automático. Cuando se detecte gas o variación en la temperatura\*, el extractor se encenderá automáticamente. El ventilador funcionará en la velocidad más alta y se apagará hasta que el gas se haya eliminado y se haya reducido la temperatura hasta temperatura ambiente. (\*Temperatura: Más alta que la temperatura ambiente normal.)

Pantalla:



### Control de Luz

(Las luces se controlan independientemente del control de Encendido/Apagado. Apagar la unidad no apagará las luces.)

Oprima el Control de Luz para encender las luces.

(Cada vez que oprima el Control de Luz se cambiará la intensidad de las luces entre alto, bajo y apagado.)

### Control del Temporizador

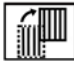
Oprima el Control del Temporizador para que comience a correr el temporizador.

Cada vez que oprima el Control del Temporizador se incrementará 1 minuto en la pantalla.

Cuando se oprima el Control del Temporizador, el ventilador se apagará automáticamente después que haya transcurrido el tiempo establecido. El temporizador varía de 1 min a 99 mins.

Para poner en cero el temporizador, oprima el Control del Temporizador dos veces.

### Indicador de Cambio del Deflector

Cuando se muestre  indicará que el filtro deflector necesita limpieza. Remueva el filtro deflector para limpiarlo.

(Para comprar filtros de repuesto, por favor contacte a su agente KOBE local o llame al 626-350-1355)

Los seis botones de control para el control remoto inalámbrico son: Control Encendido/Apagado, Control de Luz, Control de Velocidad (Alta, Media, Baja y Modo Silencioso-QuietMode™), Control de Temporizador y Control Automático. Consulte la Figura 12.

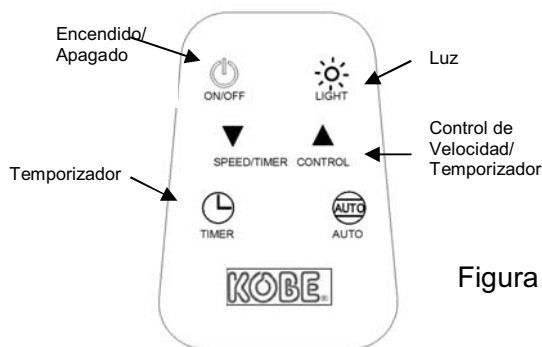


Figura 12

### Control Encendido/Apagado

Oprima el Control Encendido/Apagado para encender o apagar el extractor.

### Control de Luz

(Las luces se controlan independientemente del control de Encendido/Apagado. Apagar la unidad no apagará las luces.)

Oprima el Control de Luz para encender las luces.

(Cada vez que oprima el Control de Luz se cambiará la intensidad de las luces entre alto, medio y apagado.)

### Control de Velocidad

Oprima el Control de Velocidad para activar el Ventilador. La campana KOBE iniciará en velocidad Alta. Cada vez que oprima el botón de Control de Velocidad se cambiarán las diferentes velocidades.

Oprima ▼ para cambiar entre Alta, Media, Baja y Modo Silencioso QuietMode™

Oprima ▲ para cambiar entre Alta, Modo Silencioso QuietMode™, Baja y Media.

### Control del Temporizador

Oprima el Control del Temporizador para activar la modalidad del temporizador. El Indicador del Tiempo en la pantalla titilará.

Si no se oprime ▼ O ▲ (los botones de Velocidad/Temporizador) en 6 segundos,

la unidad saldrá automáticamente de la modalidad del Temporizador. Las flechas ▼ ▲ harán que se cambie a la función de control de velocidad.

Mientras se encuentre en la modalidad del Temporizador, cada vez que oprima ▼ reducirá el tiempo por 1 minuto.

Mientras que cada vez que oprima ▲ se incrementará el tiempo por 1 minuto.

Media vez haya configurado el temporizador, luego de 6 segundos, el Indicador del Tiempo dejará de titilar y los ventiladores se apagará automáticamente después que haya transcurrido el tiempo establecido.

### Control Automático

Oprima el Control Automático para activar la función del Control del Sensor Integrado (ISC).

## MANTENIMIENTO

Para un funcionamiento óptimo, limpie la campana de extracción y todos los deflectores/separadores/filtros/conductos de aceite/recipientes para aceite con regularidad.

### Limpieza de la Superficie de la Campana

**PRECAUCIÓN: NUNCA UTILICE LIMPIADORES, ALMOHADILLAS O PAÑOS ABRASIVOS. NO UTILICE TOALLAS DE PAPEL SOBRE EL ACERO INOXIDABLE.**

\*\*\*El cuidado regular ayudará a preservar la apariencia de la campana.

1. Utilice solamente jabón o soluciones detergentes suaves. Seque las superficies utilizando un paño suave.
2. Si la campana se ve manchada (campana de acero inoxidable), utilice un limpiador para acero inoxidable para limpiar la superficie de la campana. Evite que la solución de limpieza caiga sobre o en el panel de control. Siga las instrucciones del limpiador de acero inoxidable. **Precaución:** No lo deje por mucho tiempo pues podría dañar el acabado de la campana. Utilice una toalla suave para limpiar la solución de limpieza y frote cuidadosamente cualquier área difícil de limpiar. Utilice una toalla suave y seca para secar la campana.
3. NO permita que depósitos se acumulen o permanezcan sobre la campana.
4. NO utilice lana de acero o cepillos de acero ordinarios. Pequeños pedazos de acero podrían adherirse a la superficie y causar óxido.
5. NO permita que soluciones de sal, desinfectantes, blanqueadores o compuestos de limpieza permanezcan en contacto con el acero inoxidable por periodos de tiempo prolongados. Muchos de estos compuestos contienen químicos, que podrían ser perjudiciales. Enjuague con agua después del contacto y seque con un paño limpio libre de pelusas.

### Para limpiar el Filtro Deflector/Conductos de Aceite

**PRECAUCIÓN: DRENE EL ACEITE DEL FILTRO DEFLECTOR Y CONDUCTO PARA ACEITE ANTES QUE ESTE SE DERRAME.**

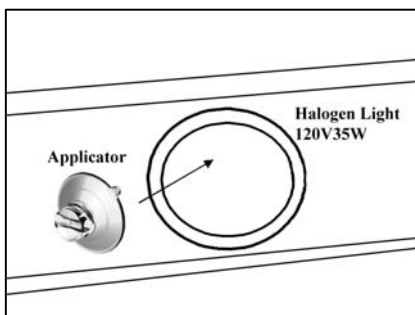
1. Remueva todos los filtros deflectores y el conducto para aceite.
2. Utilice una esponja y lávelos con agua tibia jabonosa. Séquelos completamente antes de volverlos a colocar en su lugar.

*(Nota: Los Filtros Deflectores pueden lavarse en el tramo superior del lavaplatos automático.)*

### Para Reemplazar el Foco

**⚠ PRECAUCIÓN: ¡LA UNIDAD DE LA LÁMPARA DE HALÓGENO PODRÍA ESTAR CALIENTE! ESPERE HASTA QUE SE ENFRÍE**

**NOTA: NO TOQUE LA LÁMPARA DE HALÓGENO CON LAS MANOS DESPROTEGIDAS, PUES PODRÍA CAUSAR SOBRECALENTAMIENTO Y REDUCIR EL TIEMPO DE VIDA DE LOS FOCOS.**



1. Aplicar el aplicador en la lámpara halógena y de vuelta hacia la derecha para liberar el aparato



## ESPECIFICACIONES

MODELO / TAMAÑO	IN2636SQB-1			
COLOR	Acero Inoxidable de Clasificación Comercial Calibre 18			
CONSUMO / AMPERIOS	290W / 2.5A			
VOLTAJE	120V 60Hz			
NUMERO DE MOTORES	1			
TIPO DE VENTILADOR: CENTRIFUGO	Jaula de Ardilla Horizontal Doble			
EXTRACTOR	Circular Superior de 8" con Regulador			
CONTROLES	5 Botones con sistema de LEDs Remoto Inalámbrico de 6 Botones  - Apagado con Retraso Variable			
FOCOS DE HALÓGENO	120V 35W Max. x 2			
DIMENSIONES DE LA CAMPANA (ANCHO X PROFUNDIDAD X ALTO)	32-9/16" x 18-1/2" x 10-9/16"			
ACCESORIOS OPCIONALES (ANCHO X PROFUNDIDAD X ALTO)	Cubierta Ajustable de 2 Piezas Modelo No.: INL36252A (36" x 23" to 25" x 3") Modelo No.: INL42252A (42" x 23" to 25" x 3") Modelo No.: INL48252A (48" x 23" to 25" x 3")			
PESO DE LA CAMPANA (lbs)		<u>Neto</u>		<u>Bruto</u>
	IN2636SQB-1	51	63	
Capacidad de Aire del Ventilador (cfm)	QuietMode™	Baja	Media	Alta
	250	460	560	700
Sonio*	1.3	3.5	5.0	6.0
dB	44.6	58.0	63.5	66.0

\*Un Sonio equivale a 40 decibeles.

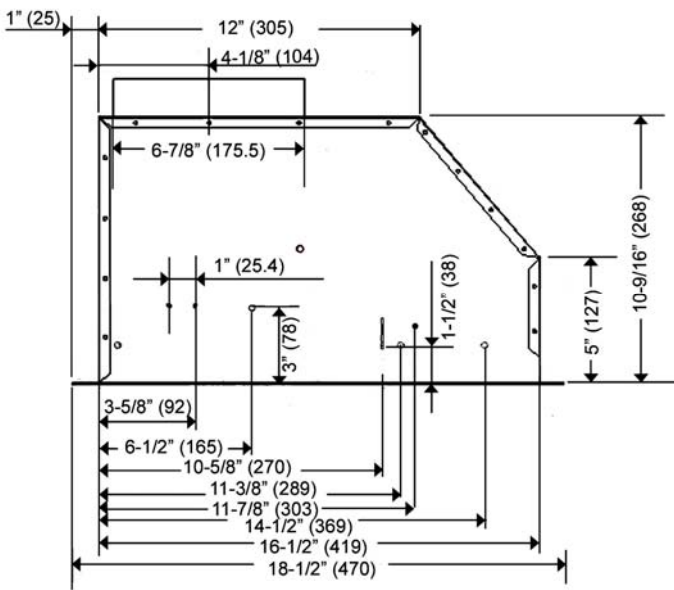
\*\*Las especificaciones están sujetas a cambio sin previo aviso.

# MEDIDAS Y DIAGRAMAS

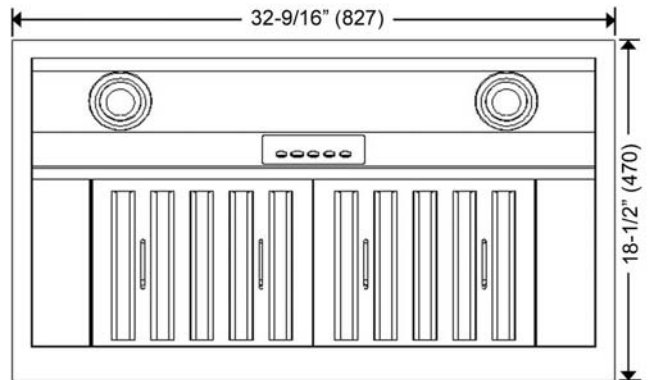
- ◆ Todas las medidas ( ) están en milímetros.
- ◆ Todas las medidas en pulgadas han sido convertidas de milímetros. Las medidas en pulgadas son medidas aproximadas.

MODELO NO: IN2636SQB-1

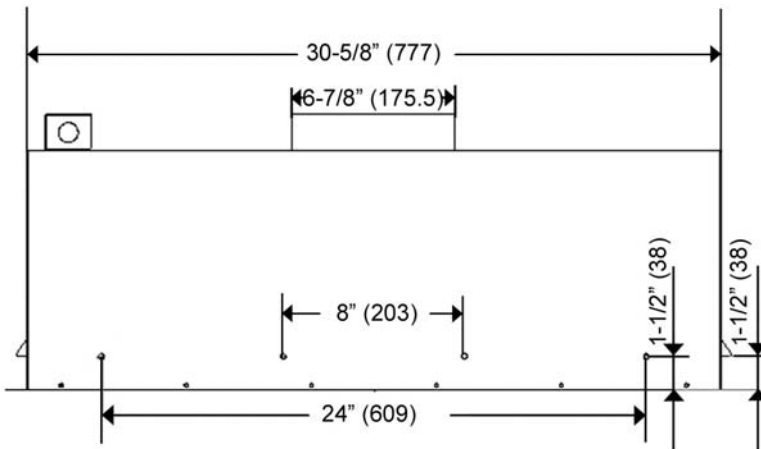
Vista Lateral



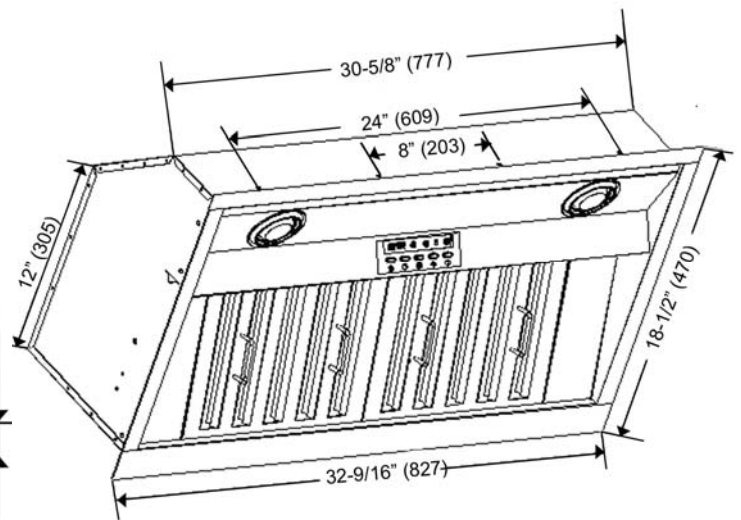
Vista Inferior



Vista Posterior



Vista de Frente

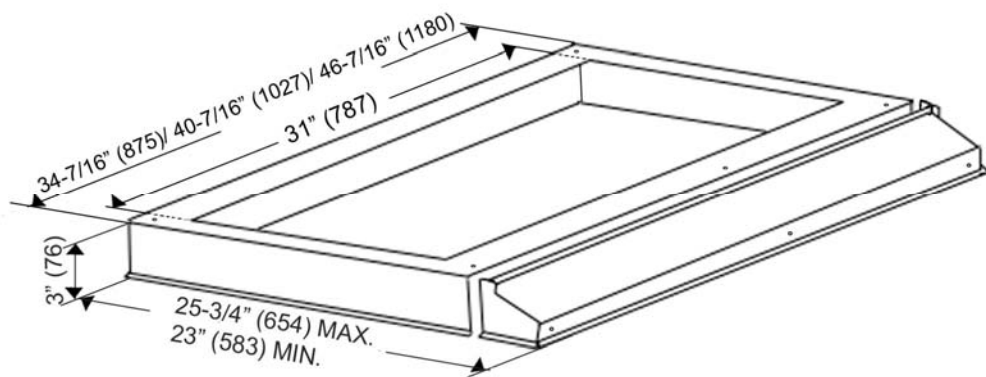


**Cubierta de Acero Inoxidable (Vendida por Separado)**

**Modelo No. INL36252A**

**Modelo No. INL42252A**

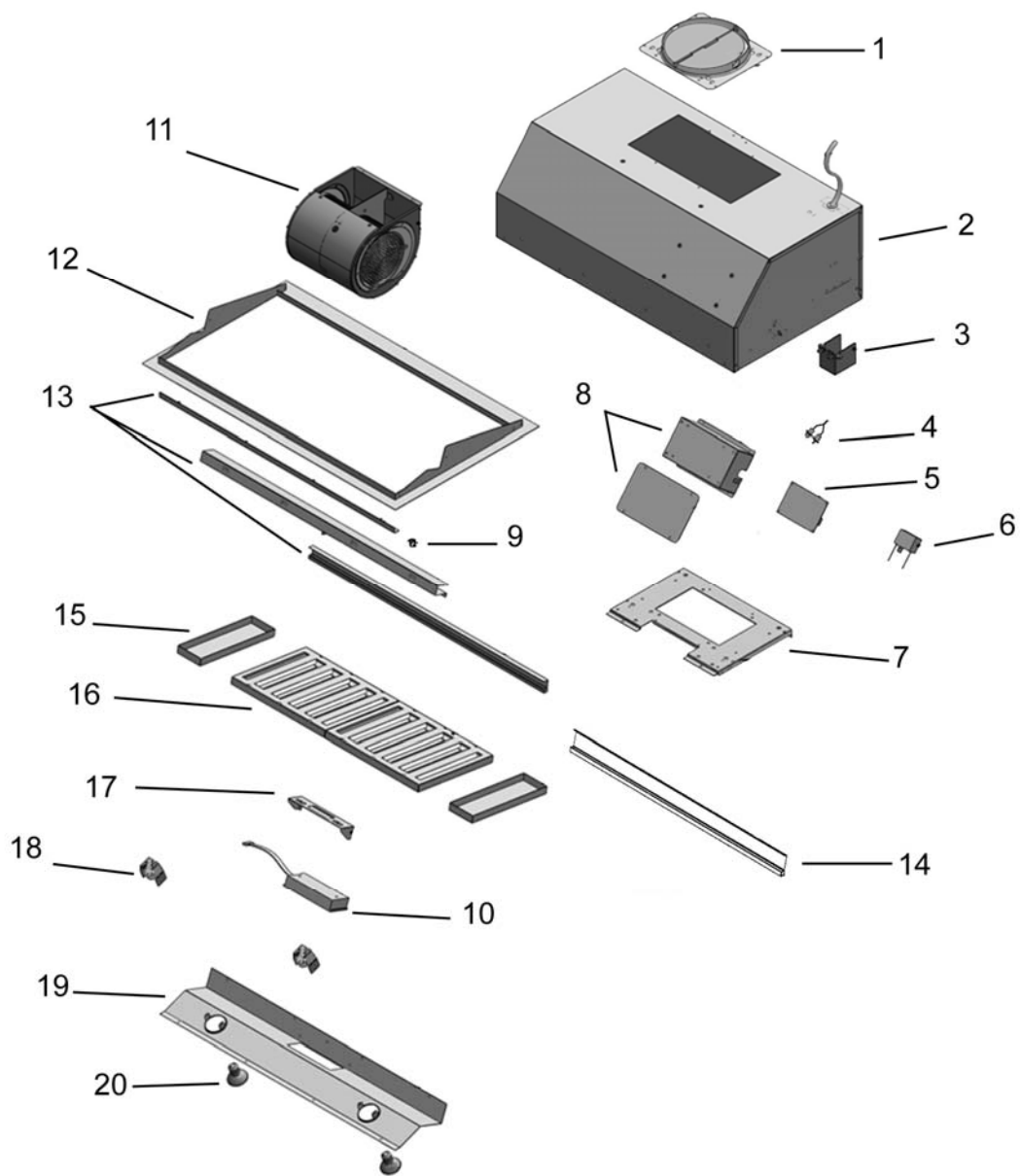
**Modelo No. INL48252A**



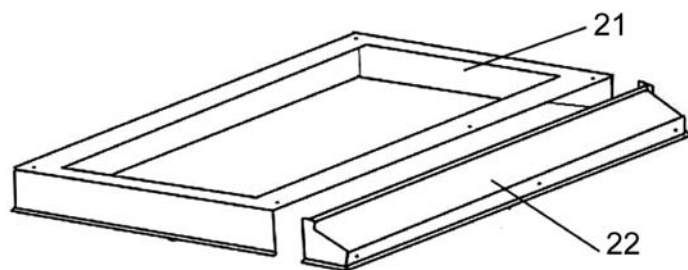
## LISTADO DE PIEZAS

**MODELO NO: IN2636SQB-1**

NO.	DESCRIPCIÓN	MODELO / TAMAÑO	PIEZA NO.
1	Placa Plástica		XP26618 / GP056010
2	Carcasa de la Campana		GP054710
3	Caja de Cableado Eléctrico		XP14441
4	Control del Sensor Integrado (ISC)		IN2636-100-01
5	Placa de Procesador		IN2636-101-01
6	Condensador		XP22420
7	Panel de Soporte		GP055807
8	Caja de la Placa de Procesador		GP055607 / GP055707
9	Sensor Indicador		IN2636-102-01
10	Unidad de Control		IN2636-103-01
11	Motor		MT023
12	Carcasa Inferior		GP054806
13	Soporte del Filtro Deflector		GP055006 / Q0192 / GP055106
14	Oil Tunnel		IN2636-104-01
15	Espaciadores		GP055206
16	Filtros Deflectores		Q0193
17	Soporte de la Unidad de Control		GP055507
18	Receptáculo de Luz		XP26624
19	Panel de Soporte de Luz		GP054906
20	Unidad de Lámparas de Halógeno		XP27401
<b>Cubierta Opcional (Vendida por Separado)</b>			
21	Sección Posterior de la Cubierta	INL36252A	IN2636-12-01
	Sección Posterior de la Cubierta	INL42252A	IN2636-13-01
	Sección Posterior de la Cubierta	INL48252A	IN2636-14-01
22	Sección Delantera de la Cubierta	INL36252A	IN2636-12-02
	Sección Delantera de la Cubierta	INL42252A	IN2636-13-02
	Sección Delantera de la Cubierta	INL48252A	IN2636-14-02

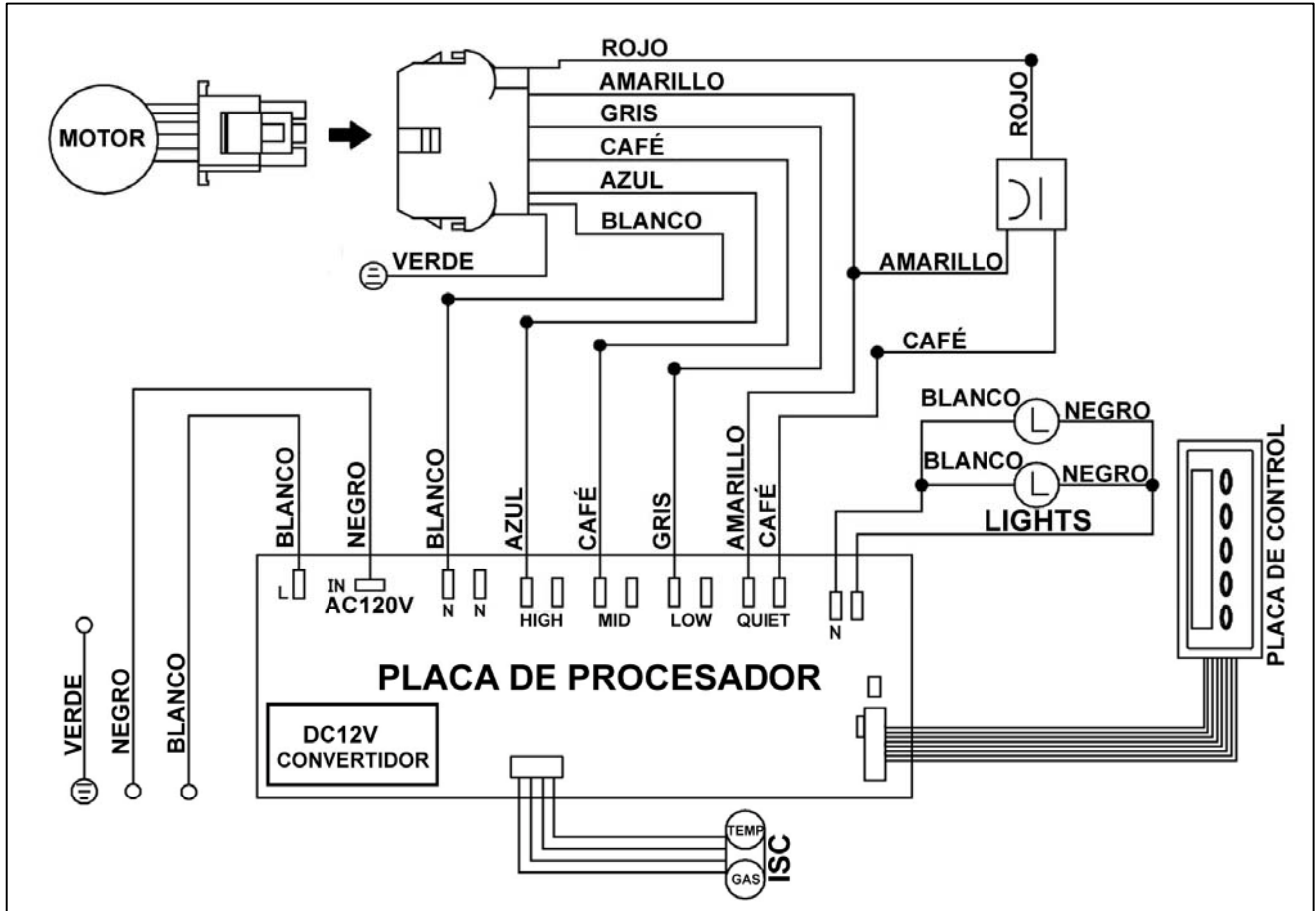


Cubierta Opcional (Vendida por Separado)



# DIAGRAMA DE CIRCUITO

MODELO NO.: IN2636SQB-1



## INSTRUCCIONES IMPORTANTES DE SEGURIDAD

Problema	Posible Causa	Solución
Después de la Instalación, ninguno de los motores ni las luces están funcionando.	No está encendido.	Asegúrese que el interruptor de circuitos y la unidad se encuentren encendidos. Utilice un medidor de voltaje para verificar la energía de entrada.
	La conexión de cables no está bien sujeta.	Verifique y ajuste la conexión de cables.
	El cableado del panel de control y la placa de procesador está desconectado.	Verifique la continuidad del cable desde el panel de control hasta la placa de procesador.
	El transformador del motor está defectuoso.	Verifique la entrada y salida de la corriente el transformador del motor. De ser necesario, reemplace el transformador del motor.
	El panel de control y la placa de procesador están defectuosos.	Reemplace el panel de control o la placa de procesador.
Las luces están funcionando pero el(los) motor(es) no.	El/los motor(es) está(n) defectuoso(s).	Reemplace el motor.
	El/los condensador(es) está(n) defectuoso(s).	Reemplace el(los) condensador(es).
	El panel de control o la placa de procesador están defectuosos.	Reemplace el panel de control o la placa de procesador.
La campana de extracción está vibrando.	El sistema de ventilador no está bien sujeto.	Tighten the turbine impeller/squirrel cage and air chamber.
	El impulsor de turbina/jaula de ardilla no está balanceado.	Ajuste el impulsor de turbina/jaula de ardilla y la cámara de aire.
	La campana no está bien sujeta en su lugar	Verifique la instalación de la campana, ajuste el soporte de montaje.
La campana de extracción no está ventilando correctamente.	La campana de extracción no se encuentra instalada en el espacio recomendando por el fabricante.	Ajuste el espacio entre la campana y la parte superior de la estufa a 27" a 30". Para la campana de cocina de isla, el espacio entre la campana y la parte superior de la estufa deberá ser de 30" a 36"
	No hay aire de reposición en la casa.	Abra la ventana para optimizar el rendimiento de la campana de extracción creando suficiente aire de reposición.
	Una obstrucción bloquea la red de conductos.	Remueva todas las obstrucciones de la red de conductos.
	El tamaño del tubo es más pequeño que el tubo recomendado.	Cambie los tubos de acuerdo con la recomendación del fabricante.
Aire frío entra en la casa	La conexión de los conductos no está sellada correctamente.	Verifique la instalación de los tubos
	El regulador no está instalado adecuadamente o no ha sido instalado.	Verifique la instalación del regulador.
	El regulador no está instalado.	Instalar el regulador le ayudará a eliminar el reflujó de aire.

## CLÁUSULA DE EXENCIÓN

1. **INSPECCIONE CUIDADOSAMENTE TODOS LOS ARTÍCULOS VERIFICANDO QUE NO EXISTAN DAÑOS ANTES DE ACEPTAR LA ENTREGA. ANOTE CUALQUIER DAÑO EN LA FACTURA DE TRANSPORTE O EN EL RECIBO. PIDA EL NOMBRE Y FIRMA DEL AGENTE DE TRANSPORTE Y CONSERVE UNA COPIA PARA RESPALDAR SU RECLAMO.**

Al momento de aceptar los artículos, el propietario asume la responsabilidad de que lleguen de manera segura. Reporte los daños al transportista y presente un reclamo inmediatamente. El no hacerlo podría resultar en un rechazo de su reclamo. El transportista le entregará los formularios necesarios para presentar un reclamo.

**LOS DAÑOS CAUSADOS DURANTE EL TRANSPORTE NO SE ENCUENTRAN CUBIERTOS BAJO NUESTRA GARANTÍA.**

2. **POR FAVOR, ¡INSPECCIONE LOS CONTENIDOS DEL PAQUETE(S) CUIDADOSAMENTE AL RECIBIRLOS!**

Se nos deberá notificar por escrito sobre cualquier daño y/o piezas faltantes dentro del periodo de días establecidos luego de haber recibido su paquete(s). Contacte a su distribuidor o concesionario KOBE o llame a KOBE para obtener información sobre el límite de tiempo.

**LOS RECLAMOS NO SERÁN ACEPTADOS DESPUÉS DEL PERIODO DE DÍAS ESTABLECIDOS.**

NOTA: LOS ARTÍCULOS FUERON SOMETIDOS A PRUEBAS Y EMPACADOS CUIDADOSAMENTE EN NUESTRA FABRICA ANTES DE SU ENVÍO.

3. Los productos deberán ser devueltos en buen funcionamiento con TODAS las piezas y documentación originales empacados en TODAS los cartones, rellenos y cajas de envío originales. Se cobrará una tarifa por reposición de existencias del 25% para todas las devoluciones aprobadas.

**LOS CAMBIOS O DEVOLUCIONES PODRÍAN NO ACEPTARSE SI FALTARA ALGÚN MATERIAL DE EMPAQUE.**

4. **ASEGÚRESE DE INSPECCIONAR LA CAMPANA VERIFICANDO QUE NO EXISTAN DAÑOS O DEFECTOS ANTES DE INSTALARLA.** Las imperfecciones en la apariencia de la campana que se encuentren después de que ésta haya sido instalada y que no afecten el rendimiento de la misma, no se encuentran cubiertas bajo nuestra garantía sobre devoluciones o cambios. Las visitas de servicio que no se encuentran cubiertas bajo la garantía incurrirán un cargo por servicio.

A) Antes de la Instalación: Envíe de vuelta para cambio o reembolso (por favor consultar lo anterior para averiguar sobre las devoluciones aceptadas).

B) Después de la Instalación: **NO** habrá ningún cambio ni reembolso.



# GARANTÍA

## CERTIFICADO DE GARANTÍA

KOBE Range Hoods, garantiza que todos los productos fabricados o proporcionados por la compañía se encontrarán libres de defectos en cuanto a mano de obra y materiales. Sus obligaciones según esta garantía se encuentran limitadas a un periodo de dos años a partir de la fecha de compra y a reparar o reemplazar a su elección y sujeto a los términos y condiciones establecidas a continuación, cualquier pieza, que luego de ser examinada demuestre que estaba defectuosa.

### PERIODO DE SERVICIO DE LA GARANTÍA DE DOS AÑOS

Cualquier avería cubierta que ocurra dentro de un periodo de dos años a partir de la fecha de compra original que surja a causa de mano de obra o material defectuoso de fábrica será reparada (o reemplazada a nuestra discreción) sin costo alguno por parte de un Agente autorizado de KOBE Range Hoods o KOBE Range Hoods según corresponda. Tenga a la mano un comprobante de compra (o la factura original) para su verificación.

Si la campana de extracción ha sido vendida por el comprador original durante el periodo de garantía, el nuevo propietario estará protegido hasta que la garantía del comprador original se venza.

### CONDICIONES

Las siguientes condiciones aplican solamente en relación a la garantía otorgada explícitamente por este certificado.

- 1) Esta garantía aplica solamente:
  - a) dentro de EE.UU. y Canadá.
  - b) a las campanas de extracción de USO UNIFAMILIAR PRIVADO (si han sido utilizadas COMERCIALMENTE o USO MULTIFAMILIAR u otros propósitos, la garantía se anulará).
- 2) La reparación de cualquier avería a proporcionarse bajo esta garantía no se proporcionará:
  - a) si el número de identificación colocado en la campana de extracción ha sido alterado, se considera ilegible o ha sido removido;
  - b) si no se ha presentado una notificación del defecto dentro del periodo de tiempo correspondiente;
  - c) fallo de los focos de la luz o lámparas de calor;
  - d) por daños físicos;
  - e) por superficies dañadas por la utilización de agentes de limpieza químicos no adecuados;
  - f) si el aparato ha:
    - i) estado sujeto a uso inadecuado, abuso, negligencia, accidentes, instalación incorrecta o el no seguir las instrucciones de operación;
    - ii) sido conectado a fuentes eléctricas, conductos de extracción, tubos o cubierta de conductos inadecuados, incorrectos o defectuosos, u operado utilizando lubricantes contaminados o incorrectos;
    - iii) sido instalado, mantenido u operado de manera distinta a lo que se ha estipulado en las instrucciones proporcionadas por KOBE Range Hoods incluyendo el uso inadecuado de detergentes, blanqueadores o limpiadores.
  - g) por daños causados a la campana de extracción durante su transporte, entrega, instalación o al quitarla;
  - h) por daños causados por o que resulten de reparaciones conducidas por cualquier otra persona que no sea nuestro Agente de Servicio Autorizado.
  - i) ruido o vibración causada por una instalación incorrecta de la campana de extracción y/o el regulador.

- 3) El comprador será el responsable de cualquier gasto relacionado por hacer que la campana de extracción se encuentre disponible para que se le dé servicio y en caso de que la campana de extracción se encuentre instalada fuera del territorio de venta principal del minorista o el territorio de servicio del Agente autorizado de KOBE Range Hoods más cercano según corresponda, así como de cualquier gasto de viaje y cualquier costo de transporte de la campana de extracción y piezas desde y hacia el concesionario y Agente de Servicio.
- 4) El comprador deberá proporcionar un comprobante de compra junto con este certificado de garantía al presentar un reclamo.
- 5) Los daños causados durante el envío no se encuentran cubiertos bajo nuestra garantía.

### **DAÑOS EMERGENTES**

El garante no se hace responsable por ningún daño emergente. ALGUNOS ESTADOS NO PERMITEN LA EXCLUSIÓN DE DAÑOS EMERGENTES ASÍ QUE LA EXCLUSIÓN ANTERIOR PODRÍA NO CORRESPONDERLE.

### **GARANTÍAS IMPLÍCITAS/LEY ESTATAL**

Cualquier garantía implícita, incluyendo la garantía implícita de comerciabilidad y adecuación al objetivo, impuestas al momento de la venta por las leyes del estado de venta se encuentran limitadas a dos años a partir de la fecha original de compra. Algunos estados no permiten límites en cuanto a la duración de las garantías implícitas. Esta garantía le otorga derechos legales específicos y podría también incluir derechos, que varían de estado en estado.

### **SERVICIO**

Para servicio contacte a:

KOBE Range Hoods  
11775 Clark Street  
Arcadia, CA 91006  
U.S.A  
Tel: (626) 775-8880  
Correo electrónico: [customer.service@KOBERangeHoods.com](mailto:customer.service@KOBERangeHoods.com)  
Sitio de Internet: [www.KOBERangeHoods.com](http://www.KOBERangeHoods.com)

# REGISTRO DEL PRODUCTO

## Registre su Producto!

Cualquier avería cubierta que ocurra dentro de un periodo de dos años a partir de la fecha de compra original que surja a causa de mano de obra o material defectuoso de fábrica será reparada, o a nuestra discreción, la unidad será reemplazada sin costo alguno por parte de un Agente autorizado de KOBE Range Hoods o KOBE Range Hoods según corresponda. Tenga a la mano un comprobante de compra (factura original) para su verificación.

Si la campana de extracción ha sido vendida por el comprador original durante el periodo de garantía, el nuevo propietario estará protegido hasta que la garantía del comprador original se venza. Consulte la sección de la garantía para obtener la información completa sobre la cobertura de la garantía.

Este aparato ha sido fabricado, sometido a pruebas e inspeccionado según los estándares requeridos por KOBE Range Hoods.

## **POR FAVOR, ENVÍE POR CORREO SU TARJETA DE REGISTRO DE GARANTÍA Y EL COMPROBANTE DE COMPRA A:**

KOBE Range Hoods  
Warranty Registration  
11775 Clark Street  
Arcadia, CA 91006 U.S.A

## **ESCRIBA LA SIGUIENTE INFORMACIÓN PARA SUS ARCHIVOS:**

Modelo No. \_\_\_\_\_

No. de Serie \_\_\_\_\_

Fecha de Compra                    \_\_\_\_ / \_\_\_\_ / \_\_\_\_

Comprado En:

\_\_\_\_\_  
\_\_\_\_\_  
\_\_\_\_\_

**IMPORTANTE: POR FAVOR, TENGA A LA MANO UNA COPIA DE SU RECIBO DE VENTA O FACTURA AL SOLICITAR SERVICIO.**

# KOBE®

KOBE Range Hoods  
11775 Clark Street  
Arcadia, CA 91006 USA

<http://www.KOBERangeHoods.com>

This KOBE hood is made for use in the USA and CANADA only. We do not recommend using this hood overseas as the power supply may not be compatible and may violate the electrical code of that country. **Using a KOBE hood overseas is at your own risk and will void your warranty.**

Cette hotte KOBE est fabriquée pour usage aux États-Unis et au Canada seulement. Il n'est pas recommandé d'utiliser cette hotte à l'étranger puisque l'alimentation électrique pourrait ne pas être compatible et enfreindre le code de l'électricité de ce pays. **L'usage de la hotte KOBE à l'étranger est à votre propre risque et la garantie sera annulée.**

Esta campana de extracción KOBE ha sido fabricada para ser utilizada únicamente en EE.UU. y CANADÁ. No recomendamos la utilización de esta campana en el extranjero debido a que la fuente de energía podría no ser compatible y podría violar el código eléctrico de dicho país. **Utilizar una campana KOBE en el extranjero será a su propio riesgo y anulará la garantía.**

Information subject to change without notice.

VER.091209

## Free Manuals Download Website

<http://myh66.com>

<http://usermanuals.us>

<http://www.somanuals.com>

<http://www.4manuals.cc>

<http://www.manual-lib.com>

<http://www.404manual.com>

<http://www.luxmanual.com>

<http://aubethermostatmanual.com>

Golf course search by state

<http://golfingnear.com>

Email search by domain

<http://emailbydomain.com>

Auto manuals search

<http://auto.somanuals.com>

TV manuals search

<http://tv.somanuals.com>