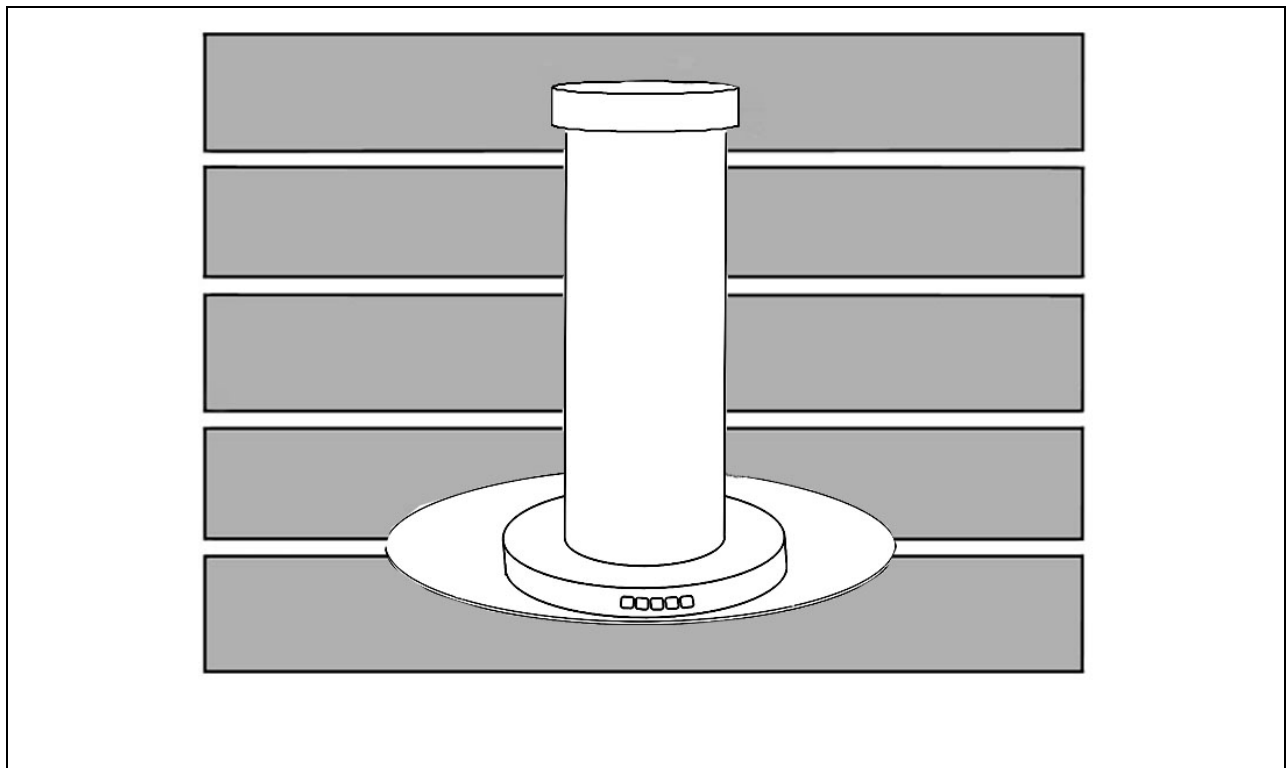


# KOBE® KOBE Brand Range Hood

Model No. IS2036GS  
IS2042GS

## IS-20 SERIES "ISLAND GLASS CANOPY"



### INSTALLATION INSTRUCTIONS AND OPERATION MANUAL

**- READ AND SAVE THESE INSTRUCTIONS -**

**CONTENTS**

IMPORTANT SAFETY INSTRUCTIONS.....	1
COMPONENTS OF PACKAGE.....	3
INSTALLATION .....	4
OPERATION INSTRUCTIONS.....	8
MAINTENANCE .....	9
SPECIFICATIONS.....	11
MEASUREMENTS & DIAGRAMS.....	12
PARTS LIST .....	13
CIRCUIT DIAGRAM .....	15
TROUBLE SHOOTING .....	16
DISCLAIMER .....	17
WARRANTY.....	18
PRODUCT REGISTRATION .....	20

**- READ ALL INSTRUCTIONS CAREFULLY BEFORE STARTING -**

ALL WIRING MUST BE DONE BY A PROFESSIONAL AND IN ACCORDANCE WITH NATIONAL AND LOCAL ELECTRICAL CODES



## IMPORTANT SAFETY INSTRUCTIONS

- PLEASE READ THIS SECTION CAREFULLY BEFORE INSTALLATION -

**⚠ WARNING:** TO REDUCE THE RISK OF FIRE, ELECTRIC SHOCK OR PERSONAL INJURY, OBSERVE THE FOLLOWING:

- 1) Installation and electrical wiring must be done by qualified professionals and in accordance with all applicable codes and standards, including fire-rated construction.
- 2) When cutting or drilling into wall or ceiling, be careful not to damage electrical wiring or other hidden utilities.
- 3) Ducted fans must be vented to the outside.
  - a) Before servicing or cleaning unit, open the light panel and SWITCH POWER OFF AT SERVICE PANEL.
  - b) Clean all grease laden surfaces frequently. To reduce the risk of fire and to disperse air properly, make sure to vent air outside. DO NOT vent exhaust air into wall spaces, attics, crawl spaces or garages.

- NOTE
- This warranty is invalid without an authorized agent's receipt or if unit is damaged due to misuse, poor installation, improper use, mistreatment, negligence or any other circumstances beyond the control of KOBE RANGE HOODS authorized agents. Any repair carried out without the supervision of KOBE RANGE HOODS authorized agents will automatically void the warranty.
  - KOBE RANGE HOODS will not be held responsible for any damages to personal property or real estate or any bodily injuries whether caused directly or indirectly by the range hood.

**⚠ WARNING:** TO REDUCE THE RISK OF PERSONAL INJURY IN THE EVENT OF A RANGE TOP GREASE FIRE:

- Keep all fan, baffle/spacer/filter/oil tunnel/oil container and grease-laden surfaces clean. Grease should not be allowed to accumulate on fan, baffle/spacer/filter/oil tunnel/oil container.
- Always turn hood ON when cooking.
- Use high settings on cooking range ONLY when necessary.
- Do not leave cooking range unattended when cooking.
- Always use cookware and utensils appropriate for the type and amount of food prepared.
- Use this unit only in the manner intended by the manufacturer.
- Before servicing, switch power off at service panel and lock service panel (if possible) to prevent power from switching on accidentally.
- Clean ventilating fan frequently.

### What to Do In The Event Of a Range Top Grease Fire

- SMOTHER FLAMES with a tight fitting lid, cookie sheet, or metal tray, and then turn off the burner. KEEP FLAMMABLE OR COMBUSTIBLE MATERIAL AWAY FROM FLAMES. If the flames do not go out immediately, EVACUATE THE AREA AND CALL THE FIRE DEPARTMENT or 911.
- NEVER PICK UP A BURNING PAN – You May Get Burned.
- DO NOT USE WATER, including wet dishcloths or towels – a violent steam blast will result.
- Use an extinguisher ONLY if:
  - a) You have a Class A, B, C extinguisher and know how to operate it.
  - b) The fire is small and contained in the area where it started.
  - c) The fire department has been called.
  - d) You can fight the fire with your back to an exit.

### What to Do If You Smell Gas

- Extinguish any open flame.
- Do not try to turn on the lights or any type of appliance.
- Open all doors and windows to disperse the gas. If you still smell gas, call the Gas Company and Fire Department right away.

## **⚠ CAUTION**

- 1) For general ventilation use only. Do not use to exhaust hazardous or explosive materials and vapors.
- 2) To reduce the risk of fire, use only metal ductwork. Sufficient air is needed for proper combustion and exhausting of gases through the flue (chimney) to prevent back drafting.
- 3) Follow the heating equipment manufacturer's guideline and safety standards such as those published by the National Fire Protection Association (NFPA), and the American Society for Heating, Refrigeration and Air Conditioning Engineers (ASHRAE), and code authorities.
- 4) Activating any switch on may cause ignition or an explosion.
- 5) Due to the size and weight of this hood, two people installation is recommended.

### **⚠ WARNING**



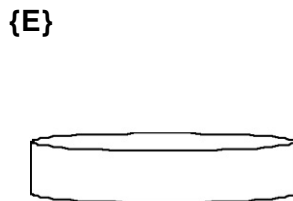
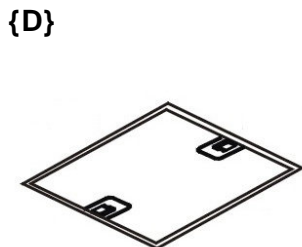
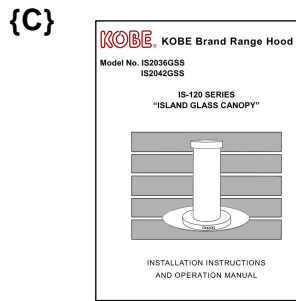
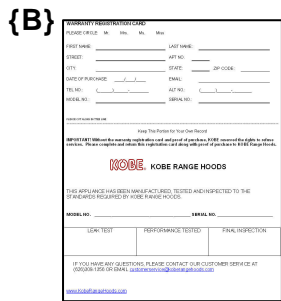
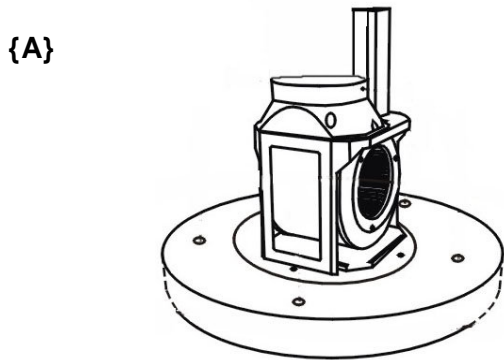
**ELECTRICAL SHOCK HAZARD – Can result in serious injury or death. Disconnect appliance from electric power before servicing. If equipped, the fluorescent light bulb contains small amounts of mercury, which must be recycled or disposed of according to Local, State, and Federal Codes.**

# COMPONENTS OF PACKAGE

**(Must keep all material for returns or refunds)**

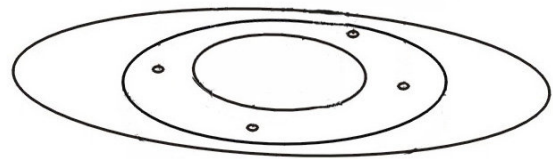
## Box 1 of 3

- {A} KOBE Range Hood
- {B} Warranty Registration Card
- {C} Instruction Manual
- {D} Stainless Filter – 1
- {E} Stainless Steel Collar– 1



## Box 2 of 3

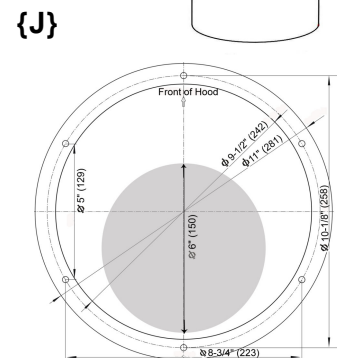
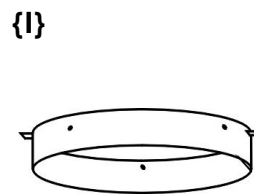
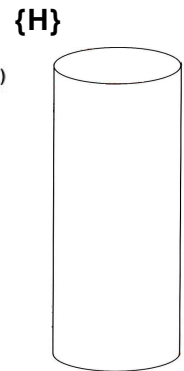
- {F} Glass Canopy – 1



## Box 3 of 3

- {G} Screws Package – 1
- {H} One Piece Duct Cover – 1
- {I} Mounting Bracket – 1
- {J} Mounting Template

- {G}
- M5 x 20 (4 pcs) and washers (4 sets)
  - M8 (4 pcs) and washers (4 pcs)
  - M5 x 10 (5 pcs)



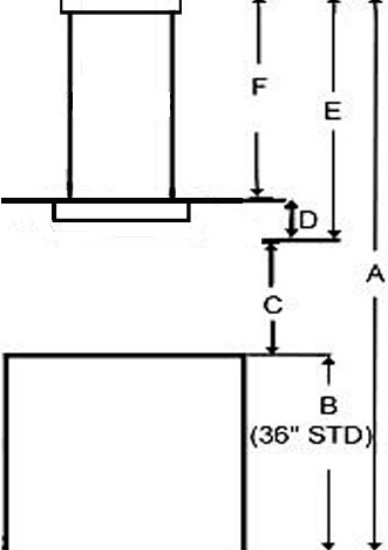
◆ OPTIONAL RECIRCULATING KIT AVAILABLE. FOR MORE INFORMATION, PLEASE VISIT OUR WEBSITE [WWW.KOBERangeHoods.COM](http://WWW.KOBERangeHoods.COM) OR CONTACT KOBE RANGE HOODS AT (626) 350-1355.

## INSTALLATION

PLEASE READ ENTIRE INSTRUCTIONS BEFORE PROCEEDING

### Calculation before Installation

To calculate installation, please refer to TABLE 1. (All calculation in inches.)

TABLE 1	
<p>A = Height of Floor to Ceiling B = Height of Floor to Counter Top (Standard: 36") <b>C = Preferred Height of Counter Top to Hood Bottom (Recommended 30" to 36")</b> D = Height of Hood E = Height of the Hood Installation [A - (B+C)] F = Height of Duct Cover [E - D]</p>	 <p>The diagram illustrates the vertical dimensions for installing a range hood. It shows a side view of the hood mounted above a counter. Dimension A is the total height from the floor to the ceiling. Dimension B is the height from the floor to the counter top, noted as a standard 36 inches. Dimension C is the distance from the counter top to the bottom of the hood. Dimension D is the height of the hood itself. Dimension E is the total height from the floor to the top of the hood's installation. Dimension F is the height of the duct cover above the hood.</p>

### **⚠ SAFETY WARNING**

**HOOD MAY HAVE VERY SHARP EDGES; PLEASE WEAR PROTECTIVE GLOVES IF REMOVING ANY PARTS FOR INSTALLING, CLEANING OR SERVICING.**

**NOTE: BE CAREFUL WHEN USING ELECTRICAL SCREWDRIVER, DAMAGE TO THE HOOD MAY OCCUR.**

## Preparation before Installation

NOTE: TO AVOID DAMAGE TO YOUR HOOD, PREVENT DEBRIS FROM ENTERING THE VENT OPENING.

- Decide the location of the venting pipe from the hood to the outside. (Figure 1)
- A straight, short vent run will allow the hood to perform more efficiently.
- Try to avoid as many transitions, elbows, and long run as possible. This may reduce the performance of the hood.
- Temporarily wire the hood to test for proper operation before installing.
- **Important: Peel protective film off the hood and duct covers, if any.**
- Use duct tape to seal the joints between pipe sections.

## Advance Planning

1. Mark centerlines of cook top or range on ceiling. Use centerlines marked on ceiling to position the mounting template as shown in Figure 2 and 3.
2. Remove and save template. Cut and remove ceiling drywall. Install 2" x 4" cross framing lumbers (not provided) between ceiling joists.
3. The framing should be spaced 10-1/8" at the front centerline and 8-3/4" on the sides to accept the mounting screw in mounting bracket. Refer to MEASUREMENTS & DIAGRAMS on pages 12.
4. Finish the ceiling surface. Be sure to mark the location of the ceiling joists and cross framing lumber.
5. Align the mounting template to the ceiling marks and tape in place. Cut the 6-1/4" duct open and an approximately 1" wire access hole. Drill holes for the 6 mounting screws as indicated on the template.
6. Align the mounting bracket to the pre-drilled holes on the ceiling and securely fasten to the joists and cross framing lumber with 6 screws (not provided). Make sure screws are driven into the center of joists and cross framing lumber for maximum support.

Figure 1

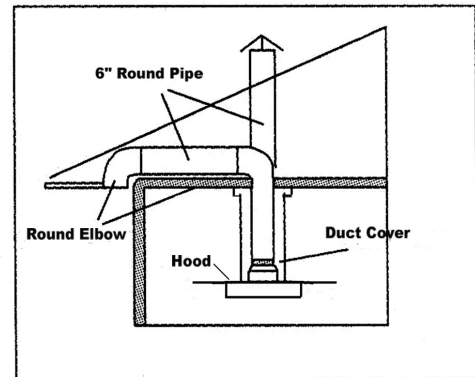


Figure 2

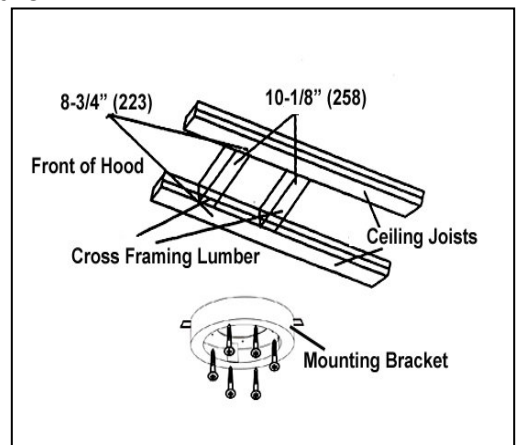
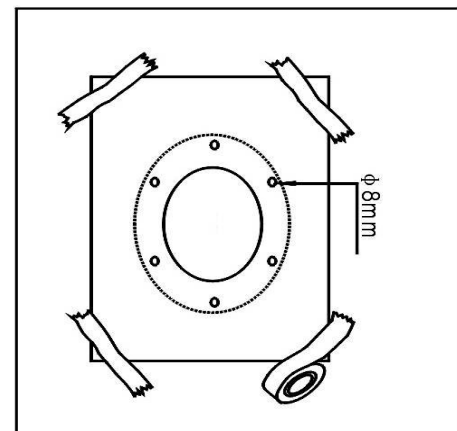


Figure 3



### SAFETY WARNING

RISK OF ELECTRICAL SHOCK. THIS RANGE HOOD MUST BE PROPERLY GROUNDED. MAKE SURE THIS IS DONE BY QUALIFIED ELECTRICIAN IN ACCORDANCE WITH ALL APPLICABLE NATIONAL AND LOCAL ELECTRICAL CODES. BEFORE CONNECTING WIRES, SWITCH POWER OFF AT SERVICE PANEL AND LOCK SERVICE PANEL TO PREVENT POWER FROM BEING SWITCHED ON ACCIDENTALLY.

7. Route house wiring into the ceiling as close to the installation location as possible. Allow additional length to drop down from the ceiling to the electrical box.
8. Connect the electrical wires according to color (black to black, white to white, and green to green) and cap with wire connectors. Green wire must be grounded to reduce risk of electrical shock.

### Ductwork Installation

9. Use 6" round aluminum or steel pipe (not provided) to connect the 6" round damper on the hood to the ductwork above. NOTE: Place 6" round duct pipe over the damper. Seal with duct tape to make all joints secure and tight. NOTE: MAKE SURE FLAPS ON DAMPER CAN OPEN & CLOSE FREELY. (Figure 6)

Figure 4

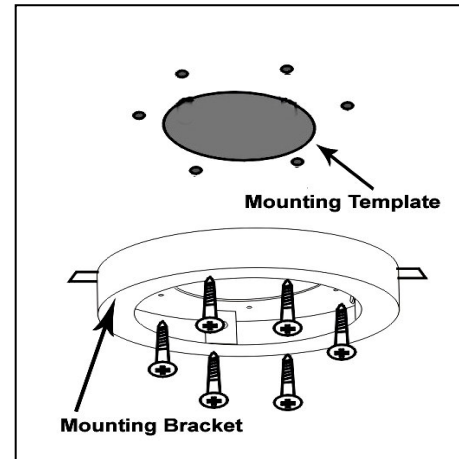


Figure 5

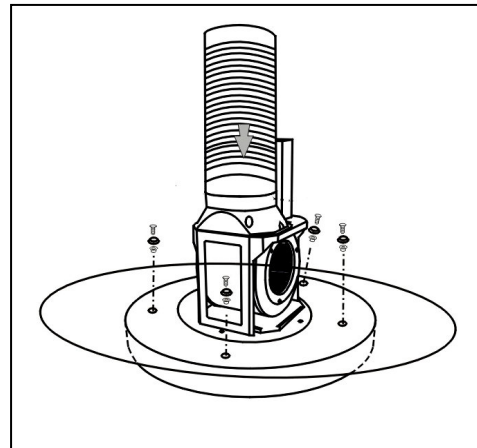
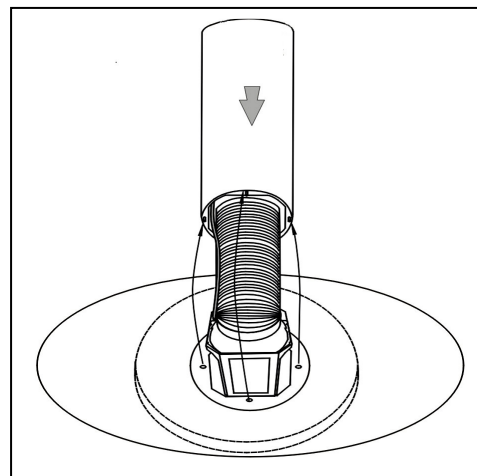


Figure 6





## Duct Cover Installation

- Slide glass canopy onto the blower system. Secure glass on the top of range hood with 4 (M5 x 20) screws and 4 washers (provided). (Figure 5)
- Slide duct cover onto the blower unit, secure underneath the blower unit with 4 (M8) nuts and 4 washers (provided). Refer to Figure 6 and 7.
- Carefully slide stainless steel collar through duct cover to the top of glass carefully. Refer to Figure 8.
- With assistance, align the duct cover to the mounting bracket and secure with 5 (M5 x 10) screws (provided). Refer to Figure 9.  
**Important: Make sure the hood orientation is correct before securing the hood.**
- Slide stainless steel collar towards the top of the duct cover. Refer to Figure 10.
- Lock stainless steel collar to left or right to secure the stainless steel collar.
- Peel protective film off the stainless steel collar.
- Place stainless steel filter in place.

## Final Assembly

- Turn power ON and check all lights and fan operation.
- Make sure to leave this manual for the homeowner.

Figure 7

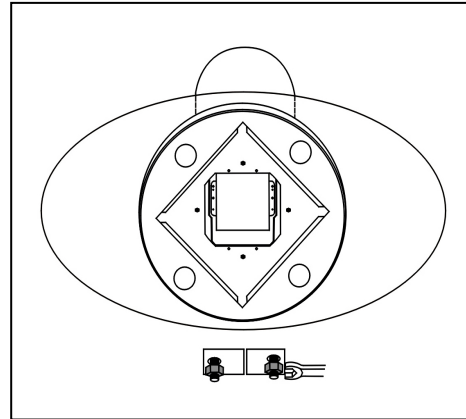


Figure 8

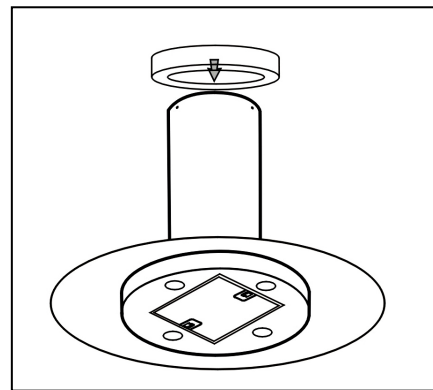


Figure 9

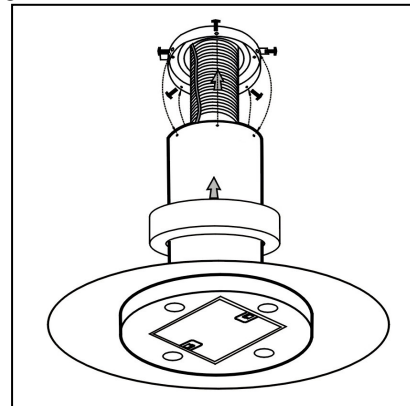
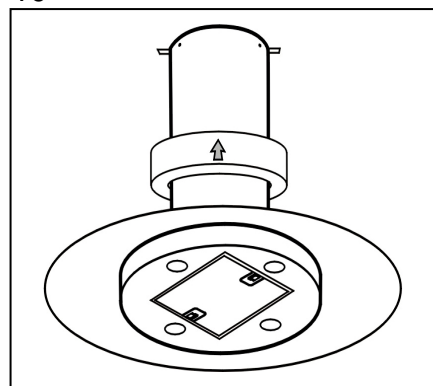


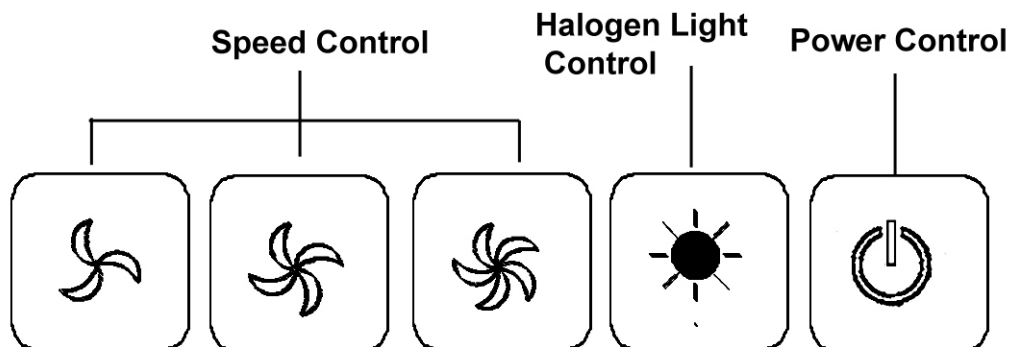
Figure 10



## OPERATION INSTRUCTIONS

This KOBE hood is equipped with five touch buttons, double horizontal squirrel cages with stainless steel filter, and four bright 12-volt /20-watt halogen lights.

The five touch buttons are Power Control (On/Off), Speed Control (High, Medium, & Low), and Light Control.



Note: For best results, turn hood to low speed prior to any preparation or cooking. Adjust speed as needed.

### Power Control

Press Power Control to turn On/Off the hood.

This unit is equipped with 1-minute delay shutoff. To activate this feature, press Power Control button once, panel lights will flash and power will be completely shut off after 1 minutes.

Press Power Control button twice, the fan will be shut off immediately.

### Speed Control

Press Speed Control to activate Low, Medium, or High Speed.

### Light Control

(Light control is separate from ON/OFF control. Turning power off will not turn lights off.)

Press Light control to turn lights ON or OFF.

## MAINTENANCE

### **⚠ SAFETY WARNING**

**NEVER PUT YOUR HAND INTO AREA HOUSING THE FAN WHILE THE FAN IS OPERATING.**

**⚠ CAUTION: NEVER USE ABRASIVE CLEANERS, PADS, OR CLOTHS. DO NOT USE PAPER TOWEL ON STAINLESS STEEL.**

For optimal operation, clean range hood and all baffle/spacer/filter/oil tunnel/oil container regularly.

\*\*\* Regular care will help preserve the appearance of the hood.

1. Use only mild soap or detergent solutions. Dry surfaces using soft cloth.
2. If hood looks splotchy (stainless steel hood), use a stainless steel cleaner to clean the surface of the hood. Avoid getting cleaning solution onto or into the control panel. Follow directions of the stainless steel cleaner. **Caution: Do not leave on too long as this may cause damage to hood finish.** Use soft towel to wipe off the cleaning solution, gently rub off any stubborn spots. Use dry soft towel to dry the hood.
3. DO NOT allow deposits to accumulate or remain on the hood.
4. DO NOT use ordinary steel wool or steel brushes. Small bits of steel may adhere to the surface and cause rusting.
5. DO NOT allow salt solutions, disinfectants, bleaches, or cleaning compounds to remain in contact with stainless steel for extended periods. Many of these compounds contain chemicals, which may be harmful. Rinse with water after exposure and wipe dry with a clean lint free cloth.

### **To Clean Baffle, Spacer, Filter, Oil Tunnel and Oil Container**

**⚠ CAUTION: DRAIN OIL FROM BAFFLES, SPACER(S), FILTERS, OIL TUNNEL(S) AND OIL CONTAINERS BEFORE OIL AND RESIDUE CAN OVERFLOW.**

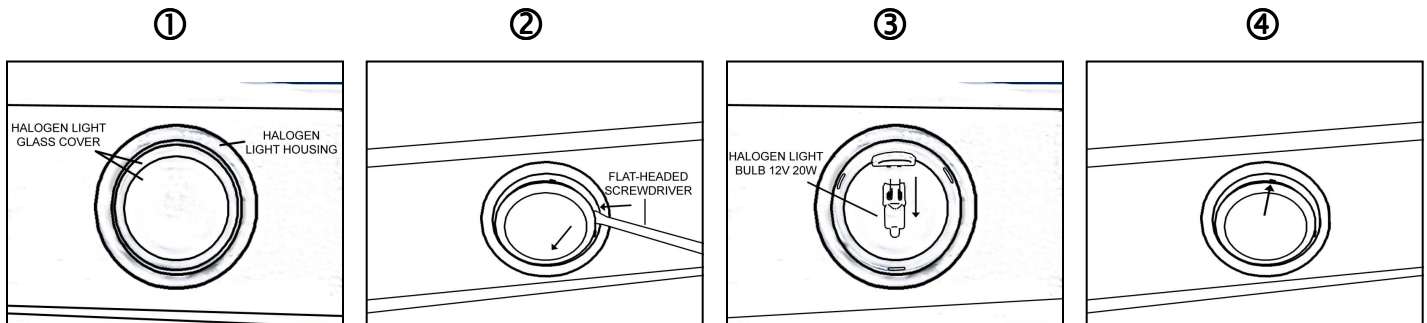
#### Cleaning Baffle Filters

1. Remove all baffles, spacer(s), and oil tunnel(s). Follow directions on page 7 in reverse.
2. Discard oil and residue.
3. Wash with warm soapy water. Dry thoroughly before replacing.  
(*Note: Stainless Steel Baffles, Spacer(s) & Oil Tunnel are top rack dishwasher safe.*)

## To Replace Halogen Light Bulbs

**CAUTION: HALOGEN LIGHT UNIT MAY BE HOT! WAIT UNTIL UNIT IS COOL.**

**NOTE: DO NOT TOUCH HALOGEN LIGHT WITH BARE HANDS, WHICH MIGHT CAUSE OVER HEAT AND SHORTEN THE LIFE OF LIGHT BULBS.**



1. Make sure all controls are OFF, and range hood is unplugged.
2. Place the flat-head screwdriver into the groove between the halogen light glass covering and the housing ①.
3. Gently separate glass covering from the housing ②.
4. Gently pull out the defective light bulb ③ and discard. Light bulbs should be 12V 20W maximum.
5. Wear a glove or use a cloth to hold the new light bulb and push securely into light socket.  
**NOTE: DO NOT PUSH TOO HARD OR YOU MAY BREAK THE BULB CONNECTOR.**
6. Put back halogen light glass cover ④.
7. Plug back power cord and turn on range hood to test for operation.

## SPECIFICATIONS

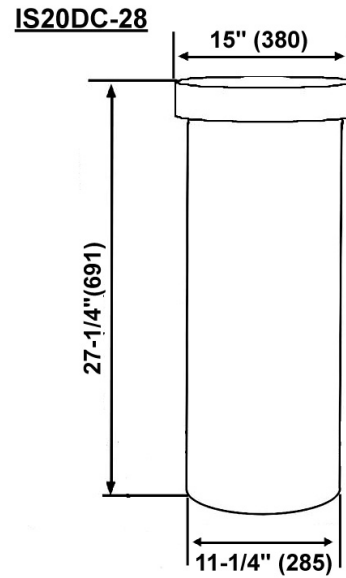
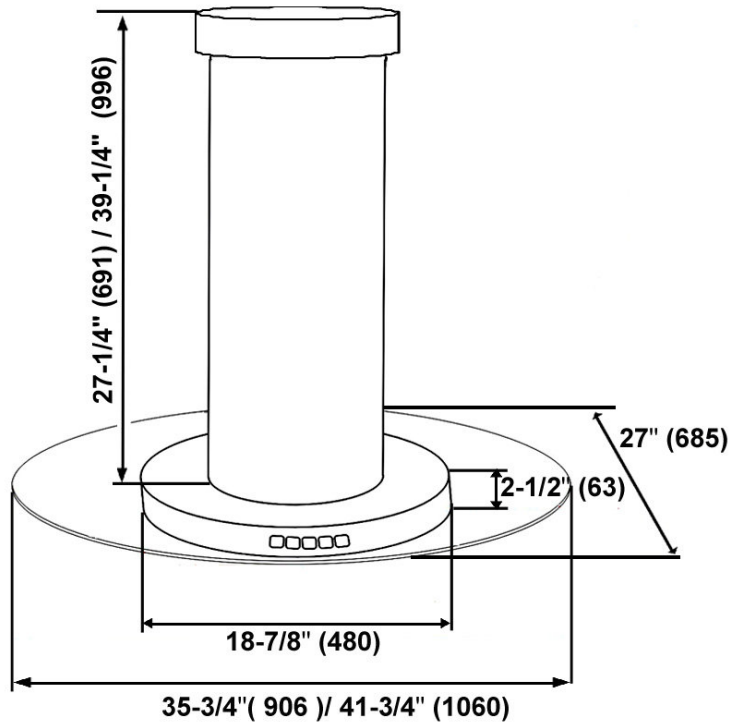
<b>BOX 1 OF 3 MODEL / SIZE</b>	IS20S – Blower Unit		
<b>BOX 2 OF 3 MODEL / SIZE</b>	IS2036GS / 36" – Glass Canopy IS2042GS / 42" – Glass Canopy		
<b>Box 3 OF 3 MODEL / SIZE</b>	IS20DC-28 – 27-1/4" Ht. Duct Cover IS20DC-40 – 39-1/4" Ht. Duct Cover		
<b>COLOR</b>	Commercial Grade Stainless Steel		
<b>CONSUMPTION / AMPERE</b>	270W / 3.0A		
<b>VOLTAGE</b>	120V 60Hz		
<b>FAN TYPE</b>	Single Horizontal Squirrel Cage		
<b>DESIGN</b>	20-Gauge Seamless / Satin Finish		
<b>EXHAUST</b>	Top 6" Round with Damper		
<b>CONTROLS</b>	5 Touch-Button (1-Minute Delay Shut Off)		
<b>HALOGEN LIGHTS</b>	12V 20W x 4		
<b>HOOD DIMENSION (W x D x H)</b>	18-7/8" x 18-7/8" x 2-1/2"		
<b>HOOD DIMENSION (With Glass and Duct Cover) (W x D x H)</b>	35-3/4" x 27" x (30" or 42")* 41-3/4" x 27" x (30" or 42")*		
<b>OPTIONAL ACCESSORIES (SOLD SEPARATELY)</b>	Recirculating Kit – Item No. RD-0020		
<b>WEIGHT (lbs)</b>		<u>Net</u>	<u>Gross</u>
	<b>(IS2036GS)</b>	18.7	30.8
	<b>(IS2042GS)</b>	22.0	34.8
	<b>(IS20DC-28)</b>	9.9	17.6
	<b>(IS20DC-40)</b>	13.2	19.8
	<b>(IS20S)</b>	13.2	28.6
<b>SPEED</b>	<b>Low</b>	<b>Medium</b>	<b>High</b>
<b>Air Capacity (cfm)**</b>	200	280	420
<b>Sone (dB)</b>	1.4 (45dB)	2.8 (55dB)	5.4 (64dB)

\*Dimension of the hood height depends on the choice of the required duct cover. Specifications subject to change without notice.

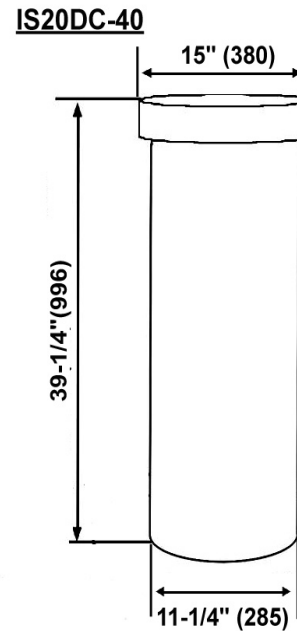
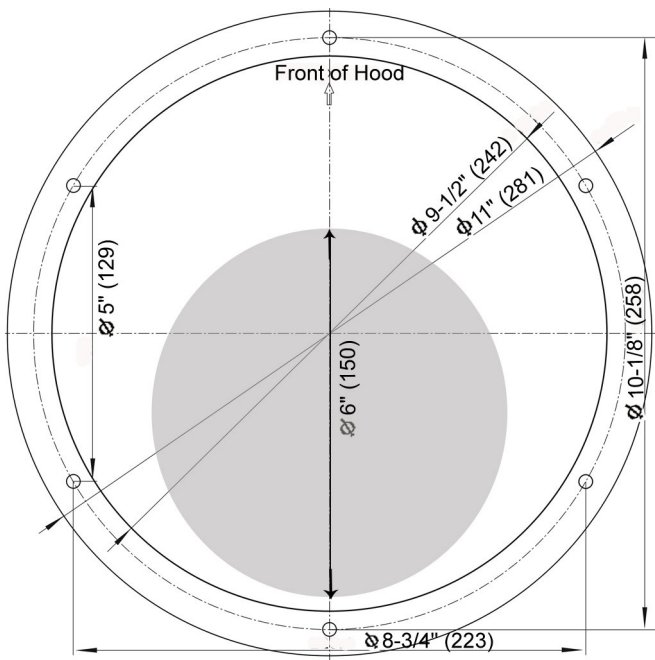
\*\*In House Test Static Pressure "0".

## MEASUREMENTS & DIAGRAMS

- ◆ All ( ) measurements are in millimeter.
- ◆ All inch measurements are converted from millimeter. Inch measurements are estimated.



\*\*\*Mounting Template



## PARTS LIST

MODEL NO.: IS2036GS  
IS2042GS

(Box 1 of 3)

ITEM NO. IS20S (Blower Unit)			
NO.	DESCRIPTION	MODEL	PART NO.
01	Wiring Box		ISL120-1
02	Light Transformer		ISL120-2
03	Capacitor		ISL120-3
04	Processor Board		ISL120-4
05	Electronic Support Panel		ISL120-5
06	Wiring Box Cover		ISL120-6
07	6" Round Damper		ISL120-7
08	Air Chamber Support		ISL120-8
09	Stainless Steel Collar		ISL120-10
10	Motor		ISL120-12
11	Motor Cover		ISL120-13
12	Air Chamber		ISL120-14
13	Squirrel Cage		ISL120-15
14	Locknut		ISL120-16
15	Blower Cover with Safety Screen		ISL120-17
16	Round Body		ISL120-19
17	Stainless Steel Filter		ISL120-20
18	Halogen Light		ISL120-21
19	Control Unit		ISL120-22
20	Control Unit Cover		ISL120-23

(Box 2 of 3)

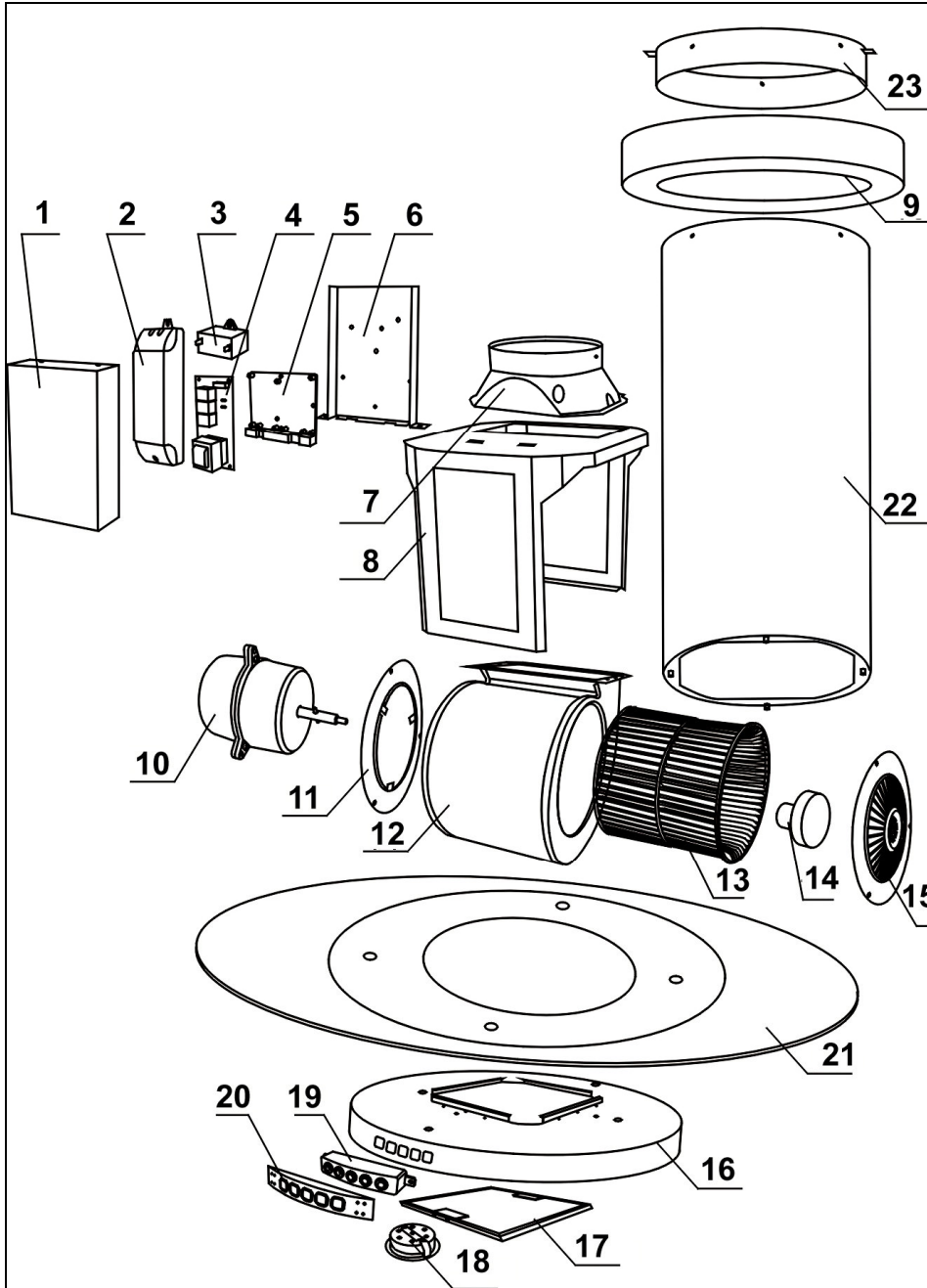
MODEL NO. IS2036GS / IS2042GS (Glass)			
NO.	DESCRIPTION	MODEL	PART NO.
21	Glass Canopy	IS2036GS	ISL120-18
		IS2042GS	ISL120-18-1

(Box 3 of 3)

ITEM NO. IS20DC-28 / IS20DC-40 (Duct cover)			
NO.	DESCRIPTION	MODEL	PART NO.
22	Duct Cover	IS20DC-28	ISL120-11
		IS20DC-40	ISL120-11-1
23	Mounting Bracket		ISL120-9

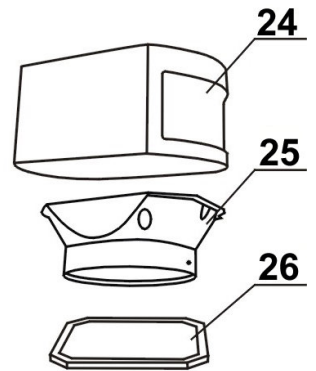
RECIRCULATING KIT – ITEM NO. RD-0020 (OPTIONAL)			
NO.	DESCRIPTION	MODEL	PART NO.
24	Box		ISL120-A
25	Exhaust Adapter		ISL120-B
26	Carbon Filter		ISL120-C

MODEL NO.: IS2036GS  
IS2042GS



**RECIRCULATING KIT**  
Item No. RD-0020

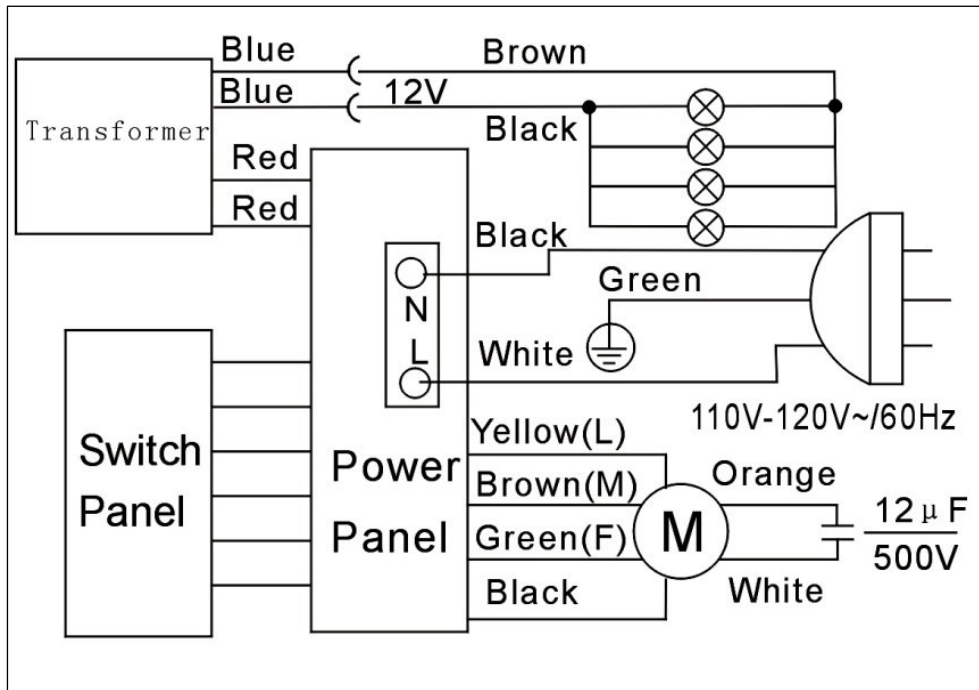
Sold Separately





# CIRCUIT DIAGRAM

MODEL NO.: IS2036GS  
IS2042GS



## Trouble Shooting

Issue	Possible Cause	Solution
After Installation, both motors and lights are not working.	The power is not on.	Make sure the circuit breaker and the unit's power is ON. Use a voltage meter to check the power supply.
	The wire connection is not secure.	Check and tighten wire connection.
	The control panel and processor board wiring are disconnected.	Check wire continuity from control panel to processor board.
	The motor transformer is defective.	Check the power input and power output on the motor transformer. If it's needed, replace the motor transformer.
	The control panel and processor board is defective.	Replace the control panel or processor board.
Lights are working, but motor(s) is not.	The motor(s) is defective.	Replace the motor.
	The capacitor(s) is defective.	Replace capacitor(s).
	The control panel or processor board is defective.	Replace the control panel or processing board.
The range hood is vibrating.	The blower system is not secure.	Tighten the turbine impeller/squirrel cage and air chamber.
	The turbine impeller/squirrel cage is not balanced.	Replace the turbine impeller/squirrel cage.
	Hood is not secured in place.	Check the installation of hood, tighten the mounting bracket.
The motor is working, but the lights are not working.	Halogen Light bulb(s) is defective.	Try placing the trouble light bulb(s) to a working socket, if the bulb(s) still doesn't work; replace the halogen light bulb(s).
	The light wiring(s) is loose.	Check wire continuity from processor board to light transformer to halogen light housing(s).
	Light transformer is defective.	Check power input and power output on the light transformer. If it's needed, replace the light transformer.
	The control panel or processor board is defective.	Replace the control panel or processing board.
The range hood is not venting out correctly.	The range hood is installed outside of the manufacture recommended clearance.	Adjust the clearance between the range hoods and cook top to 27" to 30". For Island range hood, the clearance between the range hoods and cook top is 30" to 36".
	There is no make-up air inside the house.	Open the window to enhance the performance of the range hood by creating a sufficient make-up air.
	Obstacle blocking the pipe work.	Remove all obstacles from the duct work.
	The pipe size is smaller than the suggested pipe size.	Change the ducting according to the manufacture suggestion.
Cold air is coming into the home.	The pipe connection is not properly sealed.	Check the pipe installation.
	The damper is not properly installed or is missing from the installation.	Check the damper installation.
	The damper is not installed.	By installing the damper, it will help to eliminate air backflow.

## DISCLAIMER

1. **CAREFULLY INSPECT ALL ITEMS FOR DAMAGES BEFORE ACCEPTING DELIVERY. NOTE ANY DAMAGES ON THE FREIGHT BILL OR EXPRESS RECEIPT. REQUEST NAME AND SIGNATURE OF THE CARRIER'S AGENT AND KEEP COPY TO SUPPORT YOUR CLAIM.**

Upon acceptance of items, owner assumes responsibility for its safe arrival. Report damages to the carrier and file a claim immediately. Failure to do so may result in the denial of your claim. The carrier will furnish you with necessary forms for filing a claim.

**DAMAGES CAUSED DURING TRANSIT ARE NOT COVERED UNDER OUR WARRANTY.**

2. **PLEASE INSPECT CONTENTS OF PACKAGE(S) CAREFULLY UPON RECEIVING!**

We must be notified in writing of any damages and/or missing parts within the allocated days upon your receipt of package(s). Contact your local KOBE dealer or distributor or call KOBE for the time limit.

**CLAIMS WILL NOT BE ACCEPTED AFTER THE ALLOCATED DAYS.**

NOTE: ITEMS WERE THOROUGHLY TESTED AND CAREFULLY PACKED IN OUR FACTORY BEFORE SHIPPING.

3. Products must be returned in good working condition with ALL original parts and documentation packed in ALL original cartons, fillers and shipping cartons. A restocking fee of 25% will be charged for all approved return(s).

**EXCHANGES OR RETURNS MAY NOT BE ACCEPTED IF ANY PACKAGING IS MISSING.**

4. **MAKE SURE TO INSPECT THE HOOD FOR DAMAGES AND DEFECTS BEFORE INSTALLATION.**

Appearance flaws of the hood found after installation and not affecting hood performance is not covered under our warranty for returns or exchanges. Service visits not covered under warranty will carry a service charge.

A) Before Installation: Return for exchange or refund (please see above for acceptable returns).

B) After Installation: **NO** exchange or refund.

## WARRANTY

### WARRANTY CERTIFICATE

KOBE Range Hoods, Inc. warrants all products manufactured or supplied by it to be free from defects in workmanship and materials. Its obligations pursuant to this warranty are limited to a period of two years from the date of purchase and to the repair or replacement at its option and subject to the terms and conditions stated below, of any component part, which its examination shall disclose to be so defective.

### TWO-YEAR WARRANTY SERVICE PERIOD

Any covered failure occurring within two years of original purchase arising from defective workmanship or material in manufacture will be repaired (or at our discretion, replaced) free of charge by an authorized KOBE Range Hoods Agent or KOBE Range Hoods as applicable. Keep proof of purchase (or original invoice) handy for inspection.

If the range hood is sold by the original purchaser during the warranty period the new owner is protected until expiration of the original purchaser's warranty.

### CONDITIONS

The following conditions apply only in relation to the warranty expressly given in this certificate.

- 1) This warranty applies only:
  - a) within U.S.A. and Canada.
  - b) to range hoods used for PRIVATE SINGLE FAMILY USE (if used for COMMERCIAL or MULTIPLE FAMILY USE or other purposes, warranty will be voided).
- 2) Repair of any fault to be provided under this warranty shall not be provided:
  - a) if the identification number attached to the range hood has been altered, rendered illegible or removed;
  - b) if notice of the defect has not been given within the period applicable;
  - c) for failure of light bulbs or heat lamps;
  - d) for physical damage;
  - e) for surfaces damaged by use of improper chemical cleaning agents;
  - f) if the appliance has been:
    - i) subject to misuse, abuse, negligence, accident, incorrect installation or failure to follow the operating instructions;
    - ii) connected to improper, inadequate or faulty electricity service or exhaust ducts, flues or duct cover, or operated using incorrect or contaminated lubricants;
    - iii) installed, maintained or operated otherwise than in accordance with the instructions furnished by KOBE Range Hoods including the improper use of detergents, bleaches, or cleaners.
  - g) for damage to range hood during transit, delivery, installation or removal;
  - h) for damage by or resulting from attempted repairs conducted by anyone other than our Authorized Service Agent.
  - i) noise or vibration caused by improper installation of range hood and/or damper.

- 3) The purchaser shall be responsible for any expenses involved in making the range hood readily accessible for servicing and where the range hood is installed outside the main sales territory of the retailer or service territory of the nearest approved KOBE Range Hoods Agent as applicable, for any traveling expenses and any costs of transporting the range hood or parts thereof to and from the dealer or Service Agent
- 4) The purchaser must produce proof of purchase together with this warranty certificate when making the claim.
- 5) Damages caused during shipment are not covered under our warranty.

### **CONSEQUENTIAL DAMAGE**

The warrantor is not responsible for any consequential damage. SOME STATES DO NOT ALLOW THE EXCLUSION OF CONSEQUENTIAL DAMAGE SO THE ABOVE EXCLUSION MAY NOT APPLY TO YOU.

### **IMPLIED WARRANTIES/STATE LAW**

Any implied warranties, including the implied warranty of merchantability and fitness for purpose, imposed on the sale by the laws of the state of sale are limited to two year from the date of original purchase. Some states do not allow limitations on the duration of implied warranties. This warranty gives you specific legal rights, and may also have rights, which vary from state to state.

### **SERVICE**

For service contact:

KOBE Range Hoods  
10505 Valley Blvd, Suite 302  
El Monte, CA 91731, U.S.A.  
U.S.A  
Tel: (626) 350-1355 Fax: (626) 350-1976  
Email: [customer.service@KOBERangeHoods.com](mailto:customer.service@KOBERangeHoods.com)  
Website: [www.KOBERangeHoods.com](http://www.KOBERangeHoods.com)

**PRODUCT REGISTRATION**

**Register Your Product!**

Any covered failure occurring within two years of original purchase arising from defective workmanship or material in manufacture will be repaired or at our option the unit will be replaced free of charge by an authorized KOBE Range Hoods Agent or KOBE Range Hoods as applicable. Keep proof of purchase (original invoice) handy for inspection.

If the range hood is sold by the original purchaser during the warranty period the new owner is protected until expiration of the original purchaser's warranty. See warranty section for complete warranty coverage information.

This appliance has been manufactured, tested, and inspected to the standards required by KOBE Range Hoods.

**PLEASE MAIL IN YOUR WARRANTY REGISTRATION CARD AND PROOF OF PURCHASE TO:**

KOBE Range Hoods  
10505 Valley Blvd, Suite 302  
El Monte, CA 91731, U.S.A.

**RECORD THE FOLLOWING INFORMATION FOR YOUR RECORD:**

Model No. \_\_\_\_\_

Serial No. \_\_\_\_\_

Purchased Date                    \_\_\_\_ / \_\_\_\_ / \_\_\_\_

Purchased From:  
\_\_\_\_\_  
\_\_\_\_\_  
\_\_\_\_\_

**IMPORTANT: PLEASE KEEP A COPY OF YOUR SALE RECEIPT OR INVOICE HANDY WHEN REQUESTING SERVICE.**



KOBE Range Hoods  
10505 Valley Blvd Suite # 302  
El Monte, CA 91731 USA

<http://www.KOBERangeHoods.com>

This KOBE hood is made for use in the USA and CANADA only. We do not recommend using this hood overseas as the power supply may not be compatible and may violate the electrical code of that country. **Using a KOBE hood overseas is at your own risk and will void your warranty.**

VER.080115

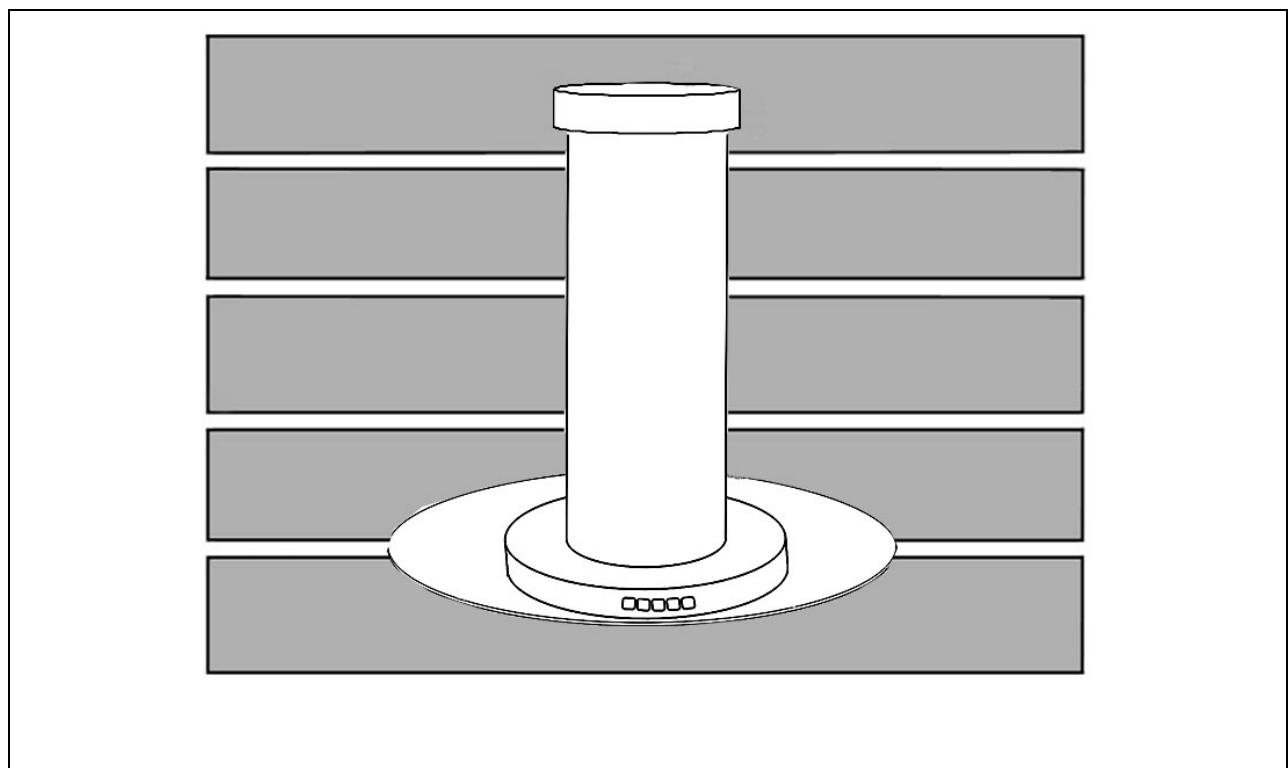




**KOBE**® Hotte de cuisine de marque  
**KOBE**

Modèles No. IS2036GS  
IS2042GS

SÉRIES IS-20  
«ISLAND GLASS CANOPY»



INSTRUCTIONS D'INSTALLATION  
ET MANUEL D'OPÉRATION

**- LIRE ET CONSERVER CES INSTRUCTIONS -**

**CONTENU**

DIRECTIVES DE SÉCURITÉ IMPORTANTES.....	25
COMPOSANTS DE L'EMBALLAGE .....	27
INSTALLATION.....	28
MODE D'EMPLOI.....	32
ENTRETIEN.....	33
SPÉCIFICATIONS.....	35
DIMENSIONS ET SCHÉMAS .....	36
LISTE DE PIÈCES .....	37
SCHÉMA DE CIRCUITS .....	39
TROUBLE SHOOTING .....	40
AVIS DE NON-RESPONSABILITÉ .....	42
GARANTIE .....	43
ENREGISTREMENT DU PRODUIT.....	45

**- LIRE ATTENTIVEMENT TOUTE LES INSTRUCTIONS AVANT DE DÉBUTER -**

**TOUT LE CÂBLAGE DOIT ÊTRE EFFECTUÉ PAR UN PROFESSIONNEL ET SELON LES CODES NATIONAUX ET LOCAUX DE L'ÉLECTRICITÉ.**



## DIRECTIVES DE SÉCURITÉ IMPORTANTES

- VEUILLEZ LIRE ATTENTIVEMENT CETTE SECTION AVANT L'INSTALLATION -



### **AVERTISSEMENT – AFIN DE RÉDUIRE LE RISQUE D'INCENDIE, DE DÉCHARGE ÉLECTRIQUE OU DE BLESSURE CORPORELLE, RESPECTER CE QUI SUIT :**

- 4) L'installation et le câblage électrique doivent être effectués par des professionnels qualifiés et selon les codes et les normes applicables, y compris une construction classée résistante au feu.
- 5) Avant de couper ou de percer un mur, s'assurer de ne pas endommager le câblage électrique ou autres services publics dissimulés.
- 6) Les ventilateurs à enveloppe doivent être aérés vers l'extérieur.
  - a) Avant tout entretien ou réparation de l'appareil, ouvrir la lumière du panneau et **COUPER LE COURANT À PARTIR DU PANNEAU DE SERVICE.**
  - b) Nettoyer fréquemment le ventilateur, les déflecteurs/filtres/contenants d'huile et les surfaces recouvertes de graisse. Afin de réduire le risque d'incendie et afin d'évacuer l'air correctement, s'assurer que l'aération se fait vers l'extérieur. **NE PAS évacuer l'air dans des surfaces murales, des greniers, des vides sanitaires ou des garages.**

**REMA** - Cette garantie n'est pas valide sans le reçu d'un agent autorisé ou si l'unité a été endommagée suite à une mauvaise utilisation, une installation non conforme, un usage abusif, un mauvais traitement, une négligence ou toutes autres circonstances en dehors du contrôle des agents autorisés de **KOBE RANGE HOODS**. Toute réparation effectuée sans la supervision d'agents autorisés de **KOBE RANGE HOODS** annulera automatiquement la garantie.

- **KOBE RANGE HOODS** ne sera pas tenu responsable de tous dommages à la propriété personnelle ou aux biens immeubles ou de toutes blessures corporelles causées directement ou indirectement par la hotte de cuisine.



### **AVERTISSEMENT – AFIN DE RÉDUIRE LE RISQUE DE BLESSURE CORPORELLE EN CAS D'INCENDIE DE GRAISSE SUR LA CUISINIÈRE :**

- Nettoyer fréquemment le ventilateur, les déflecteurs/filtres/contenants d'huile, s'il y en a, et les surfaces recouvertes de graisse.
- Toujours mettre en marche le ventilateur lors de cuisson à chaleur élevée.
- Utiliser les réglages élevés de la cuisinière **UNIQUEMENT** lorsque nécessaire.
- Ne pas laisser la cuisinière sans surveillance lors de la cuisson.
- Toujours utiliser des batteries de cuisine et des ustensiles appropriés au type et à la quantité de nourriture préparés.
- Utiliser cette unité uniquement de la manière prévue par le fabricant.
- Avant l'entretien, couper le courant à partir du panneau de service et verrouiller le panneau de service (si possible) afin d'éviter que le courant ne soit activé accidentellement.
- Nettoyer fréquemment les éventails de ventilation. La graisse ne doit pas s'accumuler sur le ventilateur, les déflecteurs/filtres/contenants d'huile.

### Que faire en cas d'incendie de graisse sur la cuisinière

- **ÉTOUFFEZ LES FLAMMES** avec un couvercle de bonne grandeur, une tôle à biscuits, ou un plateau en métal, puis fermez le brûleur. **GARDEZ LES MATÉRIAUX INFLAMMABLES OU COMBUSTIBLES LOIN DES FLAMMES.** Si les flammes ne s'éteignent pas immédiatement, **ÉVACUEZ L'ENDROIT ET APPELEZ LE SERVICE D'INCENDIE** ou le 911.
- **NE TOUCHEZ JAMAIS À UNE CASSEROLE EN FEU** – Vous pourriez vous brûler.
- **N'UTILISEZ PAS D'EAU**, y compris les linges à vaisselles ou les serviettes humides – ceci donnerait lieu à un violent jet de vapeur.
- Utilisez **UNIQUEMENT** un extincteur si :
  - a) Vous avez un extincteur de classe A, B, ou C et que vous savez l'utiliser.
  - b) L'incendie est moindre et confiné à l'endroit où il a débuté.
  - c) Le service d'incendie a été appelé.
  - d) Vous pouvez combattre l'incendie dos à une sortie.

### Que faire si vous sentez du gaz

- Éteignez toute flamme nue.
- N'essayez pas d'ouvrir les lumières ou tout type d'appareil.
- Ouvrir toutes les portes et les fenêtres pour évacuer le gaz. Si vous sentez encore du gaz, appelez votre distributeur de gaz et le service d'incendie immédiatement.



### **MISE EN GARDE**

- 6) Pour ventilation générale uniquement. Ne pas utiliser pour évacuer des matériaux et des vapeurs dangereuses ou explosives.
- 7) Afin de réduire le risque d'incendie, uniquement des systèmes de conduits en métal doivent être utilisés. Suffisamment d'air est requis pour une combustion appropriée et pour l'évacuation des gaz par le conduit (cheminée) afin de prévenir un refoulement d'air.
- 8) Respecter les directives et les normes de sécurité du fabricant d'équipement de chauffage comme celles publiées par la National Fire Protection Association (NFPA), et l' American Society for Heating, Refrigeration and Air Conditioning Engineers (ASHRAE), ainsi que les prescriptions des autorités réglementaires locales.
- 9) Mettre en marche tout interrupteur peut causer une ignition ou une explosion.
- 10) En raison de la dimension et du poids de cette hotte, il est recommandé de faire l'installation à deux personnes.



### **WARNING**

#### **AVERTISSEMENT**

**RISQUE DE DÉCHARGE ÉLECTRIQUE – Peut causer des blessures sérieuses ou la mort. Débrancher l'appareil du courant électrique avant tout entretien. Si présente, l'ampoule de la lampe fluorescente contient de petites quantités de mercure et doit donc être recyclée ou disposée selon les codes locaux, provinciaux et fédéraux.**



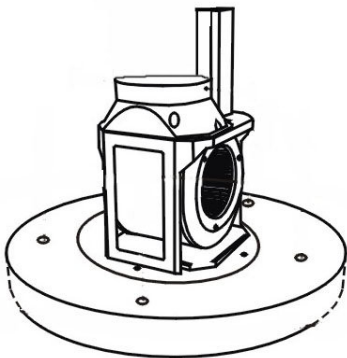
## COMPOSANTS DE L'EMBALLAGE

**(Garder tous les matériaux pour retours ou remboursements)**

### Boîte 1 de 3

- {A} Hotte de cuisine KOBE
- {B} Carte d'enregistrement de garantie
- {C} Manuel d'instruction
- {D} Filtre en acier inoxydable – 1
- {E} Colletette en acier inoxydable – 1

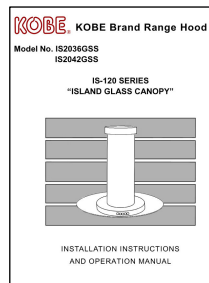
{A}



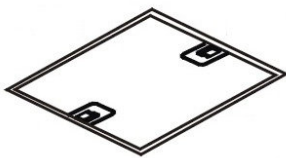
{B}

<b>WARRANTY REGISTRATION CARD</b> PLEASE PRINT IN INK FIRST NAME: _____ LAST NAME: _____ STREET: _____ APT. NO.: _____ CITY: _____ STATE: _____ ZIP CODE: _____ DAY OF BIRTH: _____ PHONE: _____ TEL. NO.: _____ FAX NO.: _____ MODEL NO.: _____ SERIAL NO.: _____ DATE OF PURCHASE: _____			
PLEASE PRINT IN INK MODEL NO.: _____ SERIAL NO.: _____ LOCAL TEST: _____ PERFORMANCE TESTED: _____ FINAL INSPECTION: _____ IF YOU HAVE ANY QUESTIONS, PLEASE CONTACT OUR CUSTOMER SERVICE AT (602) 955-1919 OR EMAIL: <a href="mailto:customer@kobehoods.com">customer@kobehoods.com</a> <a href="http://www.kobehoods.com">www.kobehoods.com</a>			

{C}



{D}

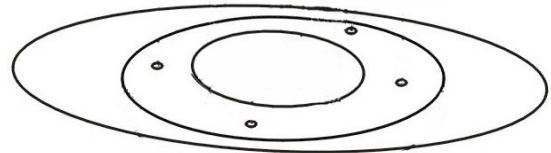


{E}



### Boîte 2 de 3

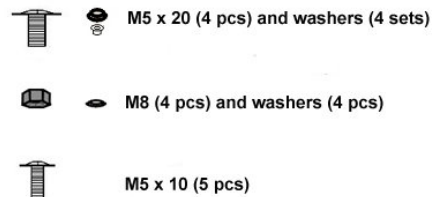
- {F} Garniture en verre – 1



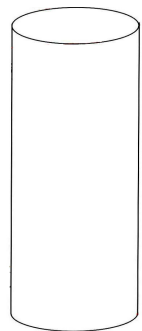
### Boîte 3 de 3

- {G} Emballage de vis – 1
- {H} Enveloppe de conduit un morceau – 1
- {I} Support de fixation – 1
- {J} Gabarit d'assemblage

{G}

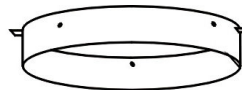


{H}

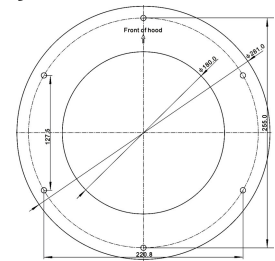


- M5 x 20 (4 mcx) et rondelles (4 ens)
- M8 (4 mcx) et rondelles (4 mcx)
- M5 x 10 (5 mcx)

{I}



{J}



◆ TROUSSE DE RECIRCULATION OPTIONNELLE DISPONIBLE. POUR PLUS D'INFORMATIONS, VEUILLEZ VISITER NOTRE SITE INTERNET [WWW.KOBERangeHoods.COM](http://WWW.KOBERangeHoods.COM) OU COMMUNIQUER AVEC KOBE RANGE HOODS AU (626) 350-1355.

## INSTALLATION

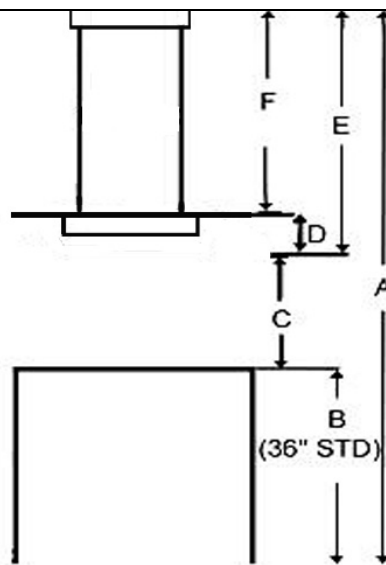
VEUILLEZ LIRE LES INSTRUCTIONS AU COMPLET AVANT DE DÉBUTER

### Calculs avant l'installation

Pour faire les calculs avant l'installation, veuillez vous référer au TABLEAU 1. (Tous les calculs sont en pouces.)

#### TABLEAU 1

- A = Hauteur du plancher au plafond
- B = Hauteur du plancher au dessus du comptoir  
(Standard : 36")
- C = **Hauteur préférée du dessus du comptoir au bas de la hotte (Recommandé 30" à 36")**
- D = Hauteur de la hotte
- E = Hauteur de l'installation de la hotte  
[A - (B+C)]
- F = Hauteur de l'enveloppe du conduit  
[E - D]



### **⚠ AVERTISSEMENT DE SÉCURITÉ**

LA HOTTE PEUT AVOIR DES COINS TRÈS COUPANTS ; VEUILLEZ PORTER DES GANTS PROTECTEURS SI NÉCESSAIRE POUR ENLEVER TOUTES PIÈCES POUR L'INSTALLATION, LE NETTOYAGE OU L'ENTRETIEN.

REMARQUE : SOYEZ PRUDENTS LORSQUE VOUS UTILISEZ UN TOURNEVIS ÉLECTRIQUE AFIN D'ÉVITER TOUT DOMMAGE À LA HOTTE.

## Préparation avant l'installation

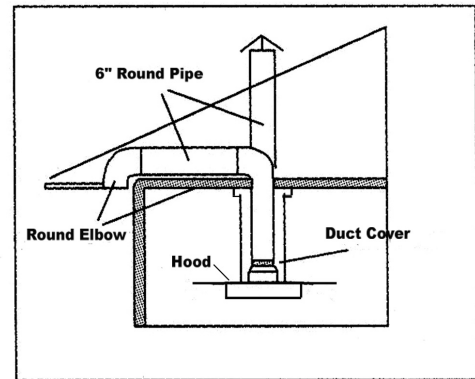
REMARQUE : AFIN D'ÉVITER TOUS DOMMAGES À VOTRE HOTTE, EMPÊCHEZ LES DÉBRIS D'ENTRER DANS L'ORIFICE DE VENTILATION

- Choisissez l'endroit de la canalisation de ventilation à partir de la hotte jusqu'à l'extérieur. (Figure 1)
- Une longueur courte et droite permettra à la hotte de fonctionner de façon plus efficace.
- Essayez d'éviter le plus possible les raccordements, les coudes et les grandes longueurs. Ceci pourrait réduire la performance de la hotte.
- Faites un câblage temporaire avant d'installer, afin de vérifier l'efficacité du fonctionnement.
- **Important : Si nécessaire, enlevez le film protecteur de la hotte et des enveloppes de conduits.**
- Utilisez du ruban à conduits pour sceller les joints entre les sections des canalisations.

## Planification préliminaire

1. Marquez les lignes médianes de la table de cuisson ou de la cuisinière sur le plafond. Utilisez les marques des lignes médianes sur le plafond pour positionner le gabarit d'assemblage tel qu'illustré aux Figures 2 et 3.
2. Enlevez et conservez le gabarit. Coupez et enlevez la cloison sèche du plafond. Installez des bois de charpente de 2" x 4" en croix (non fournis) entre les solives de plafond.
3. La charpente doit être espacée de 10" à l'avant de la ligne médiane et de 8-5/8" sur les côtés pour accommoder la vis de montage dans le support de fixation. Consultez DIMENSIONS ET SCHÉMAS à la page 35.
4. Finissez la surface du plafond. Assurez-vous de marquer l'emplacement des solives de plafond et des bois de charpentes en croix.

Figure 1



(Figure 1: from top, clockwise) (Figure 2: from right, clockwise)  
 Canalisation ronde 6"  
 Enveloppe de conduit  
 Hotte  
 Coude rond  
 Solives de plafond  
 Support de fixation  
 Bois de charpente en croix  
 Avant de la hotte

Figure 2

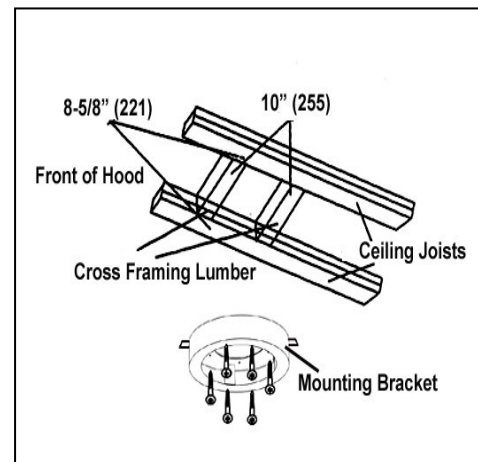
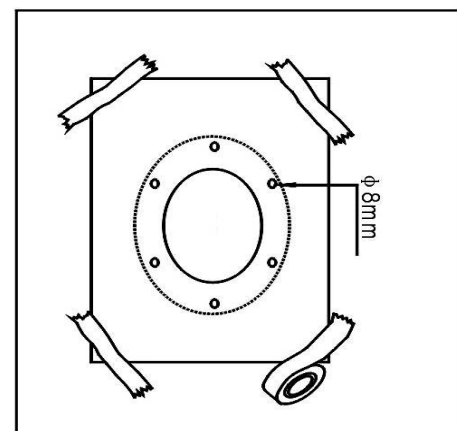


Figure 3



5. Alignez le gabarit d'assemblage avec les marques au plafond et fixez en place avec du ruban adhésif. Coupez une ouverture de 6-1/4" pour le conduit et un trou d'environ 1" pour faire passer le câblage. Percez des trous pour les 6 vis de montage tel qu'indiqué sur le gabarit.
6. Alignez le support de fixation aux trous déjà percés au plafond et attachez solidement aux solives et aux bois de charpente en croix avec 6 vis (non fournies). Pour un support maximal, assurez-vous que les vis sont bien entrées au milieu des solives et des bois de charpente en croix.

### Câblage jusqu'à l'alimentation en électricité



## AVERTISSEMENT DE SÉCURITÉ

**RISQUE DE DÉCHARGE ÉLECTRIQUE. CETTE HOTTE DE CUISINE DOIT ÊTRE MISE À LA TERRE CORRECTEMENT. ASSUREZ-VOUS QUE CECI SOIT EFFECTUÉ PAR UN ÉLECTRICIEN QUALIFIÉ SELON LES CODES NATIONAUX, LOCAUX DE L'ÉLECTRICITÉ. AVANT DE CONNECTER DES FILS, COUPEZ LE COURANT À PARTIR DU PANNEAU DE SERVICE ET VERROUILLEZ LE PANNEAU DE SERVICE AFIN D'ÉVITER QUE LE COURANT NE SOIT ACTIVÉ ACCIDENTELLEMENT.**

7. Faites passer le câblage électrique dans le plafond aussi près que possible de l'installation. Prévoyez une longueur supplémentaire pour descendre du plafond jusqu'à la boîte électrique.
8. Connectez les fils électriques selon les couleurs (noir avec noir, blanc avec blanc, et vert avec vert) et fermez avec des capuchons de connexion. Le fil vert doit être mis à la terre afin de réduire le risque de décharge électrique.

### Installation du système de conduits

9. Utilisez une canalisation ronde de 6" en aluminium ou en métal (non fournie) pour connecter le clapet rond de 6" sur la hotte au système de conduits ci-dessus.

Figure 4

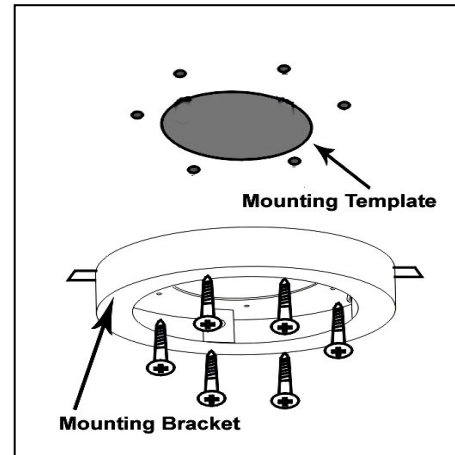


Figure 4:  
Gabarit d'assemblage (mounting template)  
Support de fixation (mounting bracket)

Figure 5

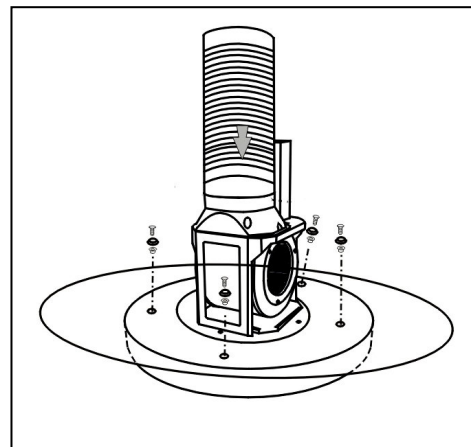
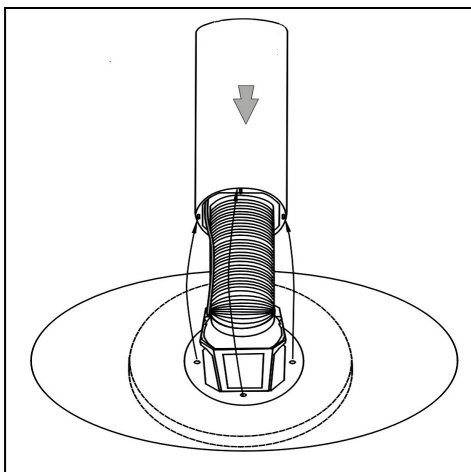


Figure 6





REMARQUE : Placez le conduit de canalisation rond de 6" sur le clapet. Scellez avec du ruban à conduits afin de que les joints soient isolés de façon sécuritaire.

REMARQUE : ASSUREZ-VOUS QUE LES ABATTANTS SUR LE CLAPET PUISSENT OUVRIR ET FERMER LIBREMENT. (Figure 6)

### Installation de l'enveloppe de conduit

10. Glissez la garniture en verre dans le système de ventilation. Fixez sécuritairement le verre sur le dessus de la hotte de cuisine avec 4 vis (M5 x 20) et 4 rondelles (fournies). (Figure 5)
11. Glissez l'enveloppe de conduit dans l'unité de ventilation, fixez sécuritairement sous l'unité de ventilation avec 4 écrous (M8) et 4 rondelles (fournis). Consultez les Figures 6 et 7.
12. Glissez soigneusement la collerette en acier inoxydable à travers l'enveloppe de conduit jusqu'au dessus du verre. Consultez la Figure 8.
13. En vous faisant aider, alignez l'enveloppe de conduit avec le support de fixation et fixez avec 5 vis (M5 x 10) (fournies). Consultez la Figure 9. **Important : Assurez-vous que l'orientation de la hotte soit correcte avant de la fixer.**
14. Glissez la collerette d'acier inoxydable vers le dessus de l'enveloppe de conduit. Consultez la Figure 10.
15. Verrouillez la collerette d'acier inoxydable vers la gauche ou la droite pour la fixer sécuritairement.
16. Enlevez le film protecteur de la collerette d'acier inoxydable.
17. Mettez le filtre d'acier inoxydable en place.

### Assemblage final

18. Mettez sous tension et vérifiez toutes les lumières et le fonctionnement du ventilateur.
19. Assurez-vous de laisser ce manuel au propriétaire.

Figure 7

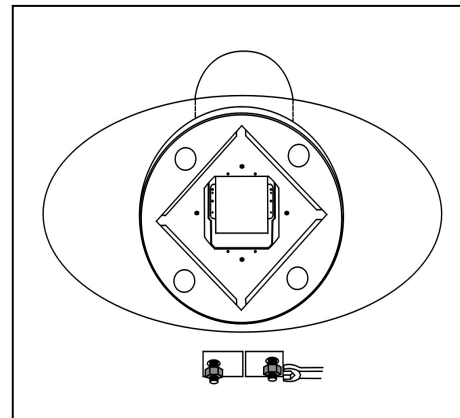


Figure 8

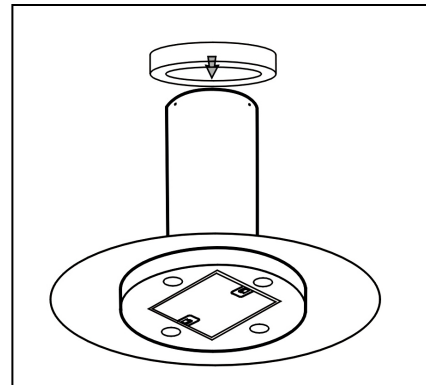


Figure 9

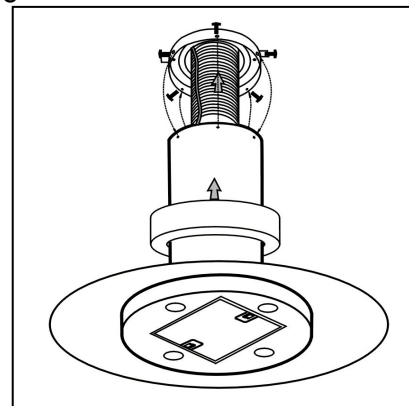
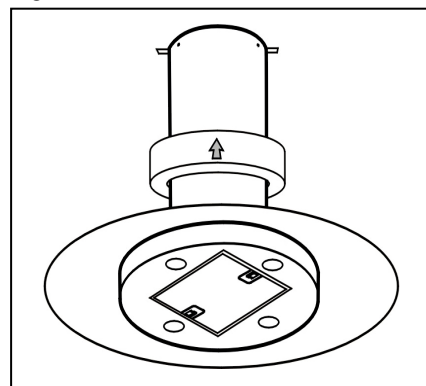


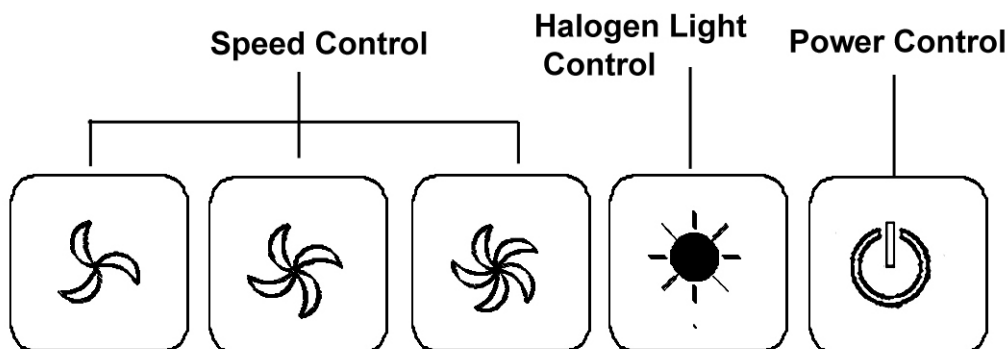
Figure 10



## MODE D'EMPLOI

Cette hotte KOBE est munie de cinq touches, de doubles cages écureuil horizontales avec filtre en acier inoxydable, et de 4 lampes halogènes claires 12V/20W.

Les cinq touches sont Commande d'alimentation (Marche/Arrêt), Commande de vitesse (Élevée, Moyenne, et Basse) et Commande des lumières.



**Speed control = Commande de vitesse**

**Halogen light control = Commande de lampe halogène**

**Power control = Commande d'alimentation**

Remarque : Pour de meilleurs résultats, mettez la hotte à vitesse basse avant toute préparation ou cuisson. Ajustez la vitesse selon les besoins.

### Commande d'alimentation

Appuyez sur la Commande d'alimentation pour mettre en marche ou arrêter la hotte.

Cet appareil est équipé d'un arrêt avec délai d'une minute. Pour activer cette caractéristique, appuyez sur la touche Commande d'alimentation une fois, les lumières du panneau clignoteront et l'alimentation sera complètement coupée après 1 minute.

Appuyez sur la Commande d'alimentation deux fois et le ventilateur s'arrêtera immédiatement.

### Commande de vitesse

Appuyez sur Commande de vitesse pour activer la vitesse Basse, Moyenne ou Élevée.

### Commande des lumières

(La Commande des lumières est séparée de la Commande Marche/Arrêt. Mettre en mode Arrêt n'éteindra pas les lumières.)

Appuyez sur la Commande des lumières pour ALLUMER ou ÉTEINDRE les lumières.

### **⚠️ AVERTISSEMENT DE SÉCURITÉ**

**NE JAMAIS METTRE LA MAIN DANS L'EMPLACEMENT QUI CONTIENT LE VENTILATEUR LORSQUE LE VENTILATEUR EST EN MARCHÉ.**

#### **Nettoyage de la surface de la hotte**

### **⚠️ MISE EN GARDE : NE JAMAIS UTILISER DE NETTOYANTS, DE TAMPONS OU DE LINGES ABRASIFS.**

Pour une opération optimale, nettoyez régulièrement la hotte de cuisine et tous les déflecteurs/espacements/filtres/tunnels d'huile/contenants d'huile.

\*\*\*Un entretien régulier aidera à préserver l'apparence de la hotte.

6. Utilisez uniquement un savon ou un détergent doux. Asséchez les surfaces avec un linge doux. **N'UTILISEZ PAS DE PAPIER ESSUIE-TOUT.**
7. Si la hotte semble tachée, (hotte en acier inoxydable), utilisez un nettoyeur d'acier inoxydable pour nettoyer les surfaces de la hotte. Évitez de mettre la solution de nettoyage sur ou dans le panneau de commande. Suivez les instructions du nettoyeur d'acier inoxydable. **Mise en garde : Ne laissez pas la solution de nettoyage agir trop longtemps puisque ceci pourrait endommager le fini de la hotte.** Utilisez un linge doux pour essuyer la solution de nettoyage, frottez délicatement toutes taches rebelles. Utilisez un linge doux et sec pour essuyer la hotte.
8. **NE LAISSEZ PAS** de dépôts s'accumuler ou rester sur la hotte.
9. **NE PAS UTILISER** de la laine d'acier ordinaire ou des brosses de métal. De petits morceaux d'acier peuvent adhérer à la surface et causer de la rouille.
10. **NE LAISSEZ PAS** de solutions salines, de désinfectants, de javellisant, ou de produits de nettoyages en contact avec l'acier inoxydable pour des périodes prolongées. Plusieurs de ces produits contiennent des produits chimiques qui peuvent être nocifs. Rincez avec de l'eau et asséchez avec un linge propre.

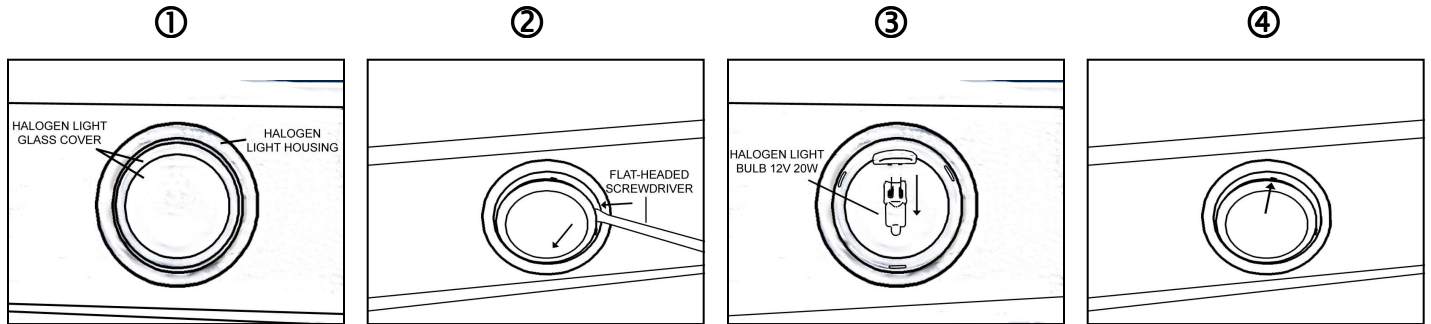
#### **Pour nettoyer le filtre en acier inoxydable**

1. Enlevez le filtre en acier inoxydable.
2. Lavez à l'eau tiède savonneuse. Essuyez complètement avant de remettre en place.

## Pour remplacer les ampoules de lampe halogène

**MISE EN GARDE : LA LAMPE HALOGÈNE PEUT ÊTRE TRÈS CHAUDE ! ATTENDEZ QU'ELLE REFROIDISSE.**

**REMARQUE : NE TOUCHEZ PAS À LA LAMPE HALOGÈNE AVEC LES MAINS NUES, CECI POURRAIT CAUSER UNE SURCHAUFFE ET RACCOURCIR LA DURÉE DE VIE DES AMPOULES.**



**Halogen light glass cover = Enveloppe de verre de la lampe halogène**

**Halogen light housing = Boîtier de la lampe halogène**

**Flat-headed screwdriver = Tournevis à tête plate**

**Halogen light bulb 12V 20W = Ampoule de la lampe halogène 12V 20W**

8. Assurez-vous que les commandes soient arrêtées et que la hotte de cuisine soit débranchée.
9. Placez un tournevis à tête plate dans le creux de l'enveloppe de verre de la lampe halogène et du boîtier.
10. Enlevez l'enveloppe de verre de la lampe halogène.
11. Tirez délicatement l'ampoule de la lampe halogène et jetez. Les ampoules de lampe doivent être de 12V 20W maximum.
12. À l'aide d'un linge, tenez la nouvelle ampoule de lampe halogène et insérez sécuritairement dans la douille.
13. Remplacez l'enveloppe de verre de la lampe halogène dans le boîtier.
14. Mettez en marche la hotte pour vérifier son bon fonctionnement.

## SPÉCIFICATIONS

<b>BOÎTE 1 DE 3 MODÈLE / DIMENSION</b>	IS20S – Unité de ventilation
<b>BOÎTE 2 DE 3 MODÈLE / DIMENSION</b>	IS2036GS / 36" – Garniture en verre IS2036GS / 42" – Garniture en verre
<b>BOÎTE 3 DE 3 MODÈLE / DIMENSION</b>	IS20DC-28 – 27-1/4" Ht. Enveloppe de conduit IS20DC-40 – 39-1/4" Ht. Enveloppe de conduit
<b>COULEUR</b>	Acier inoxydable de qualité commerciale
<b>CONSOMMATION / AMPÈRE</b>	270W / 3.0A
<b>TENSION</b>	120V 60Hz
<b>TYPE DE MOTEUR</b>	Cage écureuil horizontale
<b>DESIGN</b>	Fini satiné / sans couture 20 gauge
<b>ÉVACUATION</b>	Clapet supérieur rond 6"
<b>COMMANDES</b>	5 touches (Arrêt avec délai d'une minute)
<b>LAMPES HALOGÈNES</b>	12V 20W x 4
<b>DIMENSION DE LA HOTTE (L x P x H)</b>	18-7/8" x 18-7/8" x 2-1/2"
<b>DIMENSION DE LA HOTTE (Incluant le verre et l'enveloppe de conduit) (L x P x H)</b>	35-3/4" x 27" x (30" or 42")* 41-3/4" x 27" x (30" or 42")*
<b>ACCESSOIRES EN OPTION (VENDUS SÉPARÉMENT)</b>	<b>Trousse de recirculation – Article No. RD-0020</b>

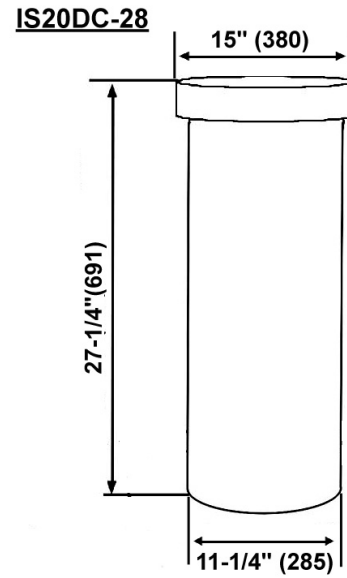
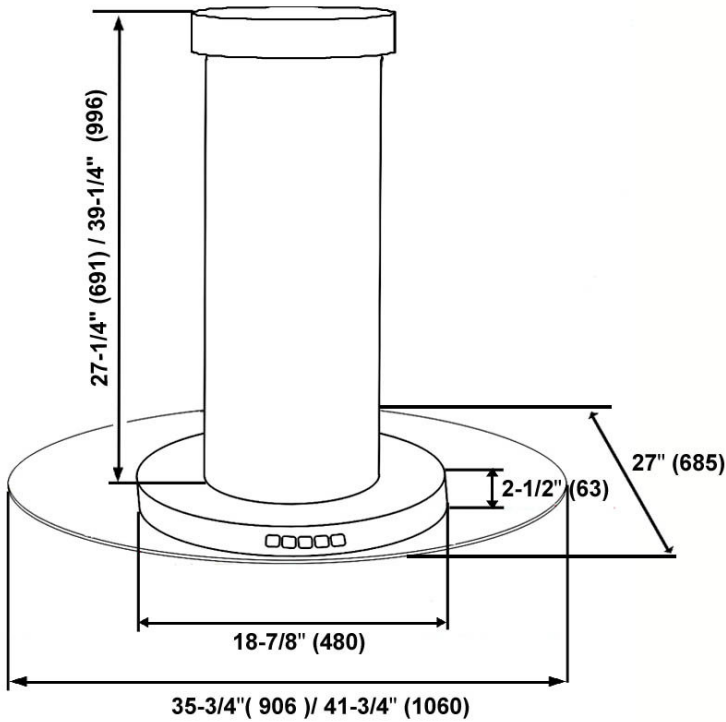
<b>POIDS (lb)</b>		<u>Net</u>	<u>Brut</u>
	<b>(IS2036GS)</b>	18.7	30.8
	<b>(IS2042GS)</b>	22.0	34.8
	<b>(IS20DC-28)</b>	9.9	17.6
	<b>(IS20DC-40)</b>	13.2	19.8
	<b>(IS20S)</b>	13.2	28.6
<b>VITESSE</b>	<b>Basse</b>	<b>Moyenne</b>	<b>Élevée</b>
<b>Capacité d'air (cfm)**</b>	200	280	420
<b>Sone (dB)</b>	1.4 (45dB)	2.8 (55dB)	5.4 (64dB)

\*La dimension de la hauteur de la hotte dépend du choix de l'enveloppe de conduit requise. Spécifications sujettes à des changements sans préavis.

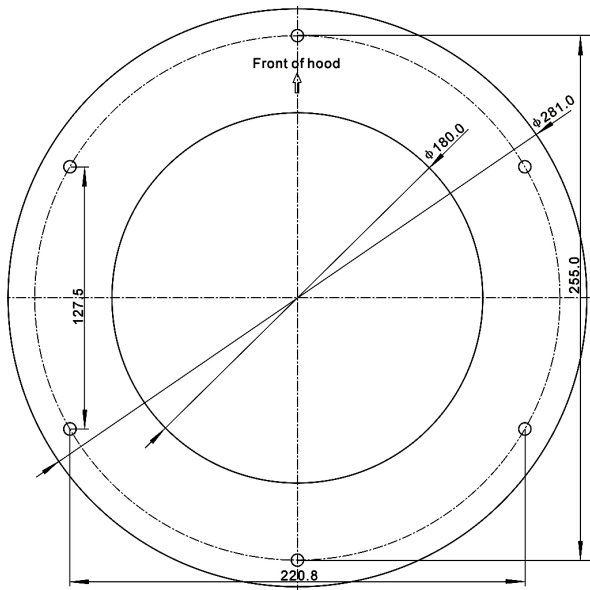
\*\*Test interne de pression statique "0".

## DIMENSIONS ET SCHÉMAS

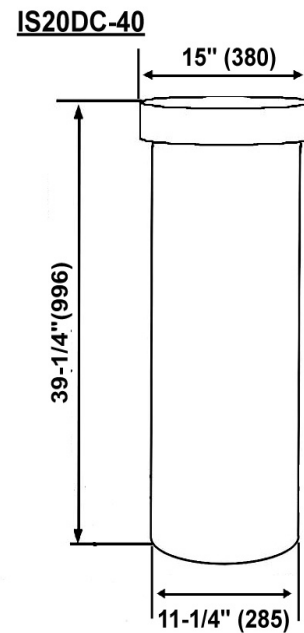
- ◆ Toutes ( ) les dimensions sont en millimètres.
- ◆ Toutes les dimensions en pouces sont converties à partir de millimètres. Les dimensions en pouces sont estimatives.



\*\*\*Gabarit d'assemblage



Front of hood = Avant de la hotte



## LISTE DE PIÈCES

**MODÈLES** IS2036GS  
**NO. :** IS2042GS

(Boîte 1 de 3)

<b>ARTICLE NO. IS20S (Unité de ventilation)</b>			
<b>NO.</b>	<b>DESCRIPTION</b>	<b>MODÈLE</b>	<b>NO. PIÈCE</b>
01	Boîte de connexions		ISL120-1
02	Transformateur de lumière		ISL120-2
03	Condensateur		ISL120-3
04	Carte processeur		ISL120-4
05	Panneau de soutien électronique		ISL120-5
06	Enveloppe de boîte de connexions		ISL120-6
07	Clapet rond 6"		ISL120-7
08	Soutien de réservoir d'air		ISL120-8
09	Collerette en acier inoxydable		ISL120-10
10	Moteur		ISL120-12
11	Enveloppe de moteur		ISL120-13
12	Réservoir d'air		ISL120-14
13	Cage écureuil		ISL120-15
14	Contre-écrou		ISL120-16
15	Enveloppe de ventilateur avec écran de sécurité		ISL120-17
16	Bâti rond		ISL120-19
17	Filtre en acier inoxydable		ISL120-20
18	Lampe halogène		ISL120-21
19	Bloc de commandes		ISL120-22
20	Enveloppe pour bloc de commandes		ISL120-23

(Boîte 2 de 3)

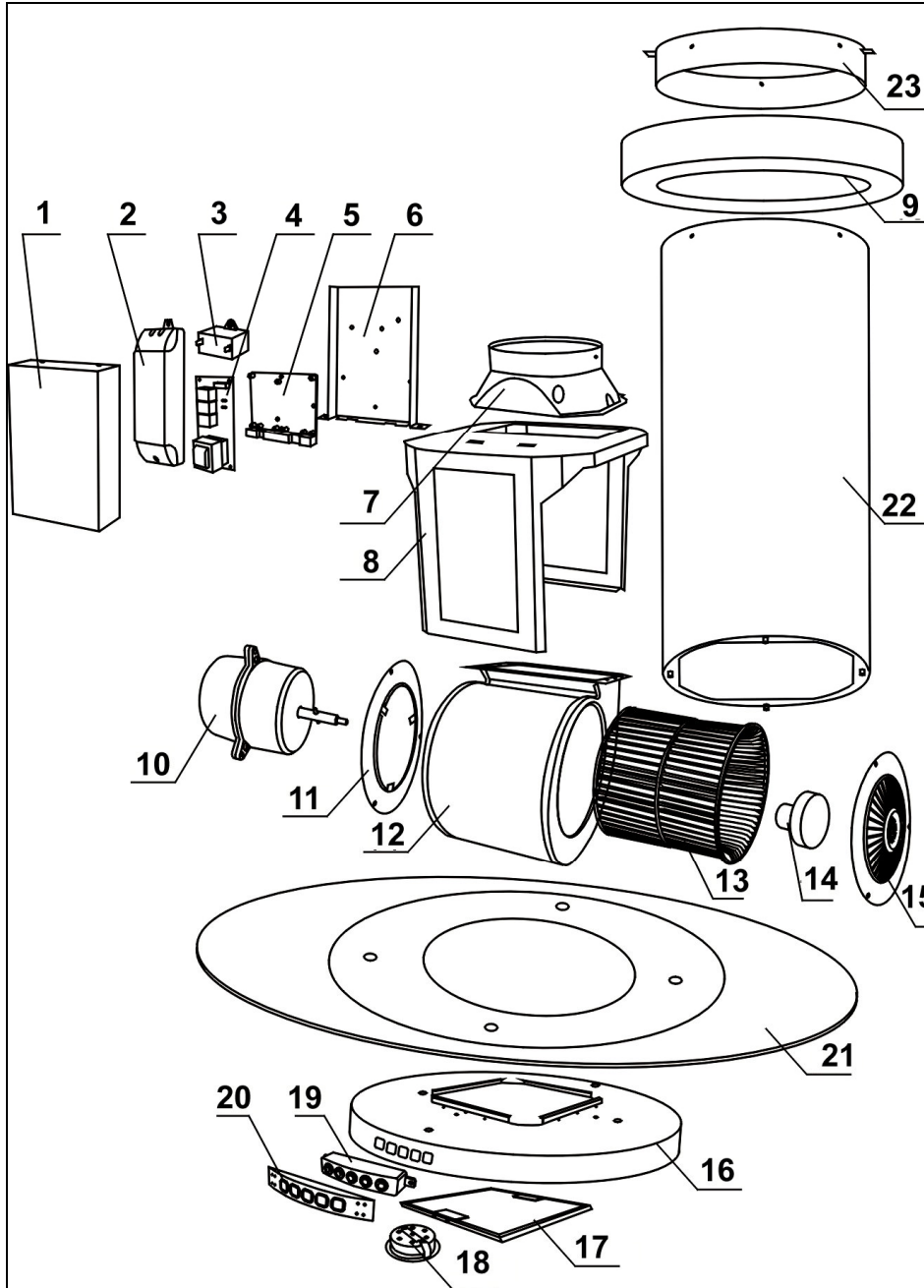
<b>MODÈLE NO. IS2036GS / IS2042GS (Verre)</b>			
<b>NO.</b>	<b>DESCRIPTION</b>	<b>MODÈLE</b>	<b>NO. PIÈCE</b>
21	Garniture en verre	IS2036GS	ISL120-18
		IS2042GS	ISL120-18-1

(Boîte 3 de 3)

<b>ARTICLE NO. IS20DC-28 / IS20DC-40 (Enveloppe de conduit)</b>			
<b>NO.</b>	<b>DESCRIPTION</b>	<b>MODÈLE</b>	<b>NO. PIÈCE</b>
22	Enveloppe de conduit	IS20DC-28	ISL120-11
		IS20DC-40	ISL120-11-1
23	Support de fixation		ISL120-9

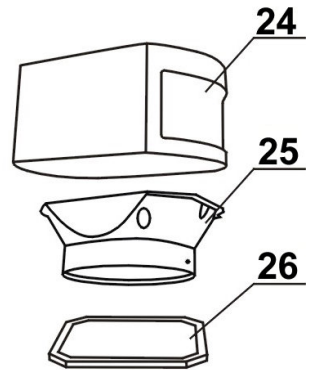
<b>TROUSSE DE RECIRCULATION – ARTICLE NO. RD-0020 (EN OPTION)</b>			
<b>NO.</b>	<b>DESCRIPTION</b>	<b>MODÈLE</b>	<b>NO. PIÈCE</b>
24	Boîte		ISL120-A
25	Adaptateur d'évacuation		ISL120-B
26	Filtre au charbon		ISL120-C

MODÈLES IS2036GS  
NO. : IS2042GS



**Trousse de recirculation**  
**Article No. RD-0020**

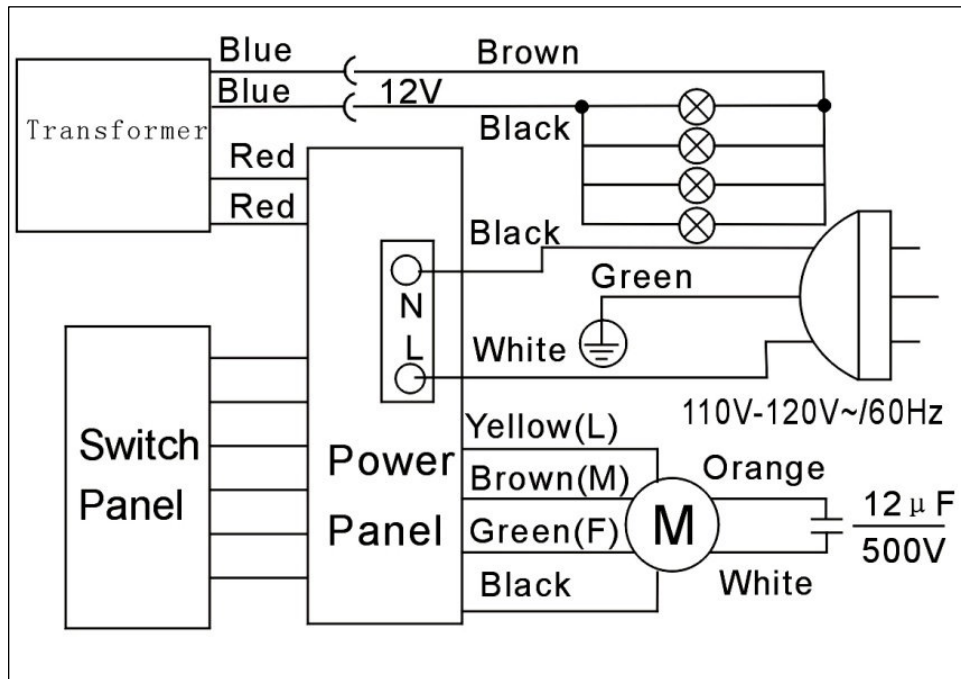
Vendus séparément





## SCHÉMA DE CIRCUITS

MODÈLES IS2036GS  
 NO. : IS2042GS



Transformer = Transformateur  
 Switch panel = Panneau d'interrupteurs  
 Power panel = Panneau d'alimentation  
 Blue – Bleu, Brown = Brun, Red = Rouge  
 Yellow = Jaune, Green = Vert, Black = Noir  
 White = Blanc, Orange = Orange

## Trouble Shooting

<b>Problème</b>	<b>Cause probable</b>	<b>Solution</b>
Après l'installation, les deux moteurs et les lumières ne fonctionnent pas.	Pas d'alimentation électrique. Assurez-vous que le disjoncteur et que l'alimentation électrique soient en marche.	Utilisez un voltmètre pour vérifier l'alimentation en électricité.
	Le câblage n'est pas bien installé.	Vérifiez et serrez les connexions de fils.
	Le câblage du panneau de commande et de la carte processeur est débranché.	Vérifiez le câblage au complet à partir du panneau de commande jusqu'à la carte processeur.
	Le transformateur du moteur est défectueux	Vérifiez l'entrée de courant et la sortie de courant du transformateur du moteur. Si nécessaire, remplacez le transformateur du moteur.
Le panneau de commande ou la carte processeur est défectueux.		Remplacez le panneau de commande ou la carte processeur.
	Le(s) moteur(s) est (sont) défectueux.	Remplacez le(s) moteur(s).
	Le(s) condensateur(s) est (sont) défectueux.	Remplacez le(s) condensateur(s).
Les lumières fonctionnent, mais pas le(s) moteur(s).	Le panneau de commande ou la carte processeur est défectueux.	Remplacez le panneau de commande ou la carte processeur.
	Le système de ventilation n'est pas bien installé.	Serrez la pale turbine/cage d'écureuil et le réservoir d'air.
	La pale turbine/cage écureuil n'est pas bien balancée.	Remplacez la pale turbine/cage d'écureuil.
La hotte de cuisine vibre.	La hotte n'est pas assez bien serrée.	Vérifiez l'installation de la hotte, serrez le support de fixation.
	L'ampoule de la lampe halogène est défectueuse.	Essayez l'ampoule de lampe défectueuse sur une douille qui fonctionne. Si l'ampoule ne fonctionne toujours pas, remplacez-la.
	Le câblage de la lampe n'est pas assez serré.	Vérifiez le câblage au complet à partir de la carte processeur jusqu'au transformateur puis jusqu'au boîtier.
Le moteur fonctionne, mais pas les lumières.	Le transformateur de la lumière est défectueux.	Vérifiez l'entrée de courant et la sortie de courant du transformateur de lampe. Si nécessaire, remplacez le transformateur de lampe.
	Le panneau de commande ou la carte processeur est défectueux.	Remplacez le panneau de commande ou la carte processeur.
	La hotte de cuisine est installée hors des limites recommandées par le fabricant.	Ajustez le dégagement entre la hotte de cuisine et la table de cuisson pour qu'il soit de 27" à 30". Pour une hotte de cuisinière sur îlot, le dégagement entre la hotte de cuisine et la table de cuisson est de 30" à 36".
La hotte de cuisine ne ventile pas correctement.	Il n'y a pas d'air d'appoint à l'intérieur de la maison.	Ouvrez la fenêtre pour améliorer la performance de la hotte en créant suffisamment d'air d'appoint.
	Un obstacle bloque la canalisation.	Enlevez tous les obstacles de la canalisation.

	La canalisation est plus petite que la canalisation suggérée.	Changez la canalisation en accord avec les suggestions du fabricant.
De l'air froid entre dans la maison.	La connexion du conduit n'est pas scellée correctement.	Vérifiez l'installation du conduit.
	Le clapet n'est pas bien installé ou manque à l'installation.	Vérifiez l'installation du clapet.
	Le clapet n'est pas installé.	En installant le clapet, vous aiderez à éliminer le retour d'air.

## AVIS DE NON-RESPONSABILITÉ

1. **VÉRIFIEZ SOIGNEUSEMENT TOUS LES ARTICLES POUR DES DOMMAGES AVANT D'ACCEPTER LA LIVRAISON. NOTEZ TOUS LES DOMMAGES SUR LA FACTURE DE FRET OU SUR LE REÇU EXPRESS. DEMANDEZ LE NOM ET LA SIGNATURE DE L'AGENT DU TRANSPORTEUR ET GARDEZ UNE COPIE POUR SOUTENIR VOTRE RÉCLAMATION.**

Après l'acceptation des articles, le propriétaire assume la responsabilité de bonne arrivée. Signalez les dommages au transporteur et complétez une réclamation immédiatement. Sinon votre réclamation pourrait être refusée. Le transporteur vous fournira les formulaires nécessaires pour compléter la réclamation.

**LES DOMMAGES CAUSÉS DURANT LE TRANSIT NE SONT PAS COUVERTS SOUS NOTRE GARANTIE.**

2. **VEUILLES INSPECTER SOIGNEUSEMENT LE CONTENU DE(S) L'EMBALLAGE(S) SUR RÉCEPTION !**

Nous devons être avertis par écrit de tous dommages et/ou pièces manquantes en dedans du nombre de jours alloué à partir de la date de réception de votre (vos) emballage(s). Communiquez avec votre fournisseur ou distributeur KOBE ou appelez KOBE pour la limite de temps.

**LES RÉCLAMATIONS NE SERONT PAS ACCEPTÉES APRÈS LE NOMBRE DE JOURS ALLOUÉ.**

REMARQUE : LES ARTICLES ONT ÉTÉ ENTIÈREMENT TESTÉS ET SOIGNEUSEMENT EMBALLÉS À NOTRE USINE AVANT L'EXPÉDITION.

3. Les produits doivent être retournés en bonne condition de fonctionnement avec TOUTES les pièces originales et la documentation emballés dans les boîtes d'origine, avec les particules de bourrage et les boîtes d'expédition. Des frais de réapprovisionnement de 25% seront chargés pour tous les articles approuvés.

**LES ÉCHANGES ET LES RETOURS PEUVENT NE PAS ÊTRE ACCEPTÉS SI TOUT EMBALLAGE EST MANQUANT.**

4. **ASSUREZ-VOUS D'INSPECTER LA HOTTE POUR TOUS DOMMAGES ET DÉFECTUOSITÉS AVANT L'INSTALLATION.** Les défauts dans l'apparence de la hotte trouvés après l'installation et qui n'affectent pas la performance de la hotte ne sont pas couverts sous notre garantie pour les retours et les échanges. Les visites de service non couvertes sous la garantie auront des frais de service.

A) Avant l'installation : Retour pour échange ou remboursement (veuillez voir ci-dessus pour les retours acceptables).

B) Après l'installation : AUCUN échange ou retour.

## **GARANTIE**

### **CERTIFICAT DE GARANTIE**

KOBE Range Hoods, Inc. garantit tous les produits fabriqués ou fournis par lui d'être exempts de toutes défauts de main d'œuvre ou de matériel. Ses obligations conformément à cette garantie sont limitées à une période de deux ans à partir de la date d'achat et à la réparation ou au remplacement selon son choix et sujet aux termes et conditions déclarées ci-dessous, de tout composant, que son examen divulguera être défectueux.

### **PÉRIODE DE SERVICE GARANTIE DEUX ANS**

Toute défauts garantie subvenant en dedans des deux ans de l'achat original et qui provient d'une défauts de main d'œuvre ou de matériel lors de la fabrication sera réparée ou remplacée (à notre propre discrétion) sans frais par un agent autorisé de KOBE Range Hoods ou KOBE Range Hoods selon le cas. Gardez une preuve d'achat (ou la facture originale) sous la main pour inspection.

Si la hotte de cuisine est vendue par l'acheteur original durant la période de garantie, le nouveau propriétaire est protégé jusqu'à l'expiration de la garantie de l'acheteur original.

### **CONDITIONS**

Les conditions suivantes s'appliquent uniquement par rapport à la garantie expressément donnée dans ce certificat.

- 1) Cette garantie s'applique uniquement :
  - a) aux États-Unis et au Canada.
  - b) aux hottes de cuisine utilisées pour UTILISATION PRIVÉE UNIFAMILIALE (si utilisées à DES FINS COMMERCIALES OU POUR DES IMMEUBLES D'HABITATION ou toutes autres fins, la garantie sera annulée).
- 2) La réparation de toute défauts couverte sous cette garantie ne sera pas effectuée :
  - a) le numéro d'identification attaché à la hotte de cuisine a été enlevé, altéré, ou rendu illisible ;
  - b) l'avis de défauts n'a pas été signalé en dedans de la période applicable ;
  - c) pour des défauts à des ampoules de lampes ;
  - d) pour des dommages physiques ;
  - e) pour des surfaces endommagées par l'utilisation d'agents nettoyants contenant des produits chimiques non appropriés ;
  - f) si l'appareil a été :
    - i) sujet à une mauvaise utilisation, un abus, une négligence, un accident, une installation incorrecte ou au non-respect du mode d'emploi ;
    - ii) branché à un service électrique incorrect, inadéquat ou défectueux ou à des conduits d'évacuation ou une enveloppe de conduits ou opéré en utilisant des lubrifiants incorrects ou contaminés ;
    - iii) installé, entretenu ou opéré avec un non-respect des instructions fournies par KOBE Range Hoods y compris l'utilisation de détergents, de javellisant ou de nettoyants non appropriés.
  - g) pour des dommages à la hotte de cuisine durant le transit, la livraison, l'installation ou la désinstallation.

- h) pour des dommages causés par ou résultant de tentatives de réparations effectuées par tout autre qu'un agent de service autorisé de KOBE.
- 3) L'acheteur sera responsable de toutes dépenses encourues pour rendre la hotte de cuisine facilement accessible pour le service et de tous frais de service pour les hottes de cuisine installées hors du territoire de vente principal du détaillant ou du territoire de service le plus près d'un agent de service autorisé de KOBE Range Hoods selon le cas, pour tous frais de déplacement et coûts de transport pour la hotte de cuisine ou les pièces vers et à partir du détaillant ou de l'agent de service.
  - 4) L'acheteur doit produire une preuve d'achat ainsi que ce certificat de garantie lorsqu'il fait une réclamation.
  - 5) Les dommages causés durant l'expédition ne sont pas couverts sous cette garantie.

### **DOMMAGE INDIRECT**

Le garant n'est pas responsable de tout dommage indirect. À MOINS D'HABITER DANS UNE PROVINCE QUI NE PERMET PAS L'EXCLUSION DE DOMMAGE INDIRECT.

### **GARANTIE IMPLICITE/LOI PROVINCIALE**

Toutes les garanties implicites, y compris la garantie implicite de valeur marchande et d'aptitude à l'usage, imposées sur la vente par les lois de la province de vente sont limitées à deux ans à partir de la date de l'achat original. Certaines provinces ne permettent pas de limites sur la durée des garanties implicites. Cette garantie vous confère des droits légaux spécifiques, qui peuvent varier d'une province à l'autre.

### **SERVICE**

Pour le service, veuillez communiquer avec :

KOBE Range Hoods, Inc.  
10505 Valley Blvd., Suite #302  
El Monte, CA 91731  
U.S.A  
Tél : (626) 350-1355 Fax: (626) 350-1976  
Courriel : [customer.service@koberangehoods.com](mailto:customer.service@koberangehoods.com)  
[www.KOBERangeHoods.com](http://www.KOBERangeHoods.com)

## ENREGISTREMENT DU PRODUIT

### Enregistrez votre produit !

Toute défectuosité garantie subvenant en dedans des deux ans de l'achat original et qui provient d'une défectuosité de main d'œuvre ou de matériel lors de la fabrication sera réparée ou remplacée (à notre propre discrétion) sans frais par un agent autorisé de KOBE Range Hoods ou KOBE Range Hoods selon le cas. Gardez une preuve d'achat (ou la facture originale) sous la main pour inspection.

Si la hotte de cuisine est vendue par l'acheteur original durant la période de garantie, le nouveau propriétaire est protégé jusqu'à l'expiration de la garantie de l'acheteur original. Consultez la section Garantie pour des informations complètes au sujet de la couverture de la garantie.

Cet appareil a été fabriqué, testé, et inspecté selon les normes requises par KOBE Range Hoods.

### VEUILLEZ POSTER VOTRE CARTE D'ENREGISTREMENT DE GARANTIE ET VOTRE PREUVE D'ACHAT À :

KOBE Range Hoods, Inc.  
10505 Valley Blvd.  
Suite 302  
El Monte, CA 91731, U.S.A.

### GARDEZ L'INFORMATION SUIVANTE POUR VOS DOSSIERS :

No. de modèle \_\_\_\_\_

No. de série \_\_\_\_\_

Date d'achat \_\_\_\_/\_\_\_\_/\_\_\_\_

Acheté de :

\_\_\_\_\_  
\_\_\_\_\_  
\_\_\_\_\_

**IMPORTANT: VEUILLEZ GARDER UNE COPIE DE VOTRE REÇU DE VENTE OU VOTRE FACTURE SOUS LA MAIN LORSQUE VOUS DEMANDEZ DU SERVICE.**

**KOBE**<sup>®</sup>

KOBE Range Hoods  
10505 Valley Blvd Suite # 302  
El Monte, CA 91731 USA

<http://www.KOBERangeHoods.com>

Cette hotte KOBE est fabriquée pour les ÉTATS-UNIS et le CANADA uniquement. Nous ne recommandons pas l'utilisation de cette hotte outremer puisque l'alimentation électrique peut ne pas être compatible et peut enfreindre le code d'électricité de ce pays. **Utiliser une hotte KOBE outremer est à vos propres risques et annulera la garantie.**

V.080107

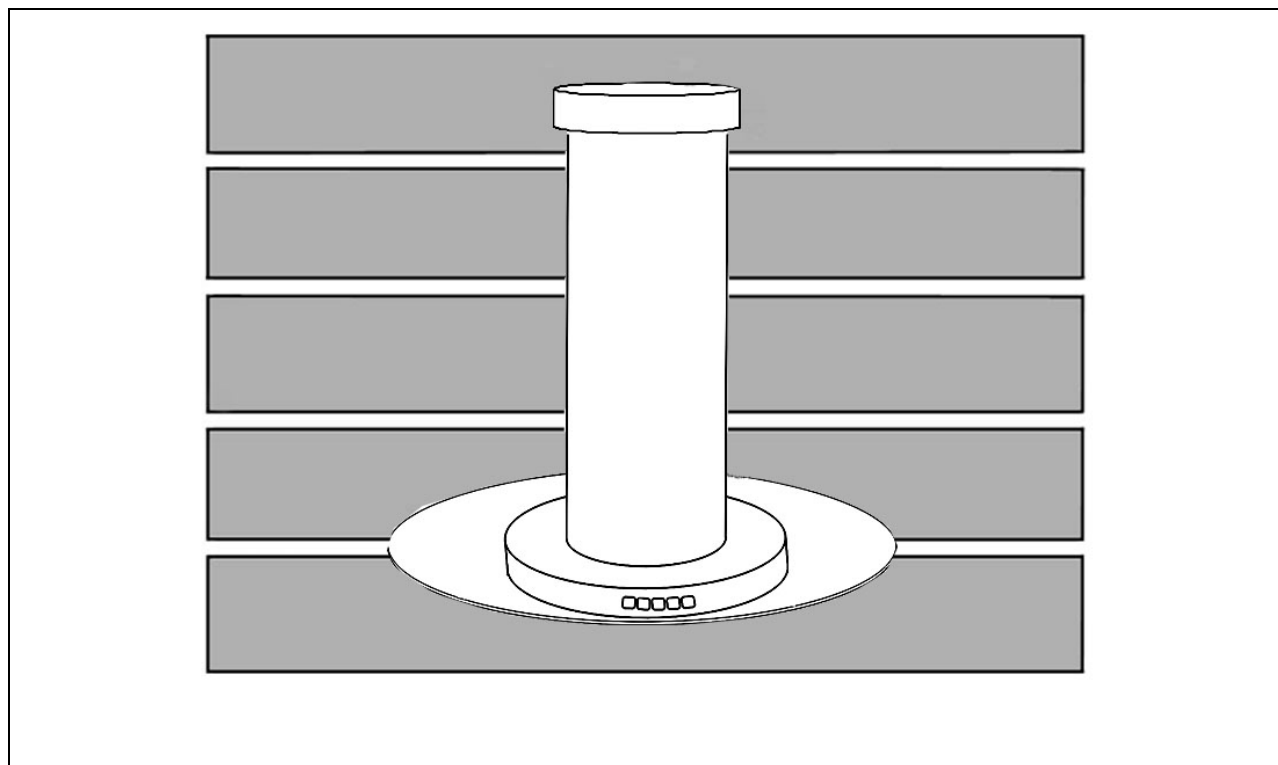




# **KOBE**® Campana de Extracción **KOBE**

Modelo No. IS2036GS  
IS2042GS

SERIE IS-20  
“CAMPANA DE VIDRIO DE ISLA”



**INSTRUCCIONES DE INSTALACIÓN  
Y MANUAL DE OPERACIÓN**

**- LEA Y CONSERVE ESTAS INSTRUCCIONES -**

**CONTENIDO**

INSTRUCCIONES IMPORTANTES DE SEGURIDAD .....	50
COMPONENTES DEL PAQUETE.....	52
INSTALACIÓN.....	53
INSTRUCCIONES DE OPERACIÓN .....	57
MANTENIMIENTO .....	58
ESPECIFICACIONES .....	60
MEDIDAS Y DIAGRAMAS .....	61
LISTADO DE PIEZAS .....	62
DIAGRAMA DE CIRCUITO .....	64
GUÍA PARA LA SOLUCIÓN DE PROBLEMAS .....	65
CLÁUSULA DE EXENCIÓN.....	66
GARANTÍA.....	67
REGISTRO DEL PRODUCTO .....	69

**- LEA CUIDADOSAMENTE TODAS LAS INSTRUCCIONES ANTES DE  
COMENZAR -**

**TODO EL CABLEADO DEBERÁ REALIZARSE POR UN  
PROFESIONAL  
Y DE ACUERDO CON TODOS LOS CÓDIGOS ELÉCTRICOS  
NACIONALES Y LOCALES**



## INSTRUCCIONES IMPORTANTES DE SEGURIDAD

- POR FAVOR, LEA CUIDADOSAMENTE ESTA SECCIÓN ANTES DE INSTALAR -

### **⚠️ ADVERTENCIA: PARA REDUCIR EL RIESGO DE INCENDIO, ELECTROCUCIÓN O LESIÓN PERSONAL, TOMA EN CUENTA LO SIGUIENTE:**

- 7) La instalación y el cableado eléctrico deberán realizarse por profesionales calificados y de acuerdo con todos los códigos y estándares correspondientes, incluyendo los códigos y normas sobre la construcción para prevenir incendios.
- 8) Al cortar o perforar una pared o techo, tenga cuidado de no dañar el cableado eléctrico u otras instalaciones de servicios ocultas.
- 9) Los ventiladores con conductos deberán tener una ventilación hacia el exterior.
  - a) Antes de darle servicio o limpiar la unidad, abra el panel de la luz y **DESCONECTE EL SUMINISTRO ELÉCTRICO EN EL PANEL DE SERVICIO.**
  - b) Limpie frecuentemente las superficies saturadas con grasa. Para reducir el riesgo de incendio y para dispersar el aire adecuadamente, asegúrese de ventilar el aire al exterior. **NO ventile el aire del escape en espacios cerrados entre paredes, áticos, espacios de acceso debajo de pisos o garajes.**

NOTA - Esta garantía no es válida sin un recibo de un agente autorizado o si la unidad se ha dañado debido al maltrato, mala instalación, uso inadecuado, abuso, negligencia o cualquier otra circunstancia que se encuentre fuera del control de los agentes autorizados de KOBE RANGE HOODS. Cualquier reparación que se realice sin la supervisión de los agentes autorizados de KOBE RANGE HOODS anulará la garantía automáticamente.

- KOBE RANGE HOODS no se hará responsable por cualquier daño a la propiedad personal o inmobiliario ni por las lesiones físicas que se hayan causado ya sea directa o indirectamente por la campana de extracción.

### **⚠️ ADVERTENCIA: PARA REDUCIR EL RIESGO QUE OCURRAN LESIONES PERSONALES EN CASO DE UN INCENDIO CAUSADO POR LA GRASA ACUMULADA EN LAS HORNILLAS DE LA ESTUFA:**

- Mantenga limpios todos los ventiladores, deflectores/separadores/filtros/conductos de aceite/recipientes para aceite y las superficies saturadas con grasa. No deberá permitirse que la grasa se acumule en el ventilador, deflector/separador/filtro/conducto de aceite/ recipiente para aceite.
- Siempre **ENCIENDA** el extractor cuando cocine.
- Utilice las configuraciones altas en la estufa **SOLAMENTE** cuando sea necesario.
- No deje la estufa sin supervisión mientras esté cocinando.
- Siempre utilice utensilios de cocina adecuados para el tipo y cantidad de alimentos que prepara.
- Utilice esta unidad únicamente de la manera en que fue diseñada por el fabricante.
- Antes de darle servicio, desconecte el suministro eléctrico en el panel de servicio y cierre bajo llave el panel de servicio (de ser posible) para prevenir que la unidad se encienda accidentalmente.
- Limpie el ventilador con frecuencia.

## Qué Hacer en Caso de un Incendio Causado por la Grasa Acumulada en las Hornillas de la Estufa

- SOFOQUE LAS LLAMAS con una tapadera, una bandeja para hornear galletas o una bandeja de metal que quede bien ajustada y luego apague la hornilla. MANTENGA TODO EL MATERIAL INFLAMABLE O COMBUSTIBLE LEJOS DE LAS LLAMAS. Si las llamas no se apagan inmediatamente, EVACUE EL ÁREA Y LLAME AL DEPARTAMENTO DE BOMBEROS o al 911.
- NUNCA LEVANTE UN SARTÉN QUE SE ESTÉ QUEMANDO – Usted Podría Quemarse.
- NO UTILICE AGUA, incluyendo paños o toallas mojadas - esto resultará en una explosión violenta de vapor.
- Utilice un extinguidor SOLO si:
  - a) Cuenta con un extinguidor Clase A, B, C y sabe cómo utilizarlo.
  - b) El incendio es pequeño y se ha contenido en el área en donde comenzó.
  - c) Ha llamado al departamento de bomberos.
  - d) Puede combatir el incendio con su espalda dirigida hacia una salida.


## Qué Hacer si Siente Olor a Gas

- Apague cualquier llama abierta.
- No intente encender las luces o cualquier otro tipo de aparato.
- Abra todas las puertas y ventanas para dispersar el gas. Si aún así siente olor a gas, llame a la Compañía de Gas y al Departamento de Bomberos inmediatamente.

## **⚠ PRECAUCIÓN**

- 11) Solamente para ventilación general. No utilizar para eliminar materiales y vapores peligrosos o explosivos.
- 12) Para reducir el peligro de incendio, utilice solamente una red de conductos metálicos. Necesita aire suficiente para la combustión y eliminación de gases por medio del conducto de ventilación (chimenea) para prevenir la explosión de flujo de aire en retroceso.
- 13) Siga las directrices y estándares de seguridad del fabricante del equipo de calefacción, tales como aquellos publicados por la Asociación de Protección contra Incendios (National Fire Protection Association – NFPA) y la Sociedad Americana de Ingenieros en Calefacción, Refrigeración y Aire Acondicionado (American Society for Heating, Refrigeration and Air Conditioning Engineers – ASHRAE) y las autoridades normativas.
- 14) Activar cualquier interruptor podría causar una explosión o ignición.
- 15) Debido al tamaño y peso de esta campana de extracción, se recomienda que la instalación sea realizada por dos personas.

**ADVERTENCIA** **RIESGO DE ELECTROCUCIÓN – Puede resultar en lesiones serias o la muerte. Desconecte el aparato del suministro eléctrico antes de darle servicio. Si estuviera equipado con éste, el foco fluorescente, debido a que contiene pequeñas cantidades de mercurio, deberá reciclarse o desecharse según los Códigos Locales, Estatales y Federales.**



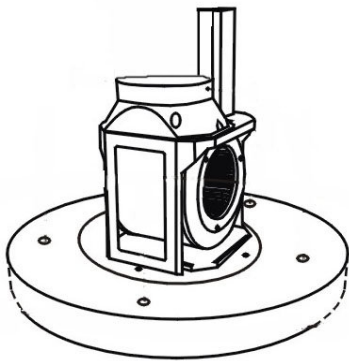
## COMPONENTES DEL PAQUETE

(Debe conservar todo el material en caso de devolverlo o solicitar un reembolso)

### Caja 1 de 3

- {A} Campana de Extracción KOBE
- {B} Tarjeta de Registro para Garantía
- {C} Manual de Instrucciones
- {D} Filtro Inoxidable - 1
- {E} Collar de Acero inoxidable - 1

{A}



{B}

**WARRANTY REGISTRATION CARD**

OWNER NAME: \_\_\_\_\_ UNIT NAME: \_\_\_\_\_  
 STREET: \_\_\_\_\_ APT. NO.: \_\_\_\_\_  
 CITY: \_\_\_\_\_ STATE: \_\_\_\_\_ ZIP CODE: \_\_\_\_\_  
 COUNTRY: \_\_\_\_\_  
 TEL. NO.: \_\_\_\_\_ FAX NO.: \_\_\_\_\_  
 MODEL NO.: \_\_\_\_\_ SERIAL NO.: \_\_\_\_\_

PLEASE PRINT OR TYPE

**KOBE KOBE RANGE HOODS**

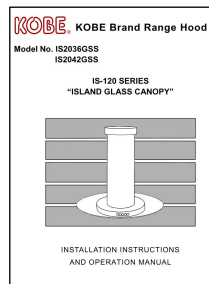
THIS APPLIANCE HAS BEEN MANUFACTURED, TESTED AND INSPECTED TO THE STANDARDS REQUIRED BY KOBE RANGE HOODS.

MODEL NO. SERIAL NO.

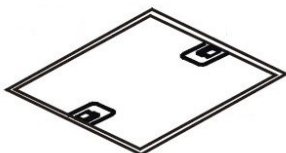
LOAD TEST PERFORMANCE TESTED FINAL INSPECTION

IF YOU HAVE ANY QUESTIONS, PLEASE CONTACT OUR CUSTOMER SERVICE AT (626) 350-1355 OR VISIT [WWW.KOBERANGEHOODS.COM](http://WWW.KOBERANGEHOODS.COM)

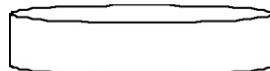
{C}



{D}

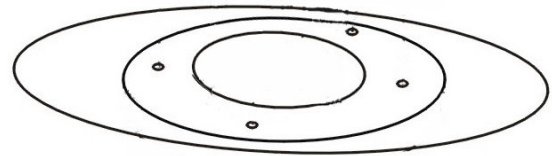


{E}



### Caja 2 de 3

- {F} Campana de Vidrio - 1



### Caja 3 de 3

- {G} Paquete de Tornillos - 1
- {H} Cubierta de Conductos de una Pieza - 1
- {I} Soporte de Montaje - 1
- {J} Plantilla de Montaje

{G}



M5 x 20 (4piezas) y arandelas (4 juegos)

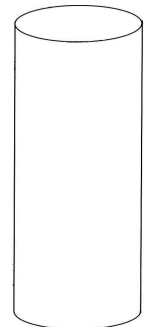


M8 (4piezas) y arandelas (4 piezas)



M5 x 10 (5piezas)

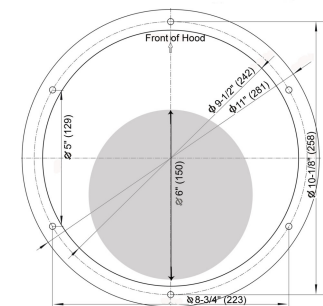
{H}



{I}



{J}



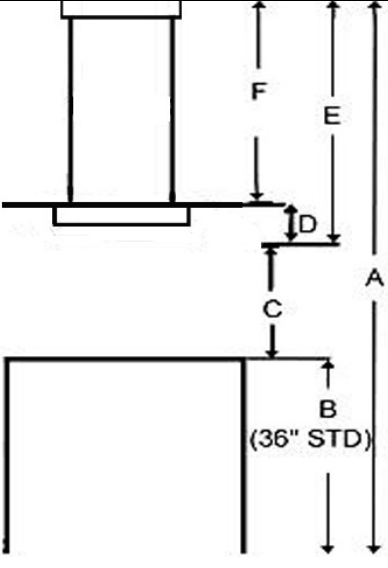
◆ **KIT DE RECIRCULACIÓN OPCIONAL DISPONIBLE. PARA OBTENER MÁS INFORMACIÓN, POR FAVOR VISITE NUESTRO SITIO DE INTERNET [WWW.KOBERANGEHOODS.COM](http://WWW.KOBERANGEHOODS.COM) O CONTACTE A KOBE RANGE HOODS AL (626) 350-1355.**

## INSTALACIÓN

POR FAVOR, LEA LAS INSTRUCCIONES COMPLETAMENTE ANTES DE CONTINUAR

### Cálculo antes de la Instalación

Para realizar el cálculo para la instalación, por favor consulte la TABLA 1. (Todos los cálculos están hechos en pulgadas).

<b>TABLA 1</b>  A = Altura del Piso al Techo B = Altura del Piso a la Superficie del Mostrador (Estándar: 36") <b>C = Altura Preferida de la Superficie del Mostrador a Parte Inferior de la Campana (Se recomienda de 30" a 36")</b> D = Altura de la Campana E = Altura de Instalación de la Campana [A – (B+C)] F = Altura de la Cubierta de Conductos [E – D]	 <p>El diagrama ilustra la instalación de una campana extractora. Muestra un mostrador y una campana extractora montada en el techo. Las dimensiones se definen como: A (altura total del piso al techo), B (altura del piso al mostrador, con un estándar de 36 pulgadas), C (altura desde la superficie del mostrador hasta la parte inferior de la campana), D (altura de la campana), E (altura de instalación de la campana, calculada como A - (B + C)), y F (altura de la cubierta de conductos, calculada como E - D).</p>
--	---

### **⚠️ ADVERTENCIA DE SEGURIDAD**

**LA CAMPANA PODRÍA TENER EXTREMOS SUMAMENTE FILOSOS; FAVOR DE UTILIZAR GANTES PROTECTORES SI VA A RETIRAR CUALQUIER PIEZA PARA INSTALAR, LIMPIAR O DARLE SERVICIO.**

**NOTA: TENGA MUCHO CUIDADO AL UTILIZAR UN DESTORNILLADOR ELÉCTRICO; PODRÍA CAUSAR DAÑOS A LA CAMPANA.**

## Preparación antes de la Instalación

NOTA: PARA EVITAR CAUSAR DAÑOS A SU CAMPANA, EVITE QUE DESECHOS PENETREN EN LA RENDIJA DE VENTILACIÓN

- Decida la ubicación para colocar el conducto de ventilación de la campana hacia el exterior. (Figura 1)
- Un ducto de escape recto y corto permitirá que la campana trabaje con más eficiencia.
- Intente evitar tantas conexiones, codos y ductos largos como sea posible. Esto podría reducir el rendimiento de la campana.
- Antes de instalar, conecte temporalmente la campana para verificar que funcione adecuadamente.
- **Importante: Retire la película protectora de la campana y cubiertas de conductos, si hubiera alguna.**
- Utilice cinta aislante (duct tape) para sellar las uniones entre las secciones de los conductos.

## Planificación Anticipada

1. Marque las líneas centrales de la estufa en el techo. Utilice las líneas centrales marcadas en el techo para colocar la plantilla de montaje según se muestra en la Figura 2 y 3.
2. Remueva y guarde la plantilla. Corte y remueva la tablaroca (drywall) del techo. Instale madera de entramado de 2" x 4" (no proporcionada) entre las vigas del techo.
3. El entramado deberá tener un espacio de 10-1/8" desde la línea de centro frontal y 8-3/4" en los lados para permitir la colocación del tornillo de montaje en el soporte de montaje. Consulte las MEDIDAS Y DIAGRAMAS en la página 58.
4. Arregle la superficie del techo. Asegúrese de marcar la ubicación de las vigas del techo y la madera de entramado.
5. Alinee la plantilla de montaje con las marcas en el techo y colóquela con cinta adhesiva. Corte el ducto de 6-1/4" y un orificio de aproximadamente 1" para acceso del cable. Perfore agujeros para los 6

Figura 1

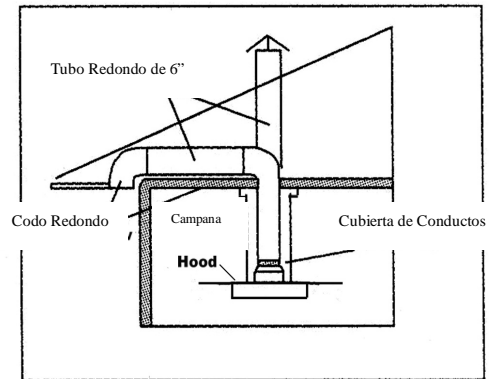


Figura 2

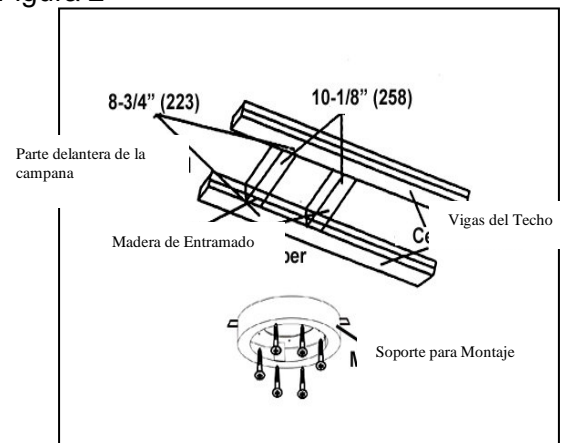
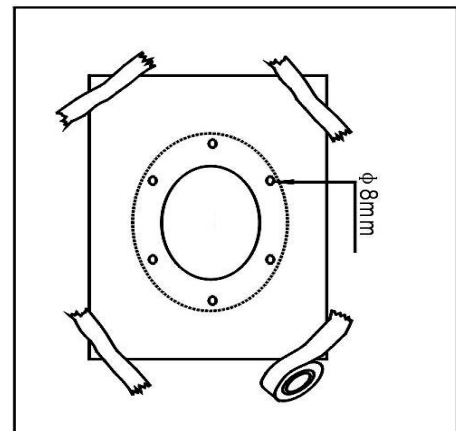


Figura 3





tornillos de montaje, según lo indica la plantilla.

6. Alinee el soporte de montaje con los agujeros perforados en el techo y fije las vigas y entramado utilizando 6 tornillos (no proporcionados). Asegúrese que los tornillos penetren en el centro de las vigas y entramado para brindar un soporte máximo.

### Cableado Hacia la Fuente de Alimentación



### ADVERTENCIA DE SEGURIDAD

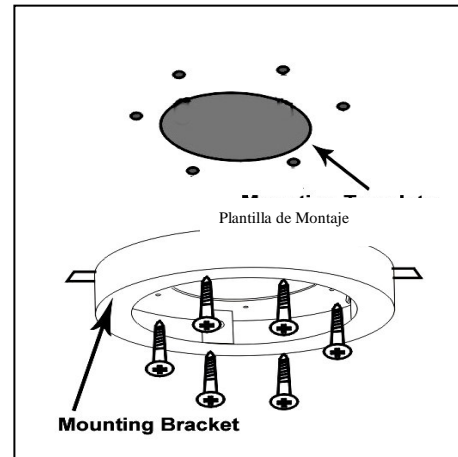
**RIESGO DE ELECTROCUCIÓN. ESTA CAMPANA DE EXTRACCIÓN DEBERÁ TENER UNA CONEXIÓN A TIERRA ADECUADA. ASEGÚRESE QUE ESTO SE REALICE POR UN ELECTRICISTA CALIFICADO Y DE ACUERDO CON TODOS LOS CÓDIGOS ELÉCTRICOS NACIONALES Y LOCALES CORRESPONDIENTES. ANTES DE CONECTAR LOS CABLES, DESCONECTE EL SUMINISTRO ELÉCTRICO EN EL PANEL DE SERVICIO Y CIERRE BAJO LLAVE EL PANEL PARA PREVENIR QUE LA UNIDAD SE ENCIENDA ACCIDENTALMENTE.**

7. Enrute el cableado de la cubierta hacia el techo, tan cerca como sea posible de la ubicación en donde se instalará. Asegúrese de dejar suficiente cable adicional para que baje del techo hacia la caja eléctrica.
8. Conecte los cables eléctricos según su color (negro con negro, blanco con blanco y verde con verde) y tape con conectores de cables. Los cables verdes deberán tener conexión a tierra para reducir el riesgo de electrocución.

### Instalación de la Red de Conductos

9. Utilice un tubo redondo de acero o aluminio de 6" (no proporcionado) para conectar el regulador circular de 6" en la campana a la red de conductos arriba. NOTA: Coloque el tubo redondo de 6" sobre el regulador. Selle utilizando la cinta aislante (duct tape) para que todas las uniones queden firmes y seguras. NOTA: ASEGÚRESE QUE LAS ALETAS EN EL REGULADOR PUEDAN

Figura 4



Soporte para Montaje

Figura 5

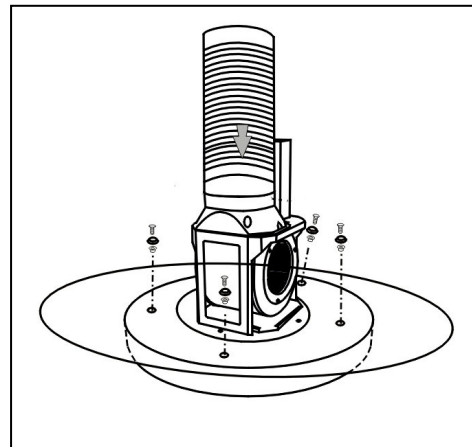
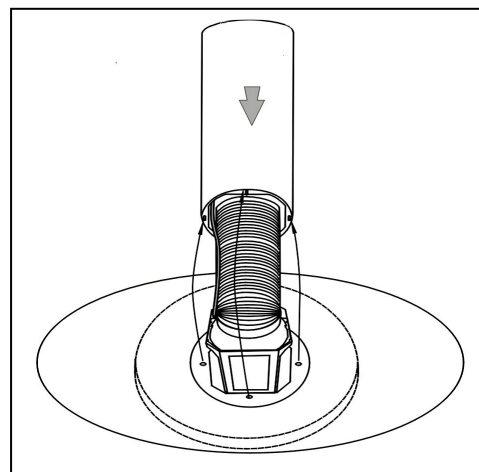


Figura 6



ABRIRSE Y CERRARSE SIN PROBLEMAS. (Figura 6)

### Instalación de la Cubierta de Conductos

10. Deslice la campana de vidrio en el sistema del ventilador. Fije el vidrio en la parte superior de la campana de extracción utilizando 4 tornillos (M5 x 20) y 4 arandelas (proporcionados) (Figura 5)
11. Deslice la cubierta de conductos en la unidad del ventilador, fijela por debajo de la unidad del ventilador utilizando 4 tuercas (M8) y 4 arandelas (proporcionadas) Consulte la Figura 6 y 7.
12. Deslice cuidadosamente el collar de acero inoxidable a través de la cubierta de conductos hacia la parte superior del vidrio. Consulte la Figura 8.
13. Con ayuda, alinee la cubierta de conductos con el soporte de montaje y fijela con 5 tornillos (M5 X 10) (proporcionados). Consulte la Figura 9. **Importante: Asegúrese que la orientación de la campana sea la correcta antes de fijarla.**
14. Deslice el collar de acero inoxidable hacia la parte superior de la cubierta de conductos. Consulte la Figura 10.
15. Bloquee el collar de acero inoxidable hacia la derecha o izquierda para fijarlo.
16. Retire la película protectora del collar de acero inoxidable.
17. Coloque el filtro de acero inoxidable en su lugar.

### Ensamblaje Final

18. ENCIÉNDALO y verifique el funcionamiento de todas las luces y el ventilador.
19. Asegúrese de dejar este manual con el propietario de la vivienda.

Figura 7

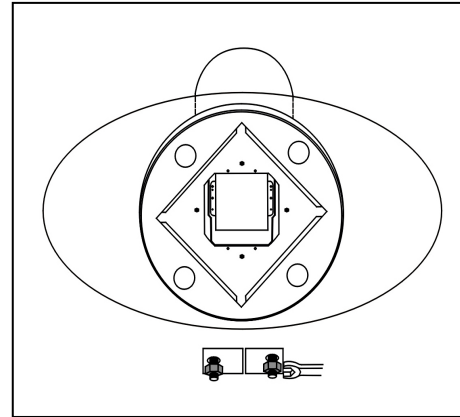


Figura 8

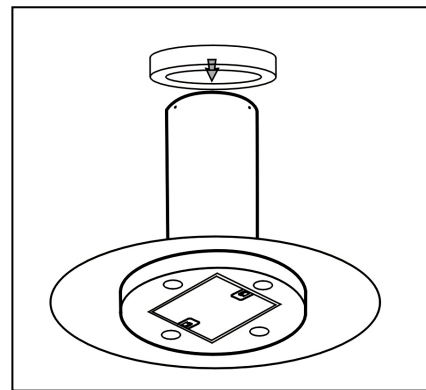


Figura 9

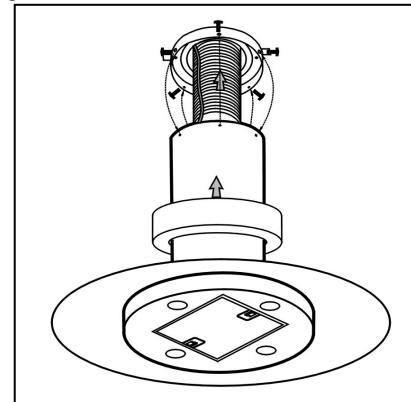
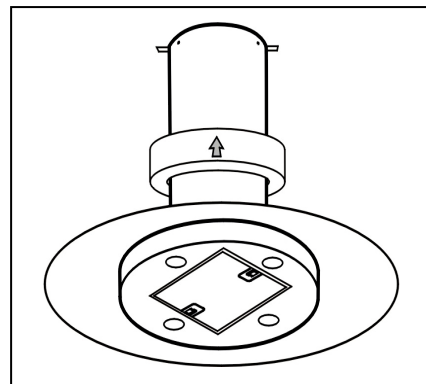


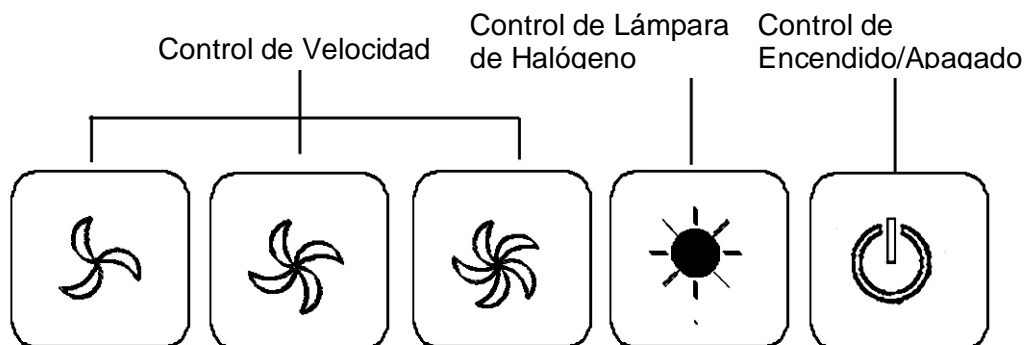
Figura 10



## INSTRUCCIONES DE OPERACIÓN

Esta campana de extracción KOBE está equipada con cinco botones táctiles, jaulas de ardilla horizontales dobles con filtro de acero inoxidable y cuatro focos brillantes de halógeno de 12-voltios/20vatios.

Los cinco botones táctiles son: Control Encendido/Apagado, Control de Velocidad (Alto, Medio y Bajo) y Control de Luz.



Nota: Para obtener mejores resultados, coloque el extractor en la velocidad baja antes de preparar alimentos o cocinar. Ajuste la velocidad según sea necesario.

### **Control Encendido/Apagado**

Oprima el Control Encendido/Apagado para encender o apagar el extractor.

Esta unidad está equipada con una función de desactivación luego de 1 minuto de retraso. Para activar esta función, oprima el Control de Encendido/Apagado una vez, las luces del panel titilarán y la unidad se apagará completamente después de 1 minuto.

Oprima el Control Encendido/Apagado dos veces, y el ventilador se apagará inmediatamente.

### **Control de Velocidad**

Oprima el Control de Velocidad para activar la Velocidad Baja, Media o Alta.

### **Control de Luz**

(El control de la luz es separado del control de Encendido/Apagado. Apagar la unidad no apagará las luces.)

Oprima el Control de Luz para encender o apagar las luces.

## MANTENIMIENTO

### ADVERTENCIA DE SEGURIDAD

**NUNCA COLOQUE SUS MANOS DENTRO DE LA CAJA DEL VENTILADOR MIENTRAS ESTE SE ENCUENTRE FUNCIONADO.**

** PRECAUCIÓN: NUNCA UTILICE LIMPIADORES, ALMOHADILLAS O PAÑOS ABRASIVOS. NO UTILICE TOALLAS DE PAPEL SOBRE EL ACERO INOXIDABLE.**

Para un funcionamiento óptimo, limpie la campana de extracción y todos los deflectores/separadores/filtros/conductos de aceite/recipientes para aceite con regularidad.

\*\*\*El cuidado regular ayudará a preservar la apariencia de la campana.

1. Utilice solamente jabón o soluciones detergentes suaves. Seque las superficies utilizando un paño suave.
2. Si la campana se ve manchada (campana de acero inoxidable), utilice un limpiador para acero inoxidable para limpiar la superficie de la campana. Evite que la solución de limpieza caiga sobre o en el panel de control. Siga las instrucciones del limpiador de acero inoxidable.  
**Precaución: No lo deje por mucho tiempo pues podría dañar el acabado de la campana.** Utilice una toalla suave para limpiar la solución de limpieza y frote cuidadosamente cualquier área difícil de limpiar. Utilice una toalla suave y seca para secar la campana.
3. NO permita que depósitos se acumulen o permanezcan sobre la campana.
4. NO utilice lana de acero o cepillos de acero ordinarios. Pequeños pedazos de acero podrían adherirse a la superficie y causar óxido.
5. NO permita que soluciones de sal, desinfectantes, blanqueadores o compuestos de limpieza permanezcan en contacto con el acero inoxidable por periodos de tiempo prolongados. Muchos de estos compuestos contienen químicos, que podrían ser perjudiciales. Enjuague con agua después del contacto y seque con un paño limpio libre de pelusas.

### Para limpiar el Deflector, Separador, Filtro, Conductos de Aceite y Recipiente para Aceite

** PRECAUCIÓN: ESCURRA EL ACEITE DE LOS DEFLECTORES, SEPARADOR(ES), FILTROS, CONDUCTO(S) DE ACEITE Y RECIPIENTE PARA ACEITE ANTES QUE EL ACEITE Y RESIDUOS PUEDAN DESBORDARSE.**

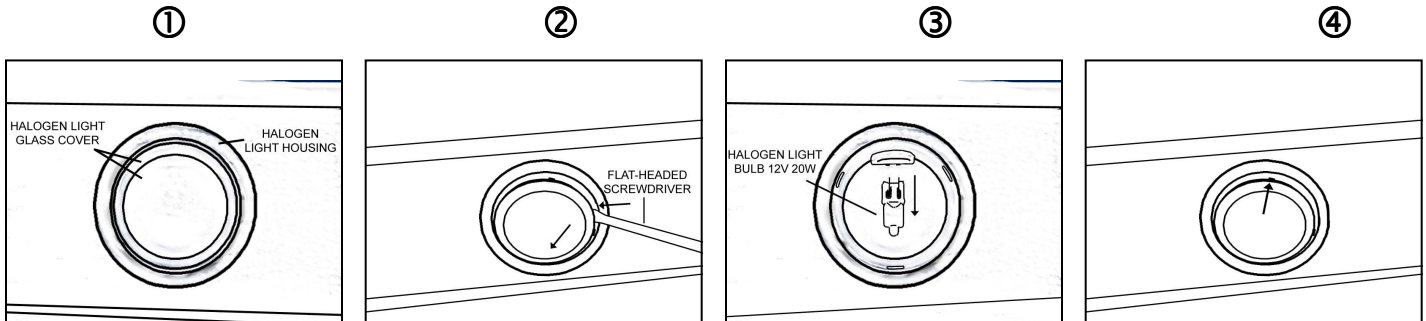
#### Limpieza de los Filtros Deflectores

1. Remueva todos los deflectores, espaciador(es) y conducto(s) de aceite. Siga las instrucciones que se encuentran en la página 7, en reversa.
2. Deseche el aceite y residuos.
3. Lave con agua tibia jabonosa. Seque completamente antes de colocarlo de nuevo.  
*(Nota: Los Deflectores de Acero Inoxidable, Espaciador(es) y Conducto(s) de Aceite pueden colocarse en el tramo superior del lavaplatos automático.)*

## Para Reemplazar los Focos de la Lámpara de Halógeno

**PRECAUCIÓN: ¡LA UNIDAD DE LA LÁMPARA DE HALÓGENO PODRÍA ESTAR CALIENTE!  
ESPERE HASTA QUE SE ENFRÍE**

**NOTA: NO TOQUE LA LÁMPARA DE HALÓGENO CON LAS MANOS DESPROTEGIDAS, PUES  
PODRÍA CAUSAR SOBRECALENTAMIENTO Y REDUCIR EL TIEMPO DE VIDA DE LOS FOCOS.**



Halogen Light Glass Cover = Cubierta de Vidrio de la Lámpara de Halógeno

Halogen Light Housing = Carcasa de la Lámpara de Halógeno

Flat-headed screwdriver = Destornillador de Cabeza Plana

Halogen Light Bulb 12V 20W = Foco de Halógeno 12V 20W

1. Asegúrese que todos los controles se encuentren APAGADOS y que la campana de extracción se encuentre desconectada.
2. Coloque el destornillador de cabeza plana en la ranura localizada entre la cubierta de vidrio de la lámpara de halógeno y la carcasa (1).
3. Retire cuidadosamente la cubierta de vidrio de la carcasa.(2).
4. Hale suavemente el foco insertable (3) y deséchelo. Los focos deberán ser de 12V 20W como máximo.
5. Utilice un guante o un paño para sujetar el nuevo foco y empújelo para colocarlo en el receptáculo para focos. NOTA: NO LO EMPUJE DEMASIADO FUERTE PUES PODRÍA QUEBRAR EL CONECTOR PARA FOCO.
6. Coloque nuevamente la cubierta de vidrio de la lámpara de halógeno(4).
7. Enchufe nuevamente el cable de corriente y encienda la campana de extracción para verificar su funcionamiento.

## ESPECIFICACIONES

<b>CAJA 1 DE 3 MODELO / TAMAÑO</b>	IS20S – Unidad de Ventilador
<b>CAJA 2 DE 3 MODELO / TAMAÑO</b>	IS2036GS / 36" - Campana de Vidrio IS2042GS / 42" - Campana de Vidrio
<b>CAJA 3 DE 3 MODELO / TAMAÑO</b>	IS20DC-28 – 27-1/4" Altura. Cubierta de Conductos IS20DC-40 – 39-1/4" Altura. Cubierta de Conductos
<b>COLOR</b>	Acero Inoxidable de Clasificación Comercial
<b>CONSUMO / AMPERAJE</b>	270W / 3.0A
<b>VOLTAJE</b>	120V 60Hz
<b>TIPO DE VENTILADOR</b>	Jaula de Ardilla Horizontal Única
<b>DISEÑO</b>	Acabado Satinado / Liso Calibre 20
<b>EXTRACTOR</b>	Regulador Circular Superior de 6"
<b>CONTROLES</b>	5 Botones Táctiles (Función de Desactivación con 1 Minuto de Retraso)
<b>FOCOS DE HALÓGENO</b>	12V 20W x 4
<b>DIMENSIONES DE LA CAMPANA (ANCHO X PROFUNDIDAD X ALTO)</b>	18-7/8" x 18-7/8" x 2-1/2"
<b>DIMENSIONES DE LA CAMPANA (Con Cubierta de Conductos y Vidrio) (ANCHO X PROFUNDIDAD X ALTO)</b>	35-3/4" x 27" x (30" or 42")*
	41-3/4" x 27" x (30" or 42")*

**ACCESORIOS OPCIONALES**      **Kit de Recirculación – Artículo No. RD-0020**  
(VENDIDOS POR SEPARADO)

		<u>Neto</u>	<u>Bruto</u>
<b>PESO (lbs)</b>	<b>(IS2036GS)</b>	18.7	30.8
	<b>(IS2042GS)</b>	22.0	34.8
	<b>(IS20DC-28)</b>	9.9	17.6
	<b>(IS20DC-40)</b>	13.2	19.8
	<b>(IS20S)</b>	13.2	28.6

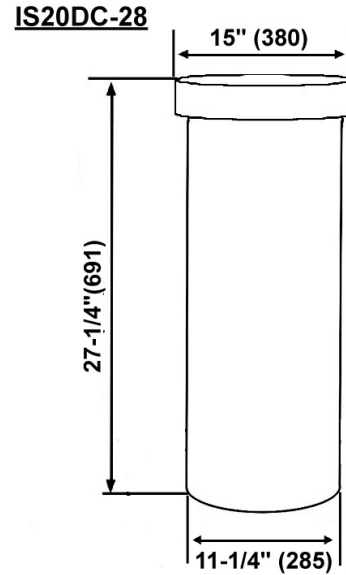
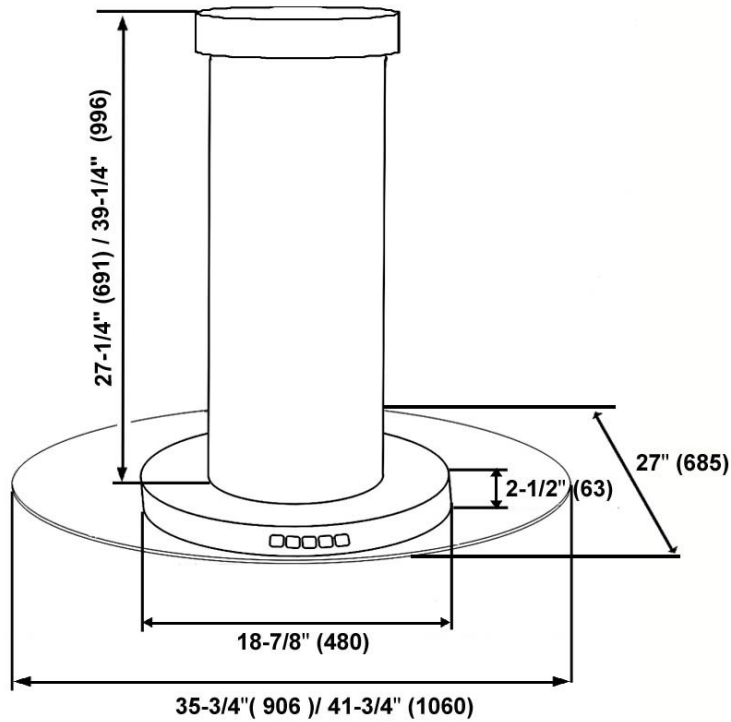
<b>VELOCIDAD</b>	<b>Baja</b>	<b>Mediana</b>	<b>Alta</b>
<b>Capacidad de Aire (cfm)**</b>	200	280	420
<b>Sonio (dB)</b>	1.4 (45dB)	2.8 (55dB)	5.4 (64dB)

\*La dimensión de altura de la campana depende de la elección de la cubierta de conductos requerida. Las especificaciones están sujetas a cambio sin previo aviso.

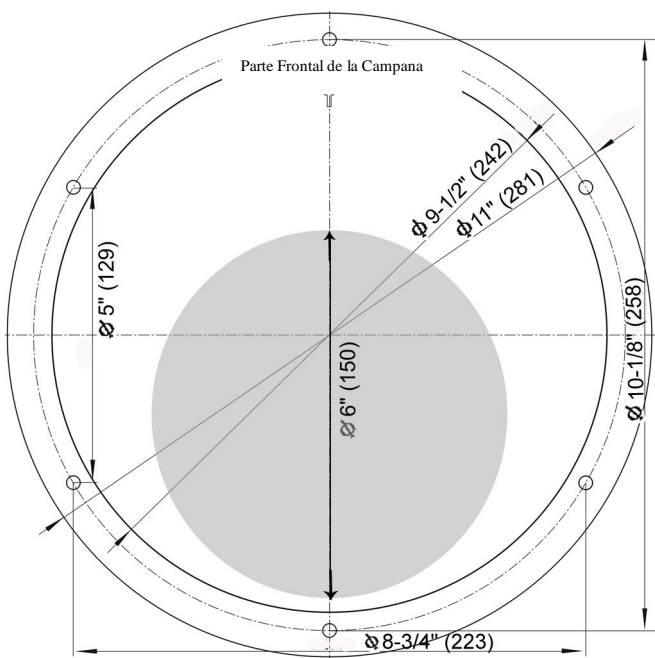
\*\*Presión Estática de Prueba Realizada Internamente "0"

## MEDIDAS Y DIAGRAMAS

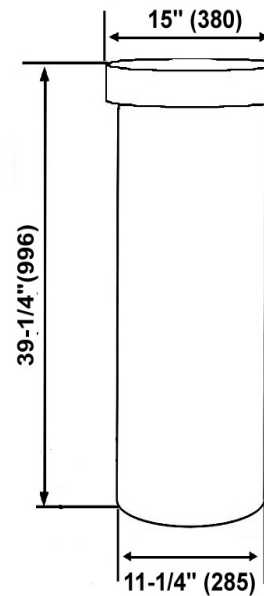
- ◆ Todas las medidas ( ) están en milímetros.
- ◆ Todas las medidas en pulgadas han sido convertidas de milímetros. Las medidas en pulgadas son medidas aproximadas.



\*\*\* Plantilla de Montaje



IS20DC-40



**LISTADO DE PIEZAS**

**MODELO** IS2036GS  
**NO.:** IS2042GS

Caja 1 de 3

<b>ARTICULO NO. IS20S (Unidad de Ventilador)</b>			
<b>NO.</b>	<b>DESCRIPCIÓN</b>	<b>MODELO</b>	<b>PIEZA NO.</b>
01	Caja de Cableado Eléctrico		ISL120-1
02	Transformador de Luz		ISL120-2
03	Condensador		ISL120-3
04	Placa de Procesador		ISL120-4
05	Panel de Soporte Eléctrico		ISL120-5
06	Cubierta de Caja de Cableado Eléctrico		ISL120-6
07	Regulador Circular de 6"		ISL120-7
08	Soporte de Cámara de Aire		ISL120-8
09	Collar de Acero Inoxidable		ISL120-10
10	Motor		ISL120-12
11	Cubierta del Motor		ISL120-13
12	Cámara de Aire		ISL120-14
13	Jaula de Ardilla		ISL120-15
14	Tuerca		ISL120-16
15	Cubierta del Ventilador con Pantalla Protectora		ISL120-17
16	Cuerpo Redondo		ISL120-19
17	Filtro de Acero Inoxidable		ISL120-20
18	Lámpara de Halógeno		ISL120-21
19	Unidad de Control		ISL120-22
20	Cubierta de la Unidad de Control		ISL120-23

Caja 2 de 3

<b>MODELO NO. IS2036GS / IS2042GS (Vidrio)</b>			
<b>NO.</b>	<b>DESCRIPCIÓN</b>	<b>MODELO</b>	<b>PIEZA NO.</b>
21	Campana de Vidrio	IS2036GS	ISL120-18
		IS2042GS	ISL120-18-1

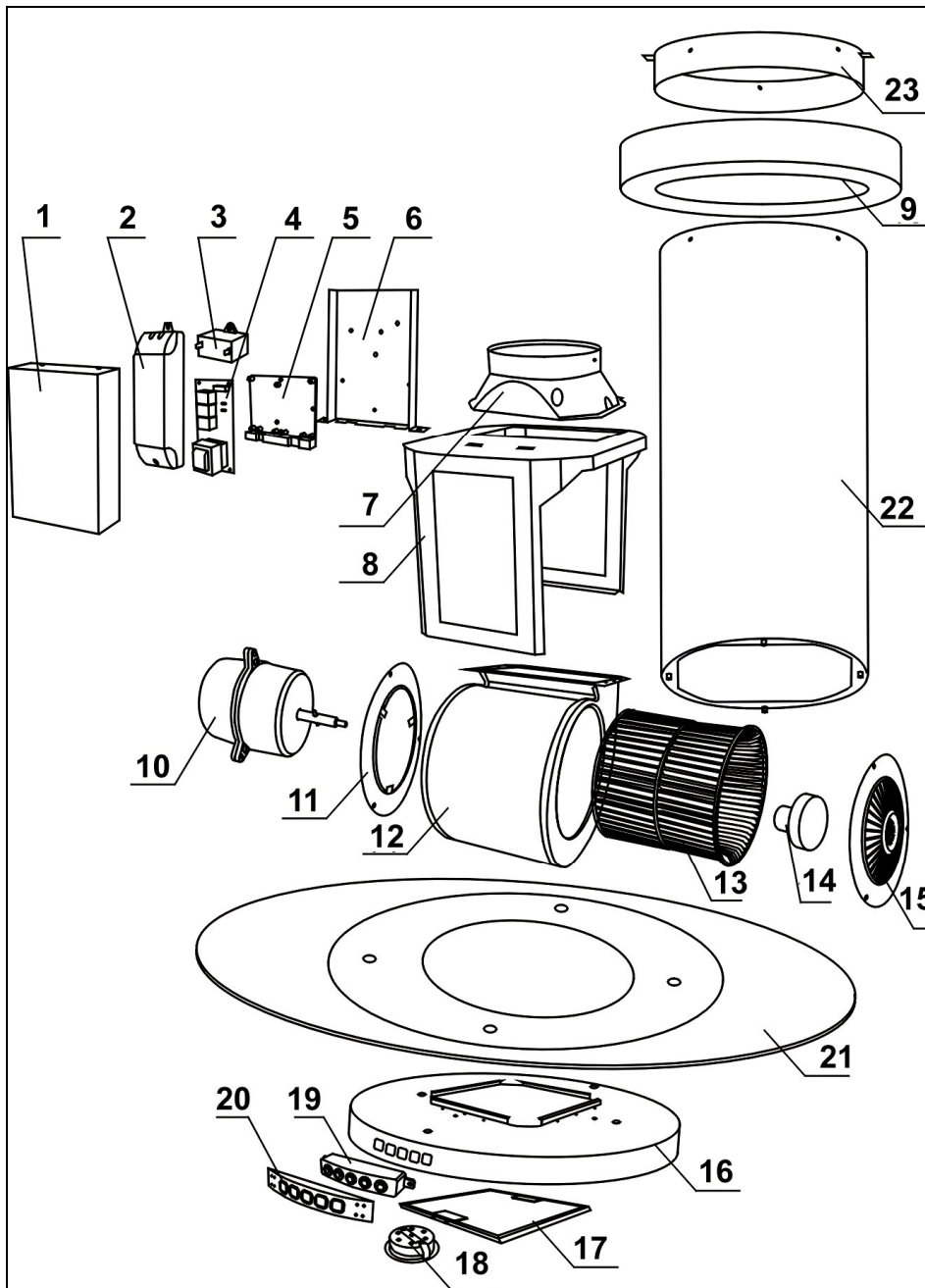
(Caja 3 de 3)

<b>ARTICULO NO. IS20DC-28 / IS20DC-40 (Cubierta de Conductos)</b>			
<b>NO.</b>	<b>DESCRIPCIÓN</b>	<b>MODELO</b>	<b>PIEZA NO.</b>
22	Cubierta de Conductos	IS20DC-28	ISL120-11
		IS20DC-40	ISL120-11-1
23	Soporte de Montaje		ISL120-9

<b>KIT DE RECIRCULACIÓN – ARTICULO NO. RD-0020 (OPCIONAL)</b>			
<b>NO.</b>	<b>DESCRIPCIÓN</b>	<b>MODELO</b>	<b>PIEZA NO.</b>
24	Caja		ISL120-A
25	Adaptador del Extractor		ISL120-B
26	Filtro de Carbono		ISL120-C

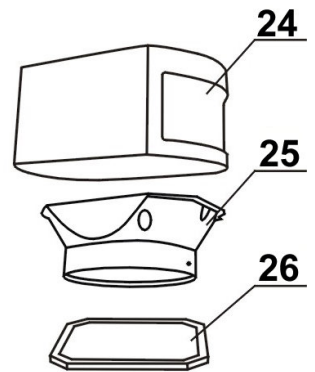


MODELO IS2036GS  
NO.: IS2042GS



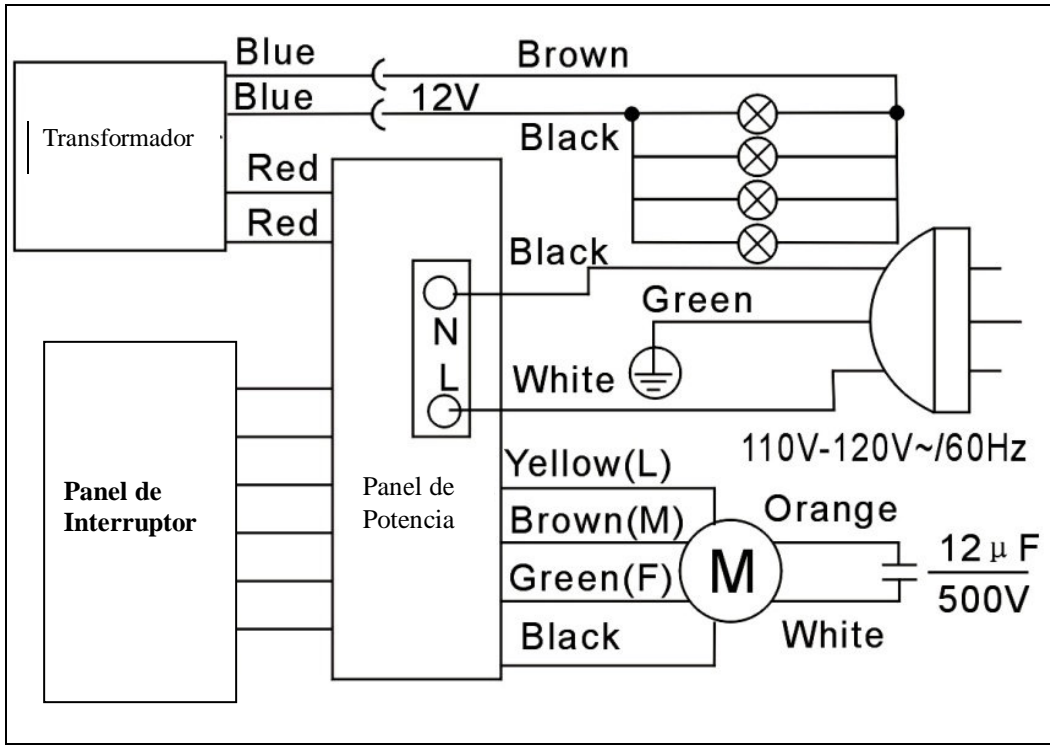
**KIT DE  
RECIRCULACIÓN**  
Artículo No. RD-0020

(Vendidos por Separado)



# DIAGRAMA DE CIRCUITO

MODELO IS2036GS  
 NO.: IS2042GS



Blue = Azul	Brown = Café	Red = Rojo	Black = Negro	Green = Verde
Yellow = Amarillo	Orange = Naranja	White = Blanco		

## Guía para la Solución de Problemas

Problema	Posible Causa	Solución
Después de la Instalación, ninguno de los motores ni las luces están funcionando.	No está encendido.	Asegúrese que el interruptor de circuitos y la unidad se encuentren encendidos. Utilice un medidor de voltaje para verificar la energía de entrada.
	La conexión de cables no está bien sujeta.	Verifique y ajuste la conexión de cables.
	El cableado del panel de control y la placa de procesador está desconectado.	Verifique la continuidad del cable desde el panel de control hasta la placa de procesador.
	El transformador del motor está defectuoso.	Verifique la entrada y salida de la corriente el transformador del motor. De ser necesario, reemplace el transformador del motor.
	El panel de control y la placa de procesador están defectuosos.	Reemplace el panel de control o la placa de procesador.
Las luces están funcionando pero el(los) motor(es) no.	El(los) motor(es) está(n) defectuoso(s).	Reemplace el motor.
	El(los) condensador(es) está(n) defectuoso(s).	Reemplace el(los) condensador(es).
	El panel de control o la placa de procesador están defectuosos.	Reemplace el panel de control o la placa de procesador.
La campana de extracción está vibrando.	El sistema de ventilador no está bien sujeto.	Tighten the turbine impeller/squirrel cage and air chamber.
	El impulsor de turbina/jaula de ardilla no está balanceado.	Ajuste el impulsor de turbina/jaula de ardilla y la cámara de aire.
	La campana no está bien sujeta en su lugar	Verifique la instalación de la campana, ajuste el soporte de montaje.
El motor está funcionando pero las luces no.	El(los) foco(s) de la Lámpara de Halógeno está(n) defectuoso(s).	Intente colocar el foco que le está dando problemas en otro receptáculo que funcione, si aún así éste no funciona, reemplace el foco de halógeno.
	El cableado de la luz está flojo.	Verifique la continuidad del cable desde la placa de procesador al transformador de la luz hasta la caja de la lámpara de halógeno.
	El transformador de la luz está defectuoso.	Verifique la entrada y salida de la corriente en el transformador de la luz. De ser necesario, reemplace el transformador de la luz.
	El panel de control o la placa de procesador están defectuosos.	Reemplace el panel de control o la placa de procesador.
La campana de extracción no está ventilando correctamente.	La campana de extracción no se encuentra instalada en el espacio recomendando por el fabricante.	Ajuste el espacio entre la campana y la parte superior de la estufa a 27" a 30". Para la campana de cocina de isla, el espacio entre la campana y la parte superior de la estufa deberá ser de 30" a 36"
	No hay aire de reposición en la casa.	Abra la ventana para optimizar el rendimiento de la campana de extracción creando suficiente aire de reposición.
	Una obstrucción bloquea la red de conductos.	Remueva todas las obstrucciones de la red de conductos.
	El tamaño del tubo es más pequeño que el tubo recomendado.	Cambie los tubos de acuerdo con la recomendación del fabricante.
Aire frío entra en la casa	La conexión de los conductos no está sellada correctamente.	Verifique la instalación de los tubos
	El regulador no está instalado adecuadamente o no ha sido instalado.	Verifique la instalación del regulador.
	El regulador no está instalado.	Instalar el regulador le ayudará a eliminar el reflujó de aire.

## CLÁUSULA DE EXENCIÓN

1. **INSPECCIONE CUIDADOSAMENTE TODOS LOS ARTÍCULOS VERIFICANDO QUE NO EXISTAN DAÑOS ANTES DE ACEPTAR LA ENTREGA. ANOTE CUALQUIER DAÑO EN LA FACTURA DE TRANSPORTE O EN EL RECIBO. PIDA EL NOMBRE Y FIRMA DEL AGENTE DE TRANSPORTE Y CONSERVE UNA COPIA PARA RESPALDAR SU RECLAMO.**

Al momento de aceptar los artículos, el propietario asume la responsabilidad de que lleguen de manera segura. Reporte los daños al transportista y presente un reclamo inmediatamente. El no hacerlo podría resultar en un rechazo de su reclamo. El transportista le entregará los formularios necesarios para presentar un reclamo.

**LOS DAÑOS CAUSADOS DURANTE EL TRANSPORTE NO SE ENCUENTRAN CUBIERTOS BAJO NUESTRA GARANTÍA.**

2. **POR FAVOR, ¡INSPECCIONE LOS CONTENIDOS DEL PAQUETE(S) CUIDADOSAMENTE AL RECIBIRLOS!**

Se nos deberá notificar por escrito sobre cualquier daño y/o piezas faltantes dentro del periodo de días establecidos luego de haber recibido su paquete(s). Contacte a su distribuidor o concesionario KOBE o llame a KOBE para obtener información sobre el límite de tiempo.

**LOS RECLAMOS NO SERÁN ACEPTADOS DESPUÉS DEL PERIODO DE DÍAS ESTABLECIDOS.**

NOTA: LOS ARTÍCULOS FUERON SOMETIDOS A PRUEBAS Y EMPACADOS CUIDADOSAMENTE EN NUESTRA FABRICA ANTES DE SU ENVÍO.

3. Los productos deberán ser devueltos en buen funcionamiento con TODAS las piezas y documentación originales empacados en TODAS los cartones, rellenos y cajas de envío originales. Se cobrará una tarifa por reposición de existencias del 25% para todas las devoluciones aprobadas.

**LOS CAMBIOS O DEVOLUCIONES PODRÍAN NO ACEPTARSE SI FALTARA ALGÚN MATERIAL DE EMPAQUE.**

4. **ASEGÚRESE DE INSPECCIONAR LA CAMPANA VERIFICANDO QUE NO EXISTAN DAÑOS O DEFECTOS ANTES DE INSTALARLA.** Las imperfecciones en la apariencia de la campana que se encuentren después de que ésta haya sido instalada y que no afecten el rendimiento de la misma, no se encuentran cubiertas bajo nuestra garantía sobre devoluciones o cambios. Las visitas de servicio que no se encuentran cubiertas bajo la garantía incurrirán un cargo por servicio.

A) Antes de la Instalación: Envíe de vuelta para cambio o reembolso (por favor consultar lo anterior para averiguar sobre las devoluciones aceptadas).

B) Después de la Instalación: **NO** habrá ningún cambio ni reembolso.

## CERTIFICADO DE GARANTÍA

KOBE Range Hoods, Inc. garantiza que todos los productos fabricados o proporcionados por la compañía se encontrarán libres de defectos en cuanto a mano de obra y materiales. Sus obligaciones según esta garantía se encuentran limitadas a un periodo de dos años a partir de la fecha de compra y a reparar o reemplazar a su elección y sujeto a los términos y condiciones establecidas a continuación, cualquier pieza, que luego de ser examinada demuestre que estaba defectuosa.

### PERIODO DE SERVICIO DE LA GARANTÍA DE DOS AÑOS

Cualquier avería cubierta que ocurra dentro de un periodo de dos años a partir de la fecha de compra original que surja a causa de mano de obra o material defectuoso de fábrica será reparada (o reemplazada a nuestra discreción) sin costo alguno por parte de un Agente autorizado de KOBE Range Hoods o KOBE Range Hoods según corresponda. Tenga a la mano un comprobante de compra (o la factura original) para su verificación.

Si la campana de extracción ha sido vendida por el comprador original durante el periodo de garantía, el nuevo propietario estará protegido hasta que la garantía del comprador original se venza.

### CONDICIONES

Las siguientes condiciones aplican solamente en relación a la garantía otorgada explícitamente por este certificado.

- 1) Esta garantía aplica solamente:
  - a) dentro de EE.UU. y Canadá.
  - b) a las campanas de extracción de USO UNIFAMILIAR PRIVADO (si han sido utilizadas COMERCIALMENTE o USO MULTIFAMILIAR u otros propósitos, la garantía se anulará).
- 2) La reparación de cualquier avería a proporcionarse bajo esta garantía no se proporcionará:
  - a) si el número de identificación colocado en la campana de extracción ha sido alterado, se considera ilegible o ha sido removido;
  - b) si no se ha presentado una notificación del defecto dentro del periodo de tiempo correspondiente;
  - c) fallo de los focos de la luz o lámparas de calor;
  - d) por daños físicos;
  - e) por superficies dañadas por la utilización de agentes de limpieza químicos no adecuados;
  - f) si el aparato ha:
    - i) estado sujeto a uso inadecuado, abuso, negligencia, accidentes, instalación incorrecta o el no seguir las instrucciones de operación;
    - ii) sido conectado a fuentes eléctricas, conductos de extracción, tubos o cubierta de conductos inadecuados, incorrectos o defectuosos, u operado utilizando lubricantes contaminados o incorrectos;
    - iii) sido instalado, mantenido u operado de manera distinta a lo que se ha estipulado en las instrucciones proporcionadas por KOBE Range Hoods incluyendo el uso inadecuado de detergentes, blanqueadores o limpiadores.
  - g) por daños causados a la campana de extracción durante su transporte, entrega, instalación o al quitarla;
  - h) por daños causados por o que resulten de reparaciones conducidas por cualquier otra persona que no sea nuestro Agente de Servicio Autorizado.
  - i) ruido o vibración causada por una instalación incorrecta de la campana de extracción y/o el regulador.

- 3) El comprador será el responsable de cualquier gasto relacionado por hacer que la campana de extracción se encuentre disponible para que se le dé servicio y en caso que la campana de extracción se encuentre instalada fuera del territorio de venta principal del minorista o el territorio de servicio del Agente autorizado de KOBE Range Hoods más cercano según corresponda, así como de cualquier gasto de viaje y cualquier costo de transporte de la campana de extracción y piezas desde y hacia el concesionario y Agente de Servicio.
- 4) El comprador deberá proporcionar un comprobante de compra junto con este certificado de garantía al presentar un reclamo.
- 5) Los daños causados durante el envío no se encuentran cubiertos bajo nuestra garantía.

### **DAÑOS EMERGENTES**

El garante no se hace responsable por ningún daño emergente. ALGUNOS ESTADOS NO PERMITEN LA EXCLUSIÓN DE DAÑOS EMERGENTES ASÍ QUE LA EXCLUSIÓN ANTERIOR PODRÍA NO CORRESPONDERLE.

### **GARANTÍAS IMPLÍCITAS/LEY ESTATAL**

Cualquier garantía implícita, incluyendo la garantía implícita de comerciabilidad y adecuación al objetivo, impuestas al momento de la venta por las leyes del estado de venta se encuentran limitadas a dos años a partir de la fecha original de compra. Algunos estados no permiten límites en cuanto a la duración de las garantías implícitas. Esta garantía le otorga derechos legales específicos y podría también incluir derechos que varían de estado en estado.

### **SERVICIO**

Para servicio contacte a:

KOBE Range Hoods  
10505 Valley Blvd, Suite 302  
El Monte, CA 91731, U.S.A.  
U.S.A  
Tel: (626) 350-1355 Fax: (626) 350-1976  
Correo electrónico: [customer.service@KOBERangeHoods.com](mailto:customer.service@KOBERangeHoods.com)  
Sitio de Internet: [www.KOBERangeHoods.com](http://www.KOBERangeHoods.com)

## REGISTRO DEL PRODUCTO

### ¡Registre su Producto!

Cualquier avería cubierta que ocurra dentro de un periodo de dos años a partir de la fecha de compra original que surja a causa de mano de obra o material defectuoso de fábrica será reparada, o a nuestra discreción, la unidad será reemplazada sin costo alguno por parte de un Agente autorizado de KOBE Range Hoods o KOBE Range Hoods según corresponda. Tenga a la mano un comprobante de compra (factura original) para su verificación.

Si la campana de extracción ha sido vendida por el comprador original durante el periodo de garantía, el nuevo propietario estará protegido hasta que la garantía del comprador original se venza. Consulte la sección de la garantía para obtener la información completa sobre la cobertura de la garantía.

Este aparato ha sido fabricado, sometido a pruebas e inspeccionado según los estándares requeridos por KOBE Range Hoods.

### **POR FAVOR, ENVÍE POR CORREO SU TARJETA DE REGISTRO DE GARANTÍA Y EL COMPROBANTE DE COMPRA A:**

KOBE Range Hoods  
10505 Valley Blvd, Suite 302  
El Monte, CA 91731, U.S.A.

### **ESCRIBA LA SIGUIENTE INFORMACIÓN PARA SUS ARCHIVOS:**

Modelo No. \_\_\_\_\_

No. de Serie \_\_\_\_\_

Fecha de Compra                    \_\_\_\_ / \_\_\_\_ / \_\_

Comprado En:

\_\_\_\_\_  
\_\_\_\_\_

**IMPORTANTE: POR FAVOR, TENGA A LA MANO UNA COPIA DE SU RECIBO DE VENTA O FACTURA AL SOLICITAR SERVICIO.**

**KOBE**<sup>®</sup>

KOBE Range Hoods  
10505 Valley Blvd Suite # 302  
El Monte, CA 91731 USA

<http://www.KOBERangeHoods.com>

Esta campana de extracción KOBE ha sido fabricada para ser utilizada únicamente en EE.UU. y CANADÁ. No recomendamos la utilización de esta campana en el extranjero debido a que la fuente de energía podría no ser compatible y podría violar el código eléctrico de dicho país. **Utilizar una campana KOBE en el extranjero será a su propio riesgo y anulará la garantía.**

VER.080115



## Free Manuals Download Website

<http://myh66.com>

<http://usermanuals.us>

<http://www.somanuals.com>

<http://www.4manuals.cc>

<http://www.manual-lib.com>

<http://www.404manual.com>

<http://www.luxmanual.com>

<http://aubethermostatmanual.com>

Golf course search by state

<http://golfingnear.com>

Email search by domain

<http://emailbydomain.com>

Auto manuals search

<http://auto.somanuals.com>

TV manuals search

<http://tv.somanuals.com>