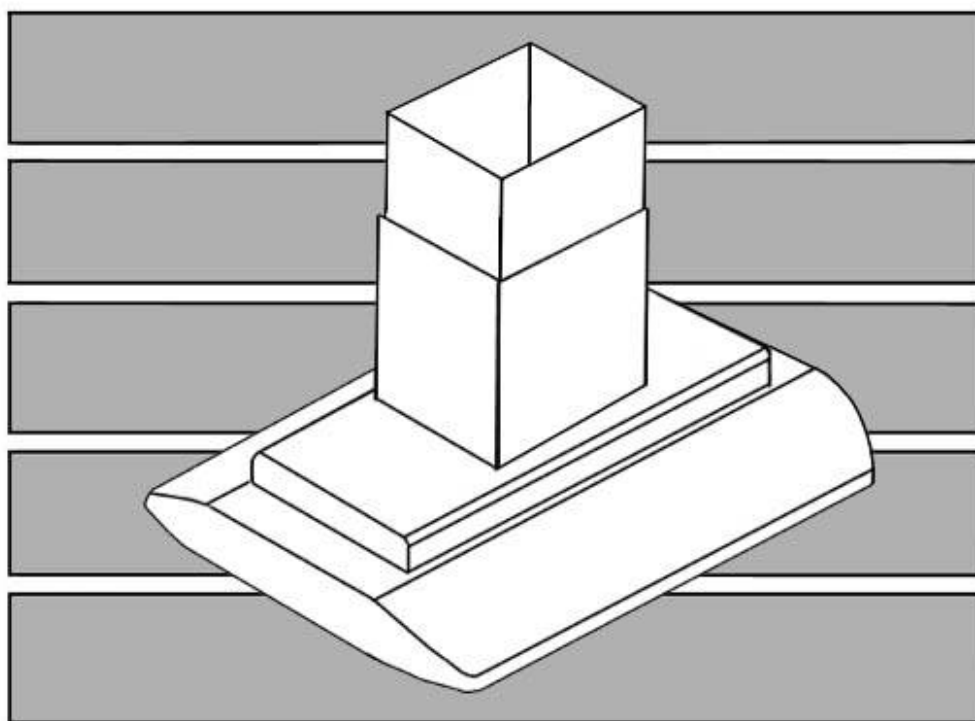


# **KOBE**® **KOBE Brand Range Hood**

**Model No. IS2336SQ  
IS2342SQ**

## **IS-123 SERIES – 7” HEIGHT**



## **INSTALLATION INSTRUCTIONS AND OPERATION MANUAL**

- READ AND SAVE THESE INSTRUCTIONS -

## CONTENTS

Important Safety Instructions.....	1
Components of Package.....	3
Installation.....	4
Operating Instructions.....	8
Maintenance.....	9
Specifications.....	11
Measurements & Diagrams.....	12
Parts List.....	14
Circuit Diagram.....	17
Disclaimer.....	18
Warranty.....	19
Product Registration.....	21

- READ ALL INSTRUCTIONS CAREFULLY BEFORE STARTING -

ALL WIRING MUST BE DONE BY A PROFESSIONAL AND IN ACCORDANCE WITH NATIONAL AND LOCAL ELECTRICAL CODES.



## IMPORTANT SAFETY INSTRUCTIONS

### - PLEASE READ THIS SECTION CAREFULLY BEFORE INSTALLATION -

**WARNING** – TO REDUCE THE RISK OF FIRE, ELECTRIC SHOCK OR PERSONAL INJURY, OBSERVE THE FOLLOWING:

- 1) Installation and electrical wiring must be done by qualified professionals and in accordance with all applicable codes and standards, including fire-rated construction.
- 2) When cutting or drilling into wall or ceiling, be careful not to damage electrical wiring or other hidden utilities.
- 3) Ducted fans must be vented to the outside.
  - a) Before servicing or cleaning unit, open the light panel and SWITCH POWER OFF AT SERVICE PANEL.
  - b) Clean fan, optional filter and grease laden surfaces frequently. To reduce the risk of fire and to disperse air properly, make sure to vent air outside. DO NOT vent exhaust air into wall spaces, attics, crawl spaces or garages.

**NOTE** - This warranty is invalid without an authorized agent's receipt or if unit is damaged due to misuse, poor installation, improper use, mistreatment, negligence or any other circumstances beyond the control of KOBE RANGE HOODS authorized agents. Any repair carried out without the supervision of KOBE RANGE HOODS authorized agents will automatically void the warranty.

- KOBE RANGE HOODS will not be held responsible for any damages to personal property or real estate or any bodily injuries whether caused directly or indirectly by the range hood.

**WARNING** – TO REDUCE THE RISK OF PERSONAL INJURY IN THE EVENT OF A RANGE TOP GREASE FIRE:

- Keep fan, filter, if any, and grease-laden surfaces clean.
- Always turn hood ON when cooking at high heat.
- Use high settings on cooking range ONLY when necessary. Heat the oil slowly on low to medium setting.
- Do not leave cooking range unattended when cooking.
- Always use cookware and utensils appropriate for the type and amount of food prepared.
- Use this unit only in the manner intended by the manufacturer.
- Before servicing, switch power off at service panel and lock service panel (if possible) to prevent power from switching on accidentally.
- Clean ventilating fans frequently. Grease should not be allowed to accumulate on fan, filter, and oil containers.

## What to Do In The Event Of a Range Top Grease Fire

- SMOTHER FLAMES with a close fitting lid, cookie sheet, or metal tray, and then turn off the burner. KEEP FLAMMABLE OR COMBUSTIBLE MATERIAL AWAY FROM FLAMES. If the flames do not go out immediately, EVACUATE THE AREA AND CALL THE FIRE DEPARTMENT or 911.
- NEVER PICK UP A BURNING PAN – You may get burned.
- DO NOT USE WATER, including wet dishcloths or towels – a violent steam blast will result.
- Use an extinguisher ONLY if:
  - a) You have a Class A, B, C extinguisher and know how to operate it.
  - b) The fire is small and contained in the area where it started.
  - c) The fire department has been called.
  - d) You can fight the fire with your back to an exit.

## What to Do If You Smell Gas

- Extinguish any open flame.
- Do not try to turn on the lights or any type of appliance.
- Open all doors and windows to disperse the gas. If you still smell gas, call the Gas Company and Fire Department right away.

### **CAUTION**

- 1) For general ventilation use only. Do not use to exhaust hazardous or explosive materials and vapors.
- 2) To reduce the risk of fire, use only metal ductwork.
- 3) Follow the heating equipment manufacturer's guideline and safety standards such as those published by the National Fire Protection Association (NFPA), and the American Society for Heating, Refrigeration and Air Conditioning Engineers (ASHRAE), and code authorities.
- 4) Activating any switch may cause ignition or an explosion.

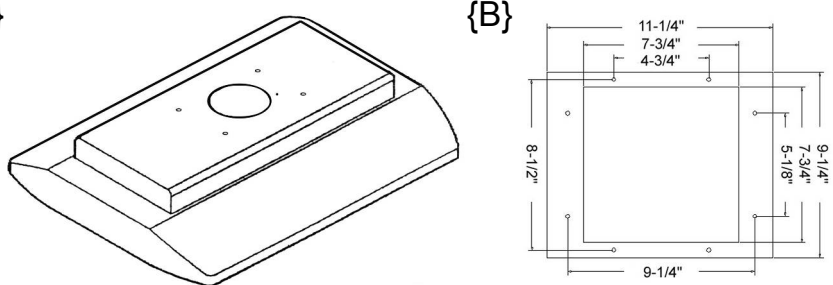
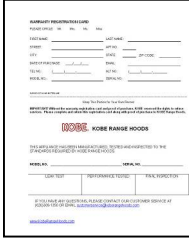
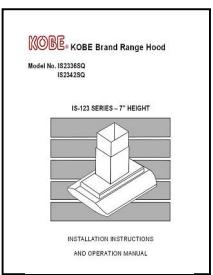
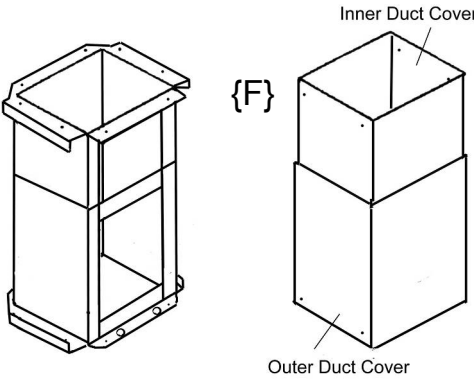
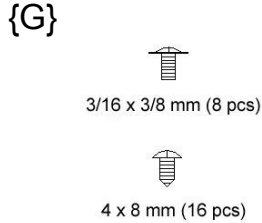
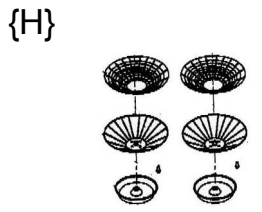
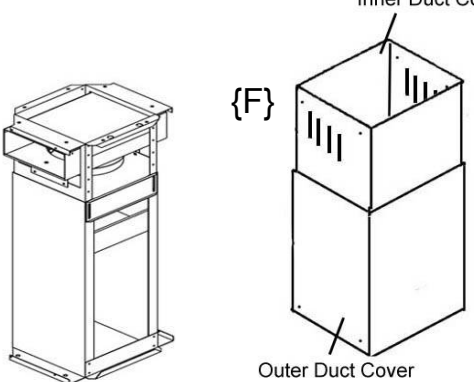
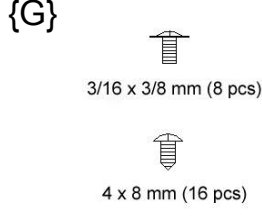
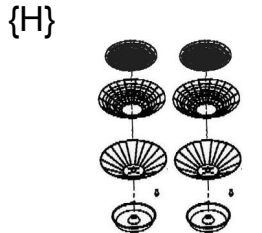
### **WARNING**



**ELECTRICAL SHOCK HAZARD** – Can result in serious injury or death. Disconnect appliance from electric power before servicing. If equipped, the fluorescent light bulb contains small amounts of mercury, which must be recycled or disposed of according to Local, State, and Federal Codes.

# COMPONENTS OF PACKAGE

(Must keep all material for returns or refunds)

<p><b>BOX 1:</b>          {A} KOBE Range Hood          {B} Mounting Template          {C} Warranty Registration Card          {D} Instructions Manual</p>	  
<p><b>ORIGINAL KIT</b>  <b>BOX 2 (SOLD SEPARATELY):</b>          {E} Telescopic Stack          {F} Two-Piece Duct Cover          {G} Screws Package          {H} Filter Set          (Model No. IS123F)          - Mesh Filter x 2          - Safety Screen x 2          - Oil Container (Round) x 2          - Screw x 2</p>	  
<p><b>RECIRCULATING KIT</b>  <b>BOX 2 (SOLD SEPARATELY):</b>          {E} Telescopic Stack          {F} Two-Piece Duct Cover          {G} Screws Package          {H} Charcoal Filter Set          (Model No. RH-CH01)          - Charcoal Filter x 2          - Mesh Filter x 2          - Safety Screen x 2          - Oil Container (Round) x 2          - Screw x 2</p>	  

## INSTALLATION

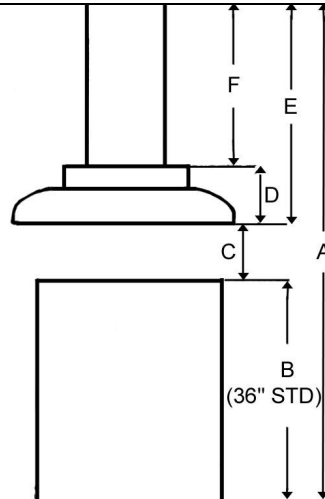
PLEASE READ ENTIRE INSTRUCTIONS BEFORE PROCEEDING

### Calculation before Installations

To calculate the length of the installation, please refer to Table 1. (All calculation is measure in inches.)

**TABLE 1**

A = Height of Floor to Ceiling
B = Height of Floor to Counter Top (Standard: 36")
<b>C = Preferred Height of Counter Top to Hood Bottom (Recommended 30" to 36")</b>
D = Height of Hood
E = Height of the Hood Installation [A - (B+C)]
F = Height of Duct Cover [E - D]



### **▲ SAFETY WARNING**

HOOD MAY HAVE VERY SHARP EDGES; PLEASE WEAR PROTECTIVE GLOVES IF IT IS NECESSARY TO REMOVE ANY PARTS FOR INSTALLING, CLEANING OR SERVICING.

### Preparations of Ductwork and Location

NOTE: TO AVOID DAMAGE TO YOUR HOOD, PREVENT DEBRIS FROM ENTERING THE VENT OPENING.

- Decide the location of the venting pipe from the hood to the outside. Refer to Figure 1.
- A straight, short venting run will allow the hood to perform more efficiently.
- Try to avoid as many transitions, elbows, and long run as possible. This may reduce the performance of the hood.
- Use duct tape to seal the joints between pipe sections.

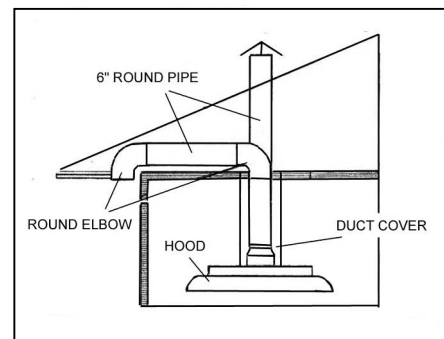


Figure 1

## Telescopic Stack Installation

Note: Duct cover with telescopic stack sold separately.

1. Mark centerlines of cook top or range on ceiling above. Use centerlines marked on ceiling to position the mounting template as shown in Figure 2.
2. Remove and save template. Cut and remove ceiling drywall. Install 2" x 4" cross framing lumber (not provided) between ceiling joists. Refer to Figure 3. Consult a professional if you have difficulty or your installation is unique.
3. Finish the ceiling surface. Be sure to mark the location of the ceiling joists and cross framing, or replace the mounting template in the position of the ceiling joists & cross framing.
4. Attach the telescopic stack to the ceiling and securely fasten to the joists and cross framing with eight screws (not provided) as shown in Figure 3. Make sure screws are driven into center of joists and cross framing for maximum support.
5. Adjust the telescopic stack using reference **F** calculated in Table 1 and measurements on page 12. Tighten from the side with eight (4x8 mm) screws (provided) as shown in Figure 4.

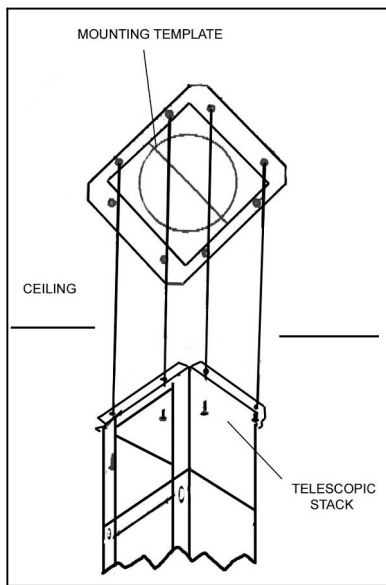


Figure 2

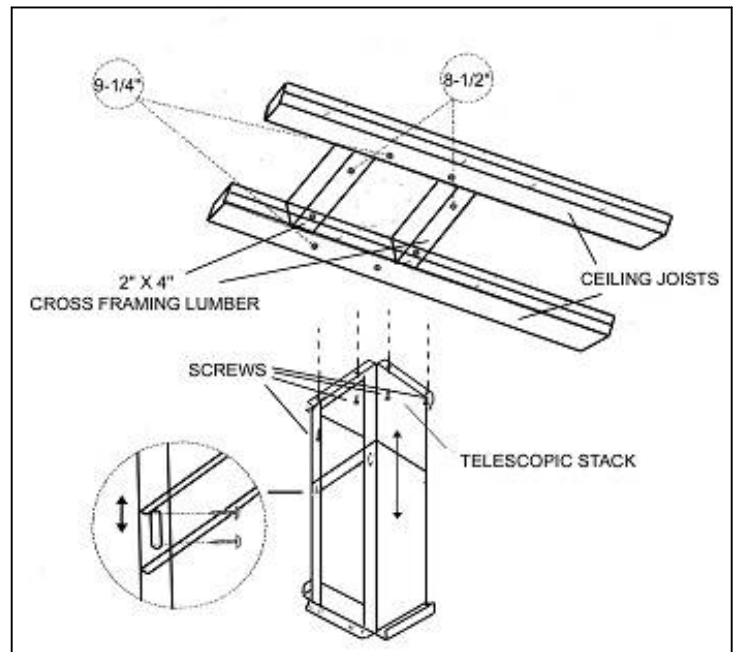


Figure 3

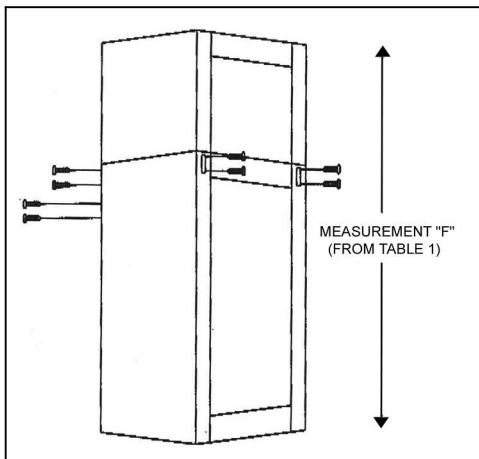


Figure 4

## Duct Cover Installation

- Slide the duct cover up and secure the inner duct cover to the telescopic stack with four (4x8 mm) screws (provided). Refer to Figure 5.

## Hood Installation

- Place temporary screws to hold the duct cover up. Install the hood as shown in Figure 6.
- Use eight (3/16x3/8 mm) screws (provided) to secure hood to telescopic stack. Make sure to tighten screws securely. Refer to Figure 6.

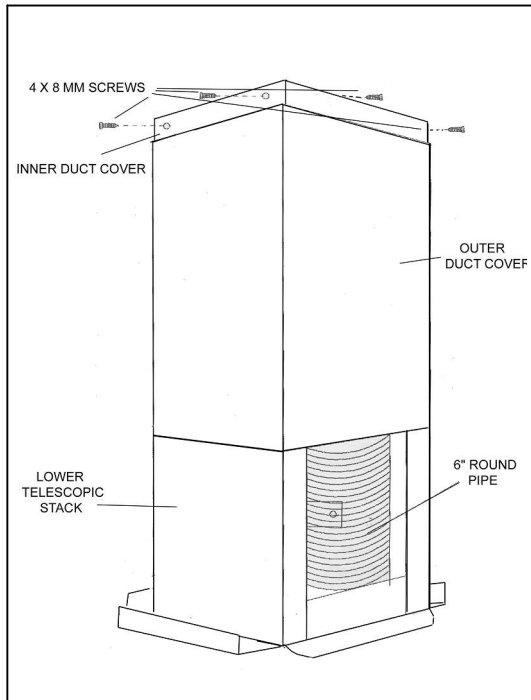


Figure 5

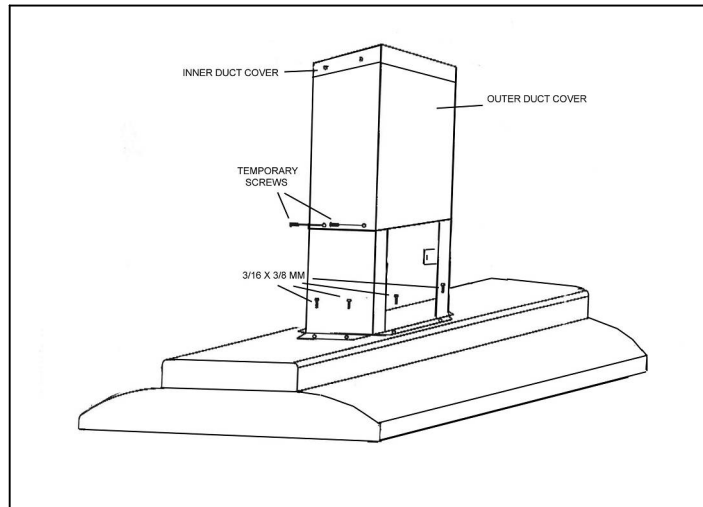


Figure 6

## Wiring to Power Supply

### **⚠ SAFETY WARNING**

RISK OF ELECTRICAL SHOCK. THIS RANGE HOOD MUST BE PROPERLY GROUNDED. MAKE SURE THIS IS DONE BY SPECIALIZED ELECTRICIAN IN ACCORDANCE WITH ALL APPLICABLE NATIONAL AND LOCAL ELECTRICAL CODES. BEFORE CONNECTING WIRES, SWITCH POWER OFF AT SERVICE PANEL AND LOCK SERVICE PANEL TO PREVENT POWER FROM BEING SWITCHED ON ACCIDENTALLY.

- Remove the wiring box cover as shown in Figure 7. Remove the knockout from the wiring box.
- Connect three wires (black, white and green) to house wires and cap with wire connectors
- Connect according to color. Black to black, white to white, and green to green.
- Close the wiring box cover and make sure that wires are not pinched between cover and box.
- Test the operation of the hood before moving on to next step. Make sure power is supplied to the hood.



## Ductwork Installation

Note: Skip this step if installing recirculating kit.

14. Use 6" round pipe to connect the plastic exhaust on the hood to the ductwork above.
15. Use duct tape to make all joints secure and air tight.

## Final Assembly

16. Remove the temporary screws and slide the outer duct cover downward so that it sits properly on the hood.
17. NOTE: Be careful when using electrical screwdriver, damage to the hood may occur. Secure the duct cover to hood with four (4x8 mm) screws (provided) as shown in Figure 8.
18. Turn power ON in control panel. Check all lights and fan operation.
19. Make sure to leave this manual for the homeowner.

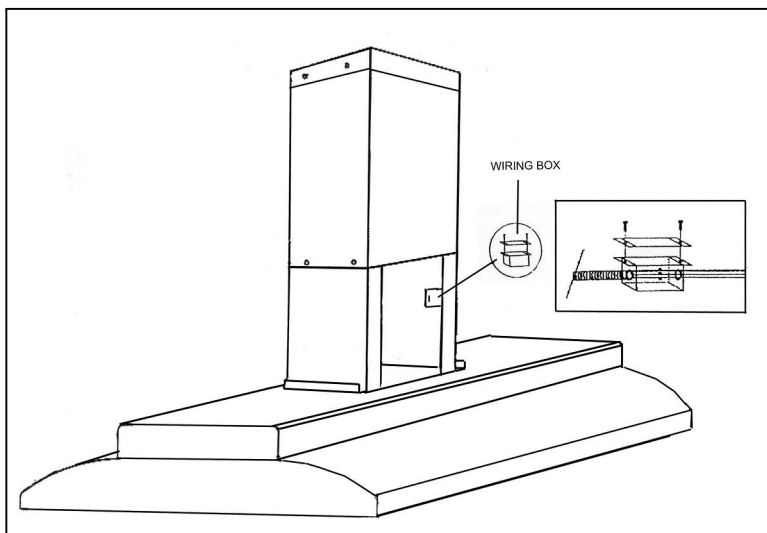


Figure 7

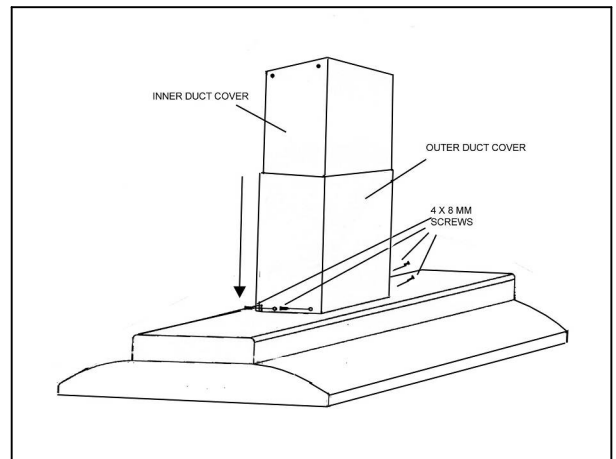


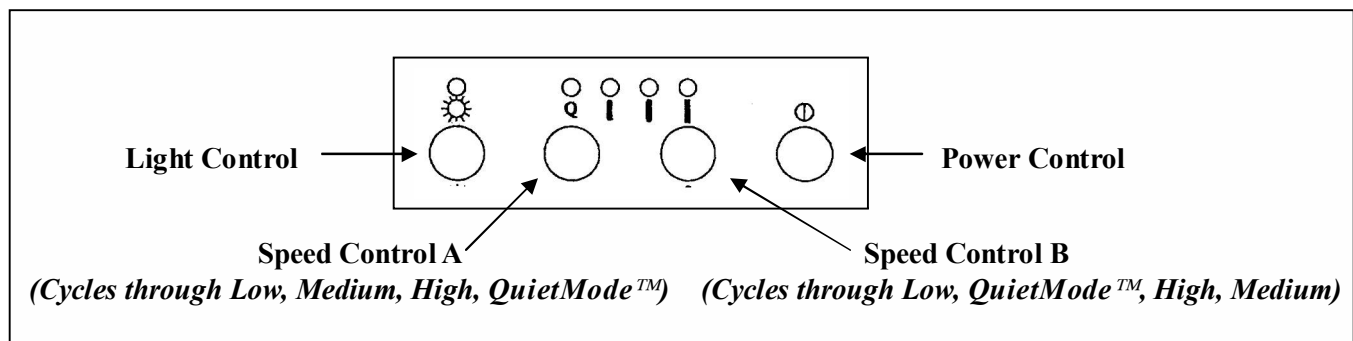
Figure 8

## OPERATING INSTRUCTION

This KOBE hood is equipped with four electronic controls with a 10-second standby startup & 30-second delay shutoff, two powerful centrifugal turbine impellers, and four bright 12-volt 20-watt halogen lights.

The four control buttons are Light Control, Speed Control A (cycles through Low, Medium, High, QuietMode™), Speed Control B (cycles through Low, QuietMode™, High, Medium) and the Power Control (On/Off). Refer to Figure 9.

Figure 9



### Turn On:

- Press Power Control (On/Off) button once. (If any Control button is not pressed within 10 seconds, power will be automatically turned off).
- The KOBE hood will start on Low speed. Each press of the Speed Control button will cycle through the various speeds.
- Press Speed Control A button to cycle from Low, Medium, High, or QuietMode™. Press Speed Control B button to cycle from Low, QuietMode™, High or Medium.
- Press Light Control button to turn halogen light on.

### Turn Off:

- Press Power Control (On/Off) button once, panel lights will flash and power will be completely shut off after 30 seconds.
- OR
- Press Power Control (On/Off) button twice, all power will be shut off immediately.
  - If only the lights are on, pressing Power Control (On/Off) button once will turn power off after 30 seconds.

## MAINTENANCE

CAUTION: NEVER PUT YOUR HAND INTO THE AREA HOUSING THE FAN WHILE THE FAN IS OPERATING.

For the optimal level of operation, clean the range hood surface, filter set, and oil containers regularly.

### To Clean Hood Surface

CAUTION: NEVER USE ABRASIVE CLEANERS, PADS, OR CLOTHS.

\*\*\* Regular care will help preserve its fine appearance.

- 1) Use only mild soap or detergent solutions. Dry surfaces using soft cloth.
- 2) If hood looks splotchy (stainless steel hood), use an orange base cleaner to clean the surface of the hood. Avoid getting cleaning solution on the control switches. Only spread a light coating over the surface of the hood and leave on for a few minutes (do not leave on too long or this may cause damage to hood finish). Use soft towel to wipe off the cleaning solution, gently rub off any stubborn spots. Use a slightly damp towel to get rid of any cleaning solution. Use dry soft towel to dry the hood.
- 3) To bring the glow back into a stainless steel finish, use a stainless steel cleaner.
- 4) DO NOT allow deposits to remain for long periods of time.
- 5) DO NOT use ordinary steel wool or steel brushes. Small bits of steel may adhere to the surface and cause rust.
- 6) DO NOT allow salt solutions, disinfectants, bleaches, or cleaning compounds to remain in contact with stainless steel for extended periods. Many of these compounds contain chemicals, which may be harmful. Rinse with water after exposure and dry with a clean cloth.

### To Clean Filter Sets and Oil Containers

CAUTION: DRAIN OIL CONTAINER BEFORE OIL CAN OVERFLOW.

- 1) Normal Cleaning
  - Spray a mild degreaser into the fan and turn on high speed. Liquid residue will accumulate in the oil containers (round).
- 2) Cleaning Oil Containers
  - Remove the oil container by turning counter-clockwise.
  - Wash with warm soapy water. Dry completely before returning into place.
  - *Top rack dishwasher safe.*
- 3) Cleaning Filter Set or Charcoal Filter Set
  - Remove the safety screen screw and slide the filter set or charcoal filter set out.
  - Remove oil container by turning counter-clockwise.
  - Wash with warm soapy water.
  - Dry completely before returning into place.
  - *Top rack dishwasher safe.*

## To Replace Light Bulb

**CAUTION: HALOGEN LIGHT UNIT MAY BE HOT! WAIT UNTIL UNIT IS COOL.**

- 1) Make sure all control switches are off, and range hood is unplugged.
- 2) Use a flat head screwdriver to pop out the protective covering as shown in Figure 10.
- 3) Gently pull out the defective light bulb and discard. Light bulb should be 12V 20W maximum. Refer to Figure 11. Push bulb securely into light socket.
- 4) Replace protective cover.
- 5) Plug in range hood.

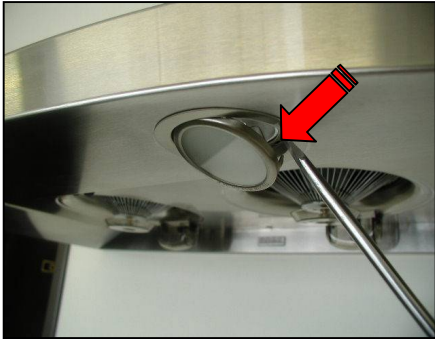


Figure 10



Figure 11

## SPECIFICATIONS

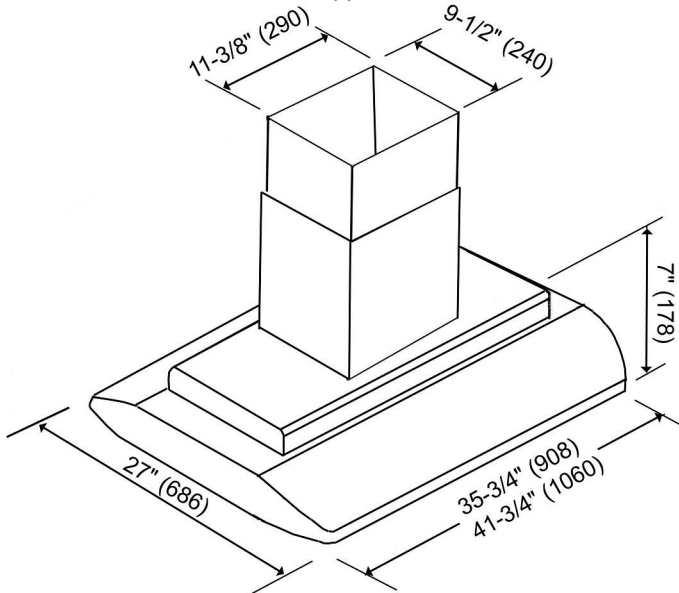
MODEL / SIZE	IS2336SQ / 36" IS2342SQ / 42"			
COLOR	#304 Commercial Grade Stainless Steel			
VOLTAGE	120V 60Hz			
NUMBER OF MOTORS	2			
DESIGN	18-Gauge Seamless			
FAN TYPE	Twin Turbine Impeller			
EXHAUST	6" Round			
CONTROLS	Electronic Control (4 Buttons) – 10-Second Standby Startup 30-Second Delay Shutoff			
HALOGEN LIGHTS	12V 20W x 4			
HOOD	(IS2336SQ) 35-3/4" x 27" x 7"			
DIMENSION (W x D x H)	(IS2342SQ) 41-3/4" x 27" x 7"			
TELESCOPIC STACK	Two-Piece Adjustable Telescopic Stack			
DIMENSION (W x D x H)	1) Original Kit (Sold Separately): (IS123DC) 11-1/8" x 9-1/8" x (22-5/8"~36-3/8") (IS123-16DC) 11-1/8" x 9-1/8" x (16") (IS123-59DC) 11-1/8" x 9-1/8" x (33-5/8"~58-1/2") 2) Recirculating Kit (Sold Separately): (IS123DCD) 11-1/8" x 9-1/8" x (22-5/8"~36-3/8") (IS123-16DCD) 11-1/8" x 9-1/8" x (16") (IS123-59DCD) 11-1/8" x 9-1/8" x (33-5/8"~58-1/2")			
DUCT COVER	Two-Piece Adjustable Duct Cover			
DIMENSION (W x D x H)	1) Original Kit (Sold Separately): (IS123DC) 11-3/8" x 9-1/2" x (18-1/8"~37-3/8") (IS123-16DC) 11-3/8" x 9-1/2" x (9-1/4"~17-1/2") (IS123-59DC) 11-3/8" x 9-1/2" x (30-1/4"~59-1/4") 2) Recirculating Kit (Sold Separately): (IS123DCD) 11-3/8" x 9-1/2" x (18-1/8"~37-3/8") (IS123-16DCD) 11-3/8" x 9-1/2" x (9-1/4"~17-1/2") (IS123-59DCD) 11-3/8" x 9-1/2" x (30-1/4"~59-1/4")			
NET WEIGHT (lbs)		<u>IS2336SQ</u>	<u>IS2342SQ</u>	
GROSS WEIGHT (lbs)	Hood:	53.0	55.0	
	Hood:	73.0	77.0	
SPEED	QuietMode™	Low	Medium	High
Air Capacity (cfm)*				
(Original / Recirculating)		500 / 150	640 / 200	720 / 330
				800 / 400
Sone (Original / Recirculating)		1.0* / 1.0*	3.0 / 3.0	4.5 / 4.5
				4.8 / 4.8

\*In House Test Static Pressure "0". One sone is equivalent to the sound of a refrigerator at 40 decibels.

\*\*Specifications subject to change without notice.

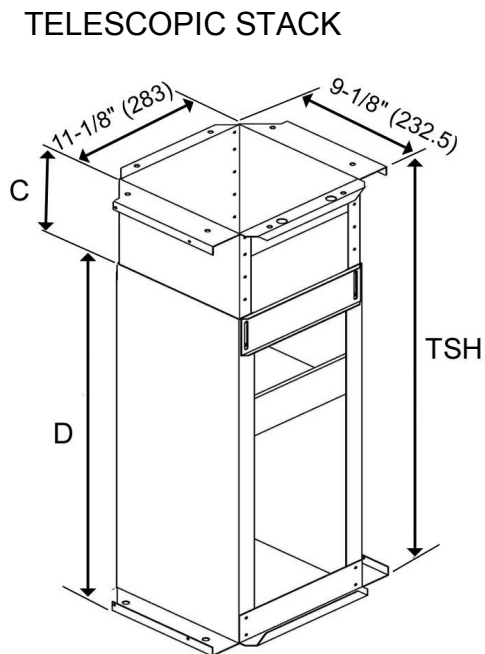
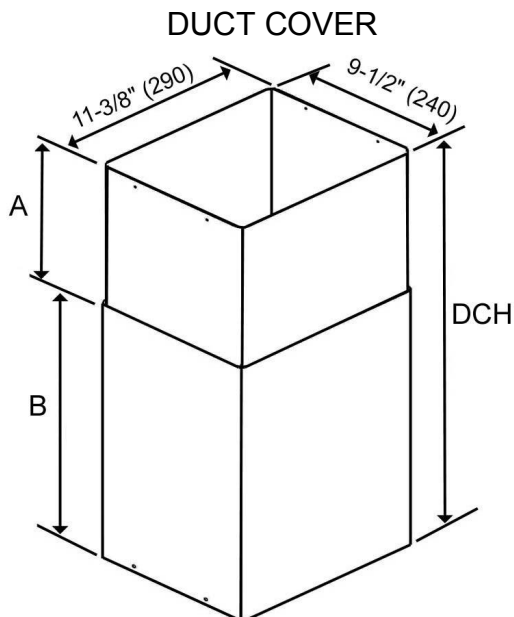
## MEASUREMENTS & DIAGRAMS

\*\*\*All inch measurements are converted from millimeters. Inch measurements are estimated.  
 \*\*\*All measurements in ( ) are millimeters.



ORIGINAL KIT (Sold Separately)

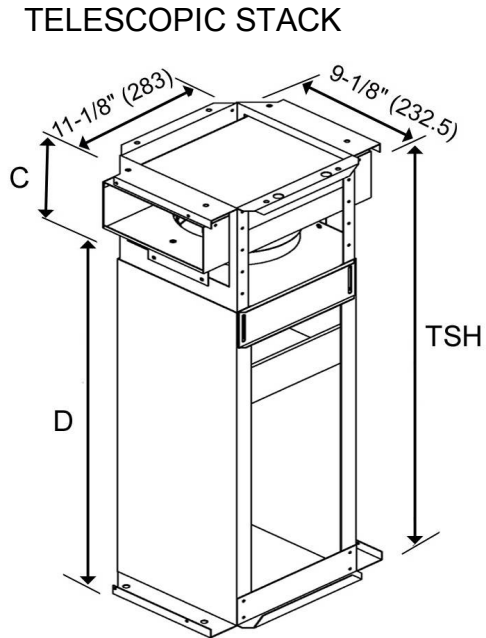
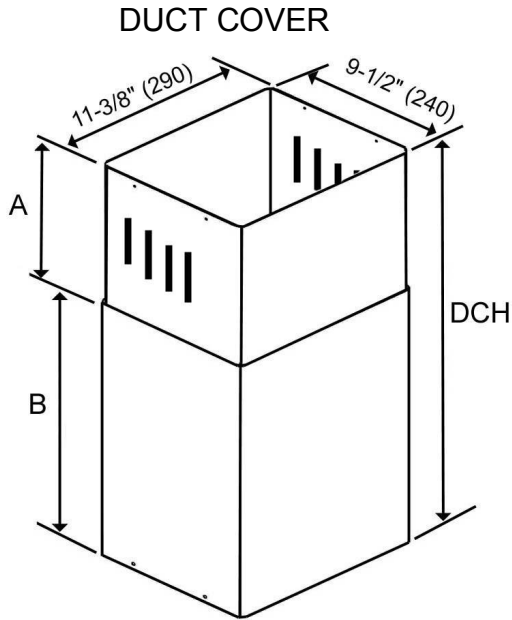
MODEL NO.	A	B	DCH	C	D	TSH	MAX. HT. INTSALLED
IS123DC	18-1/8" (460)	19-1/4" (490)	37-3/8" (950)	14-5/8" (370)	22-5/8" (575)	37-1/4" (946)	36-3/8" (925)
IS123-16DC	9-1/4" (235)	8-1/4" (210)	17-1/2" (445)	-	-	16" (405)	16" (405)
IS123-59DC	30-1/4" (770)	29" (735)	59-1/4" (1505)	25-5/8" (650)	33-5/8" (854)	59-1/4" (1505)	58-1/2" (1485)



\*\*\*Inner duct cover is taller than outer duct cover.

RECIRCULATING KIT (Sold Separately)

MODEL NO.	A	B	DCH	C	D	TSH	MAX. HT. INTSALLED
IS123DCD	18-1/8" (460)	19-1/4" (490)	37-3/8" (950)	14-5/8" (370)	22-5/8" (575)	37-1/4" (946)	36-3/8" (925)
IS123-16DCD	9-1/4" (235)	8-1/4" (210)	17-1/2" (445)	-	-	16" (405)	16" (405)
IS123-59DCD	30-1/4" (770)	29" (735)	59-1/4" (1505)	25-5/8" (650)	33-5/8" (854)	59-1/4" (1505)	58-1/2" (1485)



\*\*\*Inner duct cover is taller than outer duct cover.

## PARTS LIST

MODEL NO.: IS2336SQ  
IS2342SQ

KEY NO.	DESCRIPTION	MODEL /SIZE	PART NO.
1	Power Cord		C1-0406-0120-01
2	6" Round Plastic Exhaust		C1-0505-0001
3	Round Head Screw (TS 4 x 6)		C1-0708-0006
4	Hood Roof		B101-1242-13
5	Hood Casing	IS2336SQ	B101-1236-02
		IS2342SQ	B101-1242-02
6	Transformer Bracket		C1-0202-1242
7	Transformer (Light)		C1-0402-0120-40
8	Transformer Bracket Screw (3/16" x 3/8")		C1-0707-0001
9	Halogen Light (12V 20W Max.)		C1-0403-0101
10	Transformer Support (Light)		C1-0201-1242
11	Screw (3/16" x 3/8")		C1-0707-0001
12	Capacitor		C1-0401-0120-01A
13	Round Head Screw (TS 4 x 6)		C1-0707-0001
14	Processor Board Box		C1-0501-0102
15	Processor Board		C1-0404-0401-B
16	Flat Head Screw (M 2 x 8)		C1-0704-0003
17	Air Chamber		
A	Air Chamber (Top)		C1-0102-1242
B	Air Chamber (Side)		C1-0101-1242
18	Motor (Left)		C1-0301-0120-07A
19	Motor (Right)		C1-0301-0120-08A
20	Turbine Impeller (Left)		C1-0251-0092-01
21	Turbine Impeller (Right)		C1-0251-0092-02
22	Oil Tunnel		C1-0502-0201
23	Bottom Casing	IS2336SQ	B101-1236-09
		IS2342SQ	B101-1242-09
24	Impeller Plastic Cover		C1-0251-0001
25	Motor Position Screw (3/16" x 5/8")		C1-0703-0001
26	Bottom Casing Screw (3/16" x 5/8")		C1-0704-0001
27	Transformer Screw (3/16" x 3/8")		C1-0707-0001
28	Control Board		C1-0404-0401-A
29	Control Unit		C1-0501-0101
30	Round Head Screw (TS 1/8" x 3/8")		C1-0708-0003
31	Transformer (Motor)		C1-0402-0120-40



MODEL NO.: IS123DC

ORIGINAL KIT (Sold Separately)

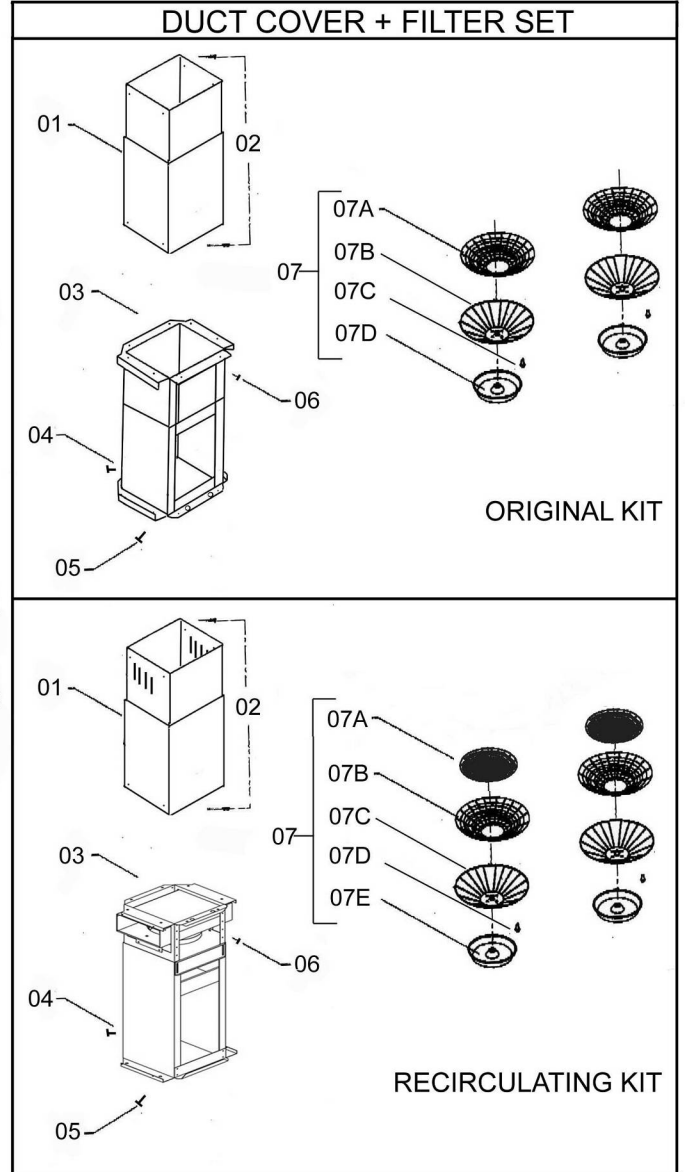
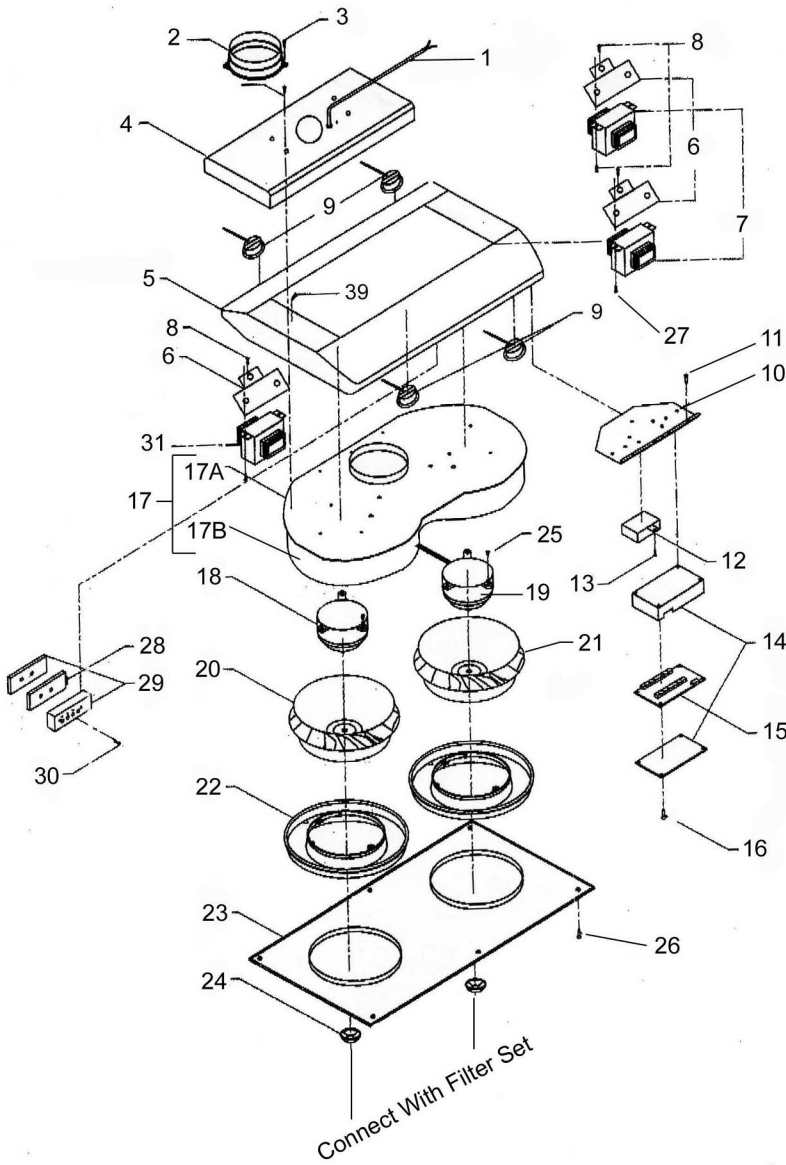
KEY NO.	DESCRIPTION	MODEL /SIZE	PART NO.
01	Duct Cover	IS123DC	12-04000-304-51
		IS123-16DC	12-04016-304-51
		IS123-59DC	12-04059-304-51
02	Round Head Screw (3/16" x 3/8")		C1-0707-0001
03	Telescopic Stack	IS123DC	C1-0203-1242-36
		IS123-16DC	C1-0203-1242-16
		IS123-59DC	C1-0203-1242-59
04	Round Head Screw (3/16" x 3/8")		C1-0708-0001
05	Duct Cover Screw (3 x 8 mm)		C1-0707-0001
06	Round Head Screw (TS 4 x 6)		C1-0101-0001
07	Filter Set	IS123F	
A	Mesh Filter	MF-0201	C1-0604-0201
B	Safety Screen		C1-0602-0202
C	Oil Container (Round)		C1-0503-0201
D	Safety Screen Screw		C1-0705-0001

MODEL NO.: IS123DCD

RECIRCULATING KIT (Sold Separately)

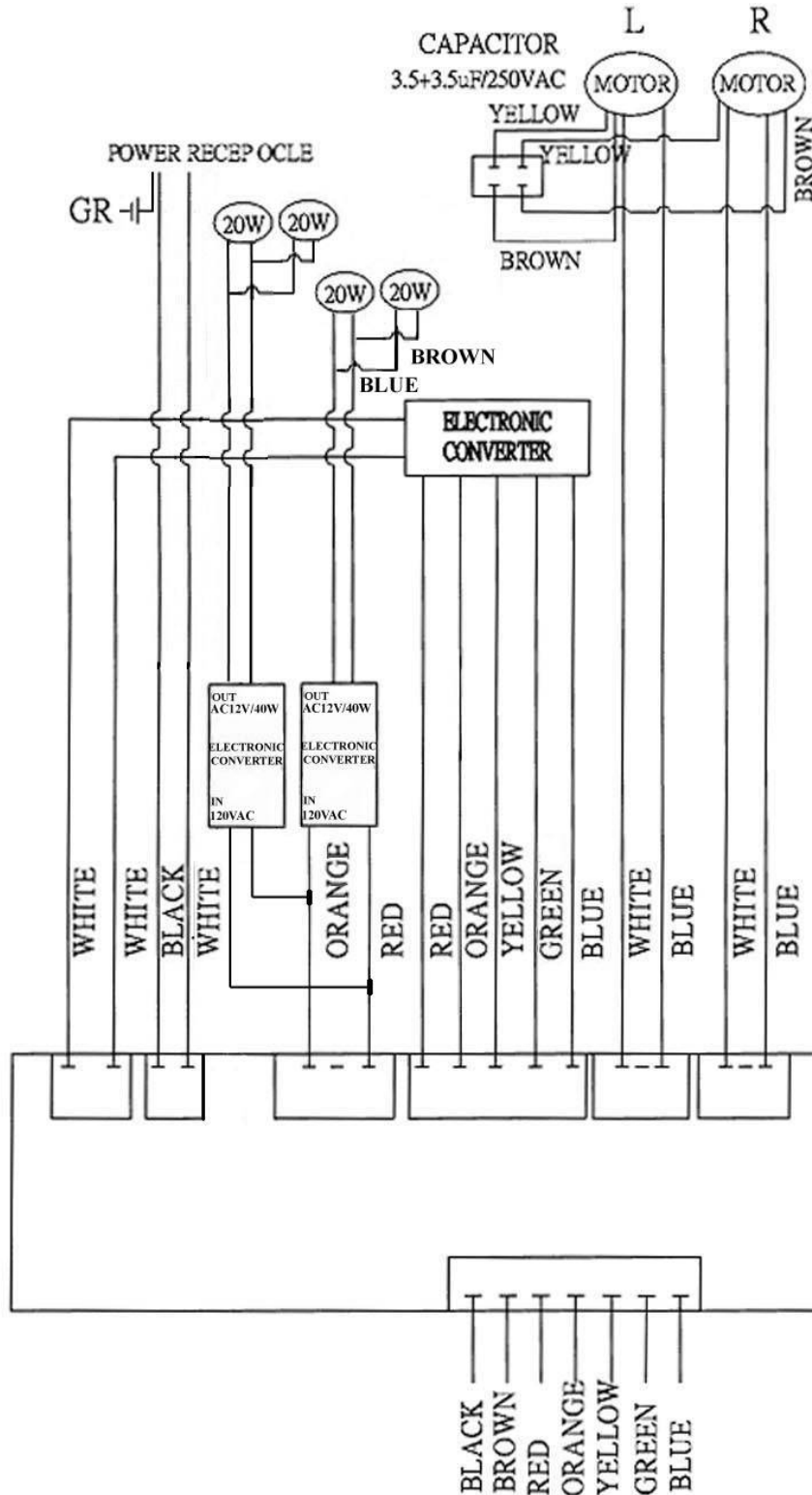
KEY NO.	DESCRIPTION	MODEL /SIZE	PART NO.
01	Duct Cover (Recirculating)	IS123DCD	12-04000-304-51F
		IS123-16DCD	12-04016-304-51F
		IS123-59DCD	12-04059-304-51F
02	Round Head Screw (3/16" x 3/8")		C1-0707-0001
03	Telescopic Stack	IS123DCD	C1-0203-1242F36
		IS123-16DCD	C1-0203-1242F16
		IS123-59DCD	C1-0203-1242F59
04	Round Head Screw (3/16" x 3/8")		C1-0708-0001
05	Duct Cover Screw (3 x 8 mm)		C1-0707-0001
06	Round Head Screw (TS 4 x 6)		C1-0101-0001
07	Charcoal Filter Set	RH-CF01	
A	Charcoal Filter		C1-0603-0302
B	Mesh Filter	MF-0201	C1-0604-0201
C	Safety Screen		C1-0602-0202
D	Oil Container (Round)		C1-0503-0201
E	Safety Screen Screw		C1-0705-0001

MODEL NO.: IS2336SQ  
IS2342SQ



# CIRCUIT DIAGRAM

MODEL NO.: IS2336SQ  
IS2342SQ



## DISCLAIMER

1. **CAREFULLY INSPECT ALL ITEMS FOR DAMAGES BEFORE ACCEPTING DELIVERY. NOTE ANY DAMAGES ON THE FREIGHT BILL OR EXPRESS RECEIPT. REQUEST NAME AND SIGNATURE OF THE CARRIER'S AGENT AND KEEP COPY TO SUPPORT YOUR CLAIM.**

Upon acceptance of items, owner assumes responsibility for its safe arrival. Damages should be reported to carrier and a claim filed. Failure to do this could result in the carrier refusing to honor your claim. The carrier will furnish you with necessary forms for filing a claim.

**DAMAGES CAUSED DURING TRANSIT ARE NOT COVERED UNDER OUR WARRANTY.**

2. **PLEASE INSPECT CONTENTS OF PACKAGE (S) CAREFULLY UPON RECEIVING!**

We must be notified in writing of any damages and/or missing parts within the allocated days upon receipt of package(s). Contact your local KOBE dealer or distributor or call KOBE for the time limit.

**CLAIMS WILL NOT BE ACCEPTED AFTER THE ALLOCATED DAYS.**

NOTE: ITEMS WERE THOROUGHLY TESTED AND CAREFULLY PACKED IN OUR FACTORY.

3. Products must be returned in good working condition with ALL original parts and documentation packed in ALL original cartons, fillers and shipping cartons. A restocking fee of 25% will be charged for all approved return(s).

**EXCHANGES OR RETURNS MAY NOT BE ACCEPTED IF ANY PACKAGING IS MISSING.**

4. **MAKE SURE TO INSPECT THE HOOD FOR DAMAGES AND DEFECTS BEFORE INSTALLATION.** Appearance flaws of the hood found after installation and not affecting hood performance is not covered under our warranty for returns or exchanges. Service visits not covered under warranty will carry a service charge.

A) Before Installation: Return for exchange or refund (please see above for acceptable returns).

B) After Installation: **NO** exchange or refund.

## WARRANTY

### WARRANTY CERTIFICATE

KOBE Range Hoods, Inc. warrants all products manufactured or supplied by it to be free from defects in workmanship and materials. Its obligations pursuant to this warranty are limited to a period of two years from the date of purchase and to the repair or replacement at its option and subject to the terms and conditions stated below, of any component part, which its examination shall disclose to be so defective.

### TWO-YEAR WARRANTY SERVICE PERIOD

Any covered failure occurring within two years of original purchase arising from defective workmanship or material in manufacture will be repaired (or at our option the unit will be replaced) free of charge by an authorized KOBE Range Hoods Agent or KOBE Range Hoods as applicable. Keep proof of purchase (or original invoice) handy for inspection.

If the range hood is sold by the original purchaser during the warranty period the new owner is protected until expiration of the original purchaser's warranty.

### CONDITIONS

The following conditions apply only in relation to the warranty expressly given in this certificate.

- 1) This warranty applies only:
  - a) within U.S.A. and Canada.
  - b) to range hoods used for PRIVATE SINGLE FAMILY USE (if used for COMMERCIAL or MULTIPLE FAMILY USE or other purposes, warranty will be voided).
- 2) Repair of any fault to be provided under this warranty shall not be provided:
  - a) if the identification number attached to the range hood has been altered, rendered illegible or removed;
  - b) if notice of the defect has not been given within the period applicable;
  - c) for failure of light bulbs;
  - d) for physical damage;
  - e) for surfaces damaged by use of improper chemical cleaning agents;
  - f) if the appliance has been:
    - i) subject to misuse, abuse, negligence, accident, incorrect installation or failure to follow the operating instructions;
    - ii) connected to improper, inadequate or faulty electricity service or exhaust ducts or flues or operated using incorrect or contaminated lubricants;
    - iii) installed, maintained or operated otherwise than in accordance with the instructions furnished by KOBE Range Hoods including the improper use of detergents, bleaches, or cleaners.
  - g) for damage to range hood during transit, delivery, installation or removal;
  - h) for damage by or resulting from attempted repairs conducted by anyone other than our Authorized Service Agent.

- 3) The purchaser shall be responsible for any expenses involved in making the range hood readily accessible for servicing and where the range hood is installed outside the main sales territory of the retailer or service territory of the nearest approved KOBE Range Hoods Agent as applicable, for any traveling expenses and any costs of transporting the range hood or parts thereof to and from the dealer or Service Agent
- 4) The purchaser must produce proof of purchase together with this warranty certificate when making the claim.
- 5) Damages caused during shipment are not covered under our warranty.

### **CONSEQUENTIAL DAMAGE**

The warrantor is not responsible for any consequential damage. SOME STATES DO NOT ALLOW THE EXCLUSION OF CONSEQUENTIAL DAMAGE SO THE ABOVE EXCLUSION MAY NOT APPLY TO YOU.

### **IMPLIED WARRANTIES/STATE LAW**

Any implied warranties, including the implied warranty of merchantability and fitness for purpose, imposed on the sale by the laws of the state of sale are limited to two year from the date of original purchase. Some states do not allow limitations on the duration of implied warranties. This warranty gives you specific legal rights, and may also have rights, which vary from state to state.

### **SERVICE**

For service contact:

KOBE Range Hoods, Inc.  
4934 Walnut Grove Avenue  
Suite 202  
San Gabriel, CA 91776  
U.S.A  
Tel: (626) 309-1356 Fax: (626) 309-1366  
Email: [customerservice@koberangehoods.com](mailto:customerservice@koberangehoods.com)  
[www.KobeRangeHoods.com](http://www.KobeRangeHoods.com)

## PRODUCT REGISTRATION

### Register Your Product!

Any covered failure occurring within two years of original purchase arising from defective workmanship or material in manufacture will be repaired or at our option the unit will be replaced free of charge by an authorized KOBE Range Hoods Agent or KOBE Range Hoods as applicable. Keep proof of purchase (original invoice) handy for inspection.

If the range hood is sold by the original purchaser during the warranty period the new owner is protected until expiration of the original purchaser's warranty. See warranty section for complete warranty coverage information.

This appliance has been manufactured, tested, and inspected to the standards required by KOBE Range Hoods.

### PLEASE MAIL IN YOUR WARRANTY REGISTRATION CARD AND PROOF OF PURCHASE TO:

KOBE Range Hoods, Inc.  
4934 Walnut Grove Avenue  
Suite 202  
San Gabriel, CA 91776

### RECORD THE FOLLOWING INFORMATION FOR YOUR RECORD:

Model No. \_\_\_\_\_

Serial No. \_\_\_\_\_

Purchased Date    \_\_\_\_ / \_\_\_\_ / \_\_\_\_

Purchased From:

\_\_\_\_\_  
\_\_\_\_\_  
\_\_\_\_\_

**IMPORTANT: PLEASE KEEP A COPY OF YOUR SALE RECEIPT OR INVOICE HANDY WHEN REQUESTING FOR SERVICE.**

## Free Manuals Download Website

<http://myh66.com>

<http://usermanuals.us>

<http://www.somanuals.com>

<http://www.4manuals.cc>

<http://www.manual-lib.com>

<http://www.404manual.com>

<http://www.luxmanual.com>

<http://aubethermostatmanual.com>

Golf course search by state

<http://golfingnear.com>

Email search by domain

<http://emailbydomain.com>

Auto manuals search

<http://auto.somanuals.com>

TV manuals search

<http://tv.somanuals.com>