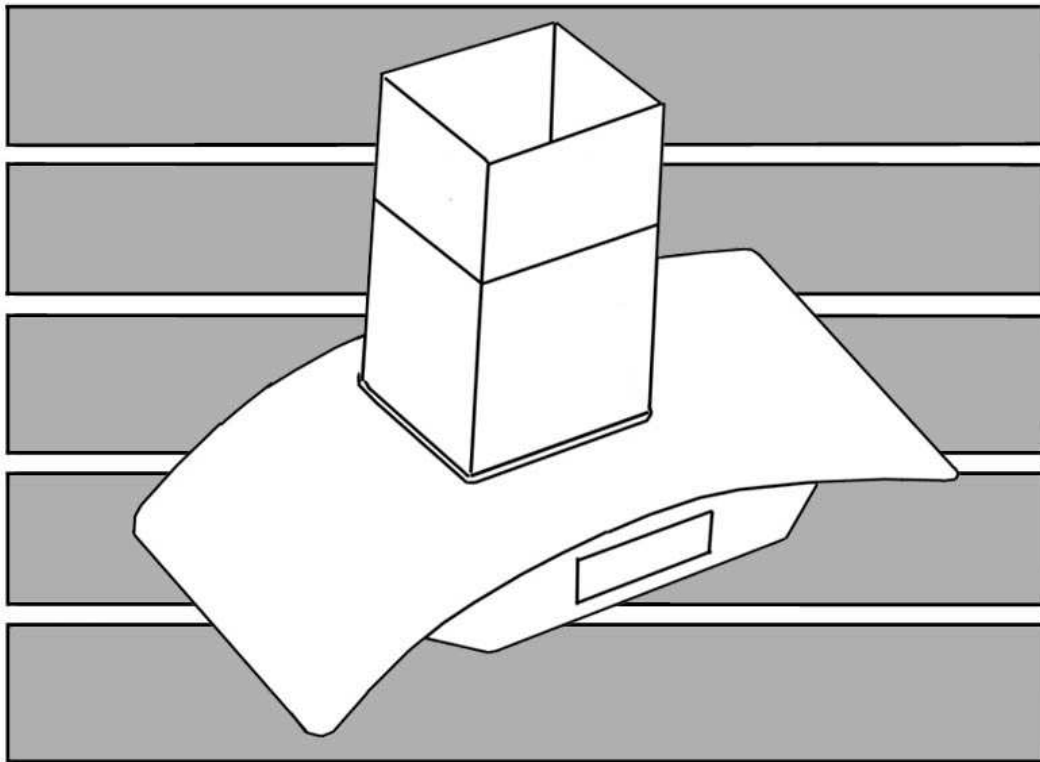


KOBE® **KOBE Brand Range Hood**

**Model No. IS2436GSB
IS2442GSB**

IS-124 SERIES “ISLAND GLASS CANOPY WITH LCD SCREEN”



INSTALLATION INSTRUCTIONS AND OPERATION MANUAL

- READ AND SAVE THESE INSTRUCTIONS -

CONTENTS

Important Safety Instructions..... 1
Components of Package..... 3
Installation..... 4
Operation Instructions..... 8
Maintenance 11
Specifications..... 13
Measurements & Diagrams..... 14
Parts List..... 16
Circuit Diagram 18
Disclaimer 19
Warranty 20
Product Registration..... 22

- READ ALL INSTRUCTIONS CAREFULLY BEFORE STARTING -

ALL WIRING MUST BE DONE BY A PROFESSIONAL AND IN ACCORDANCE WITH NATIONAL AND LOCAL ELECTRICAL CODES.



IMPORTANT SAFETY INSTRUCTIONS

- PLEASE READ THIS SECTION CAREFULLY BEFORE INSTALLATION -



WARNING – TO REDUCE THE RISK OF FIRE, ELECTRIC SHOCK OR PERSONAL INJURY, OBSERVE THE FOLLOWING:

- 1) Installation and electrical wiring must be done by qualified professionals and in accordance with all applicable codes and standards, including fire-rated construction.
- 2) When cutting or drilling into wall or ceiling, be careful not to damage electrical wiring or other hidden utilities.
- 3) Ducted fans must be vented to the outside.
 - a) Before servicing or cleaning unit, open the light panel and SWITCH POWER OFF AT SERVICE PANEL.
 - b) Clean fan, baffles/filters/oil containers and grease laden surfaces frequently. To reduce the risk of fire and to disperse air properly; make sure to vent air outside. DO NOT vent exhaust air into wall spaces, attics, crawl spaces or garages.

NOTE - This warranty is invalid without an authorized agent's receipt or if unit is damaged due to misuse, poor installation, improper use, mistreatment, negligence or any other circumstances beyond the control of KOBE RANGE HOODS authorized agents. Any repair carried out without the supervision of KOBE RANGE HOODS authorized agents will automatically void the warranty.

- KOBE RANGE HOODS will not be held responsible for any damages to personal property or real estate or any bodily injuries whether caused directly or indirectly by the range hood.



WARNING – TO REDUCE THE RISK OF PERSONAL INJURY IN THE EVENT OF A RANGE TOP GREASE FIRE:

- Keep fan, baffles/filters/oil containers, if any, and grease-laden surfaces clean.
- Always turn hood ON when cooking at high heat.
- Use high settings on cooking range ONLY when necessary.
- Do not leave cooking range unattended when cooking.
- Always use cookware and utensils appropriate for the type and amount of food prepared.
- Use this unit only in the manner intended by the manufacturer.
- Before servicing, switch power off at service panel and lock service panel (if possible) to prevent power from switching on accidentally.
- Clean ventilating fans frequently. Grease should not be allowed to accumulate on fan and baffles/filters/oil containers.

What to Do In The Event Of a Range Top Grease Fire

- SMOTHER FLAMES with a close fitting lid, cookie sheet, or metal tray, and then turn off the burner. KEEP FLAMMABLE OR COMBUSTIBLE MATERIAL AWAY FROM FLAMES. If the flames do not go out immediately, EVACUATE THE AREA AND CALL THE FIRE DEPARTMENT or 911.
- NEVER PICK UP A BURNING PAN – You May Get Burned.
- DO NOT USE WATER, including wet dishcloths or towels – a violent steam blast will result.
- Use an extinguisher ONLY if:
 - a) You have a Class A, B, C extinguisher and know how to operate it.
 - b) The fire is small and contained in the area where it started.
 - c) The fire department has been called.
 - d) You can fight the fire with your back to an exit.

What to Do If You Smell Gas

- Extinguish any open flame.
- Do not try to turn on the lights or any type of appliance.
- Open all doors and windows to disperse the gas. If you still smell gas, call the Gas Company and Fire Department right away.

CAUTION

- 1) For general ventilation use only. Do not use to exhaust hazardous or explosive materials and vapors.
- 2) To reduce the risk of fire, use only metal ductwork. Sufficient air is needed for proper combustion and exhausting of gases through the flue (chimney) to prevent back drafting.
- 3) Follow the heating equipment manufacturer's guideline and safety standards such as those published by the National Fire Protection Association (NFPA), and the American Society for Heating, Refrigeration and Air Conditioning Engineers (ASHRAE), and code authorities.
- 4) Activating any switch on may cause ignition or an explosion.
- 5) Due to the size and weight of this hood, two people installation is recommended.

WARNING



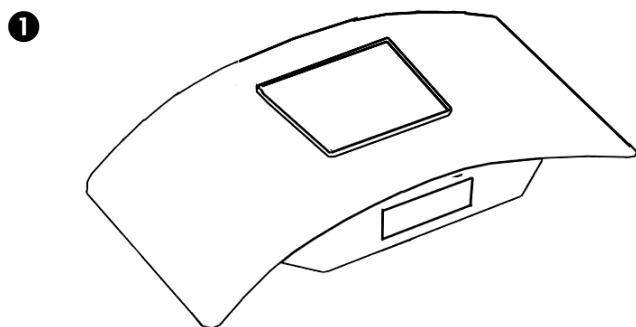
ELECTRICAL SHOCK HAZARD – Can result in serious injury or death. Disconnect appliance from electric power before servicing. If equipped, the fluorescent light bulb contains small amounts of mercury, which must be recycled or disposed of according to Local, State, and Federal Codes.

COMPONENTS OF PACKAGE

(Must keep all material for returns or refunds)

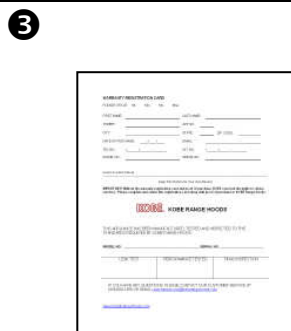
BOX 1 OF 2
MODEL NO. IS2436GSB
MODEL NO. IS2442GSB

- ① Glass Canopy w/ LCD Screen – 1
- ② Baffle Filter – 2
- ③ Warranty Registration Card – 1
- ④ Instructions Manual – 1

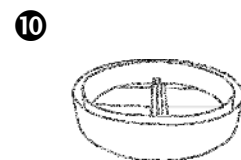
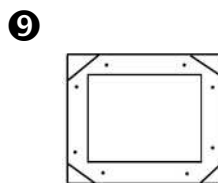
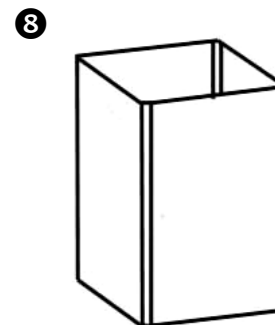
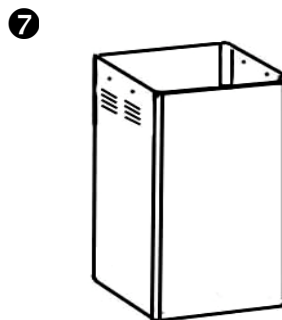
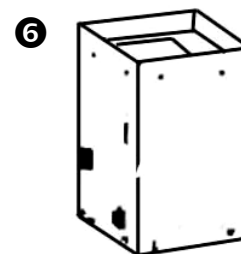
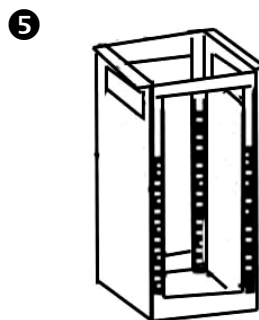


* Attached to Hood

BOX 2 OF 2
MODEL NO. IS124DC



- ⑤ Telescopic Stack – 1
- ⑥ Blower Unit - 1
- ⑦ Inner Duct Cover – 1
- ⑧ Outer Duct Cover – 1
- ⑨ Mounting Template – 1
- ⑩ 7" Round Damper – 1
- ⑪ Screws Package



* Attached to Blower Unit

⑪



M 5 x 15 (12 pcs) ST 3 x 15 (4 pcs)

* Attached to the Unit

◆ **OPTIONAL RECIRCULATING KIT AVAILABLE.** FOR MORE INFORMATION, PLEASE VISIT OUR WEBSITE WWW.KOBERANGEHOODS.COM OR CONTACT KOBE RANGE HOODS AT (626) 350-1355.

INSTALLATION

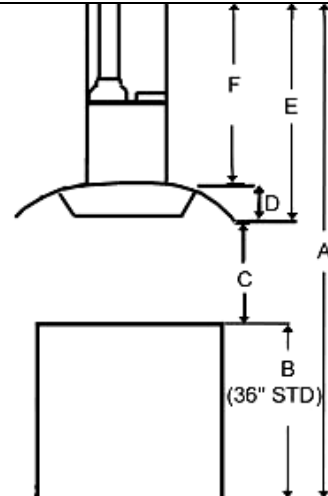
PLEASE READ ENTIRE INSTRUCTIONS BEFORE PROCEEDING

Calculation before Installation

To calculate installation, please refer to TABLE 1. (All calculation in inches.)

TABLE 1

A = Height of Floor to Ceiling
B = Height of Floor to Counter Top
(Standard: 36")
**C = Preferred Height of Counter Top to Hood
Bottom (Recommended 30" to 36")**
D = Height of Hood
E = Height of the Hood Installation
[A - (B+C)]
F = Height of Duct Cover
[E - D]



SAFETY WARNING

HOOD MAY HAVE VERY SHARP EDGES; PLEASE WEAR PROTECTIVE GLOVES IF IT IS NECESSARY TO REMOVE ANY PARTS FOR INSTALLING, CLEANING OR SERVICING.

NOTE: BE CAREFUL WHEN USING ELECTRICAL SCREWDRIVER, DAMAGE TO THE HOOD MAY OCCUR.

Preparation before Installation

NOTE: TO AVOID DAMAGE TO YOUR HOOD, PREVENT DEBRIS FROM ENTERING THE VENT OPENING.

- Decide the location of the venting pipe from the hood to the outside. (Figure 1)
- A straight, short vent run will allow the hood to perform more efficiently.
- Try to avoid as many transitions, elbows, and long run as possible. This may reduce the performance of the hood.
- Temporarily wire the hood to test for proper operation before installing. Refer to figure 5 on page 6.
- **Important: Peel protective film off the hood and duct covers, if any.**
- Use duct tape to seal the joints between pipe sections.

Advance Planning

1. Mark centerlines of cook top or range on ceiling. Use centerlines marked on ceiling to position the mounting template as shown in Figure 2.
2. Remove and save template. Cut and remove ceiling drywall. Install 2" x 4" cross framing lumber (not provided) between ceiling joists.
3. The framing should be spaced 12-1/8" at the front centerline and 14-1/4" on the sides to accept the mounting screw in the telescopic stack. Refer to MEASUREMENTS & DIAGRAMS on pages 14-15. Shown in Figure 3.
4. Finish the ceiling surface. Be sure to mark the location of the ceiling joists and cross framing lumber.
5. Align the mounting template to the ceiling marks and tape in place. Cut the 7-1/4" duct open and approximately 1" wire access hole. Drill holes for the 8 mounting screws as indicated on the template.

Figure 1

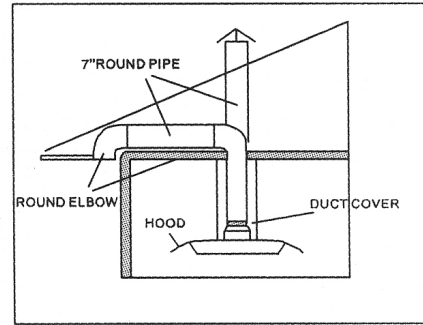


Figure 2

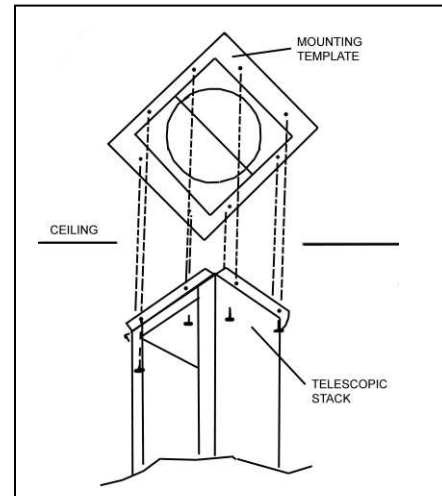
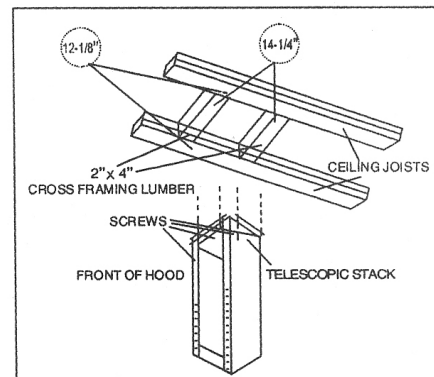


Figure 3



Telescopic Stack Installation

- Align the telescopic stack to the pre-drill holes on the ceiling and securely fasten to the joists and cross framing lumber with eight screws (not provided). Make sure screws are driven into center of joists and cross framing lumber for maximum support.
- Adjust the blower unit to the telescopic stack using reference **F** calculated in TABLE 1 on page 4 and measurements on pages 14-15. Tighten blower unit to the telescopic stack with four (M5 x 15) screws (provided) as shown in Figure 4.

Wiring to Power Supply



SAFETY WARNING

RISK OF ELECTRICAL SHOCK. THIS RANGE HOOD MUST BE PROPERLY GROUNDED. MAKE SURE THIS IS DONE BY QUALIFIED ELECTRICIAN IN ACCORDANCE WITH ALL APPLICABLE NATIONAL AND LOCAL ELECTRICAL CODES. BEFORE CONNECTING WIRES, SWITCH POWER OFF AT SERVICE PANEL AND LOCK SERVICE PANEL TO PREVENT POWER FROM BEING SWITCHED ON ACCIDENTALLY.

- Route house wiring into the ceiling as close to the installation location as possible. Allow additional length to drop down from the ceiling to the electric box.
- Connect the electrical wires according to color (green to green, white to white, and green to green) and cap with wire connectors as shown in Figure 5. Green wire must be grounded to reduce risk of electric shock.

Ductwork Installation

- Use 7" round aluminum or steel pipe (not provided) to connect the 7" round damper on the hood to the ductwork above. NOTE: Place 7" round duct pipe over the damper. Seal with duct tape to make all joints secure and air tight. NOTE: MAKE SURE FLAPS ON DAMPER CAN OPEN & CLOSE FREELY. (Figure 6)

Figure 4

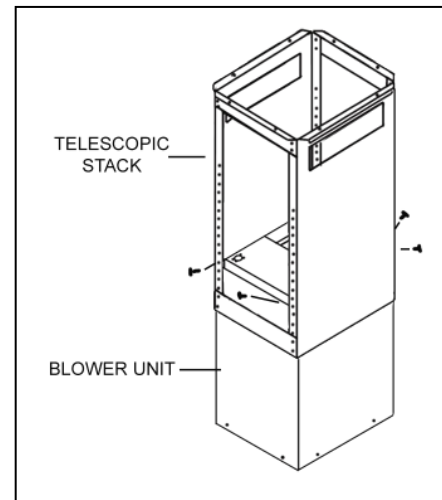


Figure 5

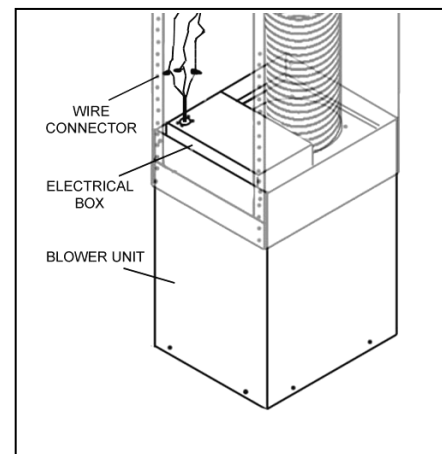
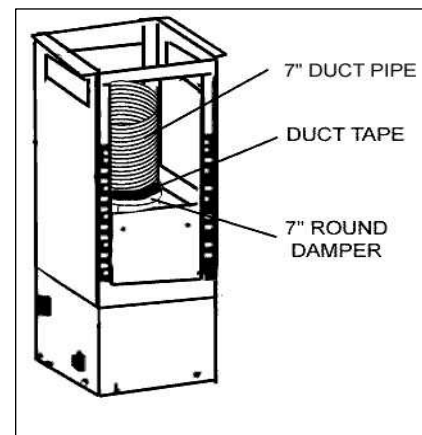


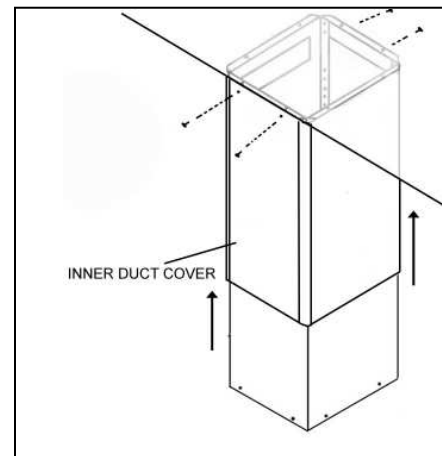
Figure 6



Duct Cover Installation

- Slide the inner duct cover up and secure to the telescopic stack with four (ST 3 x 15) screws (provided). Refer to Figure 7.
- With assistance, slide the outer duct cover to the blower unit and ask assistant to hold steady until step 15 is completed.
- Attach glass canopy with LCD screen underneath the blower unit. Make sure blower unit is inside the housing connector. Refer to the PARTS LIST on pages 16-17.
- Secure the housing connector to the blower unit with eight (M5 x 15) screws (provided) as shown in Figure 8.
- Ask assistant to slide outer duct cover downward so it rest within the grooves of the glass canopy.

Figure 7



Connection to LCD Screen



SAFETY WARNING

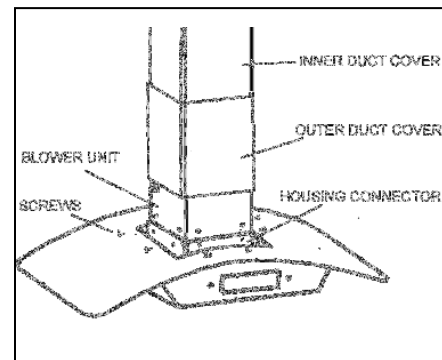
RISK OF ELECTRICAL SHOCK. THIS RANGE HOOD MUST BE PROPERLY GROUNDED. MAKE SURE THIS IS DONE BY QUALIFIED ELECTRICIAN IN ACCORDANCE WITH ALL APPLICABLE NATIONAL AND LOCAL ELECTRICAL CODES. BEFORE CONNECTING WIRES, SWITCH POWER OFF AT SERVICE PANEL AND LOCK SERVICE PANEL TO PREVENT POWER FROM BEING SWITCHED ON ACCIDENTALLY.

- Remove front baffle filter (directly behind LCD screen). When facing the LCD screen, turn knobs slightly to left to release baffle filter. CAUTION: DO NOT OVERTURN KNOBS.
- Connect the wires according to connector color to the blower unit.
- Place baffle filters back in place.

Final Assembly

- Turn power ON in control panel. Check all lights and fan operation.
- Make sure to leave this manual for the homeowner.

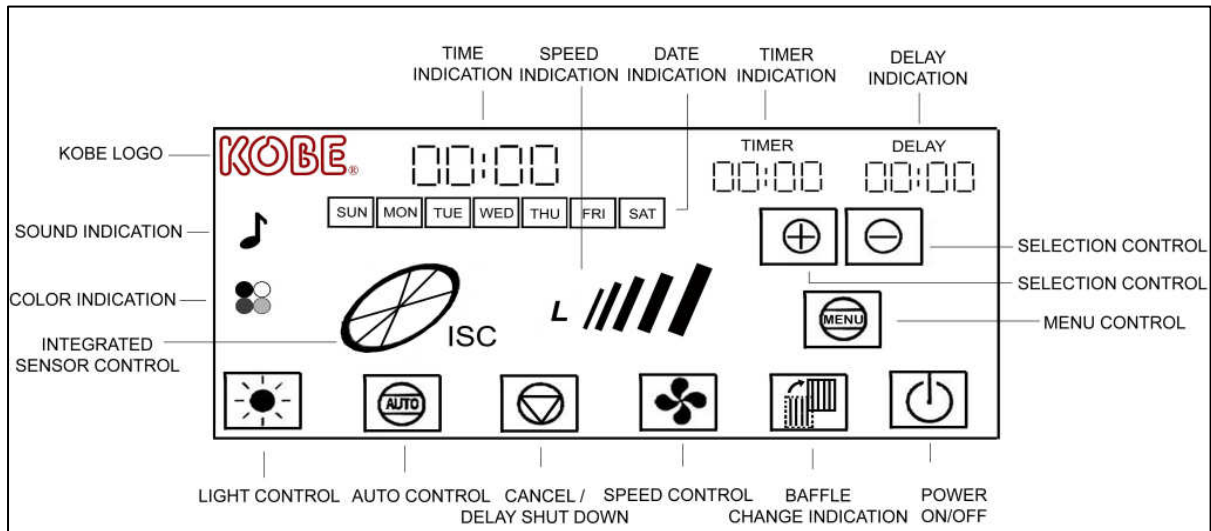
Figure 8



OPERATION INSTRUCTIONS

Figure 9

LCD DISPLAY:





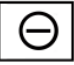
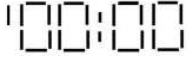
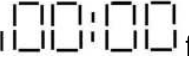
PRESS  TO TURN ON/OFF THE LCD SCREEN

(When power is turned on, LCD screen will light up & remain lit until turn off. When power is turned off, LCD screen will remain lit for several seconds before turning off.)




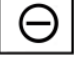
GENERAL SETUP

(During menu option, if a function is not chosen within 10 seconds, the icon will stop flashing & menu option will end.)




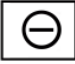
• Setting Time

1. Press  until time icon flashes.
2. Press  or  to select current time by hh:mm.
(Choose  for A.M. or  for P.M.)




• Setting Date

1. Press  until date section flashes.
()
2. Press  or  to select current date.

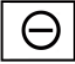
- **Setting Background Color**


1. Press  until  flashes.
2. Press  or  to select background color (purple, light blue, or green).

- **Setting Sound**

1. Press  until  flashes.
2. Press  to select sound.

OR


Press  to mute sound.

(When  appears, keypad sound is ON.)


HOOD OPERATION

- **Turning Fan ON/OFF**


1. Press  to turn fan ON.

(Each press of  will cycle the fan through QuietMode™, Low, Medium, and High.)
The screen will indicate:

 = QuietMode™ Speed

 = Low Speed

 = Medium Speed

 = High Speed


2. Press  once will place fan on 3 minute delay shutoff.

OR

Press  twice will immediately turn fan OFF.

- **Turning ISC (Integrated Sensor Control) ON/OFF**


1. Press  to turn ISC ON.


( ISC will indicate that the ISC system is ON. When gas, smoke, or higher than normal room temperature is detected, fan will automatically turn ON. Fan will turn to its highest speed and decrease speed until all gas and smoke are eliminated.)

2. Press  to turn ISC OFF.

- **Turning Lights ON**



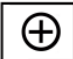
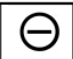


(Light control is separate from ON/OFF control. Turning power off will not turn lights off.)

1. Press  to turn halogen lights ON.




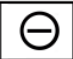

(Each press of  will cycle the light intensity through low, high, and off.)

- **Setting Delay Mode**

(Delay Mode will only turn off the fans. Other functions that are active will not be turned off.)

1. Press  until  icon flashes.
2. Press  or  to set up the time for delay shut down by mm:ss.
3. Press  until none of the icons are flashing. Press  to start delay shutdown.
4. When countdown reaches 00:00, a warning sound will be emitted and fans will turn off.

- **Setting Timer Mode**

1. Press  until  icon flashes.
2. Press  or  to set the desire time in the timer mode by mm:ss.
3. Press  until none of the icons are flashing to begin timer.
(When countdown reaches 00:00, a warning sound will be emitted.)

MAINTENANCE



SAFETY WARNING

NEVER PUT YOUR HAND INTO AREA HOUSING THE FAN WHILE THE FAN IS OPERATING.

For the optimal level of operation, clean the range hood surface and baffles/filters/oil containers regularly.

To Clean Hood Surface

CAUTION: NEVER USE ABRASIVE CLEANERS, PADS, OR CLOTHS.

*** Regular care will help preserve the appearance of the hood.


1. Use only mild soap or detergent solutions. Dry surfaces using soft cloth.
2. If hood looks splotchy (stainless steel hood), use a stainless steel cleaner to clean the surface of the hood. Avoid getting cleaner on the control panel. Only spread a light coating over the surface of the hood and leave on for a few minutes (do not leave on too long or this may cause damage to hood finish). Use soft towel to wipe off the cleaning solution, gently rub any stubborn spots. Use a slightly damp towel to get rid of any cleaning solution. Use dry soft towel to dry the hood.
3. To bring the glow back into a stainless steel finish, use a stainless steel cleaner.
4. DO NOT allow deposits to remain for long periods of time.
5. DO NOT use ordinary steel wool or steel brushes. Small bits of steel may adhere to the surface causing rust.
6. DO NOT allow salt solutions, disinfectants, bleaches, or cleaning compounds to remain in contact with stainless steel for extended periods. Many of these compounds contain chemicals, which may be harmful. Rinse with water after exposure and wipe dry with a clean cloth.

To Clean or Replace Baffle Filter

CAUTION: DRAIN OIL FROM BAFFLE FILTERS BEFORE OIL CAN OVERFLOW.

Cleaning Indication:



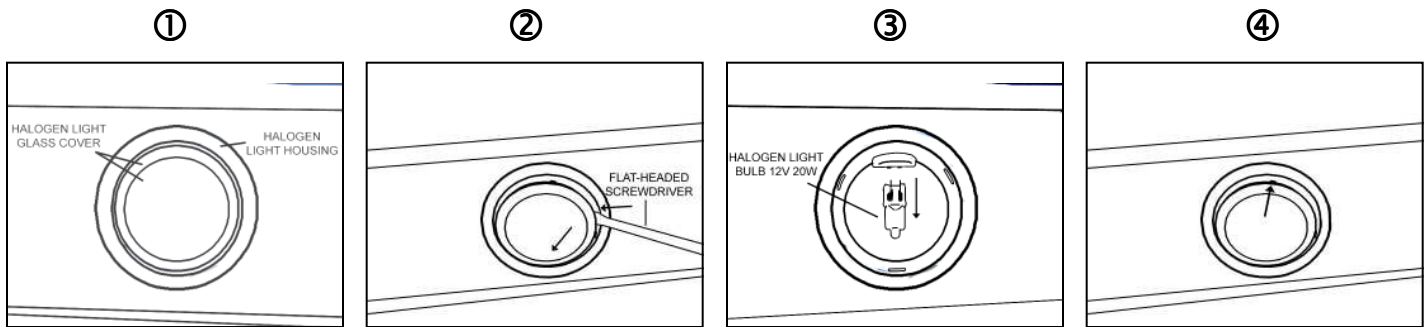
1. The LCD display will indicate  when baffle filter needs cleaning.
2. Remove to clean the baffle filter. When facing the hood, turn knobs slightly to left to release.
CAUTION: DO NOT OVERTURN KNOBS.
(To purchase replacement, please contact your local KOBE dealer or call 626-350-1355)

Cleaning Baffle Filter:

1. Remove all the baffle filters by turning the baffle filter knob slightly to left to release. **CAUTION: DO NOT OVERTURN KNOBS.**
2. Wash with warm soapy water. Dry completely before returning into place.
(Note: Baffle Filters are top rack dishwasher safe.)

To Replace Light Bulb

CAUTION: HALOGEN LIGHT UNIT MAY BE HOT! WAIT UNTIL UNIT IS COOL.



1. Make sure all controls are OFF, and range hood is unplugged.
2. Place the flat-head screwdriver into the groove between the halogen light glass covering and the housing ①.
3. Gently separate glass covering from the housing ②.
4. Gently pull out the defective light bulb ③ and discard. Light bulbs should be 12V 20W maximum.
5. Wear a glove or use a cloth to hold the new light bulb and push securely into light socket.
NOTE: DO NOT PUSH TOO HARD OR YOU MAY BREAK THE BULB CONNECTOR.
6. Put back halogen light glass cover ④.
7. Plug back power cord and turn on range hood to test for operation.

SPECIFICATIONS

BOX 1 OF 2 MODEL / SIZE	IS2436GSB / 36" IS2442GSB / 42"			
BOX 2 OF 2 MODEL / SIZE	IS124DC – Duct cover with blower unit			
COLOR	18-Gauge Commercial Grade Stainless Steel			
CONSUMPTION / AMPERE	240W / 2.0A			
VOLTAGE	120V 60Hz			
NUMBER OF MOTORS	1			
DESIGN	18-Gauge Seamless / Satin Finish			
FAN TYPE	Squirrel Cage			
EXHAUST	Top 7" Round Damper			
CONTROLS	Touch Screen Multi Function LCD			
HALOGEN LIGHTS	12V 20W x 2			
OPTIONAL ACCESSORIES (SOLD SEPARATELY)	Recirculating Kit – Item No. RD-0124			
WEIGHT (lbs)		<u>Net</u>	<u>Gross</u>	
	(IS2436GSB)	40	51	
	(IS2442GSB)	46	58	
	(IS124DC)	55	73	
SPEED	QuietMode™	Low	Medium	High
Air Capacity (cfm)*	300	480	540	600
Sone	**1.0	2.8	4.5	4.8

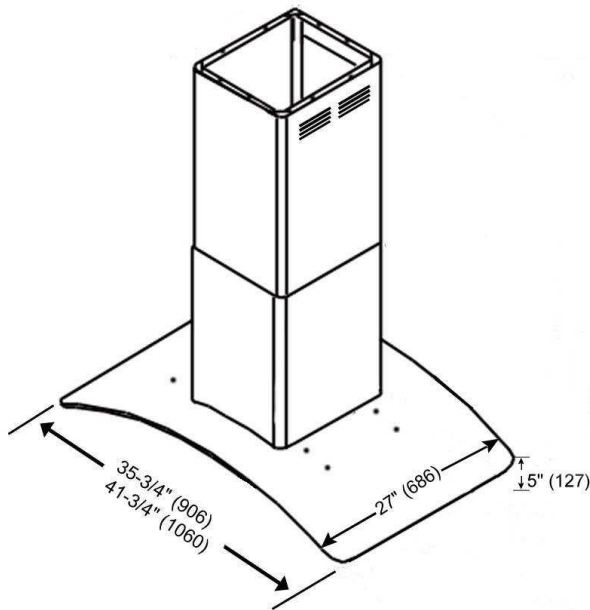
Specifications subject to change without notice.

*Ceiling measurement is calculated with 30" minimum clearance height and 36" maximum clearance height.

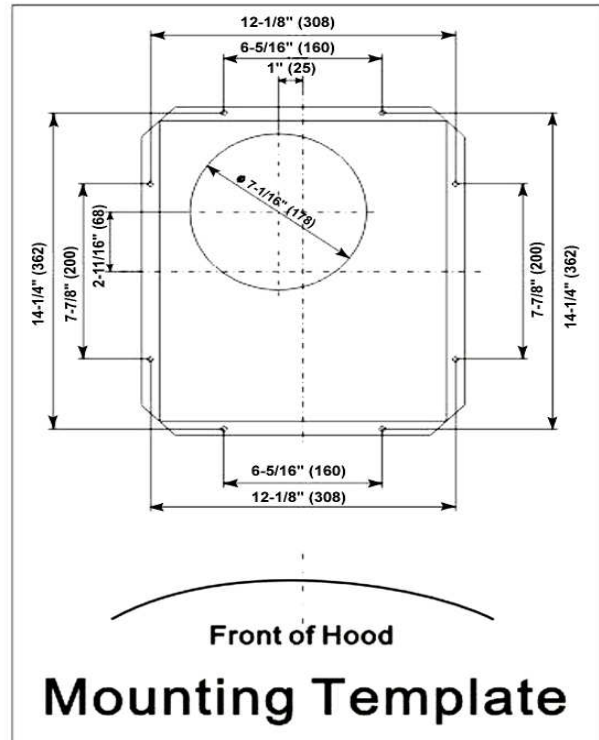
**In House Test Static Pressure "0".

MEASUREMENTS & DIAGRAMS

- ◆ All () measurements are in millimeter.
- ◆ All inch measurements are converted from millimeter. Inch measurements are estimated.

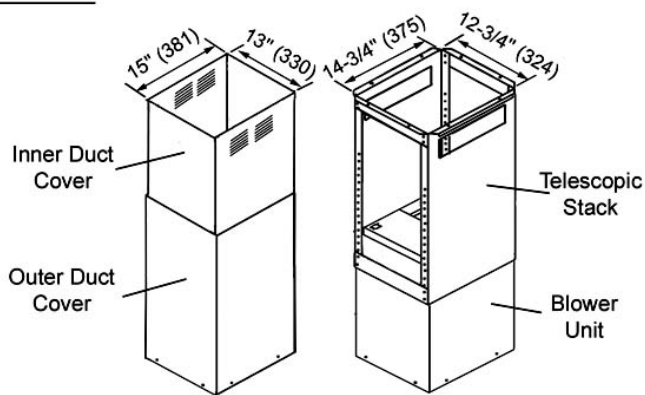


***Mounting Template



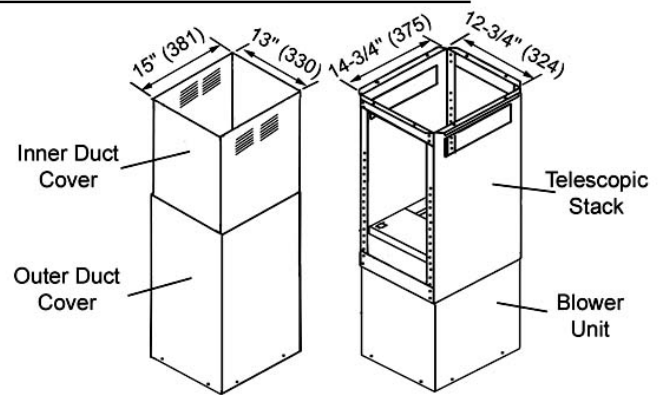
(Sold Separately)

IS124DC



Dimension: 26-1/2" (MIN.)
42-1/4" (MAX.)

IS124DC W/ RD-0124 (Recirculating)



Dimension: 29-1/4" (MIN.)
42-1/4" (MAX.)

PARTS LIST

MODEL NO.: IS2436GSB
IS2442GSB

(Box 1 of 2)

MODEL NO. IS2436GSB MODEL NO. IS2442GSB			
NO.	DESCRIPTION	MODEL	PART NO.
01	Glass Canopy	IS2436GSB	GC-0036-01
		IS2442GSB	GC-0042-01
02	Housing Connector		PH-0001-01
03	Sensor Control		PH-0002-01
04	Light Support Panel (Top)		PH-0003-01
05	Light Support Panel (Bottom)		PH-0003-02
06	Halogen Light		PH-0004-01
07	Hood Casing		PH-0005-01
08	LCD Screen		PH-0006-01
09	Baffle Filter	BF-0124	PH-0007-01

(Box 2 of 2)

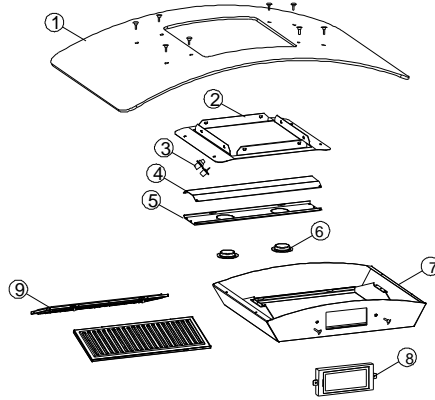
MODEL NO. IS124DC			
NO.	DESCRIPTION	MODEL	PART NO.
10	Inner Duct Cover		PD-0001-01
11	7" Round Damper		PD-0002-01
12	Rubber Seal		PD-0002-02
13	Outer Duct Cover		PD-0001-02
14	Telescopic Stack		PD-0001-03
15	Transformer Box		PD-0001-04
16	Transformer		PD-0003-02
17	Motor Housing		PD-0003-05
18	Air Chamber		PD-0003-06
19	Air Flow Grill		PD-0003-11
20	Blower Cover		PD-0003-10
21	Locknut		PD-0003-09
22	Squirrel Cage		PD-0003-08
23	Power Board Box		PD-0003-01
24	Capacitor		PD-0003-04
25	Power Board		PD-0003-03
26	Motor		PD-0003-07
27	Power Board Box Cover		PD-0003-12

RECIRCULATING KIT – ITEM NO. RD-0124 (OPTIONAL)

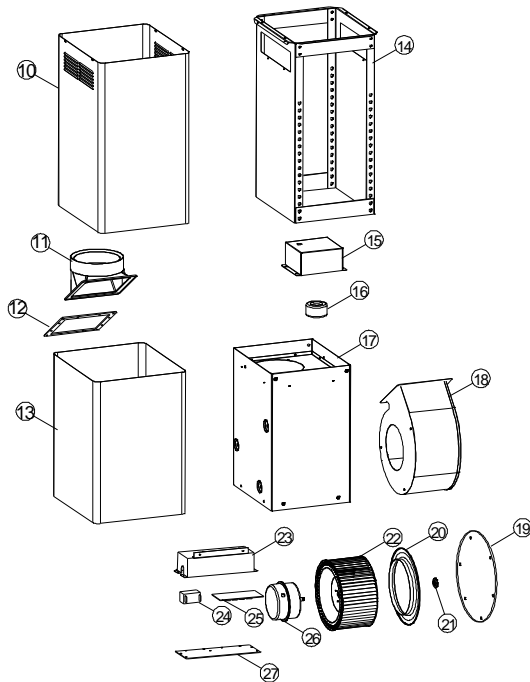
NO.	DESCRIPTION	MODEL	PART NO.
28	Box		RD-0004-03
29	Box Bracket		RD-0004-02
30	ST3X10		RD-0004-01
31	ST3X10		RD-0004-01
32	7" Round Adapter		RD-0005-01
33	Grease Filter		RD-0007-01

**MODEL NO.: IS2436GSB
IS2442GSB**

BOX 1 OF 2 - GLASS CANOPY WITH LCD SCREEN

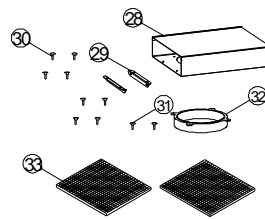


BOX 2 OF 2 - DUCT COVER



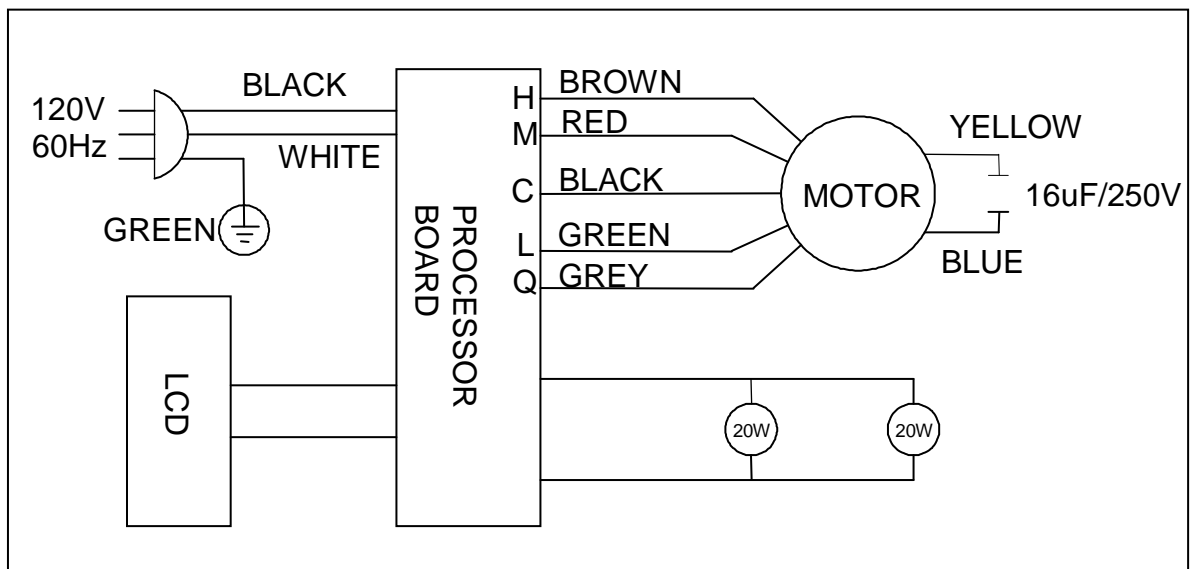
RECIRCULATING KIT - ITEM NO. RD-0124

(OPTIONAL)



CIRCUIT DIAGRAM

MODEL NO.: IS2436GSB
IS2442GSB



DISCLAIMER

1. **CAREFULLY INSPECT ALL ITEMS FOR DAMAGES BEFORE ACCEPTING DELIVERY. NOTE ANY DAMAGES ON THE FREIGHT BILL OR EXPRESS RECEIPT. REQUEST NAME AND SIGNATURE OF THE CARRIER'S AGENT AND KEEP COPY TO SUPPORT YOUR CLAIM.**

Upon acceptance of items, owner assumes responsibility for its safe arrival. Report damages to the carrier and file a claim immediately. Failure to do so may result in the denial of your claim. The carrier will furnish you with necessary forms for filing a claim.

DAMAGES CAUSED DURING TRANSIT ARE NOT COVERED UNDER OUR WARRANTY.

2. **PLEASE INSPECT CONTENTS OF PACKAGE (S) CAREFULLY UPON RECEIPT!**

We must be notified in writing of any damages and/or missing parts within the allocated days upon your receipt of package(s). Contact your local KOBE dealer or distributor or call KOBE for the time limit.

CLAIMS WILL NOT BE ACCEPTED AFTER THE ALLOCATED DAYS.

NOTE: ITEMS WERE THOROUGHLY TESTED AND CAREFULLY PACKED IN OUR FACTORY BEFORE SHIPPING.

3. Products must be returned in good working condition with ALL original parts and documentation packed in ALL original cartons, fillers and shipping cartons. A restocking fee of 25% will be charged for all approved items.

EXCHANGES OR RETURNS MAY NOT BE ACCEPTED IF ANY PACKAGING IS MISSING.

4. **MAKE SURE TO INSPECT THE HOOD FOR DAMAGES AND DEFECTS BEFORE INSTALLATION.** Appearance flaws of the hood found after installation and not affecting hood performance is not covered under our warranty for returns or exchanges. Service visits not covered under warranty will carry a service charge.

A) Before Installation: Return for exchange or refund (please see above for acceptable returns).

B) After Installation: **NO** exchange or refund.

WARRANTY

WARRANTY CERTIFICATE

KOBE Range Hoods, Inc. warrants all products manufactured or supplied by it to be free from defects in workmanship and materials. Its obligations pursuant to this warranty are limited to a period of two years from the date of purchase and to the repair or replacement at its option and subject to the terms and conditions stated below, of any component, which its examination shall disclose to be so defective.

TWO-YEAR WARRANTY SERVICE PERIOD

Any warranted failure occurring within two years of original purchase arising from defective workmanship or material in manufacture will be repaired or replaced (at our own discretion) free of charge by an authorized KOBE Range Hoods agent or KOBE Range Hoods as applicable. Keep proof of purchase (or original invoice) handy for inspection.

If the range hood is sold by the original purchaser during the warranty period, the new owner is protected until the expiration of the original purchaser's warranty.

CONDITIONS

The following conditions apply only in relation to the warranty expressly given in this certificate.

- 1) This warranty applies only:
 - a) within U.S.A. and Canada.
 - b) to range hoods used for PRIVATE SINGLE FAMILY USE (if used for COMMERCIAL or MULTIPLE FAMILY USE or other purposes, warranty will be voided).
- 2) Repair of any fault to be provided under this warranty shall not be provided:
 - a) the identification number attached to the range hood has been removed, altered, or rendered illegible;
 - b) notice of the defect has not been given within the period applicable;
 - c) for failure of light bulbs;
 - d) for physical damage;
 - e) for surfaces damaged by use of improper chemical cleaning agents;
 - f) if the appliance has been:
 - i) subject to misuse, abuse, negligence, accident, incorrect installation or failure to follow the operating instructions;
 - ii) connected to improper, inadequate or faulty electricity service or exhaust ducts or duct cover or operated using incorrect or contaminated lubricants;
 - iii) installed, maintained or operated not in accordance with the instructions furnished by KOBE Range Hoods including the improper use of detergents, bleaches, or cleaners.
 - g) for damage to range hood during transit, delivery, installation or removal;
 - h) for damage by or resulting from attempted repairs conducted by anyone other than KOBE Authorized Service Agent.
- 3) The purchaser shall be responsible for any expenses involved in making the range hood readily accessible for servicing and service to range hood installed outside the main sales territory of the retailer or service territory of the nearest approved KOBE Range Hoods Agent as applicable, for any traveling expenses and costs of transporting the range hood or parts thereof to and from the dealer or Service Agent.
- 4) The purchaser must produce proof of purchase and this warranty certificate when making the claim.
- 5) Damages caused during shipment are not covered under our warranty.

CONSEQUENTIAL DAMAGE

The warrantor is not responsible for any consequential damage. UNLESS YOU LEAVE IN A STATE THAT DO NOT ALLOW THE EXCLUSION OF CONSEQUENTIAL.

IMPLIED WARRANTIES/STATE LAW

Any implied warranties, including the implied warranty of merchantability and fitness for purpose, imposed on the sale by the laws of the state of sale are limited to two year from the date of original purchase. Some states do not allow limitations on the duration of implied warranties. This warranty gives you specific legal rights, which vary from state to state.

SERVICE

For service please contact:

KOBE Range Hoods, Inc.
10505 Valley Blvd., Suite #302
El Monte, CA 91731
U.S.A
Tel: (626) 350-1355 Fax: (626) 350-1976
Email: customer.service@koberangehoods.com
www.KOBERangeHoods.com

PRODUCT REGISTRATION

Register Your Product!

Any covered failure occurring within two years of original purchase arising from defective workmanship or material in manufacture will be repaired or at our option, replaced free of charge by an authorized KOBE Range Hoods Agent or KOBE Range Hoods as applicable. Keep proof of purchase (original invoice) handy for inspection.

If the range hood is sold by the original purchaser during the warranty period the new owner is protected until the expiration of the original purchaser's warranty. See warranty section for complete warranty coverage information.

This appliance has been manufactured, tested, and inspected to the standards required by KOBE Range Hoods.

PLEASE MAIL IN YOUR WARRANTY REGISTRATION CARD AND PROOF OF PURCHASE TO:

KOBE Range Hoods, Inc.
10505 Valley Blvd.
Suite 302
El Monte, CA 91731

RECORD THE FOLLOWING INFORMATION FOR YOUR RECORD:

Model No. _____

Serial No. _____

Purchased Date ____/____/____

Purchased From:

IMPORTANT: PLEASE KEEP A COPY OF YOUR SALE RECEIPT OR INVOICE HANDY WHEN REQUESTING FOR SERVICE.

KOBE®

KOBE Range Hoods
10505 Valley Blvd Suite # 302
El Monte, CA 91731 USA

<http://www.KOBERangeHoods.com>

This KOBE hood is made for use in the USA and CANADA only. We do not recommend using this hood overseas as the power supply may not be compatible and may violate the electrical code of that country. **Using a KOBE hood overseas is at your own risk and will void your warranty.**

V.070717

Free Manuals Download Website

<http://myh66.com>

<http://usermanuals.us>

<http://www.somanuals.com>

<http://www.4manuals.cc>

<http://www.manual-lib.com>

<http://www.404manual.com>

<http://www.luxmanual.com>

<http://aubethermostatmanual.com>

Golf course search by state

<http://golfingnear.com>

Email search by domain

<http://emailbydomain.com>

Auto manuals search

<http://auto.somanuals.com>

TV manuals search

<http://tv.somanuals.com>