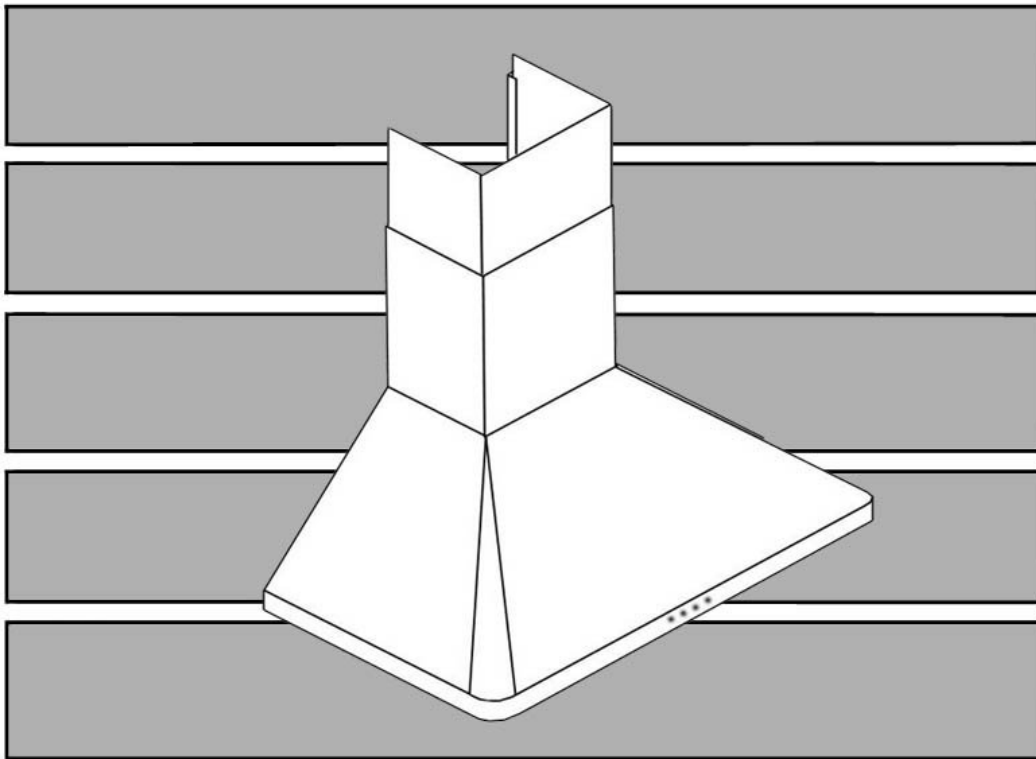


# **KOBE**® **KOBE Brand Range Hood**

**Model No. RA9430SQB  
RA9436SQB**

**RA-094 SERIES**



**INSTALLATION INSTRUCTIONS  
AND OPERATION MANUAL**

- READ AND SAVE THESE INSTRUCTIONS -

**CONTENTS**

Important Safety Instructions..... 1  
Components of Package..... 3  
Installation..... 4  
Operation Instructions..... 8  
Maintenance ..... 9  
Specifications..... 10  
Measurements & Diagrams..... 11  
Parts List..... 12  
Circuit Diagram ..... 14  
Disclaimer ..... 15  
Warranty ..... 16  
Product Registration..... 18

- READ ALL INSTRUCTIONS CAREFULLY BEFORE STARTING -  
ALL WIRING MUST BE DONE BY A PROFESSIONAL AND IN  
ACCORDANCE WITH NATIONAL AND LOCAL ELECTRICAL CODES.



## IMPORTANT SAFETY INSTRUCTIONS

**- PLEASE READ THIS SECTION CAREFULLY BEFORE INSTALLATION -**



**WARNING – TO REDUCE THE RISK OF FIRE, ELECTRIC SHOCK OR PERSONAL INJURY, OBSERVE THE FOLLOWING:**

- 1) Installation and electrical wiring must be done by qualified professionals and in accordance with all applicable codes and standards, including fire-rated construction.
- 2) When cutting or drilling into wall or ceiling, be careful not to damage electrical wiring or other hidden utilities.
- 3) Ducted fans must be vented to the outside.
  - a) Before servicing or cleaning unit, open the light panel and SWITCH POWER OFF AT SERVICE PANEL.
  - b) Clean fan, baffles/filters and grease laden surfaces frequently. To reduce the risk of fire and to disperse air properly; make sure to vent air outside. DO NOT vent exhaust air into wall spaces, attics, crawl spaces or garages.

NOTE - This warranty is invalid without an authorized agent's receipt or if unit is damaged due to misuse, poor installation, improper use, mistreatment, negligence or any other circumstances beyond the control of KOBE RANGE HOODS authorized agents. Any repair carried out without the supervision of KOBE RANGE HOODS authorized agents will automatically void the warranty.

- KOBE RANGE HOODS will not be held responsible for any damages to personal property or real estate or any bodily injuries whether caused directly or indirectly by the range hood.



**WARNING – TO REDUCE THE RISK OF PERSONAL INJURY IN THE EVENT OF A RANGE TOP GREASE FIRE:**

- 1) Keep fan, baffle/filter, if any, and grease-laden surfaces clean.
- 2) Always turn hood ON when cooking at high heat.
- 3) Use high settings on cooking range ONLY when necessary.
- 4) Do not leave cooking range unattended when cooking.
- 5) Always use cookware and utensils appropriate for the type and amount of food prepared.
- 6) Use this unit only in the manner intended by the manufacturer.
- 7) Before servicing, switch power off at service panel and lock service panel (if possible) to prevent power from switching on accidentally.
- 8) Clean ventilating fans frequently. Grease should not be allowed to accumulate on fan and baffles/filters.

### What to Do In The Event Of a Range Top Grease Fire

- SMOTHER FLAMES with a close fitting lid, cookie sheet, or metal tray, and then turn off the burner. KEEP FLAMMABLE OR COMBUSTIBLE MATERIAL AWAY FROM FLAMES. If the flames do not go out immediately, EVACUATE THE AREA AND CALL THE FIRE DEPARTMENT or 911.
- NEVER PICK UP A BURNING PAN – You May Get Burned.
- DO NOT USE WATER, including wet dishcloths or towels – a violent steam blast will result.
- Use an extinguisher ONLY if:
  - a) You have a Class A, B, C extinguisher and know how to operate it.
  - b) The fire is small and contained in the area where it started.
  - c) The fire department has been called.
  - d) You can fight the fire with your back to an exit.

### What to Do If You Smell Gas

- Extinguish any open flame.
- Do not try to turn on the lights or any type of appliance.
- Open all doors and windows to disperse the gas. If you still smell gas, call the Gas Company and Fire Department right away.

## CAUTION

- 1) For general ventilation use only. Do not use to exhaust hazardous or explosive materials and vapors.
- 2) To reduce the risk of fire, use only metal ductwork.
- 3) Follow the heating equipment manufacturer's guideline and safety standards such as those published by the National Fire Protection Association (NFPA), and the American Society for Heating, Refrigeration and Air Conditioning Engineers (ASHRAE), and code authorities. Activating any switch on may cause ignition or an explosion.

## WARNING



**ELECTRICAL SHOCK HAZARD – Can result in serious injury or death. Disconnect appliance from electric power before servicing. If equipped, the fluorescent light bulb contains small amounts of mercury, which must be recycled or disposed of according to Local, State, and Federal Codes.**

# COMPONENTS OF PACKAGE

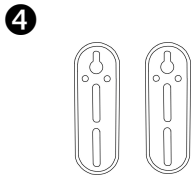
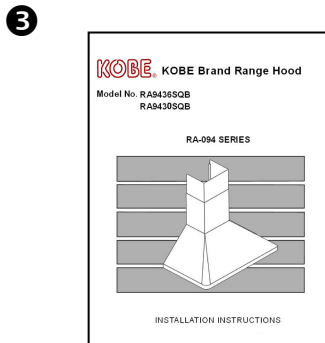
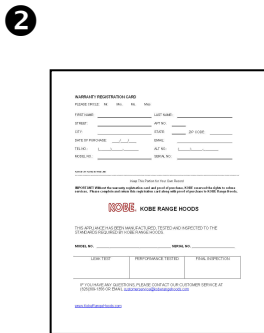
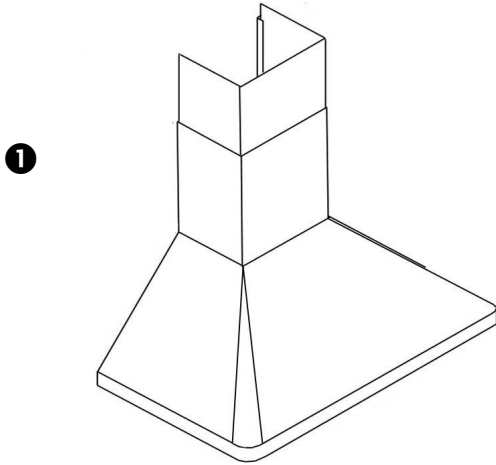
(Must keep all material for returns or refunds)

## Range Hood Box

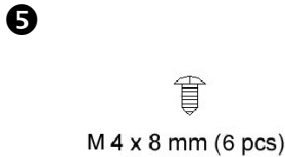
## RA9430SQB

Model No. RA9430SQB  
RA9436SQB

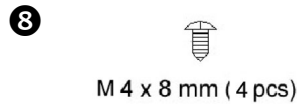
- ① KOBE Range Hood – 1
- ② Warranty Registration Card – 1
- ③ Instructions Manual – 1
- ④ Hood-Mounting Bracket – 2
- ⑤ Screws Package – 1



\*Attached to Hood

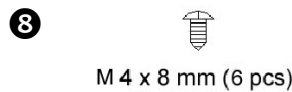


- ⑥ Baffle Filter – 2
- ⑦ Baffle Handle – 2
- ⑧ Screws Package – 1



## RA9436SQB

- ⑥ Baffle Filter – 3
- ⑦ Baffle Handle – 3
- ⑧ Screws Package – 1



## INSTALLATION

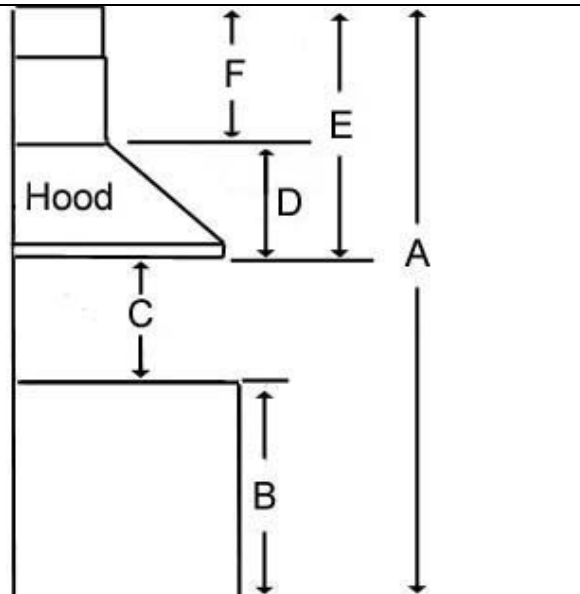
PLEASE READ ENTIRE INSTRUCTIONS BEFORE PROCEEDING

### Calculation before Installation

To calculate the length of the installation, please refer to Table 1. (All calculations are measured in inches.)

**TABLE 1**

A = Height of Floor to Ceiling  
B = Height of Floor to Counter Top  
(Standard: 36")  
C = Preferred Height of Counter Top  
to Hood Bottom (Recommended  
27" to 30")  
D = Height of Hood  
E = Height of the Hood Installation  
[A - (B+C)]  
F = Height of Duct Cover  
[E - D]



### **SAFETY WARNING**

**HOOD MAY HAVE VERY SHARP EDGES; PLEASE WEAR PROTECTIVE GLOVES IF IT IS NECESSARY TO REMOVE ANY PARTS FOR INSTALLING, CLEANING OR SERVICING.**

**NOTE: BE CAREFUL WHEN USING ELECTRICAL SCREWDRIVER, DAMAGE TO THE HOOD MAY OCCUR.**

## Preparation before Installation

**NOTE: TO AVOID DAMAGE TO YOUR HOOD, PREVENT DEBRIS FROM ENTERING THE VENT OPENING.**

- Decide the location of the venting pipe from the hood to the outside. (Figure 1)
- A straight, short venting run will allow the hood to perform more efficiently.
- Try to avoid as many transitions, elbows, and long run as possible. This may reduce the performance of the hood.
- Temporarily wire the hood to test for proper operation before installing. Refer to step 8 & 9 and figure 8 on page 6.
- **Important: Peel any protective film off the hood.**
- Use duct tape to seal the joints between pipe sections.
- If necessary, prepare back wall frame with cross framing lumber for secure installation. Refer to Table 1 and measurements on Page 11 to decide the level of the lumber. (Figure 2)
- Loosen hood-mounting brackets at the back of the hood, adjust brackets and tighten screws as shown in Figure 3.
- If necessary, remove the rubber stand on the back of the hood and discard. (Figure 4)

## Hood Installation

**CAUTION: If it is necessary to move the cooking range to install the hood, be sure to turn off the power on an electric range at the main electrical box. SHUT OFF THE GAS BEFORE MOVING A GAS RANGE.**

1. Using references in Table 1 and measurements on Page 11, mark the leveling locations point for hood-mounting bracket on the wall.
2. Secure two mounting screws (not provided) to the wall, leaving an 1/8" space from the wall. (Figure 5)
3. Align the hood-mounting bracket to the mounting screws on the wall and hang hood into place.

Figure 1

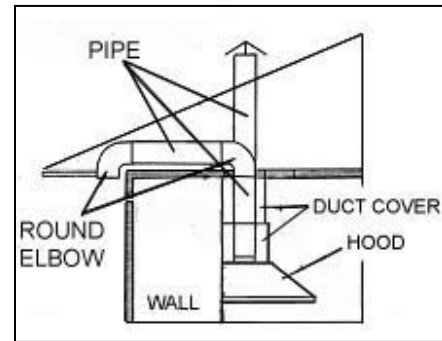


Figure 2

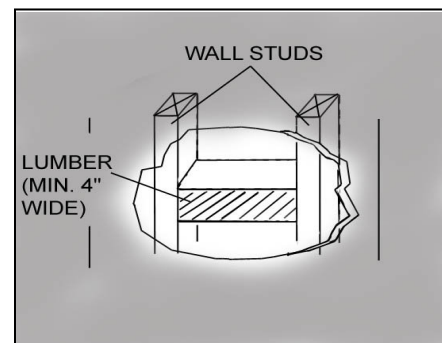


Figure 3

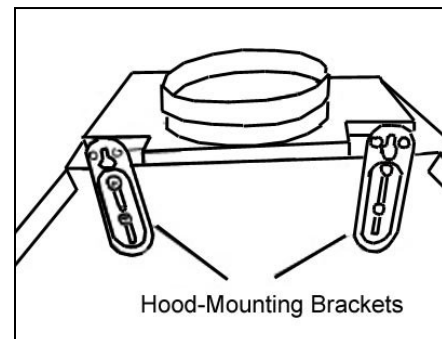
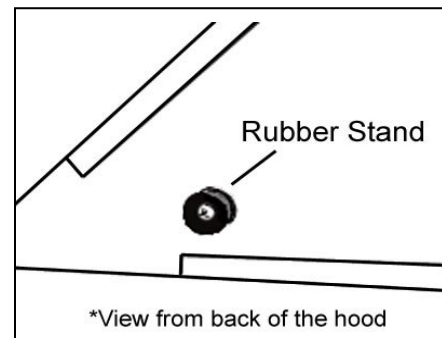


Figure 4



- Secure and tighten the mounting screws.  
CAUTION: MAKE SURE THE HOOD IS SECURE BEFORE RELEASING.

### Ductwork Installation

- Using Reference E from Table 1 and measurements on Page 11, mark the leveling point for duct cover-mounting bracket.
- Secure the duct cover-mounting bracket to the wall with two screws (not provided). (Figure 6) Make sure all screws are tightened. NOTE: Inner duct cover will cover the duct cover-mounting bracket.
- Use aluminum or steel pipe (not provided) to connect the plastic exhaust on the hood to the ductwork above. Use duct tape to ensure all joints are secure and air tight as shown in Figure 7.

### Wiring to Power Supply



### SAFETY WARNING

**RISK OF ELECTRICAL SHOCK. THIS RANGE HOOD MUST BE PROPERLY GROUNDED. MAKE SURE THIS IS DONE BY A SPECIALIZED ELECTRICIAN IN ACCORDANCE WITH ALL APPLICABLE NATIONAL AND LOCAL ELECTRICAL CODES. BEFORE CONNECTING WIRES, SWITCH POWER OFF AT SERVICE PANEL AND LOCK SERVICE PANEL TO PREVENT POWER FROM BEING SWITCHED ON ACCIDENTALLY.**

- Connect three wires (black, white and green) to house wires and cap with wire connectors. Connect according to color: black to black, white to white, and green to green as shown in Figure 8
- Test the operation of the hood before performing the next step. Make sure power is supplied to the hood.

### Duct Cover Installation

- Slide inner duct cover up 2 inches before sliding entire duct cover onto the hood. (Figure 9)
- Align the inner duct cover to the duct cover-mounting bracket. Secure

Figure 5

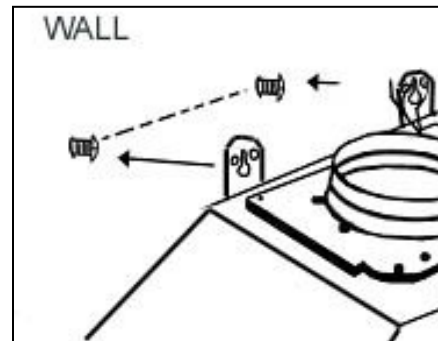


Figure 6

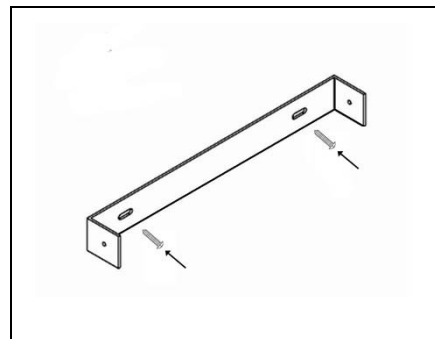


Figure 7

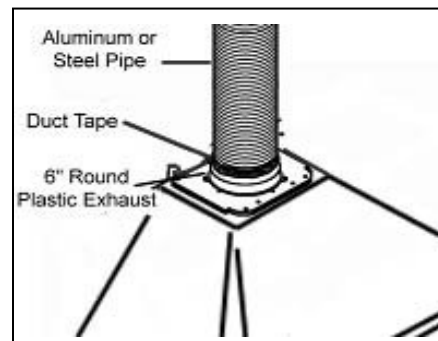
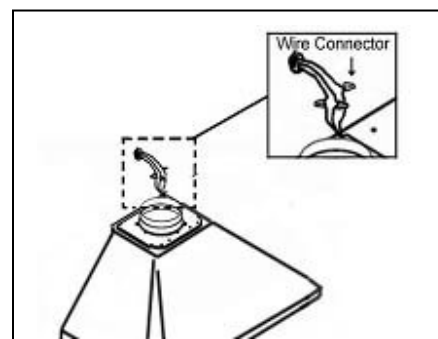


Figure 8





inner duct cover with two (4x8 mm) screws (provided).

12. Fasten outer duct cover to plastic plate on the hood with four (4x8 mm) screws (provided).

### Install Accessories

13. Place baffle filters underneath the hood. Refer to Figure 10.

### Final Assembly

14. Turn power ON in control panel. Check all lights and fan operation.
15. Leave this Installation Instructions and Operation Manual for the homeowner.

Figure 9

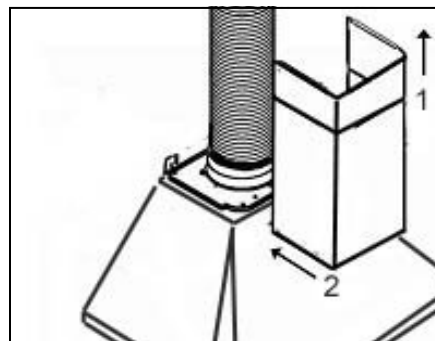
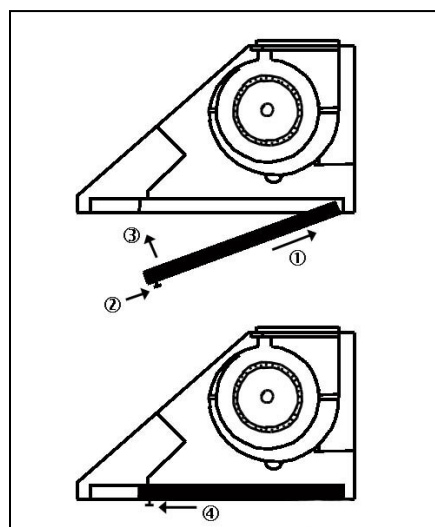


Figure 10

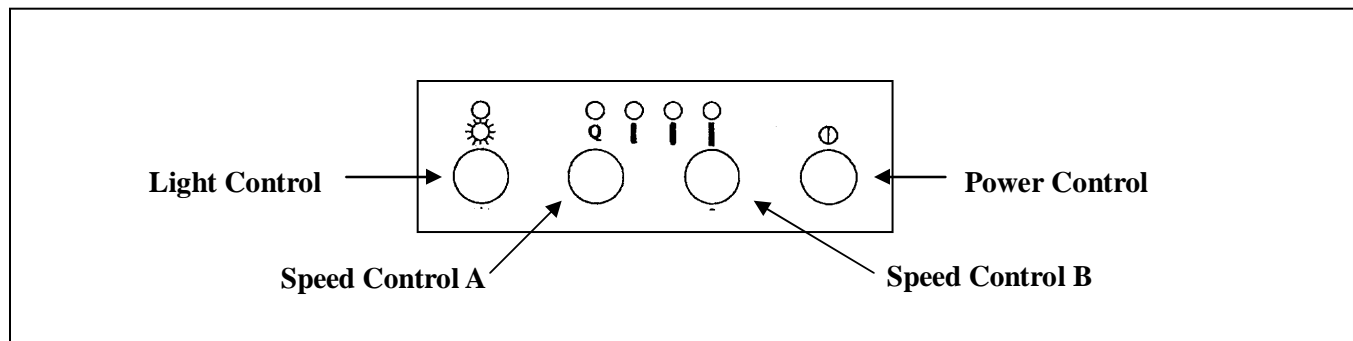


## OPERATION INSTRUCTIONS

This KOBE hood is equipped with four electronic controls with a 10-second standby startup & 30-second delay shutoff, one powerful centrifugal squirrel with baffle filters, and two bright 12-volt 20-watt halogen lights.

The four electronic controls are Light Control, Speed Control A, Speed Control B and the Power Control (On/Off). Refer to Figure 11.

Figure 11



### TURN ON:

- **Press Power Control (On/Off) button once.**  
*(Note: If any control button is not pressed within 10 seconds, power will be automatically turned off).*
- **The KOBE hood will start on Low speed. Each press of the Speed Control button will cycle through the various speeds.**
- **Press Speed Control A button to cycle from Low, Medium, High, or QuietMode™. Press Speed Control B button to cycle from Low, QuietMode™, High or Medium.**  
*(Note: Speed Control A or B will operate both fans.)*
- **Press Light Control button to turn on halogen light.**

### TURN OFF:

- **Press Power Control (On/Off) button once, panel lights will flash and power will be completely shut off after 30 seconds.**  
**OR**
- **Press Power Control (On/Off) button twice, and all power will be completely shut off immediately.**
- **If only the lights are on, pressing Power Control (On/Off) button once will turn power off after 30 seconds.**

## MAINTENANCE

For the optimal level of operation, clean the range hood surface and filters regularly.

### To Clean Hood Surface

**CAUTION: NEVER USE ABRASIVE CLEANERS, PADS, OR CLOTHS.**

Regular care will help preserve your KOBE Range Hood's fine appearance.

1. Use only mild soap or detergent. Dry surface using a soft cloth.
2. If hood looks splotchy (stainless steel hood), use an orange base cleaner to clean the surface of the hood. Avoid getting cleaner on the control switches. Use a damp towel to get rid of any cleaning solution. Use dry soft cloth to dry the hood.
3. To bring the glow back into a stainless steel finish, use a stainless steel cleaner.
4. DO NOT allow deposits to remain for long periods of time.
5. DO NOT use ordinary steel wool or steel brushes. Small bits of steel may adhere to the surface causing rust.
6. DO NOT allow salt solutions, disinfectants, bleaches, or cleaning compounds to remain in contact with stainless steel for extended periods. Many of these compounds contain chemicals, which may be harmful. Rinse with water after exposure and wipe dry with a clean cloth.

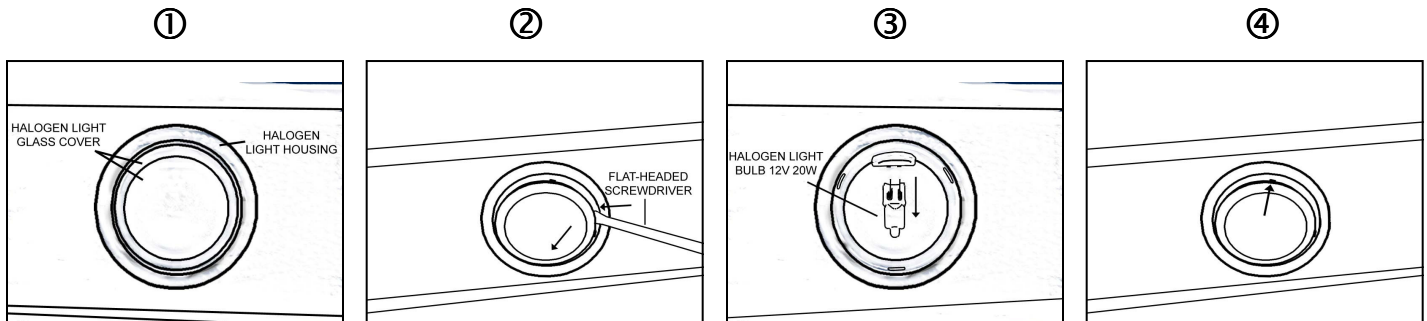
### To Clean Baffle Filter

**CAUTION: DRAIN OIL FROM BAFFLE FILTERS BEFORE OIL OVERFLOW.**

1. Remove all the baffle filters.
2. Wash with warm soapy water. Dry completely before returning into place.  
(Note: Baffle Filters are top rack dishwasher safe.)

### To Replace Light Bulb

**CAUTION: HALOGEN LIGHT UNIT MAY BE HOT!**



1. Make sure all controls are OFF, and range hood is unplugged.
2. Place the flat-head screwdriver into the groove between the halogen light glass cover and light housing.
3. Pop out the halogen light glass covering.
4. Gently pull out the defective light bulb and discard. Light bulbs should be 12V 20W maximum.
5. Using a cloth, hold the new light bulb and push securely into light socket.
6. Return halogen light glass cover to the housing.
7. Turn range hood ON to test for operation.

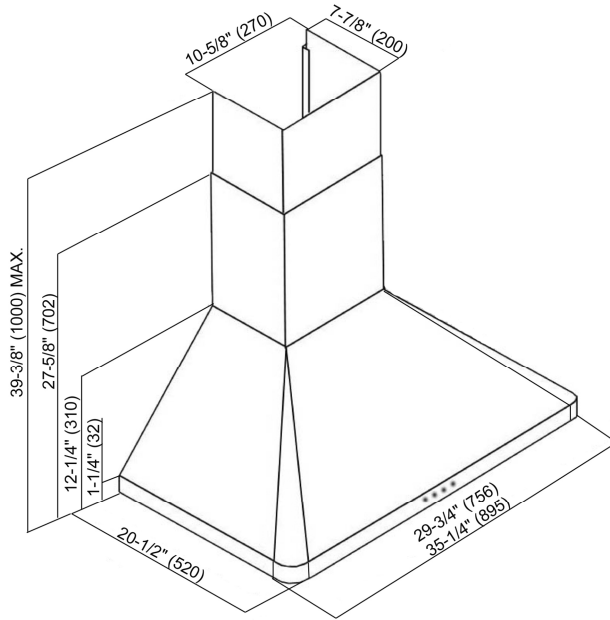
## SPECIFICATIONS

<b>MODEL / SIZE</b>	RA9430SQB / 30" RA9436SQB / 36"			
<b>COLOR</b>	Commercial Grade Stainless Steel			
<b>CONSUMPTION / AMPERE</b>	RA9430SQB - 215W / 1.79A RA9436SQB - 215W / 1.79A			
<b>VOLTAGE</b>	120V 60Hz			
<b>NUMBER OF MOTORS</b>	1			
<b>DESIGN</b>	18-Gauge Seamless / Satin Finish			
<b>MOTOR TYPE</b>	Squirrel Cage			
<b>EXHAUST</b>	Top 6" Round			
<b>CONTROLS</b>	Electronic Control (4 Buttons) – 10-Second Standby Startup 30-Second Delay Shutoff			
<b>HALOGEN LIGHTS</b>	RA9430SQB - 12V 20W x 2 RA9436SQB - 12V 20W x 2			
<b>HOOD DIMENSION (W x D x H)</b>	(RA9430SQB) 29-3/4" x 20-1/2" x 12-1/4" (RA9436SQB) 35-1/4" x 20-1/2" x 12-1/4"			
<b>OPTIONAL ACCESSORIES (W x D x H)</b>	<b>1) Model No. RA0931DC</b> 1-Piece Extension Duct Cover for 9'~10' Ceiling <b>2) Model No. RA0946DC</b> 1-Piece Extension Duct Cover for 10'~11' Ceiling <b>3) Model No. SSP36</b> <b>SSP30</b> 30" Stainless Steel Back Panel (30" x 1/10" x 32") 36" Stainless Steel Back Panel (36" x 1/10" x 32")			
<b>WEIGHT (lbs)</b>	<b>(RA9430SQB)</b>	<b><u>Net</u></b>	<b><u>Gross</u></b>	
	<b>(RA9436SQB)</b>	42.0	62.0	
		46.0	68.0	
<b>SPEED</b>	<b>QuietMode™</b>	<b>Low</b>	<b>Medium</b>	<b>High</b>
<b>Air Capacity (cfm)*</b>	280	420	580	760
<b>Sone</b>	1.2*	2.0	2.8	4.5

\*In House Test Static Pressure "0". HVI Standard.

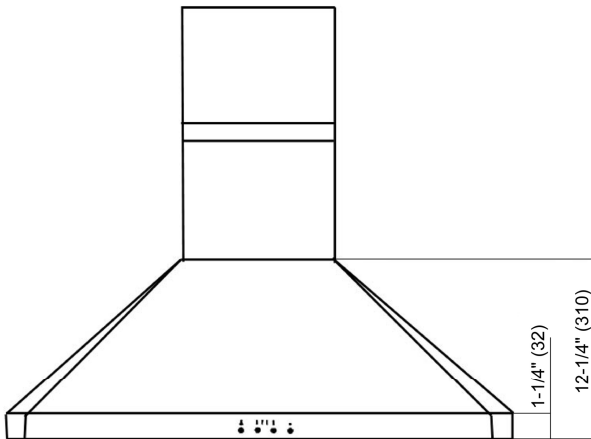
\*\*Specifications information is subject to change without notice.

# MEASUREMENTS & DIAGRAMS

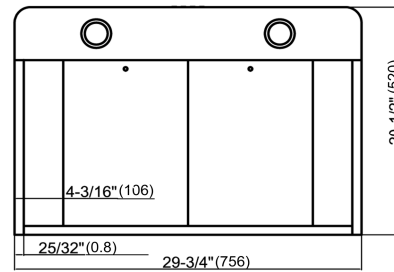


Front View

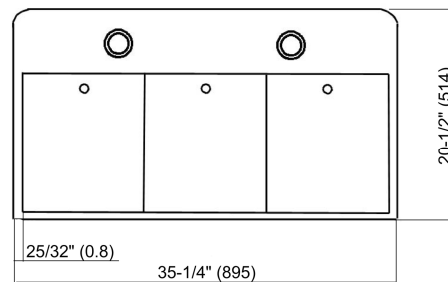
Bottom View



30" Hood



36" Hood

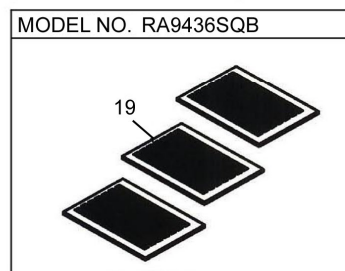
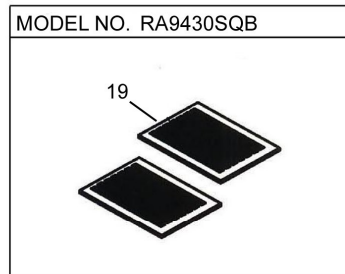
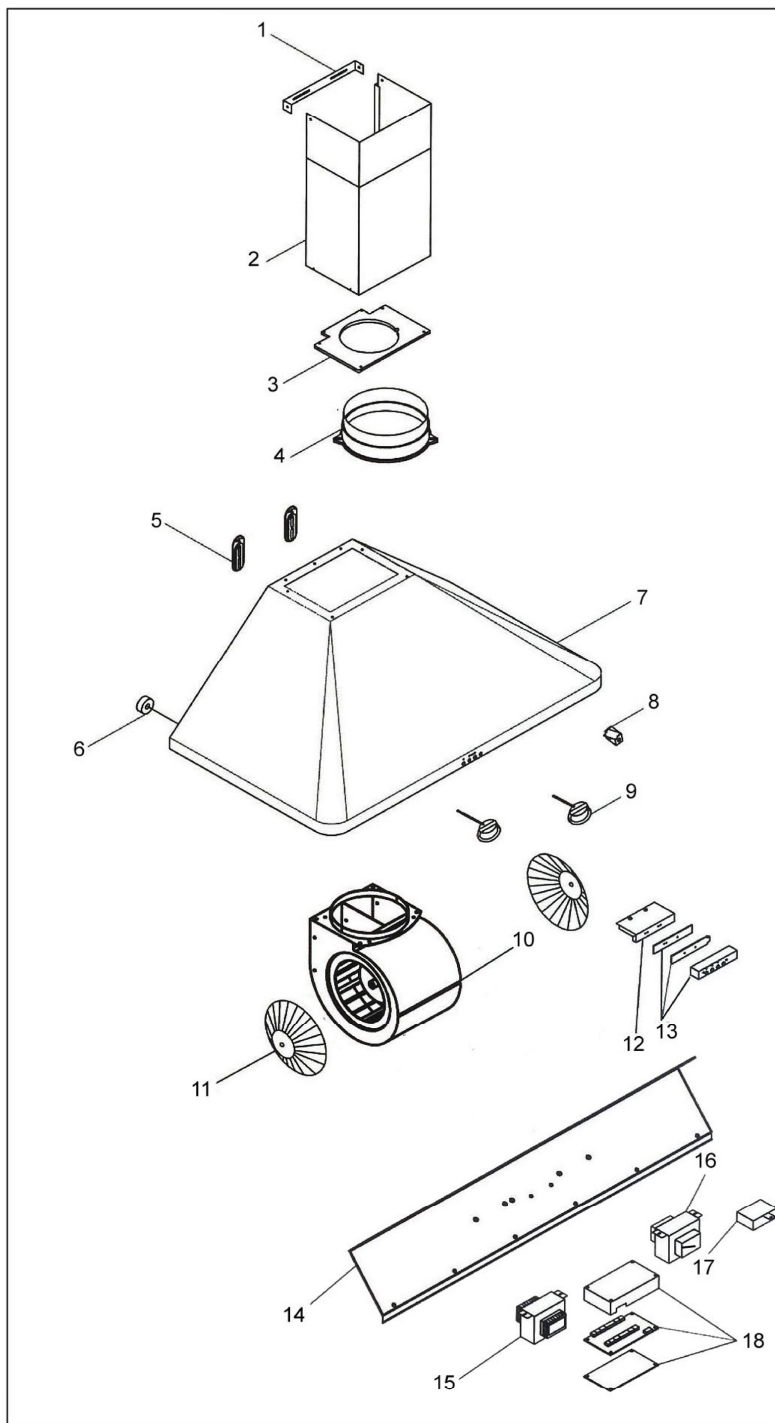


## PARTS LIST

**MODEL NO.: RA9430SQB  
RA9436SQB**

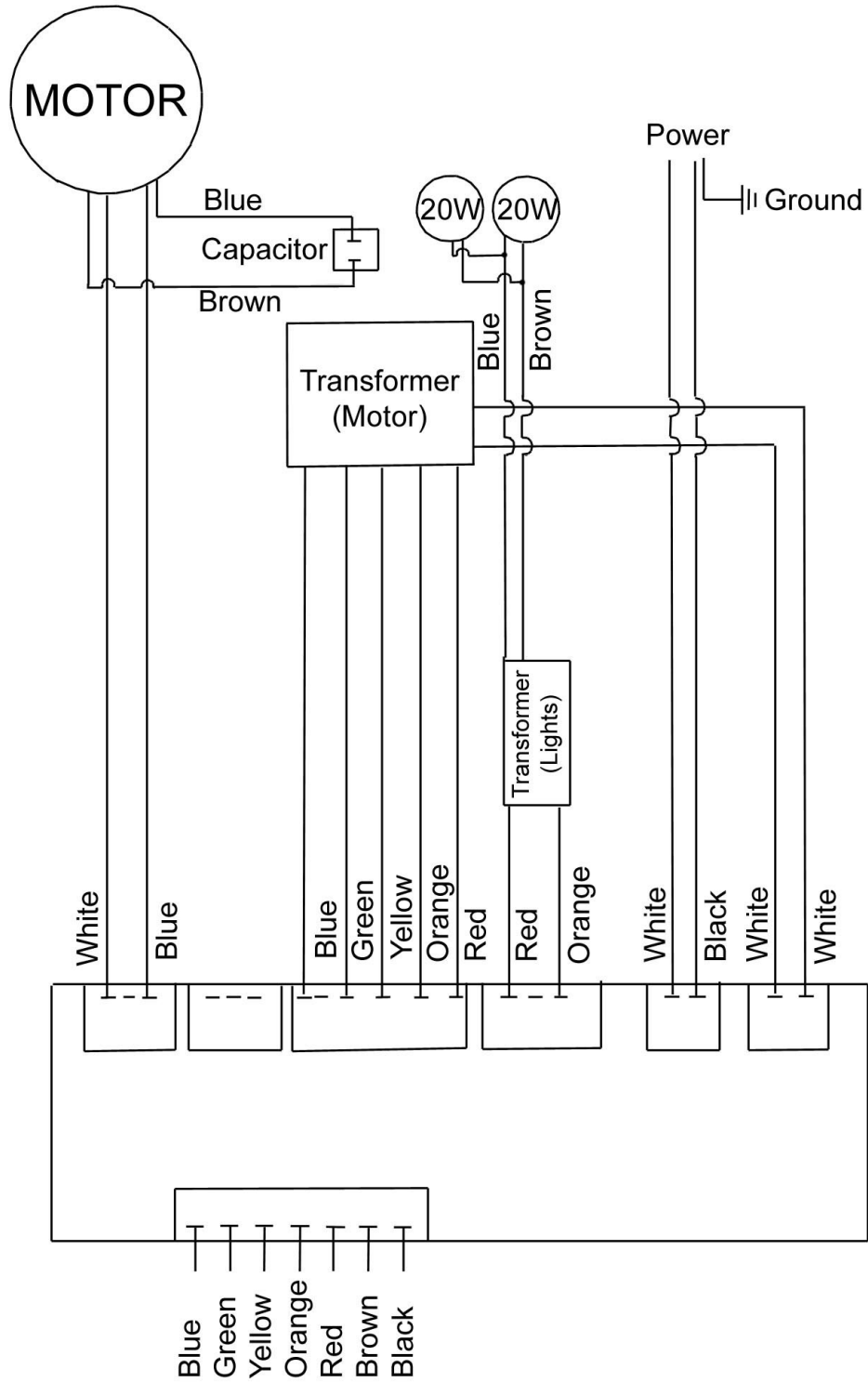
NO.	DESCRIPTION	MODEL / SIZE	PART NO.
1	Duct Cover-Mounting Bracket		C1-0203-0092
2	Duct Cover	RA9236DC	B102-0192
3	Plastic Plate		C1-0506-0092
4	6" round Plastic Exhaust		C1-0505-0001
5	Hood-Mounting Bracket		C1-0221-0001
6	Rubber Stand		C1-0510-0101
7	Hood Casing	RA9430SQB	RA-2530-A
		RA9436SQB	RA-25900-A
8	Wiring Box		C1-0231-2590
9	Halogen Lights (12V 20W)		C1-0403-0001
10	Air Chamber & Motor		C1-0302-A120-01
11	Safety Screen		C1-0602-0103
12	Control Panel Support		C1-0207-2590
13	Control Panel		C1-0404-4001
14	Electric Component Support	RA9430SQB	C1-0201-2530
		RA9436SQB	C1-0201-2590
15	Transformer (Light)		C1-0402-0120-40
16	Transformer (Motor)		C1-0402-A120-01
17	Capacitor		C1-0401-0240-03
18	Processor Board		C1-0404-0401-B
19	Baffle Filter		B101-2590-15

MODEL NO.: RA9430SQB  
RA9436SQB



# CIRCUIT DIAGRAM

MODEL NO.: RA9430SQB  
RA9436SQB





## DISCLAIMER

1. **CAREFULLY INSPECT ALL ITEMS FOR DAMAGES BEFORE ACCEPTING DELIVERY. NOTE ANY DAMAGES ON THE FREIGHT BILL OR EXPRESS RECEIPT. REQUEST NAME AND SIGNATURE OF THE CARRIER'S AGENT AND KEEP COPY TO SUPPORT YOUR CLAIM.**

Upon acceptance of items, owner assumes responsibility for its safe arrival. Report damages to the carrier and file a claim immediately. Failure to do so may result in the denial of your claim. The carrier will furnish you with necessary forms for filing a claim.

**DAMAGES CAUSED DURING TRANSIT ARE NOT COVERED UNDER OUR WARRANTY.**

2. **PLEASE INSPECT CONTENTS OF PACKAGE (S) CAREFULLY UPON RECEIVING!**

We must be notified in writing of any damages and/or missing parts within the allocated days upon your receipt of package(s). Contact your local KOBE dealer or distributor or call KOBE for the time limit.

**CLAIMS WILL NOT BE ACCEPTED AFTER THE ALLOCATED DAYS.**

NOTE: ITEMS WERE THOROUGHLY TESTED AND CAREFULLY PACKED IN OUR FACTORY BEFORE SHIPPING.

3. Products must be returned in good working condition with ALL original parts and documentation packed in ALL original cartons, fillers and shipping cartons. A restocking fee of 25% will be charged for all approved return(s).

**EXCHANGES OR RETURNS MAY NOT BE ACCEPTED IF ANY PACKAGING IS MISSING.**

4. **MAKE SURE TO INSPECT THE HOOD FOR DAMAGES AND DEFECTS BEFORE INSTALLATION.** Appearance flaws of the hood found after installation and not affecting hood performance is not covered under our warranty for returns or exchanges. Service visits not covered under warranty will carry a service charge.

A) Before Installation: Return for exchange or refund (please see above for acceptable returns).

B) After Installation: **NO** exchange or refund.

## **WARRANTY**

### **WARRANTY CERTIFICATE**

KOBE Range Hoods, Inc. warrants all products manufactured or supplied by it to be free from defects in workmanship and materials. Its obligations pursuant to this warranty are limited to a period of two years from the date of purchase and to the repair or replacement at its option and subject to the terms and conditions stated below, of any component part, which its examination shall disclose to be so defective.

### **TWO-YEAR WARRANTY SERVICE PERIOD**

Any covered failure occurring within two years of original purchase arising from defective workmanship or material in manufacture will be repaired (or at our discretion, replaced) free of charge by an authorized KOBE Range Hoods Agent or KOBE Range Hoods as applicable. Keep proof of purchase (or original invoice) handy for inspection.

If the range hood is sold by the original purchaser during the warranty period the new owner is protected until expiration of the original purchaser's warranty.

### **CONDITIONS**

The following conditions apply only in relation to the warranty expressly given in this certificate.

- 1) This warranty applies only:
  - a) within U.S.A. and Canada.
  - b) to range hoods used for PRIVATE SINGLE FAMILY USE (if used for COMMERCIAL or MULTIPLE FAMILY USE or other purposes, warranty will be voided).
- 2) Repair of any fault to be provided under this warranty shall not be provided:
  - a) if the identification number attached to the range hood has been altered, rendered illegible or removed;
  - b) if notice of the defect has not been given within the period applicable;
  - c) for failure of light bulbs or heat lamps;
  - d) for physical damage;
  - e) for surfaces damaged by use of improper chemical cleaning agents;
  - f) if the appliance has been:
    - i) subject to misuse, abuse, negligence, accident, incorrect installation or failure to follow the operating instructions;
    - ii) connected to improper, inadequate or faulty electricity service or exhaust ducts, flues or duct cover, or operated using incorrect or contaminated lubricants;
    - iii) installed, maintained or operated otherwise than in accordance with the instructions furnished by KOBE Range Hoods including the improper use of detergents, bleaches, or cleaners.
  - g) for damage to range hood during transit, delivery, installation or removal;
  - h) for damage by or resulting from attempted repairs conducted by anyone other than our Authorized Service Agent.

- 3) The purchaser shall be responsible for any expenses involved in making the range hood readily accessible for servicing and where the range hood is installed outside the main sales territory of the retailer or service territory of the nearest approved KOBE Range Hoods Agent as applicable, for any traveling expenses and any costs of transporting the range hood or parts thereof to and from the dealer or Service Agent
- 4) The purchaser must produce proof of purchase together with this warranty certificate when making the claim.
- 5) Damages caused during shipment are not covered under our warranty.

### **CONSEQUENTIAL DAMAGE**

The warrantor is not responsible for any consequential damage. SOME STATES DO NOT ALLOW THE EXCLUSION OF CONSEQUENTIAL DAMAGE SO THE ABOVE EXCLUSION MAY NOT APPLY TO YOU.

### **IMPLIED WARRANTIES/STATE LAW**

Any implied warranties, including the implied warranty of merchantability and fitness for purpose, imposed on the sale by the laws of the state of sale are limited to two year from the date of original purchase. Some states do not allow limitations on the duration of implied warranties. This warranty gives you specific legal rights, and may also have rights, which vary from state to state.

### **SERVICE**

For service contact:

KOBE Range Hoods  
10505 Valley Blvd, Suite 302  
El Monte, CA 91731  
U.S.A  
Tel: (626) 350-1355 Fax: (626) 350-1976  
Email: [customer.service@KOBERangeHoods.com](mailto:customer.service@KOBERangeHoods.com)  
Website: [www.KOBERangeHoods.com](http://www.KOBERangeHoods.com)

## PRODUCT REGISTRATION

### Register Your Product!

Any covered failure occurring within two years of original purchase arising from defective workmanship or material in manufacture will be repaired or at our option the unit will be replaced free of charge by an authorized KOBE Range Hoods Agent or KOBE Range Hoods as applicable. Keep proof of purchase (original invoice) handy for inspection.

If the range hood is sold by the original purchaser during the warranty period the new owner is protected until expiration of the original purchaser's warranty. See warranty section for complete warranty coverage information.

This appliance has been manufactured, tested, and inspected to the standards required by KOBE Range Hoods.

### PLEASE MAIL IN YOUR WARRANTY REGISTRATION CARD AND PROOF OF PURCHASE TO:

KOBE Range Hoods  
10505 Valley Blvd Suite # 302  
El Monte, CA 91731 USA

### RECORD THE FOLLOWING INFORMATION FOR YOUR RECORD:

Model No. \_\_\_\_\_

Serial No. \_\_\_\_\_

Purchased Date    \_\_\_\_/\_\_\_\_/\_\_\_\_

Purchased From:

\_\_\_\_\_  
\_\_\_\_\_  
\_\_\_\_\_

**IMPORTANT: PLEASE KEEP A COPY OF YOUR SALE RECEIPT OR INVOICE HANDY WHEN REQUESTING SERVICE.**

**KOBE**<sup>®</sup>

KOBE Range Hoods  
10505 Valley Blvd Suite # 302  
El Monte, CA 91731 USA

<http://www.KOBERangeHoods.com>

This KOBE hood is manufactured for use in the USA and CANADA only. We do not recommend using this hood overseas as the power supply may not be compatible and may violate the electrical code of that country. **Using a KOBE hood overseas is at your own risk and will void your warranty.**

VER.070816

## Free Manuals Download Website

<http://myh66.com>

<http://usermanuals.us>

<http://www.somanuals.com>

<http://www.4manuals.cc>

<http://www.manual-lib.com>

<http://www.404manual.com>

<http://www.luxmanual.com>

<http://aubethermostatmanual.com>

Golf course search by state

<http://golfingnear.com>

Email search by domain

<http://emailbydomain.com>

Auto manuals search

<http://auto.somanuals.com>

TV manuals search

<http://tv.somanuals.com>