



SERVICE MANUAL PARTS LIST

**UPRIGHT VACUUM
CLEANER**

MODELS:

U-40



SERVICIO

KOBLENZ ELECTRICA S. A. DE C. V.
E-mail: thorne_scsm@koblenz-electric.com

JUANARY-2010
LP-U40-201001

INDEX

I.- FINAL TEST FOR PRODUCT SAFETY	3
II.- REPLACEMENT PROCEDURES	3
III.- TROUBLE SHOOTING CHART	5
IV.- UPRIGHT VACUUM CLEANER EXTERNAL PARTS	6
V.- PARTS LIST UPRIGHT VACUUM CLEANER	7
VI.- UPRIGHT VACUUM CLEANER INTERNAL PARTS	8
VII.- PARTS LIST UPRIGHT VACUUM CLEANER	9
VIII.- WIRING DIAGRAM	11

I.-FINAL TEST FOR PRODUCT SAFETY

After repairs the product should be tested on its electrical function and electric strength as follows.

1.-ELECTRIC TEST

1. Set hi-pot test meter at 1500 Volts
2. Place the handles tube to "ON" position
3. Touch one probe of tester to one blade of power cord plug and touch other probe to handle tube, there should be no breakdown.

2.-OPERATING TEST

Run the machine with the height adjustment knob on high and check:

1. There should be no unusual noise or vibration.
2. The carbon brushes spark should be small and uniform.
3. The current should not exceed 9.0 Amps. and 7.0 Amps

II. REPLACEMENT PROCEDURES

1.-TO REMOVE BAG (8), FIG. 1

- 1.1.-Release spring, from handle, slide off coupling unit.

2.-TO REMOVE HANDLE TUBE (2, 9) FIG.1 y FIG.2

- 2.1.-Disengage line cord from hook (5) pulling cord outward from retainer bottom
- 2.2.-Remove screws and nuts (15 and 7) on handle socket (24) and pull tube out.

3.-TO REPLACE BELT (25), FIG.2

- 3.1.-To avoid damage on the cover place the upright upward wheels in a soft surface.
- 3.2.-Remove retaining bar (22) by pressing down on right side (Longest), remove brush rollers cover (23) and assembly turbine cover (43).
- 3.3.-Stretch and twist belt over motor pulley to pull it out. (if not broken)
- 3.4.-Remove complete brush roller (21) with bearing supports (21B and 21E) pulling it out near the bearings.
- 3.5.- Place new belt on roller, replace roller on chassis making sure the mark "top" on bearings support faces towards the brush roller cover and reassemble.

4.-TO REPLACE BRUSH ROLL (21) OR BEARING SUPPORTS FIG. 2.

- 4.1.-Follow steps 3.1 to 3.4.
- 4.2.-Remove bearing support (21-B), pulling away from them brush roller (old or new).
- 4.3.-Place bearing supports on new brush roll, place belt over roll and replace to on chassis following steps 3.5.

5.-TO REPLACE REAR WHEELS (5), FIG.2

- 5.1.-Remove cover (step 7)
- 5.2.-Pull security (6) from axle (41) and axle assembly take out.
- 5.3.-The wheels new replace on the axle.
- 5.4.-Replace Cover

6.-TO REPLACE FRONT WHEELS (14-I), FIG. 3, 4

- 6.1.-Remove cover (step 7)
- 6.2.-Remove screws (7) from axle supports (13) and axle assembly take out.
- 6.3.-Remove axle with wheels
- 6.4.-The wheels new replace on the axle.
- 6.5.-Axle assembly replace on chassis.
- 6.6.-Replace Cover

7.-TO REMOVE THE COVER (2), FIG. 1 AND FIG.2

- 7.1.-Remove the bag (8) (Fig. 1)
- 7.2.-Depress handle release pedal (39) and put on horizontal position the handle tube
- 7.3.-Remove the screw (14) and adjustment knob (1) (Fig.2)
- 7.4.-To avoid damage on the cover place the upright upward wheels in a soft surface, remove the insurance

8.-TO REPLACE MOTOR (51), FIG 2.

- 8.1.-Remove belts follow steps 3.1 to 3.3.
- 8.2.-Remove cover (step 7).
- 8.3.-Remove four screws (4) holding the motor and disconnect it.
- 8.4.-Replace the motor (51)

9.-TO REPLACE HEIGHT ADJUSTMENT CAM (15), FIG.2

- 9.1.-Depress handle release pedal (39) and put on horizontal position the handle tube..
- 9.2.-Remove the screw (14) and the adjustment knob (1)
- 9.3.-Remove the spring and screw (44), to remove the retain cam plate.

10.-TO REPLACE HANDLE RELEASE PEDAL (39) FIG. 2

- 10.1.-Remove cover (step 7)
- 10.2.-Remove spring (40) from chassis
- 10.3.-Pull pedal towards spring side and remove

11.-TO REPLACE YOKE ASSEMBLY (24), FIG.2

- 11.1.-Remove cover (step 7)
- 11.2.-Remove handle release pedal (step 10)
- 11.3.-Remove the bolt yoke (31), along with the security locks (20)

12.-TO REPLACE THE CABLE ASSEMBLY (25), FIG. 2

- 12.1.-Remove cover (step 7)
- 12.2.-Remove Heyco strain relief (26) from chassis with Heyco
- 12.3.-Reassemble with the Hey co pliers making sure to locate the strain relief as it was before.

13.-TO REPLACE THE ON - OFF SWITCH (48), FIG. 2

- 13.1.-Remove cover (step 7)
- 13.2.-Disconnect the electrical terminal from the switch.
- 13.3.-Press the side tabs on the switch and pull it out.
- 13.4.-Press the new switch on the opening until the tabs snaps and reconnects the terminal.

14.-TO REPLACE THE SWITCH ACTUATOR (50), FIG.2

- 14.1.-Remove cover (step 7)
- 14.2.-Of the actuator assembly remove the yoke (24).
- 14.3.-Replace the new actuator and assembly.

15.-MOTOR SERVICING,

The only possible motor repairs are: Replace carbon brushes, replace armature, replace field.
Never try to repair the field or armature, if defective, replace with a new one.

WHEN ORDERING, DO NOT FORGET TO SPECIFY:

- ✓ **PART NUMBER**
- ✓ **DESCRIPTION**
- ✓ **MODEL NUMBER**

NOTE: Drawing numbers are for identification purposes only.

III.-TROUBLE SHOOTING CHART.

PROBLEM	POSSIBLE CAUSE	SOLUTION
A) Motor does not work	1.- Not firmly plugged in.	1.- Check attachment plug.
	2.- Bad ON-OFF switch.	2.- Replace switch.
	3.- Line cord open	3.- Replace cord.
	4.- Motor open	4.- Check motor and wiring.
	5.- Fan blockage by material	5.- Remove obstruction
B) Motor works but cleaner does not aspire	1.- Belt broken.	1.- Replace belt.
	2.- Blockage air system.	2.- Remove obstruction.
	3.- Fan broken.	3.- Replace fan.
	4.- Worn brush roller.	4.- Replace brush roller.
	5.- Motor slow.	5.- Check carbon brushes.
	6.- Bag full.	6.- Empty bag (or change paper bag).
C) Motor works erratically	1.- Worn carbon brushes.	1.- Replace brushes.
	2.- Detective armature.	2.- Check spark, replace
	3.- Bad electrical connection.	3.- Check wiring.
	4.- Detective On-Off switch.	4.- Replace switch.
D) Brush roll vibrates.	1.- Ball bearing worn out..	1.- Replace
	2.- Ball bearing holder damaged	2.- Replace ball bearing holder.
E) Head light does not run on	1.- Bad connections.	1.- Check wiring.
	2.- Light bulb burned out.	2.- Replace bulb.

IV.-UPRIGHT VACUUM CLEANER EXTERNAL PARTS

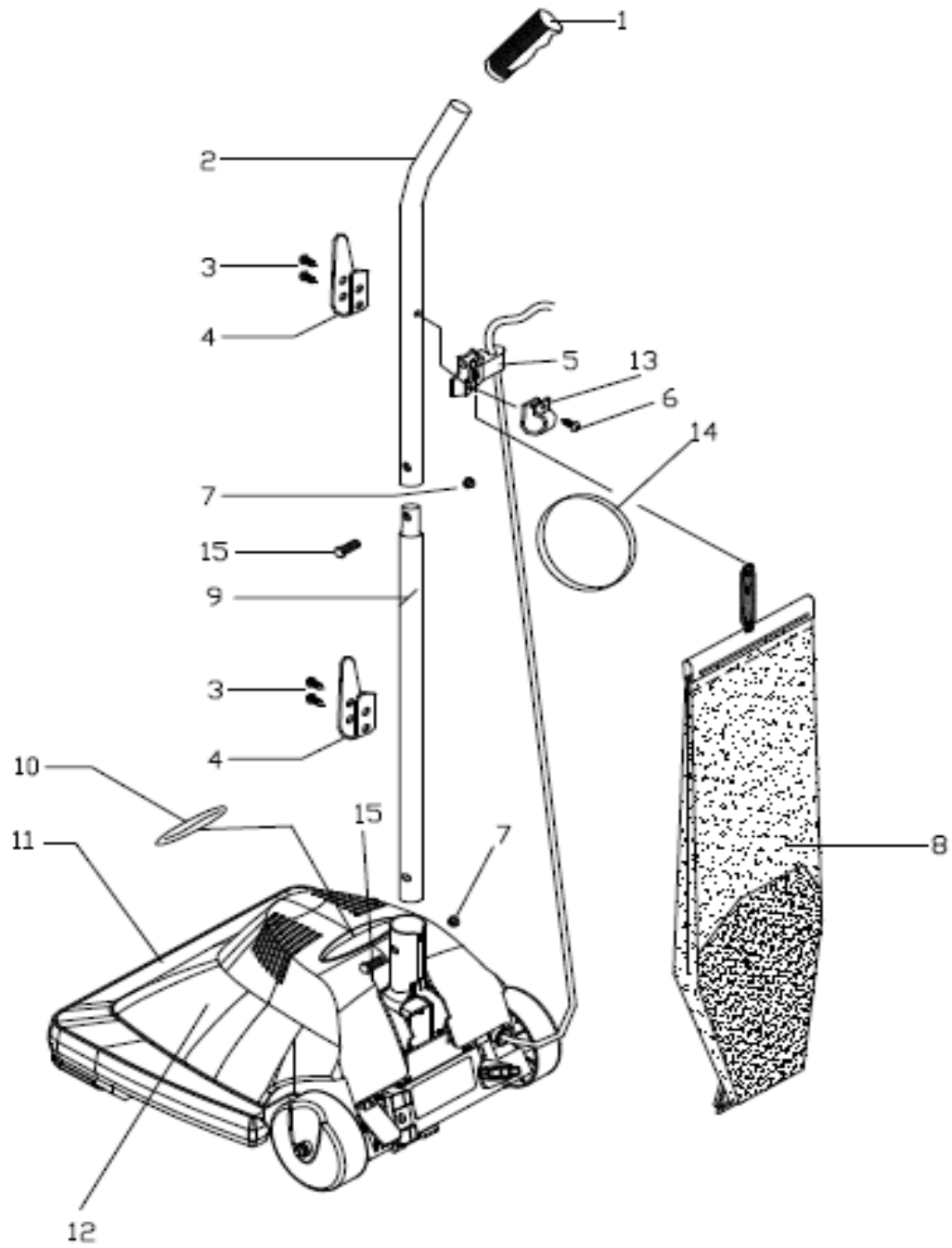


FIG. 1

V.-PARTS LIST UPRIGHT VACUUM CLEANER

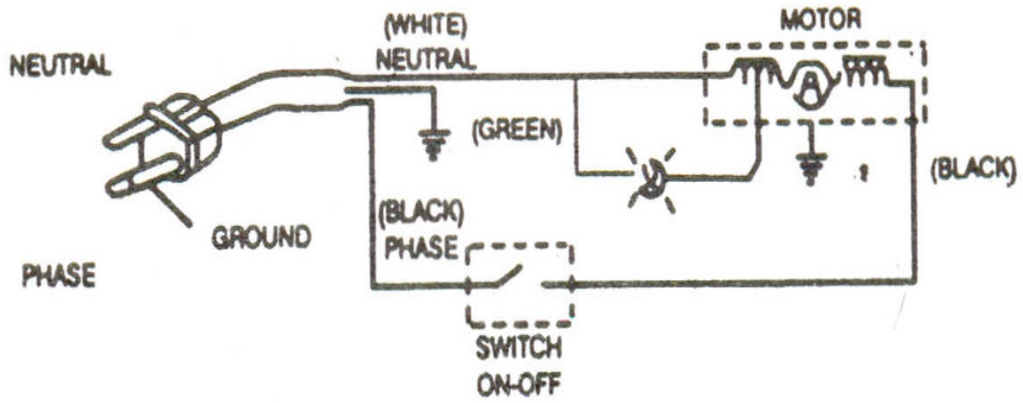
ITEM	No. PART	QTY	DESCRIPTION
1	13-0947-5	1	HANDLE GRIP
2	05-4091-01-2	1	BLACK TUBE TOP U-75
3	01-0290-5	4	SCREW 10 X 3/8
4	05-4089-01-6	2	CORD HOOK
5	13-1462-4	1	HOOK LINE CABLE
6	01-0283-0	1	SCREW 8 X 1/2
7	02-0141-8	2	NUT
8	46-3231-1	1	PERMANENT BLACK CLOHT
9	05-4090-01-4	1	LOWER HANDLE BLACK
10	17-5071-0	1	LABEL COVER UPRIGHT
11	13-2883-01-8	1	PLASTIC CHASSIS
12	13-2949-01-7	1	PLASTIC COVER UPRIGHT
13	13-0304-9	1	CORD RETAINER
14	12-0814-9	1	BELT 210 X 13 7/16-83A
15	01-2034-01-3	2	SCREW HANDLE

VII.-PARTS LIST UPRIGHT VACUUM CLEANER

ITEM	No PART	QTY	DESCRIPTION
1	13-3147-9	1	KNOB CAM
2	13-2949-01-7	1	PLASTIC COVER UPRIGHT U-40
3	12-0936-0	1	BAFFLE
4	01-15006	4	SCREW B 10-16X3/4
5	13-3144-6	2	REAR WHEEL
6	04-0671-0	2	BLIND SECURITY TYPE HAT
7	01-1499-1	6	SCREW HEX No 10-16X5/8
8	01-0664-1	2	SCREW 10X5/8
9	04-0589-4	3	FLAT WASHER 5/16x1/2
10	24-0308-7	1	FRONT AXLE SPRING
11	13-3143-8	2	FRONT WHEEL
12	05-4489-0	3	RETEN PLATE SHAFT
13	25-1349-02-3	1	FRONT AXLE GALVANIZED
14	01-1651-7	1	SCREW TYPE BT No 6
15	46-3206-3	1	CAM ASSEMBLY
15-A	05-4722-4	1	CAM UPRIGHT
15-B	25-1345-5	1	BOLT FOR CAM
16	01-0093-3	2	SCREW No 6 X 5/8 TYPE BC/PHILLIPS
17	05-4721-6	1	RETEN CAM PLATE
18	13-2883-01-8	1	PLASTIC CHASSI U-40
19	12-0952-7	1	UPRIGHT FOR PLASTIC MOLDING
20	04-0469-9	1	SECURITY PADLOCK PO-25
21	46-2375-7	1	BRUSH ROLL ASSEMBLY
21-A	12-0522-8	1	PACKING FOR CARRIER BEARING
21-B	13-1801-3	1	CARRIER BEARING LEFT
21-C	37-0130-7	2	FELT FOR CARRIER BEARING
21-D	45-0299-3	1	ROLLER ASSEMBLY SOWS
21-E	13-1252-9	1	CARRIER BEARING 11/16
22	25-0997-4	1	RETEN ROD ROLLER COVER
23	46-3207-1	1	ROLLER ASSEMBLY COVER TILT
24	46-3433-3	1	SWITCH-ACTUATOR YOKE ASSEMBLY
25	28-1644-01-3	1	CABLE ASSEMBLY LINE U-40
26	12-0953-5	1	GROMET HEYCO 1232
27	02-0041-0	3	NUT HEX. No 10-24
28	04-0271-9	5	STAR WASHER No 10X204
29	05-4734-02-5	1	CHROME YOKE
30	46-3260-0	1	SUPPORT YOKE BUSHING ASSEMBLY
30-A	13-3148-7	2	YOKE BUSHING
30-B	05-4725-7	1	SUPPORT YOKE
31	25-1346-3	1	PIN FOR YOKE
32	12-0495-01-5	1	PACKING SEAL MOTOR BASE
33	01-0285-5	2	SCREW DE 8x3/4
34	13-2126-4	1	KNOB FOR EXCHANGE COUPLINGS
35	26-0001-3	1	FORK BULLETS LOCA
36	24-0014-1	1	KNOB SPRING FOR SWEEPER
37	04-0026-7	1	FLAT WASHER (02-0101)
38	13-2127-2	1	COUPLINGS RETEN BAG
39	05-4724-02-6	1	PEDAL HANDLE GALVANIZED
40	24-0316-0	1	PEDAL SPRING HANDLE UPRIGHT

ITEM	No PART	QTY	DESCRIPTION
41	25-1322-4	1	REAR WHEEL AXLE
42	05-4993-1	1	ANGLE FOR SOIL
43	46-3208-9	2	TURBINE COVER WITH SEAL ASSEMBLY
43-A	13-3145-3	1	TURBINE COVER
43-B	12-0834-7	1	TURBINE SEAL COVER GASKET
44	01-0270-7	2	SCREW 6X3
45	01-1683-0	1	SCREW TYPE T 8-32
46	05-0997-6	1	MOTOR SPACER
47	10-0137-9	1	STAPLE INSULATED CONNECTOR
48	11-0159-1	1	ROCKER SWICTH
49	12-0814-01-7	1	BELT 210 X 13 7 / 16 83 A
50	13-3273-3	1	ACTUATOR SWITCH
51	46-3383-0	1	MOTOR UPRIGTH 5A
52	28-1664-3	1	CABLE ASSEMBLY GROUND
52-A	09-1319-4	2	CABLE GREEN EARTH
52-B	30-0197-1	3	CONNECTION TERMINAL A

VIII.-WIRING DIAGRAM





FACTORY AUTHORIZED SERVICE

Thorne Electric Company

610 Lanark Suite 205

San Antonio TX, 78218

Tel. (210) 590-1226

Fax (210)590-1258

1-800-548-5741

FACTORY

KOBLENZ ELECTRICA S.A. DE C. V.

Av. Ciencia N.28

Cuautitlán Izcalli

Estado de México C. P. 54730

Web site : <http://www.koblenz.com.mx>

KOBLENZ ELECTRICA S.A. DE C. V.

[E-: thorne_scsm@koblenz-electric.com](mailto:thorne_scsm@koblenz-electric.com)

JUANARY-2010

LP-U40-201001

Free Manuals Download Website

<http://myh66.com>

<http://usermanuals.us>

<http://www.somanuals.com>

<http://www.4manuals.cc>

<http://www.manual-lib.com>

<http://www.404manual.com>

<http://www.luxmanual.com>

<http://aubethermostatmanual.com>

Golf course search by state

<http://golfingnear.com>

Email search by domain

<http://emailbydomain.com>

Auto manuals search

<http://auto.somanuals.com>

TV manuals search

<http://tv.somanuals.com>