



SERVICE MANUAL PARTS LIST

UPRIGHT VACUUM CLEANER

MODELS:

U-80

U-90



SERVICE

KOBLENZ ELECTRICA S. A. DE C. V.
E-mail: thorne_scsm@koblenz-electric.com

DECEMBER -2010
LP-U80U90-201012

INDEX

I.- FINAL TEST FOR PRODUCT SAFETY	3
II.- REPLACEMENT PROCEDURES	3
III.- TROUBLE SHOOTING CHART	5
IV.- WIRING DIAGRAM	6
V.- ELECTRICAL RATING	6
VI.- EXTERNAL PARTS FOR UPRIGHT VACUUM CLEANER PARTS U-80	7
VII.- EXTERNAL PARTS FOR UPRIGHT VACUUM CLEANER PARTS U-90	8
VIII.- EXTERNAL PARTS LIST FOR UPRIGHT VACUUM CLEANER U-80 & U-90	9
IX.- PARTS LIST FOR UPRIGHT VACUUM CLEANER U-80	10
X.- LIST PARTS UPRIGHT VACUUM CLEANER U-80	11
XI.- INTERNAL PARTS FOR UPRIGHT VACUUM CLEANER U-90	12
XII.- PARTS LIST FOR UPRIGHT VACUUM CLEANER U-90	13

I.-FINAL TEST FOR PRODUCT SAFETY

At the completion of any repairs the product should be electrically tested for operating and electric strength as follows.

1.-ELECTRIC TEST

1. Set hi-pot test meter at 1500 Volts
2. Lower product handle to "ON" position
3. Place one probe of tester to one blade of the power cord plug and place the other probe to the handle tube, there should be no breakdown.

2.-OPERATING TEST

Run the machine with the height adjustment knob on high position and check.

1. There should be no unusual noise or vibration.
2. The carbon brushes spark should be small and uniform.
3. The current should not exceed 7.0 Amps

II. REPLACEMENT PROCEDURES

1.-TO REMOVE BAG

- 1.1.-Release spring, from handle, slide off coupling unit.

2.-TO REMOVE HANDLE TUBE (2 AND 8) FIG.1 AND FIG.3

- 2.1.-Pull out the line cord from the cord retainer (5)
- 2.2.-Remove the nut and screw (14,15 AND 7) and pull out the tube.

3.-TO REPLACE BELT (49), FIG.2 AND FIG.4.

- 3.1.-Turn the upright upwards.
- 3.2.-Remove the bottom plate (23)and the fan cover by pressing and releasing one side of the retaining shaft(22)
- 3.3.-Pull and twist the belt over the pulley to remove it.
- 3.4.-Pull the brush roll (21) from the ends to take it out of the chassis.
- 3.5.-First, place the new belt on the brush roll, then place brush roll in the chassis, put the belt on the pulley verifying that the belt is in the right position,. Finally, assemble the fan cover and bottom plate.

4.-TO REPLACE BRUSH ROLL (21) OR BEARING SUPPORTS FIG. 2 AND FIG.4.

- 4.1.-Follow steps 3.1 to 3.4.
- 4.2.-Remove the supports by pulling them out.
- 4.3.-Replace the new brush roll as indicated in item number 3.5.

5.-TO REPLACE REAR WHEELS (5), FIG.2 AND FIG.4.

- 5.1.-Remove the cover(2) as described in procedure number 7.
- 5.2.-Pull washer cap retainer (6) from rear wheel hub (41) and remove the wheels.
- 5.3.-Replace the new wheels by placing the washers (9), the wheels as well as the padlocks.
- 5.4.-Place the cover back in position.

6.-TO REPLACE FRONT WHEELS (11), FIG.2 AND FIG.4.

- 6.1.-Remove cover (2) as described in procedure number 7.
- 6.2.-Remove screws (7) from the front axle retainer and the front axle spring (10).
- 6.3.-Take out front axle with the wheels.
- 6.4.-Remove the old wheel and place the new wheels..
- 6.5.-Replace the axle, the retainers and the spring.
- 6.6.-Place the cover back in position.

7.-TO REMOVE THE COVER (2), FIG.2 AND FIG.4.

- 7.1.-Remove the bag assy as described in procedure number 1.
- 7.2.-Release and lower the handle(39) to a horizontal position.
- 7.3.-Unscrew and pull out the height adjustment knob (1).
- 7.4.-Turn around the upright be careful not to scratch the cover.
- 7.5.-Use a flat screwdriver to release the snaps of the cover hood in the chassis(18)

8.-TO REPLACE MOTOR (51), FIG.2 AND FIG.4.

- 8.1.-Unplug the machine.
- 8.2.-Remove belt follow steps 3.1 to 3.3.
- 8.3.-Remove cover (step 7).
- 8.4.-Remove the four screws (4) that hold the motor and disconnect it.
- 8.5.-Replace the motor (51)

9.-TO REPLACE HEIGHT ADJUSTMENT LEVER (15), FIG.2 AND FIG.4

- 9.1.-Release pedal lower the handle(39) and place the handle tube in horizontal position.
- 9.2.-Remove the screw (14) and the adjustment knob (1)
- 9.3.-Remove the spring(10) and screw (44), to remove the retain for lever(17).

10.-TO FOOT RELEASE PEDAL (39) FIG.2 AND FIG.4

- 10.1.-Remove cover (step 7)
- 10.2.-Remove spring (40) from chassis
- 10.3.-Pull pedal towards spring side and remove

11.-TO REPLACE YOKE ASSEMBLY (54), FIG.2 AND FIG.4

- 11.1.-Remove cover (step 7)
- 11.2.-Remove foot pedal (step 10)
- 11.3.-Remove the yoke bolt (31), along with the security locks (20)

12.-TO REPLACE THE LINE CORD ASSEMBLY (25), FIG.2 AND FIG.4

- 12.1.-Remove cover (step 7)
- 12.2.-Remove strain relief (26) from chassis with strain relief pliers
- 12.3.-Reassemble with the strain relief pliers making sure to locate the strain relief as it was before.

13.-TO REPLACE THE ON - OFF SWITCH (48), FIG.2 AND FIG.4.

- 13.1.-Remove cover (step 7)
- 13.2.-Disconnect the electrical terminal from the switch.
- 13.3.-Press the side tabs on the switch and pull it out.
- 13.4.-Place and push the new switch into the opening until the tabs snap in and reconnect the terminal.

WHEN ORDERING, DO NOT FORGET TO SPECIFY:

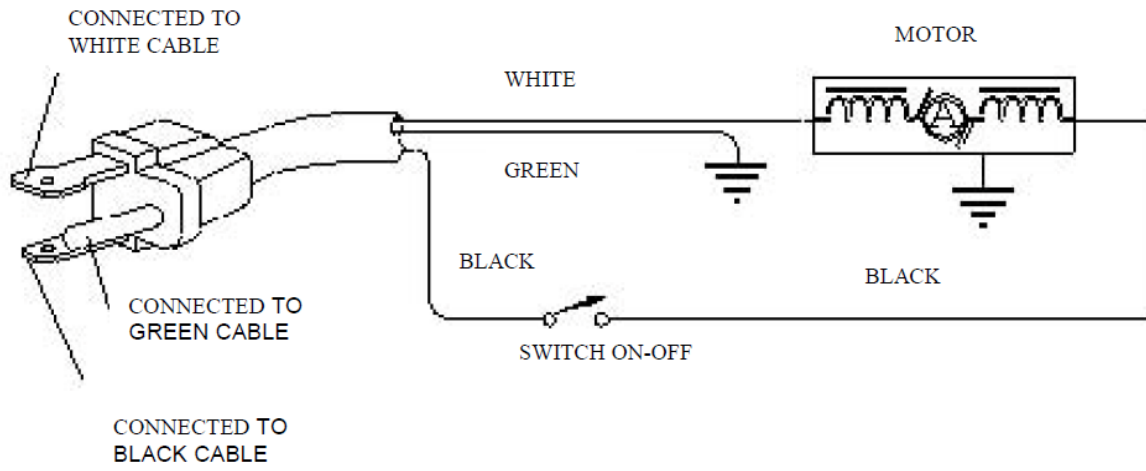
- ✓ **PART NUMBER**
- ✓ **DESCRIPTION**
- ✓ **MODEL NUMBER**

NOTE: Drawing numbers are for identification purposes only.

III.-TROUBLE SHOOTING CHART.

PROBLEM	POSSIBLE CAUSE	SOLUTION
A) Motor does not work	1.- Not firmly plugged in.	1.- Check attachment plug.
	2.- Bad ON-OFF switch.	2.- Replace switch.
	3.- Line cord open	3.- Replace cord.
	4.- Motor open	4.- Check motor and wiring.
	5.- Fan blockage by material	5.- Remove obstruction
B) Motor works but cleaner does not pick up/has suction	1.- Belt broken.	1.- Replace belt.
	2.- Blockage air system.	2.- Remove obstruction.
	3.- Fan broken.	3.- Replace fan.
	4.- Worn brush roller.	4.- Replace brush roller.
	5.- Motor slow.	5.- Check carbon brushes.
	6.- Bag full.	6.- Empty bag (or change paper bag).
C) Motor works incorrectly	1.- Worn carbon brushes.	1.- Replace brushes.
	2.- Detective armature.	2.- Check spark, replace
	3.- Bad electrical connection.	3.- Check wiring.
	4.- Detective On-Off switch.	4.- Replace switch.
D) Brush roll vibrates.	1.- Ball bearing worn out..	1.- Replace
	2.- Ball bearing holder damaged	2.- Replace ball bearing holder.

IV.-WIRING DIAGRAM



V.-ELECTRICAL RATING

AMPERES	VOLTS	HZ
7	120	60

VI.- EXTERNAL PARTS UPRIGHT VACUUM CLEANER U-80

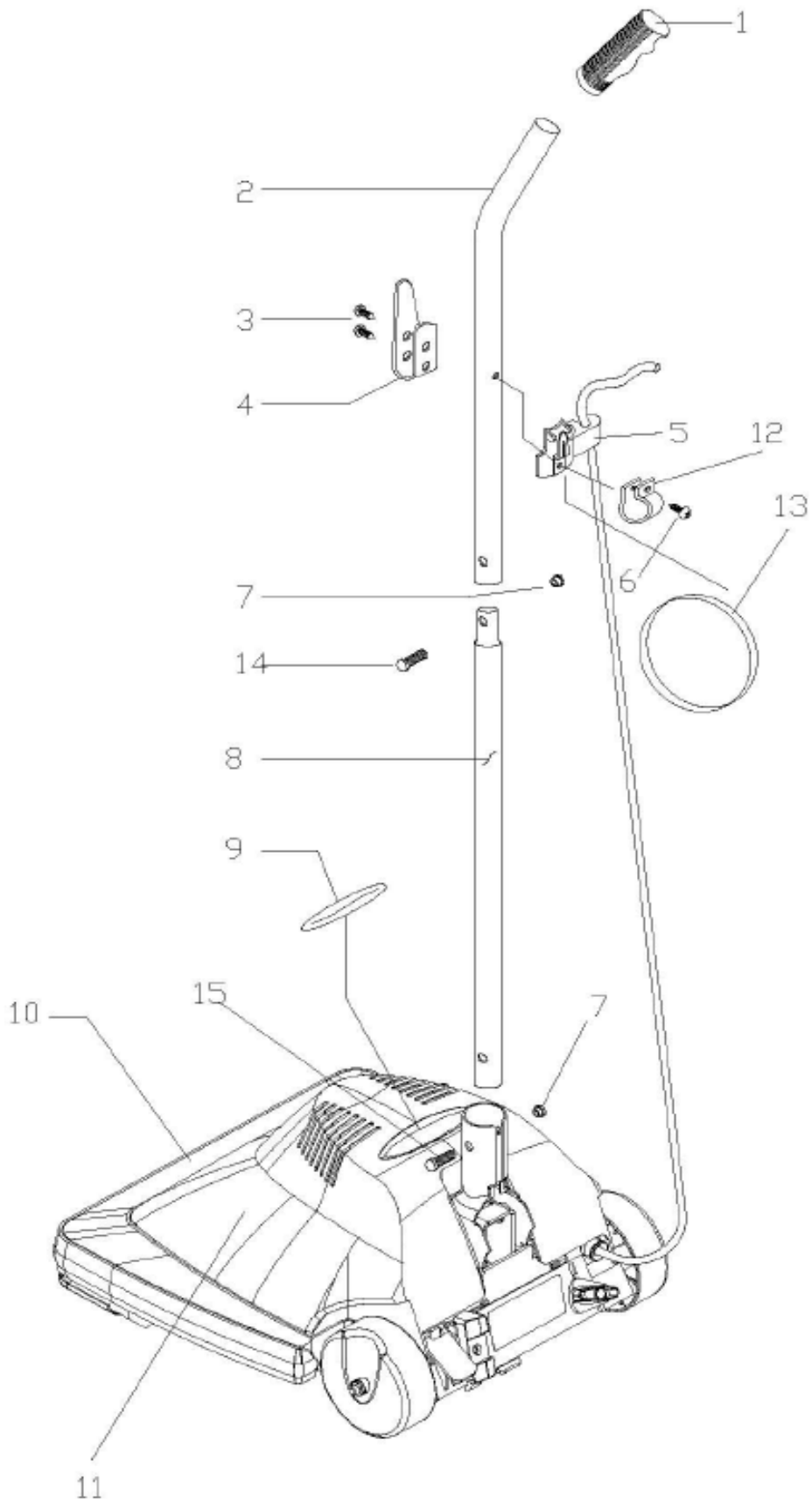


FIG.1.

VII.- EXTERNAL PARTS UPRIGHT VACUUM CLEANER U-90

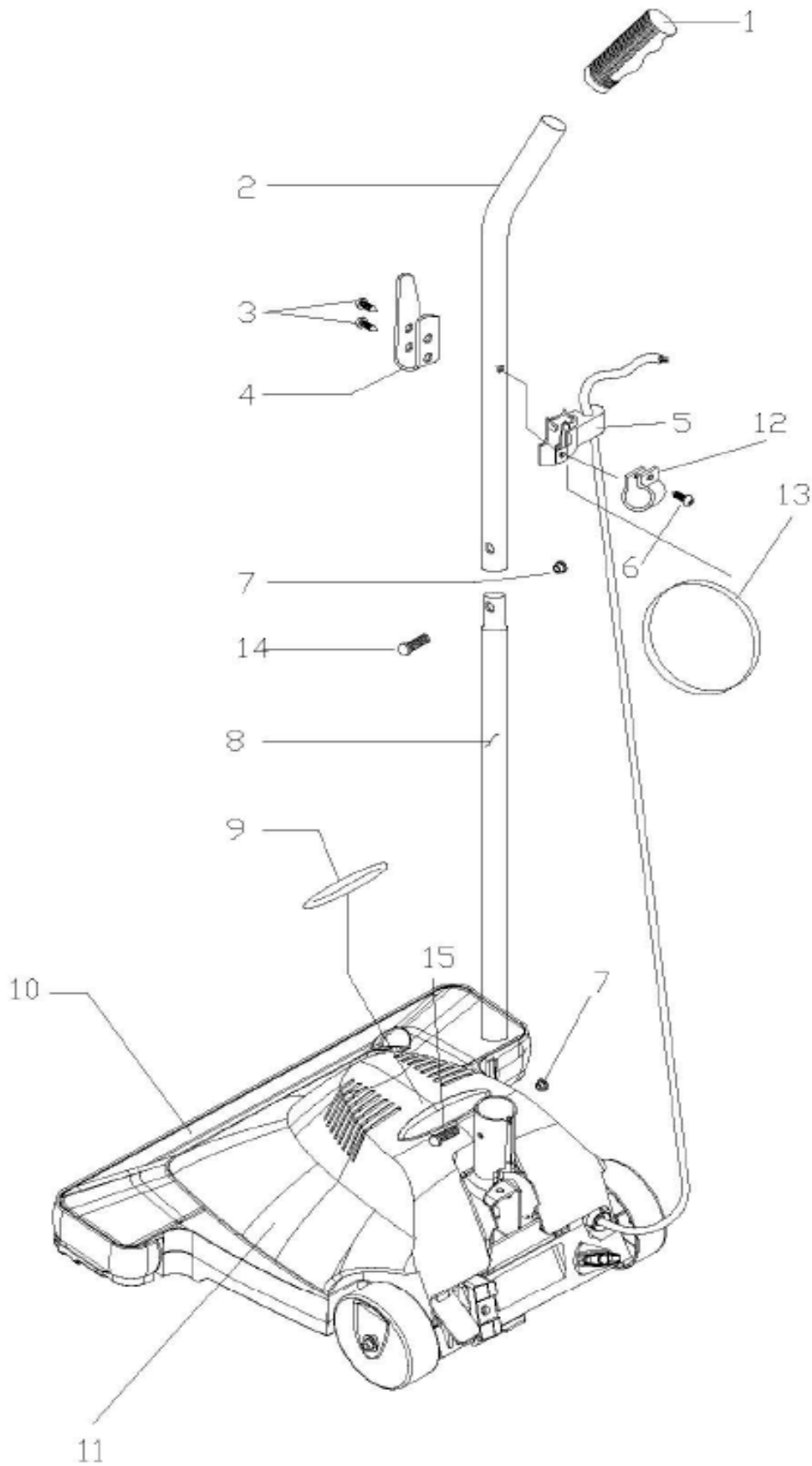


FIG.2

VIII.-LIST EXTERNAL PARTS UPRIGHT VACUUM CLEANER U-80 AND U-90

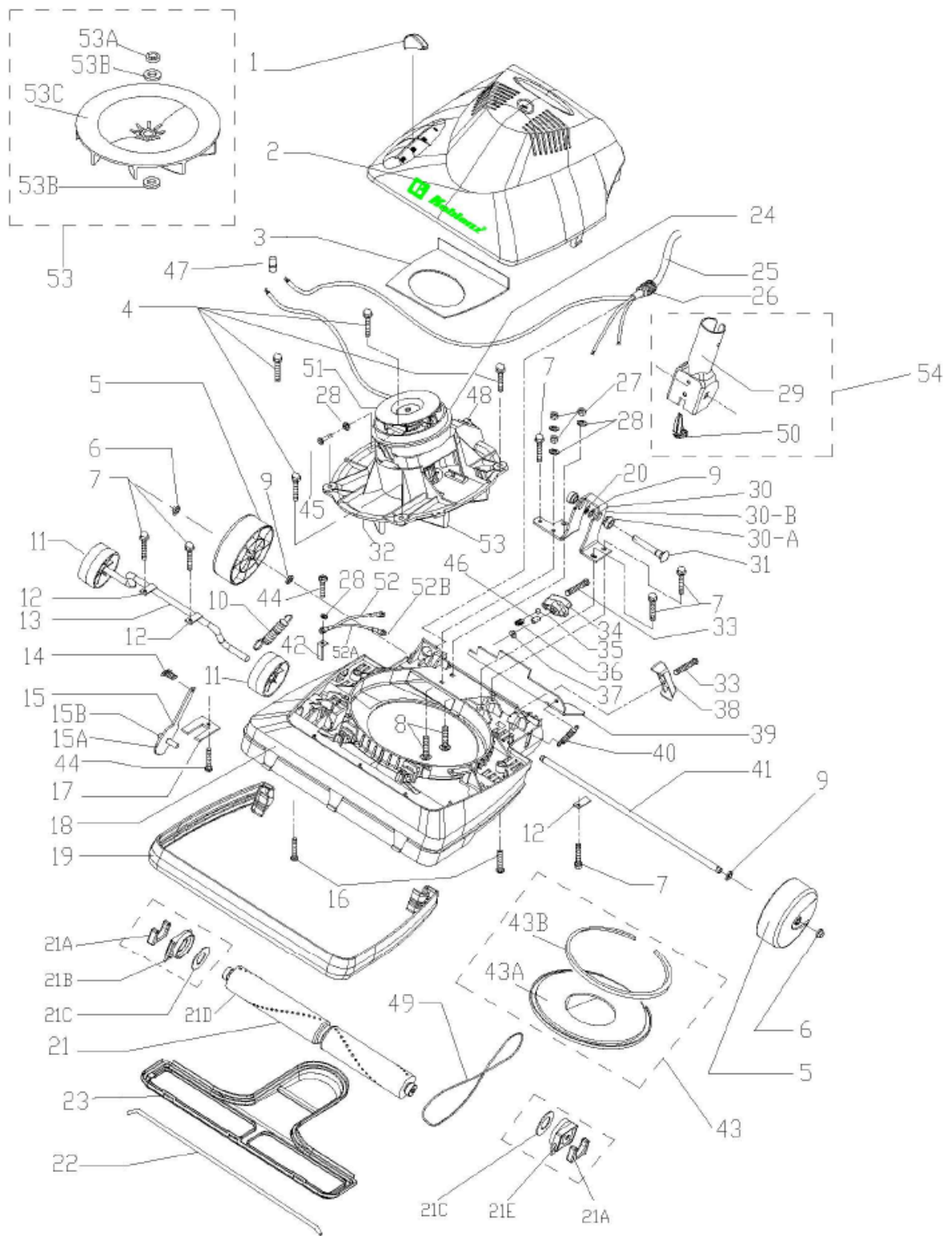
EXTERNAL PARTS OF PLASTIC UPRIGHT

No	PART No	DESCRIPTION	U-80
1	13-0947-5	HANDLE GRIP	1
2	05-4091-01-2	UPPER HANDLE BACK	1
3	01-0290-5	SCREW 10 X 3/8	2
4	05-4089-01-6	CORD HOOK BLACK U-75	1
5	13-1462-4	CORD RETAINER	1
6	01-0283-0	SCREW 8 X 1/2	1
7	02-0141-8	LOCK NYLON NUT	2
8	05-4090-01-4	LOWER HANDLE BLACK U-75	1
9	17-4777-01-1	LABEL U-75/95	1
10	13-2883-0	PLASTIC CHASSIS	1
11	13-2949-03-3	TAMPO- PLASTIC COVER	1
12	13-0304-9	RETEN CABLE	1
13	12-0814-01-7	BELT .0250 X 3 7/16"	1
14	01-2034-01-3	SPECIAL SCREW FOR HANDLE	1
15	01-2034-5	SPECIAL SCREW FOR HANDLE 10-32 X 1 3/4	1

EXTERNAL PARTS OF PLASTIC UPRIGHT

No	PART No	DESCRIPTION	U-90
1	13-0947-5	HANDLE GRIP	1
2	05-4091-01-2	UPPER HANDLE BACK	1
3	01-0290-5	SCREW 10 X 3/8	2
4	05-4089-01-6	CORD HOOK BLACK U-75	1
5	13-1462-4	CORD RETAINER	1
6	01-0283-0	SCREW 8 X 1/2	1
7	02-0141-8	LOCK NYLON NUT	2
8	05-4090-01-4	LOWER HANDLE BLACK U-75	1
9	17-4777-01-1	LABEL U-75/95	1
10	13-3825-01-8	TAMPO-PLASTIC CHASSIS	1
11	13-2949-03-3	TAMPO- PLASTIC COVER	1
12	13-0304-9	RETEN CABLE	1
13	12-0814-01-7	BELT .0250 X 3 7/16"	1
14	01-2034-01-3	SPECIAL SCREW FOR HANDLE	1
15	01-2034-5	SPECIAL SCREW FOR HANDLE 10-32 X 1 3/4	1

IX.- INTERNAL PARTS UPRIGHT VACUUM CLEANER U-80



X.-LIST INTERNAL PARTS UPRIGHT VACUUM CLEANER U-80

INTERNAL PARTS OF PLASTIC UPRIGHT

No	PART No	DESCRIPTION	U-80
1	13-3147-9	KNOB CAM	1
2	13-2949-03-3	TAMPO- PLASTIC COVER	1
3	12-0936-0	BAFFLE	1
4	01-1500-6	SCREW B TYPE 10-16 X ¾	4
5	13-3144-6	BACK WHEEL	2
6	04-0671-0	WASHER CAP RETAINER	2
7	01-1499-1	SCREW HEXAGONAL No 10-16X5/8	6
8	01-0664-1	SCREW 10 X 5/8	2
9	04-0589-4	FLAT WASHER 5/16 X ½	3
10	24-0308-7	FRONT AXLE SPRING	1
11	13-3143-8	FRONT WHEEL	2
12	05-4489-0	AXLE RETAINER PLATE	3
13	25-1349-02-3	GALVANIZED FRONT AXLE	1
14	01-1651-7	SCREW B TYPE No 6	1
15	46-3697-3	CAM ASSY	1
15-A	05-5513-6	CAM	1
15-B	25-1345-5	BOLT FOR CAM	1
16	01-0093-3	SCREW TYPE No 6X5/8 PHILLIPS	2
17	05-4721-6	CAM RETAINER PLATE	1
18	13-2883-0	PLASTIC CHASSIS	1
19	12-0952-02-3	YELLOW FOR MOLDING PLASTIC UPRIGTH	1
20	04-0469-9	ROCK WASHER PO-25	1
21	46-2375-7	BRUSH ROLLER ASSY 1 POSITION	1
21	46-2413-6	BRUSH ROLLER ASSY 16"	-
21-A	12-0522-8	GASKET END CAP	1
21-B	13-1801-3	LEFT BERAING SUPPORT	1
21-C	37-0130-7	FELT WASHER	2
21-D	45-0299-3	ROLLER ASSY ENGERDADO 1.400 12"	1
21-E	13-1252-9	BEARING 11/16	1
22	25-0997-4	BOTTOM PLATE RETAINER	1
23	46-3207-1	ROLLER CAVER ASSY WITH TILT	1
24	13-3146-1	COOLING CYLINDER	1
25	28-1644-5	CABLE OF U-75 ASSY	1
26	12-0953-5	GROMMET HEYCO 1232	1
27	02-0041-0	HEXAGONAL NUT No 10x204	3
28	04-0271-9	WASHER STARTS No 10X204	5
29	05-4734-02-5	CHROMED YOKE	1
30	46-3260-0	YOKE SUPPORT BUSHING ASSY	1
30-A	13-3148-7	BUSHING YOKE	2
30-B	05-4725-7	YOKE SUPPORT	1
31	25-1346-3	BOLT FOR YOKE	1
32	12-0495-01-5	MOTOR MOUNT GASKET	1
33	01-0071-9	SCREW 8.18X 3/4"	2
34	13-2126-4	KNOB COUPLING BAG	1
35	26-0001-3	CRAZY FORK BULLETS	1
36	24-0014-1	KNOB SPRING	1
37	04-0026-7	FLAT WASHER(02-0101)	1
38	13-2127-2	BAG SUPPORT	1
39	05-4724-02-6	HANDLE PEDAL	1
40	24-0316-0	PEDAL SPRING HANDLE UPRIGHT	1
41	25-1322-4	REAR WHEEL HUB	1
42	05-4993-1	GROUNDING TERMINAL	1
43	46-3208-9	FAN COVER ASSY	2
43-A	13-3145-3	FAN COVER	1
43-B	12-0834-01-5	FAN COVER GASKET	1
44	01-0270-7	SCREW 6X3/8" "A"	2
45	01-1683-0	SCREW T TYPE 8-32X1/4	1
46	05-0997-6	SPACER	1
47	10-0137-9	CABLE CONNECTOR	1
48	11-0159-01-9	BALANCE SWITCH	1
49	12-0814-01-7	BELT POLYURETHANE .0250 X 3 7/16"	1
50	13-3273-3	SWICTH ACTUATOR	1
51	46-3099-2	ASSY MOTOR UPRIGHT	1
52	28-1664-3	GROUND CORD ASSY	1
52-A	09-1319-4	GROUNDING CABLE	2
52-B	30-0197-1	TERMINAL OF EARTH RETURN	3
53	45-0524-4	TURBINE KIT PLASTIC	1
53 A	26-0221-7	BUSHING PLASTIC TURBINE	1
53 B	04-0123-2	FIBER WASHER INT. 0.315	2
53-C	13-2442-5	9 TURBINE BLADES	1
54	46-3433-3	SWITCH-YOKE ACTUATOR	1

XI-INTERNAL PARTS UPRIGHT VACUUM CLEANER U-90

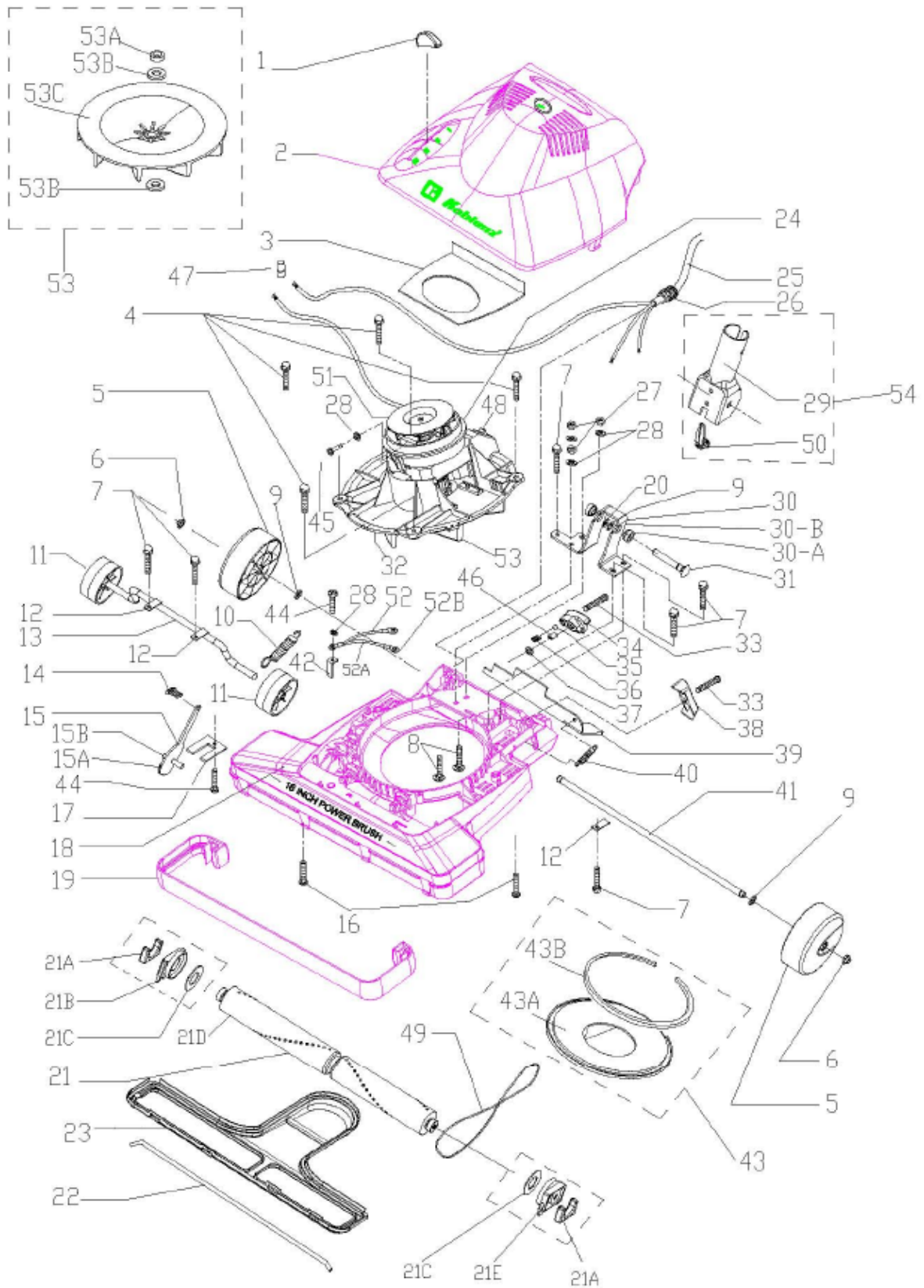


FIG.2

XII.-LIST INTERNAL PARTS UPRIGHT VACUUM CLEANER U-90

INTERNAL PARTS OF PLASTIC UPRIGHT

No	PART No	DESCRIPTION	U-90
1	13-3147-9	KNOB CAM	1
2	13-2949-03-3	TAMPO- PLASTIC COVER	1
3	12-0936-0	BAFFLE	1
4	01-1500-6	SCREW B TYPE 10-16 X ¾	4
5	13-3144-6	BACK WHEEL	2
6	04-0671-0	WASHER CAP RETAINER	2
7	01-1499-1	SCREW HEXAGONAL No 10-16X5/8	6
8	01-0664-1	SCREW 10 X 5/8	2
9	04-0589-4	FLAT WASHER 5/16 X ½	3
10	24-0308-7	FRONT AXLE SPRING	1
11	13-3143-8	FRONT WHEEL	2
12	05-4489-0	AXLE RETAINER PLATE	3
13	25-1349-02-3	GALVANIZED FRONT AXLE	1
14	01-1651-7	SCREW B TYPE No 6	1
15	46-3697-3	CAM ASSY	1
15-A	05-5513-6	CAM	1
15-B	25-1345-5	BOLT FOR CAM	1
16	01-0093-3	SCREW TYPE No 6X5/8 PHILLIPS	2
17	05-4721-6	CAM RETAINER PLATE	1
18	13-3825-01-8	PLASTIC CHASSIS	1
19	12-0952-02-3	YELLOW FOR MOLDING PLASTIC UPRIGHT	1
20	04-0469-9	ROCK WASHER PO-25	1
21	46-2413-6	BRUSH ROLLER ASSY 16"	1
21-A	12-0522-8	GASKET END CAP	1
21-B	13-1801-3	LEFT BEARING SUPPORT	1
21-C	37-0130-7	FELT WASHER	2
21-D	45-0299-3	ROLLER ASSY ENCEDADO 1.400 12"	1
21-D	45-0457-7	ENCERDADO ROLL OF 16"	1
21-E	13-1252-9	BEARING 11/16	1
22	25-0997-4	BOTTOM PLATE RETAINER	1
23	46-2428-4	ROLLER COVER ASSY	1
24	13-3146-1	COOLING CYLINDER	1
25	28-1644-5	CABLE OF U-75 ASSY	1
26	12-0953-5	GROMMET HEYCO 1232	1
27	02-0041-0	HEXAGONAL NUT No 10x204	3
28	04-0271-9	WASHER STARTS No 10X204	5
29	05-4734-02-5	CHROMED YOKE	1
30	46-3260-0	YOKE SUPPORT BUSHING ASSY	1
30-A	13-3148-7	BUSHING YOKE	2
30-B	05-4725-7	YOKE SUPPORT	1
31	25-1346-3	BOLT FOR YOKE	1
32	12-0495-01-5	MOTOR MOUNT GASKET	1
33	01-0071-9	SCREW 8.18X 3/4"	2
34	13-2126-4	KNOB COUPLING BAG	1
35	26-0001-3	CRAZY FORK BULLETS	1
36	24-0014-1	KNOB SPRING	1
37	04-0026-7	FLAT WASHER(02-0101)	1
38	13-2127-2	BAG SUPPORT	1
39	05-4724-02-6	HANDLE PEDAL	1
40	24-0316-0	PEDAL SPRING HANDLE UPRIGHT	1
41	25-1322-4	REAR WHEEL HUB	1
42	05-4993-1	GROUNDING TERMINAL	1
43	46-3208-9	FAN COVER ASSY	2
43-A	13-3145-3	FAN COVER	1
43-B	12-0834-01-5	FAN COVER GASKET	1
44	01-0270-7	SCREW 6X3/8" "A"	2
45	01-1683-0	SCREW T TYPE 8-32X1/4	1
46	05-0997-6	SPACER	1
47	10-0137-9	CABLE CONNECTOR	1
48	11-0159-01-9	BALANCE SWITCH	1
49	12-0814-01-7	BELT POLYURETHANE .0250 X 3 7/16"	1
50	13-3273-3	SWITCH ACTUATOR	1
51	46-3099-2	ASSY MOTOR UPRIGHT	1
52	28-1664-3	GROUND CORD ASSY	1
52-A	09-1319-4	GROUNDING CABLE	2
52-B	30-0197-1	TERMINAL OF EARTH RETURN	3
53	45-0524-4	TURBINE KIT PLASTIC	1
53 A	26-0221-7	BUSHING PLASTIC TURBINE	1
53 B	04-0123-2	FIBER WASHER INT. 0.315	2
53-C	13-2442-5	9 TURBINE BLADES	1
54	46-3433-3	SWITCH-YOKE ACTUATOR	1



FACTORY AUTHORIZED SERVICE

**Thorne Electric Company
610 Lanark Suite 205
San Antonio TX, 78218
Tel. (210) 590-1226
Fax (210)590-1258
1-800-548-5741**

FACTORY KOBLENZ ELECTRICA S.A. DE C. V.

**Av. Ciencia N.28
Cuautitlán Izcalli
Estado de México C. P. 54730
Web site : <http://www.koblenz.com.mx>**

SERVICE

KOBLENZ ELECTRICA S.A. DE C. V.
[E-: thorne_scsm@koblenz-electric.com](mailto:thorne_scsm@koblenz-electric.com)

DECEMBER-2010
LP-U80,U90-20100

Free Manuals Download Website

<http://myh66.com>

<http://usermanuals.us>

<http://www.somanuals.com>

<http://www.4manuals.cc>

<http://www.manual-lib.com>

<http://www.404manual.com>

<http://www.luxmanual.com>

<http://aubethermostatmanual.com>

Golf course search by state

<http://golfingnear.com>

Email search by domain

<http://emailbydomain.com>

Auto manuals search

<http://auto.somanuals.com>

TV manuals search

<http://tv.somanuals.com>