

bifinett
KH1111



© Operating and safety instructions

UK

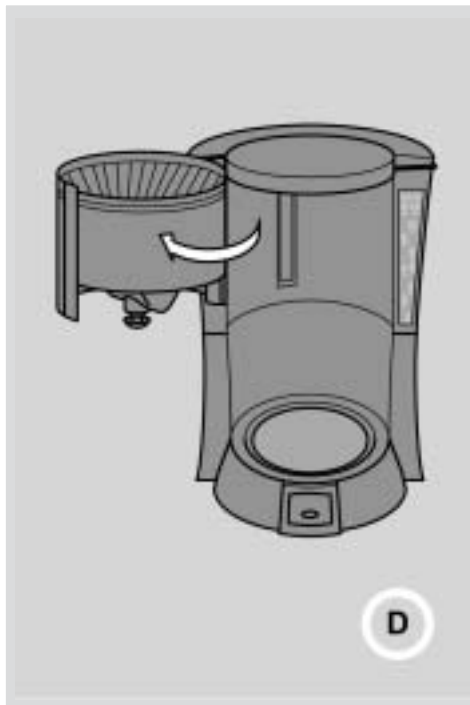




Table of Contents

Safety Instructions	4
Risk of Shock	4
Fire Risk	4
Risk of Injury.....	4
Risk of Burns	4
Risk of Scalding	5
Risk of Tripping	5
Proper Use	5
Description	5
Device Overview	5
Setting Up and Connecting	5
Operating	6
Before the First Use	6
Adding Ground Coffee	7
Adding Water	7
Switching On and Off.....	7
Winding the Cord	8
Cleaning	8
Removing Calcium Deposits	9
Troubleshooting	9
Disposal	10
Technical Data	10
Warranty and Service	10
Conformity Declaration and Manufacturer	10



Safety Instructions

Risk of a Shock!

- Only connect the coffee machine to a properly installed and grounded power socket with a mains voltage of 230 V~ at 50 Hz.
- Pull the power cord out of the power socket when you move or fill the coffee machine, in the event of faults, before you clean the coffee machine or when it is not in use.
- You must never submerge the coffee machine in liquid. You must never subject the device to moisture or use it outdoors.
If liquid should enter into the device housing, immediately pull the power cord out of the power socket and have the device repaired by a qualified specialist.
- Never grip the coffee machine, power cord or plug with wet hands.
- Always grip the plug of the power cord to remove it from the socket, never pull on the cable itself.
- Do not kink or crush the power cord.
- If the power cord or the housing of the coffee machine are damaged, you must have the coffee machine repaired by a specialist before using it again. Do not open the housing of the coffee machine. Doing so is unsafe and voids the warranty.
- Do not use an extension cord.

Risk of Fire!

- Never leave the coffee machine unsupervised while in operation.
- Never operate the coffee machine without tap water and never fill it with more than 1.0 litres..

Risk of Injury!

- Never use the glass pot of the coffee machine in a microwave.
- Never let children use the coffee machine without adult supervision. Explain to the children the dangers presented by the device.

Risk of Burns!

- Never touch hot surfaces on the coffee machine, particularly the hot plate and the glass pot.



Risk of Scalding!

- Never use the glass pot of the coffee machine in a microwave.
- Do not touch the hot filter. Only remove the filter once the liquid has drained out.
- Do not hold your hands in the rising steam.
- Do not move the coffee machine during the brewing process.
- Only remove the pot once the brewing process is completed and the filter has drained.

Risk of Tripping!

- Position the power cord such that no one can step on it or trip over it.
- Do not use extension cords.

Proper Use

The coffee machine should be used only for making coffee.

This coffee machine is intended solely for use in private homes. Take heed of all the information in this operating manual, in particular the safety instructions. Any other use is considered improper use and can lead to material damages or even personal injury. **Kompernaß** does not accept any liability for damages resulting from improper use.

Description

You can brew hot filter coffee with the coffee machine. The brewed coffee can be kept warm in the glass pot on the hot plate with the device left switched on.

Device Overview

Figure A

1 Filter Compartment	6 Hot Plate
2 Water Level Indicator	7 Glass Pot with Level Markings
3 Lid Opener	8 Cover of the Water Tank
4 Coffee Spoon	Warranty sheet (without figure)
5 Power Switch with Power Light	Operating Manual (without figure)



Setting Up and Connecting

Risk of Shock!

Never place the coffee machine near water that is standing in the sink or in other containers. Nearby water represents a danger even if the device is not operating. For this reason, always unplug the cord after each use.

Risk of Fire!

Never place the coffee machine near heat sources. The device could be damaged.

Important!


Only use the coffee machine on a flat and dry surface.

- ⇒ If you would like to connect the coffee machine, unwind the power cord (Figure B).
- ⇒ Then plug the power cord into the power socket.

Operating

Before the First Use

Important!

- Never fill the water container with more than a total of one litre of tap water. The minimum quantity of water in the water container and the minimum amount of brewed filter coffee in the glass pot  is 250 ml. Otherwise the coffee machine could be damaged.
- Unplug your coffee maker immediately after use. It is only completely without power when you pull the plug out of the socket.
- Never fill the water container with anything other than tap water. Otherwise you could damage the coffee machine.



- ⇒ Open the glass pot ⑦ and the water tank.
- ⇒ Rinse the water tank and the glass pot carefully with tap water.
- ⇒ Fill the water pot with one litre of tap water.
- ⇒ Completely pour the tap water into the water tank (Figure C).
- ⇒ Place the emptied glass pot on the hot plate.
- ⇒ Switch the coffee machine on and wait until the brewing process is completed.
- ⇒ Empty the glass pot.
- ⇒ Switch the coffee machine off by pressing the power switch... until the power light goes out.

You can then use the coffee machine for brewing ground coffee.

Adding Ground Coffee

- ⇒ Swivel out the filter container ① (Figure D).
- ⇒ Place an opened filter of size 4 into the filter container.
- ⇒ Pour the ground coffee into the filter.

① Put in approx. one levelled teaspoonful of ground coffee for each small cup of filter coffee. Put in approx. one heaped teaspoonful of ground coffee for each large cup of filter coffee. If you would like the filter coffee to be less strong, you can reduce the amount of ground coffee per cup.

- ⇒ Close the filter container.

Adding Water

- ⇒ Open the cover for the water tank ⑧.
- ⇒ Fill the glass pot ⑦ with tap water.
- ⇒ Pour the tap water into the water tank according to the desired amount of filter coffee (Figure C).

Switching On and Off

- ⇒ If you would like to switch on the coffee machine, press the power switch ⑤ until the power light shines red.
- ⇒ If you would like to switch off the coffee machine, press the power switch until the power light goes out.
- ⇒ Then unplug the power cord from the power socket.



Winding the Cord

- ⇒ Slide the cable into the cable winding on the back of the device (Figure B).
- ⇒ If necessary, insert the metal contacts of the power plug into the holes above the cable winding.

Cleaning

You should clean the coffee machine after every use to ensure the optimal taste experience during brewing.

- ⇒ Pull the power plug out of the power socket.

Risk of Shock!

Before you clean the coffee machine, you must always unplug the power cord from the power socket. You must never submerge the device under water or hold it under running water while cleaning.

Risk of Burns!

Always wait until the coffee machine has cooled before cleaning it. Otherwise the device could be damaged.

Important!

Do not use household cleansers or sharp or pointed objects to clean the device. This could damage the coffee machine.

- ⇒ Wash the housing of the coffee machine and the glass pot ⑦ lightly with a soft, mildly soapy cloth. Remove any deposits in the glass pot.
- ⇒ Remove the filter insert from the filter container ① after every use.
- ⇒ Remove the filter and rinse the filter container under running water.



Removing Calcium Deposits

The calcium content (hardness) of the water leads to calcium deposits in your coffee machine during the course of use. The calcium hinders the functioning of the device and reduces the quality of the brewed filter coffee.

- ① Consult your water supplier to determine the hardness of your tap water. With a high hardness level, it is necessary to remove the calcium deposits already after about 30 uses, with a low hardness level after about 60 uses. Use a decalcifying agent for household appliances and follow the product instructions.

- ⇒ Switch the device off and allow it to cool completely.
- ⇒ Add the decalcifying agent to the water tank.
- ⇒ Add up to a total of one litre.
- ⇒ Place the glass pot ⑦ on the hot plate ⑥.
- ⇒ Switch on the coffee machine with the power switch....
- ⇒ Wait until the brewing process is completed.
- ⇒ Rinse the water tank and the glass pot thoroughly several times with tap water.
- ⇒ Then run the coffee machine twice with only tap water as described in the section "Before the First Use".

You may then continue to use your coffee machine normally.

Troubleshooting

Symptom	Possible Cause and Remedy
The coffee machine does not switch on.	<ul style="list-style-type: none"> • A household fuse is defective. Check the household fuses and replace them as necessary. • The power socket is defective. Try a different power socket. • The coffee machine may be defective. Have the coffee machine inspected by an expert.
The quality of the brewed coffee is decreasing.	<ul style="list-style-type: none"> • The coffee machine has calcium deposits. Remove the calcium deposits from the coffee machine.



Disposal

Dispose of the coffee machine through a certified disposal company or your community disposal agency. Never throw the coffee machine into the normal household waste.

Always obey the applicable regulations. In case of doubt, contact your disposal agency.

Technical Data

Mains voltage	230 V~, 50 Hz
Rated power	800 W
Coffee filters	Size 4
Maximum filling level of the glass pot and water tank	1 litre, corresponds to 8 large cups

Warranty and Service

The warranty conditions and service address can be found on the enclosed warranty sheet.

Statement of compliance

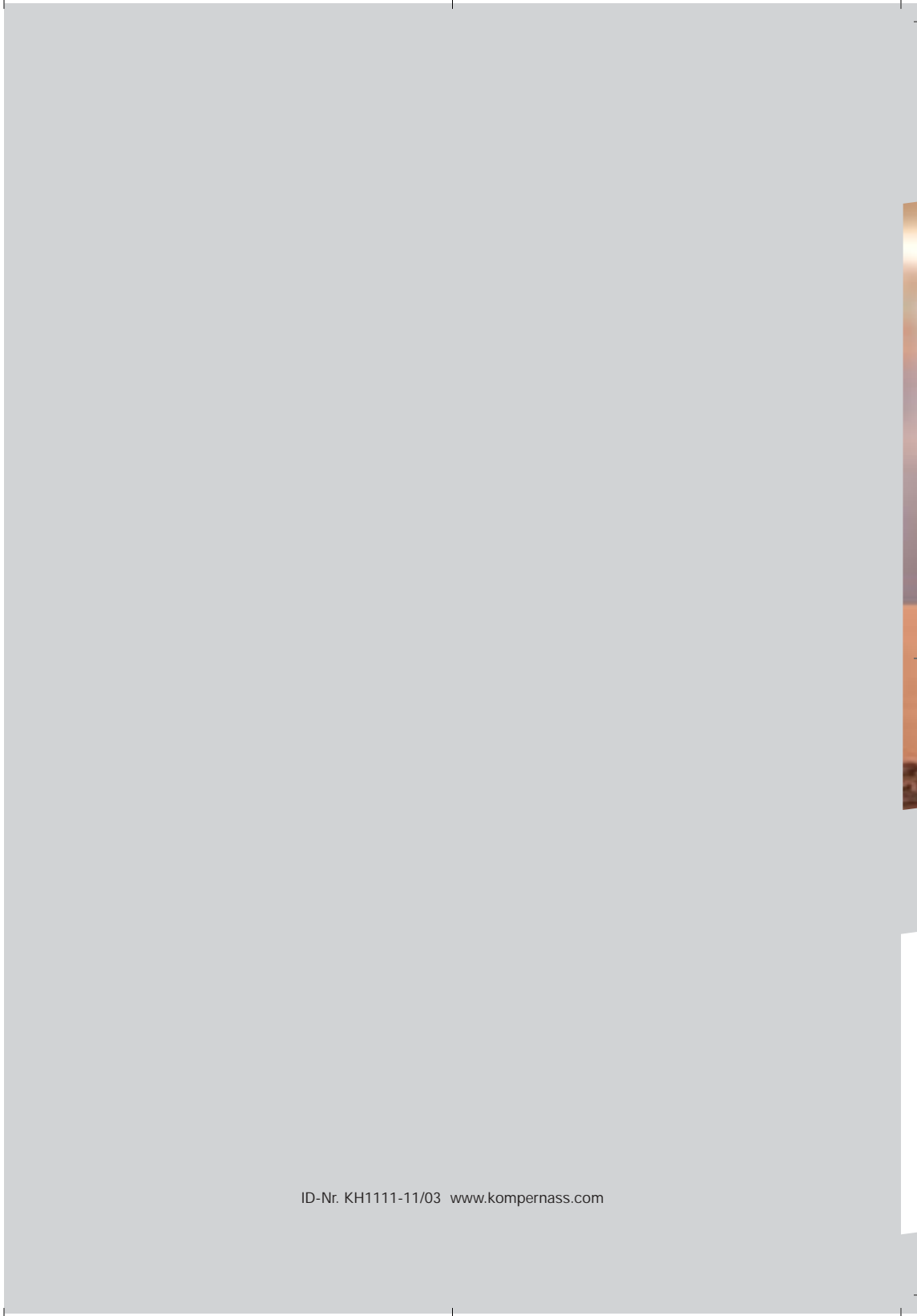
Kompennass Handelsgesellschaft mbH, Burgstrasse. 21, D-44867 Bochum, Germany, hereby declares that this product fully complies with all the applicable international safety standards, regulations and guidelines of the EU.

- EC low voltage regulations: 73/23/EWG
- EN 60335-1
- EN 60335-2-15
- Electromagnetic compatibility: 89/336 EWG
- EN 55014
- EN 55014-2
- EN 61000-3-2 +A1+A2

Appliance type / model: KH 1111

Bochum, 22.10.2003

Hans Kompennass
Managing Director



ID-Nr. KH1111-11/03 www.kompernass.com

Free Manuals Download Website

<http://myh66.com>

<http://usermanuals.us>

<http://www.somanuals.com>

<http://www.4manuals.cc>

<http://www.manual-lib.com>

<http://www.404manual.com>

<http://www.luxmanual.com>

<http://aubethermostatmanual.com>

Golf course search by state

<http://golfingnear.com>

Email search by domain

<http://emailbydomain.com>

Auto manuals search

<http://auto.somanuals.com>

TV manuals search

<http://tv.somanuals.com>