

■ Men's Shaver



GB Men's Shaver
IE Operating instructions
CY



CONTENT	PAGE
Intended Usage	2
Safety instructions	2
Items supplied	2
Description of the appliance	2
Technical Data	3
Shaving without the power cable	3
Shaving using the power adapter	3
Intended purpose	3
Shaving.....	3
Trimming.....	4
Changing the cutters	4
Cleaning and care	4
Cleaning with the brush.....	4
Cleaning under running water.....	4
Thorough cleaning.....	5
Storage	5
Disposal	6
Warranty and Service	6
Importer	7

Read these operating instructions carefully before using the appliance for the first time and preserve this manual for later reference. Pass this manual on to whoever might acquire the appliance at a future date.


MEN'S SHAVER KH5540


Intended Usage

This appliance is intended exclusively for shaving and trimming human hair. Do not use it in commercial or industrial applications.

Safety instructions

- This appliance is not intended for use by individuals (including children) with restricted physical, physiological or intellectual abilities or deficiencies in experience and/or knowledge unless they are supervised by a person responsible for their safety or receive from this person instruction in how the appliance is to be used.
- Children should be supervised to ensure that they do not play with the appliance.
- Arrange for defective power plugs and/or cables to be replaced at once by qualified technicians or our Customer Service Department.

 NEVER immerse the appliance in water or any other liquid!. This would cause irreparable damage to the appliance.

 NEVER use the appliance whilst in the bath or under the shower. Risk of electric shock!

- Do NOT take the appliance into use if there is visible damage to either the appliance itself or the power cable. Risk of injury!

 **To avoid the risks of fire or injury:**

- Use only the original accessory parts for this appliance. Other accessories may not meet the safety requirements.
- Discontinue using the appliance if there is visible damage to the cutting heads or if the cutting heads suddenly become hot.

Items supplied

Men's Shaver
Protective cap
Cleaning brush
Storage case
Operating instructions
Order card

After the unpacking, remove all wrapping materials and protective foils from the appliance. Check to ensure that all listed items have been supplied.

Description of the appliance

- 1 Cutting heads
- 2 Cutting unit
- 3 Release button
- 4 Locking button
- 5 On/Off switch
- 6 Battery charge indicator
- 7 Socket
- 8 Storage case
- 9 Brush
- 10 Mains power adapter
- 11 Connector plug
- 12 Long-hair trimmer
- 13 Switch for the long-hair trimmer
- 14 Protective cap

Technical Data

Mains adapter

Input voltage:	100 - 240 V ~ 50/60Hz
Output Voltage:	4.5 V === 1000 mA
Men's Shaver	
Input voltage:	4,5 V === 1000 mA ⊕ ⊖
Protection class:	IPX4

Shaving without the power cable

This Men's Shaver can be used without the power cable. In this case, the appliance must be charged up before the first usage.

1. Insert the connector plug **11** into the socket **7** on the Men's Shaver. Pay heed to the correct polarity: The guide pillar in the socket **7** must grip the guide rail on the connector plug **11**. If it does not, the connector plug **11** cannot be inserted.
2. Connect the plug with a mains power socket.

The battery will be charged. The battery charge indicator **6** blinks. The more lamps in the battery charge indicator **6** there are that glow permanently, the higher the current charge is. When the appliance is completely charged (all lamps on the battery charge indicator **6** glow), remove the mains power adapter **10** from the socket **7** and separate it from the mains power supply. The Men's Shaver can now be used without the power cable.

i Note:

Should the batteries be completely discharged, the recharging process requires approx. 90 minutes. After recharging you can use the Men's Shaver for approx 60 minutes.

i Note:

Do not recharge the battery after every use. Only recharge the battery when the lowest lamp on the battery charge indicator **6** blinks. This will optimise the performance of the battery.

Shaving using the power adapter

Should you wish to use the Men's Shaver without first charging the battery, you can do so by using energy directly from the mains power adapter **10**:

1. Insert the connector plug **11** into the socket **7** on the Men's Shaver. Pay heed to the correct polarity: The guide pillar in the socket **7** must grip the guide rail on the connector plug **11**. If it does not, the connector plug **11** cannot be inserted.
2. Connect the plug with a mains power socket. Wait for 3 - 5 minutes.

The Men's Shaver can then be used.

Intended purpose

Shaving

i Note:

The best shave is achieved with dry skin.

1. Remove the protective cap **14**.
2. Press the locking switch **4** and, at the same time, slide the On/Off switch **5** upwards. The cutting heads rotate.
3. Guide the cutting heads **1** with straight and circular movements over the skin.

i Note:

In the first 2 to 3 weeks you could suffer some light skin irritation, until your skin has got used to the cutting heads. Should the skin irritation continue beyond this time, consult your doctor.

- When you have finished shaving, slide the On/Off switch ⑤ downwards.
- Clean the appliance as described in the chapter "Cleaning and Care".

Trimming

The long-hair trimmer ⑫ integrated onto the Men's Shaver is suitable for trimming sideboards and moustaches.

- Slide the switch for the long-hair trimmer ⑬ upwards. The long-hair trimmer ⑫ raises itself.
- Press the locking switch ④ and, at the same time, slide the On/Off switch ⑤ upwards. The long-hair trimmer ⑫ is running.

You can now trim the hairs as required.

- When you have finished trimming, slide the On/Off switch ⑤ downwards.
- Remove any loose hairs on the long-hair trimmer ⑫ with the brush ⑨.
- Slide the switch for the long-hair trimmer ⑬ downwards. The long-hair trimmer ⑫ lowers itself.

Changing the cutters

⚠ Risk of electric shock!

Before changing the cutters ② ALWAYS disconnect the mains power plug! Otherwise, there is the great risk of receiving an electric shock!

If...

- ... the shave is noticeably unsatisfactory,...
- ... you must run the Men's Shaver over the same spot several times to obtain an acceptable result,...
- ... shaving takes noticeably longer,...
- ... damage is visible on the cutters ②,...
- ... the cutters ② must be exchanged.

New cutters can be obtained with the enclosed order form.

When you have acquired a new set of cutters ②, remove the old set of cutters ②:

- Press the release button ③. The cutting unit ② springs up.
- Extend the cutting unit ② a little, so that it allows itself to be pulled upwards.
- Replace the new cutting unit ② back onto the Men's Shaver. Ensure that it engages and sits firmly.

Cleaning and care

⚠ Risk of electric shock!

Always remove the mains power plug before cleaning the appliance! Otherwise, there is the great risk of receiving an electric shock!

⚠ Attention!

Do not use abrasive, chemical or caustic cleaning agents to clean this appliance. They could irreparably damage the appliance.

Cleaning with the brush

Clean the cutting heads ① with the brush ⑨ after every shave.

- Press the release button ③, so that the cutting unit ② springs up.
- Carefully tap the cutting unit ② on a smooth surface or blow the hair trimmings away.
- Use the brush to remove the remaining hair trimmings.

Cleaning under running water



The cutting unit ② is suitable for cleaning under running water.

- Press the release button ③, so that the cutting unit ② springs up.
- Hold the cutting unit ② under the flow of water so that the water runs from the inside to the outside, through the cutting heads ①.

⚠ Attention!

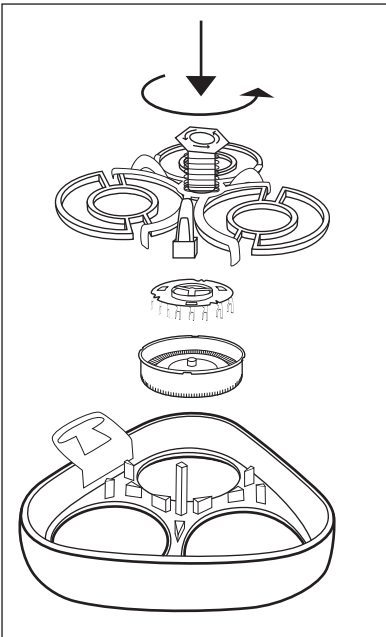
Ensure that you hold **ONLY** the cutting unit **2** under the flow of water! The hand element of this Men's Shaver is protected only against spray water, it could be irreparably damaged if it is held under running water.

3. Allow the cutting unit **2** to dry out completely before using the razor again.

Thorough cleaning

For a thorough cleaning remove the cutting unit **2**:

1. Press the release button **3**. The cutting unit **2** springs up.
2. Extend the cutting unit **2** a little, so that it allows itself to be pulled upwards.
3. Press the pin marked with arrows in the middle of the cutters **2** down a little. Carefully turn it the direction of the arrows until the mounting of the cutters allows itself to be lifted (see illustration).



4. Clean all parts under running water and then allow them to dry completely.
5. Reassembly of the cutters **2**. To secure it, press the pin marked with arrows in the middle of the cutters **2** down and then turn it in the direction of the arrows until the mounting of the cutters no longer allows itself to be lifted.
6. Remove any loose hairs on the cutting unit with the brush **9**.
7. Replace the cutting unit **2** back onto the Men's Shaver. Ensure that it engages and sits firmly.

- Clean the housing and the power adapter **10** with a moist cloth.
- Clean the long-hair trimmer **12** after every use with the brush **9**. Lubricate the long-hair trimmer **12** approx. every 6 months with a drop of sewing machine oil.

Storage

⚠ Attention!

Never keep the Men's Shaver in its storage case **8** when the battery is being charged! Risk of overheating!

if you do not intend to use the Men's Shaver for an extended period, or you are transporting it, place it in its storage case **8**. Ensure that the Men's Shaver is clean and completely dry.

Store the Men's Shaver at a clean and dry location.

Disposal



Under no circumstances may the appliance be disposed of with normal household waste. This product is subject to the provisions of European Directive 2002/96/EC.

Dispose of the appliance through an approved waste disposal centre or at your community waste facility. Observe the currently applicable regulations.

In case of doubt, please contact your waste disposal centre.

Disposal of batteries/cells

Used batteries/cells may not be disposed of in household waste. Every consumer is statutorily obliged to dispose of batteries/cells at a collection site in their community/city district or at a retail store.

The purpose of this obligation is to ensure that batteries/cells are disposed of in a non-polluting manner.

Only dispose of batteries/cells when they are fully discharged.



Dispose of all packaging materials in an environmentally friendly manner.

Warranty and Service

You receive a 3-year warranty for this appliance as of the purchase date. This appliance has been manufactured with care and meticulously examined before delivery. Please retain your receipt as proof of purchase. In the case of a warranty claim, please make contact by telephone with our service department. Only in this way can a post-free despatch for your goods be assured.

The warranty covers only claims for material and manufacturing defects, not for wearing parts or for damage to fragile components, e.g. buttons or batteries. This product is for private use only and is not intended for commercial applications.

In the event of misuse and improper handling, use of force and interference not carried out by our authorized service branch, the warranty will become void. Your statutory rights are not restricted in any way by this warranty.

DES Ltd

Units 14-15

Bilston Industrial Estate

Oxford Street

Bilston

WV14 7EG

Tel.: 0870/787-6177

Fax: 0870/787-6168

e-mail: support.uk@kompernass.com

Kompernass Service Ireland

Tel: 1850 930 412 (0,082 EUR/Min.)

Standard call rates apply. Mobile operators may vary.

e-mail: support.ie@kompernass.com

Importer

KOMPERNASS GMBH
BURGSTRASSE 21
44867 BOCHUM, GERMANY

www.kompernass.com

Free Manuals Download Website

<http://myh66.com>

<http://usermanuals.us>

<http://www.somanuals.com>

<http://www.4manuals.cc>

<http://www.manual-lib.com>

<http://www.404manual.com>

<http://www.luxmanual.com>

<http://aubethermostatmanual.com>

Golf course search by state

<http://golfingnear.com>

Email search by domain

<http://emailbydomain.com>

Auto manuals search

<http://auto.somanuals.com>

TV manuals search

<http://tv.somanuals.com>