

Operating Instructions

eBench KH 222

Portable CD Player/Radio

GB

Operating Instructions | 1

Contents

1. Technical Data	4
Radio	4
CD Player	4
2. Use	5
3. Function	5
4. Controls and displays	7
4.1. General	7
4.2. CD	7
4.3. Radio	7
4.4. Displays	7
4.5. Miscellaneous	7
5. Point of installation and safety instructions	8
6. Getting started	9
6.1. Connecting to the power supply	9
6.1.1. Battery operation.....	9
6.1.2. Exchanging batteries	9
6.1.3. Mains operation.....	10
7. Radio operation	10
7.1 Enhancing the reception of FM/VHF radio stations	11
7.2 Enhancing the reception of AM/medium-wave radio stations	11
8. Audio CDs	11
8.1. Playing audio CDs	11
8.1.1 CD playback pause (PAUSE mode).....	12
8.1.2 CD playback stop (STOP mode)	12
8.2 Skip functions	12
8.2.1 Jump Forward/Back to beginning of the track.....	12

GB

8.2.2 Rapid search Forward/Reverse	13
8.3. Repeat functions.....	13
8.3.1. Repeat track	13
8.3.2. Repeat CD.....	14
8.4. Programming a compilation of tracks (PROGRAM function).....	14
11. Cleaning.....	15
9. Switching off the set	15
10. Connecting headphones	15
12. Functional faults.....	15

1. Technical Data

Mains voltage: AC/alternating current: 220 V ~ 50 Hz
DC/direct current : 12 V
1.5 V x 8 type C/LR14/UM2

Output : 2 x 1.2 watt (RMS)
30 watt (PMPO)

Radio

Reception range
VHF/FM 88 MHz to 108 MHz

Reception range
Medium-wave/AM 540 kHz to 1610 kHz

CD Player

Laser 3-beam laser
Frequency response 100 Hz to 16 kHz

GB

2. Use

The portable eBench KH 222 CD Player/Radio is exclusively intended for ...

- an **entertainment electronics system**
- the **reception of radio stations**
- **playback of audio CDs**
- **private, non-commercial use**

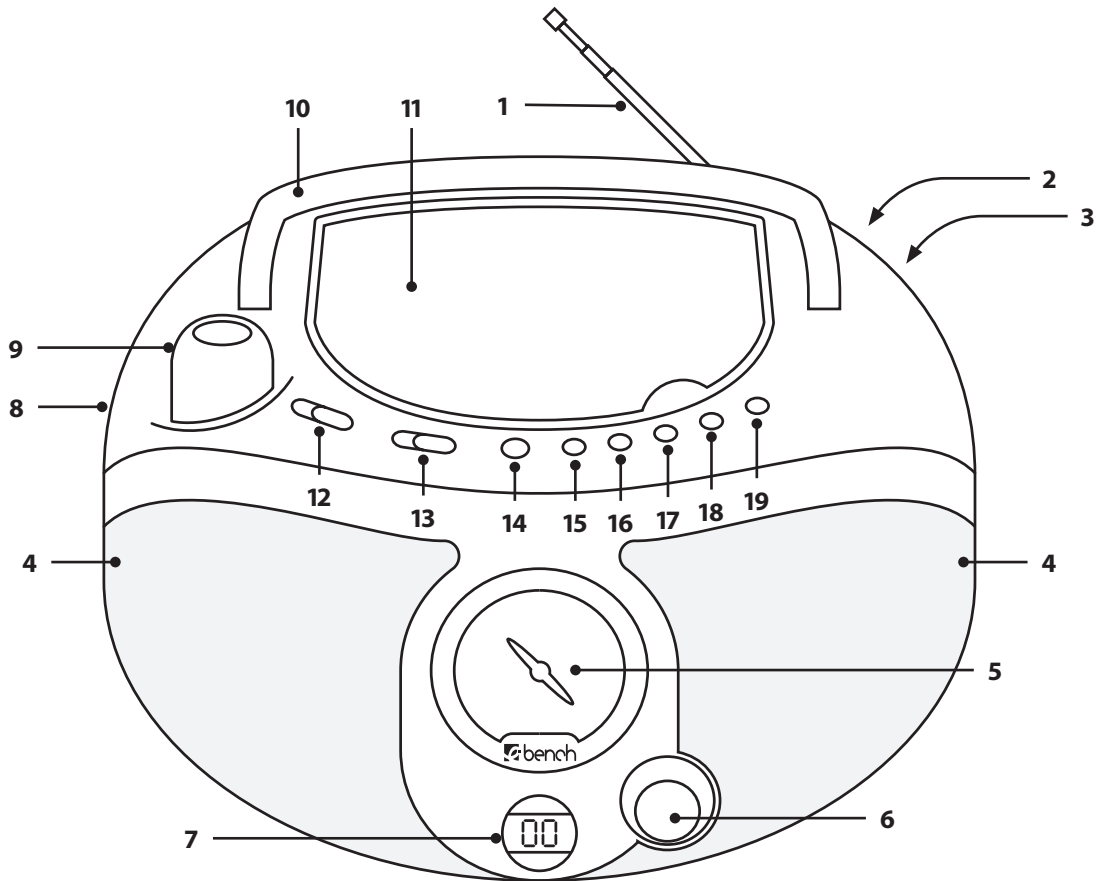
Warning!

We do not accept any **liability/warranty** for **damage** incurred as a result of **incorrect use!**

3. Function

With the **portable eBench KH 222 CD Player/Radio** you can ...

- **Playback audio CDs**
- **Receive VHF and medium-wave radio stations**



GB

6 | Operating Instructions

4. Controls and displays

4.1. General

- 9. Volume control
- 12. Function selector

4.2. CD

- 11. CD compartment
- 14. Play/Pause button
- 15. Stop button
- 16. Back button
- 17. Next button
- 18. Repeat button
- 19. Programme button

4.3. Radio

- 13. Frequency-range selector
- 6. Tuning control

4.4. Displays

- 5. Frequency-range selector for radio
- 7. LCD display for CD player

4.5. Miscellaneous

- 1. VHF/FM antenna
- 4. Loudspeakers
- 8. Headphones connection (3.5 mm diam.)
- 2. Power cable connection for alternating current
- 3. Battery compartment
- 10. Carrying handle

5. Point of installation and safety instructions

Set up your new **portable eBench KH 222 CD Player/Radio** on a level, smooth **non-slip base**.

To **prevent damage, functional interference** and the **danger of an electric shock do not use the set ...**

- in the immediate **vicinity of heat sources such as stoves, fan heaters** and similar appliances! Exposure to heat can cause the set to **overheat** and the risk of **melting plastic parts**, thereby causing **irreparable damage!**

Warning!

Set overheating gives rise to the danger of a fire!

- in **damp surroundings**, for instance in **basements** or in a **sauna! Moisture entering** the set can cause **functional problems** and **irreparable damage!**

Warning!



Moisture entering the set can result in the danger of electric shock!

GB

- not in the immediate **vicinity of water**, for instance in a **bathroom** or near a **swimming pool**. **Never place any water-filled containers**, for instance a **flower vase, on the set**.

Warning!



There is a risk of electric shock if water enters the set or if the set is dropped into water!

- **do not place in bookcases, cupboards** or **other closed furniture**, nor on **beds and bedding** as this will **cover the ventilation openings** in the case. The set will then **overheat** and become **irreparably damaged!**

Warning!

Moreover, overheating can result in the danger of a fire!

At the **selected point of installation** there must be a space of **at least 10 cm at the back, on either side and above the set** in relation to **walls** and **any objects**.

Please note!

No liability/warranty is accepted for damage to the set as a result of the following:

- Exposure to moisture
- Water entering the set
- Overheating

6. Getting started

6.1. Connecting to the power supply

The **eBench KH 222 CD portable player/radio** can be operated

- with **batteries**
or
- with the **supplied mains cable** plugged into a power socket.

6.1.1. Battery operation

Proceed as follows to **operate the portable CD player/radio** with **batteries** ...

- 1 In the event that the set is connected with a mains cable plugged into a power socket, then **first disconnect the plug from the power socket**.
- 2 **Set "OFF"** with the **function selector on the top of the set**.

3 **Place the set upside down** on a **soft base** that cannot damage the case.

4 **Open the battery compartment on the underside** of the set.

Prior to first time use

Remove any cardboard or plastic **transport protection** from the battery compartment.

5 **Insert 8 batteries, type C/LR14/UM2** (not included) in the **battery compartment**. Insert the batteries **according to the polarity** indicated on the battery compartment cover.

6 **Return the battery compartment cover** and **press down** until it becomes audibly engaged.

The **set** is now **operational**.

6.1.2. Exchanging batteries

The **batteries** must be **exchanged** when ...

- The **sound volume declines** without turning down the volume control.
- **Audio CDs suddenly stop playing** and the **LCD display ceases to display information** during CD mode

GB

- The **sound is distorted** during playback.
- **Radio station reception suddenly ceases.**

Always **exchange all 8 batteries together** to ensure full power once again.

Please note:

Spent batteries must not be disposed of in the domestic waste. Hand in spent batteries at collecting or waste-disposal points or return them to the place where they were purchased.

If you eventually dispose of the portable CD Player/Radio yourself, then **ensure that the batteries are removed beforehand!**

6.1.3. Mains operation

Proceed as follows to **operate the portable CD Player/Radio** from a **power socket** ...

- 1 **Remove the batteries** that may still be in the battery compartment.
- 2 **Unpack the mains cable.**
- 3 **First plug the mains cable** into the socket identified by the letters **"AC~"** at the **back of the set.**

GB

- 4 **Plug** the mains cable into the **power socket.**

The **set** is now **operational.**

Please note!

Only use the supplied mains cable to connect the set to the mains! **The use of mains cables that were not intended for the eBench KH 222 portable CD Player/Radio can result in irreparable damage to the set!**

Warning!



The use of unsuitable mains cables from other sets can give rise to the danger of an electric shock!

7. Radio operation

Proceed as follows to receive radio stations ...

- 1 **Set "Radio"** with the **function selector** on the top of the set.
- 2 **Set with the frequency-range selector** on the top of the set one of the **frequency ranges "FM ST" (VHF Stereo) "FM" (VHF) or "AM" (medium wave).**

3 Turn the tuning control on the front of the set to **tune in a radio station with good reception characteristics**.

The currently **tuned frequency is indicated** on the **frequency range scale** on the front of the set.

4 Turn the volume control on top of the set to adjust the **required volume**.

7.1 Enhancing the reception of FM/VHF radio stations

Having set **“FM”** with the **frequency-range selector**, the **reception of radio stations** within this frequency range can be **enhanced** with the **FM/VHF antenna** at the back of the set.

Extend the **antenna** to its **full length** and **turn slowly in different directions until good reception** of the **tuned station** is achieved.

7.2 Enhancing the reception of AM/medium-wave radio stations

The set features a **built-in ferrite antenna** for the **AM/medium-wave frequency range**. Having set **“AM”** with the **frequency-range selector**, **radio station reception** in this frequency range can be **enhanced** by turning the **actual set in different directions**.

8. Audio CDs

8.1. Playing audio CDs

Proceed in the following manner to play **audio CDs** ...

1 Set “CD” with the **function selector** on the top of the set. The LCD display on the front of the set will first **display “--”** and then **“00”**.

2 Open the CD compartment on the **top of the set** by **raising the cover** with a finger in the small recess bearing the inscription **“Lift up to open”**.

Prior to first time use:

Remove the cardboard **transport protection** from the CD compartment.

3 Place a CD – with the label side up – **in the CD compartment**.

4 Press down the cover of the CD compartment until it becomes audibly engaged, After a few seconds the **total number of tracks** on the loaded CD will be **indicated on the LCD display**.

5 Press the “Play/Pause” button once. The **first track** on the CD will then be **played**.

GB

The **display will indicate ...**

- The **track number** of the **music title that is currently being played**, for instance **"1"** for the first track on the CD, and
- **"PLAY"** to the left of the current track number.

6 Turn the volume control on the top of the set to **adjust the desired volume.**

8.1.1 CD playback pause (PAUSE mode)

To stop playback of the audio CD press the "Play/Pause" button once. "PLAY", displayed to the left of the current track number, will start to flash.

Press the "Play/Pause" button once again to resume playback. The current piece of music will now continue from the point it was previously stopped. "PLAY", displayed to the left of the current track number, will cease to flash.

8.1.2 CD playback stop (STOP mode)

Press the "STOP" button to discontinue music playback.

GB

8.2 Skip functions

The **skip functions** are used for the following purposes ...

- Press the respective button to **select** a track in the sequence on the audio CD by **skipping forward** ("Next") or **back** ("Back") to the **beginning of each track** and
- **Select any section** within a **track** during playback in **rapid search forward** or **reverse.**

8.2.1 Jump Forward/Back to beginning of the track

Proceed in the following manner to jump **within a track** on an audio CD **forward/back** to the beginning of a track ...

a) ... **When no CD is being played (STOP mode):**

1 Continue pressing the **"Next" button (jump forward to the beginning of the next track)** or **"Back" (jump back to the beginning of the last track)** until the **display** indicates the **number of the desired track.**

1 Press the **"Play/Pause" button once** to **start play back** of the selected track.

b) ... **During playback of the current CD:**

1 Continue pressing the “Next”/“Back” button until the **display** indicates the **number of the desired track**.

2 Playback of the selected track **commences instantly** without having to press the “Play/Pause” button.

c) ... With stopped CD playback (PAUSE mode):

1 Continue pressing the “Next”/“Back” button until the **display** indicates the **number of the desired track**.

2 The selected **track** is now **automatically set in PAUSE mode**. To play simply **press the “Play/Pause” button once**.

8.2.2 Rapid search Forward/Reverse

Proceed in the following manner to **select certain sections within a track by rapid search Forward/Reverse ...**

1 Keep the “Next” button (rapid search forward) of the “Back” button (rapid search reverse) depressed during playback of the desired track.

The **current music title** (track) can now be heard at **high speed** while the **“Next” button forward** or the **“Back” button reverse** is kept depressed.

2 Release the “Next”/“Back” button as soon as the **desired**

section within the track is reached.

Playback from the selected point of the track is now **automatically continued at normal speed**.

8.3. Repeat functions

The following can be set with the **repeat functions ...**

- **Repeat a single track** of an audio CD
- **Repeat the entire audio CD**

8.3.1. Repeat track

To **repeat playback** of a **single track press the “Repeat” button once during playback** of the desired title.

“RPT” flashing on the LCD display to the left of the current track number **indicates that track repeat has been switched on**.

The **selected track continues to be repeated until track repeat is switched off**.

To **turn off track repeat press the “Repeat” button twice**. **“RPT” flashing on the LCD display** to the left of the current track number is **turned off**.

GB

8.3.2. Repeat CD

To **repeat all tracks on the audio CD** press the **“Repeat” button twice during playback** of a music title.

Activation of CD repeat is **indicated** by **“RPT”** appearing on the **LCD display** to the left of the current track number.

The **entire audio CD continues to be repeated until CD repeat is turned off.**

To **turn off CD repeat** press the **“Repeat” button once. “RPT” indicated on the LCD display** to the left of the current track number is **faded out.**

8.4. Programming a compilation of tracks (PROGRAM function)

You can **compile your own music programme** with the **program function** merely by **selecting certain tracks** on an audio CD for **repeat**. Moreover, you can **decide the sequence** in which the titles are to be **played.**

Proceed in the following manner to **program your own track compilation for playback ...**

GB

1 Place the desired **audio CD** in the set.

In the event that a **CD is currently being played**, then **stop playback** by **pressing the “STOP” button.**

2 Press the **“Program” button once ...**

- **“1” flashes** on the **display** to **indicate** the first program storage place.
- **“PRG” is faded in** to the left of the displayed title storage place.

3 Select with the **“Next”/“Back” button** the **desired music title** for the first program storage place.

4 Then press the **“Program” button once again** to **program the selected music title.**

The **display** will now indicate the **number of the next program storage place** – in this example **“02”** to denote the second program storage place.

5 Repeat steps 3 and 4 until **all music titles** of your compilation have been **programmed** in the desired sequence. **Up to 20 titles can be programmed.**

6 Press the **“Play/Pause” button** to **start playback of the programmed compilation of titles. “PLAY” and “PRG” are indicated** on the **display.**

Press the **“STOP”** button once to **stop playback** of the programmed compilation. The **programmed compilation of titles continues to be stored**.

Press the **“STOP”** button a **second time** to **terminate the program function** and **erase the programmed compilation**. **“PRG”** indicated on the **display** is **faded out**.

9. Switching off the set

To **switch off the set** adjust **“OFF”** with the **functional selector** on the top of the set.

10. Connecting headphones

Plug the 3.5 mm jack plug of the headphones into the **“PHONE”** socket on the **left hand side of the set** to **connect the headphones**.

11. Cleaning

Only use a slightly moist cloth to clean the case surface of the set. Ensure when cleaning that no moisture enters the set.

The **inside of the CD compartment must only be cleaned with a clean, dry brush** (e.g. lens brush available from photographic dealers). **NEVER moist clean the inside of the CD compartment!**

Warning!



Moisture penetrating the set can give rise to the danger of an electric shock!

Only clean the laser scanning lens inside the CD compartment (if necessary) with a **clean, dry brush**. **NEVER touch the laser scanning lens with bare hands!**

Please note!

Only clean the laser scanning lens inside the CD compartment (if necessary) with a **clean, dry brush**. **NEVER touch the laser scanning lens with bare hands!**

12. Functional faults

Proceed in the following manner in the event of **functional faults of the set ...**

- First **disconnect the plug from the mains socket** or **remove the batteries from the battery compartment**.
- **Check** that there is **at least 10 cm space above, behind and on either side of the set** in relation to walls or objects.

If this is not the case, then **switch off the set** and allow it to **cool down for at least one hour! Relocate the set in**

GB

such a manner that the above minimum distances are observed.

- **If audio CD playback is faulty or does not function at all**, then this can indicate that a **film of condensation has formed on the laser scanning lens** in the CD compartment.

This can happen if the **set has been exposed to wide temperature fluctuations**.

In this event place the **set in a dry environment with a normal room temperature** and **wait at least five hours before switching on the set again**.

Consult our service partner in your vicinity in the event of the following ...

- **If the functional faults** described in Chapter 12 **cannot be remedied in the described manner**.
- **If functional faults occur** which are not described in Chapter 12.

Please refer to the enclosed **Warranty Card** for our **service partner addresses**.

GB

Warning!

NEVER open the case of the set! It does not contain any parts that can be repaired by the user. The warranty becomes null and void if the set's case has been opened.

We do not accept any liability/warranty for damage resulting from opening the case or repair attempts that were not carried out by qualified personnel!

Free Manuals Download Website

<http://myh66.com>

<http://usermanuals.us>

<http://www.somanuals.com>

<http://www.4manuals.cc>

<http://www.manual-lib.com>

<http://www.404manual.com>

<http://www.luxmanual.com>

<http://aubethermostatmanual.com>

Golf course search by state

<http://golfingnear.com>

Email search by domain

<http://emailbydomain.com>

Auto manuals search

<http://auto.somanuals.com>

TV manuals search

<http://tv.somanuals.com>