

PARKSIDE



PPHSS 670

CE 2002

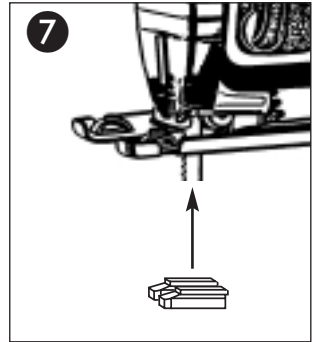
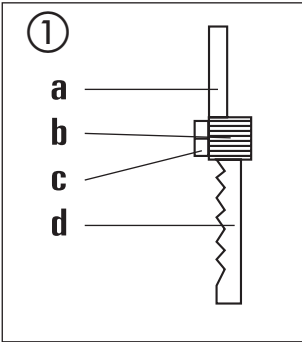




Operating instructions



Page

4 - 7



PARKSIDE

PPHSS 670 PENDULUM ACTION JIGSAW For sawing wood, plastic and metal

Dear Customer! We are delighted that you have decided to purchase our high quality PPHSS 670 pendulum action jigsaw. Please make sure you familiarise yourself fully with the way the equipment works before you use it for the first time and that you understand how to handle electrical power tools correctly. Please read the operating instructions  below and the accompanying safety advice  carefully. Use the equipment only as described and for the indicated purposes. By doing this you will be able to work in complete safety and produce better results. We hope you enjoy using your jigsaw.

FEATURES OF THE PPHSS 670

- ① ON - OFF switch
- ② Continuous operation locking button
- ③ Chip extraction nozzle
- ④ Speed control wheel
- ⑤ Adjustable clear-view cover for dust extractor
- ⑥ Base plate (with removable rubber shoe)
- ⑦ Chip guard
- ⑧ Pendulum action control
- ⑨ No-tool quick adjustment of base plate
- ⑩ Parallel guide with mm scale



TECHNICAL DATA

Nominal power consumption:	670 W
Nominal voltage:	230 V ~ 50 Hz
No load speed:	n ₀ 400 – 3200 rpm
Oscillation lift:	20 mm
Bevel cut up to:	45°
Weight:	2.8 kg
Maximum cutting depth in:	aluminium: 30 mm steel: 10 mm hardwood: 80 mm softwood: 100 mm



The A weighted noise level of the equipment is typically
Sound pressure level: 87.4 dB(A) - Sound power level 100.4 dB(A)
Hand/arm vibration is typically 4.1 m/s²

SPECIFIC SAFETY ADVICE

- ▲ To be read in conjunction with the advice in the accompanying booklet on safety.
- ▲ Before doing any work on the machine, for example changing the saw blade, always remove the plug from its socket.
- ▲ Only connect the machine to the socket when it is switched off.
- ▲ Never remove chips or splinters while the equipment is operating - always remove the plug from the socket.
- ▲ Always wear ear protectors and safety glasses when using the jigsaw. In addition we recommend safety gloves, robust anti-slip footwear and an industrial apron.
- ▲ Before using the jigsaw, check the mains lead and plug for damage. Have any damaged parts repaired or replaced at a specialist repair centre.
- ▲ Always keep the power cable well out of the jigsaw's working area and fed to the rear of the machine.

PARKSIDE

- ▲ If you are working for long periods on wood or materials which give rise to dangerous dusts, fit the jigsaw with a suitable tested vacuum extraction device.
- ▲ Always use the integrated safety devices on the jigsaw.
- ▲ Do not drill into the jigsaw's housing as that will break the protective insulation (Use stick-on labels, plates etc.).
- ▲ Cracked or deformed saw blades are not to be used.

INSTALLING THE SAWBLADE

Push the saw blade shaft as far as the stop into the blade holder. Take the Allan key (from its holder in the case) and tighten both bolts. To release saw blade unscrew both bolts (counter clockwise).

See Figure ①:

- a) Oscillating rod
- b) Blade holder
- c) Hexagon socket head cap bolt
- d) Saw blade

SETTING THE BASE PLATE

The base plate ⑥ can be set at an angle of up to 45° to the left or right.

Angled setting for mitres / bevels (see Figure ②):

Release the HTF quick release base plate ⑨ and pull the base plate to the rear to disengage from the multi-purpose teeth. With the base plate at the desired angle (15°, 30°, 45°, which can be read from the scale) engage it with the multi-purpose teeth and tighten the HTF quick release base plate again. You can set other angles up to 45° not using the multi-purpose teeth arrangement.

We recommend for very accurate bevelling that you carry out a test cut first.

CHIP GUARD

The chip guard ⑦ stops almost all chips at the cutting edge when working with wood. From the underside of the base plate ⑥, place the chip guard ⑦ into the recess in the base plate ⑥ (see figures, page 3).

WARNING: Take note that this can only be done if the base plate is in its furthest forward position and the anti-slip shoe is removed. Cutting with the chip guard in place can only be done in the 90° position.

SWITCHING ON AND OFF

When using the jigsaw you can select between continuous and non-continuous operation. For short periods of work use the non-continuous setting and for longer periods of work the continuous setting. Select your chosen setting as follows:

SWITCH ON NON-CONTINUOUS OPERATION:

press ON/OFF switch ①.

SWITCH OFF NON-CONTINUOUS OPERATION:

release ON/OFF switch ①.

SWITCH ON CONTINUOUS OPERATION:

press ON/OFF switch ① and with it still pressed fix it in place by pressing the continuous operation locking button ②.

SWITCH OFF CONTINUOUS OPERATION:

press on/off switch ① and release it again.

SETTING THE SPEED

The speed of oscillation (movements of the saw blade per minute) can be set to any value in the range with the speed control wheel ④. The speeds are shown with the numbers 1 – 6 on the control wheel. The numbers mean: 1 = the lowest speed, 6 = the highest speed. Use the following advisory settings as a guide and choose the most suitable setting on the speed control wheel ④ for the material to be sawn.

<u>Material</u>	<u>Speed</u>
Rubber	1-3
Aluminium	4-5
Steel	4-5
Wood	6

SETTING THE PENDULUM ACTION

Use the following advisory settings as a guide (for reference only) to the pendulum action settings and choose an appropriate pendulum setting on the pendulum action control ⑧ for the material to be sawn.

Setting the pendulum action increases or reduces the penetrating effect of the saw blade into the material. The following rules of thumb apply:

- Soft material = large pendulum action**
- Hard material = small or no pendulum action**
- Clean cut edge = no pendulum action**

<u>Material</u>	<u>Pendulum Setting</u>
Rubber	0
Aluminium	0-1
Steel	0
Wood	1-3
Plastic	1
Ceramic	0

Note: the pendulum action setting on the pendulum action control ⑧ can be altered whilst the machine is operating.

PLUNGING CUTS

Plunging (interior cutting or plunge sawing) is only possible in softer materials such as for example wood or light-weight building materials. For harder materials you must insert the saw blade into a suitably sized hole in the material to be sawn. Set the base plate ⑥ (see "Setting the base plate") into the rearmost position so that a good angle for plunging is achieved. See Figure ③:

1. Set the pendulum action on the pendulum control ⑧ to "0"
2. With the machine switched off, place it with the front edge of the base plate ⑥ at the cutting position.
3. Switch the machine on and plunge the oscillating saw carefully into the material.

USE OF THE PARALLEL GUIDE

The PPHSS 670 pendulum action jigsaw is equipped with a parallel guide ⑩. This allows you to make accurate parallel cuts using the mm scale.

Release the quick set mechanism on the parallel guide. Put it into the required position and lock quick set mechanism again. Slide the parallel guide in from the appropriate side, the left or right accordingly. Make sure that the guide surface of the parallel guide points downwards.

VACUUM CHIP EXTRACTOR

Caution!: Only use the equipment with a compatible vacuum chip extractor.

The vacuum chip extraction nozzle ④ has a standard internal diameter of 35 mm.

Connect a household vacuum cleaner or a wet and dry vacuum cleaner to the nozzle as follows:

1. Rotate the vacuum hose on to the extraction nozzle and test whether it is securely held in place.
2. Slide the clear-view cover ⑤ downwards for optimum chip extraction.

MAINTENANCE OF THE JIGSAW

1. Clean the jigsaw regularly (remove chips and bits of wood etc.). For the best results do this straight after the work has been completed.
2. Do not allow liquids to get inside the jigsaw. Use a soft cloth for cleaning the housing. Do not use petrol, solvents or cleaners that may attack the plastic.
3. Air vents must always be clear and clean.

ADVICE ON WORKING METHODS, TIPS AND TRICKS

- Here is some advice on adjustment of the clear-view cover ⑤ to give you optimum chip extraction: the chip blower blows the chips away from the cut. This is particularly effective when sawing along a marked line. The distribution of vibration makes operation smoother because of weights moving in opposite directions on the foot.
- The base plate ⑥ can be set at an angle of up to 45° in both directions. For plunging cuts and sawing near an edge, the base plate can be set towards the rear.
- Here is some advice on the pendulum action control ⑧: the saw blade is only pressed against the material on the return stroke / working stroke. It is moved away from the material on the forward stroke. The result is better removal of chips, less friction and therefore a higher output.
- To avoid the jigsaw springing up and down when sawing sheets, support the sheet on timbers. When sawing metal, apply a coolant like oil or kerosene along the cutting line.
- Adjust the speed and the pendulum action settings to suit the material to be sawn. We always recommend that you carry out a test cut first.
- To use the jig saw put the front end of the base plate on the material and turn the machine on. Press the machine from above on to the material and guide the jigsaw along the cutting line.
- Do not use too much pressure; to achieve the best progress when sawing, use light pressure on the saw blade.
- When sawing along a marked line use the marking on the splitting guard as a guide.
- For exact cutting, clamp a timber batten on to the material as an aid or use the parallel guide ⑩.
- For mitres / bevels, set the base plate ⑥ in the required position.
- Set the base plate ⑥ to its rearmost position for cutting close to an edge.
- The PPHSS 670 pendulum action jigsaw features HIGH TECHNOLOGY FIXING.
This allows you to work simply and easily adjusting the jigsaw without any tools.
All you need are your hands.
- The PPHSS 670 pendulum action jigsaw is equipped with INTELLIGENT POWER CONTROL.
This automatic power control ensures that within a certain oscillation range the output from the jigsaw remains constant even when cutting harder and more resistant materials.



Further practical tips for power tools can be found in the accompanying booklet on safety advice.

We reserve the right to make technical modifications in the course of further development.

PARKSIDE

WARRANTY

This piece of equipment is covered by a **36-month warranty as of the date of purchase**. The equipment was produced with the greatest of care and underwent thorough testing before delivery. In the unlikely event of detecting a functional defect, please return the equipment in its original packaging with the proof of purchase (if available) to the closest service address.

Damage caused due to improper handling as well as regular wear of the parts are not covered by this warranty.

**Beaver Electronic Services · The Lodge, Premier Business Park
Long Street, Walsall · West Midlands, WS2 9DY
Tel.: 019 22/72 55 54 · Fax: 019 22/72 54 17**

WARRANTY

This piece of equipment is covered by a **36-month warranty as of the date of purchase**. The equipment was produced with the greatest of care and underwent thorough testing before delivery. In the unlikely event of detecting a functional defect, please return the equipment in its original packaging with the proof of purchase (if available) to the closest service address.

Damage caused due to improper handling as well as regular wear of the parts are not covered by this warranty.

**Irish Web Specialists
1 Verbena Avenue · Dublin 13
Tel.: 01/8 32 04 92 · Fax: 01/8 39 68 29**

PARKSIDE

Download from Www.Somanuals.com All Manuals Search And Download.



STATEMENT OF CONFORMITY

We, Kompernaß Handelsgesellschaft mbH, Burgstr. 21, D-44867 Bochum, Germany, hereby declare that this product conforms with the following EC regulations:

EC low voltage regulations:	(98/37 EWG), (91/368 EWG), (93/44 EWG), (93/68 EWG)
Electromagnetic compatibility:	(73/23/EWG), (93/68 EWG)
Applicable harmonised standards:	(89/336 EWG), (92/31 EWG), (93/68 EWG)
	EN 50144-1:1998, EN 50144-2-10:1996, EN 55014:1993+A1:1997
	EN 60555-2:1987, EN 61000-3-3:1995, EN 55014-2:1997

Description / Model type:
Bochum, 31.10.2002

PARKSIDE PPHSS 670 PENDULUM ACTION JIGSAW

Hans Kompernaß
- Managing Director -

PARKSIDE

Download from Www.Somanuals.com All Manuals Search And Download.

PARKSIDE



Free Manuals Download Website

<http://myh66.com>

<http://usermanuals.us>

<http://www.somanuals.com>

<http://www.4manuals.cc>

<http://www.manual-lib.com>

<http://www.404manual.com>

<http://www.luxmanual.com>

<http://aubethermostatmanual.com>

Golf course search by state

<http://golfingnear.com>

Email search by domain

<http://emailbydomain.com>

Auto manuals search

<http://auto.somanuals.com>

TV manuals search

<http://tv.somanuals.com>