

---

# **magicolor 1650EN User's Guide**

---

**A034-9571-03A**

## Thank You

Thank you for purchasing a magicolor 1650EN. You have made an excellent choice. Your magicolor 1650EN is specially designed for optimal performance in Windows, Macintosh and Linux environments.

## Trademarks

KONICA MINOLTA and the KONICA MINOLTA logo are trademarks or registered trademarks of KONICA MINOLTA HOLDINGS, INC.

magicolor and PageScope are trademarks or registered trademarks of KONICA MINOLTA BUSINESS TECHNOLOGIES, INC.

All other trademarks and registered trademarks are the property of their respective owners.

## Copyright Notice

Copyright © 2008 KONICA MINOLTA BUSINESS TECHNOLOGIES, INC., Marunouchi Center Building, 1-6-1 Marunouchi, Chiyoda-ku, Tokyo, 100-0005, Japan. All Rights Reserved. This document may not be copied, in whole or part, nor transferred to any other media or language, without written permission of KONICA MINOLTA BUSINESS TECHNOLOGIES, INC.

## Notice

KONICA MINOLTA BUSINESS TECHNOLOGIES, INC. reserves the right to make changes to this guide and to the equipment described herein without notice. Considerable effort has been made to ensure that this guide is free of inaccuracies and omissions. However, KONICA MINOLTA BUSINESS TECHNOLOGIES, INC. makes no warranty of any kind including, but not limited to, any implied warranties of merchantability and fitness for a particular purpose with regard to this guide.

KONICA MINOLTA BUSINESS TECHNOLOGIES, INC. assumes no responsibility for, or liability for, errors contained in this guide or for incidental, special, or consequential damages arising out of the furnishing of this guide, or the use of this guide in operating the equipment, or in connection with the performance of the equipment when so operated.

# SOFTWARE LICENSE AGREEMENT

This package contains the following materials provided by KONICA MINOLTA BUSINESS TECHNOLOGIES, INC. (KMBT): software included as part of the printing system ("Printing Software"), the digitally-encoded machine-readable outline data encoded in the special format and in the encrypted form ("Font Programs"), other software which runs on a computer system for use in conjunction with the Printing Software ("Host Software"), and related explanatory written materials ("Documentation"). The term "Software" shall be used to describe Printing Software, Font Programs and/or Host Software and also include any upgrades, modified versions, additions, and copies of the Software.

The Software is being licensed to you under the terms of this Agreement.

KMBT grants to you a non-exclusive sublicense to use the Software and Documentation, provided that you agree to the following:

1. You may use the Software and accompanying Font Programs for imaging to the licensed output device(s), solely for your own internal business purposes.
2. In addition to the license for Font Programs set forth in Section 1 above, you may use Roman Font Programs to reproduce weights, styles, and versions of letters, numerals, characters and symbols ("Typefaces") on the display or monitor for your own internal business purposes.
3. You may make one backup copy of the Host Software, provided your backup copy is not installed or used on any computer. Notwithstanding the above restrictions, you may install the Host Software on any number of computers solely for use with one or more printing systems running the Printing Software.
4. You may assign its rights under this Agreement to an assignee of all of Licensee's right and interest to such Software and Documentation ("Assignee") provided you transfer to Assignee all copies of such Software and Documentation Assignee agrees to be bound by all of the terms and conditions of this Agreement.
5. You agree not to modify, adapt or translate the Software and Documentation.
6. You agree that you will not attempt to alter, disassemble, decrypt, reverse engineer or decompile the Software.
7. Title to and ownership of the Software and Documentation and any reproductions thereof shall remain with KMBT and its licensor.
8. Trademarks shall be used in accordance with accepted trademark practice, including identification of the trademark owner's name. Trademarks can only be used to identify printed output produced by the Software. Such use of any trademark does not give you any rights of ownership in that trademark.
9. You may not rent, lease, sublicense, lend or transfer versions or copies of the Software Licensee does not use, or Software contained on any unused media, except as part of the permanent transfer of all Software and Documentation as described above.
10. IN NO EVENT WILL KMBT OR ITS LICENSOR BE LIABLE TO YOU FOR ANY CONSEQUENTIAL, INCIDENTAL INDIRECT, PUNITIVE OR SPECIAL DAMAGES, INCLUDING ANY LOST PROFITS OR LOST SAVING, EVEN IF KMBT HAS BEEN ADVISED OF THE POSSIBILITY OF SUCH DAMAGES, OR FOR ANY CLAIM BY ANY THIRD PARTY. KMBT OR ITS LICENSOR DISCLAIMS ALL WARRANTIES WITH REGARD TO THE SOFTWARE, EXPRESS OR IMPLIED, INCLUDING, WITHOUT LIMITATION IMPLIED WARRANTIES OF MERCHANTABILITY, FITNESS FOR A PARTICULAR PURPOSE, TITLE AND NON-INFRINGEMENT OF THIRD PARTY RIGHTS. SOME STATES OR JURISDICTIONS DO NOT ALLOW THE EXCLUSION OR LIMITATION OF INCIDENTAL, CONSEQUENTIAL OR SPECIAL DAMAGES, SO THE ABOVE LIMITATIONS MAY NOT APPLY TO YOU.

11. Notice to Government End Users: The Software is a “commercial item,” as that term is defined at 48 C.F.R.2.101, consisting of “commercial computer software” and “commercial computer software documentation,” as such terms are used in 48 C.F.R. 12.212. Consistent with 48 C.F.R. 12.212 and 48 C.F.R. 227.7202-1 through 227.7202-4, all U.S. Government End Users acquire the Software with only those rights set forth herein.
12. You agree that you will not export the Software in any form in violation of any applicable laws and regulations regarding export control of any countries.

## **About Adobe Color Profile**

### ADOBE SYSTEMS INCORPORATED COLOR PROFILE LICENSE AGREEMENT

NOTICE TO USER: PLEASE READ THIS CONTRACT CAREFULLY. BY USING ALL OR ANY PORTION OF THE SOFTWARE YOU ACCEPT ALL THE TERMS AND CONDITIONS OF THIS SOFTWARE YOU ACCEPT ALL THE TERMS AND CONDITIONS OF THIS AGREEMENT. IF YOU DO NOT AGREE WITH THE TERMS OF THIS AGREEMENT, DO NOT USE THE SOFTWARE.

1. **DEFINITIONS** In this Agreement, “Adobe” means Adobe Systems Incorporated, a Delaware corporation, located at 345 Park Avenue, San Jose, California 95110. “Software” means the software and related items with which this Agreement is provided.
2. **LICENSE** Subject to the terms of this Agreement, Adobe hereby grants you the worldwide, non-exclusive, nontransferable, royalty-free license to use, reproduce and publicly display the Software. Adobe also grants you the rights to distribute the Software only (a) as embedded within digital image files and (b) on a standalone basis. No other distribution of the Software is allowed; including, without limitation, distribution of the Software when incorporated into or bundled with any application software. All individual profiles must be referenced by their ICC Profile description string. You may not modify the Software. Adobe is under no obligation to provide any support under this Agreement, including upgrades or future versions of the Software or other items. No title to the intellectual property in the Software is transferred to you under the terms of this Agreement. You do not acquire any rights to the Software except as expressly set forth in this Agreement.
3. **DISTRIBUTION** If you choose to distribute the Software, you do so with the understanding that you agree to defend, indemnify and hold harmless Adobe against any losses, damages or costs arising from any claims, lawsuits or other legal actions arising out of such distribution, including without limitation, your failure to comply with this Section 3. If you distribute the Software on a standalone basis, you will do so under the terms of this Agreement or your own license agreement which (a) complies with the terms and conditions of this Agreement; (b) effectively disclaims all warranties and conditions, express or implied, on behalf of Adobe; (c) effectively excludes all liability for damages on behalf of Adobe; (d) states that any provisions that differ from this Agreement are offered by you alone and not Adobe and (e) states that the Software is available from you or Adobe and informs licensees how to obtain it in a reasonable manner on or through a medium customarily used for software exchange. Any distributed Software will include the Adobe copyright notices as included in the Software provided to you by Adobe.

4. **DISCLAIMER OF WARRANTY** Adobe licenses the Software to you on an “AS IS” basis. Adobe makes no representation as to the adequacy of the Software for any particular purpose or to produce any particular result. Adobe shall not be liable for loss or damage arising out of this Agreement or from the distribution or use of the Software or any other materials. ADOBE AND ITS SUPPLIERS DO NOT AND CANNOT WARRANT THE PERFORMANCE OR RESULTS YOU MAY OBTAIN BY USING THE SOFTWARE, EXCEPT FOR ANY WARRANTY, CONDITION, REPRESENTATION OR TERM TO THE EXTENT TO WHICH THE SAME CANNOT OR MAY NOT BE EXCLUDED OR LIMITED BY LAW APPLICABLE TO YOU IN YOUR JURISDICTION, ADOBE AND ITS SUPPLIERS MAKE NO WARRANTIES, CONDITIONS, REPRESENTATIONS OR TERMS, EXPRESS OR IMPLIED, WHETHER BY STATUTE, COMMON LAW, CUSTOM, USAGE OR OTHERWISE AS TO ANY OTHER MATTERS, INCLUDING BUT NOT LIMITED TO NON-INFRINGEMENT OF THIRD PARTY RIGHTS, INTEGRATION, SATISFACTORY QUALITY OR FITNESS FOR ANY PARTICULAR PURPOSE. YOU MAY HAVE ADDITIONAL RIGHTS WHICH VARY FROM JURISDICTION TO JURISDICTION. The provisions of Sections 4, 5 and 6 shall survive the termination of this Agreement, howsoever caused, but this shall not imply or create any continued right to use the Software after termination of this Agreement.
5. **LIMITATION OF LIABILITY** IN NO EVENT WILL ADOBE OR ITS SUPPLIERS BE LIABLE TO YOU FOR ANY DAMAGES, CLAIMS OR COSTS WHATSOEVER OR ANY CONSEQUENTIAL, INDIRECT, INCIDENTAL DAMAGES, OR ANY LOST PROFITS OR LOST SAVINGS, EVEN IF AN ADOBE REPRESENTATIVE HAS BEEN ADVISED OF THE POSSIBILITY OF SUCH LOSS, DAMAGES, CLAIMS OR COSTS OR FOR ANY CLAIM BY ANY THIRD PARTY. THE FOREGOING LIMITATIONS AND EXCLUSIONS APPLY TO THE EXTENT PERMITTED BY APPLICABLE LAW IN YOUR JURISDICTION. ADOBE’S AGGREGATE LIABILITY AND THAT OF ITS SUPPLIERS UNDER OR IN CONNECTION WITH THIS AGREEMENT SHALL BE LIMITED TO THE AMOUNT PAID FOR THE SOFTWARE. Nothing contained in this Agreement limits Adobe’s liability to you in the event of death or personal injury resulting from Adobe’s negligence or for the tort of deceit (fraud). Adobe is acting on behalf of its suppliers for the purpose of disclaiming, excluding and/or limiting obligations, warranties and liability as provided in this Agreement, but in no other respects and for no other purpose.
6. **TRADEMARKS** Adobe and the Adobe logo are the registered trademarks or trademarks of Adobe in the United States and other countries. With the exception of referential use, you will not use such trademarks or any other Adobe trademark or logo without separate prior written permission granted by Adobe.
7. **TERM** This Agreement is effective until terminated. Adobe has the right to terminate this Agreement immediately if you fail to comply with any term hereof. Upon any such termination, you must return to Adobe all full and partial copies of the Software in your possession or control.
8. **GOVERNMENT REGULATIONS** If any part of the Software is identified as an export controlled item under the United States Export Administration Act or any other export law, restriction or regulation (the “Export Laws”), you represent and warrant that you are not a citizen, or otherwise located within, an embargoed nation (including without limitation Iran, Iraq, Syria, Sudan, Libya, Cuba, North Korea, and Serbia) and that you are not otherwise prohibited under the Export Laws from receiving the Software. All rights to use the Software are granted on condition that such rights are forfeited if you fail to comply with the terms of this Agreement.

9. **GOVERNING LAW** This Agreement will be governed by and construed in accordance with the substantive laws in force in the State of California as such laws are applied to agreements entered into and to be performed entirely within California between California residents. This Agreement will not be governed by the conflict of law rules of any jurisdiction or the United Nations Convention on Contracts for the International Sale of Goods, the application of which is expressly excluded. All disputes arising out of, under or related to this Agreement will be brought exclusively in the state Santa Clara County, California, USA.
10. **GENERAL** You may not assign your rights or obligations granted under this Agreement without the prior written consent of Adobe. None of the provisions of this Agreement shall be deemed to have been waived by any act or acquiescence on the part of Adobe, its agents, or employees, but only by an instrument in writing signed by an authorized signatory of Adobe. When conflicting language exists between this Agreement and any other agreement included in the Software, the terms of such included agreement shall apply. If either you or Adobe employs attorneys to enforce any rights arising out of or relating to this Agreement, the prevailing party shall be entitled to recover reasonable attorneys' fees. You acknowledge that you have read this Agreement, understand it, and that it is the complete and exclusive statement of your agreement with Adobe which supersedes any prior agreement, oral or written, between Adobe and you with respect to the licensing to you of the Software. No variation of the terms of this Agreement will be enforceable against Adobe unless Adobe gives its express consent, in writing, signed by an authorized signatory of Adobe.

## **ICC Profile for TOYO INK Standard Color on Coated paper (TOYO Offset Coated 2.1)**

This ICC Profile (TOYO Offset Coated 2.1) characterizes Japanese offset press on Coated paper and is fully compatible with ICC profile format.

About "TOYO INK Standard Color on Coated paper"

This is the standard for color reproduction of sheet-fed offset press on Coated paper made by TOYO INK MFG.CO., LTD. ("TOYO INK").

This standard is made from printing test with using TOYO INK's sheet-fed offset printing inks and TOYO INK's own printing conditions.

"TOYO INK Standard Color on Coated paper" is compatible with "JAPAN COLOR".

### Agreement

1. The reproduction of images on a printer or a monitor using this ICC Profile do not completely match the TOYO INK Standard Color on Coated paper.
2. Any and all copyrights of this ICC Profile shall remain in TOYO INK; therefore you shall not transfer, provide, rent, distribute, disclose, or grant any rights in this ICC Profile to any third party without the prior written consent of TOYO INK.
3. In no event will TOYO INK its directors, officers, employees or agents be liable to you for any consequential or incidental, either direct or indirect, damages(including damages for loss of business profits, business interruption, loss of business information, and the like) arising out of the use or inability to use this ICC Profile.
4. TOYO INK shall not be responsible for answering any question related to this ICC Profile.

5. All company names and product names used in this document is the trademarks or registered trademarks of their respective holder.

This ICC Profile made by GretagMacbeth ProfileMaker and granted TOYO INK certain license to distribute by GretagMacbeth AG.

TOYO Offset Coated 2.1 © TOYO INK MFG. CO., LTD. 2004

## DIC STANDARD COLOR PROFILE LICENSE AGREEMENT

IMPORTANT: PLEASE READ THIS STANDARD COLOR PROFILE LICENSE AGREEMENT ("LICENSE AGREEMENT") CAREFULLY BEFORE USING THE DIC STANDARD COLOR PROFILE, INCLUDING THE DIC STANDARD SFC\_AM2.0, DIC STANDARD SFM\_AM2.0, DIC STANDARD SFU\_AM2.0, DIC STANDARD SFC\_FM2.0, DIC WAKIMIZU SFC\_AM2.0, DIC WAKIMIZU SFC\_FM2.0, DIC ABILIO SFC\_AM1.0, DIC HY-BRYTE SFC\_AM1.0, DIC STANDARD WEBC\_AM2.1, DIC STANDARD WEBC\_FM2.1, DIC NEWSCOLOR\_AM1.0, DIC NEWSCOLOR\_FM1.0, PROVIDED BY DIC HEREWITH, AND ANY CORRESPONDING ONLINE OR ELECTRONIC DOCUMENTATION AND ALL UPDATES OR UPGRADES OF THE ABOVE THAT ARE PROVIDED TO YOU (COLLECTIVELY, THE "PROFILE").

THIS LICENSE AGREEMENT IS A LEGAL AGREEMENT BETWEEN YOU (EITHER AN INDIVIDUAL OR, IF ACQUIRED BY OR FOR AN ENTITY, AN ENTITY) AND DIC CORPORATION, A JAPANESE COMPANY ("DIC"). THIS LICENSE AGREEMENT PROVIDES A LICENSE TO USE THE PROFILE AND CONTAINS WARRANTY INFORMATION AND LIABILITY DISCLAIMERS. IF YOU DO NOT AGREE TO BE BOUND BY ALL OF THESE TERMS, YOU MAY NOT USE THE PROFILE.

### 1. License Grant

DIC grants you a gratis non-exclusive and non-transferable license to use the Profile and to allow your employees and authorized agents, if any, to use the Profile, solely in connection with their work for you, subject to all of the limitations and restrictions in this License Agreement.

### 2. Ownership

The foregoing license gives you limited license to use the Profile. You will own the rights in the media containing the recorded Profile, but DIC retains all right, title and interest, including all copyright and intellectual property rights, in and to, the Profile and all copies thereof. All rights not specifically granted in this License Agreement, including all copyrights, are reserved by DIC.

### 3. Term

- a. This License Agreement is effective until terminated.
- b. You may terminate this License Agreement by notifying DIC in writing of your intention to terminate this License Agreement and by destroying, all copies of the Profile in your possession or control.
- c. DIC may terminate this License Agreement without prior notice to you if you fail to comply with any of the terms and conditions of this License Agreement (either directly or through your employees or agents), retroactive to the time of such failure to comply. In such event, you must immediately stop using the Profile and destroy all copies of the Profile in your possession or control.
- d. All provisions in this License Agreement relating to warranty disclaimers (Section 5) and the limitation of liability (Section 6) shall survive any termination of this License Agreement.

4. License Method and Restrictions
  - a. You may install and use the Profile on a single desktop computer; provided, however, that, notwithstanding anything contrary contained herein, you may not use the Profile on any network system or share, install or use the Profile concurrently on different computers, or electronically transfer the Profile from one computer to another or over a network.
  - b. You may not make or distribute copies, fix, alter, merge, modify, adapt, sublicense, transfer, sell, rent, lease, gift or distribute all or a portion of the Profile, or modify the Profile or create derivative works based upon the Profile.
  - c. You acknowledge that the Profile is not intended for any usage which may cause death or physical injury or environmental damage and agree not to use the Profile for such usage.
  - d. You shall not use the Profile to develop any software or other technology having the same primary function as the Profile, including but not limited to using the Profile in any development or test procedure that seeks to develop like software or other technology, or to determine if such software or other technology performs in a similar manner as the Profile.
  - e. DIC and other trademarks contained in the Profile are trademarks or registered trademarks of DIC in Japan and/or other countries. You may not remove or alter any trademark, trade names, product names, logo, copyright or other proprietary notices, legends, symbols or labels in the Profile. This License Agreement does not authorize you to use DIC's or its licensors' names or any of their respective trademarks.
5. WARRANTY DISCLAIMER
  - a. THE PROFILE IS PROVIDED TO YOU FREE OF CHARGE, AND ON AN "AS-IS" BASIS, IN ACCORDANCE WITH THE TERMS AND COONDITIONS OF THIS LICENSE AGREEMENT. DIC PROVIDES NO TECHNICAL SUPPORT, WARRANTIES OR REMEDIES FOR THE PROFILE.
  - b. DIC DISCLAIMS ALL WARRANTIES AND REPRESENTATIONS, WHETHER EXPRESS, IMPLIED, OR OTHERWISE, INCLUDING BUT NOT LIMITED TO, THE WARRANTIES OF MERCHANTABILITY OR FITNESS FOR A PARTICULAR PURPOSE, NON-INFRINGEMENT, TITLE AND QUIET ENJOYMENT. YOU SHALL ASSUME AND BE FULLY LIABLE AND RESPONSIBLE FOR ALL RISKS IN CONNECTION WITH YOUR USE OF THE PROFILE. DIC DOES NOT WARRANT THAT THE PROFILE IS FREE OF DEFECTS OR FLAWS OR WILL OPERATE WITHOUT INTERRUPTION, AND IS NOT RESPONSIBLE FORCORRECTING OR REPAIRING ANY DEFECTS OR FLAWS, FOR FEE OR GRATIS. NO RIGHTS OR REMEDIES WILL BE CONFERRED ON YOU UNLESS EXPRESSLY GRANTED HEREIN.
6. LIMITATION OF LIABILITY

DIC SHALL NOT BE LIABLE TO YOU OR ANY THIRD PARTY FOR ANY DIRECT, INDIRECT, SPECIAL, INCIDENTAL, PUNITIVE, COVER OR CONSEQUENTIAL DAMAGES (INCLUDING, BUT NOT LIMITED TO, DAMAGES FOR THE INABILITY TO USE EQUIPMENT OR ACCESS DATA, LOSS OF BUSINESS, LOSS OF PROFITS, BUSINESS INTERRUPTION OR THE LIKE), ARISING OUT OF THE USE OF, OR INABILITY TO USE, THE PROFILE AND BASED ON ANY THEORY OF LIABILITY INCLUDING BREACH OF CONTRACT, BREACH OF WARRANTY, TORT (INCLUDING NEGLIGENCE), PRODUCT LIABILITY OR OTHERWISE, EVEN IF DIC OR ITS REPRESENTATIVES HAVE BEEN ADVISED OF THE POSSIBILITY OF SUCH DAMAGES. THE FOREGOING LIMITATIONS ON LIABILITY SHALL APPLY TO ALL ASPECTS OF THIS LICENSE AGREEMENT.
7. General
  - a. This License Agreement shall be governed and construed in accordance with the laws of Japan, without giving effect to principles of conflict of laws. If any provision of this License Agreement shall be held by a court of competent jurisdiction to be contrary to law, that provision will be enforced to the maximum extent permissible, and the remaining provisions of



this License Agreement will remain in full force and effect. You hereby consent to the exclusive jurisdiction and venue of Tokyo District Court to resolve any disputes arising under this License Agreement.

b. This License Agreement contains the complete agreement between the parties with respect to the subject matter hereof, and supersedes all prior or contemporaneous agreements or understandings, whether oral or written. You agree that any varying or additional terms contained in any written notification or document issued by you in relation to the Profile licensed hereunder shall be of no effect.

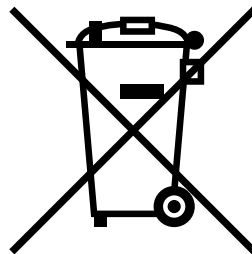
c. The failure or delay of DIC to exercise any of its rights under this License Agreement or upon any breach of this License Agreement shall not be deemed a waiver of those rights or of the breach.

## For EU member states only

This symbol means: **Do not dispose of this product together with your household waste!**

Please contact the Local Authority for appropriate disposal instructions. In the case of a new device being purchased, the used one can also be given to our dealer for appropriate disposal. Recycling of this product will help to conserve natural resources and prevent potential negative consequences for the environment and human health caused by inappropriate waste handling.

This product complies with RoHS (2002/95/EC) directive.



---

# Contents

---

<b>1 Introduction .....</b>	<b>1-1</b>
<b>Getting Acquainted with Your Printer .....</b>	<b>1-2</b>
Space Requirements.....	1-2
Printer Parts .....	1-4
Front View.....	1-4
Rear View .....	1-5
Front View with Options .....	1-6
Rear View with Options.....	1-7
<b>Printer Driver CD/DVD .....</b>	<b>1-8</b>
PostScript Drivers .....	1-8
PCL Drivers.....	1-8
PPD Files .....	1-8
<b>Utilities and Documentation CD/DVD .....</b>	<b>1-9</b>
Utilities.....	1-9
Documentation.....	1-10
<b>System Requirements .....</b>	<b>1-11</b>

<b>2</b>	<b>Using the Printer Driver .....</b>	<b>2-1</b>
	<b>Selecting Driver Options/Defaults (for Windows) .....</b>	<b>2-2</b>
	Windows Server 2008/Vista/XP/Server 2003/2000 (KONICA MINOLTA mc1650 PCL6, KONICA MINOLTA mc1650 PS) .....	2-2
	<b>Uninstalling the Printer Driver (for Windows) .....</b>	<b>2-4</b>
	Windows Server 2008/Vista/XP/Server 2003/2000 (KONICA MINOLTA mc1650 PCL6, KONICA MINOLTA mc1650 PS) .....	2-4
	<b>Displaying Printer Driver Settings (for Windows) .....</b>	<b>2-5</b>
	Windows Server 2008/Vista .....	2-5
	Windows XP/Server 2003 .....	2-5
	Windows 2000 .....	2-5
	<b>Using the Postscript and PCL Printer Driver .....</b>	<b>2-6</b>
	Common Buttons .....	2-6
	OK .....	2-6
	Cancel .....	2-6
	Apply .....	2-6
	Help .....	2-6
	Favorite Setting .....	2-6
	Advanced Tab (PostScript Printer Driver Only) .....	2-7
	Basic Tab .....	2-8
	Layout Tab .....	2-8
	Cover Page Tab .....	2-8
	Watermark/Overlay Tab .....	2-8
	Quality Tab .....	2-9
	Other Tab .....	2-9
	Limitations on printer driver functions installed with Point and Print .....	2-10
<b>3</b>	<b>Using the Status Monitor (Windows Only) .....</b>	<b>3-1</b>
	<b>Working with the Status Monitor .....</b>	<b>3-2</b>
	Introduction .....	3-2
	Operating Environment .....	3-2
	Opening the Status Monitor .....	3-2
	Using the Status Monitor .....	3-2
	<b>Recognizing Status Monitor Alerts .....</b>	<b>3-3</b>
	<b>Recovering from a Status Monitor Alert .....</b>	<b>3-3</b>
	<b>Closing the Status Monitor .....</b>	<b>3-3</b>
<b>4</b>	<b>Printer Control Panel and Configuration Menu .....</b>	<b>4-1</b>
	<b>About the Control Panel .....</b>	<b>4-2</b>
	Control Panel Indicators and Keys .....	4-2
	Toner Supply Indicators .....	4-4
	<b>Configuration Menu Overview .....</b>	<b>4-5</b>
	Menu .....	4-5
	MAIN MENU .....	4-6

PRINT MENU.....	4-6
PAPER MENU .....	4-8
QUALITY MENU .....	4-13
INTERFACE MENU .....	4-17
SYSTEM DEFAULT .....	4-22
SERVICE MENU.....	4-26
LANGUAGE MENU.....	4-27
<b>5 Media Handling .....</b>	<b>5-1</b>
<b>Print Media .....</b>	<b>5-2</b>
<b>Media Types .....</b>	<b>5-3</b>
Plain Paper.....	5-3
Thick Stock.....	5-4
Envelopes .....	5-5
Labels.....	5-6
Letterhead .....	5-7
Postcards .....	5-7
<b>Printable Area .....</b>	<b>5-8</b>
Envelopes .....	5-9
Page Margins .....	5-9
<b>Loading Media .....</b>	<b>5-10</b>
Tray 1 (Multipurpose Tray).....	5-10
Loading Plain Paper.....	5-10
Other Media .....	5-13
Loading Envelopes .....	5-13
Loading Labels/Postcard/Thick Stock and Letterhead.....	5-16
Tray 2 .....	5-18
Loading Plain Paper.....	5-18
<b>Duplexing .....</b>	<b>5-21</b>
<b>Output Tray .....</b>	<b>5-22</b>
<b>Media Storage .....</b>	<b>5-23</b>
<b>6 Replacing Consumables .....</b>	<b>6-1</b>
<b>Replacing Consumables .....</b>	<b>6-2</b>
About Toner Cartridges.....	6-2
Replacing a Toner Cartridge.....	6-5
Removing All Toner Cartridges.....	6-12
Replacing the Imaging Cartridge.....	6-16
Replacing the Fuser Unit.....	6-19
<b>7 Maintaining the Printer .....</b>	<b>7-1</b>
<b>Maintaining the Printer .....</b>	<b>7-2</b>
<b>Cleaning the Printer .....</b>	<b>7-4</b>
Exterior.....	7-4
Interior.....	7-5
Cleaning the Media Feed Roller .....	7-5

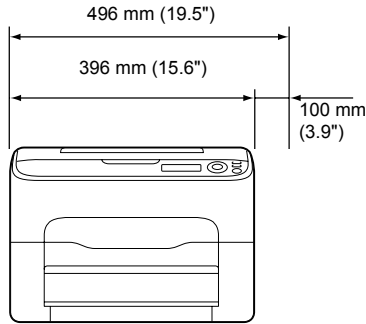
	Cleaning the Print Head Window .....	7-9
	Cleaning the Media Feed Rollers for Tray 2 .....	7-18
	Cleaning the Media Feed Rollers for the attachment.....	7-20
	Cleaning the Duplex Feed Rollers .....	7-22
<b>8</b>	<b>Troubleshooting .....</b>	<b>8-1</b>
	<b>Introduction .....</b>	<b>8-2</b>
	<b>Printing a Configuration Page .....</b>	<b>8-2</b>
	<b>Preventing Media Misfeeds .....</b>	<b>8-4</b>
	<b>Understanding the Media Path .....</b>	<b>8-5</b>
	<b>Clearing Media Misfeeds .....</b>	<b>8-5</b>
	Media Misfeed Messages and Clearing Procedures.....	8-6
	Clearing a Media Misfeed in the Printer.....	8-7
	Clearing a Media Misfeed From Tray 1.....	8-13
	Clearing a Media Misfeed From Tray 2.....	8-14
	Clearing a Media Misfeed from the Duplex Option .....	8-17
	<b>Solving Problems with Media Misfeeds .....</b>	<b>8-19</b>
	<b>Solving Other Problems .....</b>	<b>8-21</b>
	<b>Solving Problems with Printing Quality .....</b>	<b>8-25</b>
	<b>Status, Error, and Service Messages .....</b>	<b>8-31</b>
	Standard Status Messages.....	8-31
	Error Messages (Warning).....	8-32
	Error Messages (Operator Call).....	8-34
	Service Messages.....	8-36
<b>9</b>	<b>Installing Accessories .....</b>	<b>9-1</b>
	<b>Introduction .....</b>	<b>9-2</b>
	<b>Tray 2 .....</b>	<b>9-3</b>
	Installing Tray 2.....	9-3
	<b>Duplex Option .....</b>	<b>9-6</b>
	Installing Attachment.....	9-6
	Installing the Duplex Option .....	9-8
<b>A</b>	<b>Appendix .....</b>	<b>A-1</b>
	<b>Technical Specifications .....</b>	<b>A-2</b>
	Printer.....	A-2
	Consumable Life Expectancy Chart.....	A-5
	<b>Our Concern for Environmental Protection .....</b>	<b>A-6</b>
	What is an ENERGY STAR product? .....	A-6

# *Introduction* 1

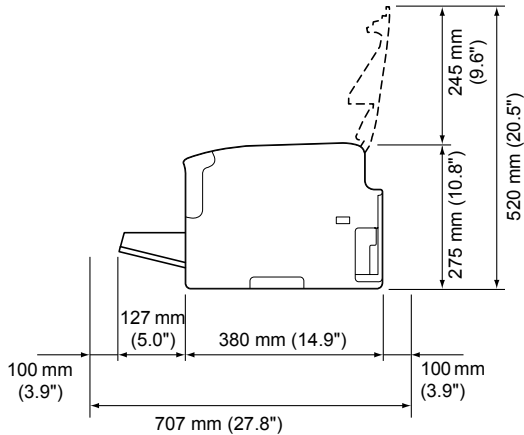
# Getting Acquainted with Your Printer

## Space Requirements

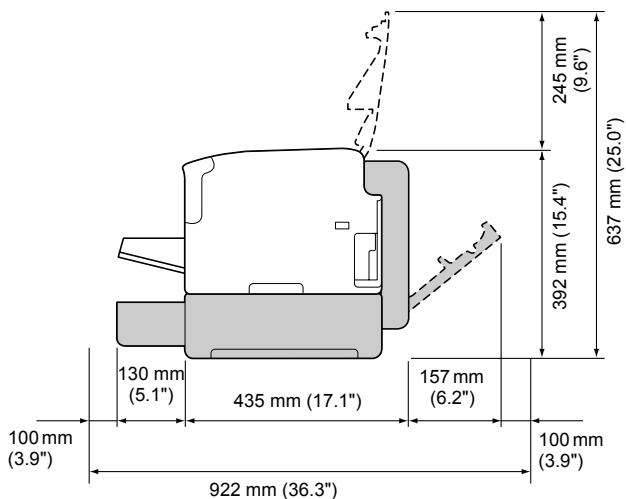
To ensure easy operation, consumable replacement and maintenance, adhere to the recommended space requirements detailed below.



Front View



Side View

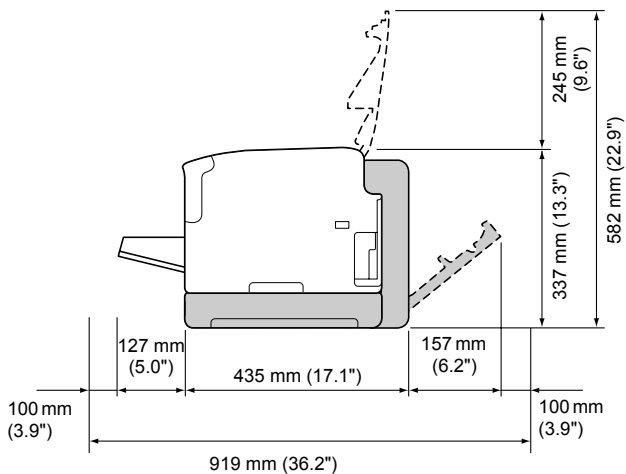


Side View with Options

(when Tray 2 and the duplex option are installed)



The option appears shaded in the above illustrations.



Side View with Options

(when the attachment and duplex option are installed)



The option appears shaded in the above illustrations.

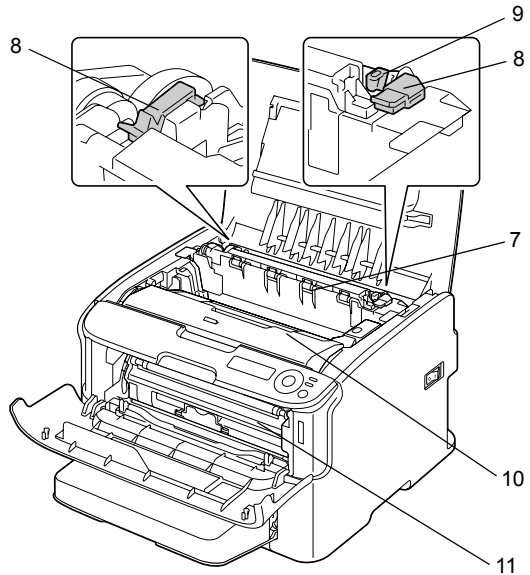
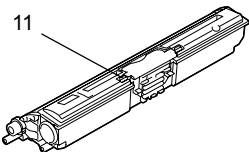
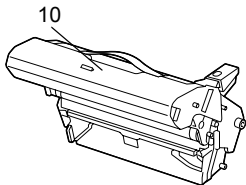
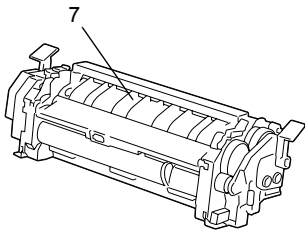
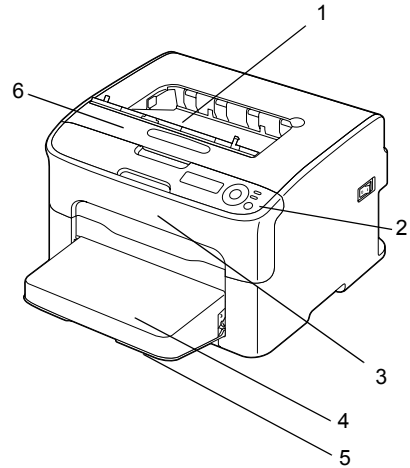


## Printer Parts

The following drawings illustrate the parts of your printer referred to throughout this guide, so please take some time to become familiar with them.

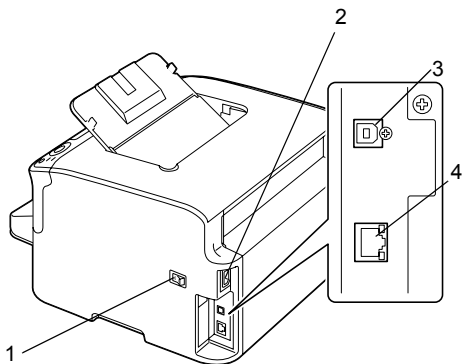
### Front View

- 1—Output tray
- 2—Control panel
- 3—Front cover
- 4—Dust cover
- 5—Tray 1 (Multipurpose tray)
- 6—Top cover
- 7—Fuser unit
- 8—Fuser separator levers
- 9—Fuser cover lever
- 10—Imaging cartridge
- 11—Toner cartridge



## Rear View

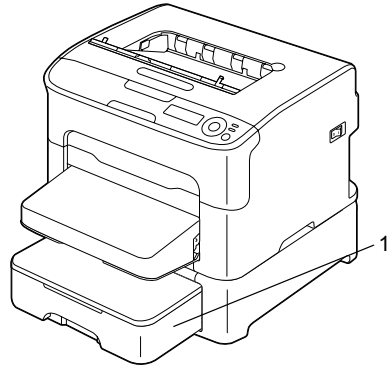
- 1—Power switch
- 2—Power connection
- 3—USB port
- 4—10Base-T/100Base-TX  
Ethernet Interface port



## Front View with Options

(when Tray 2 is installed)

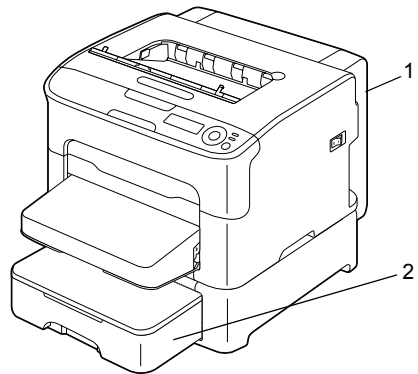
1—Lower feeder unit (Tray 2)



(when Tray 2 and duplex option are installed)

1—Duplex option

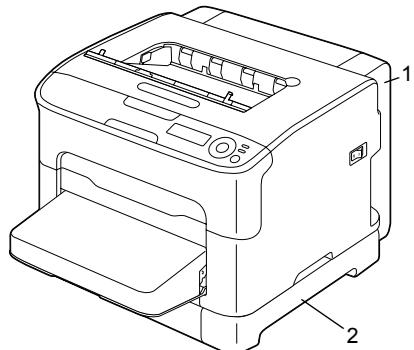
2—Lower feeder unit (Tray 2)



(when the attachment and duplex option are installed)

1—Duplex option

2—Attachment

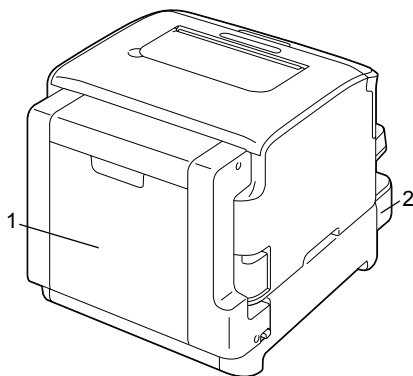


## Rear View with Options

(when Tray 2 and duplex option are installed)

1—Duplex option

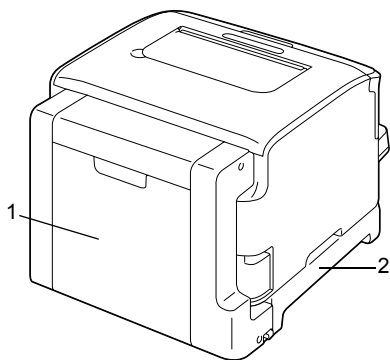
2—Lower feeder unit (Tray 2)



(when the attachment and duplex option are installed)

1—Duplex option

2—Attachment



# Printer Driver CD/DVD

## PostScript Drivers

Operating System	Use/Benefit
Windows Server 2008/Vista/XP/ Server 2003/2000	These drivers give you access to all of the printer features. See also "Displaying Printer Driver Settings (for Windows)" on page 2-5.
Windows Server 2008/Vista/XP/ Server 2003 for 64bit	

## PCL Drivers

Operating System	Use/Benefit
Windows Server 2008/Vista/XP/ Server 2003/2000	These drivers give you access to all of the printer features. See also "Displaying Printer Driver Settings (for Windows)" on page 2-5.
Windows Server 2008/Vista/XP/ Server 2003 for 64bit	

## PPD Files

Operating System	Use/Benefit
Macintosh OS X (10.2.8/10.3/10.4/ 10.5)	These files are required in order to use the printer driver for each operating system. For details of the Macintosh and Linux printer drivers, refer to the Reference Guide on the Utilities and Documentation CD/DVD.
Macintosh OS X Server (10.2/10.3/ 10.4/10.5)	
Red Hat Linux 9.0, SuSE Linux 8.2	



*For details on the installation of the Windows printer drivers, refer to the Installation Guide.*

# Utilities and Documentation CD/DVD

## Utilities

Utility	Use/Benefit
Status Monitor (Windows only)	The current status of the printer in addition to the status of consumables and error information can be viewed. For details, refer to chapter 3 "Using the Status Monitor (Windows Only)" .
PageScope Net Care Device Manager	Printer management functions such as status monitoring and network settings can be accessed. For details, refer to the PageScope Net Care Device Manager User's Guide on the Utilities and Documentation CD/DVD.
PageScope Network Setup	Using the TCP/IP and IPX protocols, basic network printer settings can be specified. For details, refer to the PageScope Network Setup User Manual on the Utilities and Documentation CD/DVD.
PageScope Plug and Print	This utility automatically detects a new printer connected to the network and creates a print object on the Windows print server. For details, refer to the PageScope Plug and Print Quick Guide on the Utilities and Documentation CD/DVD.
PageScope NDPS Gateway	This network utility enables printers and KONICA MINOLTA multifunctional products to be used in an NDPS environment. For details, refer to the PageScope NDPS Gateway User Manual on the Utilities and Documentation CD/DVD.
PageScope Direct Print	This application provides functions for sending PDF and TIFF files directly to a printer to be printed. For details, refer to the PageScope Direct Print User's Guide on the Utilities and Documentation CD/DVD.

## Documentation

<b>Documentation</b>	<b>Use/Benefit</b>
Installation Guide	This manual provides details on the initial operations that must be performed in order to use this printer, such as setting up the printer and installing the drivers.
User's Guide (this manual)	This manual provides details on general daily operations, such as using the drivers and control panel and replacing consumables.
Reference Guide	This manual provides details on installing the Macintosh and Linux drivers and on specifying settings for the network, and the printer management utility.
Service & Support Guide	The Need Assistance sheet provides information on product support and servicing.

# System Requirements

- Personal computer
  - Pentium 2: 400 MHz (Pentium 3: 500 MHz or higher is recommended)
  - PowerPC G3 or later (G4 or later is recommended)
  - Macintosh equipped with an Intel processor
- Operating System
  - Microsoft Windows  
Windows Server 2008 Standard/Enterprise, Windows Server 2008 Standard/Enterprise x64 Edition,  
Windows Vista Home Basic/Home Premium/Ultimate/Business/Enterprise,  
Windows Vista Home Basic /Home Premium /Ultimate/Business / Enterprise x64 Edition,  
Windows XP Home Edition/Professional (Service Pack 1 or later; Service Pack 2 or later is recommended),  
Windows XP Professional x64 Edition,  
Windows Server 2003,  
Windows Server 2003 x64 Edition,  
Windows 2000 (Service Pack 4 or later)
  - Mac OS X (10.2.8 or later; We recommend installing the newest patch), Mac OS X Server (10.2 or later)
  - Red Hat Linux 9.0, SuSE Linux 8.2
- Free hard disk space
  - Approximately 20 MB of free hard disk space for printer driver and Status Monitor
  - Approximately 128 MB of free hard disk space for image processing
- RAM  
128 MB or more
- CD/DVD-ROM drive
- I/O interface
  - 10Base-T/100Base-TX Ethernet interface port
  - USB 2.0 High-Speed compliant port



*For details on the Macintosh and Linux printer drivers, refer to the Reference Guide on the Utilities and Documentation CD/DVD.*






# *Using the Printer Driver* **2**

# Selecting Driver Options/Defaults (for Windows)

Before you start working with your printer, you are advised to verify/change the default driver settings. Also, in case you have options installed, you should “declare” the options in the driver.

## Windows Server 2008/Vista/XP/Server 2003/2000 (KONICA MINOLTA mc1650 PCL6, KONICA MINOLTA mc1650 PS)

- 1 Choose the driver's properties as follows:
  - (Windows Server 2008/Vista)  
From the **Start** menu, click **Control Panel**, then **Hardware and Sound**, and then click **Printers** to open the Printers directory. Right-click the KONICA MINOLTA mc1650 PCL6 or KONICA MINOLTA mc1650 PS printer icon, and then click **Properties**.
  - (Windows XP/Server 2003)  
From the **Start** menu, choose **Printers and Faxes** to display the **Printers and Faxes** directory. Right-click the KONICA MINOLTA mc1650 PCL6 or KONICA MINOLTA mc1650 PS printer icon and choose **Properties**.
  - (Windows 2000)  
From the **Start** menu, choose **Settings** and then **Printers** to display the **Printers** directory. Right-click the KONICA MINOLTA mc1650 PCL6 or KONICA MINOLTA mc1650 PS printer icon and choose **Properties**.
- 2 If you have installed options, proceed with the next step. Otherwise, skip to step 9.
- 3 Select the **Configure** tab.
- 4 Check that the installed options are correctly listed. If not, proceed with the next step. Otherwise, continue with step 8.
- 5 Click the **Refresh** to automatically configure installed options.  
 *The **Refresh** is available only if bi-directional communication is available with the printer; otherwise it is grayed out.*
- 6 From the **Device Options** list, select an option, one at a time, and then select **Enable** or **Disable** from the **Settings** menu.
- 7 Click **Apply**.
- 8 Select the **General** tab.
- 9 Click **Printing Preferences**.  
The Printing Preference dialog box appears.

- 10 Select the default settings for your printer, such as the default media format you use, on the appropriate tabs.
- 11 Click **Apply**.
- 12 Click **OK** to exit from the Print preference dialog box.
- 13 Click **OK** to exit from the Properties dialog box.

# Uninstalling the Printer Driver (for Windows)

This section describes how to uninstall the printer driver if necessary.



*You must have administrator privileges in order to uninstall the printer driver.*



*If the User Account Control window appears when uninstalling on Windows Server 2008/Vista, click the Allow button or the Continue button.*

## **Windows Server 2008/Vista/XP/Server 2003/2000 (KONICA MINOLTA mc1650 PCL6, KONICA MINOLTA mc1650 PS)**

- 1** Close all applications.
- 2** Choose the Uninstall Program as follows:
  - (Windows Server 2008/Vista/XP/Server 2003)  
From the **Start** menu, choose **All programs, KONICA MINOLTA, magicolor 1650**, and then **Uninstall Printer Driver**.
  - (Windows 2000)  
From the **Start** menu, choose **Programs, KONICA MINOLTA, magicolor 1650**, and then **Uninstall Printer Driver**.
- 3** When the Uninstall dialog box appears, select the name of the driver to be deleted, and then click the **Uninstall** button.
- 4** Click **Uninstall**.
- 5** Click **OK**, and restart your computer.
- 6** The printer driver will be uninstalled from your computer.

# Displaying Printer Driver Settings (for Windows)

## Windows Server 2008/Vista

- 1 From the **Start** menu, click **Control Panel**, then **Hardware and Sound**, and then click **Printers** to open the Printers directory.
- 2 Right-click the KONICA MINOLTA mc1650 PCL6, or KONICA MINOLTA mc1650 PS printer icon, and then click **Printing Preferences**.

## Windows XP/Server 2003

- 1 From the **Start** menu, choose **Printers and Faxes** to display the **Printers and Faxes** directory.
- 2 Right-click the KONICA MINOLTA mc1650 PCL6 or KONICA MINOLTA mc1650 PS printer icon and choose **Printing Preferences**.

## Windows 2000

- 1 From the **Start** menu, point to **Settings**, and then click **Printers** to display the **Printers** directory.
- 2 Right-click the KONICA MINOLTA mc1650 PCL6 or KONICA MINOLTA mc1650 PS printer icon and choose **Printing Preferences**.

# Using the Postscript and PCL Printer Driver

## Common Buttons

The buttons described below appear on each tab.

### OK

Click to exit the Properties dialog box, saving any changes made.

### Cancel

Click to exit the Properties dialog box without saving any changes made.

### Apply

Click to save all changes without exiting the Properties dialog box.

### Help

Click to view the help.

## Favorite Setting

This allows the current settings to be saved. To save the current settings, specify the desired settings, and then click **Add**. Specify the settings described below, and then click **OK**.

- **Name:** Type in the name of the settings to be saved.
- **Icon:** Select an icon from the icon list to easily identify the settings. The selected icon appears in the drop-down list.
- **Sharing:** Specify whether or not the settings to be saved can be used by other users logged onto the computer.
- **Comment:** Add a simple comment to the settings to be saved.

Afterward, the saved settings can be selected from the drop-down list. To change the registered setting, click **Edit**.

In addition, predefined settings can be selected.

The predefined settings are those for "2-up", "Photo" and "Grayscale".

Select **Defaults** from the drop-down list to reset the functions in all tabs to their default values.

### ■ Printer View

Click the button to display an image of the printer in the figure area.

When this button is clicked, it changes to the **Paper View** button (when a tab other than the **Quality** tab is selected) or the **Quality View** button (when the **Quality** tab is selected).



*This button does not appear on the **Advanced** tab.*

### ■ Paper View

Click the button to display a sample of the page layout in the figure area.

When this button is clicked, it changes to the **Printer View** button.



*This button does not appear on the **Quality** tab.*

### ■ Quality View

Click the button to display a sample of the settings selected in the **Quality** tab.

When this button is clicked, it changes to the **Printer View** button.



*This button appears only when the **Quality** tab is selected.*

### ■ Default

Click the button to reset the settings to their defaults.



*This button does not appear on the **Advanced** tab.*



*When this button is clicked, the settings in the displayed dialog box are reset to their defaults. The settings on other tabs are not changed.*

## Advanced Tab (PostScript Printer Driver Only)

The Advanced Tab allows you to

- Select whether to enable or disable the settings for advanced printing functions (such as booklet printing)
- Specify the PostScript output method
- Specify whether or not the error messages of a print job are printed
- Print a mirror image
- Specify whether or not the application can directly output PostScript data



## Basic Tab

The Basic Tab allows you to

- Specify the orientation of the media
- Specify the size of the original document
- Select the output media size
- Zoom (expand/reduce) documents
- Specify the paper source
- Specify the type of media
- Specify the number of copies

## Layout Tab

The Layout Tab allows you to

- Print several pages of a document on the same page (N-up printing)
- Print a single copy for enlargement and print several pages (PCL printer driver only)
- Specify booklet printing (when the duplex option is installed)
- Rotate the print image 180 degrees
- Specify whether or not blank pages are printed (PCL printer driver only)
- Specify duplex (double-sided) printing (when the duplex option is installed)
- Adjust the binding margin
- Adjust the printing position (PCL printer driver only)

## Cover Page Tab

The Cover Page Tab allows you to

- Print front and back cover pages and separator pages
- Specify the paper tray that contains the paper for the front and back cover pages and separator pages

## Watermark/Overlay Tab



*Be sure to use overlays with print jobs with a paper size and orientation that matches the overlay form.*

*In addition, if settings have been specified for “N-up” or “Booklet” in the printer driver, the overlay form cannot be adjusted to match the specified settings.*

The settings in the "Watermark" function of the Watermark/Overlay tab allows you to

- Select the watermark to be used
- Create, edit or delete watermarks
- Print a frame around watermarks
- Print transparent (shaded) watermarks
- Print the watermark on only the first page
- Print the watermark repeatedly throughout the all pages

The settings in the "Overlay" function of the Watermark/Overlay tab allows you to

- Select the form to use
- Add or delete overlay files
- Create a form (PCL printer driver only)
- Specify that the document and form are printed overlapping (PCL printer driver only)
- Display the form information (PCL printer driver only)
- Print the form on All Pages, First Page, Even Pages and Odd Pages
- Place the form in back of the document or in front on the printed document (PCL printer driver only)

## Quality Tab

The Quality Tab allows you to

- Switch between color and grayscale printing
- Specify the printer color settings (Quick Color)
- Specify the resolution for the printout
- Specify the amount of details in graphic patterns (PCL printer driver only)
- Specify the image compression method (PCL printer driver only)
- Select whether or not economy printing is used
- Specify the format of fonts that are to be downloaded
- Print using the printer's fonts

## Other Tab

The Other Tab allows you to

- Select that Microsoft Excel sheets are not to be divided when printing

- Select that the white background of Microsoft PowerPoint data does not hide overlay files (PCL printer driver only)
- Send a notification by e-mail when printing is finished
- Shows the version information for the printer driver

## **Limitations on printer driver functions installed with Point and Print**

If Point and Print is performed with the following server and client combinations, there are limitations on some printer driver functions.

- Server and client combinations  
Server: Windows Server 2008/Server 2003/XP/2000/Vista  
Client: Windows Server 2008/Server 2003/XP/2000/Vista
- Functions with limitations applied  
Booklet, Skip Blank Pages, Front Cover Page, Back Cover Page, Separator Page, Create Overlay, Print Overlay, Watermark

***Using the Status  
Monitor  
(Windows Only)***

**3**

# Working with the Status Monitor

## Introduction

The Status Monitor shows information about the current status of the printer.

The Status Monitor can be installed from the Utilities and Documentation CD/DVD.

For details on the installation, refer to the Reference Guide on the Utilities and Documentation CD/DVD.

## Operating Environment

The Status Monitor can be used on computers running Windows Vista/XP/Server 2003/2000 connected to the printer using the Ethernet connection.

## Opening the Status Monitor

Use one of the following steps to open the Status Monitor:

- **Windows Vista/XP/Server 2003**—From the **Start** menu, choose **All Programs, KONICA MINOLTA**, and then **Status Monitor**. Double-click the Status Monitor icon displayed in the taskbar.
- **Windows 2000**—From the **Start** menu, choose **Programs, KONICA MINOLTA**, and then **Status Monitor**. Double-click the Status Monitor icon displayed in the task bar.

## Using the Status Monitor

### Status Tab

- **Select Printer**—Selects the printer whose status is displayed. In addition, the messages that appear in the message window of the selected printer are displayed.
- **Graphic**—Normally, the Konica Minolta logo is displayed. When a printer error is detected, a graphic representation of the printer is shown, and the location of the problem is indicated. When the background of the printer graphic is red or yellow, there is an error and the job has been interrupted.
- **Advanced Options**—Click **Advanced Options** to display the Advanced Options dialog box. From the Advanced Options dialog box, select whether the Status Monitor automatically starts when the operating system is started and whether error notifications are sent by e-mail.
- **Order Supplies**—Click **Order Supplies** to automatically access the order page for supplies. The address of the page that is accessed can be specified from the Advanced Options dialog box.

- **Printer Alerts**—Displays text messages that alert you of conditions such as low toner.
- **Recovery Instructions**—Provides you with explanations of what you need to do in order to correct problems and recover from error conditions.

### Consumables Tab

Displays the usage status (approximate percentage remaining) of each toner consumables.

- **Order Supplies**—Click **Order Supplies** to automatically access the order page for supplies. The address of the page that is accessed can be specified from the Advanced Options dialog box.
- **Refresh**—Rechecks the supplies and displays their status.



*Click **Help** to display windows containing explanations of the Status Monitor functions. Refer to this help for detailed information.*



*The percentages remaining for the consumables displayed using the Status Monitor may be different from the actual amounts and should be used only as reference.*

## Recognizing Status Monitor Alerts

When the Status Monitor detects a printing problem, the icon on the Windows task bar changes from green (normal) to yellow (warning), orange or red (error), depending on the severity of the printer problem.

## Recovering from a Status Monitor Alert

When the Status Monitor notifies you of a printing problem, double-click its icon on the Windows task bar to open the Status Monitor. The Status Monitor identifies what type of error has occurred.

## Closing the Status Monitor

Click **Close** to close the Status Monitor window. To exit Status Monitor, right-click the Status Monitor icon in the taskbar, and then click **Exit**.



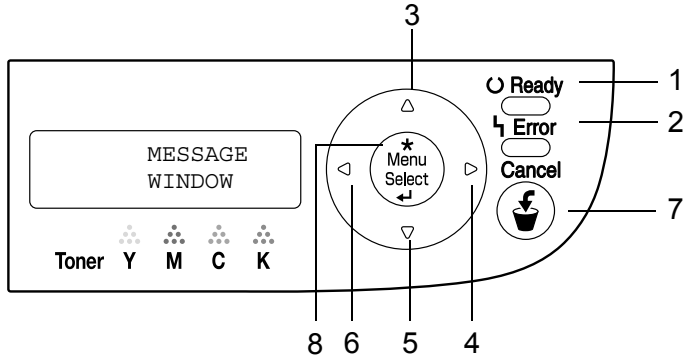
***Printer Control  
Panel and  
Configuration  
Menu***

**4**











# About the Control Panel

The control panel, located on the top of the printer, allows you to direct the printer's operation. In addition, it displays the current status of the printer, including any condition that needs your attention.



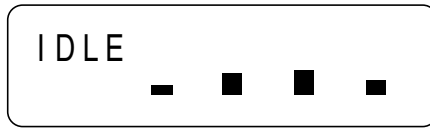
## Control Panel Indicators and Keys

No.	Indicator	Off	On
1	 Ready	The printer is not ready to accept data.	The printer is ready to accept data.
2	 Error	No problem.	The printer requires operator attention (usually accompanied by a status message in the message window.)

No.	Indicator	Function
3		<ul style="list-style-type: none"> <li>■ Moves up in the menu structure</li> <li>■ Within a menu choice that is changeable character by character, scrolls upward through the available characters</li> </ul>
4		<ul style="list-style-type: none"> <li>■ Moves right in the menu structure</li> <li>■ Moves right through the available menu choices</li> </ul>
5		<ul style="list-style-type: none"> <li>■ Moves down in the menu structure.</li> <li>■ Within a menu choice that is changeable character by character, scrolls downward through the available characters</li> </ul>
6		<ul style="list-style-type: none"> <li>■ Moves left in the menu structure</li> <li>■ Moves left through the available menu choices</li> </ul>
7	<p data-bbox="325 632 408 655"><b>Cancel</b></p> 	<ul style="list-style-type: none"> <li>■ Cancels the currently displayed menu choice</li> <li>■ Allows you to cancel one or all print jobs that are currently being printed or processed:</li> </ul> <ol style="list-style-type: none"> <li>1. Press the <b>Cancel</b> key.</li> <li>2. Press the ► or ◀ keys to select either CANCEL JOB/CURRENT or CANCEL JOB/ALL</li> <li>3. Press the <b>Menu Select</b> key. The print job(s) is (are) cancelled.</li> </ol>
8	<p data-bbox="322 943 420 1078"><b>* Menu Select</b></p> 	<ul style="list-style-type: none"> <li>■ Enters the menu system</li> <li>■ Moves down in the menu structure</li> <li>■ Selects the displayed menu choice</li> </ul>

## Toner Supply Indicators

The indicators shown below will appear, indicating the amount of toner that remains in the yellow (Y), magenta (M), cyan (C), and black (K) toner cartridges.

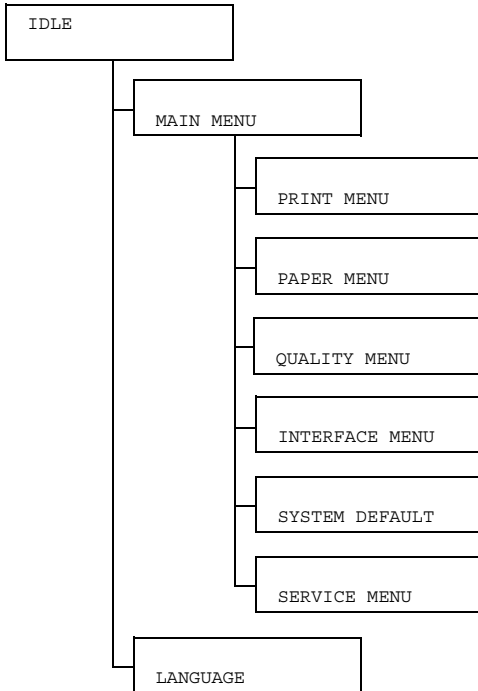


Toner  Y  M  C  K

# Configuration Menu Overview

The configuration menu accessible from the control panel is structured as shown below.

## Menu

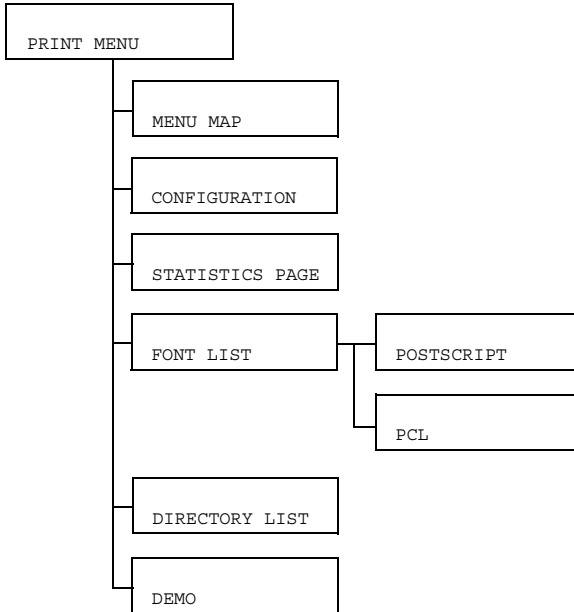


*If MAIN MENU/SYSTEM DEFAULT/SECURITY/CONFIG/ENABLE is set to ON, the user password or administrator password must be entered to display the main menu. The displayed menu is different according to the authority of the entered password. For details on the default passwords, refer to “SYSTEM DEFAULT” on page 4-22.*

# MAIN MENU

## PRINT MENU

With this menu, printer information, such as the configuration page and the demo page, can be printed.



*All factory default values are shown in bold.*

MENU MAP	Settings	<b>YES</b> /NO
	Prints the menu map.	
CONFIGURA-TION	Settings	<b>YES</b> /NO
	Prints the configuration page.	
STATISTICS PAGE	Settings	<b>YES</b> /NO
	Prints the statistics page such as the number of pages printed.	

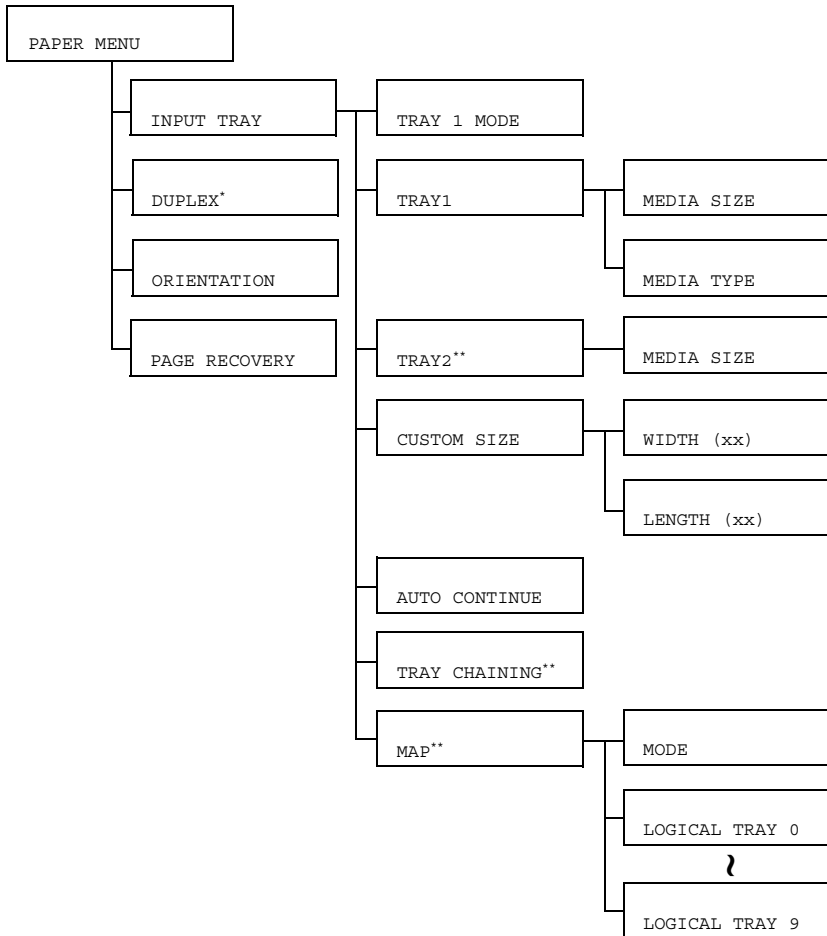
FONT LIST	POST SCRIPT	Settings	<b>YES</b> /NO
		Prints the PostScript font list.	
	PCL	Settings	<b>YES</b> /NO
		Prints the PCL font list.	
DIRECTORY LIST	Settings	<b>YES</b> /NO	
	Prints the directory list of the flash.		
DEMO	Settings	<b>YES</b> /NO	
	Prints the demo page.		



*The amounts remaining for the supplies status and coverage information displayed using the statistics page may be different from the actual amounts and should be used only as reference.*

# PAPER MENU

With this menu, the media used for printing can be managed.





\* This menu item appears only if the duplex option is installed.



\*\* These menu items appear only if an optional lower feeder unit is installed.



All factory default values are shown in bold.

INPUT TRAY	TRAY 1 MODE	Settings	<b>AUTO/CASSETTE</b>
		<p>When printing from Tray 1, select whether the paper size and paper type set from the printer driver or the MEDIA SIZE and MEDIA TYPE settings set by selecting MAIN MENU/PAPER MENU/INPUT TRAY/TRAY 1 in the control panel have priority.</p> <p>If AUTO is selected, the printer driver settings have priority during printing.</p> <p>If CASSETTE is selected, printing is performed when the printer driver settings and the control panel settings are all the same.</p>	
	TRAY1	MEDIA SIZE	Settings <b>LETTER/LEGAL/EXECUTIVE/A4/A5/B5/B5 (ISO)/G LETTER/STATEMENT/FOLIO/UK QUARTO/FOLSCAP/G LEGAL/C6/DL/J-POSTCARD/KAI 16/KAI 32/16K/SP FOLIO/OFCIO/CUSTOM</b>
			<p>Select the setting for the size of paper loaded into Tray 1.</p> <p> <i>The default setting for North America is LETTER. The default setting for all other regions is A4.</i></p>
	MEDIA TYPE	Settings	<b>PLAIN PAPER/LABELS/LETTERHEAD/ENVELOPE/POSTCARD/THICK1/THICK2</b>
		<p>Select the setting for the type of paper loaded into Tray 1.</p>	
TRAY2	MEDIA SIZE	Settings	<b>LETTER/A4</b>
		<p>Select the setting for the size of paper loaded into Tray 2.</p> <p> <i>The default setting for North America is LETTER. The default setting for all other regions is A4.</i></p>	



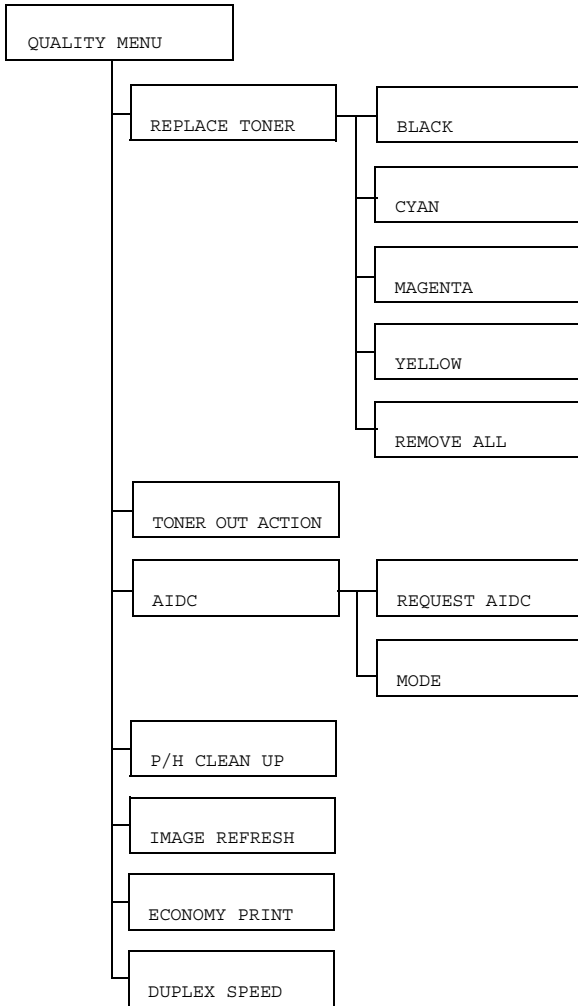
	CUSTOM SIZE	WIDTH (xx)	<p><b>Settings</b></p> <p><b>92-216 mm</b> <b>(3.63-8.50 inch) *</b></p> <p>* With inch measurements, the decimal point does not appear in the message window.</p> <p>For example, 3.63 inches appears as 363.</p>
			<p>Specify the width of the custom-sized paper loaded into Tray 1.</p> <p> <i>On the model for North America, the settings appear in inches and the menu item appears as WIDTH (IN). On the models for all other regions, the settings appear in millimeters and the menu item appears as WIDTH (MM).</i></p>
		LENGTH (xx)	<p><b>Settings</b></p> <p>■ With plain paper</p> <p><b>195-356 mm</b> <b>(7.69-14.01 inch) *</b></p> <p>■ With thick stock</p> <p><b>184-297 mm</b> <b>(7.24-11.70 inch) *</b></p> <p>* With inch measurements, the decimal point does not appear in the message window.</p> <p>For example, 7.69 inches appears as 769.</p>
			<p>Specify the length of the custom-sized paper loaded into Tray 1.</p> <p> <i>On the model for North America, the settings appear in inches and the menu item appears as LENGTH (IN). On the models for all other regions, the settings appear in millimeters and the menu item appears as LENGTH (MM).</i></p>

	AUTO CONTINUE	Settings	ON/OFF	
		<p>If OFF is selected, an error occurs if the size of paper being printed on is different from the size of paper specified in the printer driver.</p> <p>If ON is selected, no error occurs if the size of paper being printed on is different from the size of paper specified in the printer driver.</p>		
	TRAY CHAINING	Settings	YES/NO	
		<p>If YES is selected and the specified paper tray runs out of paper during printing, a paper tray loaded with paper of the same size is automatically selected so printing can continue.</p> <p>If NO is selected and the specified paper tray runs out of paper, printing stops.</p>		
MAP	MODE	Settings	ON/OFF	
		Select whether or not the Tray Mapping function is used.		
	LOGICAL TRAY 0-9	Settings	<b>PHYSICAL TRAY 1/ PHYSICAL TRAY 2</b>	
	<p>Specify whether jobs received from another manufacturer's printer driver are printed using Tray 1 or Tray 2.</p> <p>PHYSICAL TRAY 2 is the default only for LOGICAL TRAY 2. The default for all other logical trays is PHYSICAL TRAY 1.</p>			
DUPLEX	Settings	OFF/SHORTEdge/LONGEDGE		
	<p>If LONGEDGE is selected, the pages will be printed on both sides of the paper for long-edge binding.</p> <p>If SHORTEdge is selected, the pages will be printed on both sides of the paper for short-edge binding.</p>			
ORIENTATION	Settings	PORTRAIT/LANDSCAPE		
	Specify the orientation of the media.			

PAGE RECOV- ERY	Settings	ON/OFF
	<p>Select whether or not the page is printed again after recovering from a paper misfeed.</p> <p>If ON is selected, the page that was misfed is printed again.</p> <p>If OFF is selected, printing continues with the next page without printing the misfed page.</p>	

# QUALITY MENU



With this menu, settings for the print quality can be specified.





All factory default values are shown in bold.

REPLACE TONER	BLACK	Settings	<b>YES</b> /NO
	<p>If <b>YES</b> is selected, the carousel rotates to the black toner cartridge, so that it can be replaced.</p> <p>For details on replacing the toner cartridge, refer to "Replacing a Toner Cartridge" on page 6-5.</p>		
	CYAN	Settings	<b>YES</b> /NO
	<p>If <b>YES</b> is selected, the carousel rotates to the cyan toner cartridge, so that it can be replaced.</p> <p>For details on replacing the toner cartridge, refer to "Replacing a Toner Cartridge" on page 6-5.</p>		
	MAGENTA	Settings	<b>YES</b> /NO
<p>If <b>YES</b> is selected, the carousel rotates to the magenta toner cartridge, so that it can be replaced.</p> <p>For details on replacing the toner cartridge, refer to "Replacing a Toner Cartridge" on page 6-5.</p>			
REPLACE TONER	YELLOW	Settings	<b>YES</b> /NO
	<p>If <b>YES</b> is selected, the carousel rotates to the yellow toner cartridge, so that it can be replaced.</p> <p>For details on replacing the toner cartridge, refer to "Replacing a Toner Cartridge" on page 6-5.</p>		
REPLACE TONER	REMOVE ALL	Settings	<b>YES</b> /NO
	<p>If <b>YES</b> is selected, the printer enters REMOVE ALL mode.</p> <p>This mode is used when removing all toner cartridges.</p> <p>For details on removing all toner cartridges, refer to "Removing All Toner Cartridges" on page 6-12.</p>		
TONER OUT ACTION	Settings	<b>STOP</b> /CONTINUE	
	<p>If <b>STOP</b> is selected, printing stops when the toner cartridge is empty.</p> <p>If <b>CONTINUE</b> is selected, printing continues even if the toner cartridge is empty. However, the printing result are not guaranteed. If printing is continued, the message "X TONER LIFE END" appears and printing stops.</p>		

AIDC	REQUEST AIDC	Settings	YES/NO
		<p>If YES is selected, image adjustments are performed.</p> <p> <i>The AIDC function consumes toner.</i></p>	
	MODE	Settings	ON/OFF
		<p>If ON is selected, the image adjustments are applied.</p> <p>If OFF is selected, image adjustments are not applied.</p>	
P/H CLEAN UP	Settings	YES/NO	
		<p>If YES is selected, the printer enters P/H CLEAN UP mode.</p> <p>P/H CLEAN UP mode is a mode that allows the user to clean the print head window more easily. The print head window is not cleaned automatically.</p> <p>For details on cleaning the print head window, refer to “Cleaning the Print Head Window” on page 7-9.</p>	
IMAGE REFRESH	Settings	YES/NO	
		<p>Use when thin white horizontal lines appear at intervals on images.</p> <p> <i>The IMAGE REFRESH function consumes toner.</i></p>	
ECONOMY PRINT	Settings	ON/OFF	
		<p>Select whether to print graphics with a reduced density by reducing the amount of toner that is used.</p> <p>If ON is selected, the amount of toner used is reduced when printing.</p> <p>If OFF is selected, the amount of toner used is not reduced when printing.</p>	

DUPLEX SPEED	Settings	<b>AUTOMATIC</b> /SPEED/QUALITY
	<p>Select the print speed for double-sided printing.</p> <p>If <b>AUTOMATIC</b> is selected, the print speed is automatically selected.</p> <p>If <b>SPEED</b> is selected, the print speed has priority; however, the print quality may decrease.</p> <p>If <b>QUALITY</b> is selected, the print quality has priority; therefore, the print speed will decrease while the print quality may increase.</p>	

## INTERFACE MENU

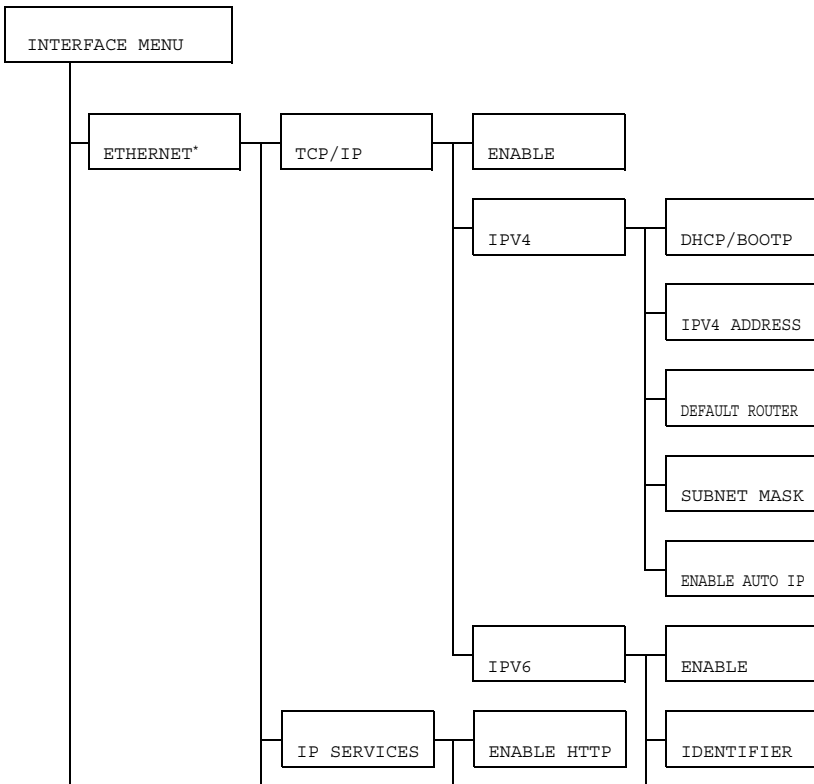
With this menu, interface settings can be specified.

The printer must be rebooted after any setting in the ETHERNET menu (for example, the TCP/IP address) is changed.

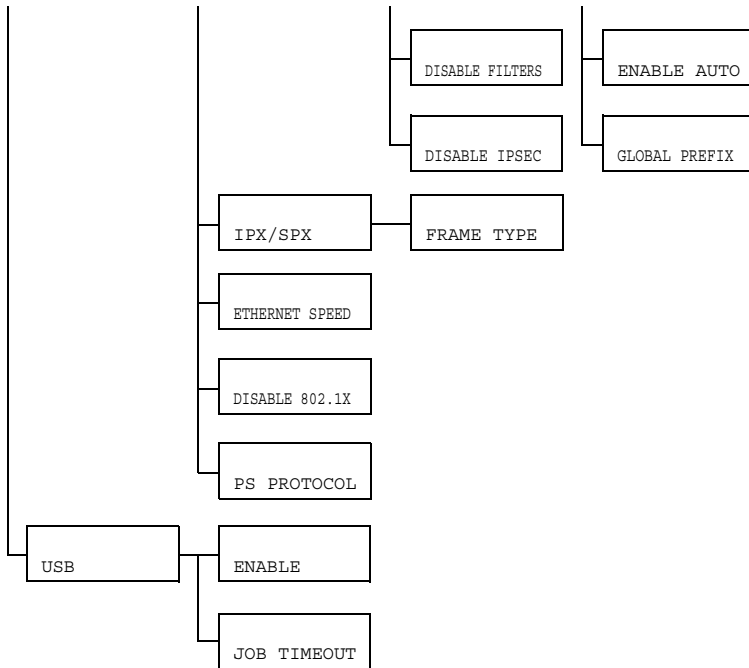
Therefore, the following message appears when the configuration menu is exited (the ▲ key is repeatedly pressed) after a setting has been changed. Select YES, and then press the **Menu Select** key to reboot the printer.

REBOOT  
\*YES

Otherwise, turn off the printer, and then turn the printer on again after a few seconds.







*\* If MAIN MENU/SYSTEM DEFAULT/SECURITY/CONFIG/ENABLE is set to ON, the administrator password must be entered to display this menu.  
For details on the default administrator password, refer to "SYSTEM DEFAULT" on page 4-22.*



All factory default values are shown in bold.

ETHER- NET	TCP/IP	ENABLE	Settings	<b>YES/NO</b>	
			If YES is selected, TCP/IP is enabled. If NO is selected, TCP/IP is disabled.		
	IPV4	DHCP/ BOOTP	Settings	<b>YES/NO</b>	
			Select whether or not the IP address is automatically acquired.  If YES is selected, the IP address is automatically acquired.  If NO is selected, the IP address is not automatically acquired.		
			IPV4 ADDRESS	Settings	<b>192.168.001.002</b>
			Set the IPv4 address for this printer on the network.  Use the ▲, ▼, ◀, and ▶ keys to specify the value.  If the IP address is manually specified, DHCP/BOOTP is automatically set to NO.		
	DEFAULT ROUTER	Settings	<b>000.000.000.000</b>		
		Specify the IPv4 address of the router if one is on the network. Use the ▲, ▼, ◀, and ▶ keys to specify the value.			
	SUBNET MASK	Settings	<b>000.000.000.000</b>		
		Specify the subnet mask for the network.  Use the ▲, ▼, ◀, and ▶ keys to specify the value.			

		ENABLE AUTO IP	Settings	YES/NO	Select whether or not the IPv4 address is automatically acquired when DHCP/BOOTP and PING, ARP are not functioning or when there is no response.  If YES is selected, the IP address is automatically acquired.  If NO is selected, the IP address is not automatically acquired.		
		IPV6	ENABLE	Settings	YES/NO	If YES is selected, IPv6 is enabled.  If NO is selected, IPv6 is disabled.	
			IDENTIFI - FIER	Displays the Link-Local address.			
			ENABLE AUTO	Settings	YES/NO	If YES is selected, auto configuration of IPv6 is enabled.  If NO is selected, auto configuration of IPv6 is disabled.	
			GLOBAL PREFIX	Displays the global address.			
	IP SER- VICES	ENABLE HTTP	Settings	YES/NO			
		If YES is selected, HTTP is enabled.  If NO is selected, HTTP is disabled.					
		DISABLE FILTERS	Settings	YES/NO			
	If YES is selected, filter is disabled.						
	DISABLE IPSEC	Settings	YES/NO				
If YES is selected, IPsec is disabled.							

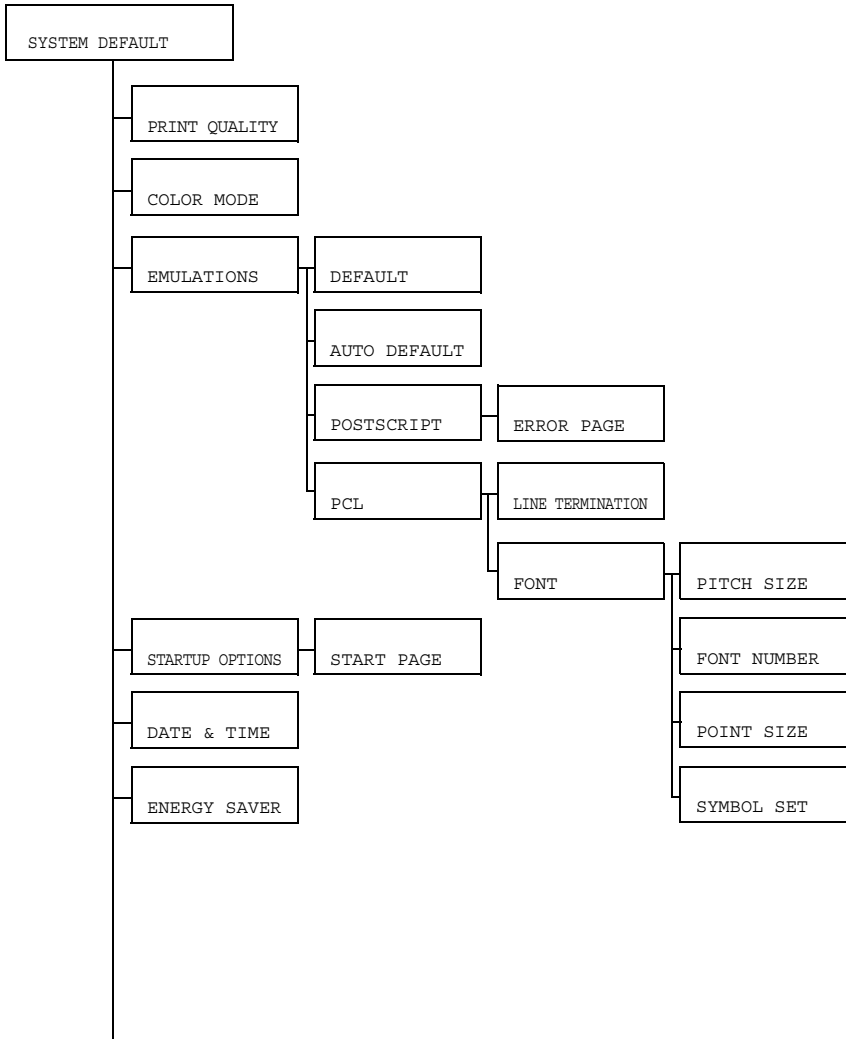
	IPX/SPX	FRAME TYPE	Settings	<b>AUTO</b> /802.2/802.3/ETHER II/SNAP
			Specify the protocol used with NetWare.	
	ETHER- NET SPEED	Settings	<b>AUTO</b> /100 FULL DUPLEX/100 HALF DUPLEX/10 FULL DUPLEX/10 HALF DUPLEX	
			Specify the transmission speed for the network and the transmission method for bi-directional transmission.	
	DIS- ABLE 802.1X	Settings	<b>YES/NO</b>	
If <b>YES</b> is selected, IEEE802.1x function is disabled.				
PS PRO- TOCOL	Settings	<b>BINARY</b> /QUOTED BINARY		
	Select whether PostScript jobs are received in the binary format or the quoted format.			
USB	ENABLE	Settings	<b>YES/NO</b>	
		If <b>YES</b> is selected, USB is enabled.  If <b>NO</b> is selected, USB is disabled.		
	JOB TIMEOUT	Settings	0 - <b>60</b> - 999	
		Specify the length of time (in seconds) until the print job being received is timed out when USB is being used.		

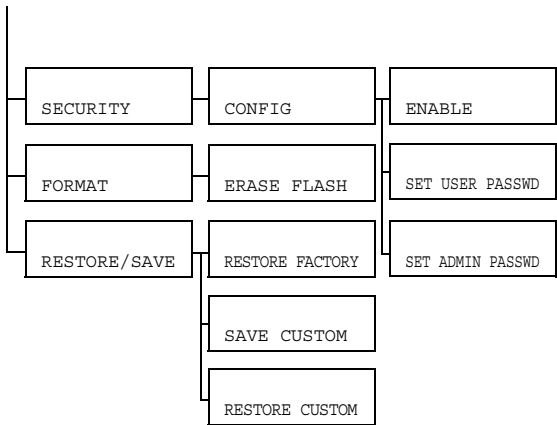
## SYSTEM DEFAULT

With this menu, settings can be specified to adjust the operation of the printer, such as the time until the machine enters Energy Saver mode.




*If MAIN MENU/SYSTEM DEFAULT/SECURITY/CONFIG/ENABLE is set to ON, the administrator password must be entered to display this menu.*








All factory default values are shown in bold.

PRINT QUALITY	Settings	<b>HIGH</b> /STANDARD
	Select the image quality for prints.	
COLOR MODE	Settings	<b>COLOR</b> /GRAYSCALE
	Specify whether printing is in full color or grayscale.	
 <i>The color mode setting specified from the printer driver has priority over the setting specified for this menu item.</i>		

EMULA- TIONS	DEFAULT	Settings	<b>AUTOMATIC</b> /POSTSCRIPT/PCL5/ PCL XL/HEX DUMP		
		Specify the printer control language.  If <b>AUTOMATIC</b> is selected, the printer automatically selects the printer control language from the data stream.			
	AUTO DEFAULT	Settings	<b>PCL5</b> /POSTSCRIPT		
		Select the printer description language when it cannot be identified from the data.			
	POST- SCRIPT	ERROR PAGE	Settings	<b>ON</b> /OFF	
			Select whether or not an error page is printed when a PostScript error occurs.		
PCL	LINE TERMI- NATION	Settings	<b>CR=CR LF=CRLF</b> / CR=CR LF=LF/ CR=CRLF LF=LF/ CR=CRLF LF=CRLF		
		Select the definitions of the CR/LF codes in the PCL language.			
	FONT	PITCH SIZE	Settings	44 - <b>1000</b> - 9999	
			Specify the bitmap font size in the PCL language.		
		FONT NUMBER	Settings	0 - 32767	
			Specify the font used with the PCL language.  The font numbers that appear correspond to the PCL font list. For details on printing the font list, refer to "PRINT MENU" on page 4-6.		
POINT SIZE	Settings	400 - <b>1200</b> - 99975			
	Specify the outline font size in the PCL language.				
SYMBOL SET	Specify the symbol set used with the PCL language.  The default setting is PC8.				

STARTUP OPTIONS	START PAGE	Settings	YES/NO	
		<p>Select whether or not a startup page is printed when the printer is turned on.</p> <p>If YES is selected, the startup page is printed when the printer is turned on.</p> <p>If NO is selected, the startup page is not printed.</p>		
DATE & TIME	Settings	yyymmdd : hhmmss		
	<p>Set the date and time on the time-of-day (TOD) clock.</p> <p>The settings appear in the following order: year, month, day:hour, minutes, seconds.</p>			
ENERGY SAVER	Settings	15 MINUTES/30 <b>MINUTES</b> /1 HOUR/ 2 HOURS		
	<p>Specify the length of time until the machine enters Energy Saver mode.</p> <p> 2 HOURS is displayed only on 120 V units.</p>			
SECU- RITY	CONFIG	ENABLE	Settings	ON/OFF
		<p>Select whether or not the menus are protected with a password.</p> <p>If ON is selected, all menus are protected with a password.</p>		
	SET USER PASSWD	<p>Settings: 1</p> <p>Specify the user password for displaying the user menus. The specified password is applied only if MAIN MENU/SYS-TEM DEFAULT/SECURITY/CONFIG/ENABLE is set to ON.</p> <p>The password can contain a maximum of 16 characters.</p> <p> Empty passwords are not allowed.</p>		



		SET ADMIN PASSWD	Settings: the last four digits of the printer serial number  Specify the administrator password for displaying the administrator menus. The specified password is applied only if MAIN MENU/SYSTEM DEFAULT/SECURITY/CONFIG/ENABLE is set to ON.  The password can contain a maximum of 16 characters.   Empty passwords are not allowed.
FORMAT	ERASE FLASH	Settings	YES/NO
		Select whether or not to initialize the flash RAM.  If YES is selected, the flash RAM is initialized.	
RESTORE /SAVE	RESTORE FACTORY	Settings	YES/NO
		Select whether or not all menu items are reset to their initial settings.  If YES is selected, all menu items are reset to their initial settings.	
	SAVE CUSTOM	Settings	YES/NO
		Select whether or not all changed menu settings are saved.  If YES is selected, all changes are saved.	
	RESTORE CUSTOM	Settings	YES/NO
		Select whether or not menu items are reverted to the previously saved settings.  If YES is selected, the menu items revert to the previously saved settings.	

## SERVICE MENU

With this menu, the service representative can adjust the printer and perform maintenance operations. This menu cannot be used by the user.

## LANGUAGE MENU

ENGLISH/FRENCH/ GERMAN/SPANISH/ ITALIAN/PORTU- GUESE/DUTCH/CZECH/ JAPANESE/POLISH	The display language of the message window can be changed to the required language.  The default setting is English.  The language selections appear in the message window in the corresponding language. For example, GERMAN appears as DEUTSCH.
---	---



# *Media Handling* **5**

# Print Media

## Specifications

Media	Media Size		Tray*	Duplex
	Inch	Millimeter		
Letter	8.5 x 11.0	215.9 x 279.4	1/2	Yes
Legal	8.5 x 14.0	215.9 x 355.6	1	No
Statement	5.5 x 8.5	140.0 x 216.0	1	No
Executive	7.25 x 10.5	184.0 x 267.0	1	No
A4	8.2 x 11.7	210.0 x 297.0	1/2	Yes
A5	5.9 x 8.3	148.0 x 210.0	1	No
B5 (JIS)	7.2 x 10.1	182.0 x 257.0	1	No
B5 (ISO)	6.9 x 9.8	176.0 x 250.0	1	No
Folio	8.3 x 13.0	210.0 x 330.0	1	No
SP Folio	8.5 x 12.69	215.9 x 322.3	1	No
Foolscap	8.0 x 13.0	203.2 x 330.2	1	No
UK Quarto	8.0 x 10.0	203.2 x 254.0	1	No
Government Letter	8.0 x 10.5	203.2 x 266.7	1	No
Government Legal	8.5 x 13.0	216.0 x 330.0	1	No
Envelope DL	4.3 x 8.7	110.0 x 220.0	1	No
Envelope C6	4.5 x 6.4	114.0 x 162.0	1	No
Japanese Postcard	3.9 x 5.8	100.0 x 148.0	1	No
16K	7.7 x 10.6	195.0 x 270.0	1	No
Kai 16	7.3 x 10.2	185.0 x 260.0	1	No
Kai 32	5.1 x 7.3	130.0 x 185.0	1	No
Oficio Mexico	8.5 x 13.5	215.9 x 342.9	1	No
Custom Size, Minimum**	3.6 x 7.7	92.0 x 195.0	1	No
Custom Size, Maximum**	8.5 x 14.0	216.0 x 356.0	1	No

**Notes:** \* Tray 1 = Multipurpose  
 Tray 2 = Plain paper only  
 \*\* With thick stock  
 The minimum size is 3.6 x 7.25 inch (92.0 x 184.0 mm).  
 The maximum size is 8.5 x 11.7 inch (216.0 x 297.0 mm).



*For custom sizes, use the printer driver to specify the settings within the ranges shown in the above table.*

# Media Types

Before purchasing a large quantity of special media, do a trial print with the same media and check the print quality.

Keep media on a flat, level surface in its original wrapper until it is time to load it. For a list of approved media, refer to [printer.konicaminolta.com](http://printer.konicaminolta.com).

## Plain Paper

<b>Capacity</b>	<b>Tray 1</b>	Up to 200 sheets, depending on the paper weight
	<b>Tray 2</b>	Up to 500 sheets, depending on the paper weight
<b>Orientation</b>	Face up	
<b>Driver Media Type</b>	Plain paper	
<b>Weight</b>	60 to 90 g/m <sup>2</sup> (16 to 24 lb bond)	
<b>Duplexing</b>	Only Letter/A4 plain paper can be autoduplexed.	

### Use plain paper that is

- Suitable for plain paper laser printers, such as standard or recycled office paper.

### Note

---

**Do not use the media types listed below. These could cause poor print quality, media misfeeds, or damage to the printer.**

---

### DO NOT use media that is

- Coated with a processed surface (such as carbon paper, digitally gloss-coated media, and colored paper that has been treated)
- Carbon backed
- Unapproved iron-on transfer media (such as heat-sensitive paper, heat-pressure paper, and heat-press transfer paper)
- Cold-water-transfer paper
- Pressure sensitive
- Designed specifically for inkjet printers (such as superfine paper, glossy film, and postcards)
- Already been printed on by another printer, copier, or fax machine
- Dusty
- Wet (or damp)



Keep media between 15% and 85% relative humidity. Toner does not adhere well to moist or wet paper.

- Layered
- Adhesive
- Folded, creased, curled, embossed, warped, or wrinkled
- Perforated, three-hole punched, or torn
- Too slick, too coarse, or too textured
- Different in texture (roughness) on the front and back
- Too thin or too thick
- Stuck together with static electricity
- Composed of foil or gilt; too luminous
- Heat sensitive or cannot withstand the fusing temperature (180°C [356°F])
- Irregularly shaped (not rectangular or not cut at right angles)
- Attached with glue, tape, paper clips, staples, ribbons, hooks, or buttons
- Acidic
- Any other media that is not approved

## Thick Stock

Paper thicker than 90 g/m<sup>2</sup> (24 lb bond) is referred to as thick stock. Test all thick stock to ensure acceptable performance and to ensure that the image does not shift.

<b>Capacity</b>	<b>Tray 1</b>	Up to 50 thick stock sheets, depending on their thickness
	<b>Tray 2</b>	Not supported
<b>Orientation</b>	Face up	
<b>Driver Media Type</b>	Thick 1 (91 to 163 g/m <sup>2</sup> )	
	Thick 2 (164 to 209 g/m <sup>2</sup> )	
<b>Weight</b>	91 to 209 g/m <sup>2</sup> (25 to 55.9 lb)	
<b>Duplexing</b>	Not supported	

### **DO NOT use thick stock that is**

- Mixed with any other media in Tray 1 (as this will cause printer misfeeding)

## **Envelopes**

Print on the front (address) side only. Some parts of the envelope consist of three layers of paper—the front, back, and flap. Anything printed in these layered regions may be lost or faded.

<b>Capacity</b>	<b>Tray 1</b>	Up to 10 envelopes, depending on their thickness
	<b>Tray 2</b>	Not supported
<b>Orientation</b>	Face up	
<b>Driver Media Type</b>	Envelope	
<b>Duplexing</b>	Not supported	

### **Use envelopes that are**

- Envelope C6 or Envelope DL  
(Other envelope sizes are not supported.)
- Common office envelopes approved for laser printing with diagonal joints, sharp folds and edges, and ordinary gummed flaps



*Because the envelopes pass through heated rollers, the gummed area on the flaps may seal. Using envelopes with emulsion-based glue avoids this problem.*

- Approved for laser printing
- Dry

### **DO NOT use envelopes that have**

- Sticky flaps
- Tape seals, metal clasps, paper clips, fasteners, or peel-off strips for sealing
- Transparent windows
- Too rough of a surface
- Material that will melt, vaporize, offset, discolor, or emit dangerous fumes
- Been presealed



## Labels

A sheet of labels consists of a face sheet (the printing surface), adhesive, and a carrier sheet:

- The face sheet must follow the plain paper specification.
- The face sheet surface must cover the entire carrier sheet, and no adhesive should come through on the surface.

You can print continuously with label sheets. However, this could affect the media feed, depending on the media quality and printing environment. If problems occur, stop the continuous printing and print one sheet at a time.

Try printing your data on a sheet of plain paper first to check placement.

Check your application documentation for more information on printing labels.

<b>Capacity</b>	<b>Tray 1</b>	Up to 50 label sheets, depending on their thickness
	<b>Tray 2</b>	Not supported
<b>Orientation</b>	Face up	
<b>Driver Media Type</b>	Labels	
<b>Duplexing</b>	Not supported	

### Use label sheets that are

- Recommended for laser printers

### DO NOT use label sheets that

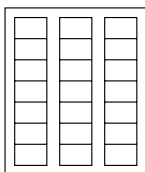
- Have labels that easily peel off or have parts of the label already removed
- Have backing sheets that have peeled away or have exposed adhesive



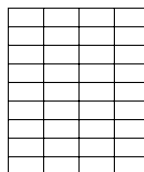
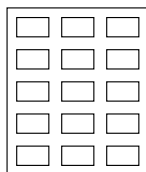
*Labels may stick to the fuser, causing them to peel off and media misfeeds to occur.*

- Are pre-cut or perforated

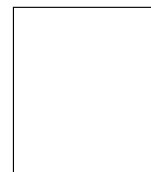
Do not use



Shiny backed paper



OK to use



Full-page labels (uncut)

## Letterhead

Try printing your data on a sheet of plain paper first to check placement.

<b>Capacity</b>	<b>Tray 1</b>	Up to 50 sheets, depending on their size and thickness
	<b>Tray 2</b>	Not supported
<b>Orientation</b>	Face up	
<b>Driver Media Type</b>	Letterhead	
<b>Duplexing</b>	Not supported	

## Postcards

Try printing your data on a sheet of plain paper first to check placement.

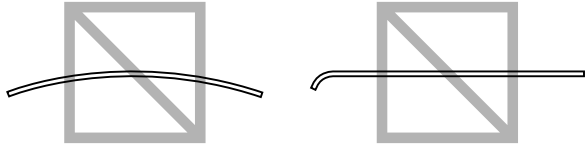
<b>Capacity</b>	<b>Tray 1</b>	Up to 50 postcards, depending on their thickness
	<b>Tray 2</b>	Not supported
<b>Orientation</b>	Face up	
<b>Driver Media Type</b>	Postcard	
<b>Duplexing</b>	Not supported	

## Use postcards that are

- Approved for laser printers

## DO NOT use postcards that are

- Coated
- Designed for inkjet printers
- Precut or perforated
- Preprinted or multicolored
- Folded or wrinkled



*If the postcard is warped, press on the warped area before putting it in Tray 1.*

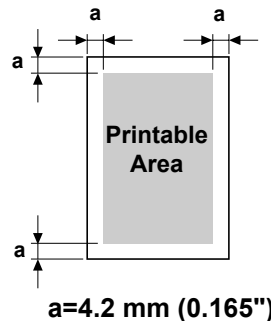


## Printable Area

The printable area on all media sizes is up to 4.2 mm (0.165") from the edges of the media.

Each media size has a specific printable area (the maximum area on which the machine can print clearly and without distortion).

This area is subject to both hardware limits (the physical media size and the margins required by the machine) and software constraints (the amount of memory available for the full-page frame buffer). The printable area for all media sizes is the page size minus 4.2 mm (0.165") from all edges of the media.

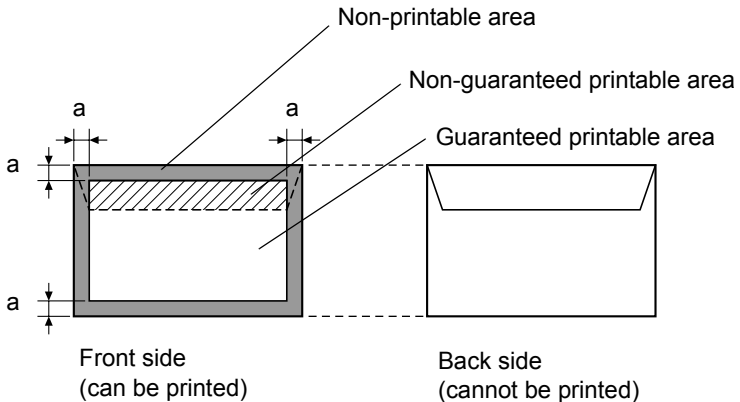


*When printing in color on legal-size media, the following limitations apply.*

- *The printable area is 339.6 (13.4") mm from the leading edge of the paper. (However, there is a non-printable area up to 4.2 mm (0.165") from the leading edge.)*
- *The bottom margin is 16.0 mm (0.63").*

## Envelopes

Envelopes can only be printed on their front sides (side where the recipient's address is written). In addition, printing on the front side in the area overlapping the back flap cannot be guaranteed. The location of this area differs depending on the envelope type.



**a=4.2 mm (0.165")**



*The envelope print orientation is determined by your application.*



*With the Envelope DL size (long edge feeding), the nonprintable areas on the left and right sides are 6 mm.*

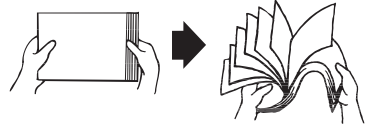
## Page Margins

Margins are set through your application. Some applications allow you to set custom page sizes and margins while others have only standard page sizes and margins from which to choose. If you choose a standard format, you may lose part of your image (due to printable area constraints). If you can custom-size your page in your application, use those sizes given for the printable area for optimum results.

# Loading Media

## How do I load media?

Take off the top and bottom sheets of a ream of paper. Holding a stack of approximately 200 sheets at a time, fan the stack to prevent static buildup before inserting it in a tray.



---

### Note

---

**Although this printer was designed for printing on a wide range of media types, it is not intended to print exclusively on a single media type except plain paper. Continuous printing on media other than plain paper (such as envelopes, labels, or thick stock) may adversely affect print quality or reduce engine life.**

---

When refilling media, first remove any media remaining in the tray. Stack it with the new media, even the edges, then reload it.

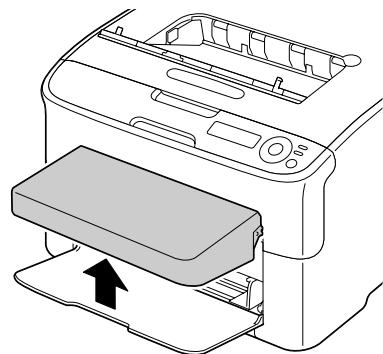
Do not mix media of different types and sizes, as this will cause media mis-feeds.

## Tray 1 (Multipurpose Tray)

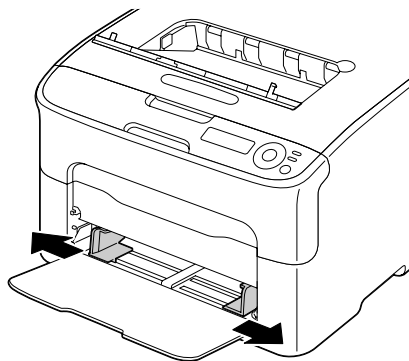
For details on the types and sizes of media that can be printed from Tray 1, refer to "Print Media" on page 5-2.

### Loading Plain Paper

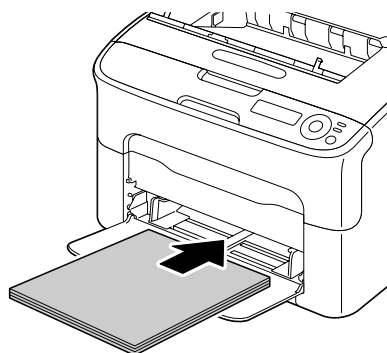
- 1 Remove the dust cover from Tray 1.



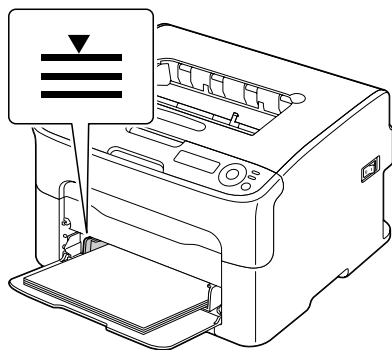
- 2** Slide the media guides to provide more space between them.



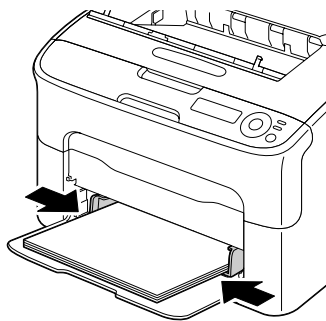
- 3** Load the paper face up in the tray.



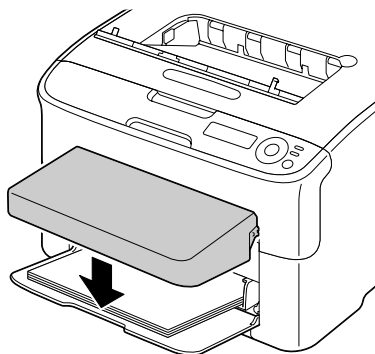
*Do not load paper above the ▼ mark. Up to 200 sheets (80 g/m<sup>2</sup> [21 lb]) of plain paper can be loaded into the tray at one time.*



- 4 Slide the media guides against the edges of the paper.



- 5 Reattach the dust cover.



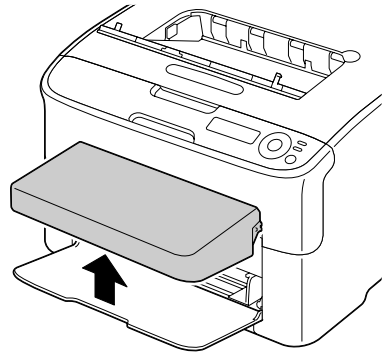
- 6 Select MAIN MENU/PAPER MENU/INPUT TRAY/TRAY1/MEDIA SIZE and MEDIA TYPE in the configuration menu, and then select the settings for the size and type of paper that are loaded. See also "PAPER MENU" on page 4-8.

## Other Media

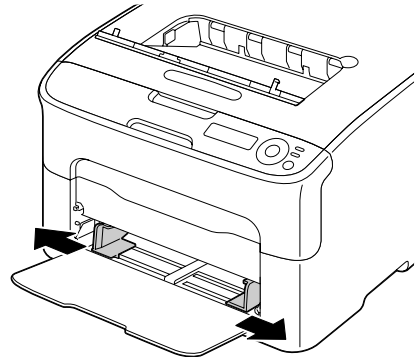
When loading media other than plain paper, set the media mode (for example, Envelope, Label, or Thick Stock) in the driver for optimum print quality.

### Loading Envelopes

- 1 Remove the dust cover from Tray 1.



- 2 Remove any media from the tray.
- 3 Slide the media guides to provide more space between them.

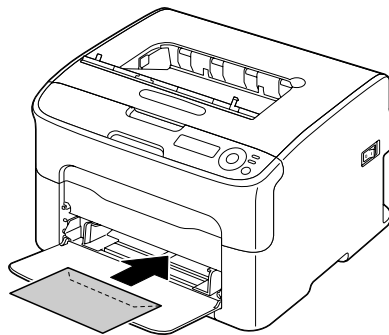




- 4** Load the envelopes flap side down in the tray.



*Before loading envelopes, press them down to make sure that all air is removed, and make sure that the folds of the flaps are firmly pressed; otherwise the envelopes may become wrinkled or a media misfeed may occur.*

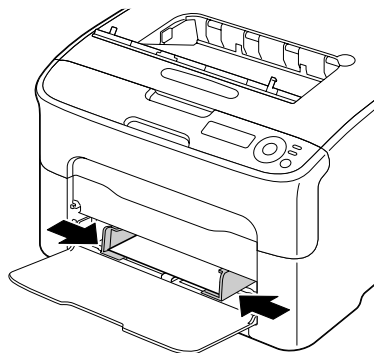


*Up to 10 envelopes can be loaded into the tray at one time.*

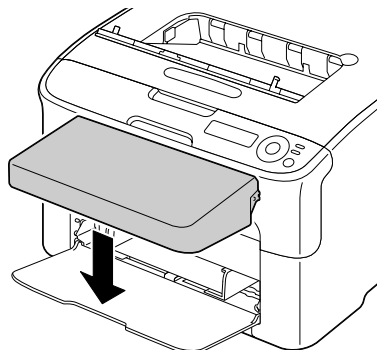


*For envelopes with the flap (Envelope C6 or Envelope DL), load the envelopes with the flap side inserted first.*

- 5** Slide the media guides against the edges of the envelopes.



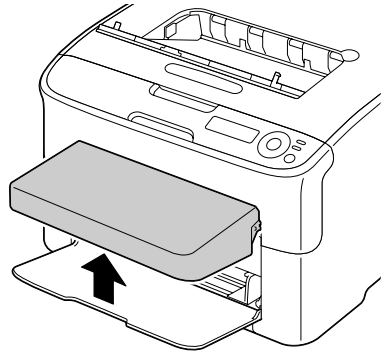
- 6** Reattach the dust cover.



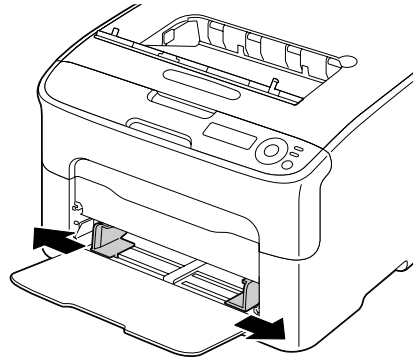
- 7 Select MAIN MENU/PAPER MENU/INPUT TRAY/TRAY1/MEDIA SIZE and MEDIA TYPE in the configuration menu, and then select the settings for the size and type of paper that are loaded. See also "PAPER MENU" on page 4-8.

## Loading Labels/Postcard/Thick Stock and Letterhead

- 1 Remove the dust cover from Tray 1.



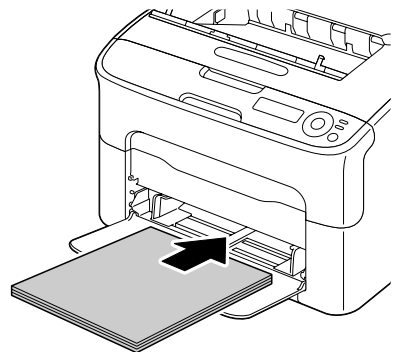
- 2 Remove any media from the tray.
- 3 Slide the media guides to provide more space between them.



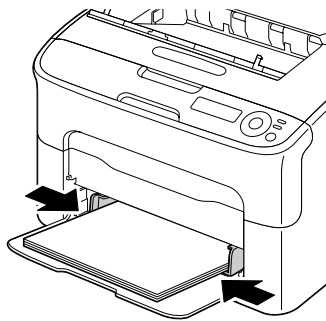
- 4 Load the media face up in the tray.



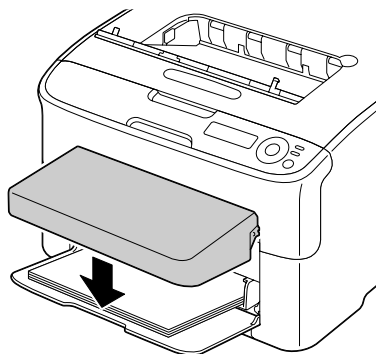
*Up to 50 sheets can be loaded into the tray at one time.*



- 5 Slide the media guides against the edges of the media.



- 6 Reattach the dust cover.



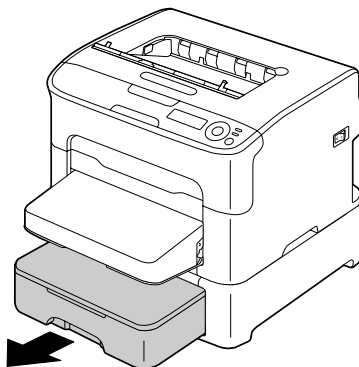
- 7 Select MAIN MENU/PAPER MENU/INPUT TRAY/TRAY1/MEDIA SIZE and MEDIA TYPE in the configuration menu, and then select the settings for the size and type of paper that are loaded. See also "PAPER MENU" on page 4-8.

## Tray 2

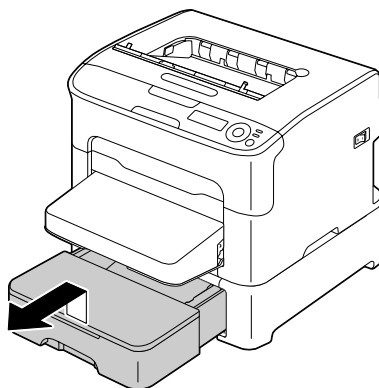
Only Letter/A4 plain paper can be loaded in Tray 2.

### Loading Plain Paper

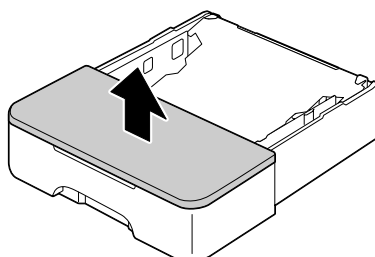
- 1 Pull out Tray 2 as far as possible.



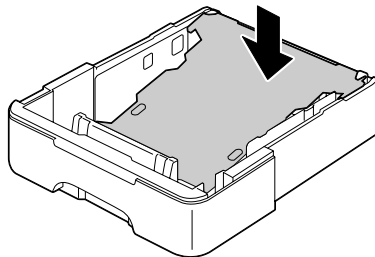
- 2 Lift up Tray 2 to remove it.



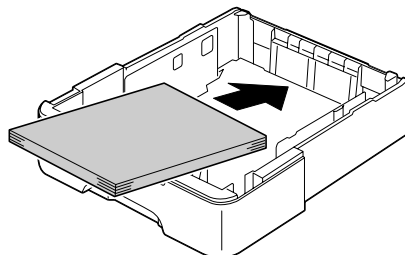
- 3 Remove the lid from Tray 2.



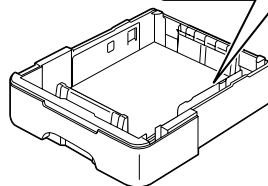
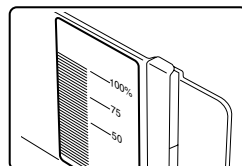
- 4** Press down the media pressure plate to lock it into place.



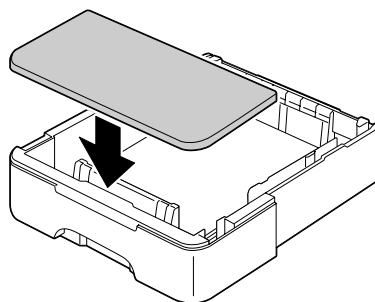
- 5** Load the paper face up in the tray.



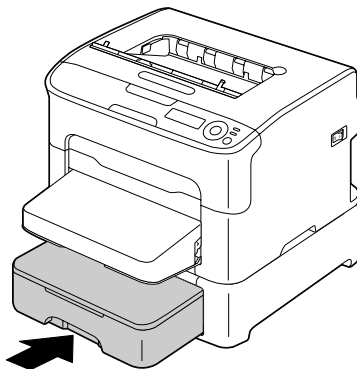
*Do not load above the 100% line. Up to 500 sheets (80 g/m<sup>2</sup> [21 lb]) of plain paper can be loaded into the tray at one time.*



- 6** Reattach the lid to Tray 2.



7 Reinsert Tray 2 into the printer.



# Duplexing

Select paper with high opacity for duplex (double sided) printing. Opacity refers to how effectively paper blocks out what is written on the opposite side of the page. If the paper has low opacity (high translucency), then the printed data from one side of the page will show through to the other side. Check your application for margin information. For best results, print a small quantity to make sure the opacity is acceptable.

Duplex (Double sided) printing can be done automatically with the duplex option installed and selected.

## Note

---

**Only Letter/A4 plain paper, 60–90 g/m<sup>2</sup> (16–24 lb bond) can be autoduplexed. See “Print Media” on page 5-2.**

**Duplexing envelopes, labels, postcards, thick stock, or letterhead is not supported.**

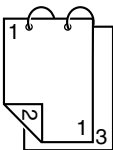
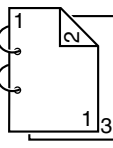
---

## How do I autoduplex?

You should verify that the duplex option is physically installed on the printer to successfully duplex the job.

Check your application to determine how to set your margins for duplex printing.

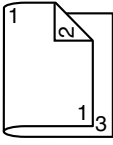
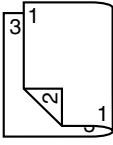
The following Binding Position settings are available.

 A diagram showing a sheet of paper with two punch holes at the top edge. The top edge is labeled '1' and the right edge is labeled '3'. A small '2' is written near the bottom-left corner, indicating the binding position.	If “Short Edge” is selected, the pages will be laid out to flip at the top.
 A diagram showing a sheet of paper with two punch holes at the left edge. The top edge is labeled '1' and the right edge is labeled '3'. A small '2' is written near the top-right corner, indicating the binding position.	If “Long Edge” is selected, the pages will be laid out to flip at the sides.



In addition, if “N-up” has been set to “Booklet”, autoduplex printing is performed.

The following Order settings are available when “Booklet” is selected.

	If “Left Binding” is selected, the pages can be folded as a left-bound booklet.
	If “Right Binding” is selected, the pages can be folded as a right-bound booklet.

- 1 Load plain paper into the tray.
- 2 From the printer driver, specify the layout for duplex printing.
- 3 Click **OK**.



*With autoduplexing, the back side is printed first, and then the front side is printed.*

## Output Tray

All printed media is output to the face-down output tray on top of the printer. This tray has a capacity of approximately 100 sheets (A4/Letter) of 80 g/m<sup>2</sup> (21 lb) paper.



*If the media is stacked too high in the output tray, your printer may experience media misfeeds, excessive media curl, or static buildup.*

# Media Storage

## How do I store media?

- Keep media on a flat, level surface in its original wrapper until it is time to load it.

*Media that has been stored for a long time out of its packaging may dry up too much and cause misfeeding.*

- If media has been removed from its wrapper, place it in its original packaging and store in a cool, dark place on a level surface.
- Avoid moisture, excessive humidity, direct sunlight, excessive heat (above 35°C [95°F]), and dust.
- Avoid media leaning against other objects or placing it in an upright position.

Before using stored media, do a trial print and check print quality.



# ***Replacing Consumables***

# **6**

# Replacing Consumables

## Note

---

**Failure to follow instructions as outlined in this manual could result in voiding your warranty.**

---

## About Toner Cartridges

Your printer uses four toner cartridges: black, yellow, magenta, and cyan. Handle the toner cartridges carefully to avoid spilling toner inside the printer or on yourself.



*Install only new toner cartridges in your printer. If a used toner cartridge is installed, then toner remaining amount may not be accurate.*



*The toner is nontoxic. If you get toner on your skin, wash it off with cool water and a mild soap. If you get toner on your clothes, lightly dust them off as best as you can. If some toner remains on your clothes, use cool, not hot water, to rinse the toner off.*



## CAUTION

**If you get toner in your eyes, wash it out immediately with cool water and consult a doctor.**

---



*Refer to the following URL for recycling information.*

*US: [printer.konicaminolta.com/products/recycle/index.asp](http://printer.konicaminolta.com/products/recycle/index.asp)*

*Europe: [www.konicaminolta.eu/printing-solutions/more-information/clean-planet.html](http://www.konicaminolta.eu/printing-solutions/more-information/clean-planet.html)*

*Other regions: [printer.konicaminolta.com](http://printer.konicaminolta.com)*

## Note

---

**Do not use refilled toner cartridges or unapproved toner cartridges. Any damage to the printer or quality problems caused by a refilled toner cartridge or unapproved toner cartridge will void your warranty. No technical support is provided to recover from these problems.**

---

When replacing a toner cartridge, refer to the following table. For optimum print quality and performance, use only approved KONICA MINOLTA toner cartridges for your specific printer type, as listed in the table below. You can find your machine type and the toner cartridge part numbers on the consumables reorder label inside the top cover your machine.

Printer Type	Printer Part Number	Toner Cartridge Type	Toner Cartridge Part Number
AM	A034 012	Standard-Capacity Toner Cartridge -Yellow (Y)	A0V3 05F
		Standard-Capacity Toner Cartridge -Magenta (M)	A0V3 0AF
		Standard-Capacity Toner Cartridge -Cyan (C)	A0V3 0GF
		High-Capacity Toner Cartridge - Black (K)	A0V3 01F
		High-Capacity Toner Cartridge - Yellow (Y)	A0V3 06F
		High-Capacity Toner Cartridge - Magenta (M)	A0V3 0CF
		High-Capacity Toner Cartridge - Cyan (C)	A0V3 0HF
EU	A034 022	Standard-Capacity Toner Cartridge -Yellow (Y)	A0V3 05H
		Standard-Capacity Toner Cartridge -Magenta (M)	A0V3 0AH
		Standard-Capacity Toner Cartridge -Cyan (C)	A0V3 0GH
		High-Capacity Toner Cartridge - Black (K)	A0V3 01H
		High-Capacity Toner Cartridge - Yellow (Y)	A0V3 06H
		High-Capacity Toner Cartridge - Magenta (M)	A0V3 0CH
		High-Capacity Toner Cartridge - Cyan (C)	A0V3 0HH
AP	A034 042	Standard-Capacity Toner Cartridge -Yellow (Y)	A0V3 05K
		Standard-Capacity Toner Cartridge -Magenta (M)	A0V3 0AK
		Standard-Capacity Toner Cartridge -Cyan (C)	A0V3 0GK
		High-Capacity Toner Cartridge - Black (K)	A0V3 01K
		High-Capacity Toner Cartridge - Yellow (Y)	A0V3 06K
		High-Capacity Toner Cartridge - Magenta (M)	A0V3 0CK
		High-Capacity Toner Cartridge - Cyan (C)	A0V3 0HK
GC	A034 082	Standard-Capacity Toner Cartridge -Yellow (Y)	A0V3 05N
		Standard-Capacity Toner Cartridge -Magenta (M)	A0V3 0AN
		Standard-Capacity Toner Cartridge -Cyan (C)	A0V3 0GN
		High-Capacity Toner Cartridge - Black (K)	A0V3 01N
		High-Capacity Toner Cartridge - Yellow (Y)	A0V3 06N
		High-Capacity Toner Cartridge - Magenta (M)	A0V3 0CN
		High-Capacity Toner Cartridge - Cyan (C)	A0V3 0HN



*For optimum print quality and performance, use only the corresponding TYPE genuine KONICA MINOLTA toner cartridges.*

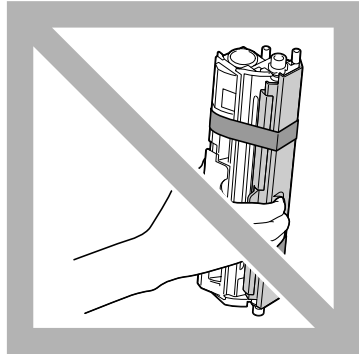
Keep toner cartridges:

- In their packaging until you're ready to install them.
- In a cool, dry location away from sunlight (due to heat).

*The maximum storage temperature is 35° C (95° F) and the maximum storage humidity is 85% (noncondensing). If the toner cartridge is moved from a cold place to a warm, humid place, condensation may occur, degrading print quality. Allow the toner to adapt to the environment for about one hour before use.*

- Level during handling and storage.

*Do not hold, stand or store cartridges on their ends or turn them upside down; the toner inside the cartridges may become caked or unequally distributed.*



- Away from salty air and corrosive gases such as aerosols.

## Replacing a Toner Cartridge

### Note

**Be careful not to spill toner while replacing a toner cartridge. If toner spills, immediately wipe it off with a soft, dry cloth.**

If TONER OUT ACTION on the MAIN MENU/QUALITY MENU/TONER OUT ACTION menu is set to STOP, the message X TONER OUT/REPLACE XXXX (where "X" and "XXXX" represent the color of the toner) appears when a toner cartridge becomes empty. Follow the steps below to replace the toner cartridge.



*If TONER OUT ACTION on the MAIN MENU/QUALITY MENU/TONER OUT ACTION menu is set to CONTINUE, the printing can continue even after the message "X TONER OUT" has appeared; however, the printing quality cannot be guaranteed. If printing is continued and the toner becomes empty, the message "X TONER LIFE END" appears and printing stops. For details on the setting, refer to "QUALITY MENU" on page 4-13.*

- 1 Check the message window to see which color toner cartridge needs replacing.



*If the machine detects that a toner cartridge is empty (X TONER OUT or X TONER LIFE END appears), the empty toner cartridge is automatically moved so that it can be replaced.*


If you wish to change the toner cartridge, use either operation described below to switch the printer to REPLACE TONER.

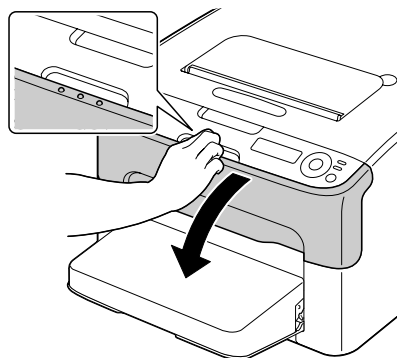
Press Key	Until Display Reads
	X TONER OUT REPLACE XXXX or X TONER LIFE END
* Menu Select ←↵	MENU MAIN MANU
* Menu Select ←↵	MAIN MENU PRINT MENU



Press Key	Until Display Reads
▶ × 2	MAIN MENU QUALITY MENU
* Menu Select ↵	QUALITY MENU REPLACE TONER
* Menu Select ↵	REPLACE TONER BLACK
▶ Press until appropriate color (X) is displayed.	REPLACE TONER X
* Menu Select ↵	X *YES
* Menu Select ↵	*YES IS SELECTED
	Then, it displays OPEN DOOR AND REPLACE X TONER

## 2 Open the front cover.


 Before opening the front cover, open Tray 1 if it is not already open.

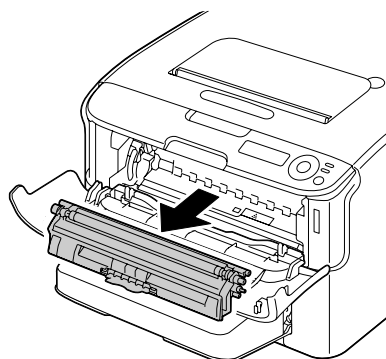
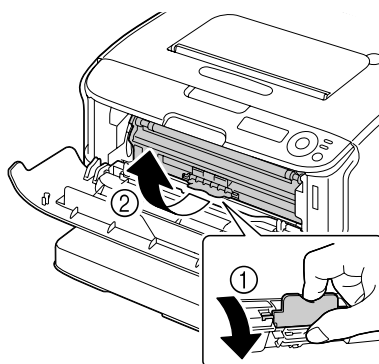


## 3 Check that the toner cartridge to be replaced has been moved to the front.

 You can identify the toner cartridge by the color of the handle.

## 4 Pull down the handle on the toner cartridge until the toner cartridge is unlocked and moves out slightly toward you. Remove the toner cartridge.

 Do not manually rotate the toner cartridge carousel. In addition, do not rotate the carousel with force, otherwise it may be damaged.

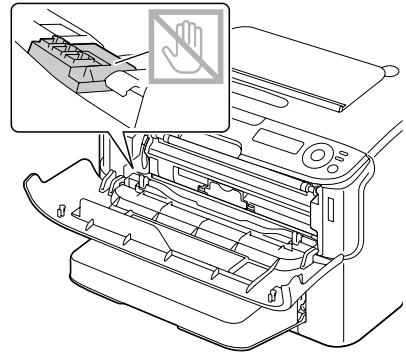


---

## Note

---

Do not touch the contact indicated in the illustration.



---

## Note

---

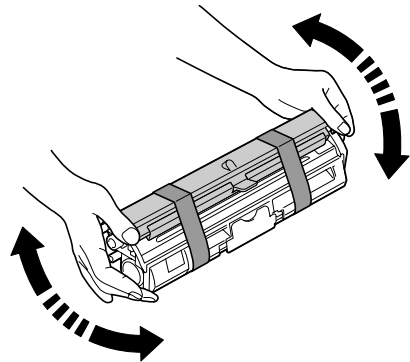
Dispose of the empty toner cartridge according to your local regulations. Do not burn the toner cartridge. For details, refer to “About Toner Cartridges” on page 6-2.

---

- 5 Prepare a new toner cartridge.
- 6 Shake the cartridge a few times to distribute the toner.



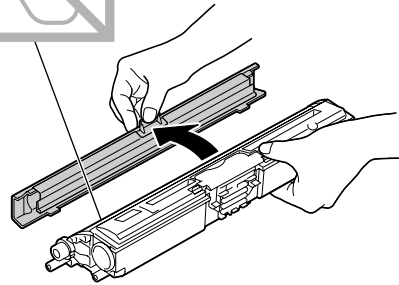
*Make sure that the toner roller cover is securely attached before shaking the toner cartridge.*



- 7** Remove the cover from the toner roller.



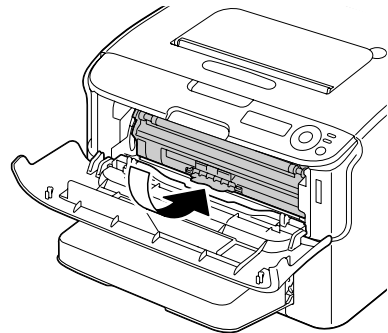
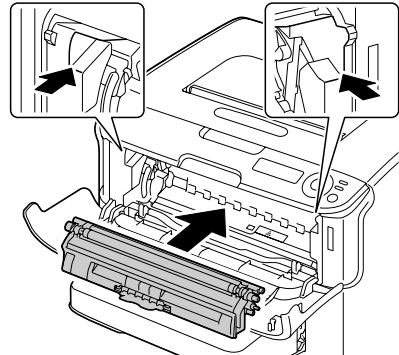
*Do not touch or scratch the toner roller.*



- 8** Align the shaft on each end of the toner cartridge with its holders, and then insert the cartridge.

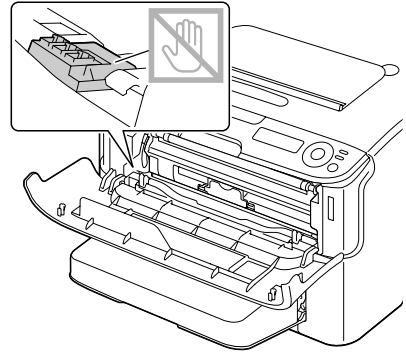


*Before inserting the toner cartridge, make sure that the color of the toner cartridge to be installed is the same as the label on the toner cartridge carousel.*

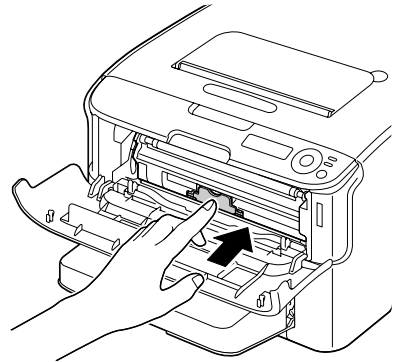


## Note

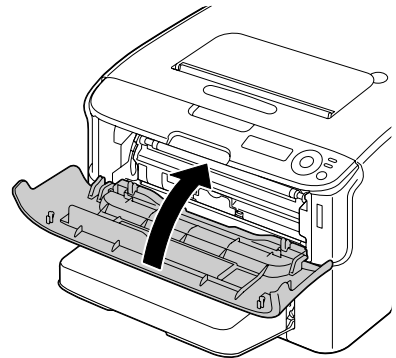
Do not touch the contact indicated in the illustration.



- 9 Press in the toner cartridge until it locks into place.



- 10 Close the front cover.





*The printer must complete a calibration cycle after the toner cartridge has been replaced. If you open the top or front cover before the message `IDLE` appears, the printer stops and repeats the calibration cycle.*

## Removing All Toner Cartridges

### Note

**Be careful not to spill toner while removing a toner cartridge. If toner spills, immediately wipe it off with a soft, dry cloth.**

By using the REMOVE ALL mode, all toner cartridges can be removed.

Follow the procedure described below to use the REMOVE ALL mode.

- 1 Perform the operation described below to switch the printer to the REMOVE ALL mode.

Press Key	Until Display Reads
	IDLE
* Menu Select ↵	MANU MAIN MANU
* Menu Select ↵	MAIN MENU PRINT MENU
▶ × 2	MAIN MENU QUALITY MENU
* Menu Select ↵	QUALITY MENU REPLACE TONER
* Menu Select ↵	REPLACE TONER BLACK
◀	REPLACE TONER REMOVE ALL

Press Key	Until Display Reads
<p style="text-align: center;">* Menu Select ↵</p>	<p>REMOVE ALL *NO</p>
<p style="text-align: center;">▶</p>	<p>REMOVE ALL YES</p>
<p style="text-align: center;">* Menu Select ↵</p>	<p>*YES IS SELECTED</p>
	<p>Then, it displays OPEN DOOR AND REMOVE M TONER</p>

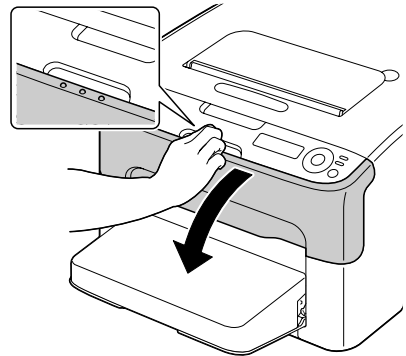


*It is not possible to exit REMOVE ALL mode before the operation is finished (even if the Cancel key is pressed).  
If the printer has incorrectly been switched to REMOVE ALL mode, open, then close the front cover four times to exit REMOVE ALL mode.*

## 2 Open the front cover.



*Before opening the front cover, open Tray 1 if it is not already open.*

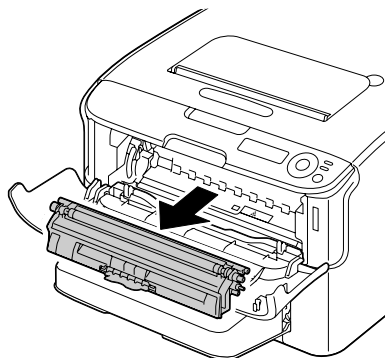
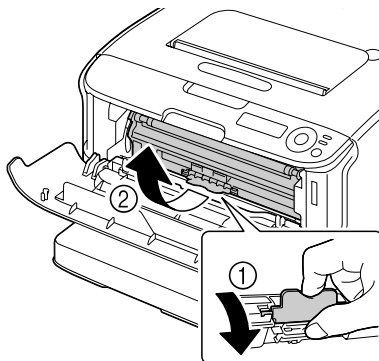




- 3** Pull down the handle on the toner cartridge until the toner cartridge is unlocked and moves out slightly toward you. Remove the toner cartridge.

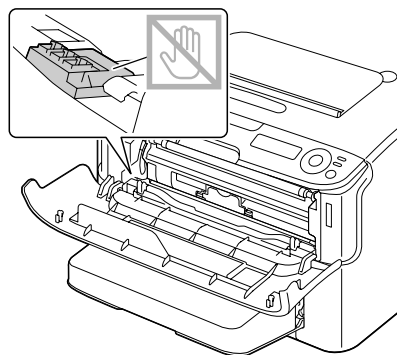


*Do not manually rotate the toner cartridge carousel. In addition, do not rotate the carousel with force, otherwise it may be damaged.*



## **Note**

**Do not touch the contact indicated in the illustration.**



- 4 Close the front cover.
- 5 Follow the same procedure to remove the cartridges for the cyan, black, then yellow toners.

## Replacing the Imaging Cartridge

When replacing an imaging cartridge, refer to the following table. For optimum print quality and performance, use only approved KONICA MINOLTA imaging cartridge for your specific printer type, as listed in the table below. You can find your machine type and the imaging cartridge part numbers on the consumables reorder label inside the top cover your machine.

Printer Type	Printer Part Number	Part Name	Imaging Cartridge Part Number
AM	A034 012	Imaging Cartridge	A0VU 011
EU	A034 022		A0VU 0Y1
AP	A034 042		A0VU 0Y1
GC	A034 082		A0VU 0Y1

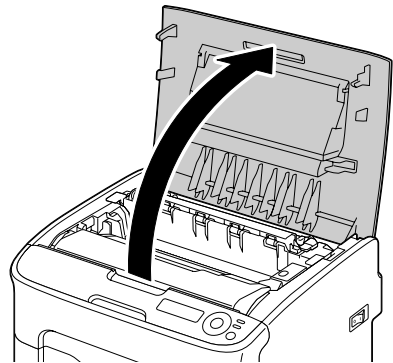


*For optimum print quality and performance, use only the corresponding TYPE genuine KONICA MINOLTA imaging cartridge.*

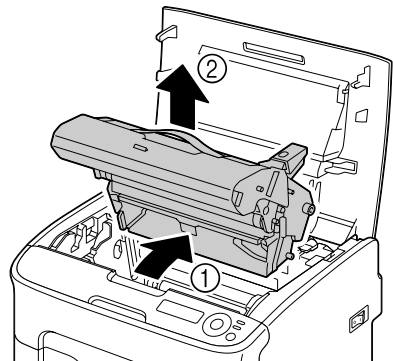
**1** Open the top cover.



*If there is paper in the output tray, remove it, and then fold up the output tray before opening the top cover.*



**2** Grab the handle and lift it up slightly to the back, and then slowly pull the imaging cartridge out vertically.



## Note

---

Dispose of the used imaging cartridge according to your local regulations. Do not burn the imaging cartridge.

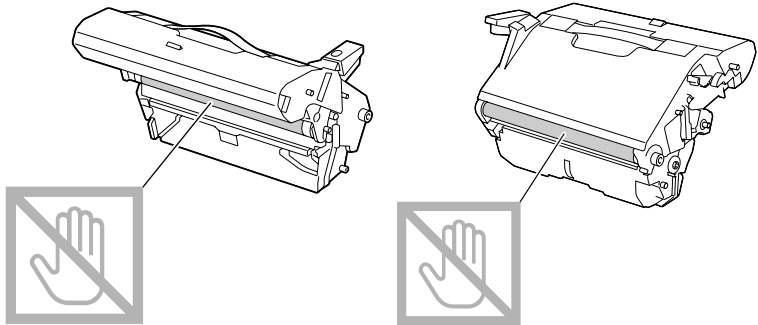
---

- 3 Prepare the new imaging cartridge.

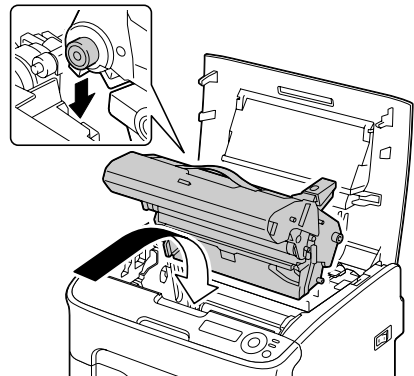
## Note

---

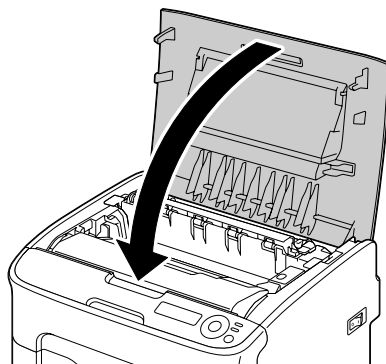
Do not touch the PC drum and the transfer belt on the imaging cartridge.



- 4 Slowly insert the new imaging cartridge vertically, and then push it slightly down toward you to finish installing the imaging cartridge.



**5** Carefully close the top cover.

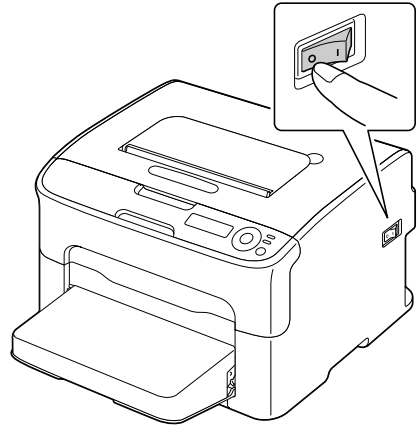


*The printer must complete a calibration cycle after the imaging cartridge has been replaced. If you open the top cover before the message `IDLE` appears, the printer stops and repeats the calibration cycle.*

## Replacing the Fuser Unit

For optimum print quality and performance, use only approved KONICA MINOLTA fuser unit for your specific printer type.

- 1 Turn off the printer and disconnect the power cord.



---

### Note

---

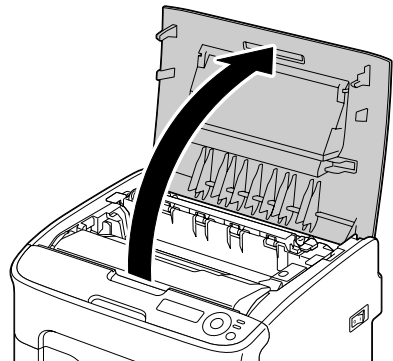
**There are extremely hot parts within the printer. Before replacing the fuser unit, wait about 20 minutes after turning off the printer, and then check that the fusing section has reached room temperature, otherwise, you may get burnt.**

---

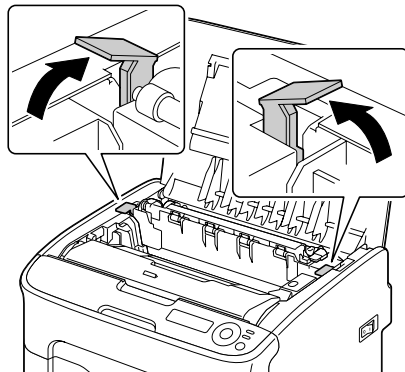
- 2 Open the top cover.



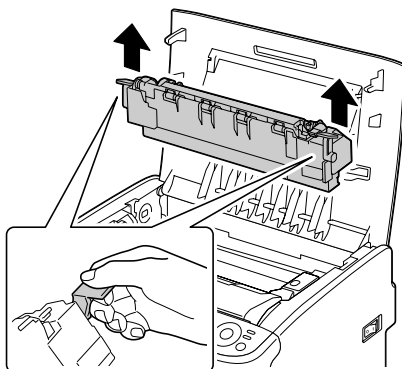
*If there is paper in the output tray, remove it, and then fold up the output tray before opening the top cover.*



- 3** Push the blue handles back as far as possible.



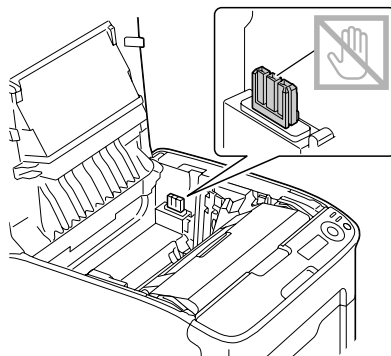
- 4** Grab the blue handles and lift the fuser unit to remove it.



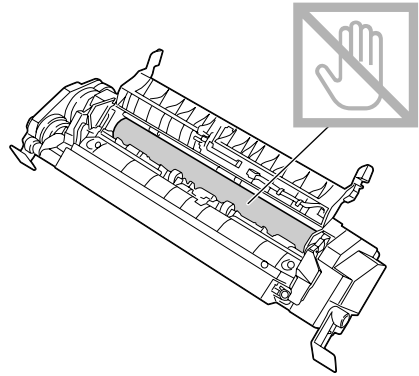
---

### **Note**

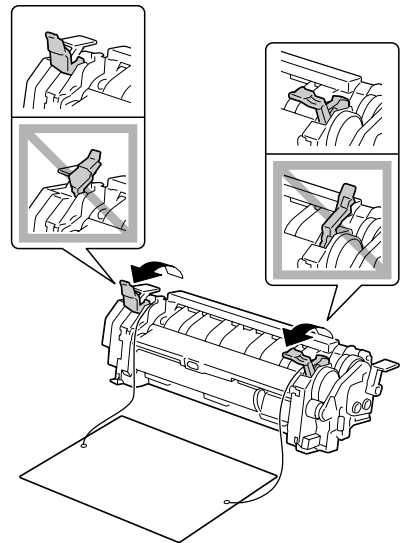
**Do not touch the matching connectors of the fuser unit and the machine.**



**5** Prepare a new fuser unit.

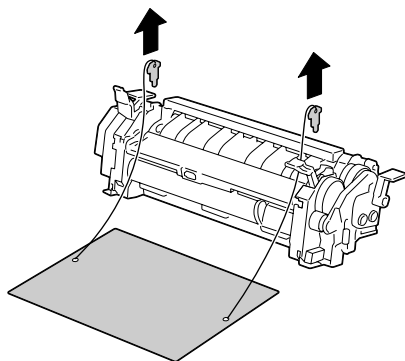


**6** Pull the fuser separator levers forward as far as possible.



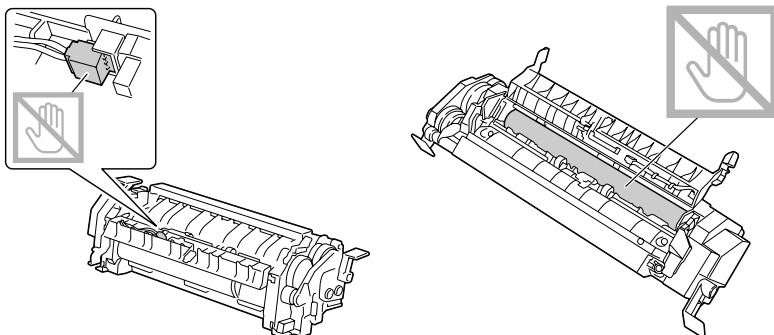


- 7 Remove the fuser separator material, and then return the fuser separator levers to their original positions.

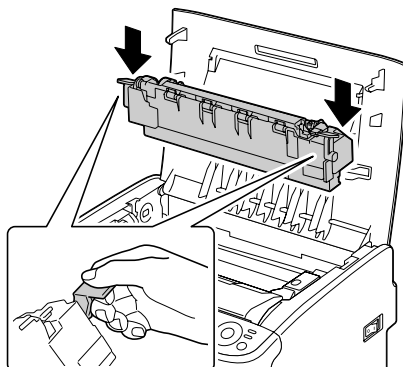


### Note

Be careful not to touch the paper exit sensor and the surface of the fuser roller in the fuser unit.



- 8 While lifting the fuser unit with the blue handles (one on each side), vertically insert the fuser unit.

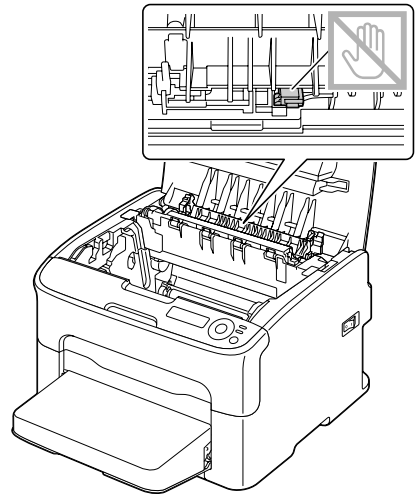


---

**Note**

---

Do not touch the paper exit sensor on the fuser unit.

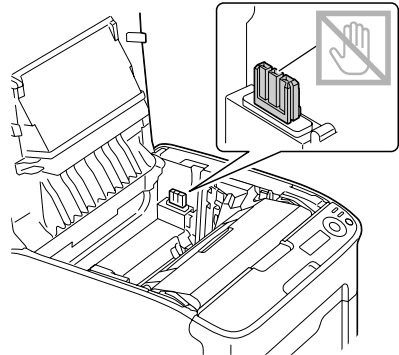


---

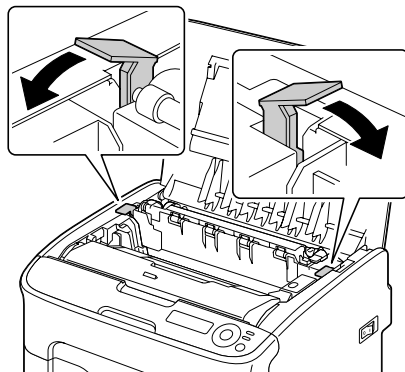
**Note**

---

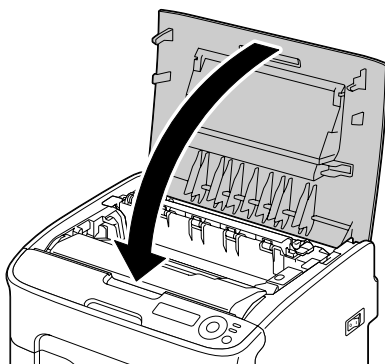
Do not touch the matching connectors of the fuser unit and the machine.



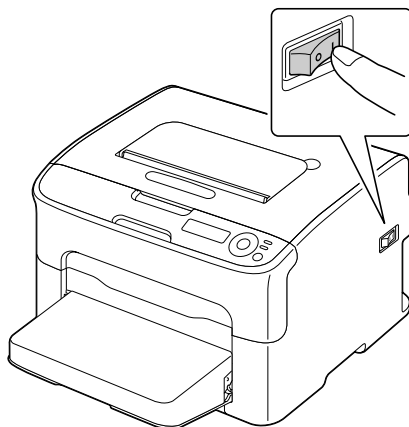
- 9 After the fuser unit is firmly installed, flip the blue handles down toward you.



- 10 Carefully close the top cover.



- 11 Reconnect the power cord, and turn on the printer.



# *Maintaining the Printer*

# 7

# Maintaining the Printer



## CAUTION

**Read all caution and warning labels carefully, making sure to follow any instructions contained in them. These labels are located on the inside of the printer's covers and the interior of the printer body.**

Handle the printer with care to preserve its life. Abuse handling may cause damage and void your warranty. If dust and paper scraps remain on the inside or outside of the printer, printer performance and print quality will suffer, so the printer should be cleaned periodically. Keep the following guidelines in mind.



## WARNING!

**Turn off the printer, unplug the power cord, and disconnect all interface cables before cleaning. Do not spill water or detergent into the printer; otherwise the printer will be damaged and an electric shock may occur.**



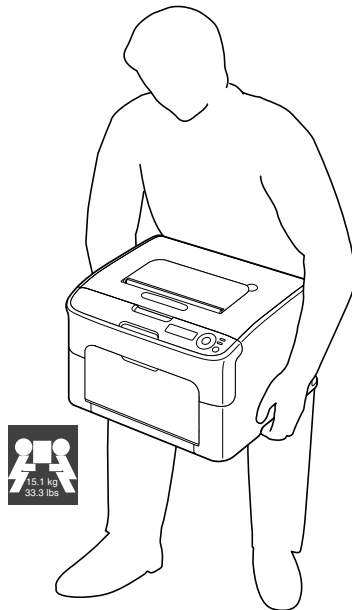
## CAUTION

**The fuser unit is hot. When the top cover is opened, the fuser unit temperature drops gradually (one hour wait time).**



- Be careful when cleaning the inside of the printer or removing media misfeeds, as the fuser unit and other internal parts may be very hot.
- Do not place anything on top of the printer.
- Use a soft cloth to clean the printer.
- Never spray cleaning solutions directly on the printer's surface; the spray could penetrate through the air vents of the printer and damage the internal circuits.
- Avoid using abrasive or corrosive solutions or solutions that contain solvents (such as alcohol and benzene) to clean the printer.
- Always test any cleaning solution (such as mild detergent) on a small inconspicuous area of your printer to check the solution's performance.
- Never use sharp or rough implements, such as wire or plastic cleaning pads.
- Always close the printer's covers gently. Never subject the printer to vibration.
- Do not cover the printer immediately after using it. Turn it off and wait until it cools down.

- Do not leave the printer's covers open for any length of time, especially in well-lit places; light may damage the imaging cartridge.
- Do not open the printer during printing.
- Do not tap media stacks on the printer.
- Do not lubricate or disassemble the printer.
- Do not tilt the printer.
- Do not touch the electrical contacts, gears, or laser devices. Doing so may damage the printer and cause the print quality to deteriorate.
- Keep media in the output tray at a minimum level. If the media is stocked too high, your printer may experience media misfeeds and excessive media curl.
- Keep the printer level to avoid toner spillage.
- When lifting the printer, grasp the areas shown in the figure.
- Before moving the printer, remove the dust cover, and fold up Tray 1.
- If the optional lower feeder unit, attachment and duplex option are installed, remove them and move them separately.



- If you get toner on your skin, wash it off with cool water and a mild soap.



## **CAUTION**

**If you get toner in your eyes, wash it out immediately with cool water and consult a doctor.**

- Make sure any parts removed during cleaning are replaced before you plug in the printer.

# Cleaning the Printer

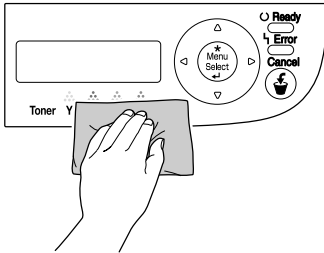


## CAUTION

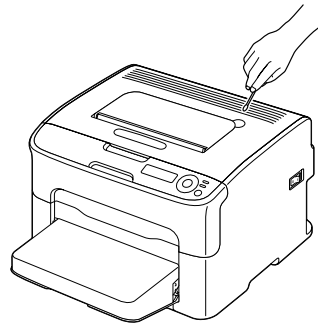
Be sure to turn off the printer and unplug the power cord before cleaning. However, be sure to turn on the printer when cleaning the print head window.

### Exterior

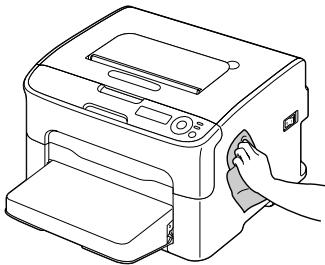
#### Control Panel



#### Ventilation Grill



#### Printer Exterior



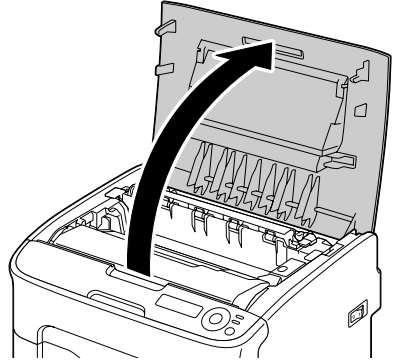
## Interior

### Cleaning the Media Feed Roller

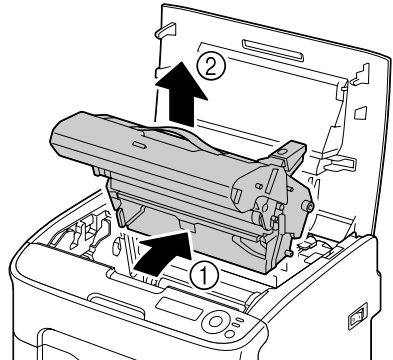
- 1 Open the top cover.



*If there is paper in the output tray, remove it, and then fold up the output tray before opening the top cover.*



- 2 Grab the handle and lift it up slightly to the back, and then slowly pull the imaging cartridge out vertically.

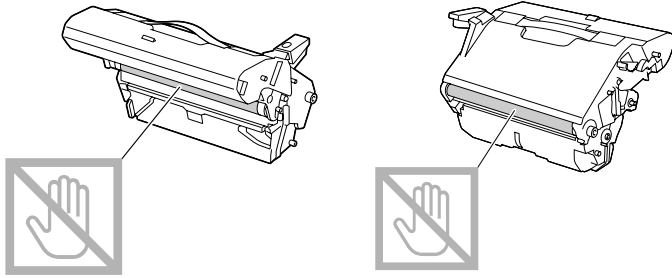




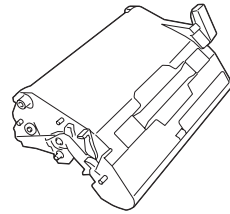
## Note

---

Do not touch the PC drum and the transfer belt on the imaging cartridge.

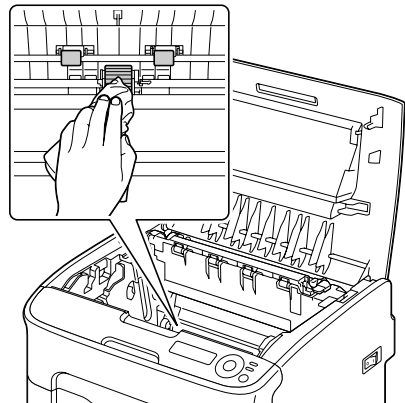


Position the removed imaging cartridge horizontally as shown in the illustration at the right. Be sure to keep the imaging cartridge horizontal and place it where it will not become dirty. Do not leave the imaging cartridge removed for more than 15 minutes, and do not place the removed imaging cartridge in a location where it would be exposed to direct light (such as sunlight).



- 
- 3** Clean the media feed rollers by wiping them with a soft, dry cloth.

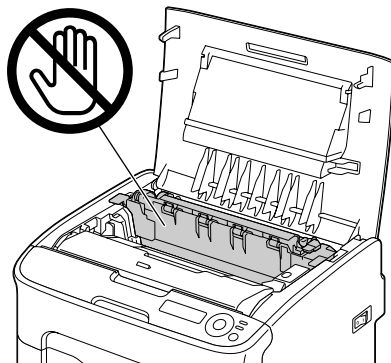
BOTTOM  
VIEW





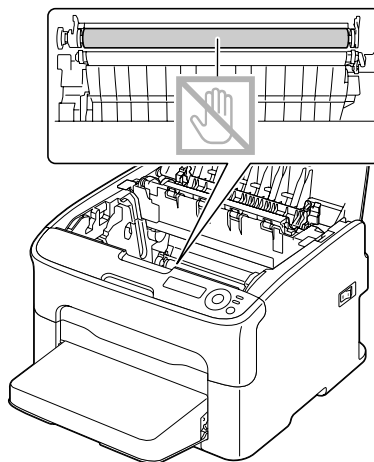
## CAUTION

The area around the fuser unit is extremely hot. Touching anything other than the indicated levers may result in burns. If you get burned, immediately cool the skin under cold water, and then seek professional medical attention.

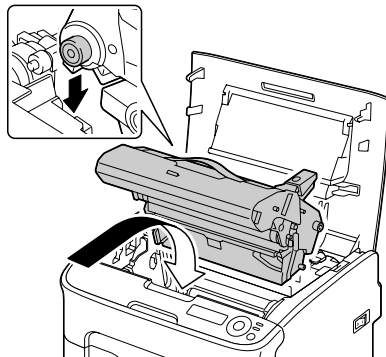


## Note

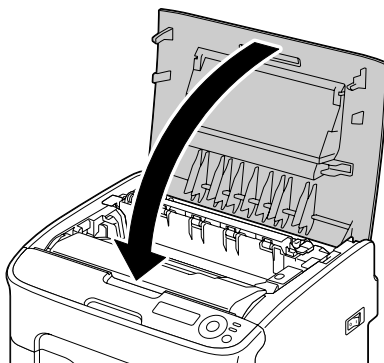
Decreased print quality may result if the surface of the transfer roller is touched. Be careful not to touch the surface of the transfer roller.



- 4 Slowly insert the imaging cartridge vertically, and then push it slightly down toward you to finish reinstalling the imaging cartridge.



- 5 Carefully close the top cover.



## Cleaning the Print Head Window

- 1 Perform the operation described below to switch the printer to the P/H CLEAN UP mode.

Press Key	Until Display Reads
	IDLE
* Menu Select ↵	MENU MAIN MANU
* Menu Select ↵	MAIN MENU PRINT MENU
▶ × 2	MAIN MENU QUALITY MENU
* Menu Select ↵	QUALITY MENU REPLACE TONER
▶ × 3	QUALITY MENU P/H CLEAN UP
* Menu Select ↵	P/H CLEAN UP *YES
* Menu Select ↵	*YES IS SELECTED
	Then, it displays OPEN DOOR REMOVE TONER

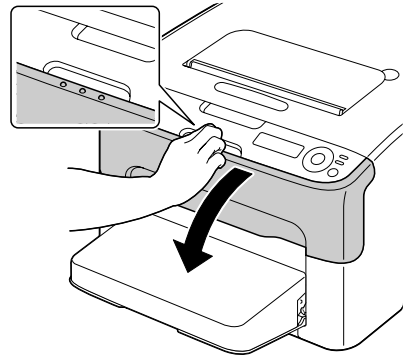


To exit P/H CLEAN UP mode, press the Cancel key.

**2** Open the front cover.



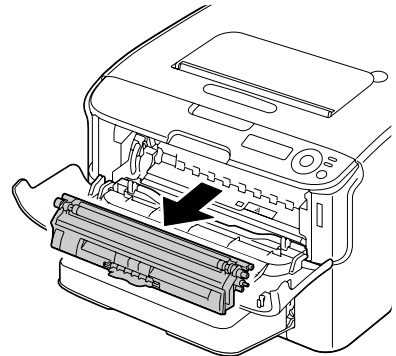
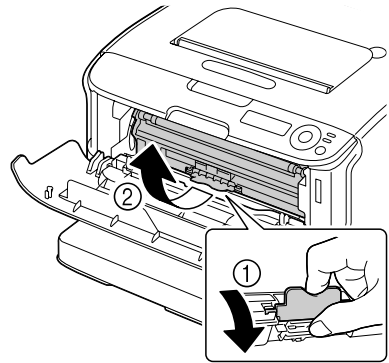
Before opening the front cover, open Tray 1 if it is not already open.



**3** The magenta toner cartridge has been moved to the position from where it can be replaced. Pull down the handle on the toner cartridge until the toner cartridge is unlocked and moves out slightly toward you. Remove the toner cartridge.

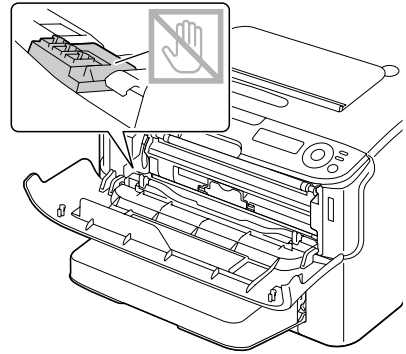


When the magenta toner cartridge is removed, a gap is created within the printer so that the print head window can easily be cleaned.



## Note

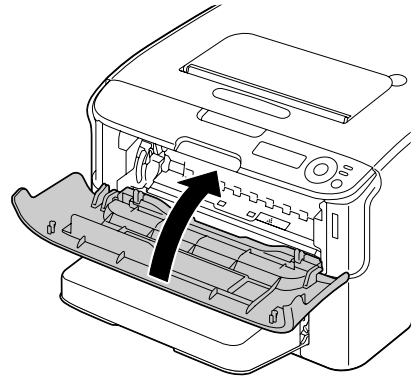
Do not touch the contact indicated in the illustration.



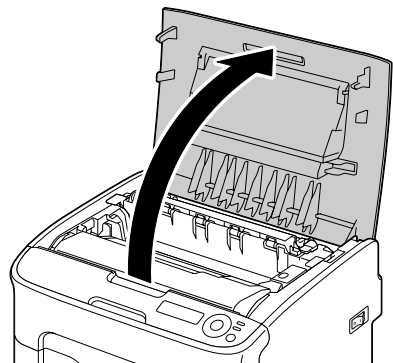
4 Close the front cover.



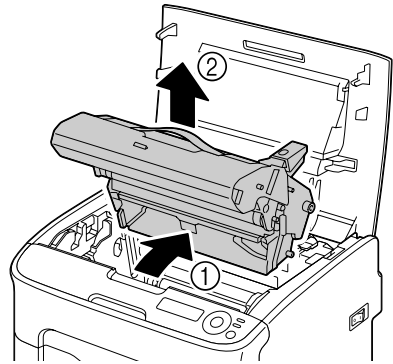
*The toner cartridge rotate within the printer.*



5 After the toner cartridges have finished rotating, open the top cover.



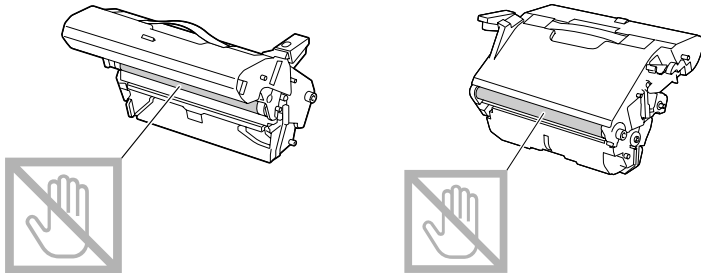
- 6** Grab the handle and lift it up slightly to the back, and then slowly pull the imaging cartridge out vertically.



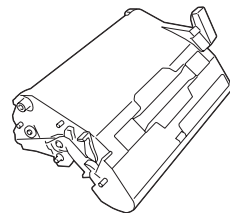
---

### Note

**Do not touch the PC drum and the transfer belt on the imaging cartridge.**

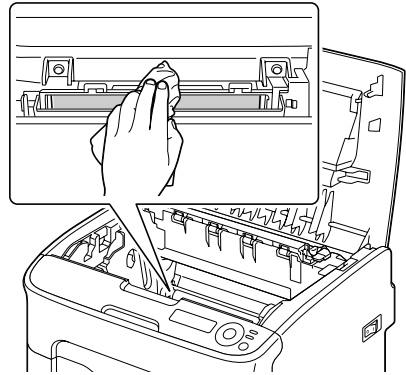


**Position the removed imaging cartridge horizontally as shown in the illustration at the right. Be sure to keep the imaging cartridge horizontal and place it where it will not become dirty. Do not leave the imaging cartridge removed for more than 15 minutes, and do not place the removed imaging cartridge in a location where it would be exposed to direct light (such as sunlight).**



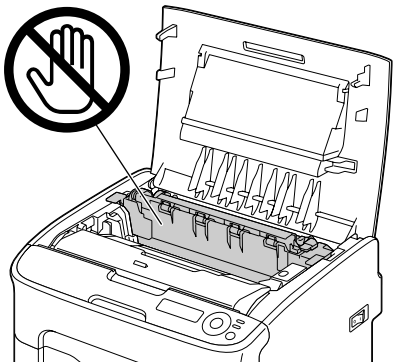
- 7 Clean the print head window by wiping it with a soft, dry cloth.

BOTTOM  
VIEW



## CAUTION

The area around the fuser unit is extremely hot. Touching anything other than the indicated levers may result in burns. If you get burned, immediately cool the skin under cold water, and then seek professional medical attention.

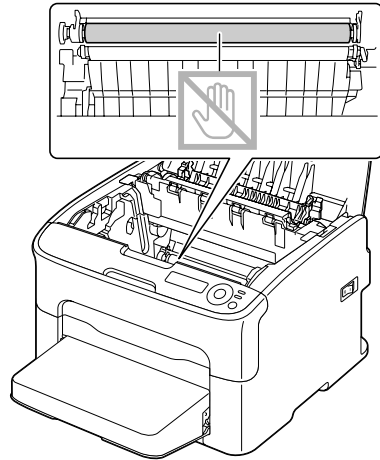




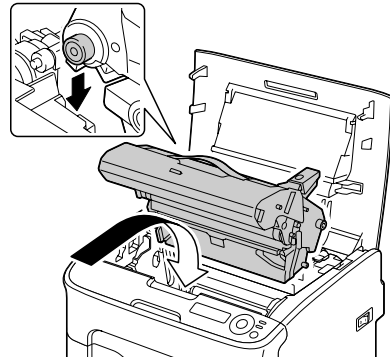
## Note

---

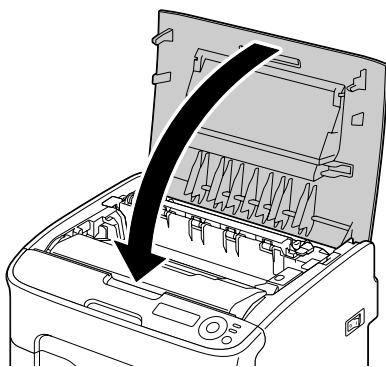
Decreased print quality may result if the surface of the transfer roller is touched. Be careful not to touch the surface of the transfer roller.



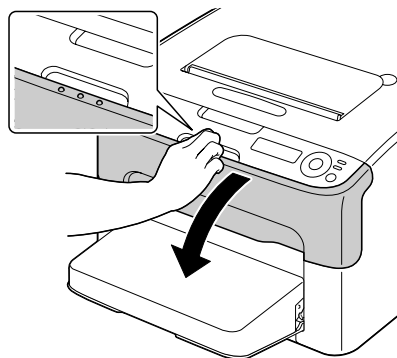
- 8 Slowly insert the imaging cartridge vertically, and then push it slightly down toward you to finish reinstalling the imaging cartridge.



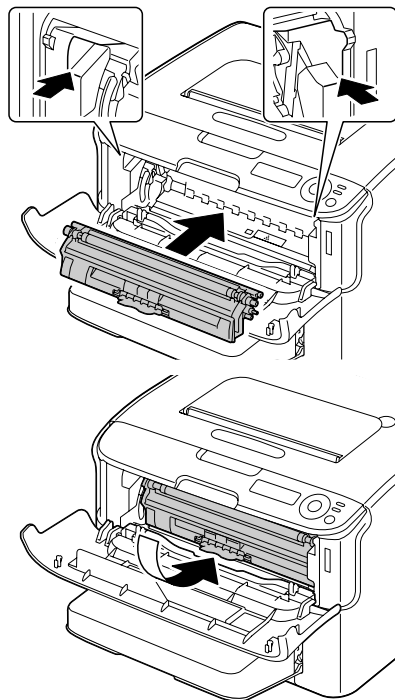
9 Close the top cover.



10 After the toner cartridges have finished rotating, open the front cover.



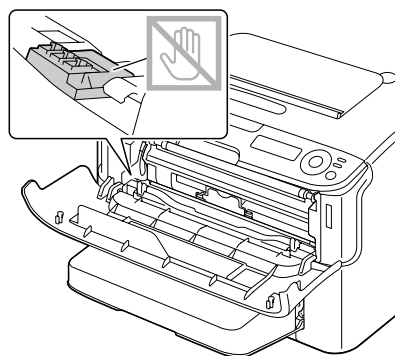
- 11 Align the shaft on each end of the toner cartridge with its holders, and then insert the cartridge.



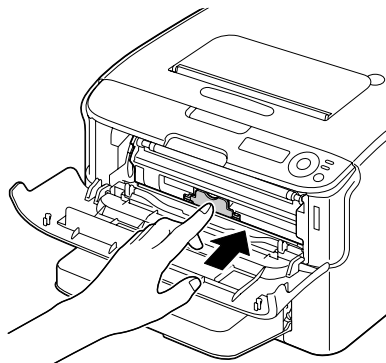
---

### Note

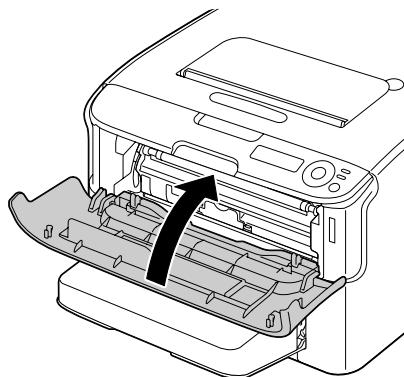
Do not touch the contact indicated in the illustration.



- 12** Press in the magenta toner cartridge until it locks into place.



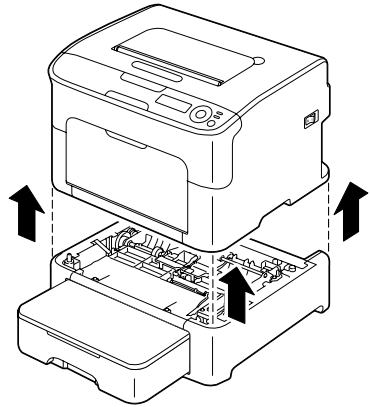
- 13** Close the front cover.



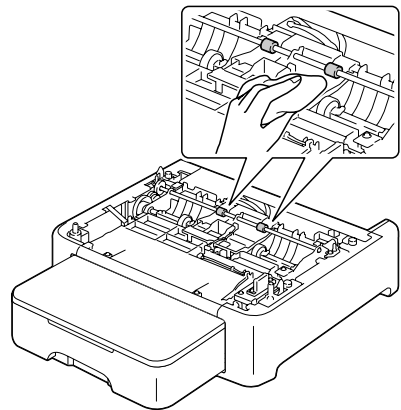
## Cleaning the Media Feed Rollers for Tray 2

Be sure to remove the duplex option before cleaning the media feed rollers for Tray 2.

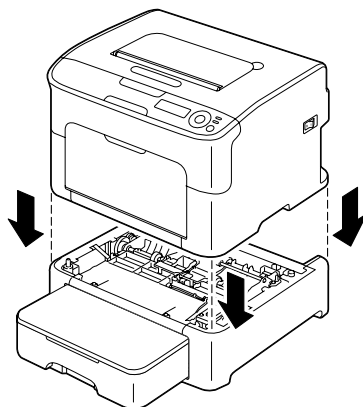
- 1 If the duplex option is installed, remove it.
- 2 Remove the dust cover from Tray 1.  
Close Tray 1 and the output tray.
- 3 Lift the printer off of Tray 2 and temporarily place it on a sturdy flat surface.



- 4 Clean the media feed rollers by wiping them with a soft, dry cloth.



- 5 Lift the printer and reinstall it on top of Tray 2.

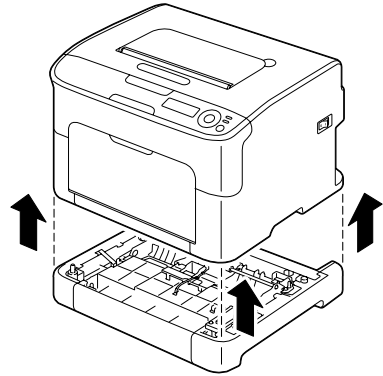


- 6 Open Tray 1 and reattach the dust cover.
- 7 If you removed the duplex option in step 1, reinstall it.

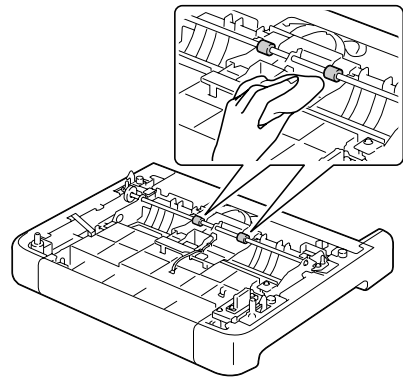
## Cleaning the Media Feed Rollers for the attachment

Be sure to remove the duplex option before cleaning the media feed rollers for the attachment.

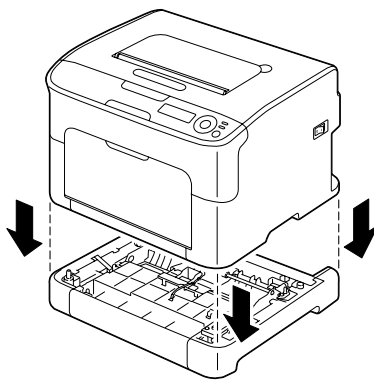
- 1 If the duplex option is installed, remove it.
- 2 Remove the dust cover from Tray 1.  
Close Tray 1 and the output tray.
- 3 Lift the printer off of the attachment and temporarily place it on a sturdy flat surface.



- 4 Clean the media feed rollers by wiping them with a soft, dry cloth.



- 5** Lift the printer and reinstall it on top of the attachment.



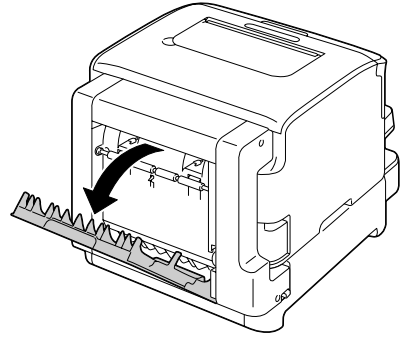
- 6** Open Tray 1 and reattach the dust cover.

- 7** If you removed the duplex option in step 1, reinstall it.

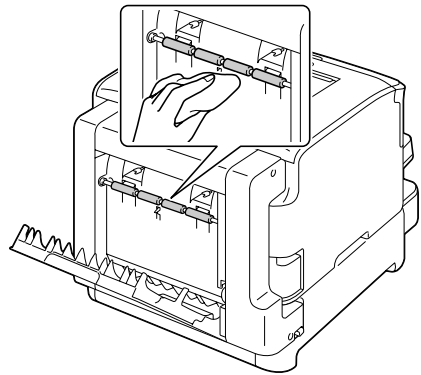


## Cleaning the Duplex Feed Rollers

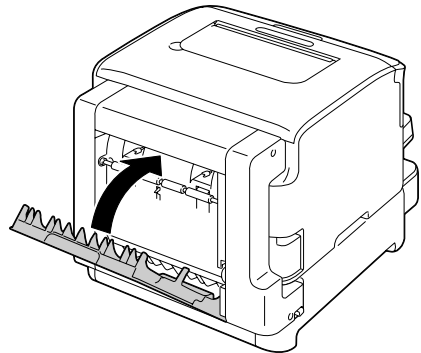
- 1 Open the duplex cover.



- 2 Clean the feed rollers by wiping them with a soft, dry cloth.



- 3 Carefully close the duplex cover.



# *Troubleshooting* 8

# Introduction

This chapter provides information to aid you in resolving printer problems you may encounter, or at least guide you to the proper sources for help.

Printing the configuration page	page 8-2
Preventing media misfeeds	page 8-4
Understanding the media path	page 8-5
Clearing media misfeeds	page 8-5
Solving problems with media misfeeds	page 8-19
Solving other problems	page 8-21
Solving problems with printing quality	page 8-25
Status, error, and service messages	page 8-31

## Printing a Configuration Page

Print a configuration page to verify the printer is configured correctly.

Press Key	Until Display Reads
	IDLE
<b>*</b> Menu Select ↵	MENU MAIN MENU
<b>*</b> Menu Select ↵	MAIN MENU PRINT MENU
<b>*</b> Menu Select ↵	PRINT MENU MENU MAP
▶	PRINT MENU CONFIGURATION

Press Key	Until Display Reads
* Menu Select ↵	CONFIGURATION YES
* Menu Select ↵	The configuration page prints and the printer goes back to IDLE.

# Preventing Media Misfeeds

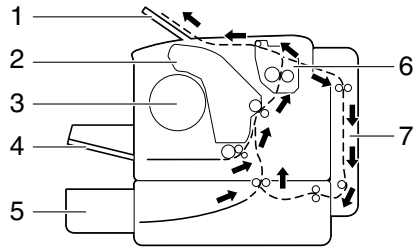
<b>Make sure that...</b>
Media matches the printer specifications.
Media is flat, especially on the leading edge.
The printer is on a hard, flat, level surface.
You store media in a dry location away from moisture and humidity.
You always adjust the media guides in Tray 1 <i>after</i> inserting the media ( <i>a guide that is not properly adjusted can cause poor print quality, media misfeeds, and printer damage</i> ).
You load the media printing-side up in the tray ( <i>many manufacturers place an arrow on the end of the wrapper to indicate the printing side</i> ).

<b>Avoid...</b>
Media that is folded, wrinkled, or excessively curled.
Double feeding ( <i>remove the media and fan the sheets—they may be sticking together</i> ).
Loading more than one type/size/weight of media in a tray at the same time.
Overfilling the trays.
Allowing the output tray to overfill ( <i>the output tray has a 100-sheet capacity—misfeeding may occur if you allow more than 100 sheets of media to accumulate at one time</i> ).

# Understanding the Media Path

Understanding the printer's media path will help you locate media misfeeds.

- 1 Output tray
- 2 Imaging cartridge
- 3 Toner cartridge carousel
- 4 Tray 1
- 5 Tray 2 (optional)
- 6 Fuser unit
- 7 Duplex option



## Clearing Media Misfeeds

To avoid damage, always remove misfed media gently, without tearing it. Any piece of media left in the printer, whether large or small, can obstruct the media path and cause further misfeeds. Do not reload media that has misfed.

### Note

The image is not fixed on the media before the fusing process. If you touch the printed surface, the toner may stick to your hands, so be careful not to touch the printed face when removing the misfed media. Make sure not to spill any toner inside the printer.



### CAUTION

Unfused toner can dirty your hands, clothes, or anything else it gets on. If you accidentally get toner on your clothes, lightly dust them off as best as you can. If some toner remains on your clothes, use cool, not hot water, to rinse the toner off. If toner gets on your skin, wash it off with cool water and a mild soap.




### CAUTION

If you get toner in your eyes, wash it out immediately with cool water and consult a doctor.

If, after clearing the media misfeed, the misfeed message in the control panel window persists, open and close the printer's top cover. This should clear the misfeed message.

## Media Misfeed Messages and Clearing Procedures

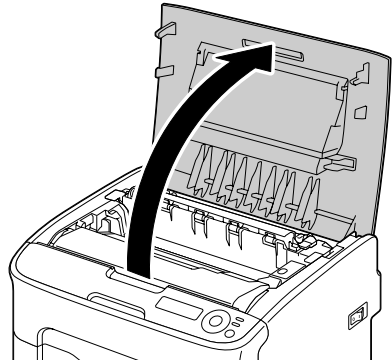
Media Misfeed Message	Page Reference
CHECK TRAY1 PAPER  (Displaying alternately) PRESS MENU/SELECT	This message appears in the following cases. <ul style="list-style-type: none"> <li>● When no media is loaded in Tray 1</li> <li>● When a misfeed has occurred in Tray 1</li> </ul> With the first case, load media into the tray, and then press the <b>Menu Select</b> key. With the second case, refer to page 8-13.
PAPER JAM FUSER	page 8-7
PAPER JAM EXIT	page 8-7
PAPER JAM TRANSFER	page 8-7
PAPER JAM TRAY2 OPEN TOP COVER	page 8-14
PAPER JAM DUPLEX	page 8-17

## Clearing a Media Misfeed in the Printer

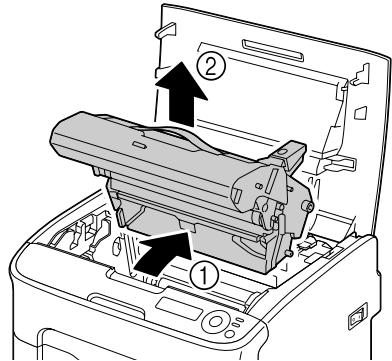
- 1 Open the top cover.



*If there is paper in the output tray, remove it, and then fold up the output tray before opening the top cover.*



- 2 Grab the handle and lift it up slightly to the back, and then slowly pull the imaging cartridge out vertically.

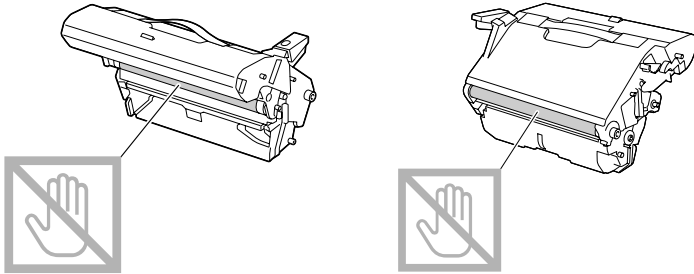




## Note

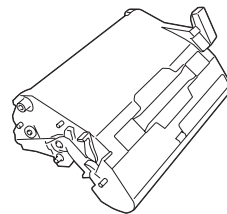
---

Do not touch the PC drum and the transfer belt on the imaging cartridge.

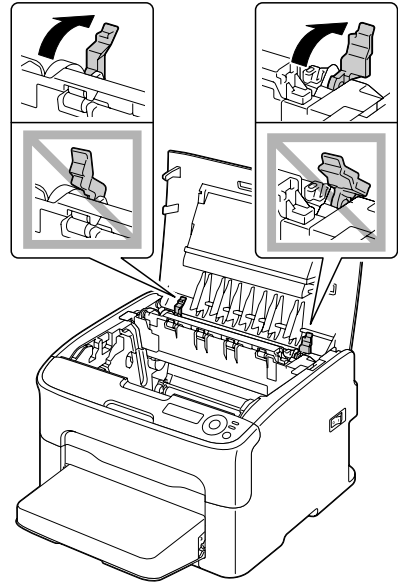


Position the removed imaging cartridge as shown in the illustration at the right. Be sure to keep the imaging cartridge horizontally horizontal and place it where it will not become dirty. Do not leave the imaging cartridge removed for more than 15 minutes, and do not place the removed imaging cartridge in a location where it would be exposed to direct light (such as sunlight).

---

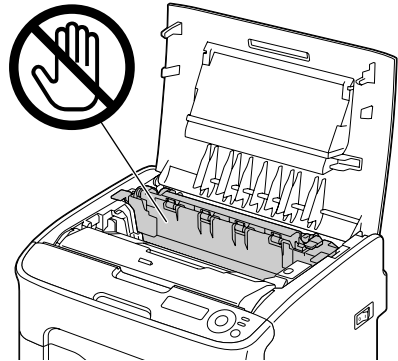


- 3 Push the fuser separator levers back as far as possible.



## CAUTION

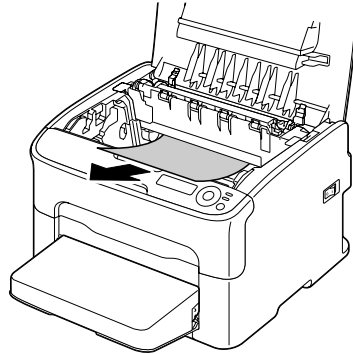
The area around the fuser unit is extremely hot. Touching anything other than the indicated levers may result in burns. If you get burned, immediately cool the skin under cold water, and then seek professional medical attention.



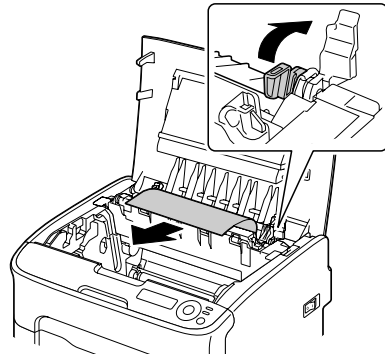
## 4 Remove any misfed media.



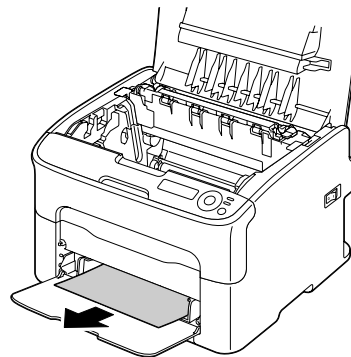
*If a media misfeed occurs near the fuser unit, pull out the media from below the fuser unit, as shown in the illustration at the right.*



*If the media cannot be removed from below the fuser unit, raise the fuser unit cover, and then remove the media from above the fuser unit.*



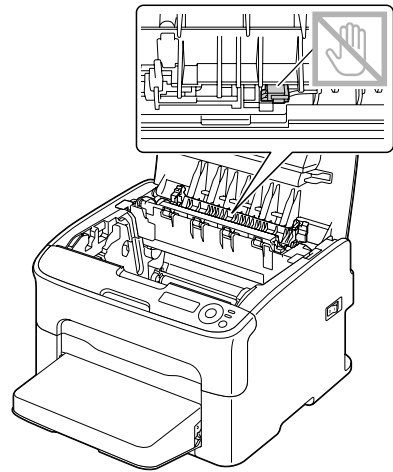
*Remove the dust cover from Tray 1 and remove the media.*



---

**Note**

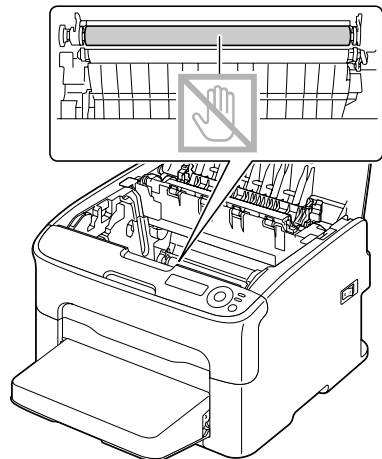
Do not touch the paper exit sensor on the fuser unit.



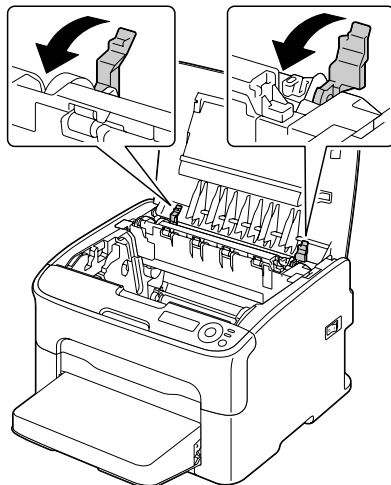
---

**Note**

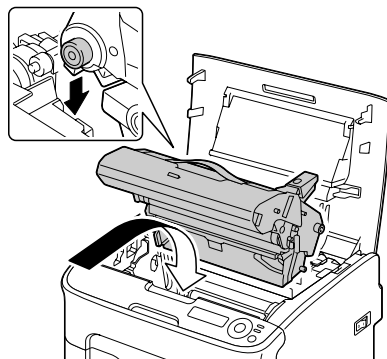
Decreased print quality may result if the surface of the transfer roller is touched. Be careful not to touch the surface of the transfer roller.



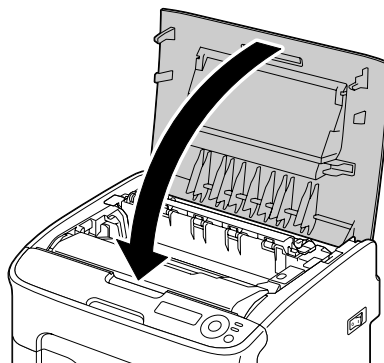
- 5 Return the fuser separator levers to their original positions.



- 6 Slowly insert the imaging cartridge vertically, and then push it slightly down toward you to finish reinstalling the imaging cartridge.

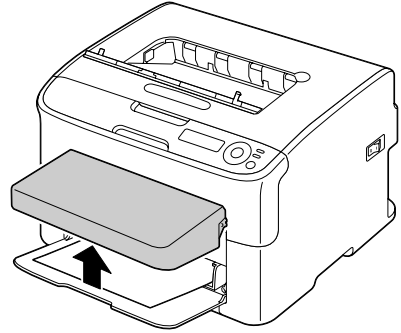


- 7 Carefully close the top cover.



## Clearing a Media Misfeed From Tray 1

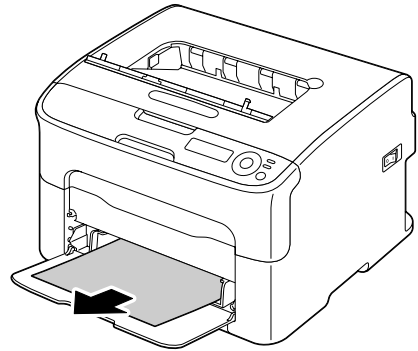
- 1 Remove the dust cover from Tray 1.



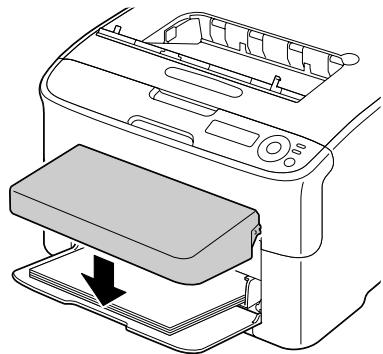
- 2 Carefully pull out the misfed media.



*If the media cannot be removed, instead of pulling it with extreme force, clear the media misfeed according to the procedure described in "Clearing a Media Misfeed in the Printer" on page 8-7.*



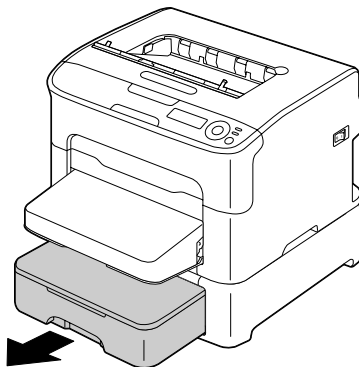
- 3 Reattach the dust cover.



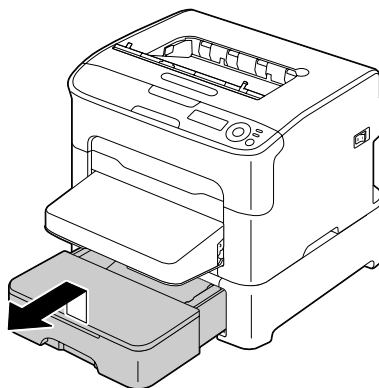
- 4 Press the **Menu Select** key.

## Clearing a Media Misfeed From Tray 2

- 1 Pull out Tray 2 as far as possible.



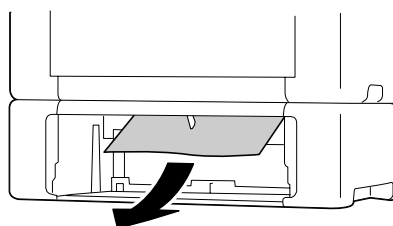
- 2 Lift up Tray 2 to remove it.



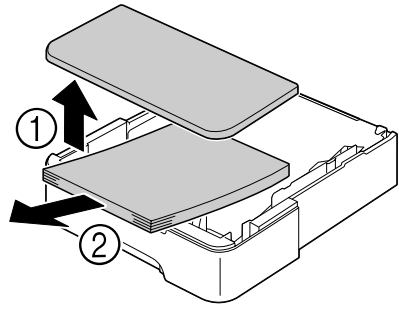
- 3 Remove any misfed paper.



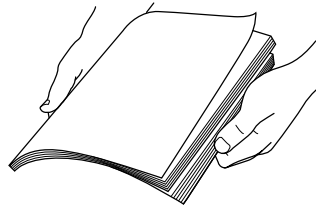
*If necessary, remove the dust cover from Tray 1 and close the tray.*



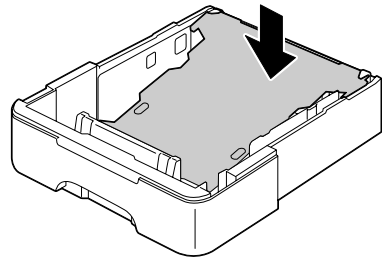
- 4 Remove the lid from Tray 2, and then remove all paper from the tray.



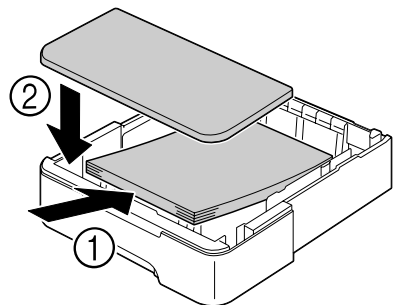
- 5 Fan the paper, and align its edges.



- 6 Press down the media pressure plate to lock it into place.

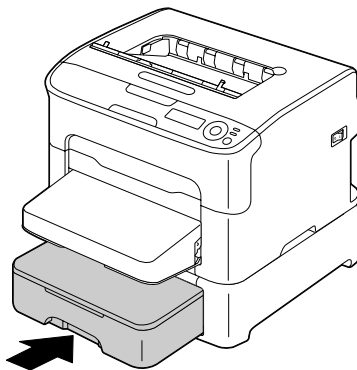


- 7 Load the media in Tray 2, and attach the lid.

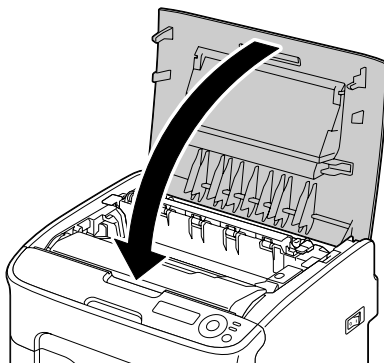
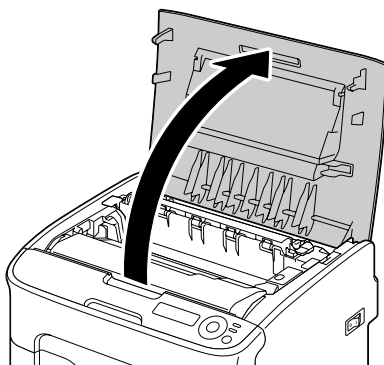




**8** Reinsert Tray 2.

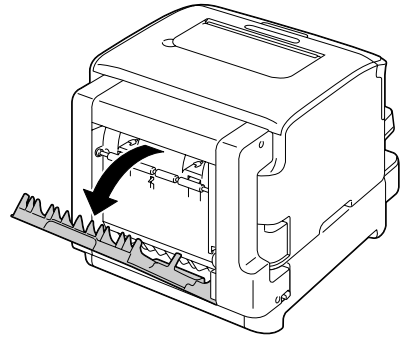


**9** Open and close the top cover to clear the misfeed message.



## Clearing a Media Misfeed from the Duplex Option

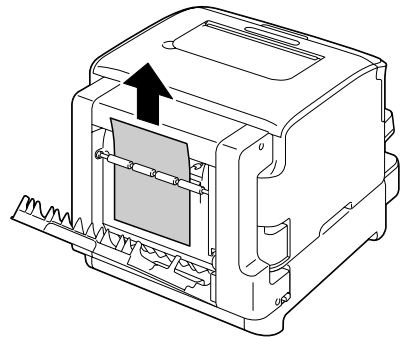
- 1 Open the duplex cover.



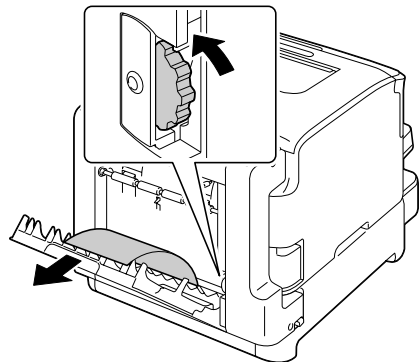
- 2 Carefully pull out the misfed media.



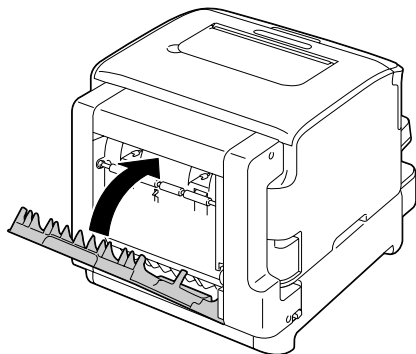
*Always remove the misfed media in the feed direction as shown only.*



*If the media misfeed occurs at the bottom feed slot and the media does not stick out enough to be removed, turn the dial at the right in the direction of the arrow until the media can be pulled out.*



**3** Close the duplex cover.



# Solving Problems with Media Misfeeds



*Frequent misfeeds in any area indicate that area should be checked, repaired, or cleaned. Repeated misfeeds may also happen if you're using unsupported print media.*

Symptom	Cause	Solution
Several sheets go through the printer together.	The front edges of the media are not even.	Remove the media and even up the front edges, then reload it.
	The media is moist from humidity.	Remove the moist media and replace it with new, dry media.
Media misfeed message stays on.	Top cover needs to be opened and closed again to reset the printer.	Open and close the top cover again.
	Some media remains misfed in the printer.	Recheck the media path and make sure that you have removed all of the misfed media.
Duplex option misfeeds.	Unsupported media (wrong size, thickness, type, etc.) is being used.	Use KONICA MINOLTA-approved media. See "Print Media" on page 5-2. Also, refer to <a href="http://printer.konicaminolta.com">http://printer.konicaminolta.com</a> for a complete list of currently approved media.
		Only Letter/A4 plain paper and recycled paper can be autoduplexed if the duplex option is installed and the media type is set properly in the driver.
		Make sure that you have not mixed media types in Tray 1.
		Do not duplex envelopes, labels, thick stock, postcard, or letterheads.
	Media is still being misfed.	Recheck the media path inside the duplex option and make sure that you have removed all of the misfed media.

Symptom	Cause	Solution	
Media is misfeeding.	The media is not correctly positioned in the tray.	Remove the misfed media and reposition the media properly in the tray.	
	The number of sheets in the tray exceeds the maximum allowed.	Remove the excess media and reload the correct number of sheets in the tray.	
	The media guides are not correctly adjusted to the media size.	Adjust the media guides in the Tray 1 to match the size of the media.	
	Warped or wrinkled media is loaded in the tray.	Remove the media, smooth it out, and reload it. If it still misfeeds, do not use that media.	
	The media is moist from humidity.	Remove the moist media and replace it with new, dry media.	
	Custom-sized media, envelopes, labels, postcards, thick stock, or letterheads are loaded in Tray 2.	Special media must be loaded in Tray 1 only.	
	The recommended label sheet is facing the wrong way in Tray 1.	Load the label sheets according to the manufacturer's instructions.	
	Envelopes are facing the wrong way in Tray 1.		Load the envelopes in Tray 1 with the flaps facing down.
			If the flaps are on the long edge (Envelope C6 and Envelope DL), load the envelopes with the flap edge toward the printer and the flap side facing down.
	Unsupported media (wrong size, thickness, type, etc.) is being used.	Use KONICA MINOLTA-approved media. See "Print Media" on page 5-2.  Also, refer to <a href="http://printer.konicaminolta.com">http://printer.konicaminolta.com</a> for a complete list of currently approved media.	
The media feed roller is dirty.	Clean the media feed roller.  For more details, refer to "Cleaning the Media Feed Roller" on page 7-5.		

# Solving Other Problems




To order KONICA MINOLTA consumables, go to [www.q-shop.com](http://www.q-shop.com).

Symptom	Cause	Solution
Printer power is not on.	The power cord is not correctly plugged into the outlet.	Turn off the printer, confirm that the power cord is correctly plugged into the outlet, and then turn on the printer.
	Something is wrong with the outlet connected to the printer.	Plug another electrical appliance into the outlet and see whether it operates properly.
	The power switch is not correctly turned on (I position).	Turn the power switch off (O position), then turn it back to the on (I position).
	The printer is connected to an outlet with a voltage or frequency that does not match the printer specifications.	Use a power source with the specifications listed in appendix A, "Technical Specifications".
The control panel displays X TONER LOW much sooner than expected.	One of the toner cartridges may be defective.	Remove the toner cartridges and check each for damage. If one or more is damaged, replace it.
	You printed with heavy toner coverage.	See specifications in appendix A, "Technical Specifications".
You can't print the configuration page.	The tray is empty.	Check that at least Tray 1 is loaded with media, in place, and secure.
	There is a media misfeed.	Clear the media misfeed.



<b>Symptom</b>	<b>Cause</b>	<b>Solution</b>
Printing takes too much time.	The printer is set to a slow printing mode (for example, thick stock).	It takes more time to print with special media. When using regular paper, make sure that the media type is set properly in the driver.
	The printer is set to power saving mode.	It takes time for printing to start in power saving mode.
	The job is very complex.	Wait. No action needed.
	A toner cartridge for a different region is installed (X INCORRECT is displayed in the message window).	Install a correct KONICA MINOLTA toner cartridge approved for your specific printer.
Blank pages are printed.	One or more of the toner cartridges are defective or empty.	Check the toner cartridges. The image will not print correctly or not at all, if a cartridge is empty.
	The wrong media is being used.	Check that the media type set in the driver matches the media loaded in the printer.
Printer returned to IDLE before the configuration menu was changed.	The printer was in the configuration menu structure without a selection being made within two minutes.	When in the configuration menu structure, select your choice within 2 minutes.
Not all pages print.	The Cancel key was pressed.	Make sure no one pressed the Cancel key while your job was printing.
	The tray is empty.	Check that the tray is loaded with media, in place, and secure.
	A document is printed with an overlay file which has been created by a non-suitable driver.	Print the overlay file using a suitable driver.




Symptom	Cause	Solution
Printer resets or turns off frequently.	The power cord is not correctly plugged into the outlet.	Turn off the printer, confirm that the power cord is correctly plugged into the outlet, and then turn on the printer.
	A system error occurred.	Contact Technical Support with the error information.
You are experiencing duplex problems.	Media or settings are not correct.	For autoduplexing, make sure that you have a duplex option installed.
		Make sure that you are using correct media. <ul style="list-style-type: none"> <li>■ Only Letter/A4 plain paper can be autoduplexed.</li> <li>■ Do not duplex envelopes, labels, postcards, thick stock, letterheads, or plain paper with a size other than Letter/A4.</li> <li>■ Make sure that you have not mixed media types in Tray 1.</li> </ul>
		Make sure the duplex option is installed and declared in the Windows printer driver (Properties/Configure tab).
		In the printer driver (Layout tab), choose "Double-sided".
You hear unusual noises.	The printer is not level.	Place the printer on a flat, hard, level surface.
	The tray is not installed correctly.	Remove the tray that you are printing from and reinsert it completely into the printer.
	There is a foreign object stuck inside the printer.	Turn off the printer and remove the object. If you cannot remove it, contact Technical Support.
The web-based utility cannot be accessed.	The PageScope Web Connection Administrator's password is incorrect.	The PageScope Web Connection Administrator password has a 1-character minimum and a 16-character maximum. For details of the PageScope Web Connection administrator password, refer to the Reference Guide on the Utilities and Documentation CD/DVD.








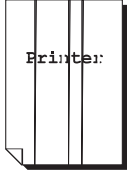
Symptom	Cause	Solution
<p data-bbox="191 124 328 177">Media is wrinkled.</p> 	<p data-bbox="339 124 572 209">The media is moist from humidity or having water spilled on it.</p>	<p data-bbox="583 124 997 177">Remove the moist media and replace it with new, dry media.</p>
	<p data-bbox="339 225 566 309">The media feed roller or fuser unit is defective.</p>	<p data-bbox="583 225 992 309">Check them for damage. If necessary, contact Technical Support with the error information.</p>
	<p data-bbox="339 325 555 435">Unsupported media (wrong size, thickness, type, etc.) is being used.</p>	<p data-bbox="583 325 992 378">Use KONICA MINOLTA-approved media. See "Print Media" on page 5-2.</p> <p data-bbox="583 394 969 478">Also, refer to <a href="http://printer.konicaminolta.com">http://printer.konicaminolta.com</a> for a complete list of currently approved media.</p>
<p data-bbox="191 496 328 667">The date and time is not correctly maintained on the printer.</p>	<p data-bbox="339 496 566 580">The backup battery has reached the end of its service life.</p>	<p data-bbox="583 496 869 523">Contact Technical Support.</p>


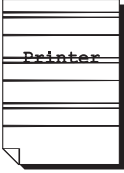
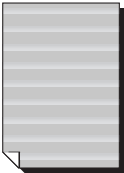
# Solving Problems with Printing Quality


Symptom	Cause	Solution
<p>Nothing is printed, or there are blank spots on the printed page.</p> 	One or more of the toner cartridges may be defective.	Remove the toner cartridges and check if any is damaged.
	The imaging cartridge may be defective.	Remove the imaging cartridge and check for damage. If it is damaged, replace it.
	The media is moist from humidity.	Adjust the humidity for media storage. Remove the moist media and replace it with new, dry media.
	The media set in the printer driver mismatches the media loaded in the printer.	Load the correct media in the printer.
	The power source does not match the printer specifications.	Use a power source with the proper specifications.
	Several sheets are being fed at the same time.	Remove the media from the tray and check for static electricity. Fan plain paper or other media, and replace it in the tray.
	Media is not set properly in the tray(s).	Remove the media, tap it to straighten it out, return it into the tray, and realign the media guides.
<p>Entire sheet is printed in black or color.</p> 	One or more of the toner cartridges may be defective.	Remove the toner cartridges and check each for damage. If one or more is damaged, replace it.
	The imaging cartridge may be defective.	Remove the imaging cartridge and check for damage. If it is damaged, replace it.

Symptom	Cause	Solution
Image is too light; there is low image density. 	The print head window is dirty.	Clean the print head window.
	The media is moist from humidity.	Remove the moist media and replace with new, dry media.
	There is not much toner left in the cartridge.	Replace the toner cartridge.
	One or more of the toner cartridges may be defective.	Remove the toner cartridges and check each for damage. If one or more is damaged, replace it.
	Media type is set incorrectly.	When printing envelopes, labels, postcards, thick stock, or letterheads, specify the appropriate media type in the printer driver.
Image is too dark. 	One or more of the toner cartridges may be defective.	Remove the toner cartridges and check each for damage. If one or more is damaged, replace it.
	The imaging cartridge may be defective.	Remove the imaging cartridge and check for damage. If it is damaged, replace it.
Image is blurred; background is lightly stained; there is insufficient gloss of the printed image. 	One or more of the toner cartridges may be defective.	Remove the toner cartridges and check each for damage. If one or more is damaged, replace it.
	The imaging cartridge may be defective.	Remove the imaging cartridge and check for damage. If it is damaged, replace it.

Symptom	Cause	Solution
The print or color density is uneven. 	One or more of the toner cartridges may be defective or low.	Remove the toner cartridges and check for damage. If it is damaged, replace it.
	The imaging cartridge is defective.	Remove the imaging cartridge and check for damage. If it is damaged, replace it.
	The printer is not level.	Place the printer on a flat, hard, level surface.
Irregular print or mottled image appears. 	The media is moist from humidity.	Adjust the humidity in the media storage area. Remove the moist media and replace it with new, dry media.
	Unsupported media (wrong size, thickness, type, etc.) is being used.	Use KONICA MINOLTA-approved media. See "Print Media" on page 5-2.  Also, refer to <a href="http://printer.konicaminolta.com">http://printer.konicaminolta.com</a> for a complete list of currently approved media.
	One or more of the toner cartridges may be defective.	Remove the toner cartridges and check each for damage. If one or more is damaged, replace it.
	The imaging cartridge is defective.	Remove the imaging cartridge and check for damage. If it is damaged, replace it.
There is insufficient fusing or the image comes off when rubbed. 	The media is moist from humidity.	Remove the moist media and replace it with new, dry media.
	Unsupported media (wrong size, thickness, type, etc.) is being used.	Use KONICA MINOLTA-approved media. See "Print Media" on page 5-2.  Also, refer to <a href="http://printer.konicaminolta.com">http://printer.konicaminolta.com</a> for a complete list of currently approved media.
	Media type is set incorrectly.	When printing envelopes, labels, postcards, thick stock, or letterheads, specify the appropriate media type in the printer driver.

Symptom	Cause	Solution
<p>There are toner smudges or residual images.</p> 	One or more of the toner cartridges are defective or installed incorrectly.	Remove the toner cartridges and check each for damage. If one or more is damaged, replace it.
<p>There are toner smudges on the back side of the page (whether or not it has been duplexed).</p> 	The media path is dirty with toner.	Print several blank sheets and the excess toner should disappear.
	One or more of the toner cartridges are defective.	Remove the toner cartridges and check each for damage. If one or more is damaged, replace it.
	The imaging cartridge is defective.	Remove the imaging cartridge and check for damage. If it is damaged, replace it.
<p>Abnormal areas (white, black, or color) appear in a regular pattern.</p> 	The print head window is dirty.	Clean the print head window.
	A toner cartridge may be defective.	Remove the toner cartridge with the color causing the abnormal image. Replace it with a new toner cartridge.
	The imaging cartridge is defective.	Remove the imaging cartridge and check for damage. If it is damaged, replace it.

Symptom	Cause	Solution
Image defects. 	The print head window is dirty.	Clean the print head window.
	A toner cartridge may be leaking.	Remove the toner cartridges and check for damage. If it is damaged, replace it.
	A toner cartridge may be defective.	Remove the toner cartridge with the color causing the abnormal image. Replace it with a new toner cartridge.
	The imaging cartridge may be defective.	Remove the imaging cartridge and check for damage. If it is damaged, replace it.
Lateral lines or bands appear on image. 	The printer is not level.	Place the printer on a flat, hard, level surface.
	The media path is dirty with toner.	Print several sheets and the excess toner should disappear.
	One or more of the toner cartridges may be defective.	Remove the toner cartridges and check each for damage. If one or more is damaged, replace it.
	The imaging cartridge is defective.	Remove the imaging cartridge and check for damage. If it is damaged, replace it.
Thin white horizontal lines appear at intervals on images. 	Toner is not evenly adhering to the media.	Perform IMAGE REFRESH. (On the control panel menu, go to MAIN MENU/QUALITY MENU/IMAGE REFRESH, then select YES.)  If the problem persists, contact your vendor or authorized service provider.
Colors look drastically wrong.	One or more of the toner cartridges may be defective.	Remove the toner cartridges and verify that the toner is distributed evenly on each cartridge roller, and reinstall the toner cartridges.
	One or more of the toner cartridges may be low or empty.	Check the control panel for an X TONER LOW or X TONER OUT message. If necessary, replace the specified toner cartridge.

<b>Symptom</b>	<b>Cause</b>	<b>Solution</b>
Colors are not registering properly; colors are mixed or have page-to-page variation.	The imaging cartridge is not correctly seated.	Remove the imaging cartridge and reinstall it.
	One or more of the toner cartridges may be defective.	Remove the toner cartridges and check each for damage. If one or more is damaged, replace it.
	The media is moist from humidity.	Remove the moist media and replace it with new, dry media.
The color has a poor reproduction or has poor color density. 	The imaging cartridge may be defective.	Remove the imaging cartridge and check for damage. If it is damaged, replace it.
		Perform AIDC. (On the control panel menu, go to MAIN MENU/QUALITY MENU/AIDC/REQUEST AIDC, then select YES.)

If the problem is not resolved, even after all of the above have been performed, contact Technical Support with the error information.

For contact information, refer to the Need Assistance Sheet.

# Status, Error, and Service Messages

Status, error, and service messages are displayed in the control panel message window. They provide information about your printer and help you locate many problems. When the condition associated with a displayed message has changed, the message is cleared from the window.


## Standard Status Messages


<b>This message...</b>	<b>means...</b>	<b>do this...</b>
CALIBRATING	Whenever you replace a toner cartridge or reboot the printer after making environmental changes, the printer automatically pauses to do an Auto-Image Density Control (AIDC) cycle. This process is provided to make reliable printer operation with optimum output quality possible.	No action needed.
CANCELLING JOB	The job is being cancelled.	
ENERGY SAVER	The printer is in Energy Saver mode to reduce power consumption during periods of inactivity.  In addition, the machine will return to its normal operating condition when any key on the control panel is pressed.	
IDLE	The printer is on and ready to receive data.	
INITIALIZING	The printer is being initialized.	
PRINTING	The printer is printing.	



This message...	means...	do this...
PROCESSING	The printer is processing data.	No action needed.
magicolor 1650 STARTING PRINTER	The printer is being started up.	
PORT AUTH ACTIVE	The IEEE802.1x port is being authorized.	
WARMING UP	The printer is warming up.	
REFRESHING	The printer is adjusting the toner distribution.	



## Error Messages (Warning)

This message...	means...	do this...
CHECK TRAY1 PAPER  ↕ (Displaying alternately)	Tray 1 is empty.	Load the media into Tray 1, and then press the <b>Menu Select</b> key.
PRESS MENU/SELECT	Media has misfed in Tray 1.	Remove the misfed media.
I/C END	The imaging cartridge has reached the end of its life.	 <p><i>Printing can continue, however, the printing result are not guaranteed. If printing is continued, the message "I/C LIFE END" appears and printing stops.</i></p>
I/C LOW	The imaging cartridge is near the end of its life.	Prepare a new imaging cartridge.
TRAY 2 IS EMPTY	Tray 2 is empty.	Load the media into Tray 2.

<b>This message...</b>	<b>means...</b>	<b>do this...</b>
TRAY 2 OPEN	Tray 2 cassette is not installed or is not fully closed.	Close Tray 2 or print from another tray.
VIDEO I/F ERROR	A video interface error occurred in the printer.	Turn off the printer. After a few seconds, turn on the printer.
X INCORRECT	The X toner cartridge is an unapproved type.	Install a KONICA MINOLTA toner cartridge of the appropriate type (AM, EU, AP or GC). See page 6-3.
X MEMORY ERROR	A memory error occurred in the toner cartridge.	Re-install the specified toner cartridge.
X TONER LOW	The X toner cartridge is nearly empty.	Prepare the specified color toner cartridge.
X TONER OUT (Ready Indicator: On. Error Indicator: Off)	The X toner cartridge is empty.  (If the MAIN MENU/ QUALITY MENU/ TONER OUT ACTION menu is set to CONTINUE.)	Replace the toner cartridge.   <i>Printing can continue, however, the printing results are not guaranteed. If printing is continued, the message "X TONER LIFE END" appears and printing stops.</i>

## Error Messages (Operator Call)

<b>This message...</b>	<b>means...</b>	<b>do this...</b>
AUTH TIMEOUT	The user is automatically logged off due to IEEE802.1x port authorization.	Reauthorize the IEEE802.1x port, and then log on.
AIDC ERROR	AIDC sensor error.	Open and close front cover to automatically clean AIDC parts.
BELT ERROR	The printer detected incorrect image position on the image transfer belt.	Check the cyan and black toner cartridges and replace them if they have run out.  If the error has not been recovered by this procedure, please call Technical Support.
DUPLEX UNIT PANEL OPEN	Duplex cover is open.	Close the duplex cover.
DOWNLOAD IMAGE INVALID	While updating code, an error has occurred.	The user should attempt the upgrade process again.
I/C LIFE END	The imaging cartridge is reached the end of its life.	Replace the imaging cartridge.
PAPER JAM DUPLEX	Media has misfed in the duplex option.	Locate and remove the misfeed.
PAPER JAM EXIT	Media has misfed in the fuser area.	
PAPER JAM FUSER		
PAPER JAM TRANSFER	Media has misfed in the transfer roller area. This type of misfeed means that the media did not make it to the paper exit area.	
PAPER JAM TRAY 2	Media has misfed while being pulled from Tray 2.	Locate and remove the misfeed.

This message...	means...	do this...
PUT "SIZE" "TYPE" IN TRAY 1	The size of paper being printed on is different from the size of paper specified in the printer driver.	Load the correct paper on Tray1, and press the <b>Menu Select</b> key, then specify the size and type of the paper.
PUT "SIZE" "TYPE" IN TRAY 2	The paper size set from the printer driver is different from the size of paper loaded into Tray 2.	<ul style="list-style-type: none"> <li>■ Open Tray 2 and keep correct paper size. Then close Tray 2.</li> <li>■ Specify the correct paper size in the MAIN MENU/ PAPER MENU/ INPUT TRAY/ TRAY2/ MEDIA SIZE menu.</li> </ul>
TOP COVER OPEN	The printer's top cover is open.	Close the top cover.
	The imaging cartridge is not installed.	Install the imaging cartridge.
	A imaging cartridge incompatible with the machine is installed.	Replace the imaging cartridge with a correct one.
X TONER LIFE END	The x toner cartridge has reached the end of its life.	Replace the toner cartridge.   <i>If the MAIN MENU/ QUALITY MENU/ TONER OUT ACTION menu is set to CONTINUE.</i>
X TONER MISSING	The x toner cartridge is not installed.	Install a x toner cartridge.
X TONER OUT  REPLACE XXXX  (Ready Indicator: Off. Error Indicator: On)	The x toner cartridge is empty.  (If the MAIN MENU/ QUALITY MENU/ TONER OUT ACTION menu is set to STOP.)	Replace the toner cartridge.   <i>If the MAIN MENU/ QUALITY MENU/ TONER OUT ACTION menu is set to CONTINUE, printing can continue. However, the printing results are not guaranteed.</i>

## Service Messages

These messages indicate a more serious error that can only be corrected by a customer service engineer. If one of these messages appears, turn the printer off, then turn it on again. If the problem persists, contact your local vendor or authorized service provider.

<b>This service message...</b>	<b>means...</b>	<b>do this...</b>
SERVICE CALL XXXX	An error has been detected with the item indicated "XXXX" in the service message.	Reboot the printer. This often clears the service message, and printer operation can resume.  If the problem persists, contact Technical Support.

# ***Installing Accessories***

# **9**

# Introduction

---




**Note**

---

**Use of accessories not manufactured or supported by KONICA MINOLTA will void your warranty.**

---

This chapter provides information about the following accessories.

<b>Tray 2</b>	500-sheet tray
<b>Duplex Option</b>	Auto duplexing  <i>In order for the duplex option to be installed, Tray 2 must be installed on the printer.</i>
<b>Duplex Option and Attachment</b>	Auto duplexing  <i>The attachment is an interface unit for installing the duplex option on the machine.</i>  <i>During installation, install the attachment before installing the duplex option.</i>

---

**Note**

---

**Installing accessories always requires that the printer and accessories are turned off and unplugged during installation.**

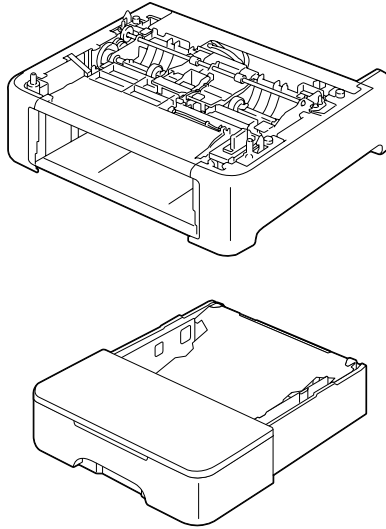
---



*For details on the available options, refer to [printer.konicaminolta.com](http://printer.konicaminolta.com).*

# Tray 2

If Tray 2 is installed, up to 500 additional sheets of A4/Letter-size paper can be loaded.



## Installing Tray 2

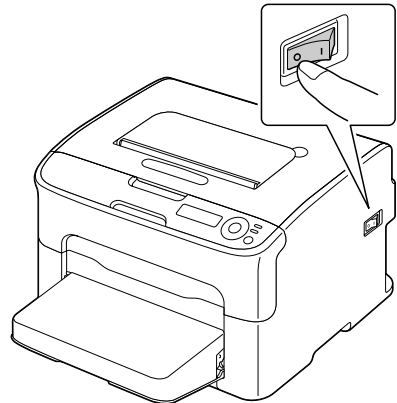
### Note

---

Since consumables are installed in the printer, be sure to keep the printer level when moving it in order to prevent accidental spills.

---

- 1 Turn off the printer and disconnect the power cord and interface cables.





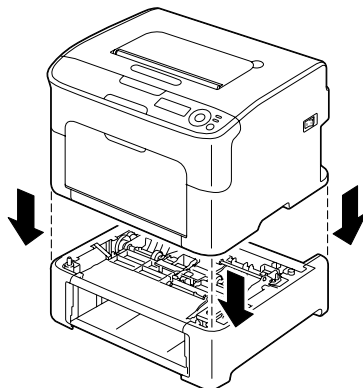
**2** Remove the dust cover from Tray 1.  
Close Tray 1 and the output tray.

**3** Prepare Tray 2.



*Be sure to place Tray 2 on a level surface.*

**4** Lift the printer and place it on top of Tray 2, making sure that the positioning pins on Tray 2 correctly fit into the holes in the bottom of the printer.

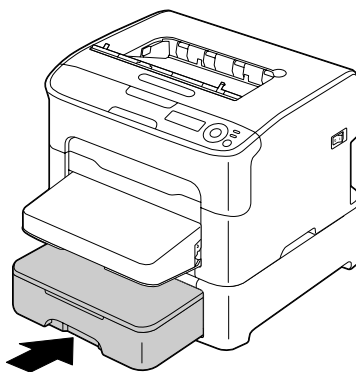


**5** Open Tray 1 and reattach the dust cover.

**6** Load paper into Tray 2.

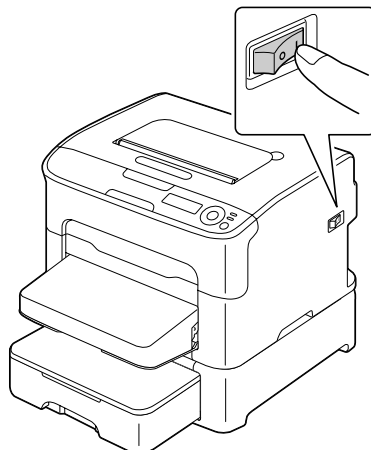
For details on loading paper, refer to “Tray 2” in “Loading Plain Paper” on page 5-18.

**7** Insert Tray 2 into the printer.



**8** Reconnect all interface cables.

- 9 Reconnect the power cord, and turn on the printer.



- 10 Declare the Tray 2 in the Windows printer driver (Properties/Configure tab, see page 2-2).

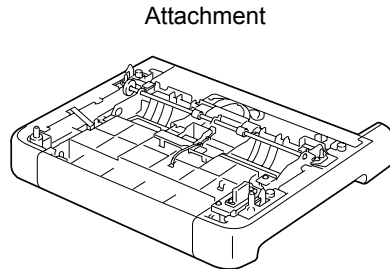
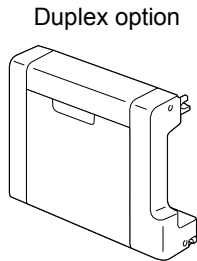
# Duplex Option

Duplex (Double Sided) printing can be performed automatically with the duplex option installed.

See “Duplexing” on page 5-21.

In order for the duplex option to be installed, either of the following must be installed on the printer.

- Tray 2
- Attachment

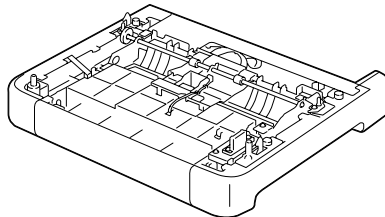


*If Tray 2 is installed, it is not necessary to install the attachment. In this case, skip “Installing the Attachment”, and continue with “Installing the Duplex Option” on page 9-8.*

## Installing Attachment

If the attachment is installed, the duplex option can be installed.

(The attachment cannot be used by itself; it must be used together with the duplex option.)



---

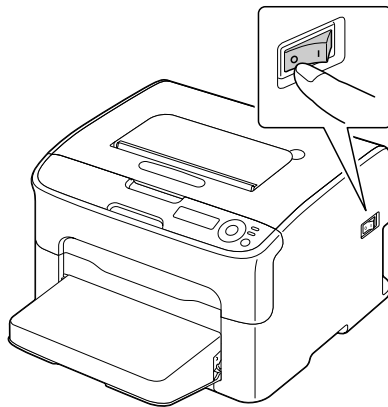
### Note

---

**Since consumables are installed in the printer, be sure to keep the printer level when moving it in order to prevent accidental spills.**

---

- 1 Turn off the printer and disconnect the power cord and interface cables.

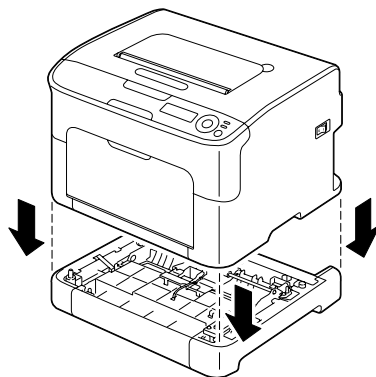


- 2 Remove the dust cover from Tray 1.  
Close Tray 1 and the output tray.
- 3 Prepare the attachment.



*Be sure to place the attachment on a level surface.*

- 4 Lift the printer and place it on top the attachment, making sure that the positioning pins on the attachment correctly fit into the holes on the bottom of the printer.



- 5 Open Tray 1 and reattach the dust cover.

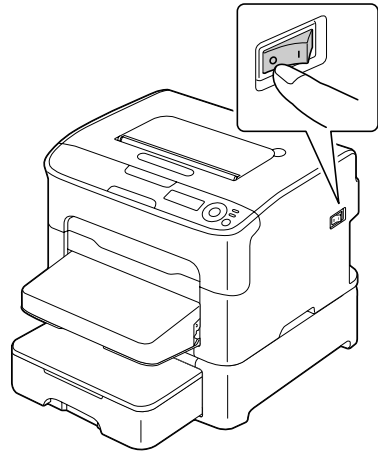
Next, install the duplex option.

## Installing the Duplex Option

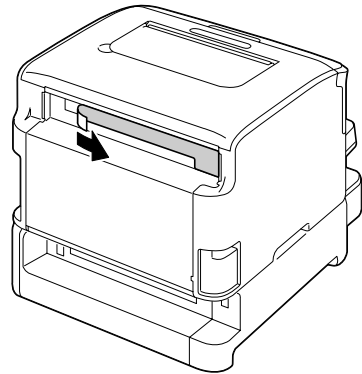


The illustrations in the following installation procedure show the printer with Tray 2 installed; however, the installation procedure would be the same if the attachment was installed.

- 1 Turn off the printer and disconnect the power cord and interface cables.

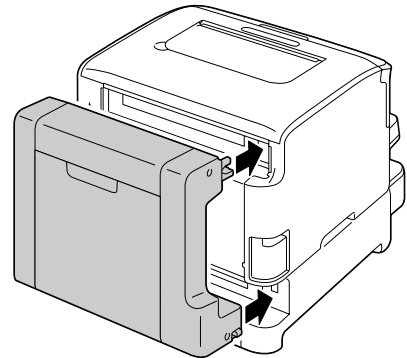
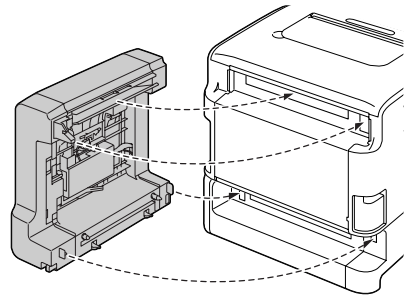


- 2 Remove the tape affixed to the rear cover.



- 3 Prepare the duplex option.

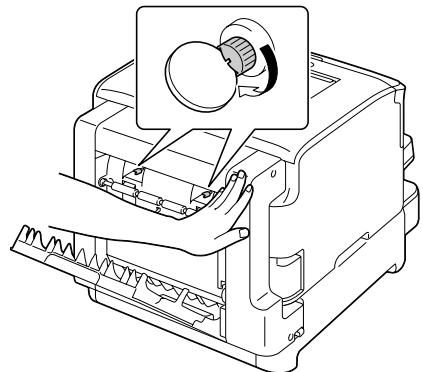
- 4** Install the duplex option. Align the duplex option with its installation position, and then push down on the bottom of the duplex option until it locks into place.



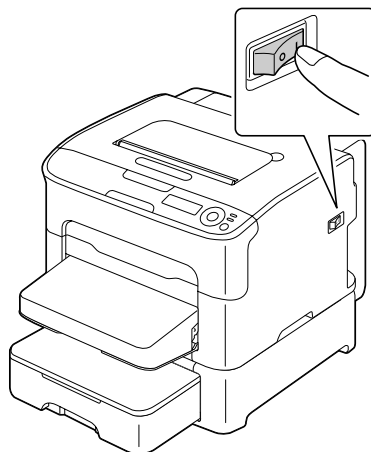
## Note

**When attaching the duplex option, attach the bottom of the option first. If the duplex option is attached incorrectly, it may be damaged.**

- 5** Open the duplex cover. While holding the duplex option against the printer, tighten the screws inside the cover to complete the installation of the duplex option.



- 6 Reconnect all interface cables.
- 7 Reconnect the power cord, and turn on the printer.



- 8 Declare the duplex in the Windows printer driver (Properties/Configure tab, see page 2-2).

# *Appendix* **A**



# Technical Specifications

## Printer

Type	Desktop full color laser beam printer
Printing system	Dual laser diode with polygon mirror
Developing system	Mono component development system
Fusing system	Heat roller system
Resolution	600 dpi × 600 dpi × 4 bits or 600 dpi × 600 dpi × 1 bit
First print	Simplex <ul style="list-style-type: none"><li>■ Monochrome: 13.0 seconds for A4, Letter (plain paper)</li><li>■ Full color: 22.0 seconds for A4, Letter (plain paper)</li></ul> Duplex <ul style="list-style-type: none"><li>■ Monochrome: 26.0 seconds for A4, Letter (plain paper)</li><li>■ Full color: 35.0 seconds for A4, Letter (plain paper)</li></ul>
Print speed	Simplex <ul style="list-style-type: none"><li>■ Monochrome: 20.0 pages per minute for A4, Letter (plain paper)</li><li>■ Full color: 5.0 pages per minute for A4, Letter (plain paper)</li></ul> Duplex <ul style="list-style-type: none"><li>■ Monochrome: Tray 1: 8.0 pages per minute for A4, Letter (plain paper) Tray 2: 13.2 pages per minute for A4, Letter (plain paper)</li><li>■ Full color: 5.0 pages per minute for A4, Letter (plain paper)</li></ul>
Warm-up time	Avg. 45 seconds

Media sizes	<p>Tray 1</p> <ul style="list-style-type: none"> <li>■ Paper width: 92 to 216 mm (3.6 to 8.5")</li> <li>■ Paper length: <ul style="list-style-type: none"> <li>Plain paper: 195 to 356 mm (7.7 to 14.0")</li> <li>Thick stock 1/2: 184 to 297 mm (7.25 to 11.7")</li> </ul> </li> </ul> <p>Tray 2 (Optional) A4/Letter</p>
Paper/Media	<p>Plain paper (60 to 90 g/m<sup>2</sup>; 16 to 24 lb bond)</p> <p>Envelope</p> <p>Thick stock 1 (91 to 163 g/m<sup>2</sup>)</p> <p>Thick stock 2 (164 to 209 g/m<sup>2</sup>)</p> <p>Postcard</p> <p>Letterhead</p> <p>Label sheet</p>
Input capacity	<p>Tray 1</p> <ul style="list-style-type: none"> <li>■ Plain paper: 200 sheets</li> <li>■ Envelope: 10 envelopes</li> <li>■ Label/Letterhead/Postcard/Thick Stock: 50 sheets</li> </ul> <p>Tray 2 (Optional) Plain paper: 500 sheets</p>
Output capacity	Output tray: 100 sheets (A4, Letter)
Operating temperature	10 to 35°C (50 to 95°F)
Operating humidity	15 to 85%
Power supply	120 V, 60 Hz 220 to 240 V, 50 to 60 Hz
Power consumption	120 V: 1000 W or less 220 to 240 V: 1060 W or less Energy Saver Mode: 18.5 W or less
Amperage	120 V: 8.4 A or less 220 to 240 V: 4.4 A or less

Acoustic Noise	Printing: 50 dB or less (monochrome) 49 dB or less (color) Standby: 29 dB or less
External dimensions	Height: 275 mm (10.8") Width: 396 mm (15.6") Depth: 380 mm (14.9")
Weights	11.9 kg (without consumables) 15.1 kg (with consumables)
Interface	USB 2.0 High-Speed compliant, 10Base-T/ 100Base-TX Ethernet
Standard memory	256 MB

# Consumable Life Expectancy Chart

## User-Replaceable

Item	Average Life Expectancy (in Simplex Pages)
Toner cartridge	<b>Starter Cartridge =</b> 500 pages (Y, M, C) 1,000 pages (K) <b>Replacement Cartridge =</b> Standard-capacity: 1,500 pages (Y, M, C) High-capacity: 2,500 pages (Y, M, C, K)
Imaging cartridge	<b>Monochrome:</b> 45,000 pages (Continuous) 10,000 pages (1 page per job) <b>Full color:</b> 11,250 pages (Continuous) 7,500 pages (1 page per job)
Fuser unit	50,000 pages

## Service-Replaceable

Item	Average Life Expectancy
Transfer roller	50,000 pages



The values listed in the above table indicate the number of pages for simplex printing using A4/Letter-size media with 5% coverage. The actual life may differ (be shorter) depending on the printing conditions (coverage, paper size, etc.), differences in the printing method, such as continuous printing or intermittent printing (when print jobs of one page are often printed), or the type of paper used, for example, thick paper. In addition, the life will be affected by the temperature and humidity of the operating environment.

# Our Concern for Environmental Protection



As an ENERGY STAR® Partner, we have determined that this machine meets the ENERGY STAR Guidelines for energy efficiency.

## **What is an ENERGY STAR product?**

An ENERGY STAR product has a special feature that allows it to automatically switch to a “low-power mode” after a period of inactivity. An ENERGY STAR product uses energy more efficiently, saves you money on utility bills and helps protect the environment.

---

# Index

---

## A

### Accessories

- Duplex option .....9-6
- Tray 2 .....9-3

## C

- Configuration menu .....4-5

### Consumables

- Fuser Unit .....6-19
- Imaging Cartridge .....6-16
- Toner cartridge .....6-2

- Control panel .....4-2

## D

- Duplexing .....5-21
  - Duplex option .....9-6

## E

- Envelope ..... 5-5
- Error messages ..... 8-32

## L

- Labels ..... 5-6
- Letterhead ..... 5-7
- Loading media ..... 5-10

## M

- Maintenance ..... 7-2

### Media

- Clearing misfeeds ..... 8-5
- Loading ..... 5-10
- Path ..... 8-5
- Preventing misfeeds ..... 8-4
- Printable area ..... 5-8

### Media misfeed

- Duplex option ..... 8-17

Interior .....	8-5
Tray 2 .....	8-14
<b>Media path</b> .....	8-5
<b>Media storage</b> .....	5-23
<b>Media type</b>	
Envelope .....	5-5
Labels .....	5-6
Letterhead .....	5-7
Plain paper .....	5-3
Postcard .....	5-7
Thick stock .....	5-4
<b>Message window</b> .....	4-2
<b>Messages</b> .....	8-31
<b>Misfeed problems</b> .....	8-19
Clearing .....	8-5
Media path .....	8-5
Preventing .....	8-4

## O

<b>Output tray</b> .....	5-22
--------------------------	------

## P

<b>Page margins</b> .....	5-9
<b>Plain paper</b> .....	5-3
<b>Postcard</b> .....	5-7
<b>Preventing media misfeeds</b> .....	8-4
<b>Print quality</b> .....	8-25
<b>Printable Area</b> .....	5-8
<b>Printer</b>	
Parts .....	1-4
<b>Printer driver</b> .....	2-6
Advanced tab .....	2-7
Basic tab .....	2-8
Cover page tab .....	2-8
Displaying .....	2-5
Layout tab .....	2-8
Other Tab .....	2-9
Quality Tab .....	2-9
Uninstalling .....	2-4
Watermark/Overlay Tab .....	2-8

## S

<b>Service messages</b> .....	8-36
<b>Status Monitor</b> .....	3-2

Closing .....	3-3
Opening .....	3-2
Using .....	3-2

## T

<b>Thick stock</b> .....	5-4
<b>Tray 2</b> .....	9-3
<b>Troubleshooting</b> .....	8-1

## Free Manuals Download Website

<http://myh66.com>

<http://usermanuals.us>

<http://www.somanuals.com>

<http://www.4manuals.cc>

<http://www.manual-lib.com>

<http://www.404manual.com>

<http://www.luxmanual.com>

<http://aubethermostatmanual.com>

Golf course search by state

<http://golfingnear.com>

Email search by domain

<http://emailbydomain.com>

Auto manuals search

<http://auto.somanuals.com>

TV manuals search

<http://tv.somanuals.com>