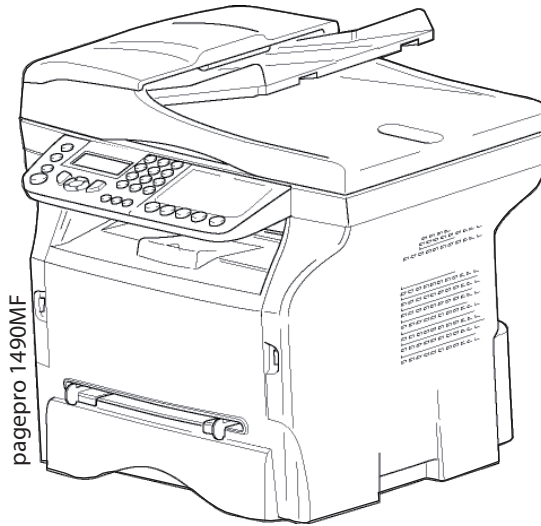
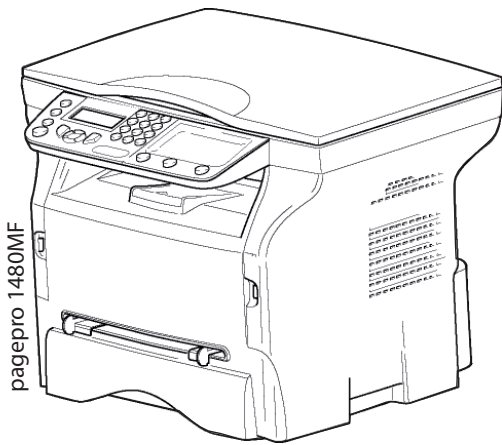




KONICA MINOLTA

The essentials of imaging



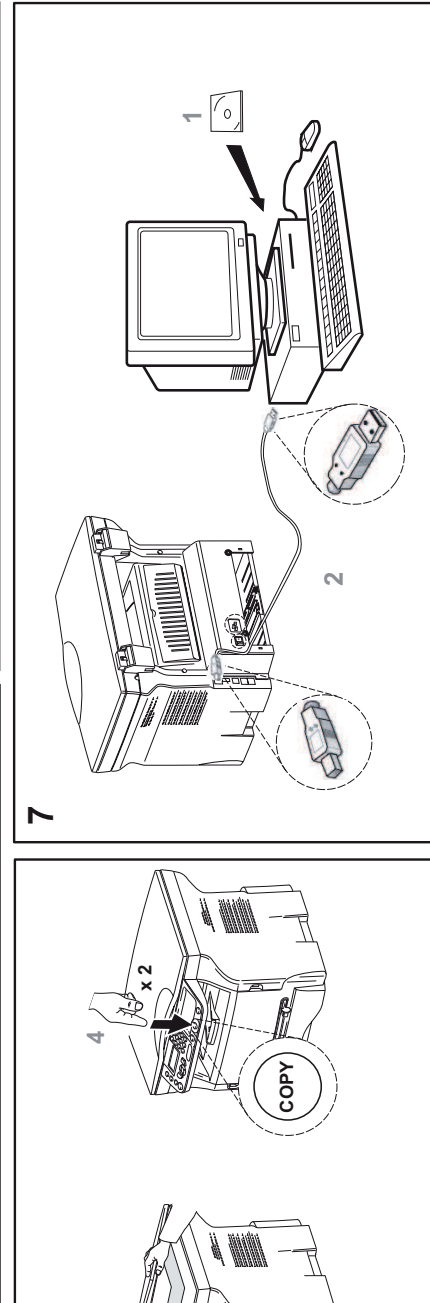
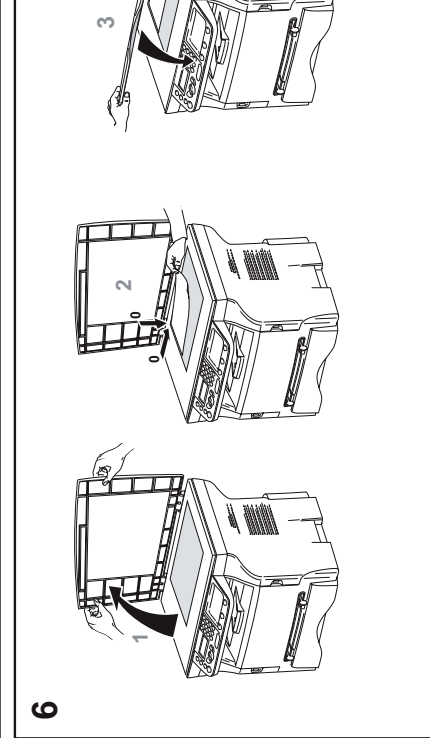
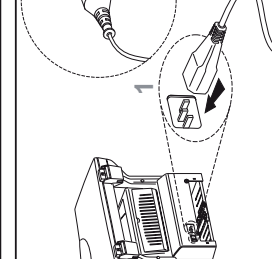
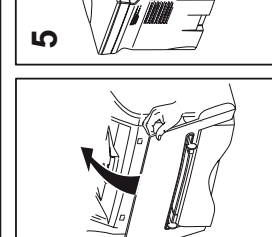
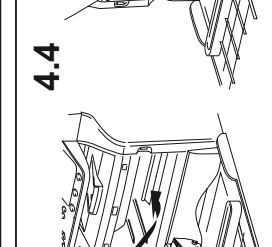
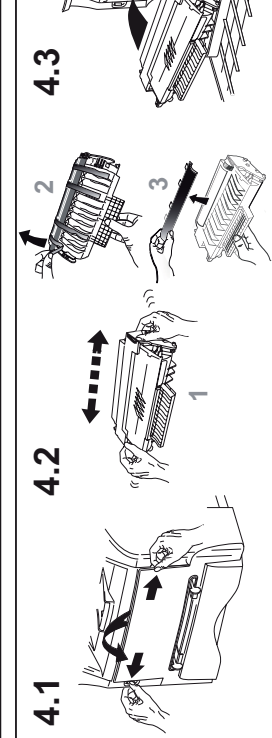
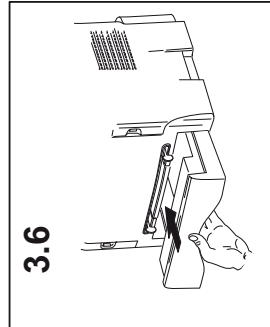
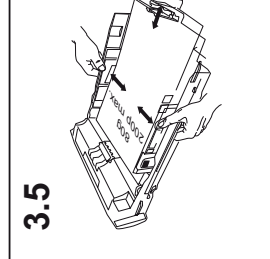
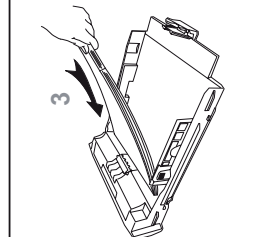
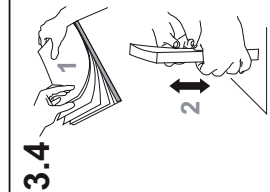
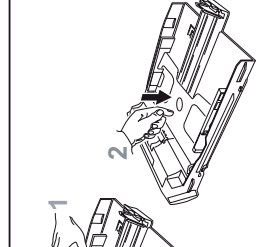
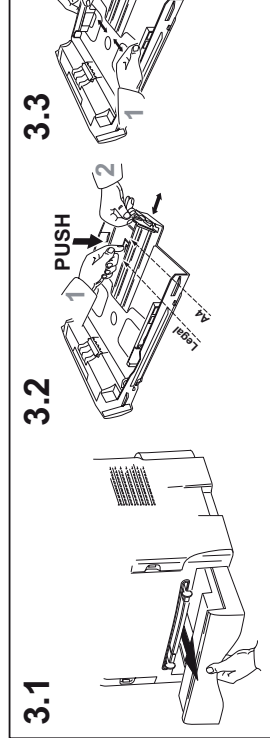
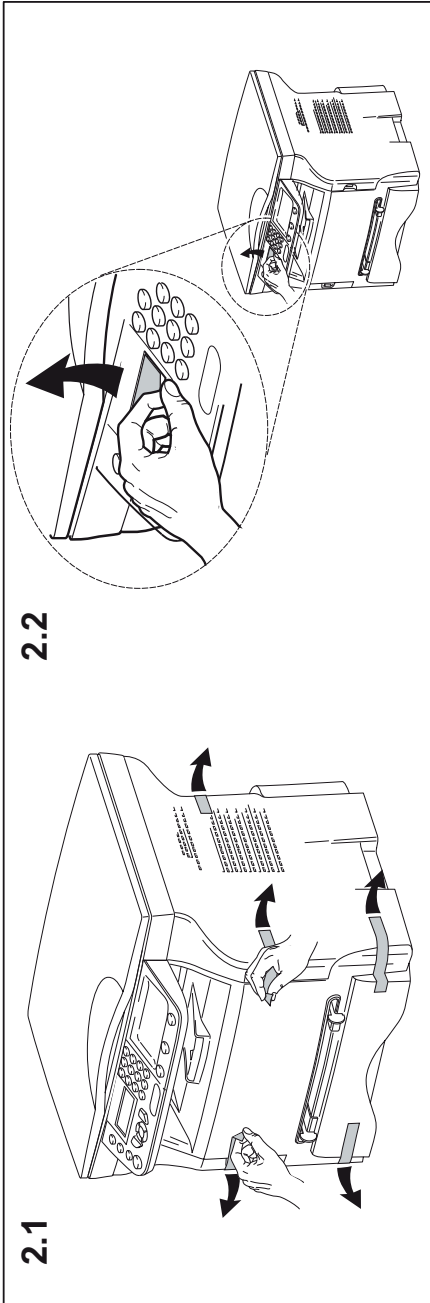
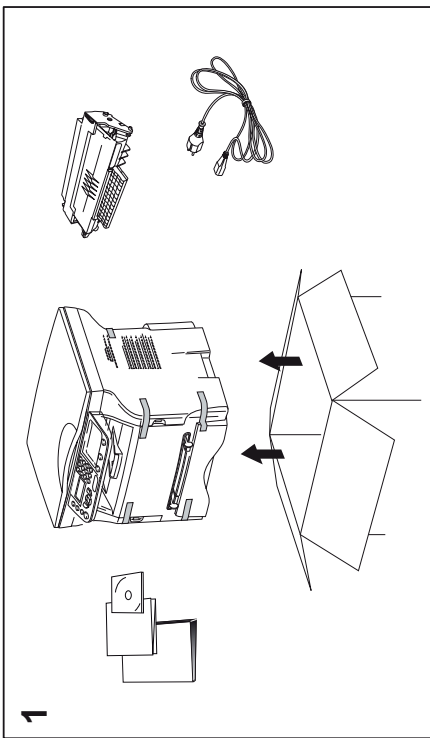
# pagepro 1480MF

# pagepro 1490MF

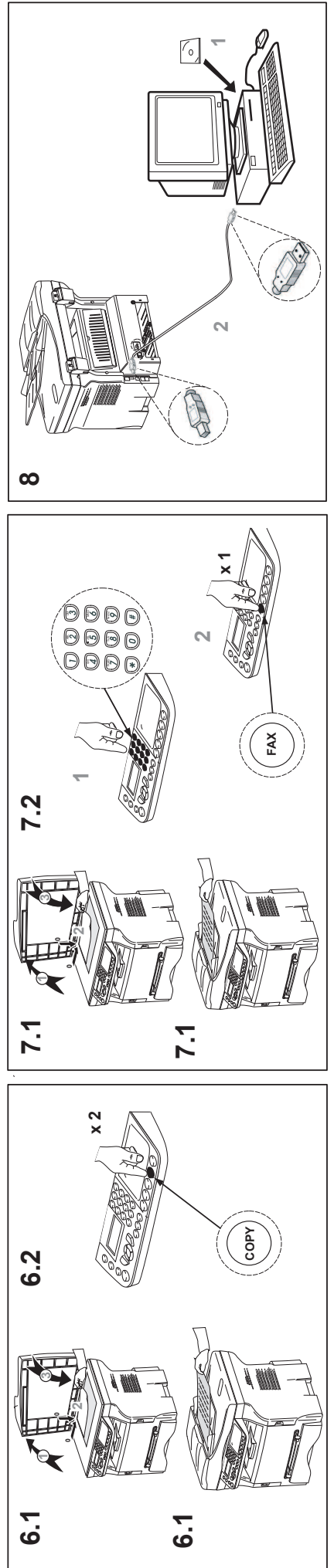
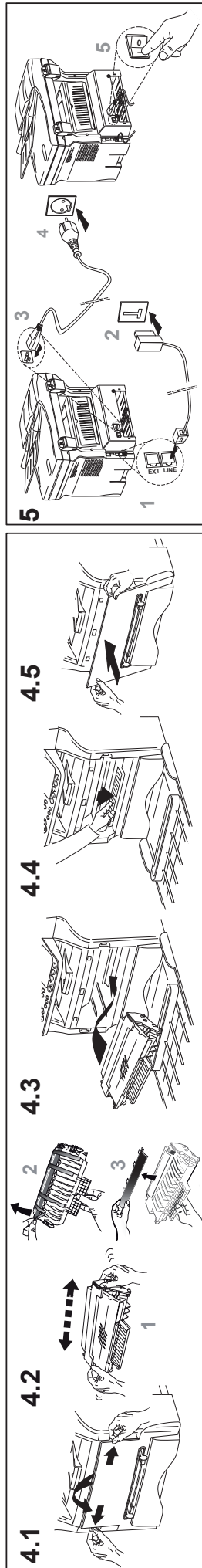
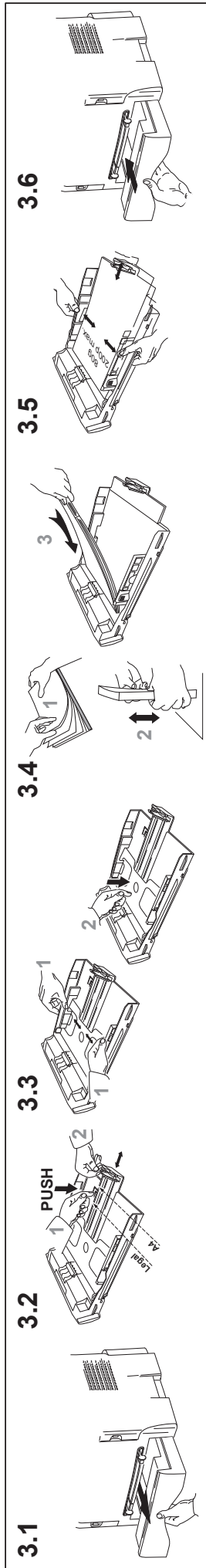
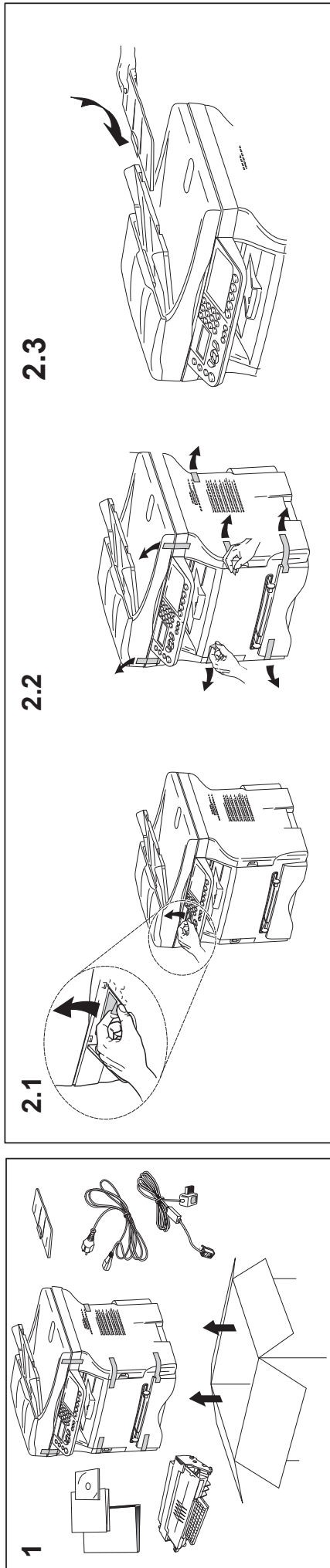
Safety Instructions  
Sicherheitshinweise  
Consignes de sécurité  
Directivas de seguridad  
Direttive di sicurezza  
Instruções de segurança  
Veiligheidsvoorschriften

Sikkerhedsbestemmelser  
Säkerhetsföreskrifter  
Sikkerhetsforskrifter  
Turvaohjeet  
Güvenlik talimatları  
Bezpečnostní pokyny  
Biztonsági utasítások

Dyrektywy bezpieczeństwa  
Οδηγίες για την ασφάλεια  
Инструкциии по  
безопасности  
Instruțiuni de siguranță  
Bezpečnostné pokyny



pagepro 1490MF



English	4
Deutsch	14
Français	25
Español	35
Italiano	45
Português	55
Nederlands	65
Dansk	75
Svenska	85
Norsk	95
Suomi	105
Türkçe	115
Ceština	125
Magyar	135
Polski	145
Ελληνικά	155
Русский	166
Română	177
Slovenčina	187

<b>SAFETY INSTRUCTIONS</b>	<b>5</b>
<b>Dear customer</b>	<b>5</b>
<b>Security</b>	<b>5</b>
<i>Security directives</i>	5
<i>EMC</i>	6
<i>Note to users in the United States of America</i>	6
<i>Declaration of Conformity</i>	6
<i>EMC Compliance for Canada</i>	6
<i>Laser Safety Information</i>	6
<i>For Europe/Asia</i>	7
<i>For North America</i>	7
<i>Regulatory Information</i>	7
<i>Certifications in Europe</i>	7
<i>Positions of Safety labels on the machine</i>	8
<i>Symbols for the main power switch</i>	8
<b>Installation</b>	<b>9</b>
<i>Location conditions</i>	9
<i>Cautions of use</i>	9
<i>Safety information</i>	10
<i>Safety During Operation</i>	10
<i>Rules for use symbols</i>	11
<b>Environment</b>	<b>11</b>
<i>The packaging</i>	11
<i>Batteries and rechargeable batteries</i>	11
<i>The product</i>	11
<b>Software use license</b>	<b>12</b>
<i>Definition</i>	12
<i>License</i>	12
<i>Property</i>	12
<i>Duration</i>	12
<i>Warranty</i>	12
<i>Responsibility</i>	12
<i>Development</i>	12
<i>Applicable law</i>	13
<i>Registered trademarks</i>	13
<i>Prohibited reproductions</i>	13

# SAFETY INSTRUCTIONS

## Dear customer

In buying this multifunction machine, you have opted for a quality product. Your device satisfies all of the different needs of a modern office automation tool.

This machine allows you to scan in colour, to fax, print and copy in black (**pagepro 1490MF**) and white. You can connect the multifunction device to your PC (Microsoft Windows 2000/XP/Vista).

Install the software included to use the multifunction device as a printer. Besides, you can scan, edit and save documents through your PC. If you have a WLAN adaptor (optional) you can communicate with a personal computer wirelessly.

WLAN is an optional working only with a specific adaptor that you can obtain from your retailer.

### **(pagepro 1490MF):**

The multifunction machine lets you connect a USB-DECT base to one of the USB ports of the device and register DECT handsets to this base. You can then make and receive calls with the registered DECT handsets using the multifunction machine telephone line (standard cordless telephone use).

Voice communication is an optional working only with a specific USB DECT dongle that you can obtain from your retailer.

Thanks to its navigator and its multitask access, it is powerful, user-friendly and easy to use.

The MFP Laser multifunction machines come with a 600 dpi scanner and a black and white laser printer offering a printing speed of 20 ppm. The Companion Suite Pro software provided allows you to use your multifunction machine as a scanner and a printer from a personal computer. It also gives you the ability to manage your multifunction machine.

## Security

### ***Security directives***

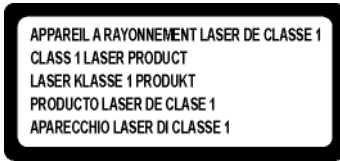
---

Before turning on your device, check that the outlet that you are going to plug it into conforms to the indications shown on the information plate (voltage, current, power network frequency) located on your device. This device shall be connected to a single phase power network. The device shall not be installed on bare ground.

Batteries and rechargeable batteries, packaging and electric and electronic equipment (EEE), shall be thrown away, as specified by the Instructions of the ENVIRONMENT chapter of this manual.

Because of the device model, the power connector is the only way to disconnecting the device from the power network, that is why it is imperative to apply the following safety measures: your device shall be connected to a power outlet located nearby. The outlet shall be easily accessible.

Your device is delivered with a grounded power cord. It is imperative to connect a grounded connector to a grounded outlet connected to the building earthing.



**Repairs-maintenance:** Repairs and maintenance should only be carried out by a qualified technician. No user serviceable parts inside the machine. To reduce the risk of electrical shock, you shall not proceed with these operations yourself, because by opening or removing the lids, you could expose yourself to two hazards:

- The laser beam can cause irreversible eye damage.
- Avoid contact with powered parts because it can lead to electrical shock with unfortunate consequences.

## EMC

### Note to users in the United States of America

This equipment has been tested and found to comply with the limits for a Class B digital device, pursuant to Part 15 of the FCC Rules. These limits are designed to provide reasonable protection against harmful interference in a residential installation.

This equipment generates, uses and can radiate radio frequency energy and, if not installed and used in accordance with the instructions, may cause harmful interference to radio communications. However, there is no guarantee that interference will not occur in a particular installation.

If this equipment does cause harmful interference to radio or television reception, which can be determined by turning the equipment off and on, the user is encouraged to try to correct the interference by one more of the following measures:

1. Reorient or relocate the receiving antenna.
2. Increase the separation between the equipment and receiver.
3. Connect the equipment into an outlet on a circuit different from that to which the receiver is connected.
4. Consult the dealer or an experienced radio / TV technician for help.

### Declaration of Conformity

This device complies with Part 15 of the FCC Rules. Operation is subject to the following two conditions:

1. This device may not cause harmful interference, and
2. this device must accept any interference received, including interference that may cause undesired operation.

### EME Compliance for Canada

This Class "B" digital apparatus complies with Canadian ICES-003.

Cet appareil numérique de la classe "B" est conforme à la norme NMB-003 du Canada.

### Laser Safety Information

**CAUTION:** Use of controls, adjustments, or performance of procedures other than those specified in this guide may result in hazardous light exposure.

This equipment complies with international safety standards and is classified as a Class 1 Laser Product.

With specific reference to lasers, the equipment complies with laser product performance standards set by governmental, national, and international agencies as a Class 1 Laser Product. It does not emit hazardous light, as the beam is totally enclosed during all phases of customer operation and maintenance.

## For Europe/Asia

---

This machine complies with IEC 60825-1:1993+A1:1997+A2:2001 standard, is classified as laser class 1 product and is safe for office/EDP use. It contains one class 3B laser diode, 10.72 mW max, 770-795 nm and other class 1 LEDs (280  $\mu$ W at 639 nm).

Direct (or indirect reflected ) eye contact with the laser beam might cause serious eye damage. Safety precautions and interlock mechanisms have been designed to prevent any possible laser beam exposure to the operator.

## For North America

---

CDRH Regulations.

This equipment complies with the FDA performance standards for laser products except for deviations pursuant to Laser Notice No.50, dated 24 June 2007 and contains 1 class 3B laser diode, 10.72 milliwatt, 770-795 nanometer wavelength and other class 1 LEDs (280  $\mu$ W at 639 nm).

This equipment does not emit hazardous light, since the beam is totally enclosed during all customer modes of operation and maintenance.

## Regulatory Information

---

### Certifications in Europe

---

**CE** The CE mark applied to this product, symbolizes declaration of conformity with the following applicable European Union Directives, as of the dates indicated:

**December 12,2006:** Council Directive 2006/95/EC as amended. Approximation of the laws of the member states related to low voltage equipment.

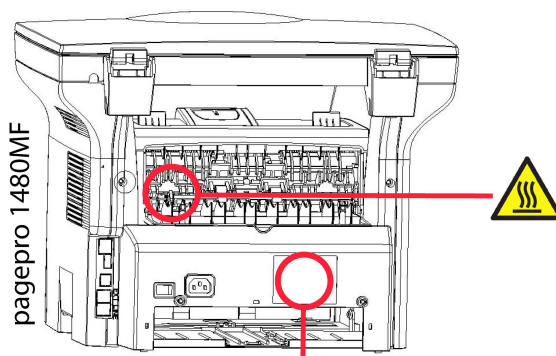
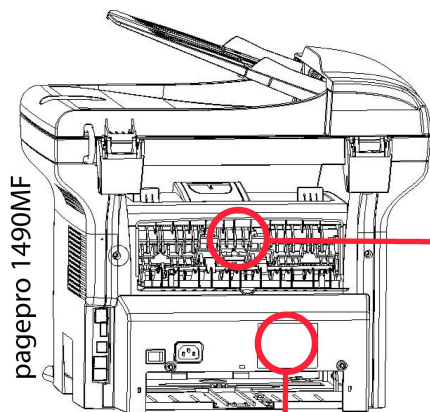
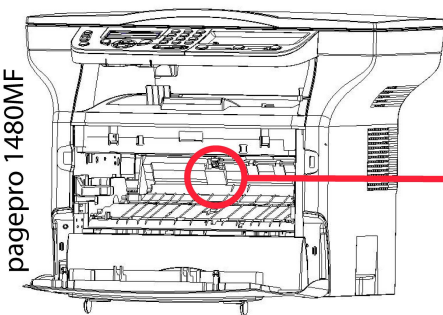
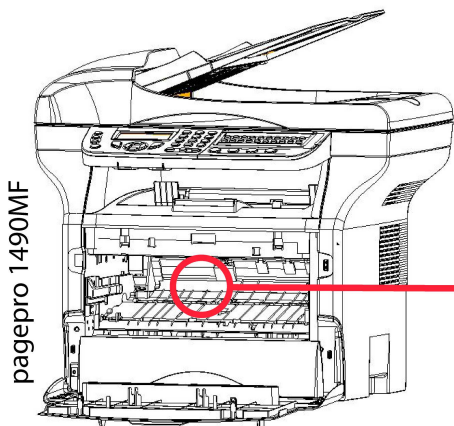
**December 15, 2004:** Council Directive 2004/108/EC as amended. Approximation of the laws of the member states related to electromagnetic compatibility.

**March 9, 1999:** Council Directive 99/5/EC, on radio equipment and telecommunications terminal equipment and the mutual recognition of the conformity.



## Positions of Safety labels on the machine

The device has warning labels at the positions shown below. For your safety, you must never touch these surfaces when you remove a paper jam or when you replace the Toner cartridge.



APPAREIL A RAYONNEMENT LASER DE CLASSE 1  
 CLASS 1 LASER PRODUCT  
 LASER KLASSE 1 PRODUKT  
 PRODUCTO LASER DE CLASE 1  
 APARECCHIO LASER DI CLASSE 1

<b>CAUTION</b>	Hot surface avoid contact
<b>ATTENTION</b>	Surface chaude Évitez tout contact
<b>ACHTUNG</b>	Heiße Oberfläche Kontakt vermeiden
<b>ATTENZIONE</b>	Superficie calda Evitare il contatto
<b>PRECAUCIÓN</b>	No tocar. Zona muy caliente.
<b>VOORZICHTIG</b>	Heet oppervlak vermijd contact
<b>FÖRSIKTIGT</b>	Het yta. Rör ej.
<b>FORSIGTIG</b>	Varm overflade, undgå berøring
<b>FORSIKTIG</b>	Varm overflade, unngå kontakt
<b>OSTRZEŻENIE</b>	Gorąca powierzchnia nie dotykac
<b>CUIDADO</b>	Superficie quente Evitar contacto
<b>POZOR</b>	Horký povrch nedotýkat se
<b>FIGYELEM</b>	Ne érintse meg a forró felületeket!
<b>TÄRKEÄÄ</b>	Kuuma pinta älä koske.
<b>ОСТОРОЖНО</b>	Горячая поверхность Избегайте контакта
<b>注意</b>	表面高温、请勿接触。
<b>注意</b>	表面高温請勿碰觸
<b>고온주의</b>	표면이 뜨거우므로 만지지 않도록 주의하십시오.
<b>注意</b>	表面が熱くなっていますので触らないでください。

## Symbols for the main power switch

In accordance with IEC 60417, this machine uses the following symbols for the main power switch:

- means POWER ON.
- means POWER OFF.

# Installation

## Location conditions

---

By choosing an appropriate location, you preserve the longevity of the machine. Check that the selected location has the following characteristics:

- Choose a well ventilated location.
- Make sure not to obstruct the ventilation grids located on the left and right sides of the device. During the installation, make sure to place the machine thirty centimeters away from the surrounding objects so all the lids can be easily opened.
- Make sure that this location does not present any ammonia nor any other organic gasses emission hazard.
- The ground outlet (refer to the security notices presented in the **Security** chapter) to which you plan to connect the machine must be located close to this one and have an easy access.
- **Make sure that the machine is not directly exposed to sun light.**
- Make sure not to place the machine in an area exposed to an air flow generated by an air conditioning, heating or ventilation system, nor in an area subject to large temperature or humidity variations.
- Choose a solid and horizontal surface on which the machine will not be exposed to intense vibrations.
- **Keep the machine away from any object that could obstruct its ventilation ports.**
- Do not place the machine close to hangings or any other flammable objects.
- Choose a location where splashes of the water and other liquids are limited.
- Make sure that this location is dry, clean and dust free.

## Cautions of use

---

Take into account the important precautions below when using the machine.

### Running environment:

- Temperature: 10 °C to 27 °C [50 °F to 80.6 °F] with an ambient humidity included between 15 to 80% (up to 32°C [89.6 °F] with an ambient humidity included between 15 to 54%).

### Terminal:

The section below describes the precautions to be taken when using the machine:

- Never turn the machine off and never open the lids while printing.
- Never use gas or flammable liquids, or objects generating magnetic field close to the machine.
- When you unplug the power cord, always hold the connector without pulling the cord. A damaged cord presents a potential fire hazard or an electric shock hazard.
- Never touch the power cord with wet hands. You risk getting an electric shock.
- Always unplug the power cord before moving the machine. Otherwise, you could risk having the cord damaged and create a fire hazard or an electric shock hazard.
- Always unplug the power cord when you plan not to use the machine for a long period of time.
- Never put objects on the power cord, never pull it and never fold it. This could cause a fire hazard or an electric shock hazard.
- Always make sure that the machine is not sitting on the power cord or any other electric device communication cables. Make sure also that neither cord nor cable is introduced to the machine inner mechanism. This would expose you to a machine malfunction risk or to a fire hazard.
- Make sure that the printer is unplugged from the power outlet before connecting or disconnecting an interface cable to the printer (use a shielded interface cable).
- Never try to remove any fixed pane or hood. The machine contains high voltage circuits. Any contact with these circuits can cause an electric shock risk.
- Never try to modify the machine. This could cause a fire hazard or an electric shock hazard.
- Always make sure that paper clips, staples or other small metallic items do not get inside the machine via the ventilation ports or other ports. Such items create fire hazards or electric shock hazards.
- Prevent water and any other liquid from spilling on the machine or near to it. Any contact of the machine with water

- or liquid can cause a fire hazard or an electric shock hazard.
- If liquid or metallic item gets accidentally inside the machine, turn it off immediately, unplug the power cord and contact your retailer. Otherwise, you will face a fire hazard or an electric shock hazard.
- In case of heat, smoke, unusual smell or abnormal noise emissions, turn the machine off, unplug the power cord immediately and contact your retailer. Otherwise, you will face a fire hazard or an electric shock hazard.
- Avoid using the machine during an "electric storm", this can cause an electric shock hazard due to lightning.
- Never move the terminal during printing.
- Always lift the terminal when you wish to move it.





Make sure to place the machine in well ventilated premises. When in operation, the printer generates a small amount of ozone. An unpleasant smell can come from the printer if it is used intensively in poorly ventilated premises. For a secure use, make sure you place the machine in well ventilated premises.

## Safety information

When using your product, the following safety precautions should always be followed.

### Safety During Operation

In this information slip, the following symbols are used:

 <b>WARNING:</b>	<b>Indicates a potentially hazardous situation which, if instructions are not followed, could result in death or serious injury.</b>
 <b>CAUTION:</b>	Indicates a potentially hazardous situation which, if instructions are not followed, may result in minor or moderate injury or damage to property.

#### **WARNING**

- Connect the power cord directly into a wall outlet and never use an extension cord.
- Disconnect the power plug (by pulling the plug, not the cable) if the power cable or plug becomes frayed or otherwise damaged.
- To avoid hazardous electric shock or laser radiation exposure, do not remove any covers or screws other than those specified in the Operating instructions.
- Turn off the power and disconnect the power plug (by pulling the plug, not the cable) if any of the following conditions exists:
  - You spill something into the product.
  - You suspect that your product needs service or repair.
  - Your product's cover has been damaged.
- Do not incinerate spilled toner or used toner. Toner dust might ignite when exposed to an open flame.
- Disposal can take place at our authorised dealer or at appropriate collection sites.
- Dispose of the used toner cartridge (or bottle) in accordance with the local regulation.

#### **CAUTION**

- Protect the product from dampness or wet weather, such as rain, snow, and so on.
- Unplug the power cord from the wall outlet before you move the product. While moving the product, you should take care that the power cord will not be damaged under the product.
- When you disconnect the power plug from the wall outlet, always pull the plug (not the cable).
- Do not allow paper clips, staples, or other small metallic objects to fall inside the product.
- Keep toner (used or unused), toner cartridge (or bottle), ink (used or unused) or ink cartridge out of reach of children.

- Be careful not to cut yourself on any sharp edges when you reach inside the product to remove misfed sheets of paper or masters.
- For environmental reasons, do not dispose of the product or expended supply wastes at household waste collection point. Disposal can take place at our authorised dealer or at appropriate collection sites.
- Our products are engineered to meet the high standards of quality and functionality, and we recommend that you only use the expendable supplies available at an authorised dealer.

## Rules for use symbols

---

### **WARNING**

Indicates important safety notes.

Ignoring these notes could result in serious injury or death. Be sure to read these notes. They can be found in the Safety information section of this manual.

### **CAUTION**

Indicates important safety notes.

Ignoring these notes could result in moderate or minor injury, or damage to the machine or to property. Be sure to read these notes. They can be found in the Safety information section of this manual.

# Environment

The preservation of the environment is of importance to the manufacturer. The manufacturer wishes to service the installations with respect to the environment and has chosen to integrate the environmental performance in the whole lifecycle of its products, throughout manufacturing, release, use and disposal.

## The packaging

---



The (green point) logo indicates that a contribution is given to an approved national organization to improve the packaging salvage and recycling infrastructures.

To make recycling easier, follow local rules and regulations concerning sorting and disposal of such waste.

## Batteries and rechargeable batteries

---

If your product contains batteries or rechargeable batteries, these shall be disposed of at the designated collecting centers.

## The product

---



The crossed bin symbol on the product indicates that it belongs to the electric and electronic equipment family.

Therefore, according to European regulations you are requested to dispose of it at the selected collection areas:

- to distribution centers in case of equivalent equipment purchase,
- to the available local collecting centers (dump, selective collection, etc.).

In doing so, you will participate in the "Waste of Electric and Electronic Equipment reuse and development scheme" which will help prevent potential effects on the environment and human health.

# Software use license

CAREFULLY READ ALL THE TERMS AND CONDITIONS OF THE PRESENT LICENSE BEFORE OPENING THE SEALED ENVELOPE CONTAINING THE SOFTWARE. OPENING THIS ENVELOPE INDICATES THAT YOU ACCEPT THESE TERMS AND CONDITIONS.

In case you should not accept the terms of this license, the DVD-ROM packaging should be returned to the retailer unopened, along with the other components of the product. The purchase price of this product will be refunded. No refunds will be made for products if the DVD-ROM packaging have been opened, if components are missing or if the reimbursement request is made after ten (10) days from the purchase date, your receipt is the proof of purchase.

## Definition

---

The Software designates programs and associated documentation.

## License

---

- This license allows you to use this Software on personal computers on a local network. You only have permission to use this Software to print on one multifunction machine; you can not lend the Software or authorize anyone to use it.
- You are allowed to make a back up copy.
- This license is non-exclusive and non-transferable.

## Property

---

The manufacturer or its providers hold the Software property right. You only become the owner of the DVD-ROM. You shall not modify, adapt, decompile, translate, create any derived piece, rent or sell the Software or the documentation. Any rights not explicitly approved are reserved by the manufacturer or its providers.

## Duration

---

This license remains valid until cancelled. You can cancel it by destroying the program and the documentation as well as any other copies of them. This license will automatically be canceled in case you do not respect the terms of this license. If the license is rendered invalid, you agree to destroy all copies of the program and the associate documentation.

## Warranty

---

The Software is provided "as is" with no warranties what so ever, whether expressed or implied, including without limitation, any warranties of merchantability or fitness for a particular purpose; all the risks concerning the results and performance of this Software are assumed by the buyer. In case the program should appear defective, all the repair and service expenses will be covered by the buyer.

Nevertheless, the license holder benefits from the following warranty: we guarantee that the DVD-ROM on which the Software is recorded is free from hardware or manufacturing faults if used in normal conditions, the guarantee is valid for ninety (90) days from the delivery date, the copy of the receipt being the proof of purchase. In case of a DVD-ROM fault that due to accident or misuse, the DVD-ROM will not be replaced as per the warranty.

## Responsibility

---

If the DVD-ROM is not working properly, send it to the retailer together with a copy of the receipt. It is the retailer's sole responsibility to replace the DVD-ROM. Nobody, not even the manufacturer who is involved in the creation, realization, merchantability and delivery of this program would be responsible for direct, indirect or immaterial damages, such as, but not limited to, loss of information, loss of time, execution loss, loss of revenue, loss of customers, due to the use or inability to use the program.

## Development

---

With a constant concern for improvement, the manufacturer reserves the right to modify the Software specifications without any notice. In case of modification, your user right does not give you access to free updates.

## **Applicable law**

---

This license is under the French law. Any dispute following the interpretation or execution of this license will be submitted to the Paris Court.

Given the continuous technology development, the manufacturer reserves the right to modify the technical specifications indicated for this product, at any time, without prior notice, and/or to stop manufacturing of the product.

All the names of the products and brands that could be trademarks registered by their respective owners are recognized in the present document.

## **Registered trademarks**

---

Given the technical evolution, the manufacturer reserves the right to modify the technical specifications of this product and/or to stop its manufacturing at any time and without notice. Companion Suite Pro is a registered trademark of Sagem Communications.

Adobe® and the Adobe® products referred to here are registered trademarks of Adobe Systems Incorporated. PaperPort11SE is a registered trademark of ScanSoft.

Microsoft® Windows 2000®, Microsoft® Windows Server 2003®, Microsoft® Windows XP®, Microsoft® Windows Vista® and any other Microsoft® product referred to here are registered trademarks of Microsoft Corporation registered and/or used in the United States and/or in other countries.

All the other brands or products referred to as examples or in order to give additional information are registered trademarks of their respective owners.

The informations contents of this manual are subject to change without notice.

## **Prohibited reproductions**

---

Do not copy or print any item for which reproduction is prohibited by law.

Copying or printing the following items is generally prohibited by local law:

- bank notes;
- checks;
- bonds;
- stock certificates;
- bank drafts;
- passports;
- driver's licenses.

The preceding list is meant as a guide only and is not inclusive. If you have any questions concerning the legality of copying or printing certain items, consult with your legal advisor.

<b>SEHR GEEHRTER KUNDE</b>	<b>15</b>
<b>Sicherheit</b>	<b>15</b>
<i>Sicherheitshinweise</i>	15
<i>EMV (EMC, Electromagnetic Compatibility)</i>	16
<i>Hinweis für Benutzer in den USA</i>	16
<i>Konformitätserklärung</i>	16
<i>EME-Konformität (Kanada)</i>	16
<i>Sicherheitsinformationen zur Lasereinheit</i>	16
<i>Europa/Asien</i>	17
<i>Nordamerika</i>	17
<i>Informationen zu Regulierungen</i>	17
<i>Zertifizierungen in Europa</i>	17
<i>Positionen der Sicherheitsetiketten am Gerät</i>	18
<i>Symbole des Ein/Ausschalters</i>	18
<b>Installation</b>	<b>19</b>
<i>Standortbedingungen</i>	19
<i>Vorsichtsmaßnahmen</i>	19
<i>Informationen zur Sicherheit</i>	20
<i>Sicherheit im laufenden Betrieb</i>	20
<i>Spannungsversorgung</i>	21
<i>Richtlinien für die Verwendung von Symbolen</i>	21
<b>Umwelt</b>	<b>22</b>
<i>Verpackung</i>	22
<i>Batterien und Akkus</i>	22
<i>Das Produkt</i>	22
<b>Softwarelizenzvereinbarung</b>	<b>22</b>
<i>Definition</i>	22
<i>Lizenz</i>	23
<i>Eigentumsrecht</i>	23
<i>Dauer</i>	23
<i>Gewährleistung</i>	23
<i>Verantwortlichkeit</i>	23
<i>Entwicklung</i>	23
<i>Zuständige Gesetzgebung</i>	23
<i>Eingetragene Marken</i>	24
<i>Unzulässige Reproduktionen</i>	24

# SICHERHEITSHINWEISE

## Sehr geehrter Kunde

Mit dem Kauf dieses Multifunktionsgerätes haben Sie sich für ein Qualitätserzeugnis. Ihr Gerät erfüllt alle der vielfältigen Anforderungen eines modernen Bürogerätes.

Dieses Gerät unterstützt das Scannen farbiger Vorlagen sowie das Faxen, Drucken und Kopieren in Schwarzweiß (**pagepro 1490MF**). Sie können das Multifunktionsgerät an Ihren Computer anschließen (als Betriebssysteme werden Microsoft Windows 2000, Windows XP und Windows Vista unterstützt).

Installieren Sie die Software im Lieferumfang des Multifunktionsgeräts, um es als Drucker zu verwenden. Darüber hinaus können Sie über Ihren Computer Dokumente einscannen, bearbeiten und speichern. Wenn Sie das Gerät mit einer optional erhältlichen WLAN-Karte bestücken, können Sie die Verbindung zu dem Computer auch ohne Verkabelung herstellen.

Für die WLAN-Unterstützung muss eine besondere WLAN-Karte verwendet werden, die Sie bei Ihrem Händler erwerben können.

### **pagepro 1490MF:**

Das Multifunktionsgerät unterstützt den Anschluss einer USB-DECT-Basisstation. Nach dem Anschluss eines solchen Geräts an einem der USB-Anschlüsse können Sie für die Basisstation DECT-Mobilteile registrieren. Anschließend können über die registrierten DECT-Mobilteile Anrufe getätigt und empfangen werden, wobei die Leitung des Multifunktionsgeräts verwendet wird (Verwendung als Standardmobilteil).

Für den Betrieb als Telefon (Sprachdatenübertragung) muss ein besonderer USB DECT-Dongle verwendet werden, den Sie bei Ihrem Händler erwerben können.

Mit seiner intuitiv zu bedienenden Navigatoroberfläche und der simultanen Unterstützung für verschiedene Aufgaben bietet das Gerät eine große Funktionsvielfalt, die komfortabel genutzt werden kann.

Die Multifunktionsgeräte der Baureihe MFP Laser sind mit einem 600 dpi-Scanner und einem Schwarzweiß-Laserdrucker ausgerüstet, der eine Druckgeschwindigkeit von 20 ppm besitzt. Die im Lieferumfang des Geräts enthaltene Software Companion Suite Pro ermöglicht, das Multifunktionsgerät von einem Computer aus als Scanner bzw. Drucker zu nutzen. Über die Software können Sie darüber hinaus das Multifunktionsgerät verwalten.

## Sicherheit

### **Sicherheitshinweise**

---

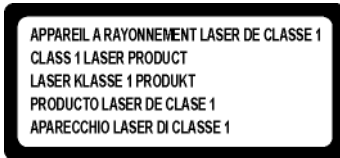
Bevor Sie Ihr Gerät anschließen, vergewissern Sie sich, dass das Anschlusskabel, mit dem Sie es anschließen, den Angaben auf dem Typschild entspricht (Spannung, Strom, Frequenz des Stromnetzes), das am Gerät angebracht ist. Dieses Gerät muss an ein einphasiges Stromnetz angeschlossen werden. Es darf nicht auf dem Fußboden betrieben werden.

Die Batterien bzw. Akkus, Verpackungen und das elektrische und elektronische Zubehör müssen entsprechend den Anweisungen im Kapitel „Umwelt“ der vorliegenden Bedienungsanleitung entsorgt werden.

Je nach Gerätemodell kann der Stecker des Geräts die einzige Möglichkeit sein, es vom Stromnetz zu trennen. Aus diesem Grund ist es unbedingt erforderlich, die folgenden Sicherheitshinweise zu beachten: Die Wandsteckdose, an der das Gerät angeschlossen wird, muss sich in unmittelbarer Nähe des Gerätes befinden. Sie muss jederzeit ungehindert zugänglich sein.

Ihr Gerät wird mit einem Netzkabel mit Schutzkontaktstecker geliefert. Ein Schutzkontaktstecker muss unbedingt an eine Schutzkontaktsteckdose angeschlossen werden, die mit der Schutzerdung des Gebäudes verbunden ist.





**Reparatur - Wartung:** Lassen Sie alle anfallenden Reparatur- und Wartungsarbeiten von einem qualifizierten Techniker ausführen. Keines der Bauteile im Inneren des Geräts kann vom Benutzer repariert werden. Um die Gefahr des elektrischen Schlages zu vermeiden, dürfen Sie nicht versuchen, selbst diese Arbeiten auszuführen, denn durch das Öffnen oder das Entfernen der Abdeckungen würden Sie sich einer doppelten Gefahr aussetzen:

- Laserstrahlen können in das menschliche Auge eindringen und unheilbare Schäden bewirken.
- Der Kontakt mit Strom führenden Teilen kann einen Stromschlag bewirken, dessen Folgen äußerst schwerwiegend sein können.

## EMV (EMC, Electromagnetic Compatibility)

### Hinweis für Benutzer in den USA

Dieses Gerät wurde eingehend getestet und hält die für ein digitales Gerät der Klasse B geltenden Grenzwerte in Abschnitt 15 der FCC-Bestimmungen ein. Diese Grenzwerte sollen in Wohngebieten einen angemessenen Schutz vor Störungen gewährleisten.

Dieses Gerät erzeugt und verwendet hochfrequente Schwingungen und kann sie ausstrahlen. Wenn es nicht gemäß den Anweisungen installiert und betrieben wird, können Störungen im Radio- und Fernsehempfang auftreten. Bei bestimmten Installationen ist das Auftreten von Störungen jedoch nicht auszuschließen.

Wenn das Gerät Störungen im Rundfunk- und Fernsehempfang verursacht, was sich durch Aus- und Einschalten feststellen lässt, sollten Sie versuchen, die Empfangsstörungen durch eine oder mehrere der folgenden Maßnahmen zu beheben:

1. Ändern Sie die Ausrichtung oder den Standort der Empfangsantenne.
2. Vergrößern Sie den Abstand zwischen Gerät und Empfänger.
3. Schließen Sie das Gerät an eine andere Steckdose an, damit Gerät und Empfänger mit verschiedenen Stromkreisen verbunden sind.
4. Wenden Sie sich an Ihren Händler vor Ort oder an einen erfahrenen Radio-/Fernsehtechniker.

### Konformitätserklärung

Dieses Gerät ist mit Artikel 15 der FCC-Bestimmungen konform. Der Betrieb unterliegt den beiden folgenden Voraussetzungen:

1. Dieses Gerät verursacht keine gesundheitsschädlichen Interferenzen;
2. dieses Gerät muss sämtliche empfangenen Interferenzen entgegennehmen, selbst diejenigen Interferenzen, die unter Umständen zu einem unerwünschten Betriebsverhalten führen.

### EME-Konformität (Kanada)

Dieses digitale Gerät der Klasse "B" entspricht der kanadischen Richtlinie ICES-003.

Cet appareil numérique de la classe "B" est conforme à la norme NMB-003 du Canada.

### Sicherheitsinformationen zur Lasereinheit

**VORSICHT:** Die Verwendung von Reglern, speziellen Einstellungen oder Verfahren, die von den in diesem Handbuch angegebenen Verwendungsweisen abweicht, werden möglicherweise gefährliche Lichtstrahlen emittiert.

Dieses Gerät entspricht internationalen Sicherheitsstandards und ist als Laserprodukt der Klasse 1 klassifiziert.

Das Gerät entspricht hinsichtlich der enthaltenen Lasertechnologie den Betriebsstandards von Laserprodukten, die von der Regierung bzw. nationalen oder internationalen Instanzen als Laserprodukt der Klasse 1 klassifiziert ist. Es werden keine gefährlichen Lichtstrahlen frei, da der Laserstrahl in allen Phasen des Betriebs durch den Benutzer und während der gesamten Wartungsdauer vollständig umschlossen ist.

## Europa/Asien

---

Dieses Gerät entspricht der Norm IEC 60825-1:1993+A1:1997+A2:200 und ist als Lasergerät der Klasse 1 für den sicheren Betrieb in Büros/zur elektronischen Datenverarbeitung klassifiziert. Es enthält eine Laserdiode der Klasse 3B mit maximal 10,72 mW und 770-795 nm Wellenlänge sowie andere LEDs der Klasse 1 (280 µW bei 639 nm).

Direkter (oder indirekter reflektierter) Sichtkontakt mit dem Laserstrahl kann zu ernststen Augenverletzungen führen. Durch Sicherheitsvorkehrungen und Sperrmechanismen wird verhindert, dass der Bediener dem Laserstrahl ausgesetzt wird.

## Nordamerika

---

CDRH-Vorschriften.

Dieses Gerät entspricht den Leistungsnormen der FDA für Laserprodukte, außer für Abweichungen gemäß der Lasernotiz Nr.50 vom 24. Juni 2007, und enthält eine Laserdiode der Klasse 3B mit 10,72 mW und 770-795 nm Wellenlänge sowie andere LEDs der Klasse 1 (280 µW bei 639 nm).

Dieses Gerät gibt keine gefährlichen Strahlen frei, da der Laserstrahl bei sämtlichen Bedienungs- und Wartungsvorgängen durch den Kunden vollständig abgeschirmt ist.

## Informationen zu Regulierungen

---

Maschinenläminformations - Verordnung - 3.GPSGV. Der höchste Schalldruckpegel beträgt 70 dB(A) oder weniger, gemäß EN ISO 7779.

## Zertifizierungen in Europa

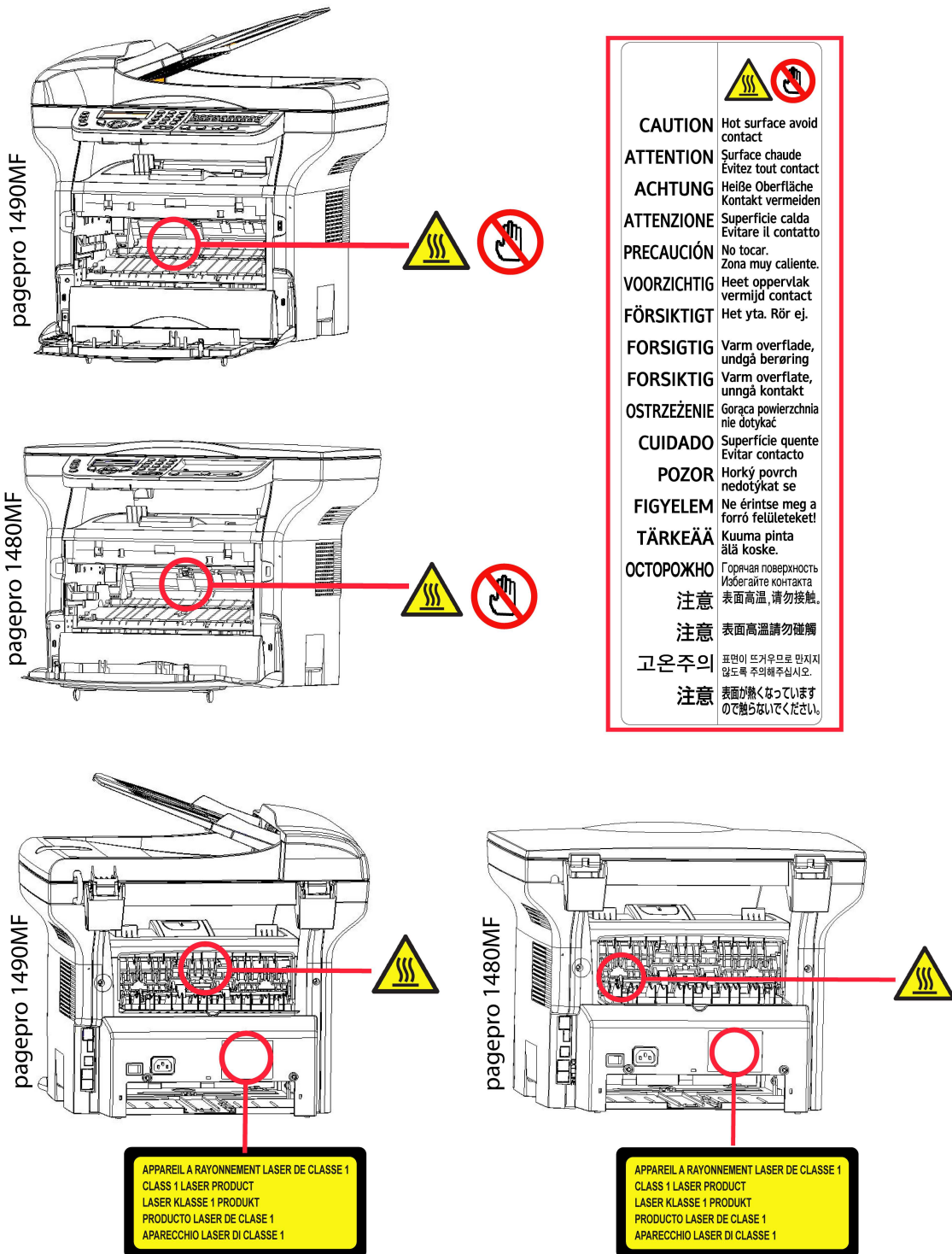
---

**CE** Die auf diesem Produkt angebrachte CE-Kennzeichnung steht für die herausgegebene Konformitätserklärung einschließlich der folgenden für die Europäische Union geltenden Direktiven (siehe Datumsangaben):

- 12. Dezember 2006:** Richtlinie des Rates 2006/95/EC in der geänderten Fassung. Angleichung der Rechtsvorschriften der Mitgliedsstaaten, bezogen auf Schwachstromgeräte.
- 15. Dezember 2004:** Richtlinie des Rates 2004/108/EC in der geänderten Fassung. Angleichung der Rechtsvorschriften der Mitgliedsstaaten, bezogen auf elektromagnetische Konformität.
- 9. März 1999:** Richtlinie des Rates 99/5/EC zu Funkausrüstung und Telekommunikationsendgeräten sowie gegenseitige Anerkennung der Konformität.



## Positionen der Sicherheitsetiketten am Gerät

Als Sicherheitsmaßnahme sind Warnhinweise am Gerät an den nachstehend bezeichneten Stellen angebracht. Zu Ihrer Sicherheit sollten Sie vermeiden, diese Flächen zu berühren, wenn Sie einen Papierstau beseitigen oder die Tonerkartusche ersetzen.



## Symbole des Ein/Ausschalters

Gemäß der Norm IEC 60417 verwendet das Gerät folgende Symbole am Hauptschalter:

-  bedeutet EIN;
-  bedeutet AUS.

# Installation

## Standortbedingungen

Mit der Wahl eines angemessenen Standorts garantieren Sie eine lange Lebensdauer Ihres Gerätes. Vergewissern Sie sich, dass der ausgewählte Standort über folgende Merkmale verfügt:

- Wählen Sie einen gut belüfteten Standort.
- Achten Sie darauf, dass die Luftschlitze auf der linken und rechten Seite des Gerätes nicht verschlossen werden. Stellen Sie während der Installation sicher, dass dieses Gerät in einer Entfernung von etwa dreißig Zentimetern von anderen Objekten aufgestellt wird, um das Öffnen der verschiedenen Abdeckungen zu ermöglichen.
- Vergewissern Sie sich, dass diese Position zu keinem Risiko durch Emissionen von Ammoniak oder anderen organischen Gasen führt.
- Die Schutzkontaktsteckdose, an der das Gerät angeschlossen werden soll (lesen Sie die Sicherheitshinweise in Kapitel **Sicherheit**), sollte sich in unmittelbarer Nähe befinden und leicht zugänglich sein.
- **Vergewissern Sie sich, dass das Gerät nicht direkter Sonneneinstrahlung ausgesetzt ist.**
- Achten Sie darauf, das Terminal weder an einem Ort aufzustellen, an dem es Luftströmungen von Klimaanlage, Heizung oder Ventilation ausgesetzt ist, noch an Orten, an denen hohe Temperatur- oder Feuchtigkeitsschwankungen herrschen.
- Wählen Sie eine feste und waagerechte Oberfläche, auf der das Terminal keinen starken Erschütterungen ausgesetzt ist. Installieren Sie das Gerät nicht direkt auf dem Boden.
- **Halten Sie das Terminal von allen Objekten fern, die seine Belüftungsschlitze verdecken könnten.**
- Stellen Sie das Gerät nicht in der Nähe von Gardinen oder anderen brennbaren Gegenständen auf.
- Wählen Sie einen Ort, an dem keine Gefahr von Kontakt mit Wasser oder anderen Flüssigkeiten ausgeht.
- Vergewissern Sie sich, dass der Standort trocken, sauber und staubfrei ist.

## Vorsichtsmaßnahmen

Beachten Sie bei der Verwendung des Gerätes die unten aufgeführten Sicherheitshinweise.

### Betriebsumgebung:

- Temperatur: 10°C bis 27°C [50 °F bis 80.6 °F] mit einer Außenfeuchtigkeit zwischen 15 und 80% (bis 32°C [89.6 °F] mit einer Außenfeuchtigkeit zwischen 15 und 54%).

### Endgerät:

Der folgende Abschnitt beschreibt die bei der Installation und der Verwendung des Gerätes zu beachtenden Sicherheitsvorkehrungen:

- Trennen Sie das Gerät niemals während des Druckens vom Stromnetz und öffnen Sie dabei nie eine der Abdeckungen.
- Verwenden Sie niemals Gas oder entflammbare Flüssigkeiten sowie Gegenstände, die ein magnetisches Feld erzeugen, in der Nähe des Gerätes.
- Wenn Sie das Netzkabel herausziehen, fassen Sie immer den Stecker an, um ein Ziehen am Kabel selbst zu vermeiden. Ein beschädigtes Netzkabel stellt eine potenzielle Quelle für Brand oder Stromschläge dar.
- Berühren Sie niemals das Netzkabel mit feuchten Händen. Sie riskieren einen Stromschlag.
- Ziehen Sie immer das Netzkabel heraus, bevor Sie das Gerät umstellen. Sie riskieren andernfalls eine Beschädigung des Kabels, Feuer oder einen Stromschlag.
- Ziehen Sie immer das Netzkabel heraus, wenn Sie beabsichtigen, das Gerät für einen längeren Zeitraum nicht zu verwenden.
- Stellen Sie niemals Gegenstände auf das Netzkabel. Ziehen bzw. biegen Sie das Kabel nicht. Dies könnte die Gefahr von Feuer und Stromschlag bergen.
- Achten Sie stets darauf, dass das Gerät nicht auf einem Netzkabel oder den Verbindungskabeln eines anderen elektrischen Gerätes steht. Achten Sie außerdem darauf, dass weder Kabel noch Schnüre in den Mechanismus des Gerätes gelangen. Das könnte eine Fehlfunktion des Gerätes oder Brandgefahr bedeuten.
- Vergewissern Sie sich, dass der Strom ausgeschaltet ist, bevor Sie ein Schnittstellenkabel an den Drucker anschließen oder es herausziehen. Verwenden Sie ein abgeschirmtes Schnittstellenkabel.)

- Versuchen Sie niemals, einen befestigten Deckel oder eine Tafel abzunehmen. Das Gerät verfügt über Starkstromkreise. Jeder Kontakt mit diesen Stromkreisen birgt die Gefahr eines Stromschlags.
- Versuchen Sie niemals, Änderungen an dem Gerät vorzunehmen. Dies könnte die Gefahr von Feuer und Stromschlag bergen.
- Achten Sie darauf, dass keine Büroklammern, Heftklammern oder andere kleine Metallstücke durch die Belüftungsschlitze oder andere Öffnungen in das Terminal gelangen. Solche Gegenstände verursachen die Gefahr von Feuer oder Stromschlägen.
- Vermeiden Sie, dass Wasser oder andere Flüssigkeiten auf dem Gerät oder in seiner Nähe vergossen werden. Jeder Kontakt des Gerätes mit Wasser oder Flüssigkeiten kann Feuer oder einen Stromschlag verursachen.
- Wenn eine Flüssigkeit oder ein Metallteil zufällig in das Terminal gelangen, schalten Sie sofort den Strom aus, ziehen Sie den Stecker heraus und wenden Sie sich an Ihren Vertragshändler. Andernfalls gehen Sie das Risiko eines Brandes oder eines Stromschlags ein.
- Im Falle von Absonderungen von Wärme, Rauch, ungewöhnlichem Geruch oder ungewöhnlichen Geräuschen schalten Sie das Gerät sofort aus, und trennen Sie es vom Netz. Wenden Sie sich an Ihren Vertragshändler. Andernfalls gehen Sie das Risiko eines Brandes oder eines Stromschlags ein.
- Vermeiden Sie die Verwendung des Gerätes während eines Gewitters. Es besteht das Risiko eines durch Blitz verursachten Stromschlags.
- Versetzen Sie das Gerät nicht während des Druckvorgangs.
- Heben Sie das Terminal an, wenn Sie es versetzen möchten.



Achten Sie darauf, dass das Terminal in einem gut belüfteten Raum aufgestellt wird. Beim Gebrauch des Druckers wird tatsächlich eine geringe Menge an Ozon freigesetzt. Ein unangenehmer Geruch kann von dem Drucker ausgehen, wenn dieser intensiv in einem schlecht belüfteten Raum betrieben wird. Zum sicheren Betrieb stellen Sie das Terminal an einem gut belüfteten Ort auf.

## Informationen zur Sicherheit

Bei der Verwendung des Produktes sollten stets die folgenden Sicherheitsvorkehrungen befolgt werden.

### Sicherheit im laufenden Betrieb

In diesem Informationsauszug werden die folgenden Symbole verwendet:

<b>ACHTUNG:</b>	<b>Weist auf eine potenzielle Gefahrensituation hin, die bei Nichtbeachtung von Sicherheitshinweisen zum Tod bzw. schwerwiegenden Verletzungen oder Gesundheitsschäden führen kann.</b>
<b>VORSICHT:</b>	Weist auf eine potenzielle Gefahrensituation hin, die bei Nichtbeachtung von Sicherheitshinweisen zu weniger schwerwiegenden Verletzungen oder Gesundheitsschäden bzw. zu Schäden am Gerät oder der Umgebung führen kann..



### **ACHTUNG**

- Schließen Sie das Stromkabel direkt an eine Wandsteckdose an. Verwenden Sie niemals ein Verlängerungskabel.
- Trennen Sie das Gerät von der Stromversorgung (indem Sie am Stecker, NICHT am Stromkabel ziehen), falls das Stromkabel abgenutzt oder anderweitig beschädigt sein könnte.
- Zur Vermeidung des Risikos von Stromschlägen oder der Aussetzung von Laserstrahlung entfernen Sie keine Abdeckungen oder Schrauben, die nicht ausdrücklich in den Hinweisen zur Betriebssicherheit angegeben sind.
- Schalten Sie den Strom ab, und trennen Sie das Gerät von der Stromversorgung (indem Sie am Stecker, NICHT am Stromkabel ziehen), falls eine der folgenden Bedingungen zutrifft:
  - Es sind Flüssigkeiten o. ä. auf das Produkt gelangt bzw. in das Gehäuse eingedrungen.
  - Sie gehen davon aus, dass das Produkt gewartet oder repariert werden muss.
  - Das Gehäuse des Produkts wurde beschädigt.

- Vermeiden Sie die Verbrennung von verschüttetem oder gebrauchtem Toner. Tonerstaub könnte sich entzünden, wenn er offenem Feuer ausgesetzt ist.
- Die Entsorgung kann bei Ihrem Vertragshändler oder an entsprechenden Sammelstellen durchgeführt werden.
- Die Entsorgung der gebrauchten Tonerkartuschen (bzw. Tonerflaschen) sollte in Übereinstimmung mit den jeweils vor Ort geltenden Regulierungen erfolgen.

### **VORSICHT**

- Schützen Sie das Produkt vor Wasserdampf oder feuchtem Wetter, wie beispielsweise Regen, Schnee usw.
- Ziehen Sie das Stromkabel aus der Wandsteckdose, bevor Sie das Produkt versetzen. Beim Versetzen des Produktes sollten Sie darauf achten, dass das Stromkabel unter dem Produkt nicht beschädigt wird.
- Ziehen Sie beim Trennen der Stromverbindung am Stecker, NICHT am Kabel selbst.
- Achten Sie darauf, dass keine Büroklammern, Heftklammern oder andere kleine Metallstücke in das Produkt gelangen.
- Verwahren Sie Toner (gebraucht und ungebraucht), Tonerkartuschen (bzw. -flaschen), Tinte (gebraucht und ungebraucht) und Tintenpatronen außer Reichweite von Kindern.
- Vermeiden Sie das Risiko von Verletzungen an scharfen Kanten, wenn Sie versuchen, im Inneren des Gerätes Papier oder Anschlüsse zu entfernen.
- Unter Berücksichtigung umwelttechnischer Aspekte sollten Sie das Produkt und zugehörige Materialien niemals im Hausmüll entsorgen. Die Entsorgung kann bei Ihrem Vertragshändler oder an entsprechenden Sammelstellen durchgeführt werden.
- Unsere Produkte entsprechen hohen Qualitäts- und Funktionalitätsstandards; wir empfehlen daher, ausschließlich bei einem Vertragshändler erworbenes Zubehör zu verwenden.

## Spannungsversorgung

---

Die Steckdose sollte sich in der Nähe des Produktes befinden und frei zugänglich sein.

## Richtlinien für die Verwendung von Symbolen

---

### **ACHTUNG**

Weist auf wichtige Sicherheitsmaßnahmen hin.

Das Nichtbeachten dieser Hinweise kann zum Tod bzw. schwerwiegenden Verletzungen oder Gesundheitsschäden führen. Sie sollten diese Hinweise unbedingt lesen. Die Hinweise finden Sie im Abschnitt Informationen zur Sicherheit dieses Leitfadens.

### **VORSICHT**

Weist auf wichtige Sicherheitsmaßnahmen hin.

Das Nichtbeachten dieser Hinweise kann zu weniger schwerwiegenden Verletzungen oder Gesundheitsschäden bzw. zu Schäden am Gerät oder der Umgebung führen. Sie sollten diese Hinweise unbedingt lesen. Die Hinweise finden Sie im Abschnitt Informationen zur Sicherheit dieses Leitfadens.

# Umwelt

Der Umweltschutz ist ein Hauptanliegen des Herstellers. Der Hersteller hat den Wunsch, Einrichtungen in vollem Respekt der Umwelt gegenüber auszuführen und hat es sich zum Ziel gesetzt, die Umweltverträglichkeit in den Lebenskreislauf seiner Produkte, von der Herstellungsphase über die Inbetriebsetzung und den Gebrauch bis zur Entsorgung, einzuschließen.

## Verpackung



Das Vorhandensein des Logos (grüner Punkt) zeigt, dass ein Beitrag an eine anerkannte nationale Organisation zur Verbesserung der Infrastrukturen, zur Entsorgung und zur Wiederverwendung der Verpackungen geleistet worden ist.

Zur Erleichterung dieser Wiederverwendung bitten wir Sie, die örtlichen Regeln zur Entsorgung für diese Art von Abfällen zu beachten.

## Batterien und Akkus

Sollte Ihr Gerät Batterien oder Akkus enthalten, müssen diese bei den dafür bestimmten Sammelpunkten abgeliefert werden.

## Das Produkt



Das auf dem Produkt angebrachte Entsorgungszeichen zeigt an, dass es sich hierbei um ein Produkt handelt, das zur Familie der elektrischen und elektronischen Geräte gehört.



Deshalb entsorgen Sie bitte diese Produkte, gemäß den europäischen Bestimmungen, an den dafür vorgesehenen Sammelstellen:

- Bei den Verkaufspunkten im Falle des Kaufes eines gleichwertigen Gerätes.
- Bei den Ihnen lokal zur Verfügung gestellten Sammelstellen (Müll, getrennte Sammlungen, usw.).

Auf diese Weise nehmen Sie an der Wiederverwendung und der Aufbereitung der Abfälle von elektrischen und elektronischen Geräten teil, die mögliche Auswirkungen auf die Umwelt und die menschliche Gesundheit haben können.

# Softwarelizenzvereinbarung

LESEN SIE AUFMERKSAM ALLE KLAUSELN UND BEDINGUNGEN DIESER LIZENZ DURCH, BEVOR SIE DEN DIE SOFTWARE ENTHALTENDEN UMSCHLAG ÖFFNEN. MIT DEM ÖFFNEN DIESES UMSCHLAGES AKZEPTIEREN SIE ALLE BESTIMMUNGEN UND BEDINGUNGEN.

Sollten Sie die Bedingungen dieser Lizenz nicht akzeptieren, bitten wir Sie, Ihrem Händler die Verpackung mit der DVD-ROM ungeöffnet zurückzuschicken, sowie auch alle anderen Komponenten des Produkts. Der von Ihnen für das Produkt bezahlte Preis wird Ihnen erstattet. Keine Erstattung erfolgt für Produkte, bei denen die Verpackung der DVD-ROM beschädigt ist, bei denen Teile fehlen oder wenn der Erstattungsantrag nach einem Zeitraum von mehr als zehn (10) Tagen nach Lieferdatum erfolgt. Es gilt die Kopie Ihrer Rechnung.

## Definition

Die Software bezeichnet Programme und die damit verbundene Dokumentation.

## Lizenz

---

- Diese Lizenz gestattet Ihnen, die Software auf privaten, an ein lokales Netzwerk angeschlossenen Computern zu verwenden. Die Software darf ausschließlich für das Drucken auf einem Multifunktionsgerät verwendet werden. Sie dürfen das Recht zum Betrieb der Software keinen Dritten ausleihen oder übertragen.
- Sie haben die Genehmigung, eine Sicherheitskopie zu erstellen.
- Diese Lizenz ist weder exklusiv noch übertragbar.

## Eigentumsrecht

---

Der Hersteller oder seine Lieferanten behalten sich das Eigentumsrecht an der Software vor. Sie werden ausschließlich Eigentümer der DVD-ROM. Sie dürfen die Software nicht ändern, anpassen, dekompileieren, übersetzen, Ableitungen bilden, die Software oder die Dokumentation vermieten oder verkaufen. Alle nicht ausdrücklich gewährten Rechte sind dem Hersteller oder seinen Lieferanten vorbehalten.

## Dauer

---

Diese Lizenz bleibt bis zu ihrer Kündigung in Kraft. Sie können sie kündigen, indem Sie das Programm und die Dokumentation sowie alle Kopien zerstören. Diese Lizenz wird automatisch gekündigt, sollten Sie nicht die Konditionen dieser Lizenz respektieren. Im Falle einer Kündigung verpflichten Sie sich dazu, alle Kopien des Programms und der Dokumentation zu vernichten.

## Gewährleistung

---

Die Software „wird gekauft wie gesehen“ ohne irgendwelche Gewährleistungen, weder ausdrücklich noch stillschweigend, geliefert, einschließlich, aber nicht begrenzt darauf, ohne Mängelgewährleistung und Anpassungsgewährleistung an einen besonderen Gebrauch; alle Risiken, was die Ergebnisse und Leistungen dieser Software betrifft, gehen zu Lasten des Käufers. Sollte sich das Programm als fehlerhaft herausstellen, gehen alle Reparaturkosten oder die Wiederherstellung des Zustands zu Lasten des Käufers.

Der Lizenznehmer genießt jedoch folgende Gewährleistung: Die DVD-ROM, auf der die Software gespeichert ist, befindet sich in Gewährleistung (ohne Material- oder Herstellungsfehler unter normalen Gebrauchs- und Funktionsbedingungen in einem Zeitraum von neunzig (90) Tagen ab dem Lieferdatum). Es gilt die Kopie Ihrer Rechnung. Sollte ein Defekt der DVD-ROM als Folge eines Unfalls oder schlechter Behandlung auftreten, wird diese DVD-ROM nicht im Rahmen der Gewährleistung ersetzt.

## Verantwortlichkeit

---

Falls die DVD-ROM nicht einwandfrei ausgeführt werden kann, senden Sie sie zusammen mit einer Kopie Ihrer Rechnung zurück an den Händler. Die einzige Verantwortlichkeit Ihres Händlers und das einzige Entgegenkommen ist das Ersetzen der DVD-ROM. Weder der Hersteller noch die in der Erschaffung, der Realisation, der Kommerzialisierung oder der Lieferung dieses Programms beteiligten Personen sind für direkte, indirekte oder immaterielle Schäden verantwortlich, wie unter anderem: Informations-, Zeit-, Umsatz-, Gewinn- oder Kundenverlust in Folge des Gebrauchs bzw. mangels Gebrauchsfähigkeit dieses Programms.

## Entwicklung

---

In Hinblick auf stetige Verbesserung behält sich der Hersteller das Recht vor, die Spezifikationen seiner Software ohne Vorankündigung zu ändern. Im Falle von Neuerungen gibt Ihr Benutzungsanspruch Ihnen nicht das Recht auf kostenlose Updates.

## Zuständige Gesetzgebung

---

Diese Lizenz unterliegt dem französischen Recht. Jegliche Streitigkeiten im Hinblick auf die Auslegung oder die Ausführung dieser Lizenz werden den Pariser Gerichten unterworfen.

Aufgrund der permanenten Weiterentwicklung der Technologie behält sich der Hersteller das Recht vor, die für dieses Gerät angegebenen technischen Eigenschaften jederzeit ohne Vorankündigung zu ändern, und/oder die Herstellung des Produkts zu unterbrechen. Alle Namen von Produkten und Firmenmarken, die von den Inhabern eingetragene Marken sein können, werden mit diesem Dokument anerkannt.



## **Eingetragene Marken**

---

Im Hinblick auf die technische Weiterentwicklung behält sich der Hersteller das Recht vor, die angegebenen technischen Merkmale dieses Produkts jederzeit und ohne Vorankündigung zu ändern und/oder dessen Herstellung einzustellen. Companion Suite Pro ist eine eingetragene Marke von Sagem Communications.

Adobe® und die aufgeführten Produkte von Adobe® sind eingetragene Marken von Adobe Systems Incorporated.

PaperPort11SE ist eine eingetragene Marke von ScanSoft.

Microsoft® Windows 2000®, Microsoft® Windows Server 2003®, Microsoft® Windows XP®, Microsoft® Windows Vista® und andere hier aufgeführte Produkte von Microsoft® sind in den USA und/oder anderen Ländern eingetragene und/oder verwendete Marken der Microsoft Corporation.

Alle anderen Marken oder als Beispiel oder zur Information aufgeführten Namen von Produkten sind eingetragene Marken Ihrer jeweiligen Inhaber.

Die in dieser Bedienungsanleitung enthaltenen Informationen können ohne Ankündigung geändert werden.

## **Unzulässige Reproduktionen**

---

Kopieren Sie niemals Dokumente, deren Reproduktion gesetzlich verboten ist.

Das Drucken und Kopieren folgender Dokumente ist generell gesetzlich verboten:

- Banknoten,
- Schecks,
- Obligationen,
- Aktienzertifikate,
- Bankwechsel,
- Pässe,
- Führerscheine.

Die vorstehende Liste wird beispielhaft angeführt, ist jedoch nicht erschöpfend. Im Falle des Zweifels über die Zulässigkeit des Kopierens oder Druckens bestimmter Dokumente wenden Sie sich an einen Rechtsberater.

<b>CONSIGNES DE SÉCURITÉ</b>	<b>26</b>
<b>Cher client</b>	<b>26</b>
<b>Sécurité</b>	<b>26</b>
<i>Consignes de sécurité</i>	26
<i>CEM</i>	27
<i>Remarque concernant les utilisateurs aux</i>	
<i>Etats-Unis d'Amérique</i>	27
<i>Déclaration de conformité</i>	27
<i>Conformité EEM pour le Canada</i>	27
<i>Informations de sécurité relatives au laser</i>	27
<i>Pour l'Europe/Asie</i>	28
<i>Pour l'Amérique du Nord</i>	28
<i>Informations réglementaires</i>	28
<i>Certifications en Europe</i>	28
<i>Position des étiquettes de sécurité sur la machine</i>	29
<i>Symboles de l'interrupteur d'alimentation</i>	29
<b>Installation</b>	<b>30</b>
<i>Conditions d'emplacement</i>	30
<i>Précautions d'utilisation</i>	30
<i>Informations de sécurité</i>	31
<i>Sécurité pendant le fonctionnement</i>	31
<i>Alimentation</i>	32
<i>Règles d'utilisation des symboles</i>	32
<b>Environnement</b>	<b>32</b>
<i>L'emballage</i>	32
<i>Les piles et batteries</i>	33
<i>Le produit</i>	33
<b>Licence d'usage du logiciel</b>	<b>33</b>
<i>Définition</i>	33
<i>Licence</i>	33
<i>Propriété</i>	33
<i>Durée</i>	33
<i>Garantie</i>	33
<i>Responsabilité</i>	34
<i>Evolution</i>	34
<i>Loi applicable</i>	34
<i>Marques déposées</i>	34
<i>Reproductions interdites</i>	34

# CONSIGNES DE SÉCURITÉ

## Cher client

En achetant cet appareil multifonction, vous avez opté pour un produit de qualité. Votre appareil satisfait les différentes spécifications d'un outil bureautique moderne.

Cet appareil vous permet de scanner en couleur, de faxer, d'imprimer et de copier en noir et blanc (**pagepro1490MF**). Vous pouvez connecter l'appareil multifonction sur votre PC (Microsoft Windows 2000/XP/Vista).

Installez le logiciel joint pour utiliser l'appareil multifonction comme imprimante. Vous pouvez en outre via le PC scanner, éditer et enregistrer des documents. Pour la communication avec un ordinateur individuel sans fil, vous disposez d'une connexion avec adaptateur Wireless Local Area Network (WLAN) (équipement optionnel).

WLAN est une option fonctionnant uniquement avec un adaptateur d'origine que vous pouvez obtenir auprès de votre revendeur.

pagepro1490MF:

Le terminal multifonction vous permet de connecter une base DECT-USB à l'un des ports USB de l'appareil et enregistrer des combinés DECT à cette base. Vous pouvez alors émettre et recevoir des appels avec les combinés DECT enregistrés via la ligne téléphonique du terminal multifonction (utilisation téléphonique sans fil standard).

La communication voix est une option fonctionnant uniquement avec un dongle DECT USB spécifique que vous pouvez obtenir auprès de votre revendeur.

Il conjugue puissance, convivialité et simplicité d'utilisation, grâce à son navigateur et son accès multitâche. Les terminaux multifonction MFP Laser présentés sont équipés d'un scanner 600 dpi et d'une imprimante laser noir et blanc offrant une vitesse d'impression de 20 ppm. Le logiciel Companion Suite Pro fourni vous permet d'utiliser votre terminal multifonction comme un scanner et une imprimante depuis un ordinateur individuel. Il vous offre également la possibilité de gérer votre terminal multifonction.

## Sécurité

### *Consignes de sécurité*

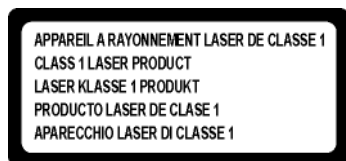
---

Avant de brancher votre appareil, vérifiez que la prise de courant secteur sur laquelle vous allez brancher votre appareil est conforme aux indications portées sur l'étiquette signalétique (tension, courant, fréquence du réseau électrique) apposée sur votre appareil. Cet appareil doit être relié à un schéma d'alimentation secteur monophasé. L'appareil ne doit pas être installé à même le sol.

Les piles et batteries, les emballages et les équipements électriques et électroniques (EEE), doivent être mis au rebut, conformément aux instructions du chapitre ENVIRONNEMENT de ce manuel.

Selon le modèle de l'appareil, la fiche de prise de courant de l'appareil pouvant être le seul moyen de déconnexion du réseau électrique, il est impératif d'appliquer les consignes suivantes : votre appareil doit être branché sur une prise de courant secteur située à proximité. La prise de courant secteur doit rester aisément accessible.

Votre appareil est livré avec un cordon secteur équipé d'une fiche de courant avec terre. Une fiche de courant avec terre doit être impérativement branchée sur une prise murale munie d'une terre reliée à la terre de protection du bâtiment.



**Réparation-maintenance** : Faites exécuter toutes les interventions de réparation et maintenance par un technicien qualifié. Aucun des éléments internes ne peut être réparé par l'utilisateur. Afin d'éviter tout danger d'électrocution, vous ne devez pas essayer de procéder vous-même à ces opérations, car, par l'ouverture ou le retrait des couvercles, vous vous exposeriez à un double danger :

- L'interception du rayonnement laser par l'œil humain peut provoquer des blessures irréremédiables.
- Le contact avec les parties sous tension peut provoquer un choc électrique dont les conséquences peuvent être extrêmement graves.

## CEM

### Remarque concernant les utilisateurs aux Etats-Unis d'Amérique

Cet appareil a été testé et déclaré conforme à la Partie 15 des règles FCC relative aux appareils numériques de classe B. Ces limites sont conçues pour fournir une protection raisonnable contre les interférences dangereuses dans une installation personnelle.

Cet appareil génère, utilise et peut rayonner des fréquences radio et, s'il n'est pas installé et utilisé conformément aux instructions, peut engendrer des interférences nuisibles avec les communications radio. Cependant, il n'est pas garanti que des interférences ne se produiront pas dans une installation particulière.

S'il s'avérait que cet équipement génère des interférences nuisibles aux réceptions de radio ou de télévision, ce qui peut être vérifié en allumant et en éteignant l'équipement, vous êtes encouragé à essayer de corriger les interférences à l'aide de l'une ou de plusieurs des mesures suivantes :

1. Réorientez ou remplacez l'antenne de réception.
2. Eloignez le matériel du récepteur.
3. Connectez le matériel sur une prise fonctionnant sur un circuit différent de celui où le récepteur est connecté.
4. Consultez le revendeur ou un technicien spécialisé en radio / TV.

### Déclaration de conformité

Cet appareil est conforme au chapitre 15 des règles FCC. Son utilisation est soumise aux deux conditions suivantes :

1. Cet équipement ne peut pas causer d'interférences nuisibles,
2. Cet équipement doit accepter toutes les interférences reçues, y compris celles susceptibles d'entraîner un fonctionnement non désiré.

### Conformité EEM pour le Canada

This Class "B" digit apparatus complies with Canadian ICES-003.

Cet appareil numérique de la classe "B" est conforme à la norme NMB-003 du Canada.

### Informations de sécurité relatives au laser

**ATTENTION** : L'utilisation de contrôles, de réglages ou de performances de procédures autres que celles spécifiées dans le présent guide peut entraîner une exposition dangereuse au rayonnement.

Cet équipement est conforme aux normes de sécurité internationales et est classé comme un produit laser de Classe 1.

Avec une référence spécifique aux lasers, l'équipement est conforme aux normes de performances de produits laser établies par les agences gouvernementales, nationales et internationales comme un produit laser de Classe 1. Il n'émet pas de rayonnement dangereux dans la mesure où le faisceau n'est à aucun moment exposé lors des phases de manipulation et de maintenance du client.

## Pour l'Europe/Asie

Ce terminal est conforme au standard IEC 60825-1:1993+A1:1997+A2:2001, est un appareil laser de classe 1 et est sans danger dans un environnement informatique/de bureau. Il contient une diode laser de classe 3B, d'une puissance de 10,72 milliwatts et d'une longueur d'onde de 770 à 795 nanomètres et d'autres diodes laser classe 1 (280  $\mu$ W à 639 nm).

L'exposition directe (ou indirecte par réfléchissement) des yeux au rayon laser présente un risque de lésions oculaires sérieuses. Des dispositifs de sécurité et de verrouillage permettent d'empêcher que les opérateurs ne soient exposés au rayonnement laser.

## Pour l'Amérique du Nord

Normes CDRH.

Cet équipement est conforme aux FDA performance standards pour les produits laser excepté pour les dérogations relatives à la Laser Notice No.50, datée du 24 Juin 2007 et contient 1 diode laser classe 3B, 10.72 milliwatt et d'une longueur d'onde de 770 à 795 nanomètres et d'autres diodes laser classe 1 (280  $\mu$ W à 639 nm).

Cet équipement n'émet pas de lumière laser dangereuse, car le rayon est totalement captif quel que soit le mode de fonctionnement ou de maintenance utilisé par le client.

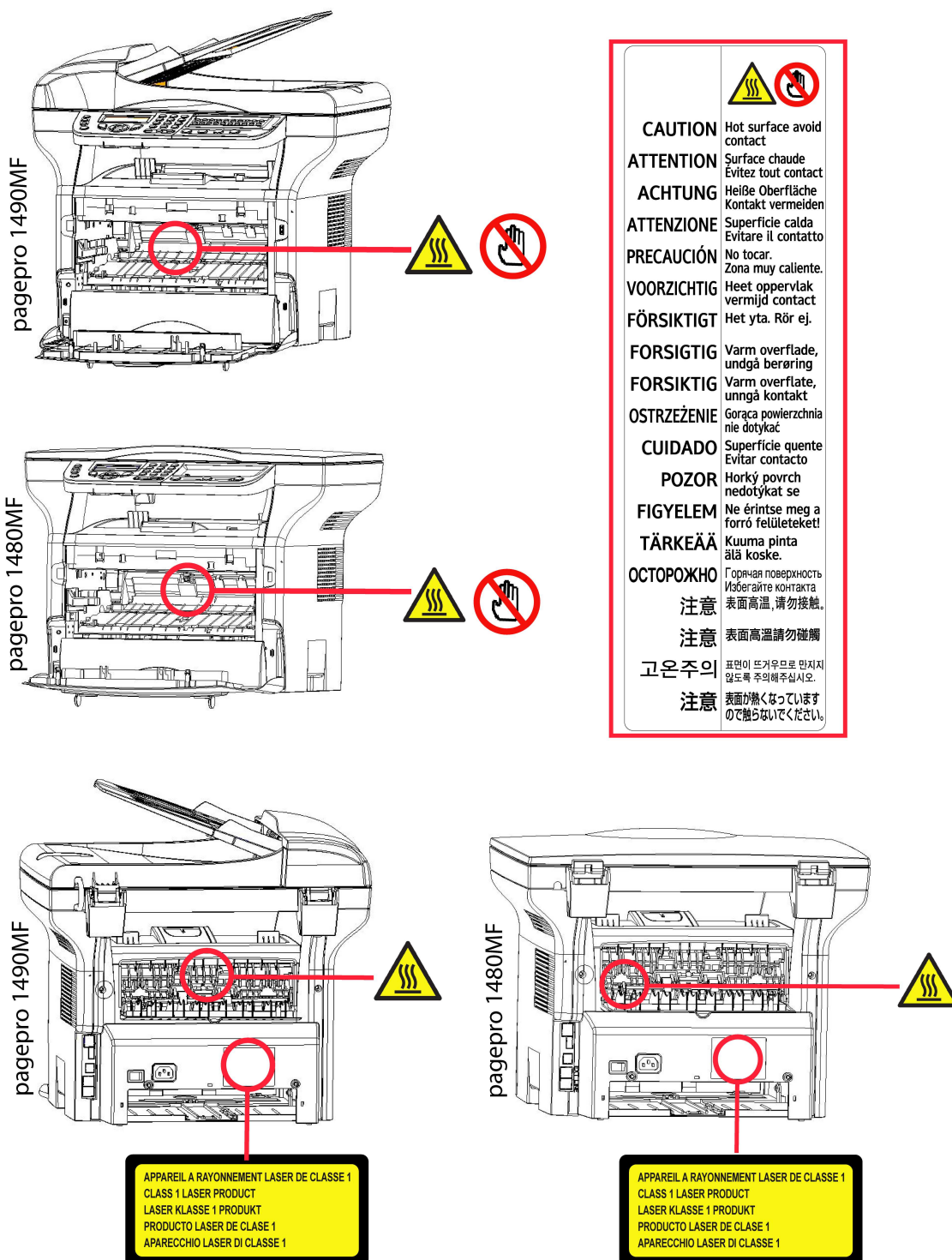
## Informations réglementaires

### Certifications en Europe

CE	La marque CE apposée sur ce produit indique la déclaration de conformité avec les directives applicables de l'Union européenne, selon les dates indiquées :
12 décembre 2006 :	Directive 2006/95/CE amendée. Approximation des lois des états membres relatives aux équipements basse tension.
15 décembre 2004 :	Directive 2004/108/CE amendée. Approximation des lois des états membres relatives à la compatibilité électromagnétique.
9 mars 1999 :	Directive 99/5/CE sur les équipements de radio et de télécommunications et la reconnaissance mutuelle de conformité.

## Position des étiquettes de sécurité sur la machine

Par mesure de sécurité, des étiquettes d'avertissement ont été apposées sur l'appareil aux endroits indiqués ci-dessous. Pour votre sécurité, ne touchez pas ces surfaces lorsque vous procédez à l'élimination d'un bouchage papier ou que vous remplacez la cartouche toner.



## Symboles de l'interrupteur d'alimentation

Conformément à la norme IEC 60417, l'appareil utilise les symboles de l'interrupteur d'alimentation suivants :

- signifie MARCHE.
- signifie ARRET.

# Installation

## Conditions d'emplacement

---

En choisissant un emplacement approprié, vous préservez la durée de vie du terminal. Vérifiez que l'emplacement sélectionné présente les caractéristiques suivantes :

- Choisissez un emplacement bien aéré.
- Veillez à ne pas obturer les grilles d'aération situées sur les côtés gauche et droit de l'appareil. Lors de l'installation, veillez à placer le terminal à une trentaine de centimètres de tout objet afin de faciliter l'ouverture des capots.
- Assurez-vous que cet emplacement ne présente aucun risque d'émission d'ammoniac ou d'autres gaz organiques.
- La prise de terre (reportez-vous aux consignes de sécurité présentées au chapitre **Sécurité**) à laquelle vous envisagez de connecter le terminal doit se situer à proximité de celui-ci et être aisément accessible.
- **Assurez-vous que le terminal n'est pas directement exposé aux rayons du soleil.**
- Veillez à ne pas placer le terminal dans une zone exposée à un courant d'air généré par un système de conditionnement d'air, de chauffage ou de ventilation, ni dans une zone sujette à de grands écarts de température ou d'humidité.
- Choisissez une surface solide et horizontale sur laquelle le terminal ne sera pas exposé à de fortes vibrations.
- **Tenez le terminal à l'écart de tout objet qui pourrait obstruer ses orifices d'aération.**
- Ne placez pas le terminal à proximité de tentures ou d'autres objets combustibles.
- Choisissez un emplacement où les risques d'éclaboussures d'eau ou d'autres liquides sont limités.
- Assurez-vous que cet endroit est sec, propre et sans poussière.

## Précautions d'utilisation

---

Tenez compte des importantes précautions ci-dessous lors de l'utilisation du terminal.

Environnement d'exploitation :

- Température : 10 °C à 27 °C [50 °F à 80,6 °F] avec une humidité ambiante comprise entre 15 et 80 % (jusqu'à 32 °C [89,6 °F] avec une humidité ambiante comprise entre 15 et 54 %).

Terminal :

La section suivante décrit les précautions à prendre lors de l'utilisation du terminal :

- En cours d'impression, ne mettez jamais le terminal hors tension ou n'ouvrez jamais ses capots.
- N'utilisez jamais de gaz ou de liquides inflammables, ou des objets susceptibles de générer un champ magnétique à proximité du terminal.
- Lorsque vous débranchez le cordon secteur, saisissez toujours la fiche en évitant de tirer sur le cordon. Un cordon endommagé représente une source potentielle d'incendie ou de décharge électrique.
- Ne touchez jamais le cordon secteur avec des mains humides. Vous risqueriez de recevoir une décharge électrique.
- Débranchez toujours le cordon secteur avant de déplacer le terminal. Sinon, vous risqueriez d'endommager le cordon et de créer un risque d'incendie ou de décharge électrique.
- Débranchez toujours le cordon secteur lorsque vous envisagez de ne pas utiliser le terminal pendant une période prolongée.
- Ne posez jamais d'objets sur le cordon secteur, ne tirez jamais dessus et ne le pliez jamais. Cela pourrait générer un risque d'incendie ou de décharge électrique.
- Veillez toujours à ce que le terminal ne repose jamais sur le cordon secteur ou les câbles de communication de tout autre appareil électrique. Veillez également à ce qu'aucun cordon ni câble ne soit introduit dans le mécanisme du terminal. Cela vous exposerait à un risque de mauvais fonctionnement du terminal ou à un risque d'incendie.
- Assurez-vous que l'imprimante est hors tension avant de connecter ou de déconnecter un câble d'interface sur l'imprimante (utilisez un câble d'interface blindé).
- N'essayez jamais de retirer un panneau ou un capot fixé. Le terminal contient des circuits haute tension. Tout

- contact avec ces circuits peut entraîner un risque de décharge électrique.
- N'essayez jamais de modifier le terminal. Cela pourrait générer un risque d'incendie ou de décharge électrique.
  - Veillez toujours à ce que les trombones, agrafes ou autres petites pièces métalliques ne pénètrent pas dans le terminal par les orifices d'aération ou d'autres ouvertures. De tels objets génèrent un risque d'incendie ou de décharge électrique.
  - Evitez que de l'eau ou tout autre liquide ne se répande sur le terminal ou à proximité de celui-ci. Tout contact du terminal avec de l'eau ou du liquide peut générer un risque d'incendie ou de décharge électrique.
  - Si du liquide ou une pièce métallique pénètre accidentellement dans le terminal, mettez-le immédiatement hors tension, débranchez le cordon secteur et contactez votre revendeur. Sinon, vous vous exposeriez à un risque d'incendie ou de décharge électrique.
  - En cas d'émission de chaleur, de fumée, d'odeurs inhabituelles ou de bruits anormaux, mettez le terminal hors tension, débranchez-le immédiatement, puis contactez votre revendeur. Sinon, vous vous exposeriez à un risque d'incendie ou de décharge électrique.
  - Evitez d'utiliser le terminal pendant un "orage électrique", ceci peut présenter un risque de choc électrique provoqué par la foudre.
  - Ne déplacez jamais le terminal pendant une impression.
  - Soulevez le terminal lorsque vous souhaitez le déplacer.



Veillez à placer le terminal dans un local bien aéré. Le fonctionnement de l'imprimante génère en effet une petite quantité d'ozone. Une odeur désagréable peut se dégager de l'imprimante si celle-ci fonctionne de façon intensive dans un local mal aéré. Pour une utilisation sûre, veillez à placer le terminal dans un local bien ventilé.

## Informations de sécurité

Lorsque vous utilisez votre équipement, les précautions de sécurité suivantes doivent toujours être respectées.

### Sécurité pendant le fonctionnement

Dans cette section informative, les symboles suivants sont utilisés :

 <b>ATTENTION</b> :	Indique une situation potentiellement dangereuse qui, si les instructions ne pas suivies, peut entraîner des blessures graves voire fatales.
 <b>ATTENTION</b> :	<i>Indique une situation potentiellement dangereuse qui, si les instructions ne pas suivies, peut entraîner des blessures mineures à modérées, ou endommager l'équipement.</i>

### ATTENTION

- Branchez le cordon secteur directement sur la prise murale et n'utilisez jamais de rallonge.
- Débranchez la prise d'alimentation (en tirant sur la prise et non sur le câble) si le câble d'alimentation ou la prise commence à s'effiloche ou à être endommagé(e).
- Pour éviter tout risque de choc électrique ou d'exposition aux rayons laser, ne déposez aucun couvercle ni aucune vis autres que ceux et celles spécifiés dans les instructions d'utilisation.
- Coupez l'alimentation et débranchez la prise d'alimentation (en tirant sur la prise et non sur le câble) si l'une des situations suivantes se présente :
  - Vous versez quelque chose dans l'équipement.
  - Vous pensez que votre équipement a besoin d'un entretien ou d'une réparation.
  - Le couvercle de votre équipement est endommagé.
- Ne pas incinérer de toner renversé ou usagé. La poussière du toner peut s'enflammer si elle est exposée à une flamme nue.



- L'équipement peut être mis au rebut chez un revendeur autorisé ou un site de récupération approprié.
- La mise au rebut d'une cartouche (ou bouteille) de toner usagée est soumise à la réglementation locale.

### ATTENTION

- Protégez l'équipement de toute humidité (pluie, neige, etc.)
- Débranchez le cordon secteur de la prise murale avant de déplacer l'équipement. Lorsque vous déplacez l'équipement, veillez à ce que le cordon secteur ne reste pas sous l'équipement afin de ne pas l'endommager.
- Lorsque vous débranchez le cordon secteur de la prise murale, tirez toujours sur la prise (et non sur le câble).
- Veillez à ce que les trombones, agrafes ou autres petites pièces métalliques ne tombent pas dans l'équipement.
- Tenez les toners (usagés ou non), les cartouches de toners (ou bouteilles), l'encre (usagée ou non) ou les cartouches d'encre hors de portée des enfants.
- Veillez à ne pas vous couper sur des arêtes coupantes lorsque vous intervenez à l'intérieur de l'appareil pour éliminer tout bouchage papier.
- Pour des raisons environnementales, ne mettez pas au rebut l'appareil ou ni les consommables à un point de récupération de déchets ménagers. L'équipement peut être mis au rebut chez un revendeur autorisé ou un site de récupération approprié.
- Nos produits sont conçus pour répondre aux exigences les plus élevées en termes de qualité et de fonctionnalité, et nous vous conseillons de n'utiliser que les consommables disponibles auprès d'un revendeur autorisé.

## Alimentation

---

La prise doit être installée près de l'appareil tout en restant aisément accessible.

## Règles d'utilisation des symboles

---

### ATTENTION

Indique des notes de sécurité importantes.

Le non respect de ces notes pourrait entraîner des blessures graves voire fatales. Veillez à bien lire ces notes. Vous les trouverez à la section Informations de sécurité du présent manuel.

### ATTENTION

Indique des notes de sécurité importantes.

Le non respect de ces notes pourrait entraîner des blessures mineures à modérées, ou endommager l'appareil ou l'équipement. Veillez à bien lire ces notes. Vous les trouverez à la section Informations de sécurité du présent manuel.

# Environnement

La préservation de l'environnement est une préoccupation essentielle du fabricant. Le fabricant a la volonté d'exploiter des installations respectueuses de l'environnement et a choisi d'intégrer la performance environnementale dans l'ensemble du cycle de vie de ses produits, de la phase de fabrication à la mise en service, l'utilisation et l'élimination.

## L'emballage

---



La présence du logo (point vert) signifie qu'une contribution est versée à un organisme national agréé, pour améliorer les infrastructures de récupération et de recyclage des emballages.

Pour faciliter ce recyclage, veuillez respecter les règles de tri mises en place localement pour ce type de déchets.

## Les piles et batteries

Si votre produit contient des piles ou des batteries, ces dernières doivent être déposées dans les points de collecte désignés.

## Le produit



La poubelle barrée apposée sur le produit signifie qu'il appartient à la famille des équipements électriques et électroniques.

A ce titre, la réglementation européenne vous demande de procéder à sa collecte sélective :

- Dans les points de distribution en cas d'achat d'un équipement équivalent.
- Dans les points de collecte mis à votre disposition localement (déchetterie, collecte sélective, etc.).

Ainsi, vous participez à la réutilisation et à la valorisation des Déchets d'Équipement Électriques et Électroniques qui peuvent avoir des effets potentiels sur l'environnement et la santé humaine.

# Licence d'usage du logiciel

LISEZ ATTENTIVEMENT TOUS LES TERMES ET CONDITIONS DE LA PRESENTE LICENCE AVANT D'OUVRIRE L'ENVELOPPE CACHETEE CONTENANT LE LOGICIEL. L'OUVERTURE DE CETTE ENVELOPPE IMPLIQUE VOTRE ACCEPTATION DE CES TERMES ET CONDITIONS.

Au cas où vous n'accepteriez pas les termes de cette licence, veuillez retourner à votre revendeur l'emballage du DVD-ROM, sans l'avoir ouvert, ainsi que les autres composants du produit. Le prix auquel vous avez payé ce produit vous sera remboursé. Aucun remboursement ne sera effectué pour les produits dont l'emballage du DVD-ROM aurait été défectueux ou lorsqu'il manque des composants ou lorsque la demande de remboursement est effectuée après une période de dix (10) jours à compter de la date de livraison, la copie de votre reçu faisant foi.

## Définition

Le Logiciel désigne les programmes et la documentation associée.

## Licence

- Cette licence vous permet d'utiliser le Logiciel sur des ordinateurs personnels connectés sur un réseau local. Vous n'avez le droit d'utiliser le Logiciel que pour imprimer sur un seul terminal multifonction, vous ne pouvez prêter ou concéder à des tiers un droit d'usage sur le Logiciel.
- Vous êtes autorisé à effectuer une copie de sauvegarde.
- Cette licence est non exclusive et non transférable.

## Propriété

Le fabricant ou ses fournisseurs conservent le droit de propriété du Logiciel. Vous ne devenez propriétaire que du DVD-ROM. Vous ne devez pas modifier, adapter, décompiler, traduire, créer d'oeuvre dérivée, louer ou vendre le Logiciel ou la documentation. Tous droits non expressément concédés sont réservés par le fabricant ou ses fournisseurs.

## Durée

Cette licence reste en vigueur jusqu'à sa résiliation. Vous pouvez la résilier en détruisant le programme et la documentation ainsi que toutes les copies de ceux-ci. Cette licence serait automatiquement résiliée au cas où vous ne respecteriez pas les termes de cette licence. En cas de résiliation, vous vous engagez à détruire toutes les copies du programme et de la documentation.

## Garantie

Le Logiciel est fourni « en l'état » sans garantie d'aucune sorte, ni expresse, ni implicite, y compris, de façon non limitative, sans garantie d'adaptation commerciale et d'aptitude à une utilisation particulière ; tous les risques en ce qui concerne les résultats et performances de ce Logiciel sont assumés par l'acheteur. Au cas où le programme s'avérerait défectueux, tous les frais de réparation ou de remise en état seraient pris en charge par l'acheteur.

Le titulaire de la licence bénéficie toutefois de la garantie suivante : le DVD-ROM sur lequel le Logiciel est enregistré est garanti, sans défaut matériel ou de fabrication dans des conditions d'utilisation et de fonctionnement normales pendant une période de quatre-vingt dix (90) jours à compter de la date de livraison, la copie de votre reçu faisant foi. Dans le cas où le défaut du DVD-ROM se produirait à la suite d'un accident ou d'une mauvaise utilisation, ce DVD-ROM ne serait pas remplacé dans le cadre de la garantie.

---

## **Responsabilité**

La seule responsabilité de votre revendeur et votre seul et unique recours est le remplacement du DVD-ROM qui ne répondrait pas à la garantie et qui serait renvoyé accompagné d'une copie de votre reçu. Ni le fabricant ni qui que ce soit impliqué dans la création, la réalisation, la commercialisation ou la livraison de ce programme ne serait être responsable des dommages directs, indirects ou immatériels, tels que, cette liste n'étant pas limitative, perte d'informations, perte de temps, perte d'exploitation, perte de revenus, perte de clientèle, à la suite de l'utilisation ou de l'incapacité d'utiliser un tel programme.

---

## **Evolution**

Dans un souci d'amélioration constant, le fabricant se réserve le droit de faire évoluer les caractéristiques du Logiciel sans préavis. En cas d'évolution, votre droit d'utilisation ne vous donne pas droit à des mises à jour gratuites.

---

## **Loi applicable**

Cette licence est régie par le droit français. Tout litige découlant de l'interprétation ou de l'exécution de cette licence sera soumis aux Tribunaux de Paris.

Etant donné l'évolution permanente de la technologie, le fabricant se réserve le droit de modifier les caractéristiques techniques indiquées pour ce produit, à tout moment, sans avis préalable, et/ou d'interrompre la production de ce produit. Tous les noms de produits et de marques pouvant être des marques déposées par leurs détenteurs respectifs sont reconnus dans le présent document.

---

## **Marques déposées**

Compte tenu de l'évolution technique, le fabricant se réserve le droit de modifier les caractéristiques techniques de ce produit, à tout moment, sans avis préalable, et/ou d'interrompre la production de ce produit Companion Suite Pro est une marque déposée de Sagem Communications.

Adobe® et les produits Adobe® cités sont des marques déposées d'Adobe Systems Incorporated.

PaperPort11SE est une marque déposée de ScanSoft.

Microsoft® Windows 2000®, Microsoft® Windows Server 2003®, Microsoft® Windows XP®, Microsoft® Windows Vista® et tout autre produit Microsoft® mentionné sont des marques de Microsoft Corporation déposées et/ou utilisées aux Etats-Unis et/ou dans d'autres pays.

Toutes les autres marques ou noms de produits cités à titre d'exemple ou d'information sont des marques déposées de leurs détenteurs respectifs.

Les informations contenues dans ce livret d'utilisation sont sujettes à modification sans préavis.

---

## **Reproductions interdites**

Ne copiez jamais ou n'imprimez jamais des documents dont la reproduction est interdite par la loi.

L'impression et la copie des documents suivants sont généralement interdites par la loi :

- billets de banque ;
- chèques ;
- obligations ;
- certificats de dépôt ;
- titres d'emprunt ;
- passeports ;
- permis de conduire.

La liste ci-dessus est donnée à titre d'exemple, mais n'est pas exhaustive. En cas de doute sur la légalité de la copie ou de l'impression de certains documents, adressez-vous à un conseiller juridique.

<b>DIRECTIVAS DE SEGURIDAD</b>	<b>36</b>
<b>Estimado cliente</b>	<b>36</b>
<b>Seguridad</b>	<b>36</b>
<i>Directivas de seguridad</i>	36
<i>EMC</i>	37
<i>Nota a los usuarios de Estados Unidos</i>	37
<i>Declaración de conformidad</i>	37
<i>Cumplimiento de Efectos Electromagnéticos Medioambientales (EME) en Canadá</i>	37
<i>Información de seguridad del láser</i>	37
<i>Para Europa/Asia</i>	38
<i>Para Norteamérica</i>	38
<i>Información de regulación</i>	38
<i>Certificaciones para Europa</i>	38
<i>Posición de las etiquetas de seguridad en el terminal</i>	39
<i>Símbolos del interruptor de alimentación</i>	39
<b>Instalación</b>	<b>40</b>
<i>Condiciones del emplazamiento</i>	40
<i>Precauciones de uso</i>	40
<i>Medidas durante su utilización</i>	41
<i>Alimentación eléctrica</i>	42
<i>Normas para la utilización de los símbolos</i>	42
<b>Medio ambiente</b>	<b>42</b>
<i>El embalaje</i>	42
<i>Las pilas y las baterías</i>	42
<i>El producto</i>	43
<b>Licencia de uso del software</b>	<b>43</b>
<i>Definición</i>	43
<i>Licencia</i>	43
<i>Propiedad</i>	43
<i>Duración</i>	43
<i>Garantía</i>	43
<i>Responsabilidad</i>	44
<i>Ley aplicable</i>	44
<i>Marcas registradas</i>	44
<i>Se prohíben las reproducciones</i>	44

# DIRECTIVAS DE SEGURIDAD

## Estimado cliente

Al comprar este terminal multifunción, ha elegido un producto de calidad Konica Minolta. Su dispositivo cumple con las diferentes especificaciones de una herramienta ofimática moderna.

Este terminal le permite escanear en color, imprimir y hacer copias en blanco y negro (**pagepro 1490MF**). Puede conectar el terminal multifunción a su PC (Microsoft Windows 2000/XP/Vista).

Instale el software adjunto para usar el terminal multifunción como una impresora. Además, puede escanear a través del PC, editar y guardar los documentos. Para la comunicación con un ordenador individual inalámbrico dispone de una conexión con adaptador para red inalámbrica (WLAN), que es una opción del equipo.

La opción para red inalámbrica (WLAN) es una opción que funciona sólo con un adaptador original que puede conseguir a través de su distribuidor habitual.

Es una herramienta potente, amena y fácil de usar gracias a su navegador y su acceso multitarea.

### **pagepro 1490MF:**

Los terminales multifunción MFP Laser vienen equipados con un escáner de 600ppp y una impresora láser en blanco y negro que ofrece una velocidad de impresión de 20ppm. El software Companion Suite Pro suministrado le permite usar su terminal multifunción como un escáner y una impresora desde su ordenador personal. También le ofrece la posibilidad de gestionar su terminal multifunción.

## Seguridad

### *Directivas de seguridad*

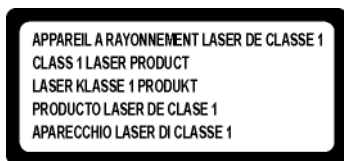
---

Antes de conectar su aparato, debe comprobar que el enchufe al que conecta su aparato cumple con las indicaciones anotadas en la placa de información (tensión, corriente, frecuencia de la red eléctrica) de su dispositivo. Este aparato se debe conectar a una red de alimentación eléctrica monofásica. El aparato no debe instalarse directamente en el suelo.

Las pilas, las baterías, los embalajes y los equipos eléctricos o electrónicos (EEE) se deben desechar de acuerdo con las instrucciones del capítulo MEDIO AMBIENTE de esta guía.

Según el modelo del aparato, el enchufe de corriente del aparato es a veces el único medio de desconectarse de la red eléctrica, por esto es obligatorio aplicar las medidas siguientes: su aparato debe enchufarse en una toma cercana. El enchufe debe tener un fácil acceso.

Su aparato se entrega con un cable de enchufe con toma a tierra. Un enchufe de corriente con toma a tierra se debe conectar obligatoriamente en un enchufe con toma de tierra unida a la tierra de protección del edificio.



**Reparación - mantenimiento:** Todas las intervenciones de reparación y mantenimiento deben ser realizadas por un técnico cualificado. Ningún elemento interno puede ser reparado por el usuario. A fin de evitar todo riesgo de descarga eléctrica, no debe tratar de efectuar por sí mismo estas operaciones, ya que abrir o retirar las cubiertas, le expondría a un doble peligro:

- La intercepción del rayo láser por el ojo humano puede provocar heridas irremediables.
- El contacto con las partes en tensión puede provocar una descarga eléctrica cuyas consecuencias pueden ser muy graves.

## EMC

### Nota a los usuarios de Estados Unidos

Este aparato se ha sometido a pruebas que confirman que se ajusta a los límites para dispositivos digitales de clase B, de acuerdo con las especificaciones del apartado 15 de la normativa de la FCC. Estos límites se han diseñado para ofrecer una protección razonable frente a interferencias perjudiciales en instalaciones de áreas residenciales.

Este aparato genera, utiliza y puede radiar energía de radio frecuencia y, si no se instala y utiliza conforme a las instrucciones del manual, puede causar interferencias dañinas en las comunicaciones por radio. No obstante, no hay ninguna garantía de que no se producirán interferencias en una determinada instalación.

Si el aparato produce interferencias dañinas en la recepción de radio o televisión, lo que se puede determinar apagando y encendiendo el equipo, el usuario tendrá que corregir estas interferencias siguiendo alguna de estas medidas:

1. Reoriente o vuelva a colocar la antena receptora.
2. Aumente la separación entre el aparato y el receptor.
3. Conecte el aparato en una salida de un circuito diferente al que esté conectado el receptor.
4. Pida ayuda al distribuidor o a un técnico experto de radio / TV.

### Declaración de conformidad

Este dispositivo cumple el apartado 15 de la normativa de la FCC. Su funcionamiento está sujeto a las siguientes dos condiciones:

1. Este dispositivo no puede causar interferencia dañina, y
2. este dispositivo debe aceptar cualquier interferencia recibida, incluyendo toda interferencia que pueda causar un funcionamiento indeseado.

### Cumplimiento de Efectos Electromagnéticos Medioambientales (EME) en Canadá

Este dispositivo digital de clase "B" cumple con la normativa ICES-003 de Canadá.

Cet appareil numérique de la classe "B" est conforme à la norme NMB-003 du Canada.

### Información de seguridad del láser

**PRECAUCIÓN:** La utilización de controles, modificaciones o realización de procedimientos distintos a los especificados en esta guía puede resultar en exposiciones peligrosas a la luz.

Este equipo cumple las normativas internacionales de seguridad y está clasificado como Producto Láser Clase 1.

Concretamente y en relación con los láseres, este equipo cumple con las normativas de funcionamiento de productos que se estipulan a nivel gubernamental, nacional e internacional como un Producto Láser Clase 1. No emite ninguna luz peligrosa ya que el rayo láser está totalmente protegido durante todas las fases de funcionamiento y mantenimiento.

## Para Europa/Asia

---

Este aparato cumple la normativa IEC 60825-1:1993+A1:1997+A2:2001, se considera un dispositivo láser de clase 1, de uso seguro en oficina/EDP. El aparato contiene un diodo láser de clase 3B, 10,72 milivatios máx., 770-795 nanómetros de longitud de onda y otras LED de clase 1 (280 µW en 639 nm).

El contacto directo (o indirecto, reflejado) del ojo con el haz de láser podría causar lesiones graves en el ojo. Se han diseñado precauciones de seguridad y mecanismos de interbloqueo para impedir cualquier posible exposición del operario al haz de láser.

## Para Norteamérica

---

Regulaciones CDRH.

Este aparato cumple los requisitos de los FDA performance standards para productos láser, salvo para las derogaciones relativas a la Laser Notice No.50, con fecha del 24 de junio del 2007, y contiene un diodo láser de clase 3B, 10,72 milivatios, 770-795 nanómetros de longitud de onda y otras LED de clase 1 (280 µW en 639 nm).

Este aparato no emite luces peligrosas ya que el haz está totalmente encerrado durante todos los modos de funcionamiento y mantenimiento del cliente.

## Información de regulación

---

### Certificaciones para Europa

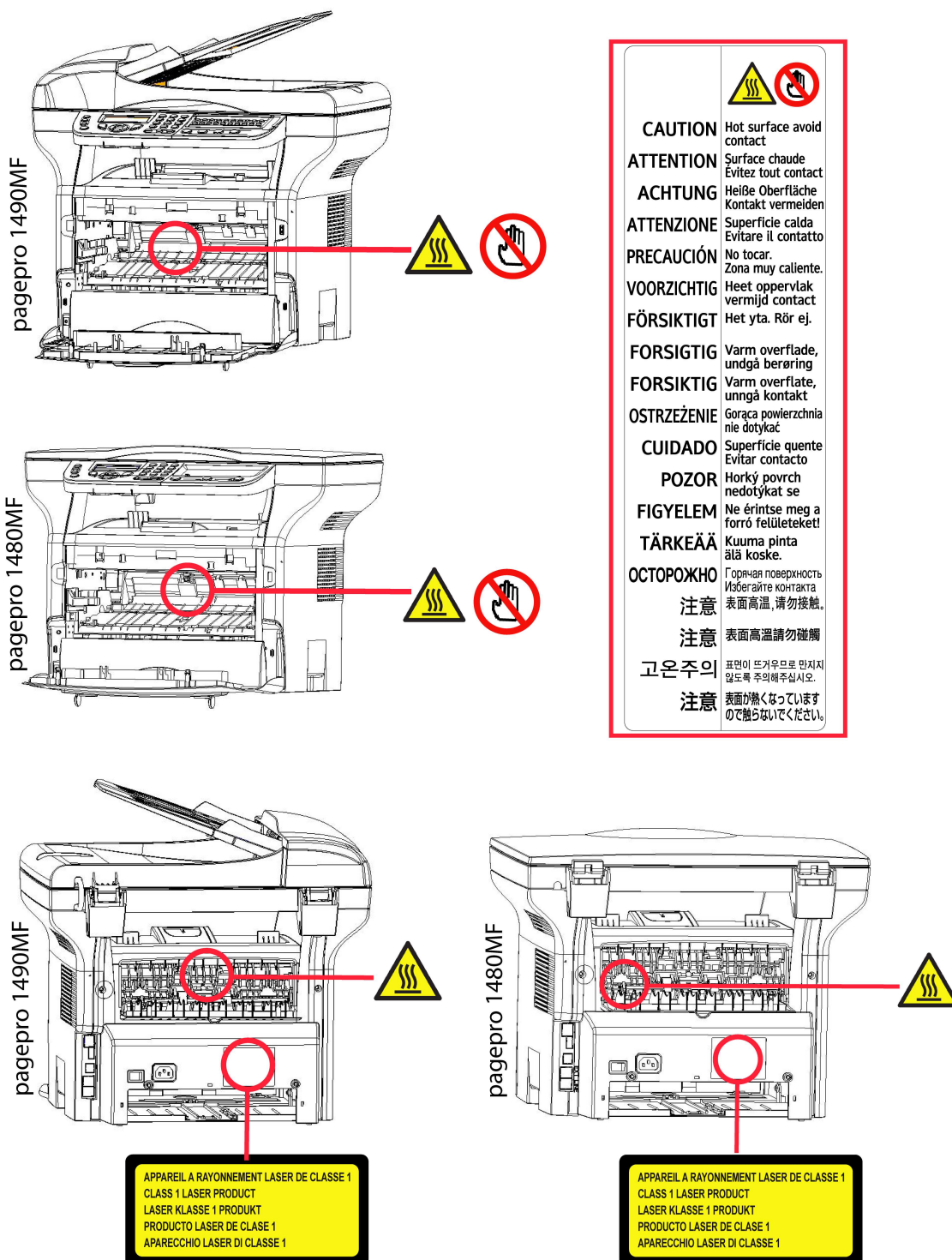
---

**CE** La marca CE aplicada a este producto representa la declaración de que cumple con las siguientes directivas aplicadas por la Unión Europea a partir de las fechas indicadas:

- 12 de diciembre de 2006:** Directiva del Consejo 2006/95/EC en su forma modificada Aproximación de la legislación de los Estados miembros relativas a equipos de bajo voltaje.
- 15 de diciembre de 2004:** Directiva del Consejo 2004/108/EC en su forma modificada Aproximación de la legislación de los Estados miembros relativa a la compatibilidad electromagnética.
- 9 de marzo de 1999:** Directiva del Consejo 99/5/EC sobre el equipos de radio, equipos de terminal de telecomunicaciones y de mutuo reconocimiento de conformidad.

## Posición de las etiquetas de seguridad en el terminal

Por medidas de seguridad, se han puesto etiquetas de advertencia en el aparato en los lugares indicados a continuación. Por su seguridad, no toque estas superficies cuando proceda a eliminar un atasco de papel o a reemplazar el cartucho de tóner.



## Símbolos del interruptor de alimentación

De conformidad con la norma IEC 60417, el aparato utiliza los símbolos del interruptor de alimentación siguientes:

- significa ENCENDIDO
- significa APAGADO.



# Español Instalación

## Condiciones del emplazamiento

---

Al escoger un emplazamiento apropiado, puede prolongar el servicio del terminal. Compruebe que el emplazamiento seleccionado tenga las siguientes características:

- Escoja un emplazamiento bien ventilado.
- Nunca obture las rejillas de ventilación situadas en el lado izquierdo y derecho del dispositivo. Durante la instalación, coloque el terminal a unos 30cm de distancia de cualquier objeto para facilitar la apertura de las tapas.
- Asegúrese de que en este emplazamiento no haya ningún riesgo de emisión de amoníaco o de otros gases orgánicos.
- La toma de tierra (consulte las consignas de seguridad que se presentan en el capítulo **Seguridad**) al que desea conectar el terminal debe estar cerca de este y ser fácilmente accesible.
- **Asegúrese de que el terminal no quede expuesto directamente a los rayos solares.**
- No coloque el terminal en una zona expuesta a una corriente de aire generada por un sistema de aire acondicionado, calefacción o ventilación, ni en una zona expuesta a grandes diferencias de temperatura o de humedad.
- Escoja una superficie sólida y horizontal donde el terminal no estará expuesto a vibraciones importantes.
- **Aleje el terminal de todo objeto que pueda obstruir sus orificios de ventilación.**
- No coloque el terminal cerca de cortinas u otros objetos inflamables.
- Escoja un emplazamiento donde haya pocas posibilidades de que se salpique el dispositivo con agua u otros líquidos.
- Asegúrese de que este lugar esté seco, limpio y sin polvo.

## Precauciones de uso

---

Tenga en cuenta las siguientes precauciones importantes a la hora de utilizar el terminal.

### Entorno circundante:

- Temperatura: de 10°C a 27°C [50 °F a 80,6 °F] con humedad ambiental entre un 15 y un 80% (hasta 32°C [89,6 °F] y con humedad ambiental entre un 15 y un 54%).

### Terminal:

La siguiente sección describe las precauciones que se deben tomar a la hora de utilizar el terminal:

- Durante la impresión, nunca apague el terminal o abra las tapas.
- Nunca use gas o líquidos inflamables, u objetos que puedan generar un campo magnético cerca del terminal.
- Cuando desconecte el cable de alimentación, cójalo siempre del enchufe sin tirar del cable. Un cable dañado representa una fuente potencial de incendio o de descarga eléctrica.
- Nunca toque el cable de alimentación con las manos húmedas. Puede recibir una descarga eléctrica.
- Desconecte siempre el cable de alimentación antes de desplazar el terminal. En caso contrario, puede dañar el cable y generar un riesgo de incendio o de descarga eléctrica.
- Desconecte siempre el cable de alimentación si no va a utilizar el terminal durante un periodo prolongado.
- Nunca coloque objetos sobre el cable de alimentación, ni tire de él y ni lo doble. Esto podría crear un riesgo de incendio o de descarga eléctrica.
- Compruebe que el terminal no está apoyado sobre el cable de alimentación o sobre los cables que lo unen a cualquier otro aparato eléctrico. Compruebe también que no haya ningún cable ni cordón introducido en el mecanismo del terminal. Esto puede generar un riesgo de mal funcionamiento del terminal o de incendio.
- Compruebe que el terminal esté desenchufado antes de conectar o desconectar un cable de interfaz en el mismo (use un cable de interfaz blindado).
- Nunca intente retirar un panel o una cubierta fijos. El terminal contiene circuitos de alta tensión. Todo contacto con estos circuitos puede provocar un riesgo de descarga eléctrica.
- Nunca intente modificar el terminal. Esto podría crear un riesgo de incendio o de descarga eléctrica.
- Tenga cuidado en todo momento de que no entren clips, grapas u otras piezas pequeñas metálicas en el terminal por los orificios de ventilación u otras aberturas. Esto podría crear un riesgo de incendio o de descarga eléctrica.

- Evite que se derrame agua o cualquier otro líquido sobre el terminal o cerca de él. Todo contacto del terminal con agua o líquido puede crear un riesgo de incendio o de descarga eléctrica.
- Si un líquido o una pieza metálica penetra accidentalmente en el terminal, apáguelo inmediatamente, desconecte el cable de alimentación y póngase en contacto con su distribuidor habitual. En caso contrario, se expone a un riesgo de incendio o de descarga eléctrica.
- En caso de emisión de calor, de humo, de olores inusuales o de ruidos anómalos, apague el terminal, desconéctelo inmediatamente y póngase en contacto con su distribuidor habitual. En caso contrario, se expone a un riesgo de incendio o de descarga eléctrica.
- Evite el uso del terminal durante una "tormenta eléctrica", esto puede provocar un riesgo de descarga eléctrica causado por un rayo.
- No desplace el terminal durante la impresión.
- Levante el terminal cuando desee desplazarlo.



Compruebe que el terminal se encuentra en un local bien ventilado. Durante el funcionamiento del terminal, éste genera una pequeña cantidad de ozono. Un olor desagradable puede salir del terminal si funciona de manera intensa en un local mal ventilado. Para un uso seguro, instale siempre el terminal en un local bien ventilado.

#### Información de seguridad

Al utilizar el terminal, siga las siguientes medidas de seguridad.

#### Medidas durante su utilización

En este documento se utilizan los siguientes símbolos:

<b>ADVERTENCIA:</b>	<b>Indica una situación potencialmente peligrosa que puede entrañar un riesgo de muerte o de daños serios si no se siguen las instrucciones.</b>
<b>ADVERTENCIA:</b>	Indica una situación potencialmente peligrosa que podría resultar en daños personales menores o moderados o para el terminal si no se siguen las instrucciones.



#### **ADVERTENCIA:**

- Conecte el cable de alimentación directamente al enchufe y no use una extensión de cable.
- Desconecte el enchufe (tirando del enchufe y no del cable) si el cable de alimentación o el enchufe se desgasta o resulta dañado.
- Para evitar descargas eléctricas o exposiciones a radiaciones peligrosas, no retire ninguna tapa o tornillo sino sólo aquellos especificados en las instrucciones de funcionamiento.
- Apague el terminal y desconecte el cable de alimentación (tirando del enchufe y no del cable) si se da alguna de las siguientes condiciones:
  - Se derrama algo sobre el terminal.
  - Cree que el terminal necesita una reparación.
  - La tapa del terminal ha sufrido algún daño.
- No queme el tóner derramado o usado. El polvo del tóner puede inflamarse si se expone a una llama
- Los cartuchos usados pueden llevarse a un distribuidor autorizado o a lugares apropiados de recogida.
- Deshágase de los cartuchos de tóner usados (o el tubo) siguiendo la normativa local.

**ADVERTENCIA**

- Proteja el terminal de la humedad o clima húmedo como la lluvia, la nieve, etc.
- Desconecte el cable de alimentación del enchufe antes de desplazar el terminal. Al desplazar el terminal, asegúrese de que el cable de alimentación no queda por debajo del mismo y resulta dañado.
- Al desconectar el cable de alimentación, tire del enchufe y no del cable.
- No permita que entren clips, grapas u otras pequeñas piezas metálicas dentro del terminal.
- Mantenga fuera del alcance de los niños el tóner (ya sea usado o nuevo), el cartucho de tóner (o el tubo), la tinta (usada o nueva) o el cartucho de tinta.
- Tenga cuidado de no cortarse con los bordes afilados cuando introduzca la mano para sacar las hojas de papel u originales atascados.
- Debido a razones medioambientales, no se deshaga del terminal o de los restos de consumibles utilizando su contenedor doméstico habitual. Para este efecto puede llevar el terminal o sus consumibles a un distribuidor autorizado o a los lugares apropiados de recogida.
- Nuestros productos han sido concebidos cumpliendo con los más altos estándares de calidad y funcionalidad y por ello le recomendamos que sólo utilice los accesorios y consumibles disponibles en un distribuidor autorizado.

**Alimentación eléctrica**

---

El enchufe de corriente debe estar situado cerca del terminal y tener fácil acceso.

**Normas para la utilización de los símbolos**

---

**ADVERTENCIA:**

Avisos de seguridad importantes.

Ignorar estos avisos puede resultar en daños serios o incluso en la muerte. Asegúrese de leer estos avisos. Se pueden encontrar en la sección información de seguridad de esta guía.

**ADVERTENCIA**

Avisos de seguridad importantes.

Ignorar estos avisos podría resultar en daños menores o moderados o en daños para el terminal o la propiedad. Asegúrese de leer estos avisos. Pueden encontrarse en la sección información de seguridad de esta guía.

# Medio ambiente

La conservación del medio ambiente es una preocupación esencial del fabricante. El fabricante desea explotar instalaciones que respeten el medio ambiente por esto, ha optado por integrar el respeto del medio ambiente en el conjunto del ciclo de vida de sus productos, de la fase de fabricación a la puesta en servicio, uso y eliminación.

**El embalaje**

---



La presencia del logotipo (punto verde) significa que se paga una contribución a un organismo nacional aprobado, para mejorar las infraestructuras de recuperación y de reciclaje de los embalajes.

Para facilitar este reciclaje, respete las reglas de clasificación establecidas localmente para este tipo de desechos.

**Las pilas y las baterías**

---

Si su producto contiene pilas o baterías, estas últimas se deben depositar en los puntos de colecta designados.

## El producto



La basura tachada pegada en el producto significa que pertenecen a la familia de los equipos eléctricos y electrónicos.

Por esto, la reglamentación europea le pide que proceda a su colecta selectiva:

- El los puntos de distribución en caso de compra de un equipo equivalente.
- En los puntos de colecta puestos a su disposición localmente (depósito de basura, colecta selectiva, etc.).

De esta manera participará al reciclaje y la valoración de los desechos de los equipos eléctricos y electrónicos que pueden tener efectos potencialmente negativos en el medio ambiente y en la salud humana.

# Licencia de uso del software

LEA ATENTAMENTE TODOS LOS TÉRMINOS Y CONDICIONES DE ESTA LICENCIA ANTES DE ABRIR EL SOBRE SELLADO QUE CONTIENE EL SOFTWARE. LA APERTURA DE ESTE SOBRE IMPLICA SU ACEPTACIÓN DE ESTOS TÉRMINOS Y CONDICIONES.

Si no acepta los términos de esta licencia, por favor devuelva a su vendedor el embalaje del DVD-ROM, sin haberlo abierto, así como los otros componentes del producto. El precio que haya pagado por este producto se le reembolsará. Ningún reembolso se efectuará para los productos que tengan el sello del embalaje del DVD-ROM roto o si faltan componentes o cuando la demanda de reembolso se efectúa después de un periodo de diez (10) días a partir de la fecha de la entrega, la copia de su recibo da fe.

## Definición

El software designa los programas y la documentación asociada.

## Licencia

- Esta licencia le permite usar el software en ordenadores personales conectados a una red local. Sólo tiene el derecho de usar el software para imprimir en un solo terminal multifunción, no puede prestarlo o conceder a terceros el uso del software.
- Tiene la autorización de efectuar una copia de seguridad.
- Esta licencia no es exclusiva y no puede ser transferida.

## Propiedad

El fabricante o sus proveedores poseen el derecho de propiedad del software. Sólo usted es propietario del DVD-ROM. No debe modificar, adaptar, descompilar, traducir, crear una obra dedicada, alquilar o vender el software o la documentación. Todos los derechos no explícitamente concedidos, están reservados por el fabricante o sus proveedores.

## Duración

Esta licencia permanece en vigor hasta su rescisión. Puede anularla destruyendo el programa y la documentación así como todas sus copias. Esta licencia sería anulada automáticamente si no respeta los términos de esta licencia. En caso de rescisión, se compromete a destruir todas las copias del programa y de la documentación.

## Garantía

El software se suministra "en el estado" sin ninguna garantía, ni explícita, ni implícita, y esto de manera no limitativa, sin garantía de adaptación comercial, ni de aptitud a un uso particular, todos los riesgos relativos a resultados y rendimiento de este software son asumidos por el comprador. Si el programa tuviera un defecto, todos los gastos de reparación o de puesta en servicio quedan a cargo del comprador.

Sin embargo, el titular de la licencia se beneficia de la garantía siguiente: el DVD-ROM en el que está grabado el software está garantizado, sin defecto material o de fabricación en las condiciones de uso y de funcionamiento

normales durante un periodo de noventa (90) días a partir de la fecha de entrega, la copia de su recibo da fe. En el caso en que el defecto del DVD-ROM se produjera después de un accidente o de un uso incorrecto, este DVD-ROM no sería reemplazado dentro del marco de la garantía.

## Responsabilidad

---

Si el DVD-ROM no funciona correctamente, envíelo al distribuidor junto con una copia del recibo. Es tan solo la responsabilidad del distribuidor de reemplazar el DVD-ROM. Ni el fabricante ni nadie implicado en la creación, la realización, la comercialización o la entrega de este programa podría ser responsable de los daños directos, indirectos o inmateriales, tales como, sin que esta lista sea limitativa, pérdida de informaciones, pérdida de tiempo, pérdida de explotación, pérdida de ingresos, pérdida de clientela, con motivo del uso o de la incapacidad de uso de este programa. Evolución

Dentro de su preocupación constante de mejora, el fabricante se reserva el derecho de hacer progresar las características del software sin aviso previo. En caso de modificación, su derecho de uso no le da el derecho a actualizaciones gratuitas.

## Ley aplicable

---

Esta licencia está regida por el derecho francés. Todo litigio ocasionado por la interpretación o la ejecución de esta licencia será sometido a los Tribunales de París.

Dada la evolución permanente de la tecnología, el fabricante se reserva el derecho de modificar las características técnicas indicadas para este producto, en todo momento, sin aviso previo, o a interrumpir la producción de este producto. Todos los nombres de los productos y marcas que puedan ser marcas registradas por sus poseedores respectivos están reconocidos en esta documentación.

## Marcas registradas

---

Debido a la evolución técnica, el fabricante se reserva el derecho, en todo momento y sin aviso previo, de modificar las características técnicas anunciadas para este producto o a interrumpir la fabricación del mismo. Companion Suite Pro es una marca registrada de Sagem Communications.

Adobe® y los productos Adobe® citados son marcas registradas de Adobe Systems Incorporated.

PaperPort11SE es una marca registrada de ScanSoft.

Microsoft® Windows 2000®, Microsoft® Windows Server 2003®, Microsoft® Windows XP®, Microsoft® Windows Vista® y otros productos de Microsoft® citados son marcas registradas de Microsoft Corporation registradas o utilizadas en Estados Unidos u otros países.

Todas las otras marcas o nombres de productos citados como ejemplo o como información son marcas registradas por sus poseedores respectivos.

Las informaciones contenidas en esta guía de usuario están sujetas a modificación sin previo aviso.

## Se prohíben las reproducciones

---

No copie ni imprima nunca documentos cuya reproducción está prohibida por la ley.

La impresión y la copia de los siguientes documentos generalmente están prohibidas por la ley:

- billetes de banco,
- cheques,
- obligaciones,
- certificados de depósito,
- títulos de préstamo,
- pasaportes,
- permisos de conducir.

La lista anterior sólo se da a modo de ejemplo, pero no es exhaustiva. En caso de duda sobre la legalidad de la copia o de la impresión de ciertos documentos, diríjase a un asesor jurídico.

<b>DIRETTIVE DI SICUREZZA</b>	<b>46</b>
<b>Gentile cliente</b>	<b>46</b>
<b>Sicurezza</b>	<b>46</b>
<i>Direttive di sicurezza</i>	46
EMC	47
<i>Nota per gli utenti negli Stati Uniti d'America</i>	47
<i>Dichiarazione di conformità</i>	47
<i>Conformità EME per il Canada</i>	47
<i>Informazione di sicurezza sul laser</i>	47
<i>Europa/Asia</i>	48
<i>America settentrionale</i>	48
<i>Informazioni normative</i>	48
<i>Autorizzazioni in Europa</i>	48
<i>Posizione sull'apparecchio delle etichette relative alla sicurezza</i>	48
<i>Simboli dell'interruttore dell'alimentazione</i>	49
<b>Installazione</b>	<b>50</b>
<i>Condizioni di posizionamento</i>	50
<i>Precauzioni per l'uso</i>	50
<i>Informazione di sicurezza</i>	51
<i>Sicurezza durante il funzionamento</i>	51
<i>Alimentazione elettrica</i>	52
<i>Regole per l'utilizzo dei simboli</i>	52
<b>Ambiente</b>	<b>52</b>
<i>L'imballaggio</i>	52
<i>Le pile e batterie</i>	52
<i>Il prodotto</i>	53
<b>Licenza del software</b>	<b>53</b>
<i>Definizione</i>	53
<i>Licenza</i>	53
<i>Proprietà</i>	53
<i>Durata</i>	53
<i>Garanzia</i>	53
<i>Responsabilità</i>	54
<i>Evoluzione</i>	54
<i>Marchi depositati</i>	54
<i>Riproduzioni vietate</i>	54

# Direttive di Sicurezza

## Gentile cliente

Acquistando questo terminale, Lei ha scelto un prodotto di alta qualità. Suo dispositivo è in grado di soddisfare le varie esigenze di un ufficio moderno.

Questo prodotto le consente di scannerizzare a colori, di inviare e ricevere fax, di stampare e di copiare in bianco e nero (**pagepro 1490MF**). Può inoltre collegare questo apparecchio multifunzione al vostro PC (Microsoft Windows 2000/XP/Vista).

Installare il software incluso per utilizzare l'apparecchio multifunzione come stampante. Inoltre, sarà possibile scannerizzare, modificare e registrare documenti, attraverso il PC. Per la comunicazione con un computer personale wireless può disporre di una connessione con adattatore Wireless Local Area Network (WLAN) (dispositivo opzionale).

WLAN è un'opzione che funziona unicamente con un adattatore originale che potete acquistare presso il vostro rivenditore.

pagepro 1490MF:

L'apparecchiatura multifunzione consente di connettere una base USB-DECT ad uno dei porti USB del dispositivo e regola i ricevitori DECT di questa base. Effettuare e ricevere chiamate attraverso i ricevitori DECT registrati utilizzando la linea telefonica dell'apparecchiatura multifunzione (usare il telefono senza fili standard).

La comunicazione voce è un'opzione che funziona unicamente con un adattatore specifico USB DECT che potete acquistare presso il vostro rivenditore.

Grazie al navigatore e all'accesso multitask, è potente pratico e facile da usare.

MFP Laser terminali multifunzione illustrati dispongono di uno scanner a 600 dpi e di una stampante laser in bianco e nero con velocità di stampa pari a 20 ppm. Il software Companion Suite Pro incluso, consente di utilizzare il terminale come scanner e come stampante da un computer personale e di gestire in modo completo il vostro terminale multifunzione.

## Sicurezza

### *Direttive di sicurezza*

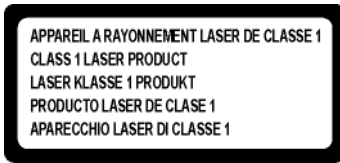
---

Prima di accendere il proprio terminale, verificare che la presa che si sta collegando sia conforme alle indicazioni mostrate sull'etichetta ( voltaggio, corrente, frequenza sulla rete) posta sul terminale. Questa apparecchiatura deve essere collegata ad un circuito protetto da messa a terra. Il terminale non può essere installato direttamente per terra.

Le batterie e le batterie ricaricabili, confezioni e apparecchiatura elettrica e elettromagnetica (EEE), deve essere gettato, come specificato dalle istruzioni del capitolo AMBIENTE di questo manuale.

A causa del modello del terminale, il cavo di alimentazione è il solo modo per scollegare il terminale dalla rete elettrica per questo è importante mettere in atto le seguenti misure di sicurezza: Questa apparecchiatura deve essere collegata ad una presa posta nelle vicinanze. La presa deve essere di facile accesso.

Il terminale è fornito con un cavo di alimentazione con messa a terra. E' imperativo collegare una cavo con messa a terra ad una presa con messa terra collegata alla terra dell'immobile



**Riparazioni-manutenzione:** Riparazione e manutenzione devono essere effettuate da un tecnico qualificato. Non esistono parti riparabili dall'utente all'interno del terminale. Per ridurre il rischio di scossa elettrica, non si dovrebbero effettuare queste operazioni, perchè aprendo o rimuovendo gli sportelli, ci si può esporre ai seguenti pericoli:

- Il raggio del laser può causare danni irreversibili agli occhi.
- Evitare il contatto con parti alimentate perchè potrebbe portare alla scossa elettrica con conseguenze irreversibile.

## EMC

### Nota per gli utenti negli Stati Uniti d'America

Il dispositivo è stato testato e trovato conforme ai limiti stabiliti per i dispositivi digitali Classe B, ai sensi della Parte 15 delle normative FCC Rules. I limiti sono stati ideati per fornire una ragionevole protezione contro le interferenze dannose nelle installazioni residenziali.

Il dispositivo genera, utilizza e irradia energia con frequenza radio e, se non viene installato e utilizzato nel rispetto delle istruzioni, potrebbe provocare interferenze dannose per le comunicazioni radio. Non vi è, tuttavia, garanzia che l'interferenza non si verifichi in installazioni particolari.

Se il presente dispositivo provoca interferenze sulla ricezione radio o televisiva, determinabili tramite accensione e spegnimento del dispositivo, si consiglia all'utente di correggere l'interferenza applicando una o più misure riportate di seguito:

1. Modificare l'orientamento dell'antenna ricevente.
2. Aumentare la separazione tra il dispositivo e la ricevente.
3. Collegare il dispositivo a una uscita presente su un circuito diverso da quello a cui è collegata la ricevente.
4. Consultare il rivenditore o un tecnico radiotelevisivo esperto.

### Dichiarazione di conformità

Questo dispositivo risponde alla Parte 15 delle normative FCC. Il funzionamento è soggetto alle due seguenti condizioni:

1. Questo dispositivo non può causare interferenze nocive, e
2. questo dispositivo deve accettare tutte le interferenze ricevute, comprese le interferenze che provocano un funzionamento indesiderato.

### Conformità EME per il Canada

Questo apparecchio digitale di classe "B" è conforme alla normativa ICES-003 del Canada.

Cet appareil numérique de la classe B est conforme à la norme NMB-003 du Canada.

### Informazione di sicurezza sul laser

**ATTENZIONE:** L'uso dei controlli, regolazioni o prestazioni di procedure diversi da quelli specificati in questa guida possono provocare un'esposizione pericolosa alla luce.

Questa apparecchiatura risponde agli standard di sicurezza internazionale ed è classificato come prodotto laser di classe 1.

Con riferimento specifica ai laser, questa apparecchiatura risponde agli standard di sicurezza internazionale ed è classificato come prodotto laser di classe 1. Non emette luce pericolosa, visto che il raggio è completamente richiuso durante tutte le fasi del funzionamento o manutenzione clienti.



## Europa/Asia

Questo apparecchio è conforme allo standard IEC 60825-1:1993+A1:1997+A2:2001, è classificato come dispositivo laser di classe 1, sicuro per l'uso in ufficio e nell'ambito dell'elaborazione dei dati. Contiene un diodo laser di classe 3B, a 10.72 mW, 770-795 nm e un altro di classe 1 LEDs (280 µW a 639 nm).

Il contatto diretto, o indiretto riflesso, di questo laser con gli occhi potrebbe causare gravi danni alla vista. Sono stati ideati meccanismi di blocco e sono in uso precauzioni per la sicurezza che prevengono qualsiasi possibile esposizione dell'operatore ai raggi laser.

## America settentrionale

Normative CDRH.

Questo dispositivo è conforme agli standard di prestazione FDA per i prodotti laser tranne per le deviazioni conformemente all'avviso No.50 per laser, del 24 giugno 2007 e contiene 1 diodo laser di classe 3B, 10.72 milliwatt, lunghezza d'onda 770-795 nanometri e un altro di classe 1 LEDs (280 µW a 639 nm).

Il dispositivo non emette luci dannose, in quanto i raggi sono completamente circoscritti al suo interno in tutte le modalità e durante tutte le operazioni di utilizzo e manutenzione.

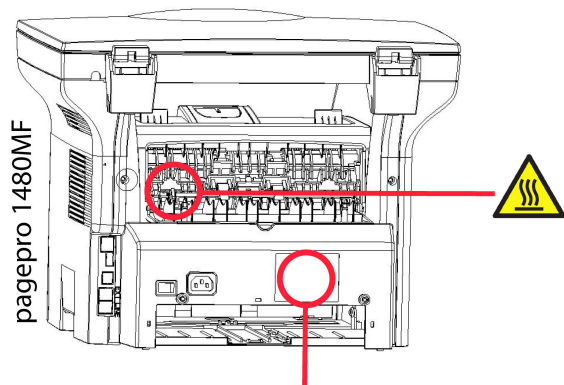
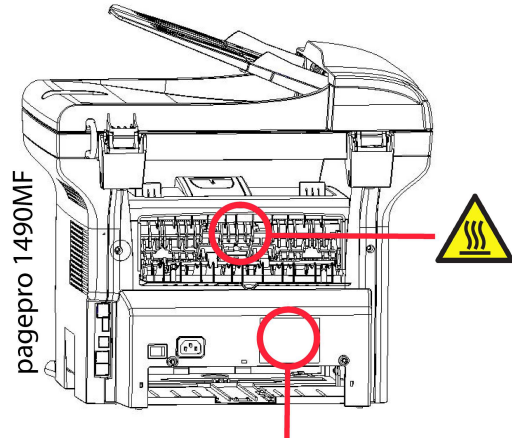
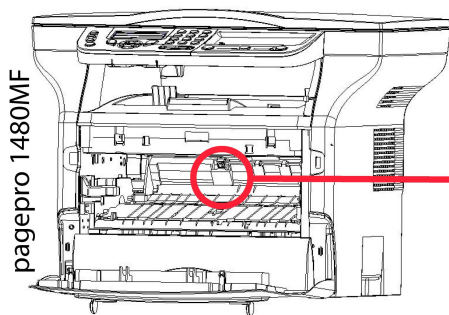
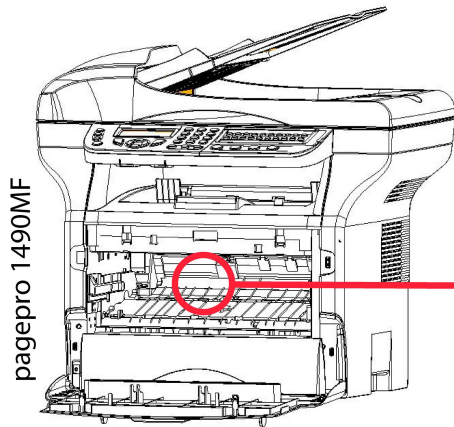
## Informazioni normative

### Autorizzazioni in Europa

CE	Il marchio CE si applica a questo prodotto, simbolizza la dichiarazione di conformità nell'applicare le direttive dell'Unione Europea, come le date indicate:
12 dicembre 2006:	Direttiva del Consiglio 2006/95/EC e successive modifiche e integrazioni. Approssimazione degli stati membri a proposito delle apparecchiature a basso voltaggio.
15 dicembre 2004:	Direttiva del Consiglio 2004/108/EC e successive modifiche e integrazioni. Approssimazione degli stati membri a proposito delle compatibilità elettromagnetica.
9 marzo 1999:	Direttiva del Consiglio 99/5/EC sulle apparecchiature radio e telecomunicazioni e riconoscimento reciproco della conformità.

## Posizione sull'apparecchio delle etichette relative alla sicurezza

Il terminale ha etichette di avvertenza nelle posizioni indicate di seguito. Per la propria sicurezza, non si devono mai toccare queste superfici quando si rimuove un foglio inceppato o quando si sostituisce la cartuccia del toner.





APPAREIL A RAYONNEMENT LASER DE CLASSE 1  
CLASS 1 LASER PRODUCT  
LASER KLASSE 1 PRODUKT  
PRODUCTO LASER DE CLASE 1  
APARECCHIO LASER DI CLASSE 1

APPAREIL A RAYONNEMENT LASER DE CLASSE 1  
CLASS 1 LASER PRODUCT  
LASER KLASSE 1 PRODUKT  
PRODUCTO LASER DE CLASE 1  
APARECCHIO LASER DI CLASSE 1

<b>CAUTION</b>	Hot surface avoid contact
<b>ATTENTION</b>	Surface chaude Évitez tout contact
<b>ACHTUNG</b>	Heiße Oberfläche Kontakt vermeiden
<b>ATTENZIONE</b>	Superficie calda Evitare il contatto
<b>PRECAUCIÓN</b>	No tocar. Zona muy caliente.
<b>VOORZICHTIG</b>	Heet oppervlak vermijd contact
<b>FÖRSIKTIGT</b>	Het yta. Rör ej.
<b>FORSIGTIG</b>	Varm overflade, undgå berøring
<b>FORSIKTIG</b>	Varm overflade, unngå kontakt
<b>OSTRZEŻENIE</b>	Gorąca powierzchnia nie dotykać
<b>CUIDADO</b>	Superficie quente Evitar contacto
<b>POZOR</b>	Horký povrch nedotýkat se
<b>FIGYELEM</b>	Ne érintse meg a forró felületeket!
<b>TÄRKEÄÄ</b>	Kuuma pinta älä koske.
<b>ОСТОРОЖНО</b>	Горячая поверхность Избегайте контакта
<b>注意</b>	表面高温、请勿接触。
<b>注意</b>	表面高温請勿碰觸
<b>고은주의</b>	표면이 뜨거우므로 만지지 않도록 주의하십시오.
<b>注意</b>	表面が熱くなっていますので触らないでください。

## Simboli dell'interruttore dell'alimentazione

In conformità alla IEC 60417, questo apparecchio usa i seguenti simboli per l'interruttore principale:

-  indica POWER ON.
-  indica POWER OFF.

# Italiano Installazione

## Condizioni di posizionamento

---

Scegliendo una posizione appropriata, si preserva la longevità del terminale. Verifichi che la posizione scelta presenti le seguenti caratteristiche:

- Scelga un luogo ben ventilato.
- Assicurarsi di non ostruire le griglie di ventilazione poste sui lati destro e sinistro della periferica. Durante l'installazione assicurarsi di collocare il terminale a trenta centimetri dagli oggetti in prossimità in modo tutti gli opercoli possano essere aperti facilmente.
- Si assicuri che il luogo scelto non presenti nessun rischio di emissione di ammoniaca o altri gas organici.
- La presa elettrica con messa a terra (vedere le istruzioni di sicurezza al capitolo **Sicurezza**) sulla quale si intende collegare l'apparecchio deve essere vicino ad esso e facilmente accessibile.
- **Si assicuri che il terminale non sia esposto direttamente ai raggi solari.**
- Si assicuri di non posizionare il terminale in una zona esposta a correnti d'aria generate da un sistema di condizionamento o di ventilazione, né in una zona soggetta a grandi differenze di temperatura o di umidità.
- Scelga una superficie solida e orizzontale su cui il terminale non venga esposto a forti vibrazioni.
- **Posizionare il terminale lontano da qualsiasi oggetto che possa ostruire le griglie di ventilazione.**
- Evitare di posizionare il terminale in prossimità di tende o altri oggetti infiammabili.
- Scelga un luogo privo di schizzi d'acqua o di qualsiasi altro liquido.
- Si assicuri che il luogo scelto sia asciutto, pulito e senza polvere.

## Precauzioni per l'uso

---

Osservare le seguenti importanti precauzioni per l'uso del terminale.

Ambiente operativo:

- Temperatura: Da 10 °C a 27 °C [50 °F a 80.6 °F] in un ambiente con un umidità tra 15 e 80% (fino a 32°C [89.6 °F] in un ambiente con un umidità tra 15 e 54%).

Terminale:

La seguente sezione descrive le precauzioni da prendere per l'uso del terminale:

- Non spegnere e non aprire mai gli sportelli del terminale durante la stampa.
- Non utilizzare mai gas o liquidi infiammabili o oggetti che possono provocare campi magnetici a prossimità del terminale.
- Quando si scollega il cavo dell'alimentazione, afferrare sempre la spina evitando di tirare il cavo. Un cavo danneggiato rappresenta un rischio potenziale d'incendio o di scossa elettrica.
- Non toccare mai il cavo con le mani umide. Si rischia seriamente di prendere una scarica elettrica.
- Collegare il cavo dell'alimentazione all'apparecchio. Altrimenti, ciò può provocare un rischio d'incendio o di scossa elettrica.
- Scollegare sempre il cavo dell'alimentazione quando si prevede di non utilizzare il terminale per un lungo periodo.
- Non posare mai oggetti sul cavo dell'alimentazione, non piegarlo e non strapparlo. Ciò può comportare un rischio d'incendio o di scossa elettrica.
- Verificare sempre che il terminale non poggi sul cavo dell'alimentazione o sui cavi di comunicazione di qualsiasi altro apparecchio elettrico. Verificare anche che nessun cavo o cordone possa essere introdotto all'interno del meccanismo del terminale. Ciò esporrebbe a rischio di malfunzionamento del terminale e a rischio d'incendio.
- Verificare che la stampante sia spenta prima di collegare o scollegare un cavo d'interfaccia (utilizzare cavi d'interfaccia schermati).
- Non cercare mai di asportare un pannello o un coperchio fisso. Il terminale contiene dei circuiti ad alta tensione. Qualsiasi contatto con tali circuiti può generare in una scossa elettrica.
- Non cercare mai di modificare il terminale. Ciò può comportare un rischio d'incendio o di scossa elettrica.
- Verificare sempre che spilli, ganci o altri piccoli pezzi metallici non possano penetrare nel terminale attraverso le griglie di areazione o altre aperture. Ciò può comportare un rischio d'incendio o di scossa elettrica.

- Evitare che acqua o qualsiasi altro liquido venga versato sul terminale o in prossimità dello stesso. Altrimenti, ciò può provocare un rischio d'incendio o di scossa elettrica.
- Se liquidi o pezzi metallici penetrano accidentalmente nel terminale, è necessario metterlo immediatamente fuori tensione scollegando il cavo dell'alimentazione e chiamare il rivenditore. Altrimenti, ciò può provocare un rischio d'incendio o di scossa elettrica.
- In caso di emissione di calore, fumo, odore insolito o rumore anomalo, mettere il terminale fuori tensione scollegando immediatamente il cavo dell'alimentazione e chiamare il rivenditore. Altrimenti, ciò può provocare un rischio d'incendio o di scossa elettrica.
- Evitare di utilizzare il terminale durante un "temporale elettrico", ciò può rappresentare un rischio di scossa elettrica causata dal fulmine.
- Non spostare mai il terminale durante la stampa.
- Sollevare il terminale, per spostarlo.



Posizionare il terminale in un locale areato in modo corretto. Il funzionamento della stampante genera una piccola quantità di ozono. Un odore sgradevole può essere percepibile se la stampante funziona in modo intenso in un locale non areato in modo corretto. Per un utilizzo sicuro è pertanto opportuno posizionare il terminale in un locale correttamente ventilato.

## Informazione di sicurezza

Durante l'utilizzo del prodotto le precauzioni di sicurezza devono sempre essere seguite con attenzione.

### Sicurezza durante il funzionamento

In queste informazioni si trovano i seguenti simboli:

<b>AVVERTENZA</b>	Indica situazioni potenzialmente pericolose che, nel caso le istruzioni non vengano seguite, possono provocare ferite gravi o morte.
<b>ATTENZIONE:</b>	<i>Indica situazioni potenzialmente pericolose che, nel caso le istruzioni non vengano seguite, possono provocare leggere ferite o danni.</i>

### AVVERTENZA

- Collegare il cavo di alimentazione direttamente alla presa murale e non utilizzare mai una prolunga.
- Scollegare la presa dell'alimentazione (tirando la presa e non il cavo) se il cavo di alimentazione o presa logorandola o comunque danneggiandola.
- Per evitare il pericolo di una scossa elettrica o dell'esposizione alla radiazione del laser, non rimuovere nessun coperchio o vite oltre a quelli specificati nelle istruzioni operative.
- Spegner e scollegare la presa dell'alimentazione (tirando la presa e non il cavo) se esiste una qualsiasi delle seguenti condizioni:
  - Si versa qualcosa sul prodotto.
  - Si pensa che il prodotto necessiti manutenzione o deve essere riparato.
  - Il coperchio del prodotto è stato danneggiato.
- Mai incenerire del toner versato o toner usato. La polvere del toner può infiammarsi se esposto alla fiamma diretta.
- Lo smaltimento può venire effettuato dai rivenditori autorizzati o negli appropriati centri di raccolta.
- Smaltire le cartucce di toner usate (o contenitori) secondo la normativa locale.

**! ATTENZIONE**

- Proteggere il prodotto dall'umidità o pioggia, neve ecc.
- Scollegare il cavo di alimentazione dalla presa murale prima di spostare il prodotto. Spostando il prodotto, si faccia attenzione a non danneggiare il cavo di alimentazione sotto il prodotto.
- Quando si scollega il cavo di alimentazione dalla presa murale, tirare sempre a partire dalla presa (non il cavo).
- Non fare cadere all'interno del prodotto graffette, puntine o altri piccoli oggetti metallici.
- Tenere il toner (usato o meno), la cartuccia (o contenitore), l'inchiostro (usato o meno) o una cartuccia d'inchiostro fuori della portata dei bambini.
- Fare attenzione a non tagliarsi alle estremità affilate quando si deve estrarre dal prodotto un foglio o documento inceppato.
- Per ragioni ambientali, non smaltire il prodotto o i residui dei materiali di consumo nei punti di raccolta dei rifiuti domestici. Lo smaltimento può venire effettuato dai rivenditori autorizzati o negli appropriati centri di raccolta.
- I nostri prodotti sono concepiti secondo standard di alta qualità e una funzionalità e consigliamo di utilizzare materiali di consumo disponibili presso rivenditori autorizzati.

**Alimentazione elettrica**

La presa deve essere installata in prossimità del prodotto e di facile accessibilità.

**Regole per l'utilizzo dei simboli****! AVVERTENZA**

Indica importanti note di sicurezza.

Ignorare queste note potrebbe causare gravi ferite o pericolo di morte. Assicurarsi di aver letto queste note. Possono essere trovate nella sezione Informazione di sicurezza di questo manuale.

**! ATTENZIONE**

Indica importanti note di sicurezza.

Ignorare queste note potrebbe provocare ferite leggere o danni al terminale o alle proprietà. Assicurarsi di aver letto queste note. Possono essere trovate nella sezione Informazione di sicurezza di questo manuale.

# Ambiente

La protezione dell'ambiente è una preoccupazione essenziale del fabbricante. Il fabbricante ha la volontà di usufruire di impianti rispettosi dell'ambiente ed ha scelto di integrare la dimensione ecologica nell'insieme del ciclo di vita dei propri prodotti, dalle fasi di fabbricazione, messa in servizio, utilizzo fino allo smaltimento.

**L'imballaggio**

La presenza del logo (punto verde) significa che viene versato un contributo ad un organismo ufficiale certificato per il miglioramento delle infrastrutture di raccolta e riciclaggio degli imballaggi.

Per facilitare il riciclaggio, rispettate le regole di raccolta differenziata vigenti localmente per questo tipo di rifiuti.

**Le pile e batterie**

Se il vostro prodotto contiene pile o batterie, esse devono essere depositate presso i punti di raccolta stabiliti.

## Il prodotto



Il simbolo del contenitore di spazzatura su ruote barrato, riportato sul prodotto indica che quest'ultimo appartiene alla categoria delle apparecchiature elettriche ed elettroniche (AEE).

La normativa europea richiede che si proceda alla raccolta differenziata delle (AEE):

- Nei punti di vendita, in caso di acquisto di un'apparecchiatura equivalente.
- Nei punti di raccolta messi a disposizione localmente (Centri di raccolta dei rifiuti, discariche, ecc.)

In tal modo, partecipate al riciclaggio e alla valorizzazione dei rifiuti delle attrezzature elettriche o elettroniche che hanno potenziali impatti negativi sull'ambiente e sulla salute.

Lo smaltimento abusivo comporta l'applicazione delle sanzioni amministrative di cui all'articolo 50 e seguenti D. Lgs. n° 22/1997 ai sensi dell'art. 13 D.Lgs. 25 Luglio 2005 n°151.

# Licenza del software

LEGGERE ATTENTAMENTE TUTTI I TERMINI E CONDIZIONI DELLA LICENZA PRESENTE PRIMA DELL'APERTURA DELLA BUSTA SIGILLATA CHE CONTIENE IL SOFTWARE. APERTURA QUESTA BUSTA INDICA CHE SI ACCETTANO QUESTI TERMINI E CONDIZIONI.

Nel caso non si dovessero accettare i termini di questa licenza, la confezione del DVD-ROM dovrebbe essere resa al rivenditore non aperta, con gli altri componenti del prodotto. Il prezzo di acquisto del prodotto sarà risarcito. Nessun risarcimento verrà effettuato se la confezione DVD-ROM è stata aperta, se mancano dei componenti o se la richiesta di rimborso è effettuata dieci (10) giorni oltre la data di acquisto, lo scontrino come prova di acquisto.

## Definizione

Il software indica i programmi e la documentazione associata.

## Licenza

- Questa licenza consente di usare questo Software sui pc della rete locale. E' consentito usare questo software per stampare su un terminale multifunzione, si può prestare il software o autorizzare chiunque ad usarlo.
- Si può fare una copia di salvaguardia.
- Questa licenza è non esclusiva e non trasferibile.

## Proprietà

Il fabbricante o il suo fornitore mantengono i diritti di proprietà sul software. Si diventa solo i proprietari del DVD-ROM. Non è possibile modificare, adattare, ricompilare, tradurre, creare qualsiasi derivato noleggiare o vendere il software o la documentazione. Qualsiasi diritto non approvato esplicitamente è riservato al fabbricante o ai suoi fornitori.

## Durata

Questa licenza resta valida fino alla cancellazione. Si può cancellarla distruggendo il programma e la documentazione così come loro copie. Questa licenza sarà cancellata automaticamente in caso non si rispettino i termini di questa licenza. Se la licenza è resa non valida, si concorda di distruggere tutte le copie del programma e della documentazione associata.

## Garanzia

Il software è fornito "come tale" senza garanzie o altro, sebbene espresse o implicite, compreso e non limitatamente a qualsiasi garanzia di commercializzazione o adattamento a scopi particolari; tutti i rischi riguardano i risultati e la

prestazione del software sono assunti dall'acquirente. Nel caso che il programma risulti difettoso, tutte le riparazioni e i costi di assistenza saranno coperti dall'acquirente.

Tuttavia il detentore della licenza si avvale delle seguenti garanzie: garantiamo che il DVD-ROM sul quale il software è stato registrato non presenta nessun difetto hardware o di fabbricazione se usato in condizioni normali, la garanzia è valida per novanta (90) giorni dalla data di consegna, la copia dello scontrino come prova di acquisto. In caso di difetto del DVD-ROM dovuto a incidente o pessima utilizzazione, il DVD-ROM non sarà sostituito secondo la garanzia.

## Responsabilità

---

Se il DVD-ROM non funziona correttamente, inviarlo al rivenditore insieme ad una copia dello scontrino. E' sola responsabilità del rivenditore di sostituire il DVD-ROM. Nessuno, neanche il fabbricante coinvolto nella creazione, realizzazione, commercializzazione e consegna di questo programma sarebbe responsabile per danni immateriali, diretti o indiretti, come, senza essere limitato a, perdita di informazioni, di tempo, di esecuzione, redditi, clienti a causa dell'utilizzo o l'impossibilità di utilizzo del programma.

## Evoluzione

---

Con una preoccupazione costante al miglioramento, il fabbricante si riserva il diritto di modificare le specifiche del software senza previa notifica. Nel caso di modifica, i diritti di utente non danno accesso ad aggiornamenti gratuiti. Legge applicabile

Questa licenza applica la legislazione francese. Qualsiasi controversia sull'interpretazione o messa in esecuzione di questa licenza sarà sottoposta al foro di Parigi.

Data la continua evoluzione tecnologica, il fabbricante di riserva il diritto di modificare le specifiche tecniche indicate per questo prodotto, in qualsiasi momento, senza previa notifica e / o arrestare la fabbricazione del prodotto stesso. Tutti i nomi e i marchi del prodotto che possano essere marchi registrati dei loro rispettivi proprietari vengono riconosciuti nel presente documento.

## Marchi depositati

---

Data la continua evoluzione tecnologica, il fabbricante di riserva il diritto di modificare le specifiche tecniche indicate per questo prodotto, in qualsiasi momento, senza previa notifica e / o arrestare la fabbricazione del prodotto stesso. Companion Suite Pro è un marchio registrato di Sagem Communications.

Adobe® e i prodotti Adobe® qui riferiti sono marchi registrati di Adobe Systems Incorporated.

PaperPort11SE è un marchio registrato di ScanSoft.

Microsoft® Windows 2000®, Microsoft® Windows Server 2003®, Microsoft® Windows XP®, Microsoft® Windows Vista® e qualsiasi altro prodotto Microsoft® riferiti qui sono marchi registrati della Microsoft Corporation registrati e/o usati negli Stati Uniti e/o in altri paesi.

Tutte gli altri marchi o prodotti riportati come esempio o per dare informazioni supplementari sono marchi registrati dei loro rispettivi proprietari.

Le informazioni contenute di questo manuale sono soggette a modifica senza previa notifica.

## Riproduzioni vietate

---

Non copiare o stampare nessun elemento di cui la riproduzione sia proibita dalla legge.

Copiare o stampare gli elementi seguenti è usualmente vietato dalle leggi in vigore:

- estratti conto;
- assegni;
- obbligazioni;
- partecipazioni azionarie;
- vaglia bancari;
- passaporti;
- patenti guida.

L'elenco fornito è solo una guida e non è esaustivo. Per qualsiasi domanda riguardante la legalità della copia o la stampa di certi elementi, si consulti il proprio legale.

<b>INSTRUÇÕES DE SEGURANÇA</b>	<b>56</b>
<b>Caro cliente</b>	<b>56</b>
<b>Segurança</b>	<b>56</b>
<i>Instruções de segurança</i>	56
EMC	57
<i>Nota aos utilizadores nos Estados Unidos da América</i>	57
<i>Declaração de conformidade</i>	57
<i>Conformidade EME para o Canadá</i>	57
<i>Informações de Segurança do Laser</i>	57
<i>Para a Europa/Ásia</i>	58
<i>Para a América do Norte</i>	58
<i>Informações Regulatórias</i>	58
<i>Certificações na Europa</i>	58
<i>Posição das etiquetas de segurança no aparelho</i>	59
<i>Símbolos do interruptor de alimentação</i>	59
<b>Instalação</b>	<b>60</b>
<i>Condições para a instalação</i>	60
<i>Precauções de utilização</i>	60
<i>Informações de Segurança</i>	61
<i>Segurança Durante a Operação</i>	61
<i>Alimentação de Energia</i>	62
<i>Regras para usar os símbolos</i>	62
<b>Ambiente</b>	<b>62</b>
<i>A embalagem</i>	62
<i>As pilhas e as baterias</i>	62
<i>O produto</i>	63
<b>Licença de uso do software</b>	<b>63</b>
<i>Definição</i>	63
<i>Licença</i>	63
<i>Propriedade</i>	63
<i>Duração</i>	63
<i>Garantia</i>	63
<i>Responsabilidade</i>	64
<i>Evolução</i>	64
<i>Lei aplicável</i>	64
<i>Marcas registradas</i>	64
<i>Cópias proibidas</i>	64



# INSTRUÇÕES DE SEGURANÇA

## Caro cliente

Ao comprar este terminal multifunções, você optou por um produto de qualidade. O seu aparelho satisfaz as várias especificidades de uma ferramenta informática moderna.

Este aparelho permite-lhe digitalizar documentos a cor, enviar fax, imprimir e copiar a preto e branco (**pagepro 1490MF**). Pode ligar o aparelho multifunções ao seu PC (Microsoft Windows/2000/XP/Vista).

Para utilizar o aparelho multifunções como impressora, instale o software que o acompanha. Além disso, através do seu PC, poderá digitalizar, editar e guardar documentos. Para a comunicação com um computador individual sem fio, dispõe de uma ligação com adaptador WLAN (equipamento opcional).

WLAN é uma opção que funciona apenas com um adaptador de origem que poderá obter junto do seu revendedor.

### **pagepro 1490MF:**

O terminal multifunções permite que você conecte uma base de USB-DECT a uma das portas USB do dispositivo e registre os telefones DECT a esta base. Você pode fazer e receber chamadas com os telefones DECT utilizando a linha telefônica do terminal multifuncional (uso do telefone sem fio padrão).

A comunicação por voz é um trabalho opcional com um plugue USB específico que você pode adquirir com seu revendedor.

Junte potência, usabilidade e simplicidade de utilização, graças ao seu navegador e ao seu acesso multi-tarefas.

Os MFP Laser terminais multifuncionais vêm com um scanner de 600 dpi e uma impressora laser preto e branco com uma velocidade de impressão de 20 ppm. O software Companion Suite Pro permite que você utilize seu terminal multifuncional como um scanner e uma impressora a partir de um computador pessoal. Também lhe permite gerir o seu terminal multifunções.

## Segurança

### *Instruções de segurança*

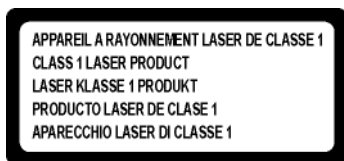
---

Antes de ligar o seu aparelho, verifique que a tomada de corrente à qual vai ligar o aparelho esteja conforma às indicações do rótulo sinalético exibido (tensão, corrente, frequência da rede elétrica). Este aparelho deve ser ligado a um esquema de alimentação monofásico. O aparelho não deve ser instalado no chão.

As pilhas e baterias, as embalagens e os equipamentos elétricos e eletrônicos (EEE), devem ser jogados no lixo em conformidade com as instruções do capítulo AMBIENTE deste manual.

Conforme o modelo do aparelho, a ficha de tomada de corrente do aparelho pode ser a única forma de o desligar da rede elétrica, sendo assim é imperativo aplicar as instruções seguintes: O aparelho deve ser ligado a uma tomada de corrente situada a proximidade. A tomada deve ficar de fácil acesso.

O seu aparelho é fornecido com um cabo equipado de uma ficha de corrente com terra. Uma ficha de corrente com terra deve ser imperativamente ligada a uma tomada de parede com uma terra ligada à terra de proteção do edifício.



**Reparação-manutenção:** Faça executar todas as intervenções de reparação e manutenção por um técnico qualificado. Nenhum dos elementos internos pode ser reparado pelo utilizador. Para evitar qualquer perigo de eletrocussão, não deve tentar proceder a essas operações, pois, ao abrir ou ao retirar as tampas, poderá expor-se a um duplo perigo:

- a intercepção dos raios laser pelo olho humano pode provocar ferimentos irremediáveis.
- o contato com as partes ligadas pode provocar um choque elétrico cujas conseqüências podem ser extremamente graves.

## EMC

### Nota aos utilizadores nos Estados Unidos da América

Este equipamento foi testado e concluiu-se que está em conformidade com os limites para um dispositivo digital da Classe B, de acordo com a Secção 15 das Normas da FCC. Estes limites foram concebidos para fornecer uma protecção razoável contra as interferências nocivas em instalações residenciais.

Este equipamento gera, utiliza e pode irradiar energia de radiofrequência e se não for instalado e utilizado de acordo com as instruções, pode provocar interferências perigosas nas comunicações por rádio. No entanto, não há qualquer garantia de que não ocorram interferências numa determinada instalação.

Se este equipamento provocar interferências perigosas na recepção de rádio ou televisão, que podem ser determinadas ao ligar e desligar o equipamento, pede-se ao utilizador que tente corrigir a interferência através de uma ou mais medidas:

1. Oriente novamente ou mude a antena de recepção de sítio.
2. Aumente a distância entre o equipamento e o receptor.
3. Ligue o equipamento a uma tomada num circuito diferente daquele a que o receptor está ligado.
4. Consulte o vendedor ou peça ajuda de um técnico de rádio / TV experiente.

### Declaração de conformidade

Este dispositivo está em conformidade com a Parte 15 das Regras da FCC. A operação está sujeita às duas seguintes condições:

1. Este dispositivo não pode causar interferência prejudicial,
2. este dispositivo deve aceitar qualquer interferência recebida, inclusive a que pode causar a operação indesejada.

### Conformidade EME para o Canadá

Esse aparelho digital de Classe "B" está em conformidade com o ICES-003 Canadense.

Cet appareil numérique de la classe "B" est conforme à la norme NMB-003 du Canada.

### Informações de Segurança do Laser

**CUIDADO:** O uso dos controles, ajustes ou a realização de outros procedimentos que não os especificados neste guia podem resultar em exposição perigosa a raios.

Este equipamento está em conformidade com os padrões de segurança internacional e está classificado como um Produto de Laser Classe 1.

Especialmente em relação aos lasers, o equipamento está em conformidade com os padrões de desempenho de produtos de laser determinados pelos órgãos governamentais, nacionais e internacionais como um Produto Laser de Classe 1. Ele não emite raios perigosos, uma vez que o feixe é totalmente coberto durante todas as fases da operação e manutenção do cliente.

## Para a Europa/Ásia

---

Esta máquina está em conformidade com o padrão IEC 60825-1:1993+A1:1997+A2:2001, é considerada como um aparelho a laser de classe 1 e cuja utilização em escritórios/processamento electrónico de dados é segura. A máquina contém 1 díodo laser da classe 3B, 10,72 milliwatt, 770-795 nanómetros de comprimento de onda e outro díodo laser da classe 1 (280 µW, 639 nm).

O contacto directo (ou indirecto, reflectido) do raio laser com os olhos pode provocar lesões oculares graves. As precauções de segurança e mecanismos de bloqueio foram concebidos para evitar qualquer exposição do operador a raios laser.

## Para a América do Norte

---

Regulamentos CDRH.

Este equipamento está em conformidade com os FDA performance standards para produtos laser excepto para as derrogações relativas a Laser Notice No.50, datada do 24 de Junho 2007 e contém 1 díodo laser da classe 3B, 10,72 milliwatt, 760-780 nanómetros de comprimento de onda e outro díodo laser da classe 1 (280 µW, 639 nm).

Este equipamento não emite qualquer luz perigosa, uma vez que o raio está completamente fechado durante todos os modos de operação e manutenção do cliente.

## Informações Regulatórias

---

### Certificações na Europa

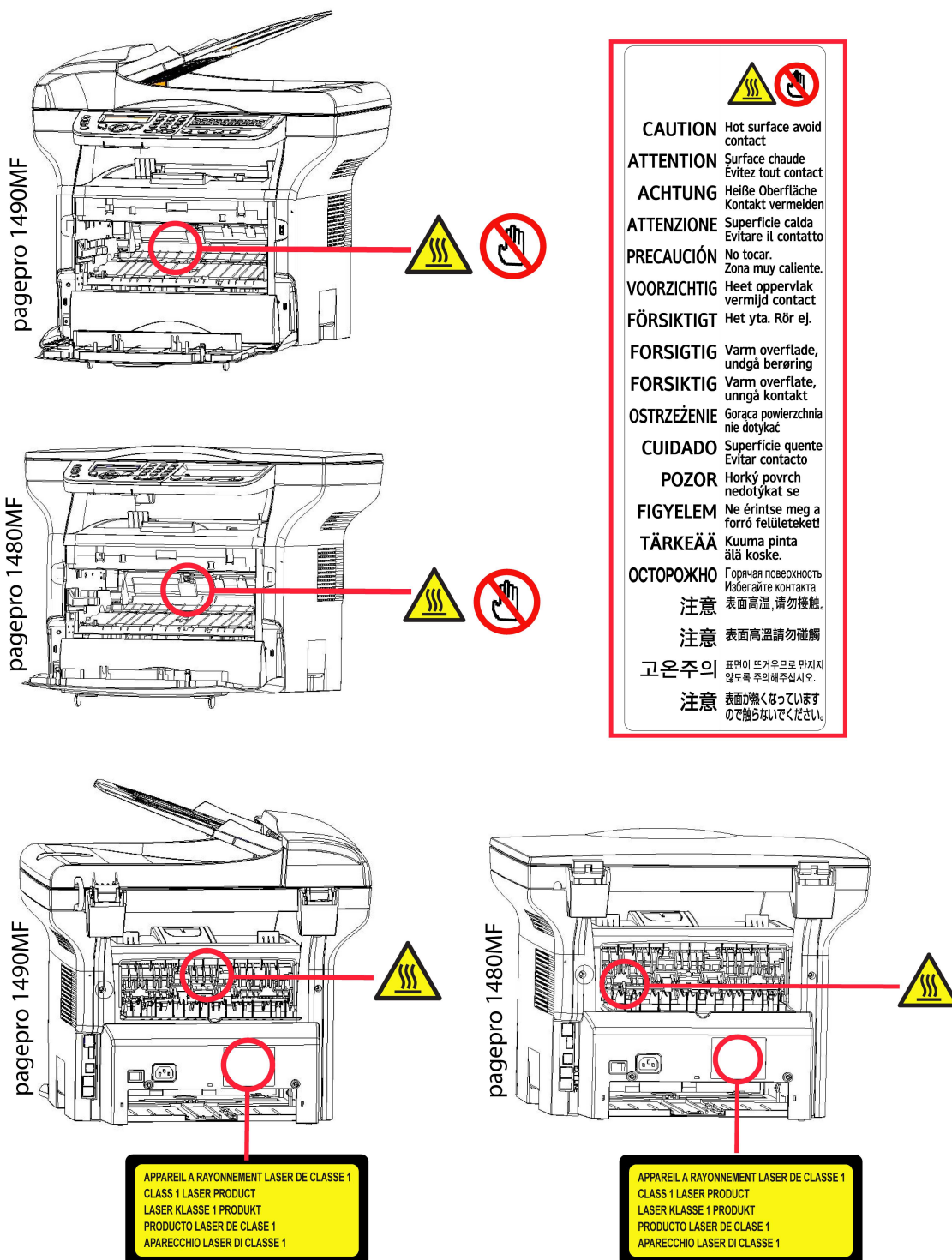
---

**CE** A marca do CE aplicada a este produto simboliza a declaração de conformidade com as seguintes Diretrizes da União Europeia, a partir das datas indicadas:

- 12 de Dezembro de 2006:** Diretiva do Conselho 2006/95/EC conforme modificado. Aproximação das leis dos estados membros relacionados a equipamentos de baixa voltagem.
- 15 de Dezembro de 2004:** Diretiva do Conselho 2004/108/EC conforme modificado. Aproximação das leis dos estados membros relacionados à compatibilidade eletromagnética.
- 9 de Março de 1999:** Diretiva do Conselho 99/5/EC, no equipamento de rádio e equipamentos do terminal de telecomunicações e o reconhecimento mútuo de conformidade.



## Posição das etiquetas de segurança no aparelho

Por questões de segurança, as etiquetas de aviso foram colocadas no aparelho nos lugares indicados em baixo. Para sua segurança, você nunca deve tocar estas superfícies quando remover o encravamento de papel ou quando substituir o cartucho de Toner.



## Símbolos do interruptor de alimentação

De acordo com a norma IEC 60417, o aparelho utiliza símbolos do interruptor de alimentação seguintes :

-  significa LIGAR ;
-  significa DESLIGAR

# Instalação

## Condições para a instalação

---

Escolha um local apropriado para preservar a duração de vida do seu aparelho. Verifique se o local selecionado apresenta as seguintes características :

- Escolher um local bem arejado.
- Verificar que os orifícios de ventilação situados dos lados direito e à esquerda do aparelho não estejam obstruídos. Aquando da instalação, colocar o aparelho a uns trinta centímetros de todos os objetos para facilitar a abertura das diferentes tampas.
- Verificar que o local não apresente riscos de emissão de amoníaco ou doutros gases orgânicos.
- A tomada elétrica com terra (refere-se às instruções de segurança apresentadas no capítulo Segurança) à qual pretende ligar o terminal deve situar-se a proximidade deste e ser facilmente acessível.
- **Verificar que o terminal não esteja diretamente exposto aos raios solares.**
- Verificar que o aparelho não esteja colocado numa zona exposta a correntes de ar produzidas por um sistema de ar condicionado, de aquecimento ou de ventilação, nem numa zona sujeita a grandes diferenças de temperatura ou de humidade.
- Escolher uma superfície sólida e horizontal que não expõe o aparelho a vibrações fortes.
- **Mantenha a máquina longe de qualquer objeto que possa obstruir suas portas de ventilação.**
- Não colocar o aparelho a proximidade de tecidos ou outros objectos combustíveis
- Escolher um local onde os riscos de salpicos de água ou doutros líquidos sejam limitados.
- Verificar que o local esteja seco, limpo e sem poeira.

## Precauções de utilização

---

Ter em conta as importantes precauções descritas mais abaixo aquando da utilização do aparelho.

### Ambiente de utilização :

- Temperatura: de 10 °C a 27 °C [50 °F a 80,6 °F] com uma umidade ambiente incluída entre 15 e 80% (até 32°C [89,6 °F] com a humidade ambiente incluída entre 15 e 54%).

### Terminal:

A seção mais abaixo descreve as precauções a tomar aquando da utilização do terminal:

- Não desligar o terminal ou abrir as tampas com a impressão a decorrer.
- Nunca utilizar a proximidade do terminal gases ou líquidos inflamáveis, ou objetos que possam produzir um campo magnético.
- Ao desligar o cabo de alimentação, puxar a ficha evitando puxar pelo cabo. Poderia danificar o cabo e criar um risco de incêndio ou de descarga elétrica.
- Nunca tocar o cabo de alimentação com as mãos húmidas. Arrisca-se a receber um choque elétrico.
- Desligar sempre o cabo de alimentação antes de deslocar o terminal. Poderia danificar o cabo e criar um risco de incêndio ou de descarga elétrica..
- Desligar sempre o cabo de alimentação quando o terminal estiver sem funcionar durante um período prolongado.
- Nunca colocar objetos em cima do cabo de alimentação, não o puxar nem o dobrar. Poderia criar um risco de incêndio ou de descarga elétrica.
- Verificar que o terminal nunca esteja pousado no cabo de alimentação ou cabos de comunicação de qualquer outro aparelho elétrico.
- Verificar também que nenhum cabo seja introduzido no mecanismo do terminal. Poderia expô-lo a um risco de mau funcionamento do terminal ou a um risco de incêndio.
- Verificar que a impressora está desligada antes de ligar ou desligar um cabo de interface (utilizar um cabo de interface blindado).
- Nunca tentar remover um painel ou uma tampa fixada. O terminal contém circuitos de alta tensão. Qualquer contato com esses circuitos pode provocar um risco de descarga elétrica.
- Nunca tentar modificar o terminal. Poderia criar um risco de incêndio ou de descarga elétrica.

- Verificar que os cliques, agrafes ou outros objetos metálicos não penetrem no terminal pelos orifícios de ventilação ou por outras aberturas. Tais objetos criam um risco de incêndio ou de descarga elétrica.
- Evitar que água ou qualquer outro líquido se espalhe em cima do terminal ou perto dele. Qualquer contato do terminal com água ou líquido pode criar um risco de incêndio ou de descarga elétrica.
- Caso líquido ou um objeto metálico penetrem acidentalmente no terminal, pará-lo imediatamente, desligar o cabo de alimentação e contatar o revendedor. Caso contrário, poderá expor-se a um risco de incêndio ou de descarga elétrica.
- Em caso de emissão de calor, de fumo, de odores anormais ou de ruídos anormais, desligar o terminal, desligar o cabo e contatar o revendedor. Qualquer contato da máquina com água ou líquido pode causar risco de incêndio ou de um choque elétrico.
- Evitar utilizar o terminal durante uma "trovoada elétrica", pode apresentar um risco de choque elétrico causado pelos raios.
- Não deslocar o aparelho durante a impressão.
- Levantar o terminal quando o quiser deslocar.



Verificar que o aparelho se encontre num local bem arejado. Pois, o funcionamento da impressora pode libertar uma pequena quantidade de ozono. A impressora pode libertar um odor desagradável quando funciona de forma intensiva num local mal arejado. Para uma utilização segura, verificar que o aparelho esteja colocado num local bem ventilado.

## Informações de Segurança

Quando utilizar seu produto, as seguintes precauções de segurança devem sempre ser obedecidas.

### Segurança Durante a Operação

Nesta seção de informações, os seguintes símbolos são utilizados:

<b>AVISO:</b>	Indica uma situação de potencial risco em que, caso as instruções não sejam seguidas, pode resultar em morte ou ferimentos graves.
<b>CUIDADO:</b>	Indica uma situação de potencial risco em que, caso as instruções de segurança não sejam seguidas, pode resultar em ferimentos mínimos ou leves ou danos à propriedade.

### AVISO

- Conecte o cabo de energia diretamente na tomada da parede e nunca utilize um cabo de extensão.
- Desconecte o plugue de força (puxando o plugue, não o cabo) caso o cabo de energia ou o plugue fique desgastado ou, de alguma maneira, danificado.
- Para evitar o risco de choque elétrico ou exposição ao raio laser, não remova nenhum dos parafusos ou tampas além dos especificados nas instruções de Operação.
- Desligue a energia e desconecte o plugue (puxando o plugue, não o cabo) caso alguma das condições exista:
  - Você derramou algo dentro do produto.
  - Você acredita que seu equipamento precisa de serviços ou reparo.
  - A tampa de seu produto foi danificada.
- Não queime o toner derramado ou utilizado. O pó do toner pode inflamar quando for exposto à uma chama exposta.
- O descarte pode ser feito em nosso revendedor autorizado ou em outros locais apropriados de coleta.
- O descarte do cartucho de toner (ou garrafa) utilizado deve ser feito de acordo com a legislação local.

 **CUIDADO**

- Proteja o produto de umidade ou tempo molhado, como chuva, neve, etc.
- Desconecte o cabo de energia da parede antes de movimentar o equipamento. Ao movimentar o equipamento, você deve ter cuidado para que o cabo de energia não seja danificado sob o produto.
- Ao desconectar o plugue de energia da tomada, puxe o plugue (não o cabo).
- Não deixe que cliques de papel, grampos ou outros objetos metálicos caiam dentro do equipamento.
- Mantenha o toner (usado ou não), cartuchos de toner (ou garrafa), tinta ou cartucho de tinta fora do alcance de crianças.
- Cuidado para não se cortar com nenhuma das quinas quando estiver mexendo no interior do equipamento para remover os controladores ou folhas de papel alimentadas de maneira incorreta.
- Por razões ambientais, não descarte o produto ou a sucata de suprimentos gastos no ponto de coleta de sucata. O descarte pode ser feito em nosso revendedor autorizado ou em outros locais apropriados de coleta.
- Nossos produtos são projetados para atingir os mais altos padrões de funcionalidade e qualidade e recomendamos que você utilize apenas os suprimentos consumíveis em um revendedor autorizado.

**Alimentação de Energia**

---

A tomada deve ser instalada próxima ao produto e deve ser de fácil acesso.

**Regras para usar os símbolos**

---

 **AVISO**

Indica notas importantes de segurança.

Ignorar estas notas pode resultar em ferimentos graves ou morte. Leia-as. Elas podem ser encontradas na seção Informações de Segurança deste manual.

 **CUIDADO**

Indica notas importantes de segurança.

Ignorar estas notas pode resultar em ferimentos mínimos ou moderados ou dano ao equipamento ou à propriedade. Leia-as. Elas podem ser encontradas na seção Informações de Segurança deste manual.

# Ambiente

A preservação do ambiente é uma preocupação essencial do fabricante. O fabricante deseja explorar instalações que respeitem o ambiente e escolheu integrar o desempenho ambiental no conjunto do ciclo de vida dos seus produtos, da fase de fabricação à colocação em serviço, à utilização e à eliminação.

**A embalagem**

---



A presença do logótipo (ponto verde) significa que é paga uma contribuição a um organismo nacional autorizado, para melhorar as infraestruturas de recuperação e de reciclagem das embalagens.

Para facilitar essa reciclagem, respeite as normas de triagem implementadas localmente para esse tipo de detritos.

**As pilhas e as baterias**

---

Caso o seu produto contenha pilhas ou baterias, estas devem ser depositadas nos pontos de recolha designados.

## O produto



O símbolo do caixote de lixo riscado exibido no produto significa que pertence à família dos equipamentos eléctricos e electrónicos.

- Assim sendo, a regulamentação europeia pede-lhe para proceder à recolha selectiva:
  - Nos pontos de distribuição em caso de compra de um equipamento equivalente.
  - Nos pontos de recolha colocados à sua disposição localmente (lixeira, recolha selectiva, etc.).

Dessa forma, participará à reutilização e à valorização dos Detritos de Equipamentos Eléctricos e Electrónicos que podem ter efeitos potenciais no ambiente e na saúde humana.

# Licença de uso do software

LEIA ATENTAMENTE TODOS OS TERMOS E CONDIÇÕES DA PRESENTE LICENÇA ANTES DE ABRIR O ENVELOPE SELADO QUE CONTÉM O SOFTWARE. A ABERTURA DESSE ENVELOPE IMPLICA A ACEITAÇÃO DESSES TERMOS E CONDIÇÕES.

Caso não aceite os termos desta licença, devolva ao seu revendedor a embalagem do DVD-ROM, sem a ter aberto, bem como as outras componentes do produto. O preço pago pelo produto lhe será reembolsado. Não haverá reembolso para os produtos com a embalagem do DVD-ROM aberta ou no caso de faltarem componentes ou caso o pedido de reembolso seja efetuado após um período de dez (10) dias a contar da data de entrega, comprovada pela cópia do talão.

## Definição

O software designa os programas e a documentação associada.

## Licença

- Esta licença permite-lhe utilizar o software em computadores pessoais ligados a uma rede local. Tem apenas o direito de utilizar o software para imprimir num só terminal multifunções, não pode emprestar ou conceder um direito de uso do software a terceiros.
- Tem autorização para efetuar uma cópia de salvaguarda.
- Esta licença não é exclusiva nem transferível.

## Propriedade

O fabricante ou os seus fornecedores conservam o direito de propriedade do software. Apenas se torna proprietário do DVD-ROM. Não deverá modificar, adaptar, descompilar, traduzir, criar obras derivadas, alugar ou vender o software ou a documentação. Todos os direitos não expressamente concedidos são reservados pelo fabricante ou pelos seus fornecedores.

## Duração

Esta licença permanecerá válida até que seja cancelada. Você pode cancelá-la destruindo o programa e a documentação, assim como todas as cópias deles. Esta licença será automaticamente rescindida caso não respeite os seus termos. Em caso de rescisão, compromete-se a destruir todas as cópias do programa e da documentação.

## Garantia

O software é fornecido « no estado » sem garantia alguma, nem expressa, nem implícita, inclusive de forma não limitativa, sem garantia de adaptação comercial e de aptidão a um uso particular; todos os riscos relativos aos resultados e desempenho deste software são assumidos pelo comprador. Caso o programa demonstre defeitos, todas as despesas de reparação serão da responsabilidade do comprador.

Todavia, o titular da licença beneficia da seguinte garantia: o DVD-ROM no qual está gravado o software está garantido sem defeito de material ou de fabricação nas condições de utilização e de funcionamento normal durante um período de noventa (90) dias a contar da data de entrega, comprovada pela cópia do talão. Caso o defeito do DVD-ROM aconteça em consequência de um acidente ou de uma utilização errada, esse DVD-ROM não será trocado no âmbito da garantia.



## Responsabilidade

---

Se o DVD-ROM não estiver funcionando de maneira adequada, envie-o para o fornecedor juntamente com uma cópia do recibo. É responsabilidade exclusiva do fornecedor substituir o DVD-ROM. Nem o fabricante nem quem quer que seja implicado na criação, na realização, na comercialização ou na entrega deste programa poderá ser tido como responsável pelos danos diretos, indiretos ou imateriais, tais como, esta lista não sendo limitativa, perda de informação, perda de tempo, perda de trabalho, perda de receitas, perda de clientela, devido à utilização ou à incapacidade de utilização do programa.

## Evolução

---

Com a preocupação de um melhoramento constante, o fabricante reserva-se o direito de fazer evoluir as características do software sem aviso prévio. Em caso de evolução, o seu direito de utilização não lhe confere o direito a atualizações gratuitas.

## Lei aplicável

---

Esta licença é regida pelo direito francês. Qualquer litígio devido à interpretação ou à execução desta licença será submetido aos Tribunais de Paris.

Tendo em conta a evolução permanente da tecnologia, o fabricante reserva-se o direito de modificar as características técnicas indicadas para este produto, a todo o momento, sem aviso prévio, e/ou de interromper a produção deste produto. Todos os nomes de produtos e de marcas podendo ser marcas registradas pelos respectivos detentores são reconhecidos nas presentes.

## Marcas registradas

---

Dado a evolução técnica, o fabricante reserva-se o direito de modificar as especificações técnicas deste produto e/ou de suspender sua produção a qualquer momento sem notificação prévia. Companion Suite Pro é uma marca registrada da Sagem Communications.

Adobe® e os produtos Adobe® referidos são marcas registradas de Adobe Systems Incorporated.

PaperPort11SE é uma marca registrada de ScanSoft.

Microsoft® Windows 2000®, Microsoft® Windows Server 2003®, Microsoft® Windows XP®, Microsoft® Windows Vista® e qualquer outro produto Microsoft® citado aqui são marcas registradas Microsoft Corporation registradas e/ou usadas nos Estados Unidos e/ou em outros países.

Todas as outras marcas ou nomes de produtos referidos a título de exemplo ou de informação são marcas registradas dos respectivos detentores.

As informações contidas neste manual estão sujeitas a alterações sem aviso prévio.

## Cópias proibidas

---

Nunca copiar ou imprimir documentos cuja reprodução seja proibida por lei.

Imprimir e copiar os documentos seguintes são geralmente proibidos pela legislação local:

- notas ;
- cheques ;
- obrigações ;
- certificados de depósito ;
- títulos de empréstimo ;
- passaportes ;
- licenças de condução.

A seguinte lista é dada a título de exemplo, mas não é exaustiva. Em caso de dúvida da legalidade da cópia ou da impressão de certos documentos, consulte um consultor jurídico.

<b>VEILIGHEIDSVOORSCHRIFTEN</b>	<b>66</b>
<b>Beste klant</b>	<b>66</b>
<b>Veiligheid</b>	<b>66</b>
<i>Veiligheidsvoorschriften</i>	66
<i>EMC</i>	67
<i>Nota voor gebruikers in de Verenigde Staten van Amerika</i>	67
<i>Conformiteitverklaring</i>	67
<i>Naleving van de EME-richtlijnen voor Canada</i>	67
<i>Laserveiligheidsinformatie</i>	67
<i>Voor Europa / Azië</i>	68
<i>Voor Noord-Amerika</i>	68
<i>Informatie i.v.m. wetgeving</i>	68
<i>Goedkeuringen in Europa</i>	68
<i>Plaats van de veiligheidsvermeldingen op de machine</i>	69
<i>Symbolen van de stroomschakelaar</i>	69
<b>Installatie</b>	<b>70</b>
<i>Installatievereisten</i>	70
<i>Voorzorgsmaatregelen bij het gebruik</i>	70
<i>Veiligheidsinformatie</i>	71
<i>Veiligheid tijdens de werking</i>	71
<i>Stroomvoorziening</i>	72
<i>Symbolen die regels voor het gebruik aanduiden</i>	72
<b>Milieu</b>	<b>72</b>
<i>De verpakking</i>	72
<i>De batterijen</i>	72
<i>Het product</i>	73
<b>Softwarelicentie</b>	<b>73</b>
<i>Definitie</i>	73
<i>Licentie</i>	73
<i>Eigendom</i>	73
<i>Duur</i>	73
<i>Garantie</i>	73
<i>Verantwoordelijkheid</i>	74
<i>Ontwikkeling</i>	74
<i>Geldige wetten</i>	74
<i>Geregistreerde handelsmerken</i>	74
<i>Namaak</i>	74

# VEILIGHEIDSVOORSCHRIFTEN

## Beste klant

Door dit multifunctionele apparaat te kopen, hebt u gekozen voor een kwaliteitsproduct (**pagepro 1490MF**). Uw apparaat voldoet aan alle verschillende vereisten van moderne apparatuur voor kantoorautomatisering.

Met dit apparaat kunt u in kleuren scannen en in zwart/wit faxen, afdrukken en kopiëren. U kunt het toestel aansluiten op uw pc (Microsoft Windows 2000/XP/Vista).

Installeer de bijgevoegde software om het multifunctionele apparaat te gebruiken als printer. Daarnaast kunt u via uw pc documenten scannen, bewerken en opslaan. Voor draadloze communicatie met een computer beschikt u over een aansluiting met een WLAN-adapter (optioneel).

WLAN is een optie die enkel werkt met een originele adapter, verkrijgbaar bij uw verkoper.

### **pagepro 1490MF:**

Met dit multifunctionele apparaat kunt u een USB-DECT-basis aansluiten op een van de USB-poorten van het apparaat en DECT-telefoons op die basis registreren. Vervolgens kunt u met de geregistreerde telefoons oproepen doen en beantwoorden met behulp van de telefoonlijn van het multifunctionele apparaat (standaardgebruik van draadloze telefoons).

Een telefoonverbinding is een optie die enkel werkt met een specifieke USB-DECT-dongle, verkrijgbaar bij uw verkoper.

Dankzij zijn navigatiesysteem en zijn multifunctionaliteit is hij krachtig, gebruikersvriendelijk en eenvoudig om te bedienen.

De multifunctionele apparaten MFP Laser zijn uitgerust met een 600 dpi-scanner en een zwart-wit-laserprinter met een afdruksnelheid van 20 ppm. Met de Companion Suite Pro -software kunt u het multifunctionele apparaat vanaf een pc gebruiken als scanner en printer. U kunt er ook uw multifunctionele apparaat mee beheren.

## Veiligheid

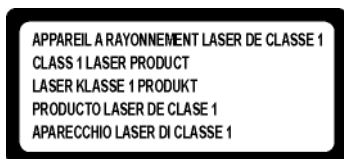
### **Veiligheidsvoorschriften**

Alvorens het apparaat in te schakelen, moet u controleren of het netsnoer waarop u het apparaat wilt aansluiten, voldoet aan de vermeldingen op het waarschuwingsetiket op uw apparaat (spanning, stroom, frequentie van het elektriciteitsnet). Dit apparaat moet worden aangesloten op een monofasig elektriciteitsnet. Dit apparaat mag niet op de grond worden geïnstalleerd.

De batterijen, de verpakkingen en de elektrische en elektronische (EEE) apparatuur mogen verwijderd worden volgens de voorschriften die beschreven zijn in het hoofdstuk MILIEU van deze handleiding.

Afhankelijk van het model kan het zijn dat de netstekker van het apparaat de enige mogelijkheid is om de stroomtoevoer naar het apparaat te verbreken. U dient daarom de volgende regels in acht te nemen: uw apparaat moet worden aangesloten op een wandcontactdoos die zich nabij het apparaat bevindt. De wandcontactdoos moet gemakkelijk bereikbaar blijven.

Uw apparaat wordt geleverd met een netsnoer voorzien van een stekker met aarding. Voor een geaarde stekker moet u absoluut een geaarde wandcontactdoos gebruiken voorzien van aarding voor de bescherming van het gebouw.



**Reparatie/onderhoud** : Alle reparatie- en onderhoudswerkzaamheden moeten uitsluitend door een bevoegde technicus worden uitgevoerd. De interne onderdelen mogen niet door de gebruiker gerepareerd worden. Teneinde alle gevaar voor elektrocutie te voorkomen, mag u niet proberen deze ingrepen zelf uit te voeren, want het openen of verwijderen van de deksels brengt de volgende risico's met zich mee:

- De laserstralen kunnen onherstelbare schade toebrengen aan het oog.
- Aanraking van onderdelen onder spanning kan een zeer gevaarlijke elektrische schok veroorzaken.

## EMC

### Nota voor gebruikers in de Verenigde Staten van Amerika

Deze uitrusting werd getest en goedgekeurd overeenkomstig de normen voor een digitaal toestel Klasse B, conform Part 15 van de FCC-regels. Deze normen zijn vastgelegd om een redelijke bescherming te bieden tegen schadelijke interferenties in een residentiële installatie.

Deze uitrusting genereert, gebruikt en kan radiofrequentie-energie uitstralen en kan, indien het niet wordt geplaatst en gebruikt overeenkomstig de instructies, schadelijk interferenties genereren voor radiocommunicaties. Er kan echter geen enkele waarborg worden gegeven dat geen interferentie zal ontstaan bij een bijzondere installatie.

Indien deze installatie schadelijke interferenties geeft op radio- of tv-ontvangst, wat kan worden vastgesteld door het apparaat in en uit te schakelen, wordt de gebruiker aangeraden om de interferentie teniet te doen door een van onderstaande maatregelen:

1. heroriënteren van de ontvangstantenne.
2. het apparaat en de ontvanger verder uit elkaar plaatsen.
3. het apparaat aansluiten op een stopcontact op een andere stroomkring dan de stroomkring waarop de ontvanger is aangesloten.
4. de dealer of een ervaren radio/tv-technicus raadplegen voor help.

### Conformiteitverklaring

Dit apparaat voldoet aan Deel 15 van de FCC-richtlijnen. De werking ervan is onderhevig aan de volgende twee voorwaarden:

1. Dit apparaat mag geen schadelijke interferentie veroorzaken, en
2. dit apparaat moet alle ontvangen interferentie aanvaarden, ook interferentie die een ongewenste werking kan veroorzaken.

### Naleving van de EME-richtlijnen voor Canada

Dit digitaal apparaat van Klasse "B" voldoet aan de Canadese ICES-003.

Cet appareil numérique de la classe "B" est conforme à la norme NMB-003 du Canada.

### Laserveiligheidsinformatie

**OPGELET:** Het gebruik van bedieningselementen, aanpassingen of het uitvoeren van een procedure die afwijkt van de procedures die in deze handleiding worden beschreven, kan leiden tot blootstelling aan gevaarlijk laserlicht.

Dit apparaat voldoet aan de internationale veiligheidsnormen en is ingedeeld in Klasse 1 voor laserproducten.

De apparatuur voldoet wat betreft de laser aan de prestatienormen voor laserproducten, zoals die door overheden en (inter)nationale instanties voor laserproducten van klasse 1 zijn vastgesteld. De apparatuur zendt geen gevaarlijke laserstralen uit, aangezien de stralen volledig worden afgeschermd op elk moment dat de klant de apparatuur gebruikt en onderhoudt.

## Voor Europa / Azië

---

Deze machine beantwoordt aan de richtlijn IEC 60825-1:1993+A1:1997+A2:2001 voor een klasse 1 laserproduct en is veilig voor kantoorgebruik en EDP. Het bevat 1 klasse 3B-laserdiode, max 10,72 mW , 770-795 nanometer en andere 1 klasse LED's (280 µW en 639 nm).

Direct (of indirect gereflecteerd) oogcontact met de laserstraal kan belangrijke schade toebrengen aan het oog. Er werden bijzondere voorzorgen en tussenvergrendelingsmechanismen ontworpen om te voorkomen dat de operator wordt blootgesteld aan laserstralen.

## Voor Noord-Amerika

---

CDRH-regels.

Deze uitrusting beantwoordt aan de FDA-richtlijnen voor laserproducten behalve voor afwijkingen die betrekking hebben op de Laserhandleiding No.50, van 24 juni 2007 en bevat 1 klasse 3B-laserdiode, 10,72 milliwatt, 770-795 nanometer-golflengte en andere klasse 1 LED's (280 µW en 639 nm).

Dit apparaat zendt geen gevaarlijk licht uit omdat de laserstraal helemaal omhult zit bij elke klantbedrijfsmodus of onderhoud.

## Informatie i.v.m. wetgeving

---

### Goedkeuringen in Europa

---

**CE** Het CE-teken dat op dit apparaat werd aangebracht, is een teken van de verklaring van conformiteit met de volgende Richtlijnen van de Europese Unie, geldig vanaf de aangeduide datums:

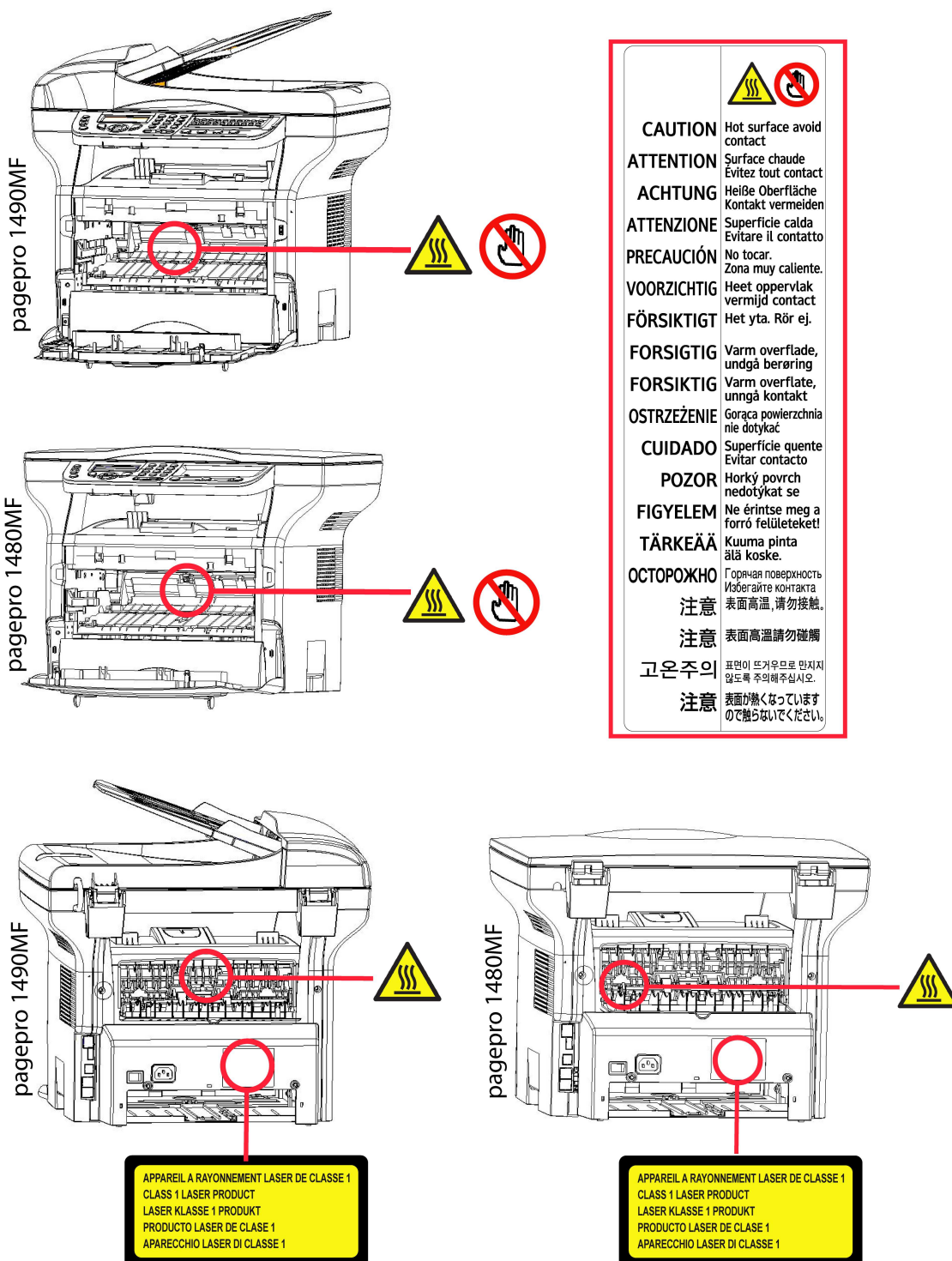
**12 december 2006** Richtlijn van de Raad 2006/95/EC met aanpassingen. Benadering van de wetten van de lidstaten i.v.m. laagspanningsapparatuur.

**15 december 2004:** Richtlijn van de Raad 2004/108/EC met aanpassingen. Benadering van de wetten van de lidstaten i.v.m. elektromagnetische compatibiliteit.

**9 maart 1999:** Richtlijn van de Raad 99/5/EC over radiografische apparatuur en telecommunicatieterminalapparatuur en de wederzijdse erkenning van de conformiteit.

## Plaats van de veiligheidsvermeldingen op de machine

Als veiligheidsmaatregel werden er waarschuwingsetiketten op het apparaat aangebracht op de plaatsen hierna vermeld. Raak voor uw veiligheid die plaatsen niet aan als u vastgelopen papier verwijderd of de tonercartridge vervangt.



## Symbolen van de stroomschakelaar

In overeenstemming met norm IEC 60417 gebruikt het apparaat de volgende symbolen voor de stroomschakelaar:

- **I** betekent AAN.
- **O** betekent UIT.

# Installatie

## Installatievereisten

---

Als u het faxapparaat op de juiste locatie installeert, bent u verzekerd van de lange levensduur waarvoor het is ontworpen. Controleer grondig of de door u geselecteerde locatie aan de volgende kenmerken voldoet:

- Kies een goed geventileerde locatie.
- Zorg ervoor dat de ventilatieopeningen aan de linker- en rechterzijde van het apparaat niet worden geblokkeerd. Plaats het apparaat op ongeveer dertig centimeter afstand van alle voorwerpen, zodat de kleppen zonder probleem geopend kunnen worden.
- Zorg ervoor dat er geen ammoniak of andere organische gassen in de ruimte kunnen ontstaan.
- Het gearde stopcontact (zie de veiligheidsinstructies in het hoofdstuk **Veiligheid** waarop u het apparaat wilt aansluiten, moet zich vlakbij het apparaat bevinden en vrij toegankelijk zijn.
- **Zorg ervoor dat het apparaat niet wordt blootgesteld aan direct zonlicht.**
- Kies bij voorkeur geen opstellingslocatie in de directe luchtstroom van airconditioners, verwarmingsapparaten of ventilatoren en stel het apparaat niet op in ruimtes waar sterke temperatuur- en luchtvochtigheidsverschillen heersen.
- Kies een stevig, vlak oppervlak waar het apparaat niet wordt blootgesteld aan sterke trillingen.
- **Plaats het apparaat op veilige afstand van voorwerpen die de ontluchtingsopeningen kunnen blokkeren.**
- Plaats het apparaat niet in de buurt van gordijnen of andere brandbare voorwerpen.
- Kies een locatie waar er geen gevaar bestaat dat er water of een andere vloeistof op het apparaat spat.
- Controleer of de omgeving schoon, droog en stofvrij is.

## Voorzorgsmaatregelen bij het gebruik

---

Houd de volgende belangrijke voorzorgsmaatregelen in het oog bij het gebruik van het apparaat.

### Gebruiksomgeving:

- Temperatuur: 10 °C tot 27 °C [50 °F tot 80,6 °F] met een omgevingsvochtigheid van 15 tot 80% (max. 32°C [89,6 °F] met een omgevingsvochtigheid van 15 tot 54%).

### Terminal:

Houd de volgende belangrijke voorzorgsmaatregelen in het oog bij het gebruik van het apparaat:

- Schakel het apparaat nooit uit en open nooit de kleppen van het apparaat tijdens het afdrukken.
- Houd brandbare gassen, vloeistoffen en objecten die magnetische krachten genereren verwijderd van het apparaat.
- Trek het netsnoer uit door aan de stekker te trekken; trek nooit aan de kabel zelf. Als de kabel beschadigd is, kan dat tot brand of een elektrische schok leiden.
- Raak het netsnoer nooit met natte handen aan. Dat kan tot een elektrische schok leiden.
- Trek het netsnoer altijd uit alvorens het apparaat te verplaatsen. Als u dat niet doet, kan de kabel beschadigd raken, wat kan leiden tot brand of tot een elektrische schok.
- Trek het netsnoer altijd uit als u denkt het apparaat lange tijd niet te gebruiken.
- Plaats nooit zware voorwerpen op het netsnoer, trek er nooit aan en buig het niet. Dat kan tot brand of een elektrische schok leiden.
- Controleer altijd of het apparaat niet op het netsnoer of op een van de communicatiekabels van andere elektrische apparaten staat. Controleer ook of de kabels niet in het mechanisme van het apparaat komen. Dat zou tot storingen of brand kunnen leiden.
- Zorg dat de printer niet onder stroom staat als u een interfacekabel op de printer aansluit of uittrekt (gebruik een afgeschermd interfacekabel).
- Probeer nooit een vastgemaakt paneel of een kap te verwijderen. Het apparaat bevat hoogspanningscircuits. Elk contact met deze circuits kan een elektrische ontlading met zich meebrengen.
- Probeer nooit zelf veranderingen aan het apparaat uit te voeren. Dat kan tot brand of een elektrische schok leiden.

- Controleer altijd of er geen paperclips, nietjes of andere kleine metalen voorwerpen via de ventilatieopeningen of andere openingen in het apparaat kunnen belanden. Zulke voorwerpen vormen een risico dat tot brand of een elektrische schok kan leiden.
- Voorkom dat er water of andere vloeistoffen op of in de buurt van het apparaat worden gemorst. Er kan brand of een elektrische schok ontstaan als er water of een andere vloeistof in contact komt met het apparaat.
- Zou er per ongeluk toch vloeistof of een metalen voorwerp in het apparaat belanden, schakel het dan onmiddellijk uit, trek de stekker uit het stopcontact en neem contact op met uw dealer. Als u niet direct reageert, ontstaat het gevaar van brand of een elektrische schok.
- Als het apparaat ongebruikelijk veel warmte afgeeft of rook, een ongebruikelijke geur of lawaai produceert, schakel het dan onmiddellijk uit, trek de stekker uit het stopcontact en neem contact op met uw dealer. Als u niet direct reageert, ontstaat het gevaar van brand of een elektrische schok.
- Vermijd gebruik van de terminal tijdens elektrische stormen, waarbij de bliksem een gevaar voor elektrische schokken kan veroorzaken.
- Verplaats de terminal niet terwijl hij afdrukt.
- Til de terminal op wanneer u hem verplaatst.



Let erop dat u de terminal op een goed geventileerde locatie plaatst. Er wordt een minimale hoeveelheid ozon gegenereerd tijdens het normale bedrijf van dit apparaat. Dat kan tot een onprettige geur leiden als het apparaat wordt gebruikt om langdurig en veel af te drukken in een slecht geventileerde ruimte. Voor een veilig gebruik dient u het apparaat op een goed geventileerde locatie te installeren.

## Veiligheidsinformatie

De volgende voorzorgsmaatregelen moeten worden gevolgd bij het gebruik van uw apparaat.

### Veiligheid tijdens de werking

Op dit informatieblad worden de volgende symbolen gebruikt:

<b>WAARSCHUWING:</b>	<b>Wijst op een potentieel gevaarlijke situatie die, indien de aanwijzingen niet worden opgevolgd, tot de dood of ernstige verwondingen kan leiden.</b>
<b>OPGELET:</b>	Wijst op een potentieel gevaarlijke situatie die, indien de aanwijzingen niet worden opgevolgd, tot kleine of matige verwondingen of schade aan voorwerpen kan leiden.



### WAARSCHUWING

- Sluit het netsnoer direct op een stopcontact in de muur aan en gebruik nooit een verlengsnoer.
- Haal het netsnoer uit het stopcontact (door aan de stekker te trekken, niet aan het snoer) als het netsnoer of de stekker uitrafelen of op een andere manier beschadigd raken.
- Verwijder geen kleppen of schroeven, behalve indien dat wordt gevraagd in de Bedieningsinstructies, om elektrische schokken of blootstelling aan laserstralen te vermijden.
- Schakel de stroom uit en haal het netsnoer uit het stopcontact (door aan de stekker te trekken, niet aan het snoer) in de volgende gevallen:
  - U hebt iets gemorst op het apparaat.
  - U vermoedt dat het apparaat moet worden onderhouden of hersteld.
  - De buitenkant van uw apparaat is beschadigd.
- Verbrand geen gemorste of gebruikte toner. Tonerstof kan vlam vatten als het wordt blootgesteld aan open vuur.
- U kunt het weggooien bij uw bevoegde dealer of op speciale inzamelplaatsen.
- Gooi de gebruikte tonercartridge (of -fles) weg in overeenstemming met de plaatselijke wetgeving.



### OPGELET

- Bescherm het product tegen vocht of nat weer, zoals regen, sneeuw enz.
- Haal het netsnoer uit het stopcontact voordat u het product verplaatst. Zorg ervoor dat het netsnoer niet beschadigd raakt onder het apparaat terwijl u het apparaat verplaatst.
- Wanneer u het netsnoer uit het stopcontact haalt, moet u altijd aan de stekker trekken (niet aan het snoer).
- Zorg dat er geen paperclips, nietjes of andere kleine metalen voorwerpen in het apparaat kunnen vallen.
- Hou toner (gebruikt of ongebruikt), tonercartridge (of –fles), inkt (gebruikt of ongebruikt) of inktcartridge buiten het bereik van kinderen.
- Zorg dat u zich niet snijdt aan scherpe randen wanneer u vastgelopen papier of originelen uit het apparaat wilt verwijderen.
- Met het oog op het milieu mag u het apparaat of afval van verbruikte materialen niet weggoien met het huishoudelijke afval. U kunt het weggoien bij uw bevoegde dealer of op speciale inzamelplaatsen.
- Onze producten zijn ontworpen om aan de hoogste normen te voldoen op het vlak van kwaliteit en functionaliteit. Daarom raden wij u aan om enkel verbruiksartikelen te gebruiken die u bij een bevoegde dealer kunt kopen.

## Stroomvoorziening

---

Het stopcontact moet zich in de buurt van het apparaat bevinden en gemakkelijk bereikbaar zijn.

## Symbolen die regels voor het gebruik aanduiden

---

### WAARSCHUWING

Duidt op belangrijke veiligheidsopmerkingen.

Als u die opmerkingen negeert, kan dat leiden tot ernstige verwondingen of de dood. Lees de opmerkingen goed. U vindt ze in het hoofdstuk Veiligheidsinformatie van deze handleiding.

### OPGELET

Duidt op belangrijke veiligheidsopmerkingen.

Als u die opmerkingen negeert, kan dat leiden tot matige of kleine verwondingen of schade aan het apparaat of andere voorwerpen. Lees de opmerkingen goed. U vindt ze in het hoofdstuk Veiligheidsinformatie van deze handleiding.

# Milieu

Het behoud van het leefmilieu is van essentieel belang voor de fabrikant. De fabrikant heeft de wil om milieuvriendelijke installaties uit te baten en heeft ervoor gekozen om milieuvriendelijke prestaties te integreren in de hele levenscyclus van de producten, vanaf de fabricage tot het gebruik en de afvalverwerking.

## De verpakking

---



De aanwezigheid van het logo (groen punt) betekent dat een bijdrage wordt overgemaakt aan een nationale erkende organisatie om de infrastructuur te verbeteren voor de inzameling en recyclage van verpakking.

Om recyclage te vergemakkelijken, gelieve de sorteervoorschriften na te leven die lokaal ter beschikking zijn.

## De batterijen

---

Indien uw product batterijen bevat dan moeten ze gedeponeed worden in één van de inzamelpunten in uw buurt.

## Het product



De doorstreepte afvalcontainer afgebeeld op het product betekent dat het tot de elektrische en elektronische producten behoort.



De Europese reglementering vraagt u om over te gaan tot de selectieve inzameling ervan:

- In de distributiepunten in het geval van aankoop van gelijkaardige apparatuur.
- In de inzamelpunten die lokaal ter uwer beschikking zijn (afvalverwerkende centra, selectieve ophaling, enz.).

Zo neemt u ook deel aan het hergebruik en de nuttige toepassing van afgedankte elektrische en elektronische apparatuur die potentiële effecten hebben op het milieu en de menselijke gezondheid.

# Softwarelicentie

LEES AANDACHTIG DE TERMEN EN VOORWAARDEN VAN DEZE LICENTIE ALVORENS U DE VERZEGELDE OMSLAG MET DE SOFTWARE OPEN MAAKT. DOOR HET OPENEN VAN DEZE OMSLAG STEM U ERMEE IN DAT U GEBONDEN BENT DOOR DE VOORWAARDEN VAN DEZE LICENTIE.

Indien u het niet eens bent met de bepalingen van deze licentieovereenkomst, moet u de verpakking van de DVD-ROM ongeopend terugzenden naar de verkoper, samen met de andere onderdelen van het product. De aankoop prijs zal u worden terugbetaald. Er zullen geen terugbetalingen gebeuren indien de verpakking van de DVD-ROM reeds werd opengemaakt of als er onderdelen ontbreken of als de terugbetaling wordt aangevraagd na een periode van tien (10) dagen te beginnen vanaf de datum van aankoop. Uw ontvangstbewijs dient als bewijs van aankoop.

## Definitie

Onder Software wordt begrepen: de bijhorende programma's en de documentatie.

## Licentie

- Deze licentieovereenkomst verleent u het recht om de Software te gebruiken op pc's die aangesloten zijn op een lokaal netwerk. U hebt enkel het recht om de Software te gebruiken om op één multifunctionele terminal af te drukken, u kunt derden niet het gebruikersrecht geven of lenen.
- U hebt het recht om een reservekopie te maken.
- Deze licentie is niet-exclusief en niet-overdraagbaar.

## Eigendom

De fabrikant en zijn leveranciers behouden het eigendomsrecht van de Software. U wordt niet de eigenaar van de DVD-ROM. U kunt de Software of de documentatie niet wijzigen, aanpassen, decompileren, vertalen, een gelijkaardig ontwerp maken, uitlenen of verkopen. Alle niet-uitdrukkelijk verleende rechten zijn voorbehouden voor de fabrikant en zijn leveranciers.

## Duur

Deze licentie zal van kracht zijn totdat zij beëindigd wordt. U kunt deze licentie beëindigen door het programma en de documentatie, evenals alle kopieën daarvan, te vernietigen. Deze licentie zal automatisch beëindigd worden als u de voorwaarden van deze licentie niet naleeft. Als deze licentie ongeldig wordt verklaart, stemt u ermee in om alle kopieën van het programma en de bijbehorende documentatie te vernietigen.

## Garantie

De Software wordt zonder enige waarborg verstrekt, zonder enige uitdrukkelijke of stilzwijgende garantie, met inbegrip van, maar niet beperkt tot, garanties betreffende verkoopbaarheid of geschiktheid voor een bepaald doel. Alle risico's betreffende de resultaten en de goede werking van deze Software zijn op verantwoordelijkheid van de koper. Indien wordt vastgesteld dat het programma niet werkt, zullen alle herstellingskosten of het terug in werking stellen ten koste van de koper zijn.

De houder van deze licentie geniet echter van de volgende garantie: wij garanderen dat de DVD-ROM waarop de Software is opgeslagen, vrij is van hardware- of productiefouten bij gebruik onder normale gebruiksomstandigheden. Deze garantie geldt gedurende een periode van negentig (90) dagen vanaf de datum van de levering. De kopie van

uw ontvangstbewijs telt als bewijs van de datum van aankoop. In het geval de DVD-ROM defecten vertoont die het gevolg zijn van een ongeluk of van verkeerd gebruik ervan, zal deze DVD-ROM niet vervangen worden in het kader van de garantie.

## Verantwoordelijkheid

---

Als de DVD-ROM niet naar behoren werkt, stuur hem dan samen met een kopie van het ontvangstbewijs terug naar uw verkoper. De verkoper is als enige verantwoordelijk voor de vervanging van de DVD-ROM. Noch de fabrikant noch enige andere partij die betrokken is bij het tot stand brengen, produceren, de verkoopbaarheid of levering van dit programma, zal aansprakelijk zijn rechtstreekse, onrechtstreekse of immateriële schade, zoals, maar niet beperkt tot, informatieverlies, tijdverlies, bedrijfsschade, inkomensverlies of klantenverlies ten gevolge van het gebruik of de onmogelijkheid tot gebruik van dit programma.

## Ontwikkeling

---

Met het oog op een voortdurende vooruitgang heeft de fabrikant het recht om de softwarefuncties zonder voorafgaande kennisgeving te verbeteren. Die ontwikkeling geeft de gebruiker niet het recht op gratis updates.

## Geldige wetten

---

Aleen het Franse recht is van toepassing voor deze licentie. Elk geschil voortvloeiend uit de interpretatie of de toepassing van deze licentie wordt onderworpen aan de Rechtbanken van Parijs.

Vanwege de voortdurende technische vooruitgang behoudt de fabrikant het recht om op elk moment en zonder voorafgaande kennisgeving de softwarefuncties te verbeteren voor dit product en/of de productie van dit product stop te zetten. Alle productnamen en merken, die door de respectievelijke houders gedeponeerde merken kunnen zijn, worden hierbij erkend.

## Geregistreerde handelsmerken

---

Vanwege de technische vooruitgang behoudt de fabrikant het recht om op elk moment en zonder voorafgaande kennisgeving de softwarefuncties te verbeteren voor dit product en/of de productie ervan stop te zetten. Companion Suite Pro is een geregistreerd handelsmerk van Sagem Communications.

Adobe® en de vermelde Adobe®- producten zijn geregistreerde handelsmerken van Adobe Systems Incorporated. PaperPort11SE is een geregistreerd handelsmerk van ScanSoft.

Microsoft® Windows 2000®, Microsoft® Windows Server 2003®, Microsoft® Windows XP®, Microsoft® Windows Vista® en alle andere producten van Microsoft® waarnaar hier wordt verwezen, zijn geregistreerde handelsmerken van Microsoft Corporation, geregistreerd en/of gebruikt in de Verenigde Staten en/of in andere landen.

Alle andere merken of producten vermeld ter informatie of als voorbeeld zijn geregistreerde handelsmerken van hun respectievelijke eigenaars.

De gegevens in deze handleiding kunnen worden gewijzigd zonder voorafgaande kennisgeving.

## Namaak

---

Kopieer nooit en druk nooit documenten af waarvan de reproductie door de wet is verboden.

De afdruk en de kopie van de volgende documenten zijn in het algemeen door de wet verboden:

- bankbiljetten;
- cheques;
- obligaties;
- bewijzen van deposito's;
- leningsbewijzen;
- reispassen;
- rijbewijzen.

De bovenstaande lijst wordt enkel als richtlijn gegeven en is niet volledig. Als u twijfelt over de legaliteit van een kopie of een afdruk, raadpleeg dan een juridisch adviseur.

<b>SIKKERHEDSBESTEMMELSER</b>	<b>76</b>
<b>Kære kunde</b>	<b>76</b>
<b>Sikkerhed</b>	<b>76</b>
<i>Sikkerhedsbestemmelser</i>	76
<i>EMC</i>	77
<i>Oplysning til brugere i USA</i>	77
<i>Erklæring om overensstemmelse</i>	77
<i>EME Overensstemmelseserklæring for Canada</i>	77
<i>Laser sikkerhedsinformation</i>	77
<i>For Europa/Asien</i>	78
<i>For Nordamerika</i>	78
<i>Informationer om bestemmelser</i>	78
<i>Placering af sikkerhedsetiketter på maskinen</i>	79
<i>Symboler for strømforsyningskontakt</i>	79
<b>Installation</b>	<b>80</b>
<i>Betingelser for placering</i>	80
<i>Forholdsregler ved brug</i>	80
<i>Sikkerhedsoplysninger</i>	81
<i>Sikkerhed under drift</i>	81
<i>Strømforsyning</i>	82
<i>Regler for brugersymboler</i>	82
<b>Miljøbestemmelser</b>	<b>82</b>
<i>Emballage</i>	82
<i>Batterier og genopladelige batterier</i>	82
<i>Produktet</i>	82
<b>Brugerlicens til software</b>	<b>83</b>
<i>Definition</i>	83
<i>Licens</i>	83
<i>Rettigheder</i>	83
<i>Gyldighedsperiode</i>	83
<i>Garanti</i>	83
<i>Ansvar</i>	83
<i>Udvikling</i>	83
<i>Anvendt jura</i>	84
<i>Registrerede varemærker</i>	84
<i>Ikke tilladte reproduktioner</i>	84

# SIKKERHEDSBESTEMMELSER

## Kære kunde

Før ibrugtagning beder vi dig, for din egen sikkerheds og komforts skyld, nøje at gennemlæse afsnittet **Sikkerhed**.

Ved køb af denne multifunktionsmaskine, har du valgt at anskaffe dig kvalitets produkt. Dit produkt lever op til de mange krav, der stilles til en moderne kontormaskine.

Denne maskine giver dig mulighed for at scanne i farver, faxe, udskrive og kopiere i sort/hvid (**pagepro 1490MF**). Du kan tilslutte din multifunktionsmaskine til din pc (Microsoft Windows 2000/XP/Vista).

Installer den vedlagte software for at bruge multifunktionsmaskinen som printer. Derudover kan du scanne, redigere og gemme dokumenter gennem din pc. Du har mulighed for at kommunikere trådløst med en pc ved hjælp af en WLAN-adapter (ekstraudstyr).

WLAN er kun mulig ved anvendelse af en original adapter, som du kan købe hos din forhandler.

### **pagepro 1490MF:**

Multifunktionsmaskinen lader dig tilslutte en USB DECT-base til af enhedens USB-porte og registrere DECT-håndsæt til denne base. Du kan så foretage og modtage opkald med de registrerede DECT-håndsæt ved brug af multifunktionsmaskinens telefonlinje (standard trådløs brug af telefon).

Stemme-kommunikation er kun mulig ved anvendelse af en original USB DECT-dongle, som du kan købe hos din forhandler.

Takket være dens navigatør og dens adgang til multitasking, er den kraftfuld, brugervenlig og overskuelig.

MFP Laser Multifunktionsmaskiner er udstyret med en 600 dpi-scanner og en sort/hvid-laserprinter med en udskrivningshastighed på 20 udskr./pm. Softwaren Companion Suite Pro medfølger og giver dig mulighed for at bruge din multifunktionsmaskine som en scanner og printer fra din computer. Softwaren giver dig også mulighed for at styre din multifunktionsmaskine.

## Sikkerhed

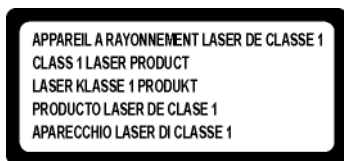
### **Sikkerhedsbestemmelser**

Før du tænder din maskine, bør du sikre dig, at du tilslutter din maskine til en stikkontakt, som overholder forskrifterne, som fremgår af informationslabelen (spænding, strøm, frekvens), der er påsat din maskine. Denne maskine skal tilsluttes mono-faset strømforsyning. Apparatet må ikke installeres, så det står direkte på jorden..

Batterier og genopladelige batterier, emballage, samt elektrisk og elektronisk udstyr (EEE) skal bortskaffes, i overensstemmelse med instruktionerne beskrevet under afsnittet MILJØ i denne manual.

Alt efter modeltype, kan stikkontakten være den eneste mulighed for at frakoble strømmen til produktet, og det er derfor strengt nødvendigt at overholde følgende forskrifter: apparatet skal tilsluttes en kontakt tæt ved produktet. Stikkontakten bør være lettilgængelig.

Din maskine er leveret med et stik med jordforbindelse. Et trebenet stik med jord skal tilsluttes en fastmonteret kontakt med jordforbindelse.



**Reparation og vedligeholdelse** : Lad altid alle indgreb og reparationer foretage af en fagmand. Ingen af de indvendige dele bør repareres af brugeren. For at undgå risiko for at få stød, bør du ikke selv forsøge dig med sådanne operationer, da du ved at åbne eller fjerne et eller flere låg, kan udsætte dig selv for følgende farer:

- Dine øjne kan tage alvorlig skade, hvis de udsættes for laserstråling.
- Kontakt med strømførende dele kan medføre elektrisk stød, hvilket kan have meget alvorlige konsekvenser.

## EMC

### Oplysning til brugere i USA

Dette udstyr er testet og funder i overensstemmelse med grænseværdierne for digitalt udstyr af klasse B, i henhold til afsnit 15 i FCC-reglerne. Disse grænseværdier er fremsat for at yde tilstrækkelig beskyttelse mod skadelig interferens ved installation i beboelsesmiljøer.

Dette udstyr skaber, bruger og kan afgive radiofrekvensenergi. Hvis det ikke installeres eller bruges i overensstemmelse med instruktionerne, kan det forårsage skadelig interferens i radio- og tv-kommunikation. Der er dog ingen garanti for, at der ikke vil forekomme interferens i en bestemt installation.

Hvis dette udstyr har en skadelig indvirkning på radio- eller tv-modtagelsen, hvilket du kan kontrollere ved at slukke og tænde udstyret, kan du forsøge at udbedre forholdene på en eller flere af følgende måder:

1. Juster eller flyt modtagerantennen.
2. Flyt udstyret længere væk fra modtageren.
3. Tilslut udstyret til en stikkontakt i et andet kredsløb end det, modtageren er tilsluttet.
4. Kontakt forhandleren eller en erfaren radio / TV-tekniker for at få hjælp.

### Erklæring om overensstemmelse

Denne enhed er i overensstemmelse med del 15 i FCC bestemmelserne. Brugen er underlagt følgende to betingelser:

1. Denne enhed kan ikke forårsage skadelig interferens, og
2. denne enhed skal acceptere al interferens, som den modtager, inklusive interferens, der kan forårsage uønsket drift.

### EME Overensstemmelseserklæring for Canada

Dette klasse "B" apparat er i overensstemmelse med canadisk ICES-003.

Cet appareil numérique de la classe "B" est conforme à la norme NMB-003 du Canada.

### Laser sikkerhedsinformation

**FORSIGTIG:** Brug af betjening, justeringer, eller udførelse af andre procedurer end dem, der er angivet i denne vejledning, kan resultere i farlig udsættelse for lys.

Dette udstyr er i overensstemmelse med internationale sikkerhedsstandarder og er klassificeret som et Klasse 1 Laser-produkt.

Med særlig reference til lasere er udstyret i overensstemmelse med ydelsesstandarderne for laserprodukt, og er af organisationer, nationale og internationale agenturer klassificeret som et Klasse 1 laser-produkt. Det udsender ikke farlige stråler, da strålen er totalt indelukkret under alle faser af brugerbetjeningen og vedligeholdelsen.

## For Europa/Asien

---

Denne maskine overholder kravene i standarden IEC 60825-1:1993+A1:1997+A2:2001, betragtes som et laserprodukt af klasse 1 og er sikker til kontor/EDB-brug. Den indeholder 1 klasse 3B-laserdiode, maks. 10,72 mW, 770-795 nm og andre lysdioder af klasse 1 (280 µW på 639 nm).

Direkte (eller indirekte reflekteret) øjenkontakt med laserstrålen kan forårsage alvorlig øjenskade. Sikkerhedsregler og låsemekanismerne er udviklet for at forebygge, at brugeren kan blive udsat for eventuelle laserstråler.

## For Nordamerika

---

CDRH-regler.

Dette udstyr overholder kravene i FDA-ydelsesnormerne for laserprodukter undtagen for afvigelser i henhold til Meddelelse Om Laser nr. 50 af den 24. juni 2007 og indeholder 1 klasse 3B-laserdiode, 10,72 milliwatt, med en bølgelængde på 770-795 nanometer og andre lysdioder af klasse 1 (280 µW på 639 nm).

Dette udstyr udsender ikke farligt lys, eftersom strålen er fuldstændig indelukket i alle brugerbetjente drifts- og vedligeholdelsestilstande.

## Informationer om bestemmelser

---

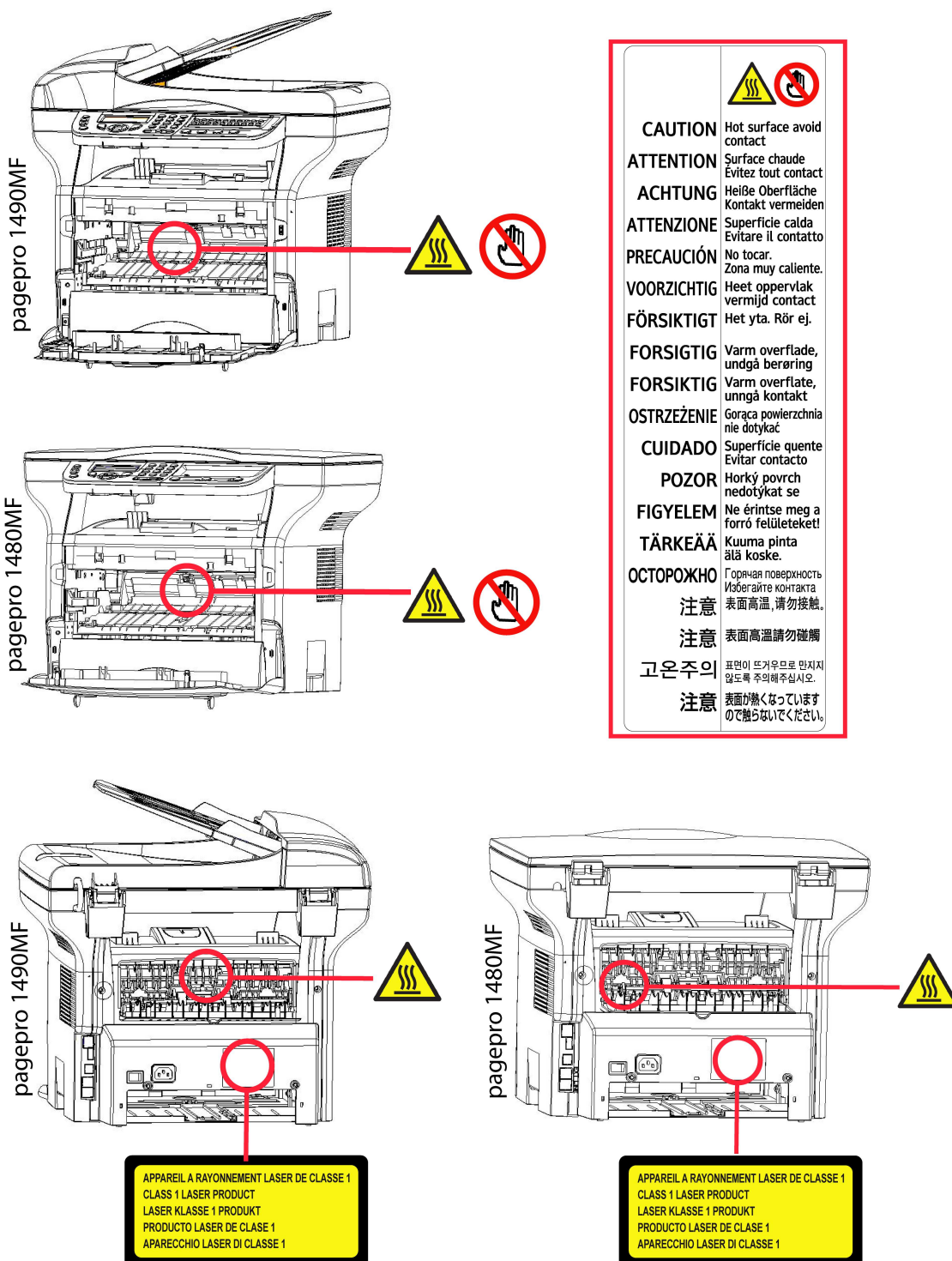
### Godkendelser i Europa

**CE** CE-mærket anvendt på dette produkt symboliserer overensstemmelseserklæring med følgende gældende EU Direktiver, fra de angivne datoer:

- 12. december, 2006:** Kommissions Direktiv 2006/95/EC, ændret. Harmonisering af medlemslandenes love angående lavspændingsudstyr.
- 15. december, 2004:** Kommissions Direktiv 2004/108/EC, ændret. Harmonisering af medlemslandenes love angående elektromagnetisk kompatibilitet.
- 9. marts, 1999:** Kommissionens Direktiv 99/5/EC om radioudstyr og telekommunikationsterminaludstyr og indbyrdes genkendelse af overensstemmelse.



## Placering af sikkerhedsetiketter på maskinen

Af sikkerhedsmæssige grunde er der placeret advarselsetiketter på steder på maskinen, som vist nedenfor. Af hensyn til din egen sikkerhed, bør du undgå at berøre disse flader, når du fjerner papir på grund af papirstop, eller når du skal skifte tonerpatron.



## Symboler for strømforsyningskontakt

Ifølge IEC 60417 standarden, anvendes på maskinen følgende symboler for strømforsyningskontakten:

-  betyder STRØM TIL.
-  betyder STRØM FRA.



# Installation

## Betingelser for placering

---

Ved at vælge en passende placering, sikrer du apparatets lange levetid. Check, at den valgte placering følger nedenstående forholdsregler:

- Vælg en placering med god ventilation.
- Vær opmærksom på at ventilationsgitteret på højre og venstre side af apparatet ikke er dækket. Når du installerer, bør du sørge for at placere maskinen 30 cm fra andre genstande, så det er nemt at komme til alle låger.
- Du bør sikre dig, at der ikke er risiko for udsivning af ammoniak eller andre organiske gasser, der hvor apparatet skal stå.
- Du skal tilslutte apparatet til en stikkontakt med jordforbindelse (se under sikkerhedsvejledning i afsnittet **Sikkerhed**), og den skal være i nærheden af din nye maskine, ligesom den skal være let at komme til.
- **Vær opmærksom på, at apparatet ikke bør stå i direkte sollys.**
- Undgå at placere apparatet i et område, der er udsat for en luftstrøm fra eksempelvis et airconditionanlæg, varme- eller ventilationssystem, eller i et område, som er udsat for store temperatursvingninger eller stor luftfugtighed.
- Vælg en solid og helt vandret overflade at stille maskinen på, og hvor den ikke bliver udsat for voldsomme vibrationer.
- **Placér maskinen således, at der ikke er risiko for at andre genstande kan tildække dens ventilationsåbninger.**
- Placér ikke terminalen i nærheden af gardiner, forhæng eller andre brændbare materialer.
- Vælg en placering, hvor risikoen for sprøjt fra vand eller andre væsker er begrænset.
- Sørg for, at den valgte placering er tør, ren og støvfri.

## Forholdsregler ved brug

---

Tag nedenstående forholdsregler i betragtning, når maskinen bruges.

### Omgivelserne:

- Temperatur: 10 °C til 27 °C med en omgivende fugtighed på mellem 15 til 80% (op til 32°C med en omgivende fugtighed på mellem 15 til 54%).

### Terminal:

I nedenstående afsnit beskrives de forholdsregler, der bør tages, når apparatet bruges:

- Sluk aldrig for apparatet, og åben aldrig for lågerne under udskrivning.
- Brug aldrig gas eller brandbare væsker eller genstande, der kan frembringe magnetiske felter, når du befinder dig i nærheden maskinen.
- Når du tager ledningen ud, bør du altid holde om selve stikket - undlad at trække i ledningen. En beskadiget ledning udgør en potentiel brandårsag eller stødkilde.
- Rør aldrig ved ledninger eller stik med våde hænder. Du risikerer at få elektrisk stød.
- Tag altid stikket ud af kontakten, inden du flytter maskinen. Ellers risikerer du at beskadige ledningen og derved skabe potentiel brand- og/eller stødrisiko.
- Tag altid stikket ud af kontakten, når du planlægger ikke at bruge apparatet i en længere periode.
- Sæt aldrig noget ovenpå ledningen, træk aldrig i ledningen, og buk den aldrig. Gør du det, skaber du en potentiel brandårsag eller risiko for at få elektrisk stød.
- Sørg altid for, at maskinen ikke står ovenpå ledningen eller på kabler til andet elektrisk udstyr. Sørg også for, at hverken kabler, ledninger eller stik er stukket ind i selve maskinen. Dette kan medføre, at maskinen ikke virker, som den skal, eller det kan være en antændelsesårsag.
- Du skal sikre dig, at der er slukket for strømmen til printeren, før du tilslutter eller fjerner et kabel til en anden enhed (brug et afskærmet interfacekabel).
- Forsøg aldrig at fjerne et fastgjort panel eller en afskærmning. Maskinen indeholder højspændingskredsløb. Man risikerer at få elektrisk stød, hvis man rører ved dem.
- Forsøg aldrig at reparere maskinen. Gør du det, skaber du en potentiel brandårsag eller risiko for at få elektrisk stød.

- Sørg altid for, at papirklips, hæfteklammer eller andre små metalgenstande ikke kommer ind i apparatet gennem åbninger til ventilation eller andet. Sådanne genstande udgør en risiko for kortslutning og brand, eller kan være årsag til elektrisk stød.
- Undgå at spilde vand eller anden form for væske på eller i nærheden af maskinen. Enhver kontakt med vand eller anden væske kan medføre forøget brandfare eller fare for elektrisk stød.
- Hvis der alligevel kommer væske eller metalgenstande ind i apparatet, slukkes straks for det, stikket trækkes ud, hvorefter du bør kontakte forhandleren. Ellers risikerer du at udsætte dig selv for brandfare eller for at få elektrisk stød.
- Hvis apparatet udsender varme, røg eller en usædvanlig lugt eller unormal lyd, skal du slukke for maskinen, straks tage stikket ud, og dernæst kontakte forhandleren. Ellers risikerer du at udsætte dig selv for brandfare eller for at få elektrisk stød.
- Undgå at bruge maskinen i tordenvejr, idet det udgør en risiko for elektrisk stød på grund af lynnedslag.
- Flyt ikke maskinen, mens der udskrives.
- Løft maskinen, hvis den skal flyttes.





Sørg for at placere maskinen under velventilerede forhold. Printerens udvikler en lille smule ozon under driften. Der kan sprede sig en ubehagelig lugt fra printeren, hvis den bruges længe og intensivt og under dårligt ventilerede forhold. Af hensyn til sikkerheden bør man derfor sørge for at placere maskinen under velventilerede forhold.

## Sikkerhedsoplysninger

Når du bruger produktet, skal de følgende sikkerhedsregler altid overholdes.

### Sikkerhed under drift

På dette oplysningsark anvendes følgende sikkerhedssymboler:

 <b>ADVARSEL:</b>	<b>Angiver en potentiel farlig situation som, hvis instruktionerne ikke overholdes, kan føre til død eller alvorlig kvæstelse.</b>
 <b>FORSIGTIG:</b>	Angiver en potentiel farlig situation som, hvis instruktionerne ikke overholdes, kan føre til mindre eller moderat kvæstelse eller materiel skade.

### **ADVARSEL**

- Tilslut strømforsyningsledningen til stikket i væggen, og brug aldrig en forlængerledning.
- Tag strømforsyningsstikket ud (ved at trække i stikket, ikke i ledningen), hvis strømforsyningskablet eller stikket bliver afsvedet eller på anden måde beskadiget.
- For at undgå farlige elektriske stød eller udsættelse for laserstråling må du ikke fjerne andre afdækninger eller skruer, end dem der er angivet i Betjeningsvejledningen.
- Sluk for strømmen, og tag stikke ud (ved at trække i stikket, ikke i ledningen), hvis nogen af følgende forhold opstår:
  - Der spilles noget ind i maskinen.
  - Du formoder, at maskinen har brug for service eller reparation.
  - Maskinens afskærmning er blevet beskadiget.
- Afbrænd ikke spildt eller brugt toner. Tonerstøv kan antændes, når det udsættes for åben ild.
- Det kan afleveres hos din godkendte forhandler eller på en genbrugsplads.
- Bortkast den brugte tonerpatron (eller flaske) i overensstemmelsen med de lokale bestemmelser.

### **FORSIGTIG**

- Beskyt maskinen fra damp eller fugtig vejrlig, såsom regn, sne, osv.
- Tag stikket ud af kontakten i væggen, før du flytter maskinen. Når du flytter maskinen, skal du passe på, at strømforsyningsledningen ikke bliver beskadiget under maskinen.
- Når du tager stikket ud af kontakten i væggen, skal du altid trække i stikket (ikke i ledningen).

- Lad ikke papirklips, hæfteklammer eller andre små metalgenstande komme ind i maskinen.
- Opbevar toner (brugt eller ubrugt), tonerpatron (eller flaske), blæk (brugt eller ubrugt) eller blækpatroner uden for børns rækkevidde.
- Pas på ikke at skære dig på skarpe kanter, når du rækker ind i maskinen for at fjerne fastklemt papir eller masters.
- Af hensyn til miljøet må du ikke bortkaste maskinen eller brugte forbrugsstoffer sammen med husholdningsaffaldet. Det kan afleveres hos din godkendte forhandler eller på en genbrugsplads.
- Vore produkter er fremstillet til at imødekomme høje standarder for kvalitet og funktion, og vi anbefaler, at du kun bruger de forbrugsstoffer, der kan leveres gennem en autoriseret forhandler.

## Strømforsyning

Stikkontakten skal være installeret i nærheden af produktet og skal være let tilgængelig.

## Regler for brugersymboler



### ADVARSEL

Angiver vigtige sikkerhedspåbud.

Hvis disse påbud ignoreres, kan det resultere i alvorlige kvæstelser eller død. Sørg for at læse disse påbud. De kan findes i afsnittet Sikkerhedsoplysninger i denne vejledning.



### FORSIGTIG

Angiver vigtige sikkerhedspåbud. Hvis disse påbud ignoreres, kan det resultere i moderate eller mindre kvæstelser eller skade på maskinen og andet

# Miljøbestemmelser

Miljøbeskyttelse er et vigtigt anliggende for fabrikanten. Fabrikanten ønsker at operere med hensyntagen til miljøet og har derfor valgt at integrere miljø i hele livscyklens af dette produkt, lige fra fabrikation til transport, og fra brug til bortskaffelse.

## Emballage



Genbrugslogoet Det Grønne Punkt på maskinen betyder at der ydes et bidrag til en godkendt national organisation der arbejder for at foredre indsamling og genbrug af emballage.

For at gøre dette genbrug lettere, vær da sikker på at du overholder de lokale regler for sortering af affald i dit område.

## Batterier og genopladelige batterier

Hvis produktet indeholder batterier eller genopladelige batterier, bør disse afleveres i beholdere der er opstillet til dette formål.

## Produktet



Den overkrydsede affaldsspand på produktet betyder, at det tilhører gruppen af elektrisk og elektronisk udstyr.

Derfor foreskriver de europæiske bestemmelser, at du bortskaffer den et af følgende steder:

- Hos forhandleren når du køber et tilsvarende produkt.
- På lokale indsamlingssteder (losseplads, private indsamlinger, etc.).

På denne måde hjælper du til genbrug af Elektrisk og Elektronisk Udstyr, hvilket har en betydelig effekt på miljøet og på menneskets sundhed.

# Brugerlicens til software

LÆS OMHYGGELIGT ALLE BETINGELSER OG VILKÅR FOR LICENSEN, FØR DU ÅBNER DEN PLOMBEREDE KONVOLUT, SOM INDEHOLDER SOFTWAREN. NÅR KONVOLUTTEN ÅBNES, BETYDER DET, AT DU ACCEPTERER DISSE BETINGELSER OG VILKÅR.

Hvis du ikke ønsker at acceptere licensbetingelserne, skal du returnere DVD-ROM'en i uåbnet emballage til din forhandler sammen med de øvrige dele af dette produkt. Du vil så få refunderet købsprisen. Der vil ikke finde tilbagebetaling sted, hvis DVD-ROM-pakningen er blevet åbnet, eller hvis der mangler dele, eller hvis tilbagebetalingskravet følger mere end ti (10) dage efter leveringsdagen. Din kvittering gælder som bevis.

## Definition

---

Software angiver programmer med tilhørende dokumentation.

## Licens

---

- Denne licens tillader dig at bruge softwaren på computere tilsluttet et lokalt netværk. Du har kun ret til at bruge denne software til at udskrive på én multifunktionsterminal, du kan ikke udlåne eller overdrage andre retten til at bruge denne software.
- Du har ret til at lave en sikkerhedskopi.
- Denne licens er ikke-eksklusiv og kan ikke overdrages.

## Rettigheder

---

Fabrikanten eller dennes leverandør har alle rettighederne til denne software. Du bliver kun ejer af DVD-ROM'en. Du må ikke ændre, tilpasse, adskille, oversætte eller skabe nogen form for afledt udgave, udleje eller sælge softwaren eller dokumentationen. Alle rettigheder tilhører fabrikanten eller dennes leverandør.

## Gyldighedsperiode

---

Denne licens er gyldig, indtil den udløber. Du kan gøre den uvirksom ved at tilintetgøre programmet og dokumentationen samt kopier heraf. Denne licens ugyldiggøres automatisk, hvis du ikke respekterer vilkårene i licensen. I tilfælde af ugyldiggørelse, indvilliger du i at destruere alle kopier af program og dokumentation.

## Garanti

---

Denne software stilles til rådighed "som den er" uden nogen form for garanti, hverken direkte eller indirekte, herunder også uden begrænsning, alle garantier for kommerciel anvendelse eller egnethed til specifikke formål; alle risici angående resultat og ydelse af denne software påhviler køberen. Viser det sig, at programmet er defekt, påhviler alle reparations- og serviceudgifter køber.

Ikke desto mindre, har licensens ejer ret til følgende garanti: vi garanterer, at DVD-ROM'en, på hvilken softwaren ligger, er fri for hardware eller fabrikationsfejl, såfremt den anvendes under normal forhold, garantien er gyldig i halvfems (90) dage at regne fra produktets leveringsdato, kopien af kvittering er bevis på købet. I tilfælde af at en fejl på DVD-ROM'en skyldes uheld eller fejlanvendelse, vil DVD-ROM'en ikke blive erstattet under garantien.

## Ansvar

---

Hvis DVD-ROM'en ikke fungerer korrekt, sendes den retur til forhandleren sammen med en kopi af kvitteringen. Det er forhandlerens alene, der er afgør om DVD-ROM'en erstattes. Hverken fabrikanten, eller hvem der ellers måtte være involveret i udvikling, produktion, salg eller levering af dette program, kan drages til ansvar for direkte, indirekte eller immaterielle fejl og mangler, såsom, men ikke begrænset til: informationstab, tab af tid, af udnyttelse, af indkomst eller af kunder som følge af programmets anvendelse eller dets uanvendelighed.

## Udvikling

---

I bestræbelsen for den vedvarende udvikling, forbeholder fabrikanten sig retten til at modificere softwarens specifikationer uden forud at informere herom. Medfører udviklingen ændringer, giver din brugsret dig ikke ret til gratis opdateringer.

## Anvendt jura

---

Denne licens gives under fransk lovgivning. Enhver tvist som følger af fortolkninger af denne licens vil blive behandlet af Retten i Paris.

På grund af den løbende teknologiske udvikling, forbeholder fabrikantens sig retten til at modificere produktets tekniske specifikationer til hver en tid, uden først at informere herom og/eller at stoppe produktionen af dette produkt. Alle produktnavne og mærker, som måtte være varemærker registreret af deres respektive ejere anerkendes i dette dokument.

## Registrerede varemærker

---

På grund af den løbende teknologiske udvikling, forbeholder fabrikantens sig retten til at modificere de tekniske specifikationer for dette produkt og/eller stoppe fabrikationen af produktet til enhver tid og uden forudgående bekendtgørelse. Companion Suite Pro er et registreret varemærke fra Sagem Communications.

Adobe® og øvrige produkter fra Adobe® er registrerede varemærker fra Adobe Systems Incorporated.

PaperPort11SE er et registreret varemærke fra ScanSoft.

Microsoft® Windows 2000®, Microsoft® Windows Server 2003®, Microsoft® Windows XP®, Microsoft® Windows Vista® og alle andre Microsoft® produkter, der refereres til her, er registrerede varemærker for Microsoft Corporation registreret og/eller anvendt i USA og/eller i andre lande.

Alle andre mærker eller produkter, der refereres til i form af eksempler eller for at give yderligere oplysninger, er varemærker, registreret af deres respektive ejere.

Der tages forbehold mod ændringer i denne brugervejledning uden forudgående varsel.

## Ikke tilladte reproduktioner

---

Kopier aldrig og udskriv aldrig dokumenter, som loven forbyder at reproducere.

Kopiering eller udskrivning af følgende dokumenter er generelt forbudt ved lov:

- pengesedler;
- checks,
- aktier,
- obligationer;
- bankdepotbeviser;
- pas;
- kørekort.

Ovenstående liste tjener til eksempel, men er ikke udtømmende. I tilfælde af tvivl om lovligheden af kopiering eller udskrivning af visse dokumenter, bør man henvende sig til en advokat.

<b>SÄKERHETSFÖRESKRIFTER</b>	<b>86</b>
<b>Till kunden</b>	<b>86</b>
<b>Säkerhet</b>	<b>86</b>
<i>Säkerhetsföreskrifter</i>	86
<i>Elektromagnetisk kompatibilitet</i>	87
<i>Meddelande till användare i USA</i>	87
<i>Intyg om överensstämmelse</i>	87
<i>EME-överensstämmelse för Kanada</i>	87
<i>Säkerhetsanvisningar gällande laser</i>	87
<i>För Europa/Asien</i>	88
<i>För Nordamerika</i>	88
<i>Information om gällande bestämmelser</i>	88
<i>Certifieringar i Europa</i>	88
<i>Säkerhetsetiketternas placering på maskinen</i>	89
<i>Huvudströmbrytarens symboler</i>	89
<b>Installation</b>	<b>90</b>
<i>Placering</i>	90
<i>Försiktighet vid användning</i>	90
<i>Säkerhetsanvisningar</i>	91
<i>Säkerhet vid användning</i>	91
<i>Strömförsörjning</i>	92
<i>Symbolregler</i>	92
<b>Miljö</b>	<b>92</b>
<i>Förpackningen</i>	92
<i>Batterier – engångs och uppladdningsbara</i>	92
<i>Produkten</i>	92
<b>Licensavtal för användning av programvaran</b>	<b>93</b>
<i>Definition</i>	93
<i>Licens</i>	93
<i>Äganderätt</i>	93
<i>Giltighetstid</i>	93
<i>Garanti</i>	93
<i>Ansvar</i>	93
<i>Utveckling</i>	93
<i>Tillämplig lag</i>	94
<i>Registrerade varumärken</i>	94
<i>Förbjuden återgivning</i>	94

# SÄKERHETSFÖRESKRIFTER

## Till kunden

Genom att köpa den här multifunktionella maskinen har du valt en kvalitetsprodukt. Din enhet uppfyller alla olika krav som ställs på en modern kontorsmaskin.

Med den här enheten kan du skanna i färg, faxa, skriva ut och kopiera i svartvitt (**pagepro 1490MF**). Du kan ansluta den multifunktionella enheten till din dator (Microsoft Windows 2000/XP/Vista).

Installera medföljande programvara för att använda enheten som skrivare. Dessutom kan du skanna, redigera och spara dokument med hjälp av din dator. Om du har en WLAN-adapter (Wireless Local Area Network) (tillval) kan du kommunicera trådlöst med en dator.

WLAN är ett alternativ som enbart fungerar med en särskild adapter som du kan köpa hos din återförsäljare.

### **pagepro 1490MF:**

Den multifunktionella enheten låter dig ansluta en USB-DECT-basenheter till en av USB-portarna på enheten och registrera DECT-handenheter till basenheten. Du kan ringa och ta emot samtal med de registrerade DECT-handenheter med hjälp av den multifunktionella maskinens telefonlinje (vanlig användning av sladdlös telefon).

Röstkommunikation är ett alternativ som enbart fungerar med en särskild USB DECT-dongel som du kan köpa hos din återförsäljare.

Tack vare sin navigering och möjligheten till multiuppgiftskörning är enheten funktionell, användarvänlig och lätthanterlig.

MFP Laser multifunktionella maskiner är försedda med en 600 dpi skanner och en svartvit laserskrivare med en utskriftshastighet på 20 ark/minut. Med den medföljande programvaran Companion Suite Pro kan du använda enheten som skanner och skrivare från en dator. Den ger dig även möjlighet att göra inställningar och styra den multifunktionella enheten.

## Säkerhet

### **Säkerhetsföreskrifter**

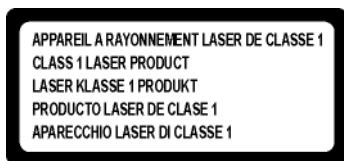
---

Innan du slår på enheten ska du kontrollera att uttaget som du ska ansluta enheten till uppfyller kraven på enhetens plakett (spänning, strömstyrka, strömfrekvens). Enheten får endast försörjas med enfasström. Enheten får inte installeras på bar mark.

Batterier och uppladdningsbara batterier, emballage och elektrisk och elektronisk utrustning skall kasseras i enlighet med anvisningarna i miljökapitlet i den här bruksanvisningen.

Beroende på maskinens modell är det enda sättet att koppla från enheten att dra ur nätsladden och därför är det ytterst viktigt att vidta följande säkerhetsåtgärder: Enheten ska anslutas till ett närliggande uttag. Uttaget skall vara lättillgängligt.

Enheten levereras med en jordad nätsladd. Det är absolut nödvändigt att den jordade kontakten kopplas till ett jordat uttag som i sin tur är kopplat till byggnadens jordanslutning.



**Reparationer - underhåll:** Reparationer och underhåll får endast utföras av en behörig tekniker. Användaren får inte utföra reparationer på komponenterna inuti enheten. För att minska risken för elektriska stötar ska du inte utföra dessa operationer själv eftersom du utsätter dig för dubbel risk om du öppnar eller tar bort locken:

- Laserstrålen kan skada synen permanent.
- Kontakt med högspänningskomponenter kan orsaka elektriska stötar med allvarliga konsekvenser.

## Elektromagnetisk kompatibilitet

### Meddelande till användare i USA

Denna utrustning har testats och funnits överensstämma med begränsningarna för en digital enhet av klass B, i enlighet med del 15 av FCC-reglerna. Dessa begränsningar är utformade för att ge skäligt skydd mot skadliga störningar vid bostadsinstallation.

Utrustningen genererar, använder och kan utstråla radiofrekvensenergi och kan, om den inte installeras och används i enlighet med instruktionerna, orsaka skadliga störningar för radiokommunikation. Men det finns ingen garanti att störningar inte uppstår i en viss installation.

Om denna utrustning orsakar skadliga störningar för radio- och tv-mottagning, som kan fastställas genom att stänga av och slå på utrustningen, uppmanas användaren försöka korrigera störningen genom något av följande:

- 1 Omorientering eller omplacering av den mottagande antennen.
- 2 Utökning av avståndet mellan utrustningen och mottagaren.
- 3 Anslutning av utrustningen till ett uttaget i en annan krets än den som mottagaren är ansluten till.
- 4 Kontakt butiken eller en erfaren radio- / TV-tekniker för hjälp.

### Intyg om överensstämmelse

Denna enhet överensstämmer med del 15 i FCC:s bestämmelser. Användningen av produkten lyder under följande två villkor:

1. Enheten får inte orsaka skadliga störningar och
2. enheten måste acceptera alla störningar som tas emot, inklusive sådana störningar som kan orsaka oönskad funktion.

### EME-överensstämmelse för Kanada

Denna digitala apparat av klass B överensstämmer med kanadensiska ICES-003.

Cet appareil numérique de la classe "B" est conforme à la norme NMB-003 du Canada.

## Säkerhetsanvisningar gällande laser

**FÖRSIKTIGHET:** Användandet av kontroller, justeringar eller utförandet av procedurer som inte har specificerats i den här handboken kan resultera i skadlig ljusexponering.

Denna utrustning överensstämmer med internationella säkerhetsstandarder och är en laserprodukt av klass 1.

Utrustningen överensstämmer, med särskilt avseende på laser, med de standarder för laserprodukters utförande som av nationella och internationella certifieringsföretag har klassificerats som laserprodukter av klass 1. Den ger inte ifrån sig något skadligt ljus eftersom laserstrålen är fullkomligt innesluten under all användning och allt underhåll som utförs av användaren.



## För Europa/Asien

---

Denna maskin överensstämmer med standarden IEC 60825-1:1993+A1:1997+A2:2001 och är en laserprodukt av klass 1 som är säker för användning på kontor/inom elektronisk databehandling. Den innehåller en laserdiod av klass 3B, max 10,72 mW, 770-795 nm och andra lysdioder av klass 1 (280 µW vid 639 nm).

Direkt (eller indirekt reflekterad) ögonkontakt med laserstrålen kan orsaka allvarliga ögonskador. Säkerhetsåtgärder och låsmekanismer har utformats för att förhindra möjlig laserexponering för användaren.

## För Nordamerika

---

CDRH-föreskrifter.

Denna utrustning överensstämmer med FDA:s standarder för laserprodukters utförande med undantag för avvikelser i enlighet med "Laser Notice No.50" från den 24 juni 2007, och innehåller en laserdiod av klass 3B, 10,72 milliwatt, 770-795 nanometers våglängd och andra lysdioder av klass 1 (280 µW vid 639 nm).

Utrustningen avgör inte farligt ljus, eftersom strålen är helt inkapslad under alla kundlägen för användning och underhåll.

## Information om gällande bestämmelser

---

### Certifieringar i Europa

---

**CE** CE-märkningen som tillämpas på den här produkten symboliserar överensstämmelseförklaring gällande följande EU-direktiv, per de datum som anges:

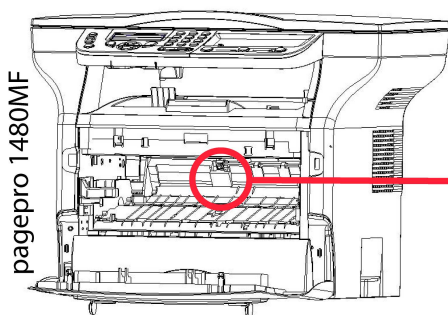
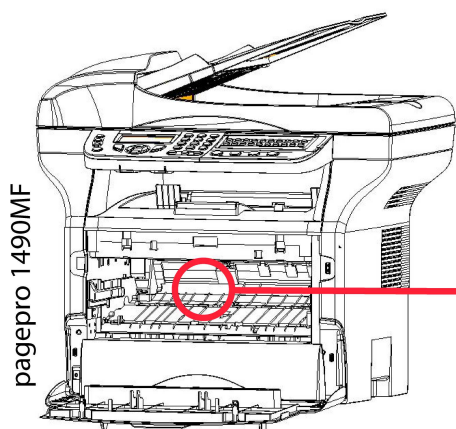
**12 december 2006:** Rådskdirektiv 2006/95/EC enligt ändring. Närmande av medlemsstaternas lagar gällande lågspänningsutrustning.

**15 december 2004:** Rådskdirektiv 2004/108/EC enligt ändring. Närmande av medlemsstaternas lagar gällande elektromagnetisk kompatibilitet.

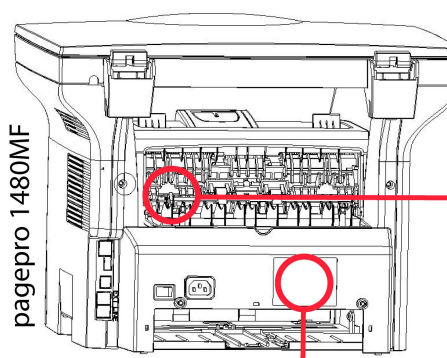
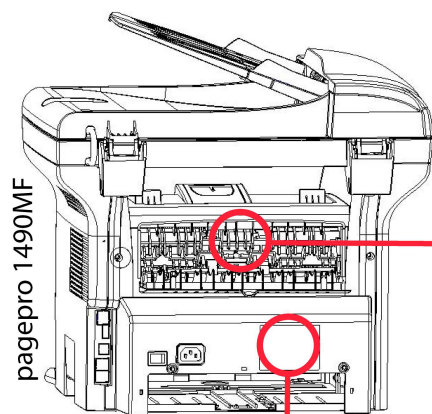
**9 mars 1999:** Rådskdirektiv 99/5/EC gällande radioutrustning och teleterminalutrustning och det ömsesidiga erkännandet av konformitet.

## Säkerhetsetiketternas placering på maskinen

Av säkerhetsskäl har varningsmärken placerats på enheten på de ställen som anges nedan. För din egen säkerhet ska du inte röra vid dessa ytor då du åtgärdar pappersstopp eller byter tonerkassett.



<b>CAUTION</b>	Hot surface avoid contact
<b>ATTENTION</b>	Surface chaude Évitez tout contact
<b>ACHTUNG</b>	Heiße Oberfläche Kontakt vermeiden
<b>ATTENZIONE</b>	Superficie calda Evitare il contatto
<b>PRECAUCIÓN</b>	No tocar. Zona muy caliente.
<b>VOORZICHTIG</b>	Heet oppervlak vermijd contact
<b>FÖRSIKTIGT</b>	Het yta. Rör ej.
<b>FORSIGTIG</b>	Varm overflade, undgå berøring
<b>FORSIKTIG</b>	Varm overflade, undgå kontakt
<b>OSTRZEŻENIE</b>	Gorąca powierzchnia nie dotykac
<b>CUIDADO</b>	Superficie quente Evitar contacto
<b>POZOR</b>	Horký povrch nedotýkat se
<b>FIGYELEM</b>	Ne érintse meg a forró felületeket!
<b>TÄRKEÄÄ</b>	Kuuma pinta älä koske.
<b>ОСТОЖИВО</b>	Горячая поверхность Избегайте контакта
<b>注意</b>	表面高温、请勿接触。
<b>注意</b>	表面高温請勿碰觸
<b>고온주의</b>	표면이 뜨거우므로 만지지 않도록 주의하십시오.
<b>注意</b>	表面が熱くなっていますので触らないでください。



APPAREIL A RAYONNEMENT LASER DE CLASSE 1  
CLASS 1 LASER PRODUCT  
LASER KLASSE 1 PRODUKT  
PRODUCTO LASER DE CLASE 1  
APARECCHIO LASER DI CLASSE 1

APPAREIL A RAYONNEMENT LASER DE CLASSE 1  
CLASS 1 LASER PRODUCT  
LASER KLASSE 1 PRODUKT  
PRODUCTO LASER DE CLASE 1  
APARECCHIO LASER DI CLASSE 1

## Huvudströmbrytarens symboler

I enlighet med IEC 60417 använder enheten följande symboler för huvudströmbrytaren:

- betyder PÅ;
- betyder AV.

# Installation

## Placering

---

Genom att välja lämplig placering av enheten förlänger du dess livslängd. Kontrollera att valt installationsställe uppfyller följande krav:

- Välj en plats med god ventilation.
- Kontrollera att ventilationsöppningarna på enhetens höger- och vänstersida inte är blockerade. När du installerar enheten ska du se till att det finns ett utrymme på 30 cm mellan enheten och andra föremål så att luckorna lätt kan öppnas.
- Kontrollera att installationsstället är fritt från ammoniak och andra organiska gaser.
- Jorduttaget (se säkerhetsföreskrifterna i kapitlet **Säkerhet**) som du ska ansluta enheten till måste befinna sig nära enheten och vara lättillgängliga.
- **Utsätt inte enheten för direkt solljus.**
- Placera inte enheten där den utsätts för direkt luftflöde från luftkonditionering, värmekällor eller ventilationssystem eller där temperatur och fuktighet varierar kraftigt.
- Placera enheten på en stabil horisontal yta där den inte kan utsättas för starka vibrationer.
- **Håll enheten borta från föremål som kan blockera ventilationsöppningarna.**
- Placera inte enheten nära draperier eller andra lättantändliga föremål.
- Placera inte enheten där vatten eller andra vätskor kan skvätta på enheten.
- Se till att platsen är torr, ren och fri från damm.

## Försiktighet vid användning

---

Iaktta nedanstående försiktighetsåtgärder när du använder enheten.

### Driftsmiljö:

- Temperatur: 10 °C till 27 °C [50 °F till 80,6 °F] med omgivande luftfuktighet på mellan 15 och 80 % (upp till 32°C [89,6 °F] med en omgivande luftfuktighet på mellan 15 och 54 %).

### Maskin:

Avsnittet nedan beskriver de försiktighetsåtgärder som ska iakttas vid användning av enheten:

- Stäng aldrig av enheten och öppna aldrig luckorna medan utskrift pågår.
- Använd aldrig gaser, lättantändliga vätskor eller föremål som genererar magnetiska fält i närheten av maskinen.
- Håll i kontakten och inte i nätsladden när du drar ur nätsladden. En skadad sladd kan innebära risk för elektriska stötar eller brand.
- Rör aldrig vid nätsladden med fuktiga händer. Du riskerar att få stötar.
- Koppla alltid ur nätsladden innan du flyttar på enheten. Du riskerar annars att skada sladden och orsaka risk för brand eller stötar.
- Dra alltid ur nätsladden om enheten inte skall användas under en längre tid.
- Placera aldrig föremål på nätsladden, dra aldrig i den och vik den aldrig. Detta kan orsaka risk för brand eller elektriska stötar.
- Se till att enheten inte är placerad på nätsladden eller på andra kommunikationskablar. Se även till att ingen sladd eller kabel förs in i enhetens inre. Detta kan göra att enheten inte fungerar korrekt eller orsaka risk för brand.
- Kontrollera att skrivaren inte är inkopplad i uttaget innan du ansluter eller kopplar från en gränssnittskabel till skrivaren (använd en skärmad gränssnittskabel).
- Försök aldrig att ta bort kåpor eller skydd som är fastskruvade. Enheten innehåller högspänningskretsar. Kontakt med sådana strömkretsar kan medföra risk för elektriska stötar.
- Försök aldrig att modifiera enheten på något sätt. Detta kan orsaka risk för brand eller elektriska stötar.
- Låt inte gem, häftklammar eller andra metallföremål komma in genom enhetens ventilationshål eller andra öppningar. Sådana föremål kan orsaka risk för brand eller elektriska stötar.
- Se till att inget vatten eller annan vätska spills ut på enheten eller i närheten av denna. Vätska som kommer i kontakt med enheten medför risk för brand eller elektriska stötar.

- Om vätska eller metallföremål kommer in i enheten ska du omedelbart stänga av enheten, dra ur nätsladden och kontakta din återförsäljare. Annars kan du utsättas för brandrisk eller elektriska stötar.
- Om enheten ger ifrån sig stark värme, rök, ovanlig lukt eller onormala ljud ska du stänga av enheten, dra ur nätsladden och omedelbart kontakta din återförsäljare. Annars kan du utsättas för brandrisk eller elektriska stötar.
- Undvik att använda enheten under åskväder eftersom blixtnedslag kan medföra risk för elektriska stötar.
- Flytta inte terminalen när utskrift pågår.
- Lyft alltid terminalen om du vill flytta den.



Se till att placera enheten på en plats med god ventilation. Då enheten används bildas en liten mängd ozon. Om skrivaren används intensivt på en plats med dålig ventilation kan lukten kännas lite obehaglig. För säker användning ska du se till att enheten är placerad i ett rum med god ventilation.

## Säkerhetsanvisningar

lakta följande försiktighetsåtgärder då du använder produkten.

### Säkerhet vid användning

Följande symboler används:

<b>VARNING:</b>	<b>Gör dig uppmärksam på potentiellt farliga situationer som kan orsaka dödsfall eller allvarliga skador om anvisningarna inte följs.</b>
<b>FÖRSIKTIGHET:</b>	Gör dig uppmärksam på potentiellt farliga situationer som kan orsaka lätta till medelsvåra personskador eller egendomsskador om anvisningarna inte följs.

### **VARNING**

- Koppla in nätsladden direkt i vägguttaget. Använd aldrig en förlängningssladd.
- Koppla ur kontakten (genom att dra i kontakten, inte i sladden) om nätsladden eller kontakten är nött eller skadad.
- För att undvika att utsättas för elektriska stötar eller laserstrålning ska du inte ta bort några andra luckor, kåpor, skydd eller skruvar än de som nämns i bruksanvisningen.
- Stäng av enheten och dra ur kontakten (genom att dra i kontakten, inte i sladden) om något av följande inträffar:
  - Du spiller vätska in i enheten.
  - Du misstänker att enheten behöver underhåll eller repareras.
  - Enheten har skadats utvändigt.
- Förbränn inte utspild eller förbrukad toner. Tonerdamm kan antändas om det utsätts för öppen eld.
- Bortskaffande kan ske hos behöriga återförsäljare eller avsedda återvinningsstationer.
- Kassera använda tonerkassetter (eller tonerflaskor) i enlighet med lokala bestämmelser.

### **FÖRSIKTIGHET**

- Skydda enheten från fukt och nederbörd såsom regn, snö osv.
- Dra ut nätsladden ur vägguttaget innan du flyttar produkten. Se till att nätsladden inte skadas under enheten när du flyttar enheten.
- När du kopplar ur nätsladden från vägguttaget ska du alltid dra i kontakten (inte i sladden).
- Se till att inte gem, häftklammer eller andra små metallföremål ramlar in i enheten.
- Förvara toner (förbrukad eller oanvänd), tonerkassetter (eller tonerflaskor), bläck (förbrukat eller oanvänt) och bläckpatroner utom räckhåll för barn.
- Var försiktig när du stoppar in handen inuti enheten för att ta bort papper som fastnat, så att du inte skär dig på vassa kanter.

- Av hänsyn till miljön ska du inte kasta produkten eller använt förbrukningsmaterial i en återvinningsstation för hushållsavfall. Bortskaffande kan ske hos behöriga återförsäljare eller avsedda återvinningsstationer.
- Våra produkter är utformade för att möta höga krav på kvalitet och funktionalitet och vi rekommenderar att du enbart använder förbrukningsmaterial som tillhandahålls av behöriga återförsäljare.

## Strömförsörjning

---

Eluttaget ska finnas lättillgängligt och vara installerat nära enheten.

## Symbolregler

---



### VARNING

Viktiga säkerhetsmeddelanden.

Att ignorera dessa kan orsaka allvarliga skador eller dödsfall. Var noga med att läsa dessa meddelanden. Du hittar dem i avsnittet Säkerhetsanvisningar i denna bruksanvisning.



### FÖRSIKTIGHET

Viktiga säkerhetsmeddelanden.

Att ignorera dess kan orsaka lätta till medelsvåra personskador eller egendomsskador. Var noga med att läsa dessa meddelanden. Du hittar dem i avsnittet Säkerhetsanvisningar i denna bruksanvisning.

# Miljö

Tillverkaren tar stor hänsyn till skyddet av miljön. Tillverkaren önskar visa omsorg för miljön och har valt att hantera sina produkter på ett miljövänligt sätt under hela deras livslängd, inklusive under tillverkning, användning och kassering.

## Förpackningen

---



Logot (en grön prick) betyder att en godkänd riksorganisation finansieras för att förbättra återvinnings- och miljöstationer.

För att underlätta återvinningen se till att du följer de lokala bestämmelserna för sortering av avfall.

## Batterier – engångs och uppladdningsbara

---

Om din apparat använder batterier – engångs- eller uppladdningsbara – bör de lämnas till lämplig återvinningsstation.

## Produkten

---



Papperskorgen med kors på visar att produkten tillhör kategorin elektrisk och elektronisk utrustning.

Därför måste produkten, enligt de europeiska bestämmelserna, lämnas in:

- Till återförsäljaren om du köper en liknande produkt.
- Till en lokal miljöstation (soptipp, återvinningsstation etc.).

Således deltar du i återvinningen av avfall från elektrisk eller elektronisk utrustning som kan ha negativa effekter på miljön och människors hälsa.

# Licensavtal för användning av programvaran

LÄS NOGGRANT IGENOM ALLA VILLKOR OCH BESTÄMMELSER I DET HÄR LICENSAVTALET INNAN DU ÖPPNAR DET FÖRSEGLADE KUVERTET SOM INNEHÅLLER PROGRAMVARAN. GENOM ATT ÖPPNA KUVERTET GODKÄNNER DU DESSA VILLKOR OCH BESTÄMMELSER.

Om du inte godkänner detta licensavtal ska du skicka tillbaka dvd-romförpackningen oöppnad till din återförsäljare tillsammans med produktens alla komponenter. Vi betalar tillbaka pengarna för inköpet av produkten. Ingen ersättning betalas vid förstörd dvd-romförpackning, om komponenter saknas eller om ersättningsbegäran kommer in senare än tio (10) dagar efter inköpsdatum. Ditt kvitto gäller som inköpsbevis.

## Definition

---

Med programvaran avses program och tillhörande dokumentation.

## Licens

---

- Licensen ger dig rätt att använda programvaran på persondatorer anslutna till ett lokalt nätverk. Du har endast rätt att använda programvaran för utskrift på en enda multifunktionell maskin. Du kan inte låna ut eller överlåta rätten att använda programvaran till någon annan.
- Du får skapa en säkerhetskopia.
- Licensen är icke exklusiv och får ej överlåtas.

## Äganderätt

---

Tillverkaren eller leverantören behåller äganderätten till programvaran. Du blir endast ägare till dvd-romskivan. Du får inte modifiera, anpassa, dekompile, översätta, skapa en anpassad kopia av, låna ut eller sälja programvaran eller dess dokumentation. Rättigheter som inte uttryckligen beviljas häri förbehålls av tillverkaren eller dess leverantörer.

## Giltighetstid

---

Denna licens gäller tills den sägs upp. Du kan säga upp detta licensavtal genom att förstöra programmet och dess dokumentation samt eventuella kopior av dessa. Licensen upphör automatiskt att gälla om du inte respekterar licensavtalets villkor. Om licensen sägs upp förpliktar du dig att förstöra alla kopior av programmet och tillhörande dokumentation.

## Garanti

---

Programvaran tillhandahålls i befintligt skick. Tillverkaren lämnar ingen som helst garanti, försäkran eller utfästelse avseende programvaran, vare sig uttryckligen eller underförstått, inklusive och utan begränsning alla garantier gällande säljbarhet eller lämplighet för något speciellt syfte. Köparen åtar sig alla risker gällande programvarans prestanda. Om programmet är felaktigt betalas alla reparations- och servicekostnader av köparen.

Emellertid lämnas licensinnehavaren följande garanti: Vi garanterar att dvd-romskivan på vilken programvaran är inspelad är fysiskt felfri och utan tillverkningsfel om den används under normala förhållanden, under nittio (90) dagar räknat från leveransdatum. Kopior av kvittot gäller som inköpsintyg. Om fel uppstår på dvd-romskivan till följd av en olyckshändelse eller felaktig användning ersätts inte dvd-romskivan inom ramen för garantin.

## Ansvar

---

Om dvd-romskivan inte fungerar ordentligt ska du skicka den till återförsäljaren tillsammans med en kopia på kvittot. Återförsäljarens enda ansvar är att byta dvd-romskivan. Varken tillverkaren eller någon av dem som medverkat till utvecklingen, produktionen, försäljningen eller leveransen av detta program kan hållas ansvarig för direkta, indirekta eller immateriella förluster inklusive, men inte begränsat till, all förlust av data, tid, inkomster eller kunder som uppstår till följd av användningen av eller oförmågan att använda programmet.

## Utveckling

---

Tillverkaren utvecklar ständigt sina produkter och förbehåller sig rätten att modifiera programvarans specifikationer utan föregående varsel. Eventuella vidareutvecklingar ger inte användaren rätt till kostnadsfria uppdateringar.

## Tillämplig lag

---

Den här licensen lyder under fransk lag. Eventuella tvister om hur licensavtalet skall tolkas och följas avgörs av domstolen i Paris.

Med hänsyn till den kontinuerliga tekniska utvecklingen förbehåller sig tillverkaren rätten att utan föregående varsel när som helst modifiera de tekniska specifikationerna för denna produkt och/eller sluta tillverka produkten. Alla eventuella produktnamn och produktmärken som omnämns häri kan vara varumärken registrerade av sina respektive ägare.

## Registrerade varumärken

---

Med hänsyn till den tekniska utvecklingen förbehåller sig tillverkaren rätten att när som helst och utan föregående varsel modifiera den här produktens tekniska specifikationer och/eller sluta tillverka produkten. Companion Suite Pro är ett registrerat varumärke som tillhör Sagem Communications.

Adobe® och Adobe®-produkterna som omnämns häri är registrerade varumärken som tillhör Adobe Systems Incorporated.

PaperPort11SE är ett registrerat varumärke som tillhör ScanSoft.

Microsoft® Windows 2000®, Microsoft® Windows Server 2003®, Microsoft® Windows XP®, Microsoft® Windows Vista® och andra Microsoft®-produkter som omnämns häri är registrerade varumärken som tillhör Microsoft Corporation i USA och/eller andra länder.

Alla andra märken eller produkter som häri omnämns som exempel eller i informationssyfte är registrerade varumärken som tillhör sina respektive ägare.

Uppgifterna i denna bruksanvisning kan komma att ändras utan föregående varsel.

## Förbjuden återgivning

---

Kopiera aldrig och skriv aldrig ut dokument vars återgivning är förbjuden enligt lag.

Utskrift och kopiering av följande dokument är i allmänhet förbjudna enligt lag:

- banksedlar;
- checkar;
- obligationer;
- aktiebrev;
- bankväxlar;
- pass;
- körkort.

Ovanstående lista är enbart en fingervisning och inte en uttömmande lista. Om du är osäker på lagligheten gällande kopiering eller utskrift av vissa dokument ska du kontakta en juridisk rådgivare.

<b>SIKKERHETSFORSKRIFTER</b>	<b>96</b>
<b>Kjære kunde</b>	<b>96</b>
<b>Sikkerhet</b>	<b>96</b>
<i>Sikkerhetsforskrifter</i>	96
<i>EMC</i>	97
<i>Merknad for brukere i USA</i>	97
<i>Samsvarserklæring</i>	97
<i>EME overholdelse for Canada</i>	97
<i>Laser Sikkerhetsinformasjon</i>	97
<i>For Europa/Asia</i>	98
<i>For Nord-Amerika</i>	98
<i>Lovbundet informasjon</i>	98
<i>Sertifisering i Europa</i>	98
<i>Sikkerhetsetikettens plassering på maskinen</i>	99
<i>Symboler for strømbryteren</i>	99
<b>Installasjon</b>	<b>100</b>
<i>Plassering</i>	100
<i>Forholdsregler ved bruk</i>	100
<i>Sikkerhetsinformasjon</i>	101
<i>Sikkerhet Under Bruk</i>	101
<i>Strømtilførsel</i>	102
<i>Bruk av symboler</i>	102
<b>Miljø</b>	<b>102</b>
<i>Emballasje</i>	102
<i>Batterier</i>	102
<i>Produktet</i>	102
<b>Brukslisens for programvaren</b>	<b>103</b>
<i>Definisjon</i>	103
<i>Lisens</i>	103
<i>Eiendomsrett</i>	103
<i>Varighet</i>	103
<i>Garanti</i>	103
<i>Ansvar</i>	103
<i>Produktutvikling</i>	103
<i>Gjeldende lovgivning</i>	104
<i>Registrerte varemerker</i>	104
<i>Forbudte kopieringer</i>	104



# SIKKERHETSFORSKRIFTER

## Kjære kunde

Ved å kjøpe denne multifunksjonsterminalen har du valgt et kvalitetsprodukt. Ditt apparat tilfredsstiller de forskjellige spesifikasjonene til et automatisert verktøy på et moderne kontor.

Dette apparatet lar deg skanne i farger, fakse, skrive ut, og kopiere i sort/hvit (**pagepro 1490MF**). Du kan koble multifunksjonsterminalen til din PC (Microsoft Windows 2000/XP/Vista).

Installer den vedlagte programvaren for å bruke multifunksjonsterminalen som en skriver. I tillegg kan du skanne, behandle og lagre dokumenter via PCen. Om du har en WLAN-adapater (Wireless Local Area Network - valgfritt utstyr) kan du oppnå trådløs forbindelse med en PC.

WLAN er ekstrautstyr som bare virker med en tilpasset adapter som du kan få fra din forhandler.

### **pagepro 1490MF:**

Multifunksjonsapparatet lar deg koble til en USB-DECT base til en av USB portene til anordningen, og registrere DECT håndsett til denne basen. Du kan så foreta og motta oppringninger med det registrerte DECT håndsett, ved å bruke telefonlinjen til multifunksjonsmaskinen (standard trådløs telefon bruk).

Stemme-kommunikasjon er ekstrautstyr som bare virker med en tilpasset USB DECT dongle som du kan få fra din forhandler.

Takket være navigatoren og flerfunksjonsprinsippet er systemet kraftig, brukervennlig og lett å operere.

Multifunksjonsterminalene MFP Laser som her presenteres, kommer med en 600 dpi-skanner og en sort/hvit laserskriver med en utskriftshastighet på 20 sider i minuttet.. Programvaren Companion Suite Pro som følger med, lar deg bruke multifunksjonsterminalen som skanner- og utskriftsterminal fra en PC. Den sørger også for styring av multifunksjonsterminalen.

## Sikkerhet

### **Sikkerhetsforskrifter**

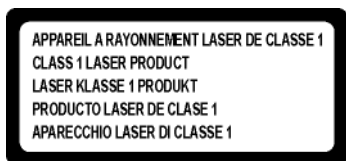
---

Før du kobler til apparatet må du sjekke at stikkontakten som du skal koble apparatet til, stemmer overens med angivelsene på etiketten (spenning, effekt, el-nettfrekvens) på apparatet. Apparatet må være koblet til en enfaset strømtilførsel. Apparatet må ikke installeres på gulvet.

Batteriene, emballasjene og det elektriske og elektroniske utstyret (EEE) må avhendes i henhold til instruksjonene i denne håndbokens kapittel MILJØ.

Alt etter modell kan frakobling av apparatets støpsel være den eneste fremgangsmåten for å koble apparatet fra el-nettet. Det er derfor absolutt nødvendig å følge disse reglene: Ditt apparat må være koblet til en stikkontakt nær apparatet. Stikkontakten må holdes lett tilgjengelig.

Apparatet leveres med en strømledning utstyrt med et jordet støpsel. Et jordet støpsel må absolutt være koblet til et vegguttak med en jording som er forbundet med bygningens beskyttelsesjording.



**Reparasjon-vedlikehold:** Få en kvalifisert tekniker til å utføre samtlige reparasjons- og vedlikeholdsinngrep. Ingen av de interne delene kan repareres av brukeren. For å unngå fare for elektrisk støt må du ikke prøve å foreta disse operasjonene selv. Ved å åpne eller fjerne deksler utsetter du deg for dobbelt fare:

- Laserstråling kan føre til uopprettelig øyenskade.
- Kontakten med deler under spenning kan føre til elektrisk støt med ytterst alvorlige konsekvenser.

## EMC

### Merknad for brukere i USA

Dette utstyret har blitt testet og godkjent i henhold til kravene for klasse B digitale enheter, i henhold til del 15 i FCC-reglene. Disse begrensningene er ment å gi tilstrekkelig beskyttelse mot skadelig interferens ved installasjon til privat bruk.

Dette utstyret generer, bruker og kan sende ut frekvensenergi, og dersom installasjon og bruk ikke skjer i samsvar med instruksjonene, kan dette medføre interferens som er skadelig for radiokommunikasjon. Det gis imidlertid ingen garanti for at det ikke vil oppstå interferens i en installasjon.

Dersom utstyret forårsaker skadelig interferens på radio- eller TV-mottak, noe som kan fastslås ved å slå utstyret av og på, kan brukeren forsøke en eller flere av følgende tiltak:

- 1 Vri eller flytte antennen.
- 2 Øke avstanden mellom utstyret og mottakeren.
- 3 Koble utstyret til et strømuttak på en annen krets enn mottakeren.
- 4 Ta kontakt med en erfaren radio / TV-tekniker.

### Samsvarserklæring

Denne anordningen stemmer overens med Del 15 i regelverket til FCC. Operasjonen er underlagt de følgende to betingelser:

1. Denne anordningen må ikke skape skadende interferens, og
2. denne anordningen må godta ell mottatt interferens, inkludert interferens som kan skape uønskede operasjoner.

### EME overholdelse for Canada

Dette Klasse "B" digitale apparatet samsvarer med Canadisk ICES-003.

Dette Klasse "B" digitale apparatet samsvarer med Canadisk NMB-003 standard.

### Laser Sikkerhetsinformasjon

**ADVARSEL:** Bruk av kontroller, justeringer, eller prestasjoner av prosedyrer som ikke er spesifisert i denne guiden kan føre til farlig lyseksponering.

Dette utstyret samsvarer med internasjonale sikkerhetsstandarder, og er et klassifisert Klasse 1 Laserprodukt.

Med spesiell referanse til lasere, dette utstyret samsvarer med prestasjonsstandarder for laserprodukt som er satt av regjeringer, nasjonale og internasjonale byrå som et Klasse 1 Laserprodukt. Det sender ikke ut farlig lys, siden strålen er fullstendig innkapslet i alle trinn av brukerens operasjoner og vedlikehold.

## For Europa/Asia

---

Dette apparatet oppfyller kravene til IEC standard 60825-1:1993+A1:1997+A2:2001, og er klassifisert som en laserenhet av klasse 1, og er beregnet for kontor-/EDP bruk. Det inneholder 1 laserdiode av klasse 3B, 10,72 milliwatt maks., 770-795 nanometer, og annen klasse 1 lysdiode (280  $\mu$ W ved 639 nm).

Direkte (eller indirekte reflektert) øyekontakt med laserstrålen kan forårsake alvorlig øyeskade. Apparatet har sikkerhetsforanstaltninger og sperremekanismer for å forhindre at operatøren blir utsatt for laserstråling.

## For Nord-Amerika

---

CDRH-forskrifter.

Dette utstyret oppfyller kravene til prestasjonsstandardene til FDA for laserprodukter, unntatt for avvik overensstemmende til Lasernotis nummer 50 fra 24. juni 2007, og inneholder 1 laserdiode av klasse 3B, 10,72 milliwatt, 770-795 nanometer bølgelengde og annen klasse 1 lysdiode (280  $\mu$ W ved 639 nm).

Apparatet avgir ikke skadelig lys, siden strålen er fullstendig innkapslet under all drift og vedlikehold som foretas av bruker.

## Lovbundet informasjon

---

### Sertifisering i Europa

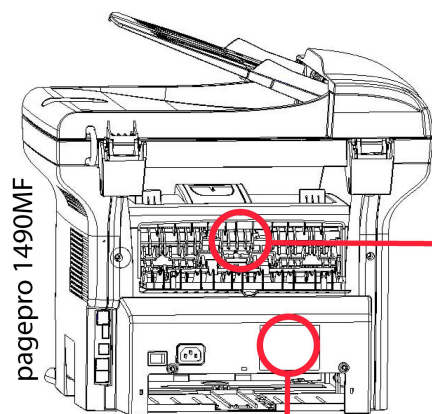
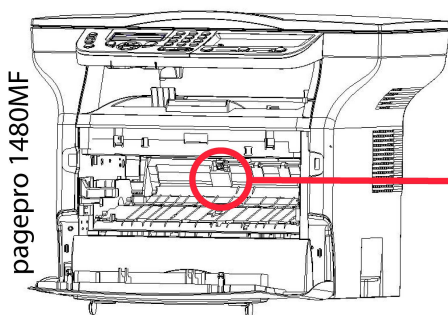
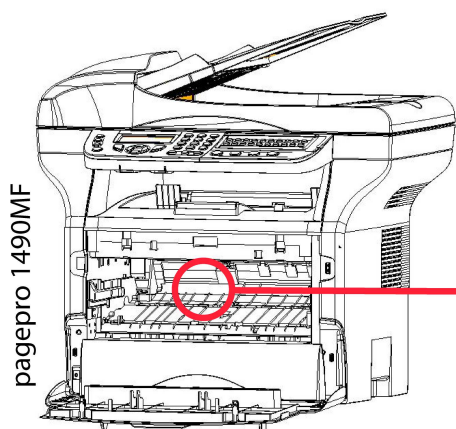
---

**CE** CE merket på dette produktet, symboliserer sin samsvarserklæring med de følgende gjeldende direktiver i EU, fra de indikerte datoer:

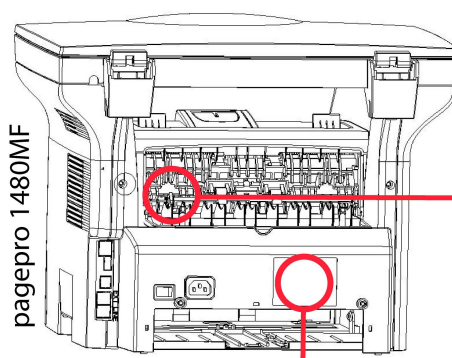
- 12. desember, 2006:** Council Directive 2006/95/EC som endret. Tilnærming til lovene i medlemslandene relatert til utstyr med lav volt.
- 15. desember, 2004:** Council Directive 2004/108/EC som endret. Tilnærming til lovene i medlemslandene relatert elektromagnetisk kompatibilitet.
- 9. mars, 1999:** Council Directive 99/5/EC, angående radioutstyr og telekommunikasjonsterminal utstyr, og felles anerkjennelse om konformitet.

## Sikkerhetsetikettens plassering på maskinen

Av sikkerhetsgrunner må varselsetikettene være festet på apparatet på stedene angitt nedenfor. Du må du ikke røre disse overflatene når du fjerner fastklemt papir eller skifter ut tonerpatronen.



APPAREIL A RAYONNEMENT LASER DE CLASSE 1  
CLASS 1 LASER PRODUCT  
LASER KLASSE 1 PRODUKT  
PRODUCTO LASER DE CLASE 1  
APARECCHIO LASER DI CLASSE 1



APPAREIL A RAYONNEMENT LASER DE CLASSE 1  
CLASS 1 LASER PRODUCT  
LASER KLASSE 1 PRODUKT  
PRODUCTO LASER DE CLASE 1  
APARECCHIO LASER DI CLASSE 1

<b>CAUTION</b>	Hot surface avoid contact
<b>ATTENTION</b>	Surface chaude Évitez tout contact
<b>ACHTUNG</b>	Heiße Oberfläche Kontakt vermeiden
<b>ATTENZIONE</b>	Superficie calda Evitare il contatto
<b>PRECAUCIÓN</b>	No tocar. Zona muy caliente.
<b>VOORZICHTIG</b>	Heet oppervlak vermijd contact
<b>FÖRSIKTIGT</b>	Het yta. Rör ej.
<b>FORSIGTIG</b>	Varm overflade, undgå berøring
<b>FORSIKTIG</b>	Varm overflade, undgå kontakt
<b>OSTRZEŻENIE</b>	Gorąca powierzchnia nie dotykac
<b>CUIDADO</b>	Superficie quente Evitar contacto
<b>POZOR</b>	Horký povrch nedotýkat se
<b>FIGYELEM</b>	Ne érintse meg a forró felületeket!
<b>TÄRKEÄÄ</b>	Kuuma pinta älä koske.
<b>ОСТОЖИХО</b>	Горячая поверхность Избегайте контакта
<b>注意</b>	表面高温、请勿接触。
<b>注意</b>	表面高温請勿碰觸
<b>고온주의</b>	표면이 뜨거우므로 만지지 않도록 주의하십시오.
<b>注意</b>	表面が熱くなっていますので触らないでください。

## Symboler for strømbryteren

I henhold til normen IEC 60417 bruker apparatet følgende strømtilførselssymboler for bryteren:

- betyr PÅ
- betyr AV.

# Installasjon

## Plassering

---

Ved å velge riktig plassering bidrar du til terminalens levetid. Sjekk at det valgte stedet har følgende karakteristikk:

- Velg et godt luftet sted.
- Pass på at du ikke stopper til lufteristene på venstre og høyre side av apparatet. Ved installasjonen må du passe på å plassere terminalen ca. 30 cm fra andre gjenstander av hensyn til åpningen av dekslene.
- Kontroller at det valgte stedet ikke inneholder noen risiko for at det avgis ammoniakk eller andre organiske gasser.
- Strømuttaket med jording (se sikkerhetsforskriftene i **Sikkerhet**) som du har til hensikt å koble terminalen til, må befinne seg i nærheten av terminalen og være lett tilgjengelig.
- **Pass på at terminalen ikke er direkte utsatt for solstråler.**
- Pass på at terminalen ikke plasseres i en sone utsatt for lufttrekk fra et klimaanlegg, varme- eller ventilasjonssystem, eller i en sone som kan ha store svingninger i temperatur og fuktighet.
- Velg en solid, horisontal flate der terminalen ikke utsettes for sterke vibrasjoner.
- **Fjern terminalen fra alle gjenstander som risikerer å tette til lufteåpningene.**
- Ikke sett terminalen i nærheten av tapeter eller andre brennbare gjenstander.
- Velg et sted der risikoene for sprut fra vann eller andre væsker er minimale.
- Kontroller at dette stedet er tørt, rent og uten støv.

## Forholdsregler ved bruk

---

Ta hensyn til følgende viktige regler når du bruker terminalen.

### Driftsmiljø:

- Temperatur: 10 °C til 27 °C [50 °F til 80.6 °F] med en luftfuktighet på mellom 15 til 80% (opp til 32°C [89.6 °F] med en luftfuktighet på mellom 15 til 54%).

### Terminal:

Seksjonen nedenfor beskriver forholdsreglene som må treffes ved bruk av terminalen:

- Du må aldri slå av terminalen eller åpne dekslene under utskrift.
- Du må aldri bruke antennelige gasser eller væsker, eller gjenstander som kan generere et magnetisk felt nær terminalen.
- Når du kobler fra strømledningen, må du alltid ta tak i støpselet i stedet for å trekke i ledningen. En skadd ledning er en mulig kilde for brann eller elektrisk støt.
- Du må aldri røre strømledningen med fuktige hender. Du risikerer å få elektrisk støt.
- Du må alltid koble fra strømledningen før du flytter på terminalen. Ellers risikerer du å skade ledningene og skape risiko for brann eller elektrisk støt.
- Du må alltid koble fra strømledningen hvis du ikke har tenkt å bruke terminalen i en lengre tidsperiode.
- Du må aldri legge noen gjenstander på strømledningen, aldri trekke i den eller brette den. Dette kan medføre fare for brann eller elektrisk støt.
- Du må alltid passe på at terminalen ikke står på strømledningene eller kablene for kommunikasjon med andre elektriske apparater. Pass også på at ingen ledning eller kabel føres inn i terminalens mekanisme. Dette kan føre til at terminalen fungerer dårlig eller utløse brann.
- Kontroller at skriveren er frakoblet strømmettet før du kobler til eller fra en grensesnittkabel (bruk en skjermet grensesnittkabel).
- Du må aldri prøve å fjerne påmonterte plater eller deksler. Terminalen inneholder høyspenningskretser. Kontakt med disse kretsene kan medføre risiko for elektrisk støt.
- Du må aldri prøve å modifisere terminalen. Dette kan medføre fare for brann eller elektrisk støt.
- Pass alltid på at binders, stifter og andre små metalldeleer ikke kommer inn i terminalen via lufteåpningene eller andre åpninger. Dette kan medføre fare for brann eller elektrisk støt.

- Unngå vann og andre væsker på eller i nærheten av terminalen. Kontakt mellom terminalen og vann eller annen væske kan føre til brannfare eller elektrisk støt.
- Hvis væske eller metalleder kommer inn i terminalen ved et uhell, må du slå av terminalen øyeblikkelig, koble fra strømledningen og ta kontakt med forhandler. Ellers risikerer du brann eller elektrisk støt.
- Hvis terminalen avgir varme, røyk, uvanlig lukt eller unormale lyder, må du slå den av, koble den fra øyeblikkelig og ta kontakt med forhandler. Ellers risikerer du brann eller elektrisk støt.
- Unngå å bruke terminalen ved "elektrisk torden", da dette kan føre til elektrisk sjokk på grunn av lynnedslag.
- Ikke flytt terminalen under utskrift.
- Løft terminalen når du skal flytte den.



Pass på å sette terminalen i et godt luftet lokale. Skriveren genererer en begrenset mengde ozon når den er i drift. Den kan avgi en ubehagelig lukt hvis den brukes intensivt i et dårlig luftet lokale. For sikker bruk må du plassere terminalen i et godt luftet lokale.

## Sikkerhetsinformasjon

Ved bruk av dette produktet, bør de følgende forhåndsregler for sikkerhet alltid følges.

### Sikkerhet Under Bruk

I dette informasjonsheftet er de følgende symboler brukt:

<b>ADVARSEL:</b>	Indikerer en potensiell farlig situasjon, som kan føre til dødsfall eller alvorlig skade om ikke instruksjonene følges.
<b>ADVARSEL:</b>	Indikerer en potensiell farlig situasjon, som kan føre til mindre eller moderat personskade, eller skade på utstyret om ikke instruksjonene følges.



#### **ADVARSEL:**

- Koble strømledningen direkte i en stikkontakt, og aldri bruk en forlengerledning.
- Koble fra strømstøpselet (ved å dra i støpselet, ikke ledningen) hvis strømledninger eller støpselet blir frynset eller skadet på annen måte.
- For å unngå farlig elektrisk støt eller å bli utsatt for laserstråling, ikke fjern andre deksler eller skruer enn de som er spesifisert i bruksanvisningen.
- Skru av apparatet, og koble fra strømstøpselet (ved å dra i støpselet, ikke ledningen) hvis noen av de følgende betingelser forekommer:
  - Du søler noe inn i maskinen.
  - Du mistenker at produktet trenger vedlikehold eller reparasjon.
  - Dekselet til produktet ditt er skadet.
- Ikke brenn sølt eller brukt toner. Tonerstøv kan ta fyr om utsatt for åpen flamme.
- Du kvitter deg med restprodukter hos autorisert forhandler eller passende miljøstasjoner.
- Kvitte deg med brukte tonerpatroner (eller flasker) i samsvar med nasjonal lovgivning.



#### **ADVARSEL**

- Beskytt produktet mot fuktighet eller værforhold som regn, snø osv..
- Dra ut strømledningen fra stikkontakten før du flytter produktet. Når du flytter maskinen, må du alltid sørge for at strømledningen ikke blir skadet under maskinen.
- Når du kobler strømstøpselet fra stikkontakten, dra alltid i støpselet (ikke i ledningen).
- Ikke la binders, stifter og andre små metalleder komme inn i terminalen.
- Hold toner (brukt og ubrukt), tonerpatroner (eller flasker), blekk (brukt og ubrukt) eller blekkpatroner ute av rekkevidde for barn.

- Vær forsiktig å ikke skjære deg opp på skarpe kanter når du strekker armene inn i terminaler for å fjerne papir som sitter fast.
- Av miljømessige grunner, ikke kvitt deg med produktet eller forbruksvarer på vanlige avfallsplasser for husholdningsavfall. Du kvitter deg med restprodukter hos autorisert forhandler eller passende miljøstasjoner.
- Våre produkter er laget for å overkomme høye standarder innen kvalitet og funksjonen, og vi anbefaler at du bruker tilgjengelige forbruksvarer tilgjengelig hos en autorisert forhandler.

## Strømtilførsel

---

Stikkkontakten må være nært maskinen, og være lett tilgjengelig.

## Bruk av symboler

---



### ADVARSEL:

Indikerer viktige sikkerhetsinstruksjoner.

Å ignorere disse kan føre til alvorlig personskade eller død. Vær nøye på å lese disse instruksjonene. De finner du i Sikkerhetsinformasjon delen av denne bruksanvisningen.



### ADVARSEL

Indikerer viktige sikkerhetsinstruksjoner.

Å ignorere disse instruksjonene kan føre til moderat eller mindre personskade, eller skade på maskinen eller eiendom.

# Miljø

Miljøvern er et av produsentens viktigste anliggender. Produsenten ønsker å drive sine anlegg med full respekt for miljøet, og har valgt å integrere miljøytelsen i hele livssyklusene til produktene, fra fabrikasjon til idriftsetting, bruk og eliminering.

## Emballasje

---



Logoen (grønt punkt) betyr at produsenten betaler et bidrag til et godkjent nasjonalt organ for å forbedre infrastrukturene for gjenvinning og resirkulering av emballasjene.

Du bidrar til resirkulering ved å følge de lokale reglene for sortering som er innført for denne typen avfall.

## Batterier

---

Hvis produktet inneholder batterier, må disse avleveres på anvist innsamlingssted.

## Produktet

---



Den overstrøkne søppelbøtten på produktet betyr at det tilhører gruppen "elektrisk og elektronisk utstyr".

I henhold til det europeiske regelverket inngår produktet derfor i et system for selektiv oppsamling:

- På distribusjonsstedene ved kjøp av et tilsvarende utstyr.

- På innsamlingsstedene du har til disposisjon lokalt (gjenvinningscenter, selektiv oppsamling osv.).

Dermed bidrar du til gjenbruk og resirkulering av elektrisk og elektronisk avfall som kan ha virkninger på miljø og helse.

# Brukslisens for programvaren

LES NØYE ALLE BETINGELSER I DENNE LISENSEN FØR DU ÅPNER DEN FORSEGLEDE KONVOLUTTEN SOM INNEHOLDER PROGRAMVAREN ÅPNINGEN AV DENNE KONVOLUTTEN BETYR AT DU GODTAR DISSE BETINGELSENE.

Dersom du ikke godtar betingelsene i denne lisensen, må du vennligst returnere DVD-ROM-emballasjen til forhandler uten å ha åpnet den, sammen med de andre produktkomponentene. Du vil da få refundert prisen du betalte for dette produktet. Ingen tilbakebetaling vil bli foretatt for produkter der DVD-ROM-emballasjen er blitt åpnet eller hvis det mangler bestemte deler, eller hvis forespørsel om tilbakebetaling utføres senere enn ti (10) dager etter leveringsdatoen, som beregnes i henhold til kopi av innkjøpskvittering.

## Definisjon

---

Programvare" betyr programmene og tilhørende dokumentasjon.

## Lisens

---

- Denne lisensen gjør det mulig å bruke programvaren på PCer koblet i et lokalt nettverk. Du har kun rett til å bruke programvaren til å skrive ut på én enkelt multifunksjonsterminal. Du kan ikke låne ut programvaren, eller overføre bruksretten til andre.
- Du har lov til å lage en sikkerhetskopi.
- Denne lisensen er ikke-eksklusiv og kan ikke overføres.

## Eiendomsrett

---

Produsenten eller produsentens leverandører beholder eiendomsrett til programvaren. Du blir kun eier av DVD-ROMen. Du har ikke lov til å endre, tilpasse, dekompile, oversette, lage derivater, leie ut eller selge programvaren eller dokumentasjonen. Alle rettigheter som ikke uttrykkelig er innvilget brukeren, forbeholdes av produsenten eller produsentens leverandører.

## Varighet

---

Denne lisensen gjelder til den sies opp. Du kan si opp lisensen ved å ødelegge programmet og dokumentasjonen samt alle kopier av disse. Lisensen opphører automatisk dersom du ikke respekterer betingelsene. Ved oppsigelse forplikter du deg til å ødelegge samtlige kopier av programmet og dokumentasjonen.

## Garanti

---

Programvaren leveres "slik den er" uten garantier av noen art, verken eksplisitte eller implisitte, inkludert, men uten garanti for kommersiell bruk eller egnethet for et bestemt formål. Kjøperen svarer selv for enhver risiko når det gjelder denne programvarens resultater og ytelse. Dersom programvaren skulle vise seg å være defekt, skal kjøperen dekke samtlige utgifter til reparasjon og istandsetting.

Lisensinnehaveren har imidlertid krav på følgende garanti: DVD-ROMen som programvaren er lagret på, er garantert uten materielle feil eller fabrikkasjonsfeil, ved normale bruks- og driftsforhold, i en periode på nitti (90) dager fra og med leveringsdatoen oppført på kopien av innkjøpskvitteringen. Dersom DVD-ROM-feilen inntreffer etter et uhell eller feilaktig bruk, vil den ikke bli erstattet i rammen av garantien.

## Ansvar

---

Hvis DVD-ROMen ikke fungerer som den skal, send den til forhandleren sammen med en kopi av kvitteringen. Forhandlerens eneste ansvar og din eneste, eksklusive klagemulighet er utskiftning av en DVD-ROM. Verken produsenten eller noen annen person som har deltatt i opprettelsen, utformingen, salget eller leveringen av denne programvaren, skal kunne holdes ansvarlig for direkte, indirekte eller immaterielle skader, f.eks. (ikke-utfyllende liste) tap av informasjon, tap av tid, driftstap, tap av inntekter, tap av kunder, som kan tilskrives bruk av eller manglende evne til å bruke denne programvaren.

## Produktutvikling

---

Ut fra ønsket om konstant forbedring forbeholder produsenten seg retten til å videreutvikle programvarens karakteristikk uten forvarsel. Ved videreutvikling av produktet gir din bruksrett ingen rett til gratis oppdateringer.



## Gjeldende lovgivning

---

Denne lisensen er underlagt fransk rett. Enhver tvist knyttet til tolkningen eller utførelsen av denne lisensen skal forelegges Domstolene i Paris.

Grunnet den permanente teknologiske utviklingen forbeholder produsenten seg rett til når som helst og uten forvarsel å endre de tekniske karakteristikene som er angitt for dette produktet og/eller avbryte produksjonen. Dette dokumentet anerkjenner samtlige produkt- og merkenavn som kan være varemerker registrert av sine respektive innehavere.

## Registrerte varemerker

---

Grunnet den permanente teknologiske utviklingen forbeholder produsenten seg rett til når som helst og uten forvarsel å endre de tekniske karakteristikene som er angitt for dette produktet og/eller avbryte produksjonen. Companion Suite Pro er et registrert varemerke for Sagem Communications.

Adobe® og de siterte Adobe® produktene er registrerte varemerker for Adobe Systems Incorporated.

PaperPort11SE er et registrert varemerke for ScanSoft.

Microsoft® Windows 2000®, Microsoft® Windows Server 2003®, Microsoft® Windows XP®, Microsoft® Windows Vista® og alle andre Microsoft® produkter referert til her er registrerte varemerker til Microsoft Corporation registrert og/eller brukt i USA og/eller i andre land.

Alle andre merker eller produktnavn som er sitert som eksempel eller til etterretning er varemerker registrert av sine respektive innehavere.

Opplysningene i denne bruksanvisningen kan endres uten forvarsel.

## Forbudte kopieringer

---

Du må aldri kopiere eller skrive ut dokumenter som loven forbyr deg å kopiere.

Utskrift og kopiering av følgende dokumenter er vanligvis forbudt etter loven:

- Pengesedler;
- sjekker;
- obligasjoner;
- innskuddskvitteringer;
- lånebevis;
- pass;
- førerkort.

Listen ovenfor angis som eksempel, men er ikke utfyllende. Ta kontakt med en juridisk rådgiver ved tvil om hvilke dokumenter det er lov å kopiere eller skrive ut.

<b>TURVAOHJEET</b>	<b>106</b>
<b>Hyvä asiakas</b>	<b>106</b>
<b>Turvallisuus</b>	<b>106</b>
<i>Turvaohjeet</i>	106
<i>EMC</i>	107
<i>Huomautus käyttäjille Yhdysvalloissa</i>	107
<i>Vaatimustenmukaisuusilmoitus</i>	107
<i>EME-yhteensopivuus Kanadaa varten</i>	107
<i>Laserin käyttöturvallisuus</i>	107
<i>Eurooppa ja Aasia</i>	108
<i>Pohjois-Amerikka</i>	108
<i>Säädösten mukaiset tiedot</i>	108
<i>Hyväksynät Euroopassa</i>	108
<i>Turvamerkintöjen sijainti</i>	109
<i>Virtakytkimen merkinnät</i>	109
<b>Asennus</b>	<b>110</b>
<i>Sijoitusolosuhteet</i>	110
<i>Käyttöturvallisuusohjeet</i>	110
<i>Turvatiedot</i>	111
<i>Käyttöturvallisuus</i>	111
<i>Virtalähde</i>	112
<i>Käytettyjen symbolien selitykset</i>	112
<b>Ympäristö</b>	<b>112</b>
<i>Pakkaus</i>	112
<i>Paristot ja akut</i>	112
<i>Tuote</i>	112
<b>Ohjelmistolisenssi</b>	<b>113</b>
<i>Määritelmä</i>	113
<i>Lisenssi</i>	113
<i>Omistusoikeus</i>	113
<i>Voimassaolo</i>	113
<i>Takuu</i>	113
<i>Vastuu</i>	113
<i>Kehitys</i>	113
<i>Sovellettava laki</i>	114
<i>Rekisteröidyt tavaramerkit</i>	114
<i>Kielletty kopiointi</i>	114

# TURVAOHJEET

## Hyvä asiakas

Ostaessasi tämän monitoimilaitteen valitsit laadukkaan. Laite täyttää modernille toimistokoneelle asetetut vaatimukset.

Tätä laitetta voi käyttää väriskannerina, sekä mustavalkofaksina, -tulostimena ja -kopiokoneena (**pagepro 1490MF**). Voit yhdistää monitoimilaitteen tietokoneeseen (Microsoft Windows 2000/XP/Vista).

Monitoimilaitteen käyttö tulostimena edellyttää mukana olevan ohjelmiston asentamista. Lisäksi voit laitteen avulla skannata, editoida ja tallentaa asiakirjoja tietokoneelle. Langattoman yhteyden tietokoneeseen saat WLAN-sovittimen (lisälaite) avulla.

WLAN-yhteys toimii ainoastaan alkuperäisellä sovittimella, jonka voit hankkia jälleenmyyjältä.

### **pagepro 1490MF:**

Monitoimilaitteen avulla voit kytkeä USB-DECT-aseman yhteen laitteen USB-porteista ja rekisteröidä DECT-puhelimet tähän asemaan. Tämän jälkeen voit soittaa ja vastaanottaa puheluita rekisteröidyillä DECT-puhelimilla käyttäen monitoimilaitteen puhelinlinjaa (tavallisen langattoman puhelimen käyttö).

Puheviestintä toimii ainoastaan tähän tarkoitukseen käytettävällä USB DECT -sovittimella, jonka voit hankkia jälleenmyyjältä.

Laitteen ohjausjärjestelmä ja monitoimiominaisuudet tekevät siitä tehokkaan, käyttäjäystävällisen ja helppokäyttöisen.

MFP Laser -monitoimilaitteissa on 600 dpi:n skanneri ja mustavalkoinen lasertulostin, jonka tulostusnopeus on 20 ppm. Companion Suite Pro-ohjelmiston avulla voit käyttää laitetta tietokoneen skannerina ja tulostimena. Ohjelmiston avulla voit myös hallita monitoimilaitetta.

## Turvallisuus

### *Turvaohjeet*

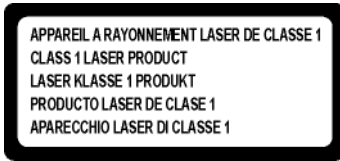
---

Ennen laitteen käynnistämistä tarkista, että pistorasia, johon aiot laitteen yhdistää, on yhteensopiva laitteen etiketissä olevien merkintöjen kanssa (jännite, virran voimakkuus ja sähköverkon taajuus). Laite on kytkettävä yksivaiheverkkoon. Laitetta ei saa asentaa paljaalla maalle.

Paristot, akut, pakkaukset sekä sähkö- ja elektroniikkaosat on hävitettävä tämän käyttöoppaan YMPÄRISTÖ-luvun mukaisesti.

Sähköpistokkeen ollessa monelle mallille ainoa tapa irrottaa laite sähköverkosta, on tärkeää noudattaa seuraavia ohjeita: Laite on kytkettävä lähellä sijaitsevaan pistorasiaan. Pistorasian on oltava helposti ulottuvilla.

Laitteeseen kuuluu maadoitettu virtajohto. On tärkeää kytkeä maadoitettu pistoke maadoitettuun pistorasiaan, joka on yhdistetty rakennuksen maadoitukseen.



**Korjaus ja kunnossapito:** Anna pätevän asiantuntijan suorittaa korjaukset ja kunnossapitotoimet. Laitteen sisällä ei ole käyttäjän huollettavissa olevia osia. Älä tee korjauksia itse sähköiskuvaaran takia, koska kansien avaaminen tai irrottaminen voi altistaa sinut seuraaville vaaratekijöille:

- Lasersäteen osuminen silmään saattaa aiheuttaa pysyviä vaurioita.
- Sähköosiin koskeminen saattaa aiheuttaa sähköiskun, jolla voi olla erittäin vakavat seuraukset.

## EMC

### Huomautus käyttäjille Yhdysvalloissa

Tämä laite on testattu ja sen on todettu täyttävän luokan B digitaalisia laitteita koskevat ehdot FCC:n säännösten osan 15 mukaisesti. Nämä raja-arvot on suunniteltu antamaan kohtuullinen suoja häiriötä vastaan asuinrakennuksissa.

Tämä laite muodostaa, käyttää ja voi lähettää radiotaajuista energiaa, ja jos laite asennetaan tai sitä käytetään ohjeiden vastaisesti, se saattaa aiheuttaa häiriötä radioyhteyksiin. Häiriöttömyyttä ei kuitenkaan voida taata missään tietyssä ympäristössä.

Jos tämä laite aiheuttaa häiriötä radio- tai televisiovastaanottiin, minkä voi todeta katkaisemalla laitteesta virran ja kytkemällä sen uudelleen, seuraavat toimet saattavat poistaa häiriötä:

1. Suuntaa vastaanottimen antenni uudelleen tai siirrä se toiseen paikkaan.
2. Siirrä vastaanotin ja häiriön aiheuttava laite kauemmaksi toisistaan.
3. Kytke häiriön aiheuttavan laitteen verkkojohto eri pistorasiaan kuin vastaanottimen verkkojohto.
4. Ota yhteyttä jälleenmyyjään tai ammattitaitoiseen radio- ja televisiorikarjaajaan.

### Vaatimustenmukaisuusilmoitus

Tämä laite noudattaa FCC-sääntöjen osassa 15 asetettuja määräyksiä. Laitteen käyttö on seuraavien ehtojen alaista:

1. Tämä laite ei saa aiheuttaa haitallista häiriötä ja
2. tämän laitteen on hyväksyttävä vastaanottamansa häiriö, mukaan lukien tuotteen toimintaa haittaava häiriö.

### EME-yhteensopivuus Kanadaa varten

Tämä B-luokan digitaalinen laite täyttää kanadalaisen ICES-003 normin asettamat vaatimukset.

Cet appareil numérique de la classe "B" est conforme à la norme NMB-003 du Canada.

### Laserin käyttöturvallisuus

**HUOMIO:** Muiden kuin tässä oppaassa mainittujen ohjauspainikkeiden, säätöjen tai toimenpiteiden käyttäminen saattaa johtaa vaaralliseen valolle altistumiseen.

Tämä laite noudattaa kansainvälisiä turvastandardeja ja se on luokiteltu luokan 1 lasertuotteeksi.

Laserien suhteen tämä laite noudattaa lasertuotteiden tehokkuusstandardeja, jotka ovat paikallisten tai kansainvälisten viranomaisten määrittämiä luokan 1 lasertuotteille. Se ei tuota haitallista valoa, koska säde on täysin suojattu kaiken käytön ja kunnossapidon aikana.

## Eurooppa ja Aasia

---

Tämä laite vastaa IEC 60825-1:1993+A1:1997+A2:2001 standardivaatimuksiin. Se luokitellaan luokan 1 laserlaitteeksi, ja on turvallinen toimisto- ja tietojenkäsittelykäytössä. Laite sisältää luokan 3B laserdiodin, jonka teho on kork. 10.72 mW ja aallonpituus 770-795 nanometriä. Toinen LED kuuluu luokkaan 1 LED (280 µW, 639 nm).

Suorasti (tai epäsuorasti) silmiin osunut lasersäde saattaa aiheuttaa vakavan silmävaurion. Varotoimenpiteet ja lukitusmenetelmät on suunniteltu estämään käyttäjän kaikki mahdolliset lasersäteille altistumiset.

## Pohjois-Amerikka

---

CDRH-määräykset.

Tämä laite vastaa FDA:n lasertuotteiden suorituskykyä koskeviin standardivaatimuksiin, paitsi 24. kesäkuuta 2007 laaditun laserohjeen Nro 50 mukaisesti poikkeamiin. Laite sisältää 1-luokan 3B-laserdiodin, jonka teho on 10.72 milliwattia ja aallonpituus 770-795 nanometriä. Toinen LED kuuluu luokkaan 1 (280 µW, 639 nm).

Tämä laite ei säteile haitallista valoa, koska säde on täydellisesti suljettu laitteen sisään kaikissa käyttö- ja huoltotilanteissa.

## Säädösten mukaiset tiedot

---

### Hyväksynyt Euroopassa

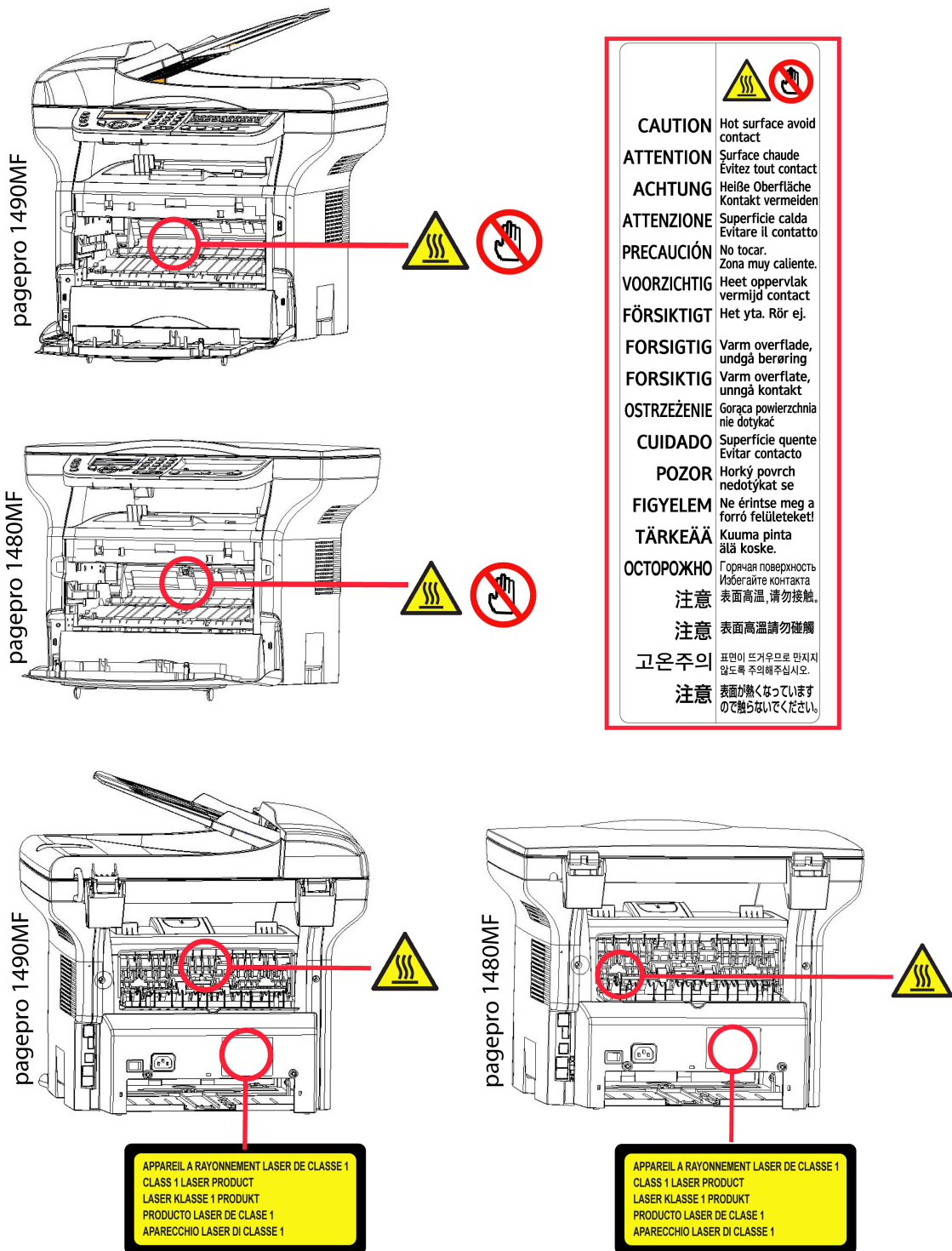
---

**CE** Tällä laitteella on CE-merkintä, joka tarkoittaa, että on antanut vaatimustenmukaisuusvakuutuksen asianmukaisten Euroopan unionin direktiivien mukaisesti alla mainittuina ajankohtina:

- 12.12.2006:** Euroopan neuvoston direktiivi 2006/95/EC ja sen muutokset jäsenmaiden lakien mukaan alhaisen jännitteen laitteille.
- 15.12.2004:** Euroopan neuvoston direktiivi 2004/108/EC ja sen muutokset jäsenmaiden lakien mukaan sähkömagneettiselle yhteensopivuudelle.
- 9.3.1999:** Euroopan neuvoston direktiivi 99/5/EC radio- ja televiestintälaitteille, ja vaatimusten noudattamisen tunnistaminen.

## Turvamerkintöjen sijainti

Varoitusmerkinnät on turvallisuussyistä asennettu laitteeseen alla kuvattuihin paikkoihin. Käyttöturvallisuuden takaamiseksi laitteen pintoihin ei saa koskea paperitukosta poistettaessa tai väriainekasettia vaihdettaessa.



## Virtakytkimen merkinnät

Normin IEC 60417 mukaisesti laitteessa käytetään virtakytkimelle määritellyjä symboleja:

- **|** tarkoittaa VIRTA KYTKETTY;
- **○** tarkoittaa VIRTA POIS PÄÄLTÄ;

# Asennus

## Sijoitusolosuhteet

Valitsemalla sopivan sijoituspaikan pidennät laitteen käyttöikä. Varmista, että sijoituspaikka täyttää seuraavat vaatimukset:

- Valitse hyvin ilmastoitu paikka.
- Älä tuki laitteen oikealla ja vasemmalla puolella olevia ilmanvaihtoaukkoja. Sijoita laite vähintään n. 30 senttimetrin päähän ympärillä olevista esineistä, jotta kaikki luukut voi avata helposti.
- Varmista, ettei sijoituspaikassa ole ammoniakkivuodon tai muiden orgaanisten kaasujen vaaraa.
- Pistorasian (lue turvaohjeet luvusta **Turvallisuus** ), johon laite liitetään, tulee sijaita lähellä ja helposti ulottuvilla.
- **Älä sijoita laitetta suoraan auringonpaisteeseen.**
- Älä sijoita laitetta sellaiseen paikkaan, jossa se altistuu ilmastointi-, lämmitys- tai ilmanvaihtolaitteen ilmapirrille, äläkä sellaiseen paikkaan, jossa lämpötilan ja kosteuden vaihtelut ovat suuria.
- Valitse tukeva, vaakasuora alusta, jolla laite ei altistu voimakkaalle värinälle.
- **Sijoita laite kauas esineistä, jotka saattaisivat tukkia sen ilmanvaihtoaukot.**
- Älä sijoita laitetta verhojen tai muiden tulenarkojen esineiden lähelle.
- Valitse sijoituspaikka, jossa vesi- tai muiden nesteroiskeiden mahdollisuus on pieni.
- Varmista, että paikka on kuiva, puhdas ja pölytön.

## Käyttöturvallisuusohjeet

Kiinnitä huomiota seuraaviin turvallisuuseikkoihin laitetta käyttäessäsi.

### Käyttöympäristö:

- Lämpötila: 10–27 °C [50–80,6 °F] ympäröivän kosteuden ollessa 15–80 % (enintään 32 °C [89,6 °F] ympäröivän kosteuden ollessa 15–54 %).

### Laite:

Kappaleessa kerrotaan, mitä turvallisuuseikkoja on huomioitava, kun laitetta käytetään:

- Älä koskaan katkaise laitteesta virtaa tai avaa luukkuja, kun tulostus on käynnissä.
- Älä koskaan käytä laitteen lähellä kaasua tai tulenarkoja nesteitä, äläkä esineitä, jotka saattavat synnyttää magneettikentän laitteen läheisyyteen.
- Kun irrotat virtajohdon, tartu siihen sen pistokkeesta johdon sijaan. Vaurioitunut johto saattaa aiheuttaa tulipalon tai sähköiskun.
- Älä koskaan koske virtajohtoon märillä käsillä. Se saattaa aiheuttaa sähköiskun.
- Irrota aina virtajohto pistorasiasta ennen kuin siirrät laitetta. Muussa tapauksessa johto saattaa vaurioitua, mikä voi aiheuttaa tulipalon tai sähköiskun.
- Irrota virtajohto pistorasiasta, jos et aio käyttää laitetta pitkään aikaan.
- Älä koskaan sijoita tavaroita virtajohdon päälle, älä vedä siitä äläkä taita johtoa. Tämä saattaa aiheuttaa tulipalon tai sähköiskun.
- Varmista aina, ettei laite ole virtajohdon tai muun sähkölaitteen kaapelin päällä. Varmista myös, ettei laitteen mekanismin sisällä ole mitään ylimääräistä johtoa tai kaapelia. Tämä saattaisi haitata laitteen toimintaa tai aiheuttaa tulipalon.
- Irrota tulostin pistorasiasta ennen liitäntäkaapelin yhdistämistä tai irrottamista (käytä suojattua liitäntäkaapelia).
- Älä koskaan yritä irrottaa kiinteitä paneeleita tai kansia. Laitteessa on korkeajännitteisiä virtapiirejä. Niihin koskeminen saattaa aiheuttaa sähköiskun.
- Älä koskaan yritä modifioida laitetta. Tämä saattaa aiheuttaa tulipalon tai sähköiskun.
- Varmista, ettei paperiliittimiä, niittejä tai muita pieniä metalliesineitä pääse laitteen sisään ilmanvaihtoaukoista tai muista aukoista. Tällaiset esineet saattavat aiheuttaa tulipalon tai sähköiskun.
- Estä veden tai muiden nesteiden läikkyminen laitteelle tai sen läheisyyteen. Laitteen joutuminen kosketuksiin veden tai muun nesteen kanssa saattaa aiheuttaa tulipalon tai sähköiskun.
- Jos nestettä tai metalliesine pääsee vahingossa laitteen sisään, sulje laitteesta välittömästi virta, irrota virtajohto

ja ota yhteys jälleenmyyjääsi. Muussa tapauksessa tästä voi aiheutua tulipalo tai sähköisku.

- Mikäli havaitset kuumuutta, savua, epätavallista hajua tai poikkeavaa ääntä, katkaise laitteesta virta, irrota virtajohto välittömästi ja ota yhteys jälleenmyyjääsi. Muussa tapauksessa tästä voi aiheutua tulipalo tai sähköisku.
- Vältä laitteen käyttämistä ukkosella, koska salamanisku saattaa aiheuttaa sähköiskun.
- Älä siirrä laitetta tulostamisen aikana.
- Jos siirrät laitetta, tee se sitä nostaen.



Sijoita laite hyvin ilmastoituun paikkaan. Tulostin tuottaa toimiessaan pienen määrän otsonia. Tulostimesta voi tulla epämiellyttävää hajua, jos sitä käytetään huonosti ilmastoidussa tilassa. Käyttöturvallisuuden takaamiseksi laite on sijoitettava hyvin ilmastoituun tilaan.

## Turvatie-dot

Tuotetta käytettäessä on aina noudatettava tietyt perusturvatoimia.

## Käyttöturvallisuus

Turvallisuustiedoissa käytetään seuraavia symboleita:

<b>VAROITUS:</b>	<b>Tämä on ilmoitus uhkaavasta tilanteesta, josta voi olla seurauksena kuolema tai vakava tapaturma, jos ohjeita ei noudateta.</b>
<b>HUOMIO:</b>	Tämä on ilmoitus uhkaavasta tilanteesta, josta voi olla seurauksena loukkaantuminen tai laitevaurio, jos ohjeita ei noudateta.



### VAROITUS

- Liitä virtajohto suoraan maadoitettuun pistorasiaan; jatkojohtoa ei saa koskaan käyttää.
- Irrota virtajohto (vetämällä pistokkeesta, ei johdosta), jos virtajohto tai pistoke kuluu tai vaurioituu.
- Vaarallisen sähköiskun tai lasersäteilylle altistumisen välttämiseksi laitteen kansia tai ruuveja ei saa irrottaa, lukuun ottamatta käyttöohjeissa mainittuja kohtia.
- Sammuta virta laitteesta ja irrota virtajohto (vetämällä pistokkeesta, ei johdosta), jos jokin seuraavista esiintyy:
  - Laitteen päälle kaatuu nestettä.
  - Epäilet laitteen tarvitsevan huoltoa tai korjausta.
  - Tuotteen kansi on vaurioitunut.
- Kaatunutta väriainetta tai käytettyä väriainekasettia ei saa hävittää polttamalla. Väriainepöly voi syttyä palamaan, jos se on avotulen lähellä.
- Väriaine voidaan hävittää valtuutetun jälleenmyyjän toimesta tai asianmukaisessa keräilypisteessä.
- Hävitä käytetty väriainekasetti (tai pullo) paikallisten määräysten mukaisesti.



### HUOMIO

- Suojaa laite kosteudelta tai kostealta säältä, kuten sateelta, lumelta jne.
- Irrota verkkojohto pistorasiasta ennen laitteen siirtämistä. Kun siirrät laitetta, on oltava varovainen, ettei virtajohto vaurioitu laitteen alla.
- Kun irrotat virtajohdon pistorasiasta, vedä aina pistokkeesta (ei johdosta).
- Älä päästä paperiliittimiä, niittejä tai muita pieniä metalliesineitä putoamaan laitteen sisään.
- Pidä väriaine (käytetty tai käyttämätön), väriainekasetti (tai pullo), muste (käytetty tai käyttämätön) tai mustekasetti poissa lasten ulottuvilta.
- Varo leikkaamasta itseäsi terävillä kulmilla, kun poistat paperitukoksia tai alkuperäisiä asiakirjoja laitteen sisältä.
- Ympäristönsuojelua silmällä pitäen laitetta tai käytettyjä tarvikkeita ei saa hävittää kotitalousjätteen mukana. Väriaine voidaan hävittää valtuutetun jälleenmyyjän toimesta tai asianmukaisessa keräilypisteessä.
- Tuotteemme on valmistettu erittäin korkeiden laatustandardien mukaisesti ja suosittelemme, että laitteessa käytetään ainoastaan valtuutetulta jälleenmyyjältä saatavia kulutustarvikkeita.



## Virtalähde

---

Pistorasia on asennettava lähelle laitetta ja siihen on päästävä helposti käsiksi.

## Käytettyjen symbolien selitykset

---

### VAROITUS

Tarkoittaa tärkeitä turvallisuusohjeita.

Näiden varoitusten noudattamatta jättämisestä voi olla seurauksena vakava tapaturma tai kuolema. Nämä varoitukset on luettava. Ne sijaitsevat tämän käyttöohjeen luvussa Turvatiedot.

### HUOMIO

Tarkoittaa tärkeitä turvallisuusohjeita.

Näiden huomautusten laiminlyönti voi aiheuttaa loukkaantumisen tai laite- tai omaisuusvaurion. Nämä huomautukset on luettava. Ne sijaitsevat tämän käyttöohjeen luvussa Turvatiedot.

# Ympäristö

Ympäristönsuojelu on valmistajalle erittäin tärkeä asia. Valmistajan tavoitteena on laitteiden ympäristöystävällinen käyttäminen, ja valmistaja on sisällyttänyt ympäristöajattelun tuotteidensa koko elinkaareen valmistuksesta jakeluun, käyttöön ja hävittämiseen saakka.

## Pakkaus

---



Oheinen merkki (vihreä piste) tarkoittaa, että pakkauksesta on maksettu jätehuoltomaksu hyväksytylle kansalliselle organisaatiolle, minkä tavoitteena on pakkausten hävittämiseen ja kierrätykseen tarkoitettun infrastruktuurin parantaminen.

Kierrätyksen helpottamiseksi noudata paikallisia laitetta koskevia kierrätysmääräyksiä.

## Paristot ja akut

---

Jos tuote sisältää paristoja tai akkuja, ne on palautettava niille tarkoitettuihin kierrätyspisteisiin.

## Tuote

---



Jäteastia-symboli, jonka yli on piirretty rasti, tarkoittaa, että tuote kuuluu sähkö- ja elektroniikkalaitteisiin.

Eurooppalainen säädöstö edellyttää, että tuote hävitetään seuraavalla tavalla:

- Jakelupisteessä uutta laitetta ostettaessa tai
- paikkakuntasi kierrätyspisteessä.

Kierrättämällä tuotteen edesautat sähkö- ja elektroniikkalaitteiden uudelleenkäyttöä ja kehitystä, jolla voi olla myönteinen vaikutus ympäristöön ja terveyteen.

# Ohjelmistolisenssi

LUE HUOLELLISESTI LISENSSIN KAIKKI EHDOT ENNEN KUIN AVAAT OHJELMISTON SISÄLTÄVÄN KIRJEKUOREN. KIRJEKUOREN AVAAMINEN TARKOITTAÄ, ETTÄ HYVÄKSYT LISENSSIN EHDOT.

Mikäli et hyväksy lisenssin ehtoja, palauta jälleenmyyjälle avaamaton DVD-ROM-pakkaus ja tuotteen muut osat. Tuotteen ostohinta palautetaan. Ostohintaa ei palauteta tuotteesta, joiden DVD-ROM-pakkaus on avattu tai jonka osia puuttuu tai jos palautusta pyydetään yli kymmenen (10) päivää toimituspäivän jälkeen. Toimituspäivä ilmenee kuitistasi.

## Määritelmä

---

Ohjelmisto tarkoittaa ohjelmia ja niihin liittyvää aineistoa.

## Lisenssi

---

- Tämä lisenssi antaa Sinulle oikeuden käyttää ohjelmistoa lähiverkkoon kytketyillä henkilökohtaisilla tietokoneilla. Sinulla on oikeus käyttää ohjelmistoa vain yhteen monitoimilaitteeseen. Sinulla ei ole oikeutta lainata tai luovuttaa ohjelmiston käyttöoikeutta ulkopuolisille.
- Sinulla on oikeus yhden varmuuskopion tekemiseen.
- Tämä lisenssi antaa rajoitetun käyttöoikeuden eikä se ole siirrettävissä.

## Omistusoikeus

---

Ohjelmiston omistusoikeus säilyy valmistajalla tai sen hankkijoilla. Sinulla on ainoastaan DVD-ROMin omistusoikeus. Sinulla ei ole oikeutta muokata, soveltaa, purkaa, kääntää, kehittää sivutuotteita, lainata tai myydä ohjelmistoa tai aineistoa. Kaikki oikeudet, joita ei erikseen ole myönnetty, kuuluvat valmistajalle tai sen hankkijoille.

## Voimassaolo

---

Tämä lisenssi on voimassa purkautumiseensa saakka. Voit purkaa sopimuksen hävittämällä ohjelman ja aineiston sekä kaikki niiden kopiot. Tämä lisenssi purkautuu automaattisesti, mikäli et noudata sen ehtoja. Lisenssin purkautuessa sinun on hävitettävä ohjelman ja aineiston kaikki kopiot.

## Takuu

---

Ohjelmisto toimitetaan "sellaisenaan" ilman minkäänlaista takuuta, suorasti tai epäsuorasti ilmaistua, rajoittamattomana, ilman takuita kaupallisuudesta tai sopivuudesta tiettyyn tarkoitukseen; kaikki ohjelmiston käyttöön ja käytön tuloksiin liittyvät riskit ovat ostajan vastuulla. Mikäli ohjelma on viallinen, kaikki korjaus- ja huoltokustannukset kuuluvat ostajalle.

Lisenssin haltija saa kuitenkin seuraavanlaisen takuun: DVD-ROMilla, jolle ohjelmisto on tallennettu, on takuu, ilman materiaali- tai valmistusvirhettä, normaalikäytössä, yhdeksänkymmenen (90) päivän ajan lukien toimituspäivästä, joka ilmenee kuitistasi. Mikäli DVD-ROMin vika aiheutuu vahingosta tai väärinkäytöstä, takuu ei korvaa uutta DVD-ROMia.

## Vastuu

---

Jos DVD-ROM ei toimi kunnolla, lähetä se jälleenmyyjälle yhdessä ostotositteen kanssa. Vastuu DVD-ROMin vaihtamisesta on jälleenmyyjällä. Valmistaja tai kukaan muukaan, joka on osallistunut ohjelman suunnitteluun, toteutukseen, markkinointiin tai jakeluun, ei ole vastuussa suorista, epäsuorista tai immateriaalisista vahingoista, kuten esimerkiksi informaation katoamisesta, menetetyistä ajasta, menetetyistä tuloista tai menetetyistä asiakkaista, mikäli vahinko on aiheutunut ohjelman käyttämisestä tai siitä, ettei ohjelmaa ole voitu käyttää.

## Kehitys

---

Valmistaja haluaa kehittää tuotteitaan jatkuvasti. Näin ollen valmistaja pidättää oikeuden kehittää ohjelmiston ominaisuuksia ilmoittamatta siitä etukäteen. Tällaisessa tapauksessa käyttöoikeutesi ei oikeuta Sinua ilmaisiin päivityksiin.

## Sovellettava laki

---

Tähän lisenssiin sovelletaan Ranskan lakia. Kaikki lisenssin tulkintaa tai käyttöä koskevat tapaukset käsitellään Pariisin tuomioistuimessa.

Teknologian jatkuvan kehityksen vuoksi valmistaja pidättää oikeuden muokata tämän tuotteen teknisiä ominaisuuksia milloin tahansa ilman ennakoilmoitusta ja/tai keskeyttää tuotteen valmistuksen. Kaikki käyttöoppaassa mainitut tuotenimet ja -merkit voivat olla haltijoidensa rekisteröimiä tavaramerkkejä.

## Rekisteröidyt tavaramerkit

---

Teknisen kehityksen vuoksi valmistaja pidättää oikeuden muuttaa tuotteen teknisiä ominaisuuksia ja/tai lopettaa sen valmistuksen milloin tahansa ja ilman ennakoilmoitusta. Companion Suite Pro on Sagem Communications in rekisteröity tavaramerkki.

Adobe® ja Adobe®-tuotteet ovat Adobe Systems Incorporatedin omistamia rekisteröityjä tavaramerkkejä.

PaperPort11SE on ScanSoftin rekisteröity tavaramerkki.

Microsoft® Windows 2000®, Microsoft® Windows Server 2003®, Microsoft® Windows XP®, Microsoft® Windows Vista® ja kaikki muut Microsoft®-tuotteet, joihin on viitattu tässä oppaassa, ovat Microsoft Corporationin rekisteröityjä tavaramerkkejä, jotka on rekisteröity ja joita käytetään Yhdysvalloissa ja/tai muissa maissa.

Muut tuotenimet tai tuotteet, joihin viitataan, ovat haltijoilleen kuuluvia rekisteröityjä tavaramerkkejä.

Tämän käyttöohjeen sisältämiä tietoja voidaan muuttaa ilmoittamatta siitä etukäteen.

## Kielletty kopiointi

---

Älä koskaan kopioi tai tulosta asiakirjoja, joiden kopiointi on lailla kielletty.

Seuraavien asiakirjojen tulostaminen tai kopiointi on yleensä lailla kielletty.

- setelirahat;
- shekit;
- obligaatiot;
- talletustodistukset;
- lainatodistukset;
- passit;
- ajokortit.

Tämä lista on esimerkin omainen, eikä se ole täydellinen. Jos epäilet joidenkin asiakirjojen kopioinnin ja tulostamisen laillisuutta, käänny asiassa lakimiehen tai lainopillisen neuvonantajan puoleen.

<b>GÜVENLİK TALİMATLARI</b>	<b>116</b>
<b>Sayın müpteri</b>	<b>116</b>
<b>Güvenlik</b>	<b>116</b>
<i>Güvenlik talimatları</i>	116
EMC	117
<i>ABD'deki kullanıcılara yönelik not</i>	117
<i>Uygunluk bildirgesi</i>	117
<i>Kanada için EME Uyumluluđu</i>	117
<i>Lazer Güvenlik Bilgileri</i>	117
<i>Avrupa/Asya için</i>	117
<i>Kuzey Amerika için</i>	118
<i>Düzenleyici Bilgiler</i>	118
<i>Avrupa'daki Sertifikasyonlar</i>	118
<i>Agyt üzerindeki güvenlik etiketlerinin yerlepimi</i>	119
<i>Ana güç balteri için semboller</i>	119
<b>Kurulum</b>	<b>120</b>
<i>Yer kopulları</i>	120
<i>Kullaným tedbirleri</i>	120
<i>Güvenlik bilgisi</i>	121
<i>Ýplretim sýrasýnda güvenlik</i>	121
<i>Güç Kaynađý</i>	122
<i>Simgelerin kullanma kuralları</i>	122
<b>Çevre</b>	<b>122</b>
<i>Paketleme</i>	122
<i>Bataryalar ve piller</i>	122
<i>Ürün</i>	122
<b>Yazılım kullanımı lisansı</b>	<b>123</b>
<i>Tanımlama</i>	123
<i>Lisans</i>	123
<i>Mülkiyet Hakkı</i>	123
<i>Süre sýnırlaması</i>	123
<i>Garanti Kapsamı</i>	123
<i>Sorumluluk</i>	123
<i>Geliptirme</i>	123
<i>Hukuki Uygulama</i>	124
<i>Tescilli ticari markalar</i>	124
<i>Yasaklanan kopyalamalar</i>	124

# GÜVENLİK TALİMATLARI

## Sayın müşteri

Bu çok fonksiyonlu aygıtı satın alarak, kaliteli bir ürünü seçmiş oluyorsunuz. Cihazınız, modern bir ofis otomasyon aracının çok farklı özelliklerine sahiptir.

Aygıtınız renkli taramanıza, fakslamanıza, yazdırmanıza ve siyah beyaz kopyalamanıza olanak sağlar (**pagepro 1490MF**). Çok fonksiyonlu cihazı bilgisayarınıza bağlayabilirsiniz (Microsoft Windows 2000/XP/Vista).

Çok fonksiyonlu aygıtı yazıcı olarak kullanabilmeniz için, beraberinde gönderilen yazılımı bilgisayarınıza yüklemeniz gerekir. Belgelerinizi bilgisayarınız aracılığıyla da tarayabilir, düzenleyebilir ve kaydedebilirsiniz. Kablosuz kişisel bir bilgisayarla bağlantı kurabilmeniz için, (isteğe bağlı bir donanım olan) WLAN adaptörünü de kullanabilirsiniz.

WLAN, sadece orijinal adaptörüyle çalışan bir özelliktir, bu adaptörü ürün satıcınızdan temin edebilirsiniz.

### **pagepro 1490MF:**

Çok fonksiyonlu aygıt, aygıtın USB bağlantı noktasına bir USB-DECT temeli bağlamanıza izin verir ve bu temele DECT elaygıtları kaydetmenizi sağlar. Böylece, çok fonksiyonlu aygıtın telefon hattını kullanarak (standart telsiz telefon kullanımı) kaydedilmiş DECT elaygıtlar ile hem çağrı gönderebilir hemde çağrı alabilirsiniz.

Sesli iletişim, opsiyonel bir seçenektir ve yalnızca özel bir USB DECT donanımı ile çalışır, bu donanımı ürün satıcınızdan temin edebilirsiniz.

Cihazınız, çoklu görev erişimi ve komutları sayesinde kullanıcı dostudur.

Gösterilen MFP Laser çok fonksiyonlu terminallerde bir 600 dpi tarayıcı ile 20 s/dk baskı hızında siyah beyaz bir laser yazıcı bulunur. Companion Suite Pro yazılımı çok fonksiyonlu terminal ünitenizi bilgisayarınız üzerinden bir tarayıcı ve yazıcı olarak kullanmanızı sağlar. Bu yazılım sayesinde, çok fonksiyonlu terminal ünitenizi yönetme olanağına da sahip olursunuz.

## Güvenlik

### **Güvenlik talimatları**

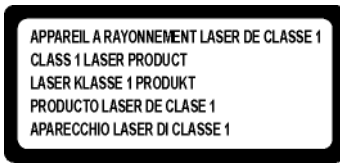
Cihazınızı açmadan önce,bağlayacağınız prizin cihazınızın üzerinde yer alan bilgi levhasındaki (voltaj, akım, güç kaynağı frekansı) göstergelerine uygun olup olmadığını kontrol edin. Bu cihaz, bir monofaz sektör güç kaynağı şemasına bağlı olmalıdır. Cihaz direk olarak yere kurulmamalıdır.

Piller ve bataryalar, paketler ve elektrik, elektronik donanımları (EEE) bu kitapçığın ÇEVRE bölümündeki talimatlara uygun olarak imha edilmelidir.

Cihazın modeline göre, akım priz fişi elektrik ağını kesmek için tek yol olabilir.Böyle durumlarda şu talimatlara uyulması gerekir: cihazınız, bağlanacağı prizin yakınında olmalıdır. Priz rahatlıkla ulaşılabilir bir yerde bulunmalıdır.

Cihazınız topraklanmış bir fişle donatılmış sektör kablosuyla birlikte teslim edilir. Topraklanmış bir akım fişinin

kesinlikle, binanın emniyet topraklama sistemine bağlı bir topraklama ile donatılmış olması gerekmektedir



**Onarımlar-bakım:** Onarım ve bakım işlemleri sadece yetkili bir teknisyen tarafından yapılmalıdır. Makinenin içinde kullanıcının tamir edebileceği hiçbir parça yer almamaktadır. Elektrik çarpması riskini en aza indirmek için, bu tür faaliyetleri asla kendi başınıza yürütmeyiniz, zira kapakların açılıp, kapanması ile şu iki tehlikle yüzyüze gelebilirsiniz:

- *Lazer ışını, insan gözü üzerinde geri dönüşü olmayan problemlere yol açabilir.*
- *Elektrik yüklü parçalarla temasta bulunmak, son derece ağır sonuçlar yaratabilecek bir elektrik şokuna sebep olabilir.*

## EMC

### ABD'deki kullanıcılara yönelik not

Bu ekipman test edilmiştir ve FCC Kuralları'nın 15. kısmı olan B sınıfı bir dijital cihazın limitleriyle uyumludur. Bu limitler, yerleşik bir kurulumda zararlı parazitlere karşı makul ölçüde koruma sağlar.

Bu ekipman, radyo frekansı üretir, kullanır ve yayar, talimatlara uygun şekilde kullanılmadığında, radyo iletişimlerinde zararlı parazite neden olabilir. Yine de, parazitin özel bir kurulumda meydana gelmeyeceği garanti edilemez.

Bu ekipman, radyo veya televizyon alışıında zararlı parazite neden olur, bu da ekipmanın açılıp kapanması ile anlaşılabilir. Kullanıcı, paraziti düzeltme konusunda aşağıdaki ölçüleri dikkate alarak hareket etmelidir.

1. Alıcı antenin yerini ve yönünü değiştirin.
2. Ekipman ve alıcı arasındaki açıklığı arttırın.
3. Ekipmanı, alıcının bağlı olduğu devredeki prizden farklı bir prize takın.
4. Yardım almak için deneyimli bir satıcıya veya bir radyo / TV teknisyenine danışın.

### Uygunluk bildirgesi

Bu cihaz FCC Kuralları Bölüm 15 ile uyumludur. Çalıştırma işlemi aşağıdaki iki şarta tabidir:

1. Bu cihaz zararlı girişime yol açmayabilir ve
2. bu cihaz, istenmeyen çalışmaya neden olabilecek girişim de dahil olmak üzere alınan herhangi bir girişimi kabul etmelidir.

### Kanada için EME Uyumluluğu

Bu "B" Sınıfı dijital cihaz Kanada ICES-003 ile uyumludur.

Cet appareil numérique de la classe B est conforme à la norme NMB-003 du Canada.

### Lazer Güvenlik Bilgileri

**UYARI:** Bu kılavuzda belirtilenin dışındaki denetim, ayar ya da performans prosedürlerinin kullanımı zararlı ışığa maruz kalma ile sonuçlanabilir.

Bu cihaz uluslararası güvenlik standartları ile uyumludur ve Sınıf 1 Lazer Ürünü olarak sınıflandırılır.

Lazerlere özel referans ile bu cihaz devlete ait, ulusal ve uluslararası makamlar tarafından Sınıf 1 Lazer Ürünü olarak belirlenen lazer ürün performans standartları ile uyumludur. Müşteri tarafından gerçekleştirilen işletme ve bakım aşamalarının tümünde ışının tamamen kapalı olması nedeniyle zararlı ışık yaymaz.

### Avrupa/Asya için

Bu terminal, IEC 60825-1:1993+A1:1997 standartlarına uygundur ve 1. sınıf bir lazer cihazıdır aynı anda ofis/EDP işlem kullanımı açısından güvenlidir. Terminal bir adet sınıf 3B lazer diyot, 10,72 miliwatt, 770-795 nanometre ve diğer 1.sınıf diyotları (280 µW at 639 nm) içerir.

Lazer ışınıyla doğrudan (veya dolaylı yansımali) göz teması, ciddi göz hasarına yol açabilir. Güvenlik önlemleri veya kilit mekanizmaları, operatörün maruz kalabileceği olası lazer ışınlarını engelleyecek şekilde tasarlanmıştır.

## Kuzey Amerika için

---

CDRH Kanunları.

24 Haziran 2007 tarihli Lazer No. 50 sapmalardan hariç, bu ekipman lazer ürünlerin FDA performans standartlarına uygundur ve 1.sınıf 3B lazer diyot, 10,72 milliwatt, 770-795 nanometre dalga boyu ve diğer 1.sınıf diyotları (280 µW at 639 nm) içerir.

Işınların tüm operasyonlar ve bakım sırasında tamamen kuşatılmasından ötürü bu ekipman, tehlikeli ışıkları yaymaz.

## Düzenleyici Bilgiler

---

### Avrupa'daki Sertifikasyonlar

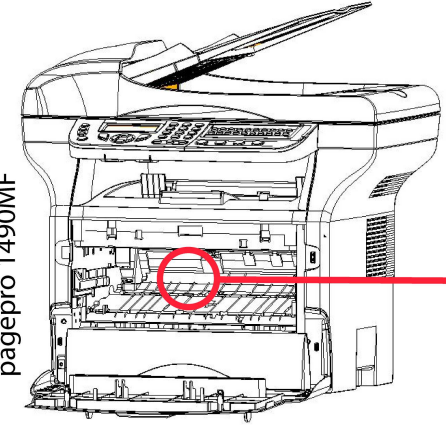
---



CE	Bu ürüne uygulanan CE işareti un belirtilen tarihlerden itibaren aşağıdaki uygulanabilir Avrupa Birliği Direktifleri ile uyumlu olduğunun bir sembolüdür:
Aralık 12, 2006:	Tadil edilmiş şekliyle Konsey Direktifi 2006/95/EC. Alçak gerilim cihazları ile ilgili üye devletlerin kanunlarının birbirine yakınlaştırılması.
Aralık 15, 2004:	Tadil edilmiş şekliyle Konsey Direktifi 2004/108/EC. Elektromanyetik uyumluluk ile ilgili üye devletlerin kanunlarının birbirine yakınlaştırılması.
Mart 9, 1999:	Konsey Direktifi 99/5/EC, radyo cihazları ve telekomünikasyon terminal cihazları ve karşılıklı uygunluğun tanınması hakkında.

## Aygıt üzerindeki güvenlik etiketlerinin yerleşimi

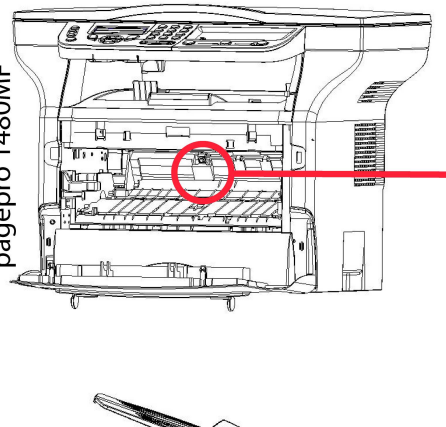
Güvenlik tedbirleri için, aygıtın aşağı belirtilen bazı bölümleri üzerine uyarı etiketleri yerleştirilmiştir. Kendi güvenliğinizi için, bir kağıt sıkışması müdahalesinde bulunurken ya da toner kartuş değişimi yaparken bu yüzeylere dokunmayınız.



pagepro 1490MF



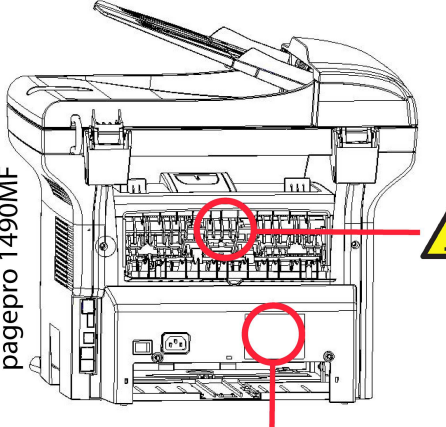




pagepro 1480MF



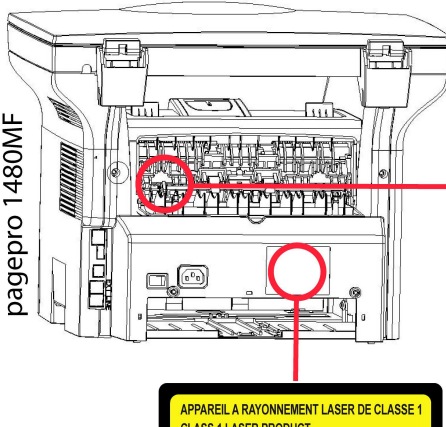




pagepro 1490MF







pagepro 1480MF







APPAREIL A RAYONNEMENT LASER DE CLASSE 1  
 CLASS 1 LASER PRODUCT  
 LASER KLASSE 1 PRODUKT  
 PRODUCTO LASER DE CLASE 1  
 APARECCHIO LASER DI CLASSE 1

APPAREIL A RAYONNEMENT LASER DE CLASSE 1  
 CLASS 1 LASER PRODUCT  
 LASER KLASSE 1 PRODUKT  
 PRODUCTO LASER DE CLASE 1  
 APARECCHIO LASER DI CLASSE 1

	 
<b>CAUTION</b>	Hot surface avoid contact
<b>ATTENTION</b>	Surface chaude Évitez tout contact
<b>ACHTUNG</b>	Heiße Oberfläche Kontakt vermeiden
<b>ATTENZIONE</b>	Superficie calda Evitare il contatto
<b>PRECAUCIÓN</b>	No tocar. Zona muy caliente.
<b>VOORZICHTIG</b>	Heet oppervlak vermijd contact
<b>FÖRSIKTIGT</b>	Het yta. Rör ej.
<b>FORSIGTIG</b>	Varm overflade, undgå berøring
<b>FORSIKTIG</b>	Varm overflate, unngå kontakt
<b>OSTRZEŻENIE</b>	Gorąca powierzchnia nie dotykać
<b>CUIDADO</b>	Superficie quente Evitar contacto
<b>POZOR</b>	Horký povrch nedotýkat se
<b>FIGYELEM</b>	Ne érintse meg a forró felületeket!
<b>TÄRKEÄÄ</b>	Kuuma pinta älä koske.
<b>ОСТОРОЖНО</b>	Горячая поверхность Избегайте контакта
<b>注意</b>	表面高温、请勿接触。
<b>注意</b>	表面高温請勿碰觸
<b>고온주의</b>	표면이 뜨거우므로 만지지 않도록 주의하십시오.
<b>注意</b>	表面が熱くなっていますので触らないでください。

## Ana güç şalteri için semboller

IEC-60417 sayılı yasaya uygun olarak, cihaz şu güç anahtarı sembollerini kullanmaktadır:

-  GÜÇ AÇIK demektir.
-  GÜÇ KAPALI demektir.

Download from [www.Somanuals.com](http://www.Somanuals.com). All Manuals Search And Download.

-119-



# Kurulum

## Yer koşulları

Uygun bir yer seçerek terminalin uzun ömürlülüğünü sağlarsınız. Seçilen yerin aşağıdaki özelliklere sahip olup olmadığını kontrol edin:

- Havalandırması iyi olan bir yer seçin.
- Cihazın sağ ve solundaki havalandırma ızgaralarını kapatmadığınızdan emin olun. Bütün kapakların kolayca açılabilmesi için kurulum sırasında terminali etraftaki nesnelere 30 santimetre kadar uzağa yerleştirdiğinizden emin olun.
- Bu yerin herhangi bir amonyak ya da diğer organik gaz emisyonu tehlikesi göstermediğinden emin olun.
- Terminali bağlayacağınız toprak prizinin yeri (**Güvenlik** bölümünde belirtilen uyarılara başvurun) terminal yakınında ve kolay ulaşılabilir olmalıdır.
- **Terminalin doğrudan güneş ışığına maruz kalmadığından emin olun.**
- Terminali bir havalandırma ve ya ısıtma sisteminden kaynaklanan hava akımına maruz kalan, ya da büyük sıcaklık ve nem yükselmeleri olan bir alana yerleştirmeden emin olun.
- Terminalin şiddetli sarsıntılara maruz kalmayacağı sert ve yatay bir yüzey seçin. Cihazınızı direk olarak yere koymayın.
- **Terminali, havalandırma kapılarını kapatabilecek bir nesneden uzak tutun.**
- Terminali duvar kağıdından ya da kolay alev alabilen maddelerden uzak bir yere yerleştirin.
- Su ya da diğer sıvı sıçramalarından uzak tutun.
- Seçtiğiniz yerin kuru, temiz ve tozsuz olduğundan emin olun.

## Kullanım tedbirleri

Terminali kullanırken aşağıda belirtilen önemli tedbirlere dikkat edin.

### Çalışma çevresi:

- Sıcaklık: 10 °C'den 27 °C'ye [50 °F'dan 80.6 °F'a] sıcaklık dereceleri ve ortam nemi 15 ve 80% arasında olmalıdır (32°C'ye kadar [89.6 °F] sıcaklık dereleri ve ortam nemi 15 ve 54% arasında olmalıdır).

### Terminal:

Aşağıdaki bölümde, terminal kullanılırken alınması gereken tedbirler açıklanmaktadır:

- Yazdırma esnasında terminali asla kapatmayın ve kapakları asla açmayın.
- Asla Terminalin yakınında gaz, yanıcı sıvı yada manyetik bir alan oluşturan maddeler kullanmayın.
- Güç kablosunu fişten çıkarırken, asla kablosundan çekmeyin. Hasarlı bir kablo yangın ya da elektrik şoku tehlikesine sahiptir.
- Asla ıslak ellerle güç kablosuna dokunmayın. Elektrik şokuna uğrama riski alırsınız.
- Terminali yerinden hareket ettirmeden önce daima elektrik kablosunu fişten çekin. Aksi takdirde kabloya hasar verebilir ve elektrik şoku ya da yangın tehlikesini yaratabilirsiniz.
- Terminali uzun süreliğine kullanmama kararı verdiğinizde daima güç kablosunu fişten çekin.
- Güç kablosunun üstüne asla bir nesne koymayın, çekmeyin ya da katlamayın. Aksi halde yangın çıkmasına ya da elektrik şokuna sebep olabilirsiniz.
- Terminalin, güç kablosunun ya da diğer herhangi cihaz iletim kablosunun üstünde durmadığından her zaman emin olun. Ayrıca terminal iç mekanizmasına hiçbir kablunun değmediğinden emin olun. Böyle bir durum, terminal arızasına ya da yangın tehlikesine neden olabilir.
- Yazıcıya bir arabirim kablosu takmadan (ya da çıkarmadan) yazıcı kablosunun güç prizinden çıkarıldığından emin olun (korunmalı bir arabirim kablosu kullanın).
- Sabit bir levha ya da kapağı asla çıkarmayı denemeyin. Terminal yüksek gerilim devrelerine sahiptir. Bu devrelerle herhangi bir temas elektrik şokuna sebep olabilir.
- Asla terminali modifiye etmeye çalışmayın. Aksi halde yangın çıkmasına ya da elektrik şokuna sebep olabilirsiniz.
- Ataç, raptiye ya da herhangi metal maddelerin havalandırma kapıları ya da diğer girişler yoluyla terminalin içerisine girmesinden her zaman emin olun. Bu tür maddeler elektrik şoku ya da yangın tehlikesi oluşturabilirler.

- Su ya da herhangi bir sıvının terminalin üstüne ya da yakınına dökülmesinden kaçınınız. Terminalin su ya da başka bir sıvıyla teması yangın ya da elektrik şoku tehlikesine sebep olabilir.
- Eğer sıvı ya da metal maddeler terminalin içerisine kazara girerse derhal kapatın, güç kablosunu fişten çekin ve ürün sağlayıcınızla bağlantıya geçin. Aksi takdirde, yangın ya da elektrik şokuyla karşılaşabilirsiniz.
- Sıcaklık, duman, alışılmadık gürültü ya da koku yayması durumunda, derhal terminalizi fişten çıkarın ve ürün sağlayıcınıza başvurun. Aksi takdirde, yangın ya da elektrik şokuyla karşılaşabilirsiniz.
- Herhangi bir "elektrik fırtınası" süresince terminalinizi kullanmaktan kaçınınız. Zira böyle bir durum, yıldırım düşmesi neticesi elektrik şoku riski taşımaktadır.
- Yazdırma işlemi sırasında terminalinizin yerini değiştirmeyin.
- Yerini değiştirmek istediğinizde, terminalinizi havaya kaldırın, sürümeyin.



Terminalinizi havalandırması iyi olan bir alana yerleştirin. Yazıcının işleyişi sırasında çok küçük bir miktarda ozon gazı yayılır. Eğer yazıcınız havalandırması iyi olmayan bir yerde bulunuyorsa, bu nedenle yoğun olarak çalıştığı zamanlarda hoş olmayan bir kokuya sebebiyet verebilir. Daha emin bir şekilde kullanımı için, terminali iyi havalandırılan bir alana kurun.

## Güvenlik bilgisi

Ürününüzü kullandığınızda, aşağıdaki güvenlik tedbire her zaman uymalısınız.

### İşletim sırasında güvenlik

Bu bilgi belgesinde, şu simgeler kullanılıyor:

<b>DİKKAT:</b>	<b>Tehlikeli bir durumu belirtir ve yönergelerle uymadığınız takdirde, ciddi yaralanmaya ya da ölüme neden olabilir.</b>
<b>UYARI:</b>	Tehlikeli bir durumu belirtir ve yönergelerle uymadığınız takdirde, önemsiz ya da orta dereceli yaralanmayı ve malınıza zarar vermesini gösterir.

### DİKKAT

- Güç kabloyu duvar prizine takın, uzatma kablosu asla kullanmayın.
- Eğer güç kablosu ya da fiş yıpranmışsa ve hasarlıysa, fişi çekin (fişi çekerek, kabloyu çekmeyin).
- Elektrik şok ya da lazer radyasyon tehlikelerden kaçınmak için, işlem talimatlarındaki belirlenen kapaklardan ve vidalardan hariç herhangi bir kapağı ya da vidayı çıkarmayın.
- Eğer bu durumların birisyle karşılaşırsanız gücün bağlantısını kesin ve güç fişini çekin (fişi çekerek, kablo değil):
  - Herhangi bir sıvının ürün içine dökülmesi.
  - Ürününüzün servise ya da onarıma girmesi gerektiğini şüphelerseniz.
  - Ürününüzün kapağı hasarlıysa.
- Dökülen ya da kullanılan kartuşu yakmayın. Kartuş tozu alev maruz kaldığında ateşlenebilir.
- Kartuş boşaltmasını yetkili satıcılarda ya da toplama alanlarda yapabilirsiniz.
- Eski kartuşların (ya da kutuların) atılması yerel yönetmeliklere uymalıdır.

### UYARI

- Ürünü, nemden ve yağmurlu havadan örneği yağmurdan, kardan v.s koruyun.
- Ürünün yerini değiştirmeden önce mutlaka güç kabloyu duvar prizinden çekin. Ürünün yerini değiştirirken, güç kablunun zarar görmediğini kontrol edin.
- Güç kablosunu duvar prizinden çektiğiniz sırasında, mutlaka fişini çekin (kabloyu çekmeyin).
- Ataç, raptiye ya da herhangi metal maddelerin ürünün içine girmediğini kontrol edin.
- Kartuşları (yeni ya da eski, kartuş kutuları) ve mürekkep kartuşları (eski ve ya yeni) çokların erişemediği bir yerde tutun.

- kağıt yaprakları düzeltmek ya da anahtarı bağlamak için elinizi ürünün içine sokarsanız keskin kenarla dikkat edin.
- Çevresel etkilerini dikkate alarak, ürünü ve diğer kaynak atıkları atık toplama noktalarına bırakmayın. Kartuş boşaltmasını yetkili satıcılarda ya da toplama alanlarda yapabilirsiniz.
- Ürünlerimiz kalite ve işlevsellik yüksek standartlarını karşılamak amacıyla geliştirildi. Yalnızca yetkili satıcıların harcanılabilir kaynakları kullanmanızı öneririz.

## Güç Kaynağı

Priz çıkışı ürüne yakın olmalıdır ve kolayca ulaşabilmesi gerekir.

## Simgelerin kullanma kuralları



### DİKKAT

Önemli güvenlik notları belirter.

Bu notları imhal ettiğinizde ciddi yaralama ya da ölüm riskiyle karşılaşabilirsiniz. Bu notları okuduğunuza emin olun. Bu notları, kılavuzun Güvenlik bilgisi bölümünde bulabilirsiniz.



### UYARI

Önemli güvenlik notları belirter.

Bu notları imhal ettiğinizde orta dereceli ya da önemi az olan yaralama ile karşılaşabilirsiniz, ve makinalarınıza zarar verebilirsiniz. Bu notları okuduğunuza emin olun. Bu notları, kılavuzun Güvenlik bilgisi bölümünde bulabilirsiniz.

## Çevre

Çevrenin korunması, imalatçı firma açısından son derece önemlidir. İmalatçı firma, tüm donatım konularında çevreye duyarlı bir hizmet verilmesini arzu etmektedir ve ürünlerinin imalat, kullanım ve kullanımdan kalkma gibi süreçlerinin bütünlüğünde çevreye uyumunu sağlamayı tercih etmektedir.

## Paketleme



(Yeşil noktalı) logo, paketlerin geri dönüşüm altyapısını geliştirmeye çalışan, kabul görmüş ulusal bir organizasyona verilen desteği ifade etmektedir.

Geri dönüşümü kolaylaştırmak amacıyla, bu tip atıkların ayrıştırılması ve imhasıyla ilgili olarak, bölge kurallarına uygun olarak hareket ediniz.

## Bataryalar ve piller

Eğer ürününüz, bataryaları ya da pilleri içeriyorsa, söz konusu parçalar bu amaca yönelik olarak kurulmuş toplama merkezlerinde yok edilmelidir.

## Ürün



Ürünün üzerinde bulunan etiketteki şeritli çöp kutusu sembolü, onun elektrik ve elektronik malzeme cinsinden olduğunu belirtmektedir.

Bu nedenle, Avrupa Birliği Mevzuatı uyarınca, onu bu amaca ayrılmış toplama merkezlerinde yok etmeniz gerekmektedir. Bu bölgeler:

- Muadilin (eşdeğer donanım) satın alınması durumunda dağıtım noktaları
- Bölgesel toplama noktaları (çöp boşaltma yeri, seçilmiş yığılma alanı, vs.)

Böylelikle, çevre ve insan sağlığı üzerinde potansiyel etkileri olabilen "Elektrik ve Elektronik Donanım Atıklarının değerlendirilmesi ve yeniden kullanımı programına iştirak etmiş olursunuz.

# Yazılım kullanımı lisansı

YAZILIMIN BULUNDUĞU MÜHÜRLÜ ZARFI AÇMADAN ÖNCE, MEVCUT LİSANSLA İLGİLİ ŞARTLARI VE KOŞULLARI DİKKATLİ BİR ŞEKİLDE OKUYUNUZ. BU ZARFI AÇMANIZ, BU ŞART VE KOŞULLARI KABUL ETTİĞİNİZ ANLAMINA GELECEKTİR.

Bu lisansın şartlarını kabul etmemeniz durumunda, DVD-ROM paketini, ürünün diğer parçalarıyla birlikte, açılmamış olarak satıcısına geri vermeniz gerekir. Böyle bir durumda ödenen ücret iade edilecektir. DVD-ROM paketi açılmış ya da parçalar eksik olarak geri verilmiş ya da iade satın alımdan sonraki 10 gün içerisinde yapılmış ise, hiçbir (geri) ödeme yapılmaz. Bu durumda makbuzunuz, malı satın aldığınıza dair bir belge olarak kabul edilir.

## Tanımlama

Yazılım ilgili doküman ve programları belirtir.

## Lisans

Bu lisans size, yazılımı bir bölgesel erişim ağı dahilinde bilgisayarınız üzerinde kullanma izni verir. Yazılımı sadece tek bir çok fonksiyonlu terminal üzerinde kullanma hakkınız vardır. Yazılımı başkasına ödünç veremez ve kullanma yetkisini devredemezsiniz.

Ancak, yedek amaçlı olarak bir kopya alma hakkına sahipsiniz.

- Bu lisans şahsa ait değildir ve transfer edilemez.

## Mülkiyet Hakkı

Malatçı firma yada onun tedarikçi firmaları yazılımın mülkiyet hakkını ellerinde tutarlar. Siz yalnızca DVD-ROM'un sahibi olursunuz. Siz, yazılım ya da dokümantasyonla ilgili olarak değişiklik yapma, uyarılama, üründen türeyen başka bir parça yaratma, tercüme etme, kiralama ya da satma hakkına sahip değilsiniz. Kati suretle kabul edilmiş haklar, imalatçı ya da onun tedarikçi firmalarınca saklı tutulurlar.

## Süre sınırlaması

Bu lisans, iptal oluncaya değin geçerliliğini korur. Programı, dpkümantasyonu ve kopyalarını imha ederek lisansı iptal edebilirsiniz. Ayrıca lisans, şartlara uyulmaması durumunda da otomatik olarak geçersiz kılınacaktır. Eğer lisans iptal edilirse, siz, programın tüm örneklerini ve onunla ilgili yardımcı unsurları imha etmeyi kabul etmiş sayılırsınız.

## Garanti Kapsamı

Yazılım, kişisel ya da ticari kullanım da buna dahil olmak üzere ister ifade isterse ima ile olsun hiçbir garanti verilmemiş halde teslim edilir. Bu yazılımın performans ve neticeleri ile ilgili her türlü risk müşteri tarafından kabul edilir. Programda bir arıza oluştuğunda tüm tamir ve servis harcamaları alıcı tarafından karşılanır.

Bununla birlikte, lisans sahibi aşağıdaki garantilerden yararlanır: Yazılımın kayıtlı olduğu DVD-ROM garanti kapsamındadır. Yazılımı normal şartlar altında kullanması ve işletmesi koşuluyla, alıcı üründe imalat hatası olması durumunda, ürünü satın almasını takiben doksan (90) gün boyunca garanti hakkına sahiptir. Satış makbuzu, malın satın alındığına dair bir belge olarak kabul edilir. Bir kaza yada hatalı (uygunsuz) kullanımdan kaynaklanan DVD-ROM'daki bir hata durumunda, DVD-ROM, garanti kapsamında olmayıp, yenisiyle değiştirilmeyecektir.

## Sorumluluk

DVD-ROM'un uygun çalışmadığı durumlarda yapabileceğiniz tek şey, onu, makbuzunun bir fotokopisiyle birlikte perakendeci firmaya göndermektir. DVD-ROM'u değiştirmek, perakendeci firmanın asli sorumluluğudur. Bu programın, oluşturulması, gerçekleştirilmesi, satılabilirliğinin sağlanması ve teslimatıyla ilgilenen imalatçı firma da dahil olmak üzere hiç kimse, programın kullanımı ya da böyle bir programı kullanım yetersizliğine bağlı olarak ortaya çıkabilecek, müşteri, gelir, zaman, bilgi kayıplarıyla, doğrudan ya da dolaylı ya da maddesel olmayan hasarlarla ilgili sorunlardan sorumlu olamaz.

## Geliştirme

Sürekli gelişimi amaçlayan imalatçı firma, hiçbir bildirimde bulunmaksızın, yazılımda iyileştirme yapma hakkını kendinde saklı tutar. Değiştirme durumunda, kullanıcı hakkınız, size ücretsiz güncellemelere erişme hakkını vermez.

## Hukuki Uygulama

---

Bu lisans, Fransız kanunlarının denetimi altındadır. Bu lisansın uyarlanması ya da işletilmesinde doğabilecek herhangi bir hukuki durumda, Paris mahkemeleri yetkili olacaktır.

Teknolojik gelişimin sürekliliğini sağlayan imalatçı firma, önceden bildirim yapmaksızın ve / yada ürünün imalatını durdurmadan, herhangi bir zamanda, bir üründe belirtilen teknik özelliklerde değişikliğe gitme hakkını kendinde saklı tutar. Sahipleri adına tescilli ticari markalarla tüm ürün ve marka isimleri mevcut belgede tanımlanmaktadır.

## Tescilli ticari markalar

---

Teknik gelişimin sağlanması amacıyla, imalatçı firma, herhangi bir zamanda ve bildirim yapmaksızın, bu ürünün teknik özelliklerini değiştirme ve / yada üretimini durdurma hakkını kendinde saklı tutar. Companion Suite Pro, Sagem Communications'in tescilli markasıdır.

Burada adları geçen Adobe® ve Adobe® ürünleri, Adobe Systems Incorporated firmasının tescilli markalarıdır.

PaperPort11SE, ScanSoft'un tescilli markasıdır.

Burada adı geçen Microsoft® Windows 2000®, Microsoft® Windows Server 2003®, Microsoft® Windows XP®, Microsoft® Windows Vista® ve diğer Microsoft® ürünleri ABD ve/veya diğer ülkelerde kayıtlı ve/veya kullanılan Microsoft Corporation firmasının tescilli markalarıdır.

Burada örnekler olarak yada detaylı bilgi vermek için kullanılan diğer tüm damgalar ve ürünler sahiplerinin tescilli markalarıdır.

Bu kullanım kitapçığı dahilindeki bilgiler de bildirilmeksizin değişikliğe uğrayabilirler.

## Yasaklanan kopyalamalar

---

İlgili yasa ile çoğaltılmaları yasaklanmış dokümanları asla kopyalamayın, yazdırmayın.

Yasa tarafından genel olarak kopya ya yazımı yasaklanan dokümanlar şunlardır:

- banknotlar
- çekler;
- tahviller;
- depozito sertifikaları;
- borç senetleri;
- pasaportlar;
- sürücü belgeleri.

Yukarıdaki liste örnek olarak verilmiştir, tam liste olma özelliğine sahip değildir. Bazı belgelerin basımı ya da kopyalanması konusunda yasal olmadığına dair bir şüphe oluşması halinde, hukuki bir danışmana başvurun.

<b>BEZPEÈENOSTNÍ POKYNY</b>	<b>126</b>
<b>Vážený uživatel</b>	<b>126</b>
<b>Bezpečnost</b>	<b>126</b>
<i>Bezpečnostní pokyny</i>	126
EMC	127
<i>Oznámení pro uživatele ve Spojených státech amerických</i>	127
<i>Prohlášení o shodi</i>	127
<i>Shoda s EME pro Kanadu</i>	127
<i>Bezpečnostní informace o laserovém zařízení</i>	127
<i>Pro Evropu/Asii</i>	128
<i>Pro Severní Ameriku</i>	128
<i>Informace o certifikaci</i>	128
<i>Umístění bezpečnostních štítků na stroji</i>	129
<i>Symboly na vypínači napájení</i>	129
<b>Instalace</b>	<b>130</b>
<i>Podmínky pro umístění</i>	130
<i>Bezpečnostní opatření při používání</i>	130
<i>Bezpečnostní informace</i>	131
<i>Bezpečnost při provozu</i>	131
<i>Napájení</i>	132
<i>Pravidla pro používání symbolů</i>	132
<b>Životní prostředí</b>	<b>132</b>
<i>Obaly</i>	132
<i>Baterie a akumulátorové baterie</i>	132
<i>Výrobek</i>	132
<b>Licence k používání programového vybavení</b>	<b>133</b>
<i>Definice</i>	133
<i>Licence</i>	133
<i>Vlastnictví</i>	133
<i>Doba trvání</i>	133
<i>Záruka</i>	133
<i>Odpovědnost</i>	133
<i>Vývoj</i>	133
<i>Aplikovatelné právo</i>	134
<i>Registrované obchodní značky</i>	134
<i>Zákaz reprodukce</i>	134

# BEZPEČNOSTNÍ POKYNY

## Vážený uživateli

Zakoupením tohoto multifunkčního zařízení jste se rozhodli pro kvalitní výrobek. Vaše zařízení splňuje různé specifikace moderního kancelářského automatického zařízení.

Tento přístroj umožňuje barevné skenování, faxování, tisk a černobílé kopírování (**pagepro 1490MF**). Multifunkční zařízení můžete připojit k vašemu PC (Microsoft Windows 2000/XP/Vista).

Nainstalujte dodaný software, abyste mohli používat multifunkční zařízení jako tiskárnu. Mimoto můžete pomocí PC dokumenty skenovat, editovat a ukládat. K dispozici máte přípojku s adaptérem WLAN (zvláštní příslušenství) pro bezdrátovou komunikaci s osobním počítačem.

WLAN je příslušenství pracující jen s originálním adaptérem, který můžete získat u vašeho prodejce.

### **pagepro 1490MF:**

K jednomu USB portu tohoto multifunkčního přístroje můžete připojit USB-DECT základnu a zaregistrovat u této základny DECT telefony. Potom můžete volat a přijímat telefonní hovory na vaše registrované DECT telefony, přičemž používáte telefonní linku multifunkčního přístroje (použití jako standardní telefon).

Hlasová komunikace je zvláštní příslušenství pracující jen s konkrétním USB DECT klíčem, který můžete získat u vašeho prodejce.

Díky jeho ovladatelnosti a univerzálnosti je zařízení výkonné, uživatelsky přívětivé a snadno použitelné.

Multifunkční zařízení MFP Laser je dodáváno se skenerem s rozlišením 600 dpi a černobílou laserovou tiskárnou, nabízející rychlost tisku 20 stran za minutu. Dodaný software Companion Suite Pro vám umožňuje používat Váš multifunkční terminál jako skener a tiskárnu z osobního počítače. Také vám

## Bezpečnost

### ***Bezpečnostní pokyny***

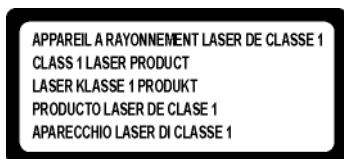
---

Před zapnutím zařízení zkontrolujte, zda zásuvka, do které se chystáte zařízení zapojit, odpovídá údajům uvedeným na typovém štítku na vašem zařízení (elektrické napětí, proud, frekvence sítě). Toto zařízení se připojuje do jednofázové elektrické sítě. Toto zařízení se nesmí instalovat na holou podlahu.

Baterie a akumulátorové baterie, obaly a elektrické a elektronické vybavení (EEE) se musí likvidovat v souladu s pokyny uvedenými v kapitole ŽIVOTNÍ PROSTŘEDÍ v tomto manuálu.

Vzhledem k modelu zařízení je zástrčka na napájecím kabelu jediným způsobem, jak odpojit zařízení od elektrické rozvodné sítě, což je důvodem proč je bezpodmínečně nutné dodržet následující bezpečnostní opatření: výše zmíněné zařízení musí být připojeno do zásuvky umístěné v bezprostřední blízkosti. Zásuvka musí být snadno přístupná.

Vaše zařízení je dodáváno s uzemněným napájecím kabelem. Uzemněná zástrčka musí být zapojena do uzemněné zásuvky připojené k ochrannému uzemnění budovy.



**Opravy - údržba:** Opravy a údržbu přenechejte kvalifikovanému technikovi. Uživatel nesmí opravovat žádnou z vnitřních částí stroje. Aby se zabránilo riziku úrazu elektrickým proudem, nesmíte provádět tyto operace sami, protože otevřením nebo odstraněním krytu se vystavujete dvěma rizikům:

- Kontakt lidského oka s laserovými paprsky může způsobit trvalé poškození zraku.
- Kontakt s částmi napájenými proudem může způsobit elektrický šok, jehož následky mohou být velmi vážné.

## EMC

### Oznámení pro uživatele ve Spojených státech amerických

Toto zařízení bylo testováno a shledáno shodným s omezeními pro digitální zařízení třídy B, dle části 15 Směrnice FCC. Tato omezení jsou navržena tak, aby poskytovala ochranu před nebezpečným rušením v domácí instalaci.

Toto zařízení vytváří, používá a může vyzařovat energii na radiové frekvenci; není-li nainstalováno a umístěno v souladu s pokyny, může způsobovat škodlivé rušení radiové komunikace. Nezaručujeme však, že v určitých instalacích k rušení nebude docházet.

Pokud zařízení způsobuje škodlivé rušení radiového nebo televizního příjmu, což zjistíte vypnutím a zapnutím přístroje, doporučujeme pokusit se problém vyřešit některým z následujících způsobů:

1. přeorientujte nebo přemístěte anténu pro příjem,
2. zvětšete vzdálenost mezi zařízením a přijímačem,
3. připojte zařízení do zásuvky v jiném obvodu, než do kterého je zapojen přijímač,
4. obraťte se na prodejce nebo zkušeného radio / TV technika s žádostí o pomoc.

### Prohlášení o shodě

Toto zařízení splňuje požadavky Části 15 pravidel FCC. Provoz je podmíněn dvěma následujícími podmínkami:

1. Toto zařízení nesmí způsobit škodlivé rušení, a
2. toto zařízení musí přijmout jakékoliv rušení, včetně rušení, které může způsobit nežádoucí činnost.

### Shoda s EME pro Kanadu

Tento digitální přístroj Třídy "B" splňuje podmínky Canadian ICES-003.

Cet appareil numérique de la classe "B" est conforme à la norme NMB-003 du Canada.

### Bezpečnostní informace o laserovém zařízení

**UPOZORNĚNÍ:** Postupy ovládání, nastavování nebo provozování, které neodpovídají postupům popsaným v tomto návodu, mohou mít za následek nebezpečné vystavení laserovému paprsku.

Toto zařízení vyhovuje mezinárodním bezpečnostním normám a klasifikováno je Laserový výrobek třídy 1.

Toto zařízení vyhovuje normám pro výkon laserovým výrobku stanoveným vládními, národními a mezinárodními organizacemi, a vyhovuje podmínkám pro Laserový výrobek třídy 1. Toto zařízení neemituje nebezpečné záření, protože paprsek je kompletně zakrytován během všech fází provozu a údržby zařízení, prováděného uživatelem.



## Pro Evropu/Asii

---

Zařízení odpovídá normě IEC 60825-1:1993+A1:1997+A2:200 a je považováno za laserové zařízení třídy 1, které je bezpečné pro použití v kanceláři/EDP. Zařízení obsahuje jednu laserovou diodu třídy 3B s parametry 10,72 mW max., 770-795 nm a další LED třídy 1 (parametry 280 µW pro 639 nm).

Přímý (nebo nepřímý - odražený) kontakt laserového paprsku s okem může mít za následek vážné poškození oka. Aby se předešlo možnému vystavení oka obsluhy laserovému paprsku, byla navržena bezpečnostní opatření a mechanismy pro uzamčení.

## Pro Severní Ameriku

---

Pravidla CDRH

Zařízení odpovídá funkčním normám pro laserová zařízení FDA, kromě výjimek uvedených ve vyhlášce (Laser Notice) č. 50, ze dne 24. června 2007a obsahuje jednu laserovou diodu třídy 3B s parametry 10,72 mW , 770-795 nm vlnové délky a další LED třídy 1 (parametry 280 µW pro 639 nm).

Toto zařízení nebezpečný paprsek nevydává. Paprsek je ve všech režimech a při všech operacích zcela uzavřen v přístroji.

## Informace o certifikaci

---

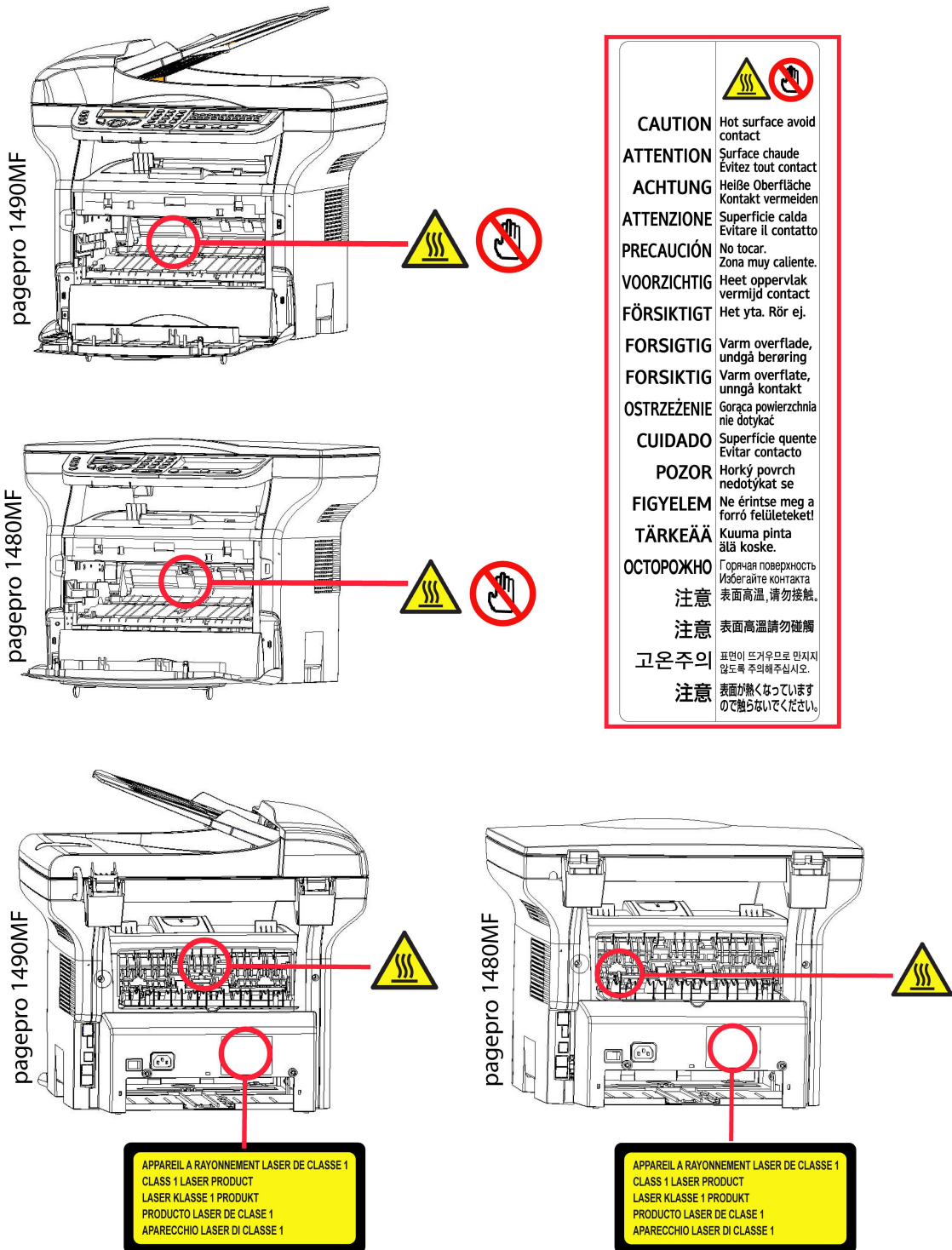
### Certifikace pro Evropu

**CE** Pro tento výrobek je použito označení CE, které symbolizuje, že je tento výrobek vyroben ve shodě s následujícími směrnici Evropské unie, platnými od uvedeného data:

- 12. prosince 2006:** Směrnice Rady Evropy 2006/95/EC v platném znění. Sjednocení zákonu členských zemí platných pro oblast nízkonapět'ových zařízení.
- 15. prosince 2004:** Směrnice Rady Evropy 2004/108/EC v platném znění. Sjednocení zákonu členských zemí platných pro oblast elektromagnetické kompatibility.
- 9. března 1999:** Směrnice Rady Evropy 99/5/EC týkající se rádiovým zařízení a telekomunikačních zařízení a vzájemného uznávání shody.

## Umístění bezpečnostních štítků na stroji

Z bezpečnostních důvodů byly na stroj umístěny výstražné štítky na níže vyznačená místa. Pro vaši bezpečnost se nikdy nedotýkejte těchto ploch během odstraňování zmuchlaného papíru nebo výměny toneru.



## Symboly na vypínači napájení

V souladu s normou IEC 60417 jsou na zařízení používány tyto symboly na vypínači napájení:

- znamená ZAPNUTO.
- znamená VYPNUTO.

# Instalace

## Podmínky pro umístění

Výběrem vhodného umístění zvýšíte životnost zařízení. Zkontrolujte, že zvolené místo nabízí následující vlastnosti:

- Zvolte dobře větratelný prostor.
- Ujistěte se, že nejsou zablokovány ventilační mřížky na levé a pravé straně zařízení. Během instalace se přesvědčte, že jste zařízení umístili třicet centimetrů od okolních předmětů, aby všechny kryty šly snadno otevřít.
- Ujistěte se, že se na tomto místě nevyskytuje čpavek ani žádné jiné nebezpečné organické plyny.
- V blízkosti zařízení musí být snadno přístupná uzemněná zásuvka (nahlédněte do bezpečnostních poznámek uvedených v kapitole **Bezpečnost**) do které připojíte zařízení.
- **Ujistěte se, že přístroj není vystaven přímému slunečnímu světlu.**
- Nedávejte zařízení do prostoru, který je vystaven proudu vzduchu od klimatizace, vytápění nebo ventilace, ani do oblasti vystavené vysoké teplotě nebo velkým změnám vlhkosti.
- Vyberte pevnou a vodorovnou plochu, na které nebude přístroj vystaven intenzivním vibracím.
- **Používejte zařízení mimo všechny objekty, které by mohly zatarasit ventilační otvory.**
- Neumíst'ujte terminál do blízkosti závěsu nebo jakýchkoliv jiných hořlavých předmětů.
- Vyberte umístění, na kterém je minimalizována možnost políť vodou nebo jinými tekutinami.
- Ujistěte se, že zvolené místo je suché, čisté a bezprašné.

## Bezpečnostní opatření při používání

Při používání přístroje vezměte do úvahy níže uvedené důležité podmínky.

### Pracovní prostředí:

- Teplota: 10 °C až 27 °C [50 °F až 80,6 °F] , relativní vlhkost okolního vzduchu v rozmezí 15 až 80% (do 32°C [89,6 °F] s relativní vlhkostí okolního vzduchu v rozmezí 15 až 54%).

### Zařízení:

V následující části jsou popsána opatření, která mají být zohledněna při používání zařízení:

- Nikdy nevypínejte přístroj ani neotvírejte kryty, dokud tisknete.
- Nikdy nepoužívejte v blízkosti přístroje plyn nebo hořlavé kapaliny nebo objekty generující magnetické pole.
- Pokud odpojujete napájecí kabel, vždy jej uchopte za konektor, netahejte přímo za kabel. Poškozený kabel představuje možné nebezpečí požáru nebo úrazu elektrickým proudem.
- Kabelu se nikdy nedotýkejte vlhkýma rukama. Můžete riskovat úraz elektrickým proudem.
- Vždy odpojte napájecí kabel před přemíst'ováním zařízení. Mohli byste poškodit kabel a vytvořit nebezpečí požáru nebo úrazu elektrickým proudem.
- Napájecí kabel odpojte vždy, když plánujete zařízení delší dobu nepoužívat.
- Na napájecí kabel nikdy nepokládejte předměty, nikdy za něj netahejte a nikdy jej neohýbejte. Mohlo by vzniknout nebezpečí požáru nebo úrazu elektrickým proudem.
- Vždy se ujistěte, že zařízení není položeno na napájecím kabelu nebo na komunikačních kabelech jakýchkoliv jiných elektrických zařízení. Také se ubezpečte, že žádný kabel ani vodič nezasahuje do vnitřního prostoru přístroje. Tím by mohl být přístroj vystaven nebezpečí poruchy nebo požáru.
- Ubezpečte se, že před připojením nebo odpojením datového kabelu tiskárny (používejte stíněný propojovací kabel) je tiskárna odpojena od napájecí zásuvky.
- Nikdy se nepokoušejte demontovat panel nebo pevný kryt. Tento přístroj obsahuje vysokonapěťové obvody. Jakýkoliv kontakt s těmito obvody může způsobit úraz elektrickým proudem.
- Nikdy se přístroj nepokoušejte upravovat. Mohlo by vzniknout nebezpečí požáru nebo úrazu elektrickým proudem.
- Vždy se ujistěte, že se do přístroje nedostanou ventilačními nebo jinými otvory kancelářské sponky, sponky pro sešívání nebo jiné malé kovové předměty. Takovéto předměty vytvářejí nebezpečí požáru nebo nebezpečí úrazu elektrickým proudem.
- Zabraňte vylití vody nebo jiné tekutiny na přístroj nebo do jeho blízkosti. Jakýkoliv kontakt přístroje s vodou nebo kapalinou může být příčinou požáru nebo úrazu elektrickým proudem.

- Pokud se náhodně dostane kapalina nebo kovový předmět do přístroje, ihned přístroj vypněte, odpojte napájecí kabel a kontaktujte vašeho prodejce. Jinak byste čelili nebezpečí požáru nebo nebezpečí úrazu elektrickým proudem.
- V případě požáru, kouře, neobvyklého zápachu nebo netypických zvuků přístroj vypněte, odpojte ihned napájecí kabel a kontaktujte vašeho prodejce. Jinak byste čelili nebezpečí požáru nebo nebezpečí úrazu elektrickým proudem.
- Vyhněte se používání terminálu během "elektrické bouře", mohlo by dojít k úrazu elektrickým proudem, vyvolaným bleskem.
- Nikdy nehýbejte s přístrojem během tisku.
- Chcete-li přístroj přesunout, nadzvedněte ho.



Ujistěte se, že přístroj je umístěn v dobře větrané místnosti. Při činnosti tiskárny vzniká malé množství ozónu. Z tiskárny může vycházet nepříjemný pach, pokud je intenzivně využívána v nevětrané místnosti. Z bezpečnostních důvodů zajistěte umístění terminálu do dobře větrané místnosti.

## Bezpečnostní informace

Při používání tohoto výrobku vždy dodržujte následující bezpečnostní opatření.

### Bezpečnost při provozu

V následujícím textu jsou používány tyto symboly:

<b>VAROVÁNÍ:</b>	<b>Označuje potenciálně nebezpečnou situaci, jejímž důsledkem, pokud nejsou dodržovány pokyny, může být smrt nebo těžké poranění.</b>
<b>POZOR:</b>	Označuje potenciálně nebezpečnou situaci, jejímž důsledkem, pokud nejsou dodržovány pokyny, může být lehké nebo středně těžké poranění nebo poškození majetku.



#### VAROVÁNÍ

- Napájecí kabel připojte přímo do zásuvky na zdi, nikdy nepoužívejte prodlužovací kabely.
- Odpojte napájecí kabel (tahejte za zástrčku, ne za kabel), pokud zjistíte, že napájecí kabel nebo zástrčka je roztržená nebo jinak poškozená.
- Aby nedošlo k nebezpečnému úrazu elektrickým proudem nebo vystavení laserovým paprskům, nesundávejte žádné kryty ani šrouby, kromě těch, které jsou označeny v návodu k obsluze.
- Vypněte přístroj a odpojte napájecí kabel (tahejte za zástrčku, ne za kabel), pokud dojde k jakékoliv následující situaci:
  - Nalili jste cokoliv do přístroje.
  - Domníváte se, že přístroj potřebuje servisní zásah nebo opravu.
  - Kryt přístroje je poškozen.
- Nespalujte rozsypaný nebo použitý toner. Tonerový prach se může při vystavení otevřenému plameni vznítit.
- Likvidace odpadu se může provádět u autorizovaného prodejce nebo na vhodných sběrných místech.
- Likvidujte použité tonerové kazety (nebo lahve) v souladu s místními předpisy.



#### UPOZORNĚNÍ

- Chraňte výrobek před vlhkostí nebo vlhkým počasím, jako je déšť, sníh, apod.
- Před přemístováním výrobku odpojte napájecí kabel ze zásuvky. Při přemístování výrobku dbejte na to, aby se napájecí kabel nepoškodil pod výrobkem.
- Při odpojování napájecího kabelu ze zásuvky tahejte vždy za zástrčku (ne za kabel).
- Nedopust' te, aby se kancelářské sponky, sponky na sešívání nebo jiné malé kovové předměty dostaly do přístroje.
- Toner (použitý i nepoužitý), kazety s tonerem (nebo lahve), inkoust (použitý i nepoužitý) nebo inkoustové náplně držte mimo dosah dětí.
- Při odstraňování zaseklého papíru ze stroje si počínejte opatrně, abyste se neporanili o žádnou ostrou hranu.

- Kvůli ochraně životního prostředí nelikvidujte zařízení ani odpadní spotřební materiál společně s odpadem z domácnosti. Likvidace odpadu se může provádět u autorizovaného prodejce nebo na vhodných sběrných místech.
- Naše výrobky jsou navrženy tak, aby splňovaly vysoké nároky na kvalitu a funkčnost, a doporučujeme vám, abyste používali pouze spotřební materiál, který je dodáván autorizovanými prodejci.

## Napájení

Zásuvka by měla být instalována co nejbližší k výrobku a měla by být snadno dostupná.

## Pravidla pro používání symbolů



### VAROVÁNÍ

Označuje důležité bezpečnostní poznámky.

Nedodržení těchto poznámek může mít za následek vážné zranění nebo smrt. Ujistěte se, že jste si tyto poznámky přečetli. Naleznete je v části Bezpečnostní informace tohoto návodu.



### POZOR

Označuje důležité bezpečnostní poznámky.

Nedodržení těchto poznámek může mít za následek lehké nebo středně těžké zranění, nebo poškození zařízení nebo majetku. Ujistěte se, že jste si tyto poznámky přečetli. Naleznete je v části Bezpečnostní informace

# Životní prostředí

Ochrana životního prostředí je pro výrobce velmi důležitá. Výrobce si přeje, aby se zařízení využívala s ohledem na životní prostředí, a rozhodl se integrovat požadavky životního prostředí do celého životního cyklu svých produktů, od výroby až po uvedení na trh, užívání a vyřazení.

## Obaly



Umístění loga na obalu (zelený bod) znamená, že byl uhrazen finanční příspěvek autorizované národní organizaci za účelem zlepšení využití obalového odpadu a recyklačních infrastruktur.

Ujistěte se, že respektujete místní pravidla třídění tohoto druhu odpadu. Usnadněte tím recyklaci.

## Baterie a akumulátorové baterie

Pokud váš výrobek obsahuje baterie nebo akumulátorové baterie, zanechte je po vyřazení v určených sběrných centrech.

## Výrobek



Přeškrtnutý kontejner na výrobku znamená, že výrobek patří do kategorie elektrických a elektronických zařízení.

Evropské směrnice po vás proto vyžadují provádění jejich selektivního sběru:

- V distribučních centrech v případě koupě srovnatelného zařízení.
- V dostupných místních sběrných centrech (sklárky, selektivní sběr, atd.).

Takto budete mít podíl na opětovném využití a vývoji odpadů z elektrických a elektronických zařízení, což může mít podstatný vliv na životní prostředí a lidské zdraví.

# Licence k používání programového vybavení

PŘED OTEVŘENÍM ZAPEČETĚNÉ OBÁLKY OBSAHUJÍCÍ SOFTWARE SI POZORNĚ PŘEČTĚTE VŠECHNY PODMÍNKY A UJEDNÁNÍ TÉTO LICENČNÍ SMLOUVY. OTEVŘENÍM TÉTO OBÁLKY TYTO PODMÍNKY A UJEDNÁNÍ PŘIJÍMÁTE.

Pokud podmínky této licenční smlouvy nepřijmete, vraťte balení DVD-ROM vašemu prodejci, a to neotevřené spolu s ostatními součástmi výrobku. Kupní cena tohoto výrobku vám bude vrácena. Refundace se neposkytuje u výrobků, u kterých byl obal DVD-ROM otevřen, nebo pokud chybí součásti nebo pokud je žádost o úhradu podána po uplynutí lhůty deseti (10) dnů počínaje datem dodání, které prokážete svojí účtenkou.

## Definice

---

Pojmem software se označují programy a související dokumentace.

## Licence

---

- Tato licence vám umožňuje používat tento software na osobních počítačích připojených k lokální síti. Pouze vy máte právo používat tento software k tisku na pouze jednom multifunkčním terminálu a toto právo používat software nemůžete nikomu propůjčit ani dát.

- Máte právo si udělat bezpečnostní kopii software.

- Tato licence je nevýlučná a nepřenosná.

## Vlastnictví

---

Výrobce nebo jeho poskytovatelé si ponechávají vlastnická práva k softwaru. Vy se stáváte pouze vlastníkem DVD-ROM. Software ani dokumentaci nesmíte měnit, přizpůsobovat, dekompileovat, překládat, vytvářet odvozeniny, pronajmout ani prodat. Veškerá práva, která nejsou výslovně přiznána, si vyhrazuje výrobce nebo jeho poskytovatelé.

## Doba trvání

---

Tato licence zůstává aktivní až do jejího zrušení. Můžete ji zrušit zničením programu a dokumentace a všech jejích dalších kopií. Tato licence se automaticky ruší v případě, že nedodržíte její podmínky. V případě zrušení licence souhlasíte se zničením všech kopií programu a dokumentace.

## Záruka

---

Software je poskytován tak, jak je, bez záruky jakéhokoli druhu, ať již výslovné nebo odvozené, včetně, bez omezení, jakýchkoli záruk obchodovatelnosti nebo vhodnosti pro konkrétní účel; kupující na sebe bere veškerá rizika týkající se výsledku a výkonu tohoto softwaru. V případě, že by program byl vadný, hradí veškeré výdaje na opravy a servis kupující.

Nicméně na držitele licence se vztahuje následující záruka: zaručujeme, že DVD-ROM, na kterém je software zaznamenán, bude po dobu devadesáti (90) dnů bez hardwarových nebo výrobních vad za předpokladu používání a provozu při normálních podmínkách, záruční lhůta běží od data dodání, jež se prokazuje kopií účtenky. Pokud by vada DVD-ROM byla způsobena havárií nebo nesprávným užíváním, DVD-ROM nebude vyměněn v rámci záruky.

## Odpovědnost

---

Pokud DVD-ROM správně nefunguje, pošlete ho prodejci společně s kopií účtenky. Za výměnu DVD-ROM je výlučně zodpovědný prodejce. Nikdo, ani výrobce, zapojený do tvorby, realizace, obchodovatelnosti nebo dodání tohoto programu neodpovídá za přímé, nepřímé či nehmotné škody jako je, nikoli však pouze, ztráta informací, časová ztráta, ztráta využití, ztráta příjmu, ztráta zákazníka, způsobené užíváním takového programu nebo neschopností takový program používat.

## Vývoj

---

Ve snaze o neustálé zlepšování si výrobce vyhrazuje právo změnit bez předchozího oznámení specifikace softwaru. V případě změny vám vaše uživatelské právo nedává nárok na přístup k bezplatným aktualizacím.

## Aplikovatelné právo

---

Tato licence se řídí francouzským právem. Veškeré spory vyplývající z výkladu nebo provádění této licence budou předloženy soudu v Paříži.

Vzhledem k neustálému technologickému vývoji si výrobce vyhrazuje právo kdykoli bez předchozího oznámení změnit technické specifikace uvedené pro tento produkt a/nebo zastavit výrobu produktu. Všechny názvy produktu a značek, které by mohly být obchodní značkou registrovanou jejich příslušným majitelem, jsou tímto uznány.

## Registrované obchodní značky

---

Vzhledem k technickému vývoji si výrobce vyhrazuje právo kdykoli bez předchozího oznámení změnit technické specifikace tohoto produktu a/nebo zastavit jeho výrobu. Companion Suite Pro je registrovaná obchodní značka společnosti Sagem communications.

Zmíněné produkty Adobe® a Adobe® jsou registrované obchodní značky společnosti Adobe Systems Incorporated.

PaperPort11SE je registrovaná obchodní značka společnosti ScanSoft.

Microsoft® Windows 2000®, Microsoft® Windows Server 2003®, Microsoft® Windows XP®, Microsoft® Windows Vista® a jakékoliv další produkty společnosti Microsoft® zde zmíněné jsou registrované obchodní značky společnosti Microsoft Corporation, registrované a/nebo používané v USA a/nebo v dalších zemích.

Všechny ostatní značky nebo názvy výrobků uvedené jako příklad nebo pro informaci jsou registrované obchodní značky jejich příslušných majitelů.

Informace obsažené v této uživatelské brožuře podléhají změnám bez předchozího oznámení.

## Zákaz reprodukce

---

Nikdy nekopírujte ani netiskněte dokumenty, jejichž reprodukce je zakázána zákonem.

Tisk nebo kopírování následujících dokumentů je obecně zakázáno zákony:

- bankovky;
- šeky;
- dluhopisy;
- depozitní certifikáty;
- bankovní směnky;
- pasy;
- řidičské průkazy.

Výše uvedený seznam je pouze informativní, nikoliv však úplný. Pokud máte pochybnosti o legálnosti kopírování nebo tisku některých dokumentů, obraťte se na právníka.

<b>BIZTONSÁGI UTASÍTÁSOK</b>	<b>136</b>
<b>Tisztelt vásárló!</b>	<b>136</b>
<b>Biztonság</b>	<b>136</b>
<i>Biztonsági utasítások</i>	136
<i>EMC</i>	137
<i>Megjegyzés Észak-amerikai felhasználók számára</i>	137
<i>Megfelelőségi nyilatkozat</i>	137
<i>EME megfelelés Kanadában</i>	137
<i>Lézerbiztonsági tudnivalók</i>	137
<i>Európa/Ázsia</i>	138
<i>Észak-Amerika</i>	138
<i>Jogszabályi információ</i>	138
<i>Európai tanúsítások</i>	138
<i>Biztonsági címkék helye a gépen</i>	139
<i>Feszültségmegszakító jelzések</i>	139
<b>Beszereles</b>	<b>140</b>
<i>Elhelyezési feltételek</i>	140
<i>Használati óvintézkedések</i>	140
<i>Biztonsági tudnivalók</i>	141
<i>Biztonság működés közben</i>	141
<i>Áramellátás</i>	142
<i>A szimbólumok használatának szabályai</i>	142
<b>Környezet</b>	<b>142</b>
<i>A csomagolás</i>	142
<i>Az elemek és az akkumulátorok</i>	142
<i>A termék</i>	143
<b>A szoftverhasználati engedély</b>	<b>143</b>
<i>Meghatározás</i>	143
<i>Licensz</i>	143
<i>Tulajdonjog</i>	143
<i>Időtartam</i>	143
<i>Garancia</i>	143
<i>Felelősség</i>	144
<i>Programfejlesztés</i>	144
<i>Betartandó törvények</i>	144
<i>Bejegyeztetett márkák</i>	144
<i>Tiltott másolatok</i>	144



# BIZTONSÁGI UTASÍTÁSOK

## Tisztelt vásárló!

E multifunkciós gép megvásárlásával, ön egy minőségi terméket választott. A gép egy modern irodatechnikai berendezés jellemzőivel bír.

A gép lehetővé teszi a színes szkennelést, a faxolást, valamint a fekete-fehér nyomtatást és másolást (**pagepro 1490MF**). A multifunkciós készüléket a számítógépéhez csatlakoztathatja (Microsoft Windows 2000/XP/Vista).

A multifunkciós készülék nyomtatási funkciójának használatához telepítse a szoftvert. Számítógépe segítségével szkennelhet is, valamint szerkeszthet és elmenthet dokumentumokat is. Vezeték nélküli számítógéppel való kapcsolathoz Wireless Local Area Network (WLAN) adapter áll rendelkezésére (választható kiegészítő).

A WLAN opció kizárólag eredeti adapterrel működik, melyet viszonteladójától vásárolhat meg.

### **pagepro 1490MF:**

A multifunkciós gép lehetővé teszi, hogy egy USB-DECT bázist csatlakoztasson az eszköz egyik USB-aljzatához, és DECT kézibeszélőket regisztráljon erre a bázisra. Ezt követően a multifunkciós gép telefonvonalát használva hívásokat kezdeményezhet és fogadhat a regisztrált DECT kézibeszélőkkel (vezeték nélküli normál telefonhasználat).

A beszédhangos kommunikáció kizárólag meghatározott USB DECT hardverkulccsal működik, melyet viszonteladójától vásárolhat meg.

Böngészőjének és a többfunkciós hozzáférésnek köszönhetően a gép egyszerre nagyteljesítményű, felhasználóbarát és egyszerűen kezelhető.

A MFP Laser multifunkciós gépek 600 dpi-s lapolvasóval és fekete-fehér, 20 oldal/perc nyomtatási sebességű lézernyomtatóval rendelkeznek. A szoftver segítségével a Companion Suite multifunkciós gépet számítógépéhez csatlakoztatott lapolvasóként és nyomtatóként is használhatja. A szoftver lehetővé teszi a multifunkciós terminál kezelését is.

## Biztonság

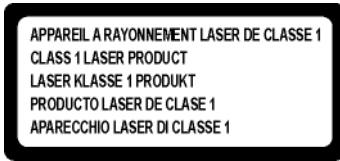
### ***Biztonsági utasítások***

Mielőtt a konnektorba csatlakoztatná a készüléket, győződjön meg róla, hogy a konnektor megfelel a készüléken lévő címke előírásainak (feszültség, áram, hálózati frekvencia). A készüléket egyfázisú áramkörre kell csatlakoztatni. A készüléket nem kell földelni.

Az elemek és akkumulátorok, a csomagolás, az elektromos és elektronikai (EEE) berendezések selejtezésére vonatkozó instrukciókat a kézikönyv KÖRNYEZET címu fejezetében találja meg.

Az eszköz modellje miatt az elektromos csatlakozás az egyetlen módja a készülék elektromos hálózatról való leválasztásának, ezért nagyon fontos alkalmazni a következő biztonsági intézkedéseket: az eszközt egy közeli elektromos aljzathoz kell csatlakozni. Fontos, hogy a konnektor legyen könnyen elérhető.

A készülék egy földelt csatlakozó kábellel van ellátva. A földelt csatlakozót egy fali konnektorhoz szükséges kapcsolni, amely rá van kötve az épület földelt hálózatára.



**Javítás/karbantartás:** Mindenfajta javítást és karbantartást szakemberrel végeztesen. A felhasználó semmilyen belső elemet nem javíthat. Az áramütés elkerülése végett bele se kezdjen ilyen jellegű műveletekbe, mivel a fedőelemek kinyitása és levétele kétszeres veszélyforrás.

- A lézer sugarak helyrehozhatatlan sérüléseket okozhatnak az emberi szemem.
- A feszültség alatt levő részekkel való érintkezés áramütést okozhat, amelynek nagyon súlyos következményei lehetnek.

## EMC

### Megjegyzés Észak-amerikai felhasználók számára

A készüléket tesztelték és az FCC-szabályzat 15. része értelmében megfelel a B osztályú digitális eszközökre vonatkozó előírásoknak. A korlátozások lakóterületi telepítéskor megbízható védelmet nyújtanak a káros interferenciával szemben.

A készülék rádiófrekvenciás energiát hoz létre, használ és sugároz. Ha a készüléket nem a gyártó útmutatásai alapján telepítik és használják, akkor káros interferenciát okozhat a rádiókommunikációban. Arra azonban nincs garancia, hogy egy adott telepítési helyzetben nem lép fel interferencia.

Ha a készülék káros interferenciát okoz a rádió- vagy televíziókészülék vételében, amelynek tényéről a készülék ki- és bekapcsolásával győződhethet meg, javasoljuk, hogy az interferencia megszüntetése érdekében a következő lépéseket hajtsa végre:

1. Forgassa el vagy helyezze át a vevőantennát.
2. Növelje a távolságot a készülék és a vevő között.
3. Csatlakoztassa a készüléket a vevőegységtől különböző hálózati aljzathoz.
4. Kérje a kereskedő vagy szakképzett szerelő segítségét.

### Megfelelőségi nyilatkozat

Ez a berendezés megfelel az FCC előírásai 15. szakaszának. Az üzemeltetésre az alábbi két feltétel érvényes:

1. Az eszköz nem okozhat káros zavarást, és
2. az eszköznek el kell fogadnia minden kapott zavarást, ideértve a nem kívánatos működést okozó zavarást is.

### EME megfelelés Kanada esetében

Ez a B-osztályú készülék megfelel az ICES-003 kanadai szabványnak.

Cet appareil numérique de la classe "B" est conforme à la norme NMB-003 du Canada.

### Lézerbiztonsági tudnivalók

**FIGYELEM:** Az olyan vezérlések, beállítások vagy más munkafolyamatok, amelyek nem szerepelnek ebben az útmutatóban, olyan eredménnyel járhatnak, mely során a felhasználót veszélyes fény érheti.

A berendezés megfelel a nemzetközi biztonsági szabványoknak, és 1. kategóriájú lézeres terméknek minősül.

Kifejezetten a lézerekre hivatkozva a berendezés megfelel a kormányzati, nemzeti és nemzetközi hivatalok által az 1. kategóriájú lézeres termékek teljesítményére vonatkozó szabványoknak. Nem bocsát ki káros fénysugarakat, a lézernyaláb a felhasználás és karbantartás során minden üzemi fázisban teljesen zárt térben marad.

## Európa/Ázsia

---

A készülék megfelel az IEC 60825-1:1993+A1:1997+A2:2001 szabvány követelményeinek. Class 1 besorolású lézeres berendezés és irodai/EDP használatra alkalmas. Egy db class 3B besorolású lézer diódát tartalmaz, 10,72 milliwatt maximum, 770-795 nm, valamint más class 1 besorolású LED világító diódákat (280 µW 639 nm-en).

A közvetlen (vagy visszavert közvetett) lézersugár a szem súlyos sérülését okozhatja. Biztonsági óvintézkedések és lezárási mechanizmusok biztosítják, hogy a készülék üzemeltetője ne kerülhessen összeköttetésbe lézersugárral.

## Észak-Amerika

---

CDHR követelmények

A készülék megfelel a lézertermékekre vonatkozó FDA (az Amerikai Egyesült Államok Élelmiszer- és Gyógyszerügyi Hatósága) teljesítményszabványok követelményeinek, kivéve a 2007 június 24.-i 50-es számú Lézerközleményben foglalt kivételeket. Egy db class 3B besorolású lézerdiódát tartalmaz, 10.72 milliwatt, 770-795 nanométer hullámhossz, valamint más class 1 besorolású LED világító diódákat (280 µW 639 nm-en).

A készülék nem bocsát ki veszélyes fénysugarakat, mivel azok a használat és a karbantartás során is teljesen körbe vannak zárva.

## Jogszabályi információ

---

### Európai tanúsítások

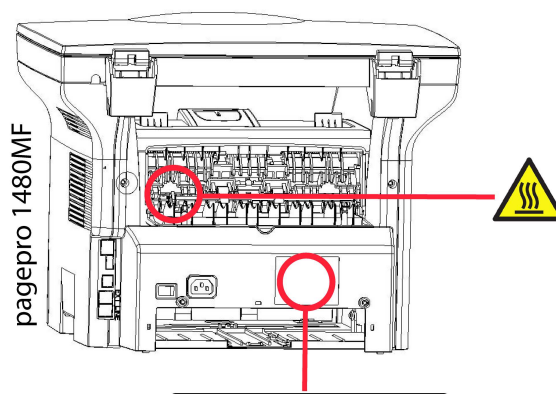
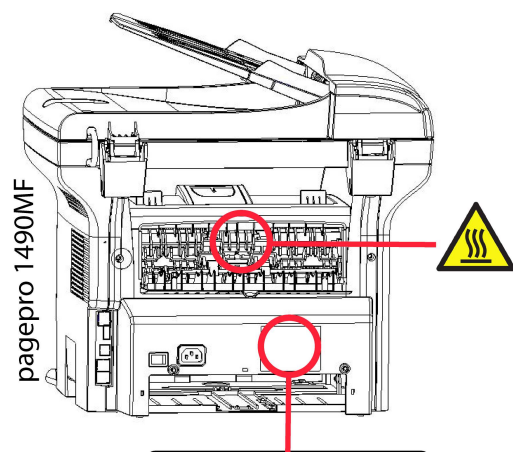
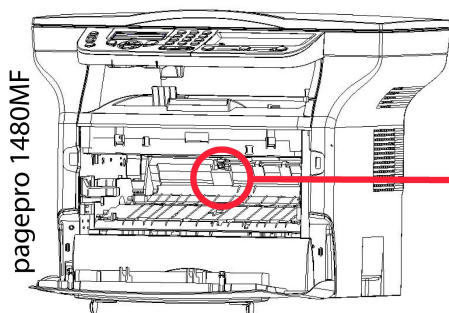
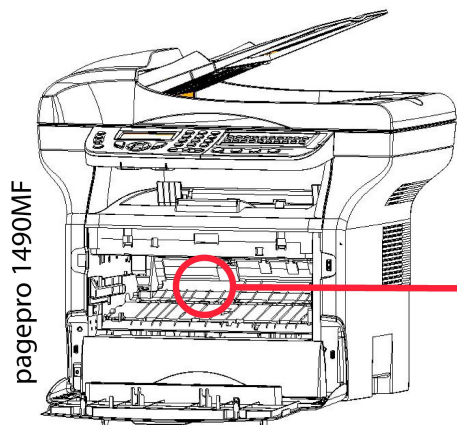
---

**CE** A terméken elhelyezett CE jelölés tanúsítja megfelelőségi nyilatkozatát a következő irányadó európai uniós irányelvek esetében a feltüntetett dátumok szerint:

- 2006. december 12.:** A módosított 2006/95/EK tanácsi irányelv. A kiefeszültségű berendezésekre vonatkozó tagállami jogszabályok összehangolásáról.
- 15.12.2004** A módosított 2004/108/EK tanácsi irányelv. Az elektromágneses összeférhetőségre vonatkozó tagállami jogszabályok összehangolásáról.
- 1999. március 9.** A Tanács 99/5/EK irányelve a rádióberendezésekről és a távközlési végberendezésekről, valamint megfelelőségük kölcsönös elismeréséről.

## Biztonsági címkék helye a gépen

Biztonsági megfontolásból a címkék az alábbi helyeken található meg a készüléken. Biztonsága érdekében ne érintkezzen ezekkel a felületekkel papír torlódáskor a hiba elhárításakor vagy a toner kazetta cseréjekor.





APPAREIL A RAYONNEMENT LASER DE CLASSE 1  
CLASS 1 LASER PRODUCT  
LASER KLASSE 1 PRODUKT  
PRODUCTO LASER DE CLASSE 1  
APARECCHIO LASER DI CLASSE 1

APPAREIL A RAYONNEMENT LASER DE CLASSE 1  
CLASS 1 LASER PRODUCT  
LASER KLASSE 1 PRODUKT  
PRODUCTO LASER DE CLASSE 1  
APARECCHIO LASER DI CLASSE 1

	 
<b>CAUTION</b>	Hot surface avoid contact
<b>ATTENTION</b>	Surface chaude Évitez tout contact
<b>ACHTUNG</b>	Heiße Oberfläche Kontakt vermeiden
<b>ATTENZIONE</b>	Superficie calda Evitare il contatto
<b>PRECAUCIÓN</b>	No tocar. Zona muy caliente.
<b>VOORZICHTIG</b>	Heet oppervlak vermijd contact
<b>FÖRSIKTIGT</b>	Het yta. Rör ej.
<b>FORSIGTIG</b>	Varm overflade, undgå berøring
<b>FORSIKTIG</b>	Varm overflade, unngå kontakt
<b>OSTRZEŻENIE</b>	Gorąca powierzchnia nie dotykac
<b>CUIDADO</b>	Superficie quente Evitar contacto
<b>POZOR</b>	Horký povrch nedotýkat se
<b>FIGYELEM</b>	Ne érintse meg a forró felületeket!
<b>TÄRKEÄÄ</b>	Kuuma pinta älä koske.
<b>ОСТОЖИХО</b>	Горячая поверхность Избегайте контакта
<b>注意</b>	表面高温, 请勿接触。
<b>注意</b>	表面高温請勿碰觸
<b>고온주의</b>	표면이 뜨거우므로 만지지 않도록 주의하십시오.
<b>注意</b>	表面が熱くなっていますので触らないでください。

## Feszültségmegszakító jelzések

Az IEC 60417 normának megfelelően, a készülék a következő feszültségmegszakító jelzéseket alkalmazza :

-  jelenti a tápfeszültség bekapcsolását.
-  jelenti a tápfeszültség kikapcsolását.

# Beszereelés

## Elhelyezési feltételek

Az optimális elhelyezéssel biztosíthatja a terminál élettartamát. Ellenőrizze, hogy a választott elhelyezkedés rendelkezik az alábbi tulajdonságokkal :

- Válasszon jól szellőző helyet.
- Győződjön meg róla, hogy hőt sugárzó gép nincs sem a berendezés bal, sem a jobb oldalán. Telepítéskor ellenőrizze, hogy a terminál minden más eszköztől legalább harminc centiméterrel helyezkedik el, annak érdekében, hogy könnyű legyen a fedelek felnyitása.
- Ellenőrizze, hogy a berendezést nem fenyegeti-e szalmiákszeszes kibocsátás vagy más szerves gáz.
- A földelt áramforrás (olvassa el az ide vonatkozó biztonsági utasításokat a **Biztonság** című fejezetben Biztonság), melyhez a terminált csatlakoztatni szeretné a berendezéshez közel kell eszen, könnyen elérhető kell legyen.
- **Bizonyosodjon meg arról, hogy a terminál nincs kitéve közvetlen napsugárzásnak.**
- Ne helyezze el a berendezést olyan helyen, mely ki van téve légkondicionáló berendezés következtében fellépő légáramlatnak, forróságnak vagy ventilációnak, valamint kerülje az olyan tárgyak közelségét, melyek nagy hőt vagy párákat sugároznak.
- Válasszon egyenes és vízszintes felületet, melyen a berendezés nem lesz kitéve nagy rezgésnek.
- **Ugyanakkor ne helyezze a készüléket a földre sem (olvassa el a biztonsági utasításokat a következő fejezetben Biztonság).**
- Ne helyezze a készüléket olyan tárgy közelébe, mely elzárja a légmozgás útját.
- Ne helyezze a terminált falikárpit vagy más gyúlékony tárgy közelébe.
- Válasszon olyan helyet, ahol a víz és más folyékony anyagok nem veszélyeztetik a készüléket.

## Használati óvintézkedések

Vegye figyelembe a fontos óvintézkedéseket a terminált működtetésekor.

### Környezet:

- Hőmérséklet: 10 – 27 °C [50 °F – 80,6 °F] 15 és 80% közötti környezeti páratartalom mellett (legfeljebb 32°C [89,6 °F] 15 és 54% közötti környezeti páratartalom mellett).

### Terminál:

Az alábbi óvintézkedéseket be kell tartani a terminál használatakor :

- Nyomtatás közben, ne húzza ki a terminált a konnektorból és soha ne nyissa ki a fedeleket sem.
- A készülék közelében soha ne használjon gázt vagy gyúlékony anyagokat, illetve olyan tárgyakat, melyek mágneses mezőt indukálhatnak.
- Amikor kihúzza a kábelt a konnektorból, mindig vigyázzon arra, hogy ne húzza ki a konnektort a falból. A sérült kábel potenciálisan magában hordozza a tűz és áramütés veszélyét.
- Soha ne érintse meg nedves kézzel a kábelt. Áramütés kockázata áll fenn.
- Mielőtt áthelyezné a készüléket, mindig húzza azt ki a konnektorból. Máskülönben fennáll a kábel sérülésének kockázata, mely tűz és áramütés veszélyét hordozza magában.
- Akkor húzza ki a készüléket a konnektorból, amikor hosszabb ideig nem szándékozik azt használni.
- Soha ne tegyen tárgyakat a kábelre, ne tegye semmi fölé és hajtogassa. Ezek tűz és áramütés veszélyét hordozzák magukban.
- Ellenőrizze, hogy a készülék ne legyen sem a saját kábelére, sem más elektromos eszköz kommunikációs kábelére helyezve. Ellenőrizze, hogy a terminálhoz semmilyen más kábel nem csatlakozik. Ezek a terminál rossz működéséhez vagy tűzhez vezethetnek.
- Győződjön meg arról, hogy a nyomtató nincs feszültség alatt, mikor bedug vagy kihúz egy interfész kábelt belőle (leáryékolt interfész kábelt használjon).
- Soha ne próbáljon meg felnyitni a panelt vagy fix fedelet. A terminál magasfeszültségű áramköröket tartalmaz. Az áramkörökkel való érintkezés áramütéshez vezethet.
- Soha ne próbálja meg módosítani a terminált. Ezek tűz és áramütés veszélyét hordozzák magukban.

- Vigyázzon, hogy gémkapocs, iratkapocs vagy más kicsi fém eszköz ne kerüljön a terminálba a szellőző lyukakon vagy más réseken keresztül. Ezek a tárgyak tüzet és áramütést okozhatnak.
- Kerülje a terminál vízzel vagy más folyékony anyaggal való érintkezését. Az ezekkel való érintkezés tüzet és áramütést okozhatnak.
- Ha véletlenül folyadék vagy fém eszköz kerül a terminálba, azonnal kapcsolja le a feszültségről, húzza ki a készüléket a konnektorból és vegye fel a kapcsolatot az eladóval. Ellenkezo esetben tuz és áramütés veszélye áll fenn.
- Ha a készülék forróságot, füstöt, szokatlan szagokat vagy nem normális zajokat bocsát ki, kapcsolja le a készüléket a feszültségről, húzza ki a konnektorból azonnal, majd vegye fel a kapcsolatot az eladóval. Ellenkezo esetben tuz és áramütés veszélye áll fenn.
- Elektromos viharh esetén kerülje a készülék használatát, mert villámcsapás következtében áramütés veszélye áll fenn.
- Ne helyezze át a készüléket nyomtatás közben.
- Emelje fel a készüléket, ha át akarja helyezni.



Győződjön meg arról, hogy a választott hely száraz, tiszta és pormentes. Helyezze jól szellőző helyre a terminált. A nyomtatási funkció kis mennyiségű ózón gázt generál. Intenzív működés közben a nyomtató kellemetlen szagot áraszt, mely rossz szellőzésű helyen érezhető. Biztos használathoz, helyezze a terminált jól szellőztethető helyre.

## Biztonsági tudnivalók

A termék használatakor be kell tartani az alábbi biztonsági óvintézkedéseket.

### Biztonság működés közben

Az alábbi ábrákat használjuk ezen a tájékoztató lapon:

<b>FIGYELMEZTETÉS:</b>	<b>Potenciálisan veszélyes helyzetet jelez, amely az utasítások figyelmen kívül hagyása esetén halált vagy súlyos sérülést okozhat.</b>
<b>VESZÉLY:</b>	Potenciálisan veszélyes helyzetet jelez, amely az utasítások figyelmen kívül hagyása esetén kisebb vagy közepes mértékű sérülést vagy anyagi kárt okozhat.



### FIGYELMEZTETÉS

- Csatlakoztassa az elektromos vezetékét közvetlenül egy fali aljzathoz, és soha ne használjon hosszabbítót.
- Húzza ki a tápdugaszt (a dugaszt fogva, nem a kábelt), ha a tápkábel kiszakad vagy bármilyen módon megsérül.
- A veszélyes áramütés vagy a lézersugárzással való érintkezés elkerülése érdekében csak a használati utasításban megadott burkolatokat és csavarokat távolítsa el.
- Ha az alábbi állapotok bármelyike fennáll, kapcsolja ki az áramellátás, és húzza ki az elektromos dugót (a dugónál és nem a vezetéknél fogva):
  - Ráöntött valamit a termékre.
  - Azt gyanítja, hogy a terméknek szervizelésre vagy javításra van szüksége.
  - A termék burkolata megsérült.
- Ne dobja tűzbe a kiömlött vagy használt tonert. A festékpó berobbanhat, ha nyílt láng éri.
- Az ártalmatlanítás a hivatalos forgalmazónál vagy megfelelő gyűjtőhelyen történhet.
- A használt tonerkazettát (vagy palackot) a helyi előírásokkal összhangban ártalmatlanítsa.



### VIGYÁZAT

- Védje a terméket a nedvességtől vagy a nedves időjárástól, például esőtől, hótól és így tovább.
- A termék áthelyezése előtt húzza ki az elektromos vezetékét a fali aljzathoz. A termék mozgatása közben vigyázzon, nehogy az elektromos vezeték megsérüljön a termék alatt.

- Amikor kihúzza a hálózati kábelt a fali aljzatból, mindig a villásdugót húzza (ne a kábelt).
- Ne hagyja, hogy gemkapcsok, tűzőkapcsok vagy más kisebb fémtárgyak a termékbe essenek.
- Tartsa kisgyermekektől távol a (használt vagy új) tonert, a tonerkazettát (vagy palackot), a (használt vagy új) festéket vagy festékpátront.
- Vigyázzon, nehogy megvágja saját magát valamilyen éles széllel, amikor a termékbe nyúl, hogy eltávolítsa az elakadt másolatokat vagy eredetiket.
- Környezetvédelmi okokból ne tegye a terméket vagy a fogyóeszközök hulladékát háztartási hulladékgyűjtő helyre. Az ártalmatlanítás a hivatalos forgalmazónál vagy megfelelő gyűjtőhelyen történhet.
- A termékeinket úgy terveztük, hogy azok megfeleljenek a minőséggel és funkcionalitással kapcsolatos legmagasabb szintű elvárásoknak, és azt ajánljuk, hogy csak a hivatalos forgalmazónál kapható fogyóeszközöket használja.

## Áramellátás

Az aljzatnak a termék közelében kell lennie, könnyen elérhető helyen.

## A szimbólumok használatának szabályai



### FIGYELMEZTETÉS

Fontos biztonsági megjegyzéseket jelöl.

Ezen megjegyzések figyelmen kívül hagyása súlyos sérüléshez vagy halálhoz vezethet. Feltétlenül olvassa el ezeket a megjegyzéseket. Ezek a kézikönyv Biztonsági tudnivalók című részében találhatóak.



### VIGYÁZAT

Fontos biztonsági megjegyzéseket jelöl.

Ezen megjegyzések figyelmen kívül hagyása kevésbé súlyos vagy közepes sérüléseket okozhat, vagy a készülék és egyéb vagyontárgyak károsodását eredményezheti. Feltétlenül olvassa el ezeket a megjegyzéseket. Ezek a kézikönyv Biztonsági tudnivalók című részében találhatóak.

# Környezet

A környezet megóvása a gyártó alapvető fontosságú célja. A gyártó célja a környezettudatosság kiterjesztése, így nagy figyelmet fordít a környezet megóvására termékei életciklusának teljes ideje alatt, kezdve a gyártástól a felhasználásig és a kiselejtezésig.

## A csomagolás



A logó jelenléte (zöld pont) jelzi, hogy az újrafeldolozási infrastruktúra és a csomagolások újrafelhasználását javítandó a gyártó a bejegyzett nemzeti szervezet felé adót folyósított.

Az újrafelhasználást megkönnyítendő, vegye figyelembe az ilyen típusú hulladék kezelésére vonatkozó helyi szabályozást.

## Az elemek és az akkumulátorok

Ha az ön által választott termék elemmel vagy akkumulátorral működik, az ebből származó hulladék lerakása a feltüntetett gyűjtőpontokon lehetséges.

## A termék



A terméken megtalálja a megfelelő szemetesláda jelzését, mely feltünteti, hogy a készülék elektromos vagy elektronikai berendezés.

Ezen a címen, az európai követelmények megszabják ezek szelektív begyűjtését:

- Árusítóhelyeken hasonló termék vásárlása esetén.
- A helyi gyűjtőtelepeken (hulladéktelep, szelektív gyűjtés, stb.)

Ilyen módon hozzájárulhat az Elektromos és Elektronikai Berendezések Hulladékának újrafelhasználásához és értékesítéséhez, amelynek potenciális hatásai lehetnek a környezetre és az emberi egészségre.

# A szoftverhasználati engedély

OLVASSA EL FIGYELMESEN A JELEN LICENSZSZERZŐDÉS MINDEN PONTJÁT ÉS FELTÉTELÉT MIELŐTT KINYITNÁ A SZOFTVERT TARTALMAZÓ BORITÉKOT. A BORITÉK FELBONTÁSA A FELSOROLTAK ELFOGADÁSÁT JELENTI.

Abban az esetben, ha Ön nem fogadja el a licenzszerződés feltételeit, szolgáltatassa vissza felbontatlanul a DVD-ROM-ot és minden más tartozékot az eladónak. Az ön által fizetett vásárlási árat visszakapja. A vásárlási ár visszafizetése nem lehetséges, ha a DVD-ROM csomagolása fel van bontva, ha hiányoznak tartozékok vagy ha a visszafizetési kérelem a vásárlás utáni 10. nap lejárta után történik, melyet a vásárlás blokkjával igazolhat.

## Meghatározás

A szoftver megmutatja a programokat és a hozzátartozó dokumentációt.

## Licenz

- Ez az engedély lehetővé teszi a szoftver használatát személyi számítógépeken, melyek helyi hálózathoz csatlakoznak. A szoftvert csak egy többfunkciós terminálhoz használhatja, a szoftvert haramdik félnek felhasználás céljából nem adhatja.
- Egy biztonsági másolat készítése engedélyezett.
- A liszensz nem átruházható.

## Tulajdonjog

A gyártó vagy partnerei a szoftver kizárólagos tulajdonosai. A vásárló csak a DVD-ROM tulajdonosa. A felhasználó a szoftvert és a dokumentációt nem módosíthatja, nem adaptálhatja, nem fordíthatja, anyagát nem használhatja fel, nem adhatja bérbe és nem adhatja el. Minden jog a gyártót és partnereit illeti meg.

## Idotartam

Az engedély annak felmondásáig érvényes. Az engedélyezési szerződés megszunik, ha a vásárló tönkreteszi a programot és a dokumentációt, valamint annak minden másolatát. Jelen engedély automatikusan megszunik abban az esetben, ha az engedély pontjait a vevo megszegi. A licenzszerződés megszunése esetén a program és a dokumentáció minden másolatának megsemmisítése kötelezo.

## Garancia

A szoftver mindenféle garancia nélküli: sem kifejezett, sem implicit szavatosság nem vonatkozik rá. Nem korlátozott, nem vonatkozik rá kereskedelmi adaptáció-garancia, sem különleges felhasználási alkalmassági garancia.

Ennek ellenére a licencbirtokos a következő jótállásra jogosult: jótállást vállalunk azért, hogy a szoftvert tartalmazó DVD-ROM normál használat mellett mentes a hardver- és gyártási hibáktól; a jótállás az átadás napjától számított kilencven (90) napig érvényes, és a számla másolata számít vásárlási bizonylatnak. A szoftver vásárlójára a következő garancia vonatkozik: a DVD-ROM, amelyen a szoftver található garanciális, amennyiben nem anyaghibás, illetve a használata az utasításoknak megfelelo volt.



## Felelősség

---

Ha a DVD-ROM helytelen használat miatt romlik el, akkor a szavatosság ideje alatt sem lesz kicserélve. Felelőség A forgalmazó egyedüli felelősége és a vásárló egyedüli fellebezési lehetősége az elismervény másolatával együtt visszaküldött hibás DVD-ROM kicserélése. Sem a gyártó, sem aki hozzájárult a szoftver elkészítéséhez, eladásához vagy leszállításához nem lehet felelos a közvetlen vagy közvetett károkért vagy egyéb nemü károk, a program nem megfelelo használata és a felhasználó alkalmatlansága miatt, mint adatok elvesztése, idovesztesség, felhasználási jog elvesztése, haszonvesztesség, kliensek elvesztése.

## Programfejlesztés

---

A haladás iránti érdeklődés által, a gyártó fenntartja magának a szoftver figyelmeztetés nélküli átalakításának jogát. A fejlődés esetében, a vevo felhasználási joga nem biztosítja az új program ingyen használatát is.

## Betartandó törvények

---

Ez a licenz a francia törvények által van fenntartva. Minden peres ügy amely a szoftver használatából ered a Párizsi Biróságon tárgyalandó.

A technika folyamatos fejlődése miatt, a gyártó fenntartja magának a termék meglévő technikai tulajdonságainak változtatásának jogát, mindenkor, előzetes figyelmeztetés nélkül és/vagy a termék gyártásának beszüntetése nélkül. Minden termék megnevezése és márkája amely be van jegyeztetve birtokosa által el van ismerve.

## Bejegyeztetett márkák

---

A technika folyamatos fejlődése miatt, a gyártó fenntartja magának ezen termék technikai tulajdonságainak változtatásának jogát, mindenkor, előzetes figyelmeztetés nélkül és/vagy a termék gyártásának beszüntetését. A Companion Suite Pro a Sagem Communications által bejegyeztetett márka.

Az Adobe® és az említett Adobe® termékek az Adobe Systems Incorporated által bejegyeztetett márkák.

PaperPort11SE a ScanSoft által bejegyeztetett termék.

A Microsoft® Windows 2000®, a Microsoft® Windows Server 2003®, a Microsoft® Windows XP®, a Microsoft® Windows Vista® és a jelen dokumentumban hivatkozott minden más Microsoft® termék a Microsoft Corporation Egyesült Államokban és/vagy más országokban bejegyzett és/vagy használt védjegye.

Minden más példaként említett márka vagy termék megnevezése birtoklóik által be van jegyeztetve.

A használati utasításban szereplő információk előzetes figyelmeztetés nélkül megváltoztathatók.

## Tiltott másolatok

---

Soha ne másoljon vagy nyomtasson olyan dokumentumot, melynek reprodukcióját törvény tiltja.

A következő dokumentumok nyomtatását vagy másolását általánosan tiltja a törvény:

- bankjegy,
- csekk,
- kötvény,
- betéti bizonylat,
- államköölcsön,
- útlevél,
- vezetői engedély.

A fenti lista nem teljes, csupán példákat tartalmaz. Amennyiben egyes dokumentumok másolásának vagy nyomtatásának legalitását illetően kérdései vannak, forduljon jogi szakemberhez.

<b>DYREKTYWY BEZPIECZEŃSTWA</b>	<b>146</b>
<b>Szanowny Kliencie</b>	<b>146</b>
<b>Bezpieczeństwo</b>	<b>146</b>
Dyrektywy bezpieczeństwa	146
EMC	147
Uwaga do użytkowników w USA	147
Deklaracja zgodności	147
Zgodność EME dla Kanady	147
Informacje dotyczące bezpieczeństwa laserowego	147
Europa/Azja	148
Ameryka Północna	148
Informacja regulująca	148
Certyfikaty w Europie	148
Lokalizacja etykiet ostrzegawczych na urządzeniu	149
Symbole na wyłączniku zasilania	149
<b>Instalacja</b>	<b>150</b>
Warunki umiejscowienia	150
Zalecane środki ostrożności	150
Informacje dotyczące bezpieczeństwa	151
Bezpieczeństwo podczas obsługi urządzenia	151
Zasilanie	152
Zasady korzystania z symboli	152
<b>Środowisko</b>	<b>152</b>
Opakowanie	152
Baterie i akumulatory	152
Produkt	153
<b>Licencja oprogramowania</b>	<b>153</b>
Definicja	153
Licencja	153
Własność	153
Czas trwania	153
Gwarancja	153
Odpowiedzialność	154
Rozwój	154
Zastosowane prawo	154
Zastrzeżone znaki towarowe	154
Zakaz kopiowania	154

# DYREKTYWY BEZPIECZEŃSTWA

## Szanowny Kliencie

Decydując się za zakup tego urządzenia wielofunkcyjnego wybrali Państwo wysokiej jakości produkt. To urządzenie spełnia wszystkie potrzeby nowoczesnego biura.

Urządzenie skanuje w kolorze, przesyła fakсы, drukuje i kopiuje na czarno-biało (**pagepro 1490MF**). Urządzenie wielofunkcyjne można podłączyć do komputera (Microsoft Windows 2000/XP/Vista).

W celu wykorzystania urządzenia wielofunkcyjnego jako drukarki należy zainstalować dostarczone oprogramowanie. Ponadto można używać urządzenia do skanowania, edycji i zapisywania dokumentów przy wykorzystaniu komputera PC. Komunikacja z komputerem jest możliwa poprzez bezprzewodowy adapter WLAN (wyposażenie dodatkowe

Sieć WLAN jest dostępna opcjonalnie po zakupie oryginalnego adaptera WLAN, dostępnego u sprzedawcy.

### **pagepro 1490MF:**

Urządzenie wielofunkcyjne pozwala na podłączenie bazy USB-DECT do jednego z portów USB urządzenia i zarejestrowanie zestawów słuchawkowych DECT do tej bazy. Po zarejestrowaniu zestawu słuchawkowego DECT możesz wykonywać i odbierać połączenia korzystając z linii telefonicznej urządzenia wielofunkcyjnego (standardowy telefon bezprzewodowy).

Komunikacja głosowa jest funkcją opcjonalną i można ją włączyć tylko z określonym kluczem sprzętowym USB DECT, który można zakupić u przedstawiciela.

Dzięki nawigacji i wielozadaniowym dostępie to urządzenie oferuje wiele możliwości, jest łatwe w obsłudze i użytkowaniu.

Urządzenia wielofunkcyjne MFP Laser posiadają wbudowany skaner oraz monochromatyczną drukarkę laserową o szybkości wydruku 20 stron na minutę. Oprogramowanie Companion Suite Pro pozwala na używanie urządzenia z komputerem PC jako skanera i drukarki. Pozwala także na łatwe zarządzanie urządzeniem wielofunkcyjnym.

## Bezpieczeństwo

### ***Dyrektywy bezpieczeństwa***

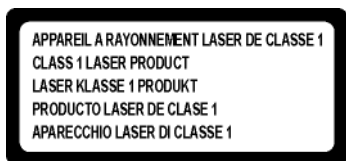
---

Przed podłączeniem urządzenia do zasilania należy upewnić się że gniazdko zasilające spełnia wymagania opisane na etykiecie informacyjnej umieszczonej na urządzeniu (napięcie, natężenie, częstotliwość). Urządzenie powinno być podłączone do jednofazowej sieci zasilania. Urządzenie nie powinno być ustawiane na gołej ziemi.

Baterie i akumulatory, opakowania i urządzenia elektryczne oraz elektroniczne powinny być wyrzucane zgodnie z opisem zawartym w części ŚRODOWISKO niniejszej instrukcji.

Ponieważ złącze zasilania jest jedynym sposobem na odłączenie urządzenia od sieci zasilającej, z tego względu ważne jest przestrzeganie poniższych środków dotyczących bezpieczeństwa: urządzenie należy podłączyć do gniazdka zasilania znajdującego się w jego pobliżu. Należy zapewnić łatwy dostęp do gniazdka.

Urządzenie jest dostarczane z przewodem zasilającym wyposażonym we wtyk uziemiający. Ważne jest aby urządzenie było podłączone do gniazdka z bolcem uziemiającym podłączonym do sieci ochronnej budynku.



**Naprawy-konserwacja:** Do przeprowadzania napraw i konserwacji niezbędny jest wykwalifikowany specjalista. Żadna część wewnętrzna nie powinna być naprawiana przez użytkownika. Aby zapobiec porażeniu prądem elektrycznym użytkownik nie powinien wykonywać poniższych czynności. W przypadku otwarcia lub usunięcia pokryw może nastąpić ryzyko:

- Narażenie oka na działanie promieniowania laserowego może spowodować nieodwracalne uszkodzenia.
- Kontakt z częściami urządzenia znajdującymi się pod napięciem może spowodować porażenie prądem elektrycznym.

## EMC

### Uwaga do użytkowników w USA

To urządzenie zostało przetestowane i uznane za zgodne z limitami dotyczącymi urządzenia cyfrowego klasy B według części 15 przepisów FCC. Limity te mają zapewnić uzasadnioną ochronę przed szkodliwymi zakłóceniami w instalacji domowej.

To urządzenie wytwarza, wykorzystuje i może promieniować energię o częstotliwości radiowej, a jeżeli nie zostanie zainstalowane i nie będzie używane zgodnie z instrukcjami, może powodować szkodliwe zakłócenia łączności radiowej. Nie ma jednak gwarancji, że w konkretnej instalacji zakłócenia nie wystąpią.

Jeżeli to urządzenie rzeczywiście powoduje szkodliwe zakłócenia w odbiorze sygnału radiowego lub telewizyjnego, co można ustalić przez wyłączenie i włączenie urządzenia, warto podjąć próbę wyeliminowania tych zakłóceń przez wykonanie jednej z poniższych czynności:

1. zmiana orientacji lub miejsca położenia anteny odbiorczej;
2. lepsze odseparowanie urządzenia i odbiornika;
3. podłączenie urządzenia do gniazdka znajdującego się w obwodzie innym niż ten, do którego podłączony jest odbiornik;
4. skontaktowanie się ze sprzedawcą lub doświadczonym technikiem RTV w celu uzyskania pomocy.

### Deklaracja zgodności

To urządzenie jest zgodne z punktem 15 przepisów FCC. Korzystanie z urządzenia jest dopuszczalne pod dwoma warunkami:

1. urządzenie nie może powodować niebezpiecznych zakłóceń,
2. urządzenie musi być odporne na zakłócenia, łącznie z takimi, które mogą powodować niepożądane działanie.

### Zgodność EME dla Kanady

To urządzenie cyfrowe klasy "B" jest zgodne z Canadian ICES-003.

Cet appareil numérique de la classe "B" est conforme à la norme NMB-003 du Canada.

### Informacje dotyczące bezpieczeństwa laserowego

**PRZESTROGA:** Korzystanie z elementów sterowania, regulacji lub wykonywanie procedur innych niż określone w niniejszej instrukcji może doprowadzić do wystawienia na niebezpieczne promieniowanie.

To urządzenie jest zgodne z międzynarodowymi normami dotyczącymi bezpieczeństwa i zostało zaklasyfikowane do produktów laserowych klasy 1.

Urządzenie jest zgodne z normami wydajnościowymi dotyczącymi produktów laserowych zakwalifikowane przez rząd, narodowe i międzynarodowe agencje jako produkt laserowy klasy 1. Urządzenie nie emituje niebezpiecznego promieniowania, ponieważ wiązka jest całkowicie zabezpieczona podczas wszystkich faz operacji i konserwacji prowadzonych przez użytkownika.

## Europa/Azja

---

Urządzenie to spełnia wymogi normy IEC 60825-1:1993+A1:1997+A2:2001, jest uznane za produkt laserowy klasy 1 i jest bezpieczne w zastosowaniach biurowych/związanych z przetwarzaniem danych elektronicznych. Zawiera ono diodę laserową 3B o mocy maksymalnej 10,72 mW i długości fali 770-795 nm oraz inne diody klasy 1 (280 µW przy długości fali 639 nm).

Kontakt oka z wiązką lasera — bezpośredni lub pośredni w wyniku odbicia — może spowodować poważne uszkodzenia wzroku. Aby zapobiec narażeniu użytkownika na działanie wiązki lasera, opracowano środki ostrożności i mechanizmy blokujące.

## Ameryka Północna

---

Przepisy CDRH

Sprzęt ten spełnia wymogi norm wydajności amerykańskiej Agencji ds. żywności i leków (FDA) dot. produktów laserowych z wyjątkiem odchyień zgodnie z Informacją o urządzeniu laserowym Nr 50 z dnia 24 czerwca 2007 roku, zawiera on także diodę laserową 3B klasy 1 o mocy 10,72 mW, długości fali 770-795 nm oraz inne diody klasy 1 (280 µW przy długości fali 639 nm).

Urządzenie nie emituje niebezpiecznego światła, ponieważ wiązka jest całkowicie osłonięta we wszystkich trybach eksploatacji i konserwacji.

## Informacja regulująca

---

### Certyfikaty w Europie

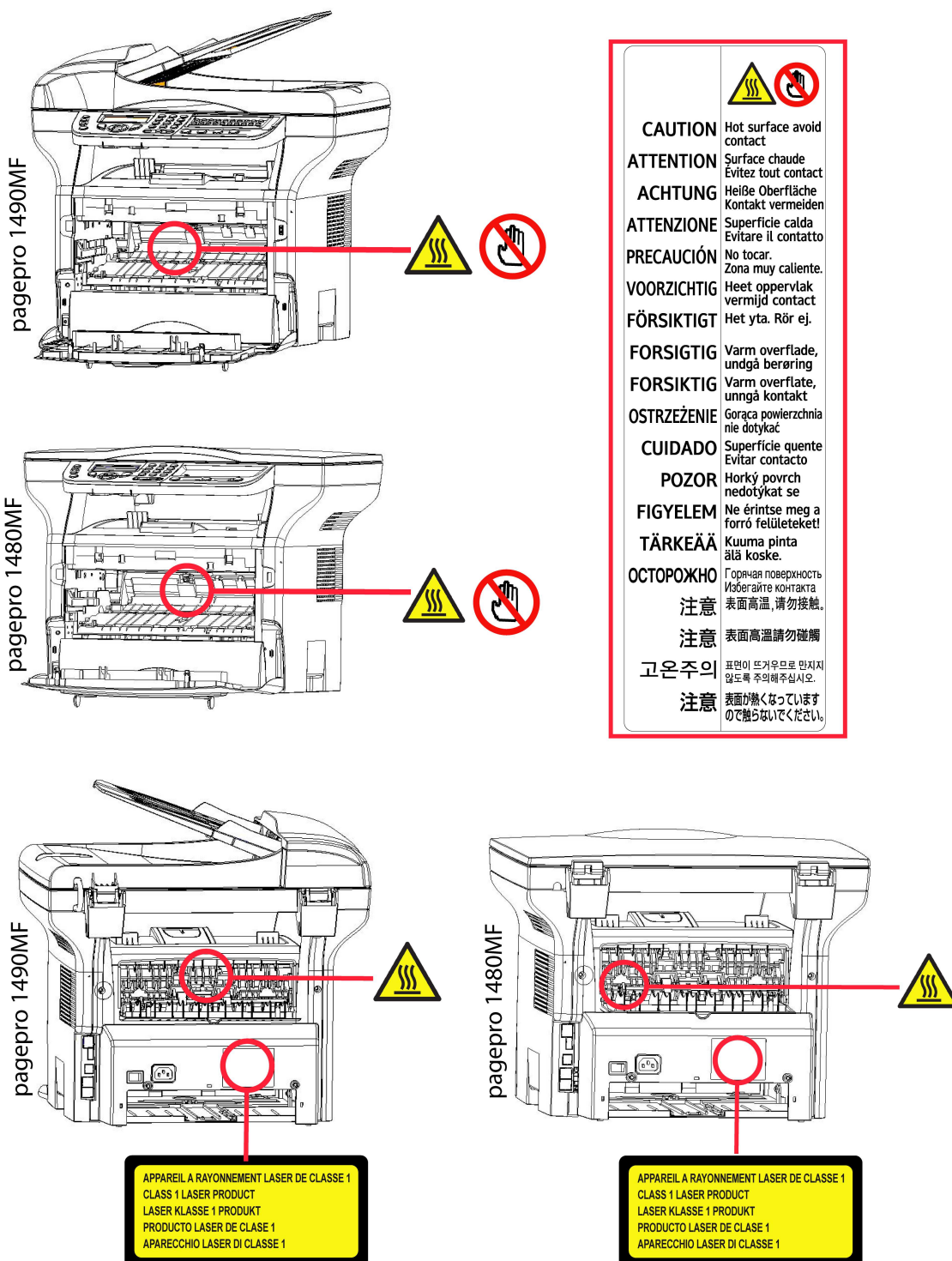
---

Oznaczenie CE stosowane na tym produkcie, symbolizuje deklarację zgodności z poniższymi dyrektywami Unii Europejskiej, zgodnie z wskazanymi datami:

- 12 grudnia 2006:** Dyrektywa Rady 2006/95/EC z poprawkami. Prawo państw członkowskich związane z urządzeniami niskiego napięcia.
- 15 grudnia 2004:** Dyrektywa Rady 2004/108/EC z poprawkami. Prawo państw członkowskich związane ze zgodnością elektromagnetyczną.
- 9 marca 1999:** Dyrektywa Rady 99/5/EC dotycząca urządzeń radiowych i telekomunikacyjnych oraz wzajemnego uznania zgodności.



## Lokalizacja etykiet ostrzegawczych na urządzeniu

Ze względów bezpieczeństwa, na urządzeniu w miejscach wskazanych poniżej umieszczono etykiety ostrzegawcze. Ze względów bezpieczeństwa nie należy dotykać tych powierzchni w czasie usuwania zablokowanego papieru lub wymiany tonera.



## Symbole na wyłączniku zasilania

Zgodnie z normą IEC 60417, urządzenie jest wyposażone w następujące symbole na wyłączniku zasilania :

-  oznacza WŁĄCZENIE.
-  oznacza WYŁĄCZENIE.

# Instalacja

## Warunki umiejscowienia

---

Wybór odpowiedniego miejsca zapewnia bezawaryjną pracę urządzenia. Odpowiednie miejsce powinno posiadać następujące cechy:

- Pomieszczenie powinno być dobrze wentylowane.
- Upewnij się, że wloty powietrza umieszczone po obu bokach urządzenia nie są zakryte. Urządzenie powinno mieć po 30 cm wolnego miejsca od każdego obiektu w celu zapewnienia łatwego dostępu do pokryw.
- Upewnij się, że w miejscu instalacji nie występuje emisja amoniaku, ani innych gazów organicznych.
- Uziemione gniazdo zasilające (sprawdź uwagi o bezpieczeństwie w rozdziale Bezpieczeństwo) powinno być umieszczone blisko urządzenia i powinno zapewniać łatwy dostęp.
- **Sprawdź, czy urządzenie nie jest wystawione na działanie bezpośrednich promieni słonecznych.**
- Sprawdź, czy urządzenie nie znajduje się na drodze strumienia powietrza wytwarzanego przez klimatyzację, ogrzewanie lub system wentylacji i nie znajduje się w obszarze, w którym występują duże różnice temperatur oraz wilgotności.
- Wybierz solidną i poziomą powierzchnię, miejsce w którym urządzenie nie będzie wystawione intensywne drgania.
- **W pobliżu urządzenia nie powinny znajdować się przedmioty, które mogłyby zasłaniać jego otwory wentylacyjne.**
- Nie umieszczaj urządzenia w pobliżu zasłon lub innych łatwopalnych przedmiotów.
- Wybierz lokalizację, gdzie nie występują rozbryzgi wody lub innych płynów.
- Sprawdź, czy miejsce jest suche, czyste i wolne od kurzu.

## Zalecane środki ostrożności

---

Przy użytkowaniu urządzenia należy wziąć pod uwagę następujące środki ostrożności.

Ośrodek użytkowania:

- Temperatura: 10 °C do 27 °C [50 °F do 80,6 °F] z wilgotnością pomiędzy 15 do 80% (do 32°C [89,6 °F] z wilgotnością pomiędzy 15 do 54%).

Urządzenie:

Poniższa sekcja opisuje środki ostrożności, jakie należy wziąć pod uwagę w czasie użytkowania urządzenia:

- Nie wyłączaj urządzenia i nie otwieraj pokryw podczas drukowania.
- Nie używaj gazu i łatwopalnych cieczy, ani przedmiotów wytwarzających pole magnetyczne w pobliżu urządzenia.
- Podczas wyciągania kabla zasilającego z kontaktu trzymaj za wtyczkę, nie ciągnij za kabel. Uszkodzony kabel stanowi ryzyko pożaru lub porażenia elektrycznego.
- Nie dotykaj kabla zasilającego mokrymi rękami. Może wystąpić ryzyko porażenia elektrycznego.
- Zawsze wyłączaj kabel zasilający z kontaktu przed przeniesieniem urządzenia. W przeciwnym przypadku kabel zasilający może ulec uszkodzeniu i doprowadzić do ryzyka wystąpienia pożaru lub porażenia prądem elektrycznym.
- Zawsze wyłączaj kabel zasilający z kontaktu przed planowaną dłuższą przerwą w użytkowaniu urządzenia.
- Nie kładź przedmiotów na kabel zasilający, nie ciągnij za kabel i nie zginaj go. Może to doprowadzić do ryzyka pożaru lub porażenia prądem elektrycznym.
- Sprawdź, czy urządzenie nie stoi na kablu zasilającym i kablu komunikacyjnym innego urządzenia. Sprawdź, czy żaden przewód, ani kabel nie dostał się w wewnętrzne mechanizmy urządzenia. Może wystąpić ryzyko pożaru lub porażenia prądem elektrycznym.
- Sprawdź, czy urządzenie jest odłączone od źródła zasilania przed podłączeniem lub odłączeniem kabla komunikacyjnego (należy używać ekranowanych kabli sygnałowych).
- Nie usuwaj żadnych części, ani osłon umocowanych na stałe. Urządzenie zawiera obwody wysokiego napięcia. Jakikolwiek kontakt z tymi obwodami stanowi ryzyko porażenia prądem elektrycznym.
- Nie modyfikuj urządzenia. Może to spowodować ryzyko pożaru lub porażenia prądem elektrycznym.

- Zwracaj uwagę na to, aby spinacze, zszywki, lub inne małe metalowe przedmioty nie dostały się do wnętrza urządzenia przez otwory wentylacyjne lub inne. Takie przedmioty mogą spowodować ryzyko pożaru lub porażenia prądem elektrycznym.
- Zapobiegaj rozlewaniu wody lub innych płynów na urządzenie lub w pobliżu urządzenia. Jakikolwiek kontakt urządzenia z wodą lub płynem może spowodować ryzyko pożaru lub porażenia prądem elektrycznym.
- W przypadku dostania się do wnętrza urządzenia płynu lub małego, metalowego przedmiotu, wyłącz niezwłocznie urządzenie od zasilania i skontaktuj się ze sprzedawcą. W przeciwnym przypadku może wystąpić ryzyko pożaru lub porażenia prądem elektrycznym.
- W przypadku nadmiernego nagrzewania, dymu, niecodziennego zapachu lub hałasów, wyłącz urządzenie, odłącz je od zasilania i natychmiast skontaktuj się ze sprzedawcą. W przeciwnym przypadku może wystąpić ryzyko pożaru lub porażenia prądem elektrycznym.
- Unikaj użytkowania urządzenia podczas burzy; może to spowodować ryzyko porażenia prądem elektrycznym z powodu wyładowań atmosferycznych.
- Nigdy nie przemieszczaj urządzenia w czasie drukowania.
- Zawsze podnoś urządzenie podczas przemieszczania.



Upewnij się, że urządzenie jest umieszczone w dobrze wentylowanym pomieszczeniu. Działająca drukarka wytwarza niewielką ilość ozonu. Niemiły zapach może wydobywać się z drukarki, jeśli będzie użytkowana intensywnie w słabo wentylowanym pomieszczeniu. Dla bezpiecznego użytkowania umieść urządzenie w pomieszczeniu o dobrej wentylacji.

## Informacje dotyczące bezpieczeństwa

W czasie korzystania z urządzenia, zawsze należy przestrzegać poniższych środków bezpieczeństwa.

### Bezpieczeństwo podczas obsługi urządzenia

W niniejszej instrukcji używane są następujące symbole:

<b>OSTRZEŻENIE:</b>	<b>Wskazuje na potencjalnie niebezpieczne sytuacje, które w razie nieprzestrzegania zaleceń mogą doprowadzić do śmierci lub poważnych obrażeń.</b>
<b>PRZESTROGA:</b>	Wskazuje na potencjalnie niebezpieczne sytuacje, które w razie nieprzestrzegania zaleceń mogą doprowadzić do drobnych obrażeń lub uszkodzenia urządzenia.



#### OSTRZEŻENIE

- Podłącz kabel zasilający bezpośrednio do gniazdka ściennego, nigdy nie używaj przedłużacza.
- Odłącz wtyczkę zasilającą (ciągnąc za wtyczkę, a nie za kabel) w razie postrzępienia kabla zasilającego lub dowolnego innego uszkodzenia kabla.
- Aby uniknąć niebezpiecznego porażenia prądem lub wystawienia na działanie lasera, nie zdejmuj żadnych pokryw i nie odkręcaj śrub innych niż podane w instrukcji obsługi.
- Wyłącz urządzenie i odłącz wtyczkę zasilającą (ciągnąc za wtyczkę, a nie za kabel) w przypadku wystąpienia jednej z poniższych sytuacji:
  - Na produkt został wylany płyn.
  - Podejrzewasz, że produkt wymaga serwisu lub naprawy.
  - Pokrywa urządzenia została uszkodzona.
- Nie wrzucaj do ognia zużytego tonera. W przypadku wystawienia na otwarty ogień toner może wybuchnąć.
- Usuwać toner w miejscu do tego wyznaczonym lub u autoryzowanego sprzedawcy.
- Usuwać zużyty wkład tonera zgodnie z lokalnymi przepisami.



## PRZESTROGA

- Zabezpiecz produkt przed wilgocią oraz opadami deszczu, śniegu, itp.
- Odłącz kabel zasilający od gniazdka ściennego przed przesunięciem produktu. W czasie przenoszenia produktu, uważaj, aby nie uszkodzić kabla zasilającego pod produktem.
- W czasie odłączania kabla z gniazdka, zawsze ciągnij za wtyczkę (nie za kabel).
- Uważaj, aby do wnętrza produktu nie przedostały się takie przedmioty jak spinacze do papieru, zszywki i inne małe metalowe przedmioty.
- Przechowuj toner (zużyty lub nie używany), wkład do tonera, atrament (zużyty lub nie używany) lub nabój atramentu w miejscu niedostępnym dla dzieci.
- Uważaj, aby nie przeciąć się ostrymi krawędziami w czasie sięgania do wnętrza produktu w celu wyjęcia arkuszy papieru.
- W celu ochrony środowiska, nie wyrzucaj produktu lub odpadów do odpadów gospodarstwa domowego. Usuwać toner w miejscu do tego wyznaczonym lub u autoryzowanego sprzedawcy.
- Nasze produkty spełniają najwyższe standardy dotyczące jakości i funkcyjności, zalecamy używanie materiałów dostępnych u autoryzowanego sprzedawcy.

## Zasilanie

---

Gniazdko ścienne powinno być zainstalowane w pobliżu urządzenia i powinno być łatwo dostępne.

## Zasady korzystania z symboli

---

### OSTRZEŻENIE

Wskazuje ważne zalecenia dotyczące bezpieczeństwa.

Nieprzestrzeganie zaleceń może doprowadzić do poważnych obrażeń lub śmierci. Przeczytaj zalecenia. Zalecenia znajdują się w rozdziale Informacje dotyczące bezpieczeństwa niniejszej instrukcji obsługi

### PRZESTROGA

Wskazuje ważne zalecenia dotyczące bezpieczeństwa.

Nieprzestrzeganie zaleceń może doprowadzić do drobnych obrażeń lub uszkodzenia urządzenia i własności.

Przeczytaj zalecenia. Zalecenia znajdują się w rozdziale Informacje dotyczące bezpieczeństwa niniejszej instrukcji obsługi

# Środowisko

Ochrona środowiska jest ważnym zagadnieniem dla producenta. Producent zobowiązuje się do ochrony środowiska w całym cyklu eksploatacji produktu - od produkcji przez sprzedaż, użytkowanie i ponowne wykorzystanie.

## Opakowanie

---



Obecność logo (zielony punkt) oznacza, że producent wspiera krajowe organizacje specjalizujące się w ponownym wykorzystaniu opakowań.

Aby ułatwić ponowne wykorzystanie opakowań należy postępować zgodnie z lokalnymi sposobami sortowania tego typu odpadów.

## Baterie i akumulatory

---

Jeśli produkt zawiera baterie lub akumulatory, po zużyciu powinny być zwracane do lokalnego centrum kolekcji tego typu odpadów.

## Produkt



Przekreślony koszt na produkcie wskazuje że jest to urządzenie elektryczne lub elektroniczne.



Prawo europejskie wymaga aby produkt utylizować w:

- Centrach zakupu, w przypadku zakupu podobnego sprzętu.
- W dostępnych centrach składowania odpadków (wysypisko, itp.).

Przez postępowanie zgodnie z tymi zasadami bierzesz udział w ponownym użytkowaniu zużytego sprzętu elektrycznego i elektronicznego, co może mieć pozytywny wpływ na środowisko i ludzkie zdrowie.

# Licencja oprogramowania

ZAPOZNAJ SIĘ DOKŁADNIE Z WSZYSTKIMI TERMINAMI I WARUNKAMI UŻYTKOWANIA NINIEJSZEJ LICENCJI PRZED OTWARCIEM KOPERTY ZAWIERAJĄCEJ OPROGRAMOWANIE. OTWARCIE KOPERTY STANOWI ZNAK, ŻE WSZYSTKIE TERMINY I WARUNKI NINIEJSZEJ LICENCJI ZOSTAŁY ZAAKCEPTOWANE.

W przypadku nieakceptowania licencji, nie otwarte opakowanie oprogramowania należy zwrócić sprzedawcy wraz z innymi częściami produktu. Koszt zakupu produktu zostanie zwrócony. Zwrot nie zostanie uwzględniony jeśli opakowanie płyty DVD będzie naruszone, lub brakować będzie niektórych komponentów lub żądanie zwrotu nastąpi później niż po 10 dniach od daty otrzymania produktu znajdującej się na rachunku.

## Definicja

Oprogramowanie oznacza programy i ich dokumentacje.

## Licencja

- Ta licencja zezwala na użytkowanie oprogramowania na komputerach podłączonych w sieci lokalnej. Oprogramowanie może służyć jedynie do drukowania na jednym urządzeniu wielofunkcyjnym, nie można użyczać ani oddawać nikomu licencji na użytkowanie tego oprogramowania.
- Dozwolone jest wykonanie kopii bezpieczeństwa oprogramowania.
- Licencja nie posiada prawa wyłączności ani prawa przeniesienia.

## Własność

Producent zachowuje własność oprogramowania. Licencja obejmuje jedynie własność płyty DVD-ROM. Nie można zmieniać, dopasowywać, dekompilować, tłumaczyć ani tworzyć kopii żadnej dostarczonej części, wypożyczać ani sprzedawać oprogramowania ani dokumentacji. Każde prawo własności nie wymienione w tym dokumencie stanowi własność producenta lub dostawcy.

## Czas trwania

Ta licencja jest aktywna do czasu jej anulowania. Licencja może zostać anulowana przez zniszczenie oprogramowania, dokumentacji i jakiegokolwiek istniejącej kopii oprogramowania. Licencja ulega anulowaniu w przypadku nieprzestrzegania jej zapisów. W przypadku anulowania licencji należy zniszczyć wszystkie kopie oprogramowania i jego dokumentacji.

## Gwarancja

Oprogramowanie jest dostarczane "as is" bez żadnej gwarancji poprawności jego działania do szczególnych zadań; wszelkie ryzyko wynikające z działania i wydajności tego oprogramowania ponosi kupujący. W przypadku wadliwego działania oprogramowania wszelkie naprawy i konserwacja są przeprowadzane na koszt kupującego.

Właściciel licencji korzysta z następujących gwarancji: gwarantujemy, że płyta DVD-ROM, na której zostało zapisane oprogramowanie posiada gwarancję na brak wad materiałowych lub produkcyjnych pod warunkiem zachowania warunków użytkowania, na okres 90 dni od daty zakupu podanej na rachunku. W przypadku uszkodzenia płyty DVD w wyniku wypadku losowego lub błędnego użytkowania płyta DVD nie zostanie wymieniona na gwarancji.

## Odpowiedzialność

---

Jeżeli płyta DVD-ROM nie działa w prawidłowy sposób, należy ją wysłać do sprzedawcy razem z kopią paragonu. Sprzedawca jest odpowiedzialny za wymianę płyty DVD-ROM. Producent i żadna inna osoba, która jest związana z utworzeniem, realizacją, sprzedażą i dostawą tego programu nie ponosi odpowiedzialności za bezpośrednie, pośrednie lub niematerialne uszkodzenia, obejmujące ale nie ograniczające się do utraty danych, utraty czasu, utratę realizacji, utratę dochodu i stratę klientów powstałe w wyniku używania lub niemożności używania programu.

## Rozwój

---

W stałym procesie rozwoju producent zastrzega prawo do modyfikowania oprogramowania bez powiadamiania kupującego. W przypadku modyfikacji użytkownik nie ma prawa do dostępu do darmowych aktualizacji.

## Zastosowane prawo

---

Ta licencja jest wydana zgodnie z francuskim prawem. Wszelkie dyskusje co do zapisów licencji będą rozstrzygane przed Sądem Paryskim.

Ze względu na stały rozwój technologii producent zastrzega sobie prawo do zmiany parametrów technicznych produktu i/lub zaprzestania produkcji bez wcześniejszego powiadamiania kupującego. Wszelkie znaki towarowe są prawną własnością odpowiednich podmiotów prawnych.

## Zastrzeżone znaki towarowe

---

Ze względu na stały rozwój technologii producent zastrzega sobie prawo do zmiany parametrów technicznych produktu i/lub zaprzestania produkcji bez wcześniejszego powiadamiania. Companion Suite Pro to zastrzeżony znak handlowy Sagem Communications.

Adobe® i wymienione produkty Adobe® są zastrzeżonymi znakami handlowymi Adobe Systems Incorporated.

PaperPort11SE jest zastrzeżonym znakiem towarowym ScanSoft.

Microsoft® Windows 2000®, Microsoft® Windows Server 2003®, Microsoft® Windows XP®, Microsoft® Windows Vista® i każdy inny produkt firmy Microsoft® jest zarejestrowanym znakiem towarowym firmy Microsoft Corporation w Stanach Zjednoczonych i/lub innych krajach.

Wszystkie inne marki i wymienione znaki towarowe są własnością swoich właścicieli.

Informacje zawarte w instrukcji obsługi mogą ulec zmianie bez uprzedniego powiadomienia.

## Zakaz kopiowania

---

Nie kopiuj i nie drukuj dokumentów, których kopiowanie jest zabronione.

Drukowanie i kopiowanie następujących dokumentów jest zwykle zabronione przez prawo:

- banknoty;
- czek;
- obligacje;
- depozyty;
- weksle;
- paszporty;
- prawo jazdy.

Podana lista nie jest wyczerpująca. W razie wątpliwości dotyczących legalności kopiowania lub drukowania niektórych dokumentów należy zwrócić się do radcy prawnego.

<b>Οδηγίες για την ασφάλεια</b>	<b>156</b>
<b>Αγαπητέ πελάτη</b>	<b>156</b>
<b>Ασφάλεια</b>	<b>156</b>
Οδηγίες για την ασφάλεια	156
EMC	157
Σημείωση για τους χρήστες στις Ηνωμένες Πολιτείες της Αμερικής.	157
Δήλωση συμμόρφωσης	157
Συμμόρφωση EME για τον Καναδά	157
Πληροφορίες για την ασφάλεια των λέιζερ	157
Για Ευρώπη/Ασία	158
Για τη Βόρεια Αμερική	158
Πληροφορίες κανονισμών	158
Πιστοποιήσεις στην Ευρώπη	158
Θέσεις των ετικετών ασφαλείας στο μηχάνημα	159
Σύμβολα για τον κύριο διακόπτη τροφοδοσίας	159
<b>Εγκατάσταση</b>	<b>160</b>
Συνθήκες τοποθεσίας	160
Προφυλάξεις σχετικά με τη χρήση	160
Πληροφορίες για την ασφάλεια	161
Ασφάλεια κατά τη διάρκεια της λειτουργίας	161
Ηλεκτρική τροφοδοσία	162
Σύμβολα κανόνων χρήσης	162
<b>Περιβάλλον</b>	<b>163</b>
Η συσκευασία	163
Μπαταρίες και συσσωρευτές	163
Το προϊόν	163
<b>Άδεια χρήσης λογισμικού</b>	<b>163</b>
Ορισμός	163
Άδεια	163
Ιδιοκτησία	164
Διάρκεια	164
Εγγύηση	164
Υπευθυνότητα	164
Ανάπτυξη	164
Ισχύον δίκαιο	164
Σήματα κατατεθέντα	164
Απαγόρευση αναπαραγωγής	165

# οδηγίες για την ασφάλεια

## Αγαπητέ πελάτη

Αγοράζοντας αυτήν την πολυλειτουργική συσκευή, έχετε επιλέξει ένα ποιοτικό προϊόν. Η συσκευή σας ικανοποιεί τις διαφορετικές ανάγκες ενός σύγχρονου εργαλείου αυτοματισμού γραφείου.

Αυτή η συσκευή σας επιτρέπει να σαρώσετε και να στείλετε με φασξ έγχρωμα και ασπρόμαυρα έγγραφα, να εκτυπώσετε και να φωτοτυπήσετε σε ασπρόμαυρο χρώμα (**pagepro 1490MF**). Μπορείτε να συνδέσετε την πολυλειτουργική συσκευή με τον Η/Υ σας (Microsoft Windows 2000/XP/Vista).

Εγκαταστήστε το λογισμικό που περιλαμβάνεται για να χρησιμοποιήσετε την πολυλειτουργική συσκευή ως εκτυπωτή. Εκτός αυτού, μπορείτε να σαρώσετε, να επεξεργαστείτε και να αποθηκεύσετε έγγραφα μέσω του Η/Υ. Αν έχετε σύνδεση με προσαρμογέα WLAN (προαιρετικός) μπορείτε να επικοινωνήσετε με έναν προσωπικό υπολογιστή ασύρματα.

Το WLAN είναι μια προαιρετική επιλογή που λειτουργεί μόνο με έναν συγκεκριμένο προσαρμογέα, τον οποίο μπορείτε να αποκτήσετε από το κατάστημα αγοράς της συσκευής σας.

### pagepro 1490MF:

Η πολυλειτουργική συσκευή σας επιτρέπει να συνδέσετε μια βάση USB-DECT σε μία από τις θύρες USB της συσκευής και να καταχωρήσετε συσκευές DECT σε αυτή τη βάση. Στη συνέχεια μπορείτε να πραγματοποιήσετε και να λάβετε κλήσεις με τις καταχωρημένες συσκευές DECT χρησιμοποιώντας την τηλεφωνική γραμμή του μηχανήματος (τυπική ασύρματη χρήση τηλεφώνου).

Η φωνητική επικοινωνία είναι προαιρετική και λειτουργεί μόνο με συγκεκριμένο dongle USB DECT τα οποία μπορείτε να εξασφαλίσετε από τον προμηθευτή σας.

Αυτή η συσκευή, χάρη στον πλοηγό και την πρόσβαση πολλαπλών υπηρεσιών, είναι ισχυρή, φιλική προς το χρήστη και εύχρηστη.

Η πολυλειτουργική συσκευή MFP Laser είναι εξοπλισμένη με έναν σαρωτή 600 dpi και έναν ασπρόμαυρο εκτυπωτή λέιζερ που προσφέρει ταχύτητα εκτύπωσης 20 ppm. Το λογισμικό Companion Suite Pro που παρέχεται σας επιτρέπει να χρησιμοποιήσετε την πολυλειτουργική συσκευή σας όπως έναν σαρωτή και έναν εκτυπωτή από έναν προσωπικό υπολογιστή. Σας δίνει επίσης τη δυνατότητα να διαχειριστείτε την πολυλειτουργική συσκευή σας.

## Ασφάλεια

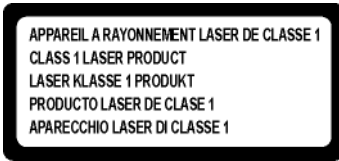
### Οδηγίες για την ασφάλεια

Πριν ενεργοποιήσετε τη συσκευή σας, ελέγξτε ότι η πρίζα στην οποία θα τη συνδέσετε συμμορφώνεται με τις ενδείξεις που αναγράφονται στην πινακίδα πληροφοριών (τάση, ρεύμα, συχνότητα ηλεκτρικού δικτύου) που βρίσκεται στη συσκευή σας. Αυτή η συσκευή πρέπει να συνδέεται σε δίκτυο μονής φάσης ισχύος. Αυτή η συσκευή δεν πρέπει να εγκαθίσταται στο έδαφος.

Οι μπαταρίες και οι επαναφορτιζόμενες μπαταρίες, η συσκευασία και η ηλεκτρικός και ηλεκτρονικός εξοπλισμός (EEE), πρέπει να απορρίπτεται, όπως καθορίζεται στο σχετικά κεφάλαιο για τις Οδηγίες σχετικά με το ΠΕΡΙΒΑΛΛΟΝ αυτού του εγχειριδίου.

Λόγω του μοντέλου της συσκευής, το βύσμα τροφοδοσίας είναι ο μόνος τρόπος για την αποσύνδεση της συσκευής από το ηλεκτρικό δίκτυο, για αυτό είναι ιδιαίτερα σημαντικό να εφαρμόσετε τα ακόλουθα μέτρα ασφαλείας: η συσκευή πρέπει να συνδέεται σε κοντινή πρίζα. Η πρίζα πρέπει να είναι εύκολα προσιτή.

Η συσκευή παραδίδεται με γειωμένο καλώδιο τροφοδοσίας. Είναι ιδιαίτερα σημαντικό να συνδέσετε ένα γειωμένο συνδετήρα στη γείωση του κτιρίου.



**Επισκευές/Συντήρηση:** Οι επισκευές και η συντήρηση θα πρέπει να πραγματοποιούνται μόνον από καταρτισμένο τεχνικό. Δεν υπάρχουν εξαρτήματα σε αυτό το μηχάνημα που μπορούν να επισκευαστούν από το χρήστη. Για να μειώσετε τον κίνδυνο ηλεκτροπληξίας, δεν πρέπει να προβείτε σε αυτές τις ενέργειες διότι με το άνοιγμα ή την αφαίρεση καλυμμάτων, μπορείτε να εκθέσετε τον εαυτό σας σε δύο κινδύνους:

- Η δέσμη λέιζερ μπορεί να προκαλέσει μη αναστρέψιμη βλάβη στα μάτια.
- Αποφύγετε την επαφή με ηλεκτροδοτούμενα μέρη διότι μπορεί να έχει ως αποτέλεσμα ηλεκτροπληξία με δυσάρεστες επιπτώσεις.

## EMC

### Σημείωση για τους χρήστες στις Ηνωμένες Πολιτείες της Αμερικής.

Ο εξοπλισμός αυτός έχει δοκιμαστεί και βρέθηκε εντός των ορίων ψηφιακής συσκευής Κλάσης Β, σύμφωνα με την Ενότητα 15 των Κανονισμών της Ομοσπονδιακής Επιτροπής Επικοινωνιών (FCC). Τα όρια αυτά έχουν προβλεφθεί έτσι ώστε να παρέχουν εύλογη προστασία κατά επιζήμιων παρεμβολών όταν ο εξοπλισμός λειτουργεί σε οικιακό περιβάλλον.

Ο εξοπλισμός αυτός δημιουργεί, χρησιμοποιεί και ενδέχεται να εκπέμπει ενέργεια ραδιοσυχνοτήτων και εάν δεν έχει εγκατασταθεί και χρησιμοποιηθεί σύμφωνα με τις οδηγίες, μπορεί να προκαλέσει επιζήμιες παρεμβολές σε ραδιοεπικοινωνίες. Ωστόσο, δεν υπάρχει εγγύηση ότι δεν θα συμβούν παρεμβολές σε μια συγκεκριμένη εγκατάσταση.

Εάν αυτός ο εξοπλισμός προκαλέσει επικίνδυνες παρεμβολές σε ραδιοφωνική ή τηλεοπτική λήψη, οι οποίες διαπιστώνονται ενεργοποιώντας και απενεργοποιώντας τον εξοπλισμό, επιχειρήστε να διορθώσετε την παρεμβολή λαμβάνοντας ένα ή περισσότερα από τα ακόλουθα μέτρα:

1. Επαναπροσανατολισμός ή αλλαγή θέσης της κεραίας λήψης.
2. Αύξηση της απόστασης μεταξύ του εξοπλισμού και του δέκτη.
3. Σύνδεση του υπολογιστή σε διαφορετική πρίζα έτσι ώστε ο υπολογιστής και ο δέκτης να βρίσκονται σε διαφορετικά κυκλώματα.
4. Συμβουλευτείτε τον προμηθευτή σας ή έναν έμπειρο τεχνικό ραδιοφώνων / τηλεοράσεων για βοήθεια.

### Δήλωση συμμόρφωσης

Αυτή η συσκευή συμμορφώνεται με την Ενότητα 15 των Κανονισμών της FCC. Η λειτουργία υπόκειται στις ακόλουθες δύο προϋποθέσεις:

1. Η συσκευή δεν πρέπει να προκαλεί επικίνδυνες παρεμβολές, και
2. η συσκευή αυτή πρέπει να αποδέχεται κάθε παρεμβολή που λαμβάνει ακόμα και εκείνη που μπορεί να προκαλέσει ανεπιθύμητη λειτουργία.

### Συμμόρφωση EME για τον Καναδά

Η παρούσα ψηφιακή συσκευή κλάσης "B" συμμορφώνεται με το καναδικό πρότυπο ICES-003.

Cet appareil numérique de la classe "B" est conforme à la norme NMB-003 du Canada.

### Πληροφορίες για την ασφάλεια των λέιζερ

**ΠΡΟΣΟΧΗ:** Η χρήση των στοιχείων ελέγχου ή οι επιδόσεις των διαδικασιών που καθορίζονται σε αυτόν τον οδηγό, μπορεί να έχουν ως αποτέλεσμα επικίνδυνη έκθεση σε φως.

Αυτός ο εξοπλισμός συμμορφώνεται με τα διεθνή πρότυπα για την ασφάλεια και έχει χαρακτηριστεί ως προϊόν λέιζερ Κλάσης 1.

Κάνοντας συγκεκριμένη αναφορά σε λέιζερ, αυτός ο εξοπλισμός συμμορφώνεται με τα πρότυπα επιδόσεων λέιζερ που έχουν οριστεί από κυβερνητικούς, εθνικούς και διεθνείς φορείς ως προϊόν λέιζερ Κλάσης 1. Δεν εκπέμπει επικίνδυνο φως, καθώς η ακτίνα είναι πλήρως προστατευμένη κατά τη διάρκεια όλων των φάσεων της λειτουργίας και συντήρησης από τον πελάτη.

## Για Ευρώπη/Ασία

---

Αυτό το μηχάνημα συμμορφώνεται με το πρότυπο IEC 60825-1:1993+A1:1997+A2:2001, και χαρακτηρίζεται ως προϊόν λέιζερ κλάσης 1 και είναι ασφαλές για χρήση σε γραφείο/DTP. Περιέχει μια δίοδο λέιζερ κλάσης 3B, 10,72 mW max, 770-795 nm και άλλες λυχνίες LED κλάσης 1 (280 μW στα 639 nm).

Απευθείας (ή έμμεση μέσω ανάκλασης) επαφή της ακτίνας λέιζερ με τα μάτια μπορεί να προκαλέσει σοβαρή ζημιά στα μάτια. Οι προφυλάξεις για την ασφάλεια και οι μηχανισμοί ασφάλισης έχουν σχεδιαστεί για να αποτρέψουν πιθανή έκθεση της ακτίνας λέιζερ στον χειριστή.

## Για τη Βόρεια Αμερική

---

Κανονισμοί CDRH.

Αυτός ο εξοπλισμός συμμορφώνεται με τα πρότυπα επιδόσεων της FDA για προϊόντα λέιζερ εκτός για παρεκκλίσεις σύμφωνα με την Ειδοποίηση για λέιζερ No.50, με ημερομηνία 24 Ιουνίου 2007 και περιέχει 1 δίοδο λέιζερ κλάσης 3B, 10,72 milliwatt, μήκος κύματος 770-795 νανομέτρων και άλλες λυχνίες LED κλάσης 1 (280 μW στα 639 nm).

Αυτός ο εξοπλισμός δεν εκπέμπει επικίνδυνο φως, καθώς η ακτίνα είναι πλήρως προστατευμένη κατά τη διάρκεια όλων των διαδικασιών λειτουργίας και συντήρησης.

## Πληροφορίες κανονισμών

---

### Πιστοποιήσεις στην Ευρώπη

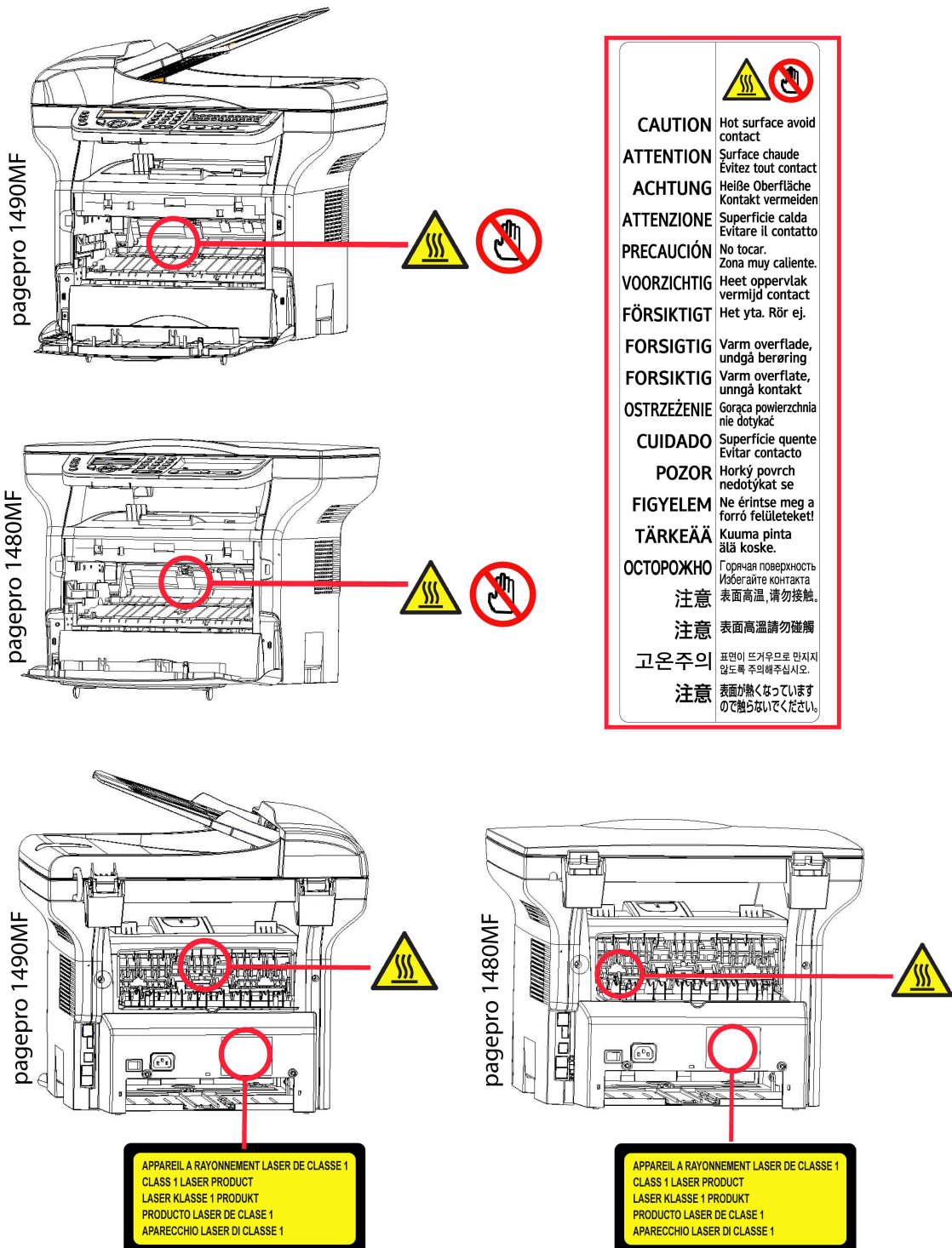
---

**CE** Η σήμανση CE που υπάρχει στο προϊόν αυτό συμβολίζει τη Δήλωση Συμμόρφωσης με τις παρακάτω ισχύουσες Οδηγίες της Ευρωπαϊκής Ένωσης που εκδόθηκαν στις ημερομηνίες που υποδεικνύονται παρακάτω:

- 12 Δεκεμβρίου 2006: Οδηγία συμβουλίου 2006/95/ΕΟΚ κατόπιν τροποποίησης. Προσέγγιση των νομοθεσιών των κρατών μελών που αφορούν στον εξοπλισμό χαμηλής τάσης.
- 15.12.04: Οδηγία συμβουλίου 2004/108/ΕΟΚ κατόπιν τροποποίησης. Προσέγγιση των νομοθεσιών των κρατών μελών που αφορούν στην ηλεκτρομαγνητική συμβατότητα.
- 9 Μαρτίου 1999: Οδηγία συμβουλίου 99/5/ΕΚ, περί τερματικού ραδιοφωνικού και τηλεπικοινωνιακού εξοπλισμού και της αμοιβαίας αναγνώρισης της μεταξύ τους συμβατότητας.



## Θέσεις των ετικετών ασφαλείας στο μηχάνημα

Η συσκευή έχει ετικέτες προειδοποιήσεων στις θέσεις που εμφανίζονται παρακάτω. Για τη δική σας ασφάλεια, δεν πρέπει ποτέ να αγγίζετε αυτές τις επιφάνειες κατά την απεμπλοκή μιας εμπλοκής χαρτιού ή όταν τοποθετείτε την κασέτα γραφίτη.



## Σύμβολα για τον κύριο διακόπτη τροφοδοσίας

Σύμφωνα με το IEC 60417, αυτό το μηχάνημα χρησιμοποιεί τα ακόλουθα σύμβολα για τον κύριο διακόπτη λειτουργίας:

-  σημαίνει ΕΝΕΡΓΟΠΟΙΗΣΗ.
-  σημαίνει ΑΠΕΝΕΡΓΟΠΟΙΗΣΗ.



# Εγκατάσταση

## Συνθήκες τοποθεσίας

Με την επιλογή μιας κατάλληλης τοποθεσίας, διατηρείται η μακροζωία της συσκευής. Ελέγξτε ότι η επιλεγμένη τοποθεσία έχει τα ακόλουθα χαρακτηριστικά:

- Επιλέξτε μια καλά αεριζόμενη τοποθεσία.
- Βεβαιωθείτε ότι δεν εμποδίζονται τα πλέγματα εξαερισμού που βρίσκονται αριστερά και δεξιά της συσκευής. Κατά τη διάρκεια της εγκατάστασης, βεβαιωθείτε ότι τοποθετήσατε τη συσκευή τριάντα εκατοστά μακριά από τα περιβάλλοντα αντικείμενα έτσι ώστε όλα τα καπάκια να μπορούν να ανοίγουν εύκολα.
- Βεβαιωθείτε ότι αυτή η τοποθεσία δεν εμφανίζει ίχνη αμμωνίας, ούτε κίνδυνο εκπομπής οργανικών αερίων.
- Η γείωση (δείτε τις προειδοποιήσεις ασφάλειας που παρουσιάζονται στο κεφάλαιο **Ασφάλεια**) στην οποία θα συνδέσετε τη συσκευή πρέπει να βρίσκεται κοντά και να έχετε εύκολη πρόσβαση σε αυτήν.
- **Βεβαιωθείτε ότι η συσκευή δεν εκτίθεται απευθείας στο ηλιακό φως.**
- Λάβετε τα κατάλληλα μέτρα ώστε να μην τοποθετηθεί η συσκευή σε περιοχή εκτεθειμένη σε ροή αέρα που παράγεται από σύστημα κλιματισμού, θέρμανσης ή εξαερισμού, ούτε σε περιοχή με μεγάλες μεταβολές θερμοκρασίας ή υγρασίας.
- Επιλέξτε μια στερεή και οριζόντια επιφάνεια επάνω στην οποία η συσκευή δεν θα εκτίθεται σε έντονες δονήσεις.
- **Κρατήστε τη συσκευή μακριά από οποιοδήποτε αντικείμενο θα μπορούσε να εμποδίσει τις θυρίδες εξαερισμού της.**
- Μην τοποθετείτε τη συσκευή κοντά σε οποιαδήποτε εύφλεκτα αντικείμενα.
- Επιλέξτε μια τοποθεσία με περιορισμένη πρόσβαση σε νερό ή διαρροές υγρών.
- Βεβαιωθείτε ότι αυτή η τοποθεσία είναι στεγνή, καθαρή και χωρίς σκόνη.

## Προφυλάξεις σχετικά με τη χρήση

Λάβετε υπόψη τις σημαντικές προφυλάξεις που ακολουθούν κατά τη χρήση της συσκευής.

Περιβάλλον λειτουργίας:

- Θερμοκρασία: 10 °C έως 27 °C [50 °F έως 80.6 °F] με συμπεριλαμβανομένη υγρασία περιβάλλοντος 15 έως 80% (μέχρι 32°C [89,6 °F] με συμπεριλαμβανομένη υγρασία μεταξύ 15 και 54%).

Τερματικό:

Η ενότητα παρακάτω περιγράφει τα προληπτικά μέτρα που πρέπει να λαμβάνονται κατά τη χρήση της συσκευής:

- Μην σβήνετε ποτέ τη συσκευή και μην ανοίγετε ποτέ τα καλύμματά της ενώ εκτυπώνει.
- Μην χρησιμοποιείτε ποτέ αέρια, εύφλεκτα υγρά ή αντικείμενα που παράγουν μαγνητικό πεδίο κοντά στη συσκευή.
- Όταν βγάζετε το ηλεκτρικό καλώδιο από την πρίζα, κρατάτε πάντοτε το φως χωρίς να τραβάτε το καλώδιο. Ένα καλώδιο με φθορές αποτελεί πιθανό κίνδυνο πυρκαγιάς ή ηλεκτροπληξίας.
- Μην πιάνετε ποτέ το καλώδιο με βρεγμένα χέρια. Υπάρχει κίνδυνος ηλεκτροπληξίας.
- Πάντοτε να βγάζετε το ηλεκτρικό καλώδιο από την πρίζα πριν μετακινήσετε τη συσκευή. Διαφορετικά, υπάρχει κίνδυνος βλάβης του καλωδίου, κίνδυνος πυρκαγιάς ή ηλεκτροπληξίας.
- Να αποσυνδέετε πάντοτε το ηλεκτρικό καλώδιο εφ' όσον δεν πρόκειται να χρησιμοποιήσετε τη συσκευή για μια μεγάλη χρονική περίοδο.
- Μην βάζετε ποτέ αντικείμενα επάνω στο ηλεκτρικό καλώδιο, μην το τραβάτε και μην το τσακίζετε. Αυτό θα μπορούσε να προκαλέσει πυρκαγιά ή ηλεκτροπληξία.
- Να λαμβάνετε πάντοτε τα κατάλληλα μέτρα ώστε η συσκευή να μην εμποδίζει το καλώδιο ηλεκτρικής παροχής ή οποιαδήποτε άλλα καλώδια διασύνδεσης ηλεκτρικών συσκευών. Βεβαιωθείτε ότι κανένα ηλεκτρικό καλώδιο ούτε καλώδιο διασύνδεσης δεν έχει εισχωρήσει στον εσωτερικό μηχανισμό της συσκευής. Αυτό είναι πιθανό να επιφέρει δυσλειτουργία στη συσκευή ή κίνδυνο πυρκαγιάς.
- Βεβαιωθείτε ότι έχετε αποσυνδέσει τη συσκευή από την πρίζα πριν συνδέσετε ή αποσυνδέσετε ένα καλώδιο διασύνδεσης στη συσκευή (χρησιμοποιήστε θωρακισμένο καλώδιο διασύνδεσης).
- Μην προσπαθήσετε ποτέ να αφαιρέσετε οποιαδήποτε σταθερή πλάκα ή κάλυμμα. Η συσκευή περιέχει κυκλώματα υψηλής τάσης. Οποιαδήποτε επαφή με αυτά τα κυκλώματα μπορεί να προκαλέσει κίνδυνο ηλεκτροπληξίας.
- Μην προσπαθήσετε ποτέ να τροποποιήσετε την συσκευή. Αυτό θα μπορούσε να προκαλέσει πυρκαγιά ή ηλεκτροπληξία.

- Να λαμβάνετε πάντοτε κατάλληλα μέτρα ώστε να μην εισέρχονται στη συσκευή μέσω των θυρίδων εξαιρισμού συνδετήρες, συρραπτικά ή άλλα μικρά μεταλλικά αντικείμενα. Αυτά τα αντικείμενα ενδέχεται να προκαλέσουν πυρκαγιά ή ηλεκτροπληξία.
- Αποτρέψτε την εισροή νερού ή άλλου υγρού στη συσκευή ή στον περιβάλλοντα χώρο. Οποιαδήποτε επαφή της συσκευής με νερό ή υγρό μπορεί να προκαλέσει κίνδυνο πυρκαγιάς ή ηλεκτροπληξίας.
- Εάν εισέλθει τυχαία στη συσκευή υγρό ή μεταλλικό αντικείμενο, κλείστε τη συσκευή αμέσως, αποσυνδέστε το ηλεκτρικό καλώδιο και ελάτε σε επαφή με το κατάστημα αγοράς. Διαφορετικά, υπάρχει κίνδυνος πυρκαγιάς ή ηλεκτροπληξίας.
- Σε περίπτωση θερμότητας, ασυνήθιστης οσμής ή αφύσικου θορύβου, κλείστε την συσκευή, αποσυνδέστε το ηλεκτρικό καλώδιο αμέσως και ελάτε σε επαφή με το κατάστημα αγοράς. Διαφορετικά, υπάρχει κίνδυνος πυρκαγιάς ή ηλεκτροπληξίας.
- Αποφύγετε την χρήση της συσκευής κατά τη διάρκεια "ηλεκτρικής καταιγίδας", αυτό μπορεί να προκαλέσει κίνδυνο ηλεκτροπληξίας λόγω αστραπής.
- Μην μετακινείτε ποτέ το τερματικό κατά την διάρκεια εκτύπωσης.
- Να ανασηκώνετε πάντοτε το τερματικό όταν επιθυμείτε να το μετακινήσετε



Μεριμνήστε να τοποθετηθεί η συσκευή σε καλά αεριζόμενο χώρο. Κατά τη λειτουργία του, ο εκτυπωτής παράγει μια μικρή ποσότητα όζοντος. Εάν ο εκτυπωτής χρησιμοποιηθεί εντατικά σε όχι καλά αεριζόμενους χώρους ενδέχεται να αναδυθεί μια δυσάρεστη οσμή. Για ασφαλή χρήση, μεριμνήστε να τοποθετηθεί η συσκευή σε καλά αεριζόμενο χώρο.

## Πληροφορίες για την ασφάλεια

Όταν χρησιμοποιείτε αυτό το προϊόν, πρέπει να τηρείτε τις ακόλουθες οδηγίες για την ασφάλεια.

### Ασφάλεια κατά τη διάρκεια της λειτουργίας

Σε αυτό το εγχειρίδιο, χρησιμοποιούνται τα ακόλουθα σύμβολα:

ΠΡΟΕΙΔΟΠΟΙΗΣΗ:	Δείχνει μια δυνητικά επικίνδυνη κατάσταση η οποία, εάν δεν ακολουθηθούν οι οδηγίες, μπορεί να έχει ως αποτέλεσμα το θάνατο ή σοβαρό τραυματισμό.
ΠΡΟΣΟΧΗ:	Δείχνει μια δυνητικά επικίνδυνη κατάσταση η οποία, εάν δεν ακολουθηθούν οι οδηγίες, μπορεί να έχει ως μέτριο ή ελάσσονα τραυματισμό ή ζημιά στον εξοπλισμό.



### ΠΡΟΕΙΔΟΠΟΙΗΣΗ

- Συνδέστε στην πρίζα το καλώδιο τροφοδοσίας και μη χρησιμοποιείτε ποτέ καλώδιο επέκτασης.
- Αποσυνδέστε το βύσμα (τραβώντας την πρίζα όχι το καλώδιο) εάν το καλώδιο ή το βύσμα είναι ξεφτισμένο ή κατεστραμμένο.
- Για να αποφύγετε επικίνδυνη ηλεκτροπληξία ή έκθεση σε ακτινοβολία λέιζερ, μην αφαιρείτε τα καλύμματα ή τις βίδες εκτός από αυτές που καθορίζονται στις οδηγίες λειτουργίας.
- Αποσυνδέστε την παροχή ισχύος και βγάλτε το βύσμα τροφοδοσίας (τραβώντας το βύσμα όχι το καλώδιο) εάν ισχύει οποιοδήποτε από τα ακόλουθα:
  - Κάποιο υγρό έχει χυθεί στο προϊόν.
  - Υποψιάζεστε ότι το προϊόν χρειάζεται σέρβις ή επισκευή.
  - Το κάλυμμα του προϊόντος σας έχει υποστεί ζημιά.
- Μην καίτε το γραφίτη που έχει χυθεί ή χρησιμοποιηθεί. Η σκόνη του γραφίτη μπορεί να αναφλεγεί εάν εκτεθεί σε φωτιά.
- Η αποκομιδή μπορεί να γίνει στον εξουσιοδοτημένη προμηθευτή μας ή σε κατάλληλες τοποθεσίες συλλογής.
- Φροντίστε για την αποκομιδή της χρησιμοποιημένης κασέτας (ή φιάλης) γραφίτη σύμφωνα με τους τοπικούς κανονισμούς.

 **ΠΡΟΣΟΧΗ**

- Προστατεύστε το προϊόν από την υγρασία και τον υγρό καιρό, όπως βροχή, χιόνι, κ.ο.κ.
- Βγάλτε από την επιτοίχια πρίζα το καλώδιο τροφοδοσίας πριν μετακινήσετε το προϊόν. Ενώ μετακινείτε το προϊόν, θα πρέπει να φροντίσετε έτσι ώστε το καλώδιο τροφοδοσίας να μην υποστεί φθορές κάτω από το προϊόν.
- Όταν αποσυνδέετε το βύσμα τροφοδοσίας από την επιτοίχια πρίζα, πάντα τραβάτε το βύσμα (και όχι το καλώδιο).
- Φροντίστε έτσι ώστε να μην πέφτουν συνδετήρες ή άλλα μικρά μεταλλικά αντικείμενα μέσα στο προϊόν.
- Διατηρήστε το γραφίτη (χρησιμοποιημένο ή μη), την κασέτα (ή φιάλη) γραφίτη, το μελάνι (χρησιμοποιημένο ή μη) ή την κασέτα μελανιού, μακριά από τα παιδιά.
- Να είστε προσεκτικοί να μην κοπείτε σε αιχμηρά άκρα όταν βάζετε τα χέρια σας στο εσωτερικό του προϊόντος για να αφαιρέσετε χαρτιά που έχουν μπλοκάρει.
- Για λόγους προστασίας του περιβάλλοντος, μην απορρίπτετε το προϊόν ή τα αναλώσιμα που έχετε καταναλώσει σε σημεία απόρριψης οικιακών απορριμμάτων. Η αποκομιδή μπορεί να γίνει στον εξουσιοδοτημένη προμηθευτή μας ή σε κατάλληλες τοποθεσίες συλλογής.
- Τα προϊόντα μας έχουν σχεδιαστεί έτσι ώστε να πληρούν υψηλές προδιαγραφές ποιότητας και λειτουργικότητας, και σας συνιστούμε να χρησιμοποιείτε μόνο τα αναλώσιμα που είναι διαθέσιμα στους εξουσιοδοτημένους προμηθευτές.

---

### Ηλεκτρική τροφοδοσία

Η υποδοχή της πρίζας πρέπει να εγκαθίσταται κοντά στο προϊόν και δεν να βρίσκεται σε εύκολα προσιτή θέση.

---

### Σύμβολα κανόνων χρήσης

 **ΠΡΟΕΙΔΟΠΟΙΗΣΗ**

Δείχνει σημαντικές σημειώσεις ασφαλείας.

Η παράβλεψη αυτών των σημειώσεων μπορεί να έχει ως αποτέλεσμα σοβαρό τραυματισμό ή θάνατο. Βεβαιωθείτε ότι διαβάσατε αυτές τις σημειώσεις. Μπορείτε να τις βρείτε στην ενότητα Πληροφορίες για την ασφάλεια του εγχειριδίου.

 **ΠΡΟΣΟΧΗ**

Δείχνει σημαντικές σημειώσεις ασφαλείας.

Η παράβλεψη αυτών των σημειώσεων μπορεί να έχει ως αποτέλεσμα μέτριο ή ελάχιστο τραυματισμό ή ζημιά στο μηχάνημα ή την ιδιοκτησία σας. Βεβαιωθείτε ότι διαβάσατε αυτές τις σημειώσεις. Μπορείτε να τις βρείτε στην ενότητα Πληροφορίες για την ασφάλεια του εγχειριδίου.

# Περιβάλλον

Η προστασία του περιβάλλοντος είναι σημαντική για τον κατασκευαστή. Ο κατασκευαστής επιθυμεί να χρησιμοποιήσει τις εγκαταστάσεις με σεβασμό για το περιβάλλον και επέλεξε να συμπεριλάβει τις περιβαλλοντικές επιδόσεις σε ολόκληρη τη διάρκεια ζωής των προϊόντων του, από την κατασκευή έως διάθεση, χρήση και απόρριψη.

## Η συσκευασία



Το λογότυπο (πράσινος κύκλος) σημαίνει ότι καταβλήθηκε μία συμμετοχή σε εγκεκριμένο εθνικό οργανισμό για την βελτίωση της περισυλλογής συσκευασιών και των υποδομών ανακύκλωσης.

Για να διευκολύνετε την ανακύκλωση, τηρήστε τους τοπικούς κανονισμούς και την νομοθεσία όσον αφορά την διαλογή και την απόρριψη τέτοιων απορριμμάτων.

## Μπαταρίες και συσσωρευτές

Εάν το προϊόν σας περιέχει μπαταρίες ή συσσωρευτές, πρέπει να απορρίπτονται στα καθορισμένα κέντρα περισυλλογής.

## Το προϊόν



Το σύμβολο διαγραμμένου κάδου απορριμμάτων στο προϊόν σημαίνει ότι ανήκει στην κατηγορία ηλεκτρικού και ηλεκτρονικού εξοπλισμού.

Έτσι, σύμφωνα με τους Ευρωπαϊκούς κανονισμούς, πρέπει να απορρίπτεται σε επιλεγμένα σημεία περισυλλογής:

- στα κέντρα διανομής σε περίπτωση αγοράς παρόμοιου εξοπλισμού,
- στα διαθέσιμα τοπικά κέντρα περισυλλογής (χώρος απόρριψης, επιλεκτική περισυλλογή, κλπ.).

Έτσι, θα συμμετάσχετε στο «Πρόγραμμα αξιοποίησης και ανάπτυξης Αποβλήτων Ηλεκτρικού και Ηλεκτρονικού Εξοπλισμού» που θα βοηθήσει στην πρόληψη πιθανών επιπτώσεων στο περιβάλλον και στην υγεία των ανθρώπων.

# Άδεια χρήσης λογισμικού

ΔΙΑΒΑΣΤΕ ΠΡΟΣΕΚΤΙΚΑ ΟΛΟΥΣ ΤΟΥΣ ΟΡΟΥΣ ΚΑΙ ΤΙΣ ΔΙΑΤΑΞΕΙΣ ΤΗΣ ΠΑΡΟΥΣΑΣ ΑΔΕΙΑΣ ΠΡΙΝ ΑΝΟΙΞΕΤΕ ΤΟΝ ΣΦΡΑΓΙΣΜΕΝΟ ΦΑΚΕΛΟ ΠΟΥ ΠΕΡΙΕΧΕΙ ΤΟ ΛΟΓΙΣΜΙΚΟ. ΤΟ ΑΝΟΙΓΜΑ ΑΥΤΟΥ ΤΟΥ ΦΑΚΕΛΟΥ ΥΠΟΔΗΛΩΝΕΙ ΟΤΙ ΑΠΟΔΕΧΕΣΤΕ ΑΥΤΟΥΣ ΤΟΥΣ ΟΡΟΥΣ ΚΑΙ ΤΙΣ ΔΙΑΤΑΞΕΙΣ.

Σε περίπτωση που δεν αποδέχεστε τους όρους αυτής της άδειας, η συσκευασία του DVD-ROM θα πρέπει να επιστραφεί στο κατάστημα αγοράς κλειστή, μαζί με τα άλλα εξαρτήματα του προϊόντος. Δεν θα υπάρξει επιστροφή των χρημάτων αγοράς του προϊόντος. Καμία επιστροφή δεν θα γίνει για προϊόντα εάν η συσκευασία του DVD-ROM έχει ανοιχτεί, εάν τα εξαρτήματα λείπουν ή εάν το αίτημα αποζημίωσης υποβληθεί μετά από δέκα (10) ημέρες από την ημερομηνία αγοράς. Η απόδειξη αγοράς αποτελεί τεκμήριο αγοράς.

## Ορισμός

Το λογισμικό καθορίζει τα προγράμματα και την σχετική τεκμηρίωση.

## Άδεια

- Αυτή η άδεια επιτρέπει την χρήση αυτού του λογισμικού σε προσωπικούς υπολογιστές σε ένα τοπικό δίκτυο. Επιτρέπεται να χρησιμοποιήσετε αυτό το λογισμικό μόνο για εκτύπωση με μια πολυλειτουργική συσκευή, ενώ δεν

μπορείτε να δανείσετε το λογισμικό ή να εγκρίνετε τη χρήση του από κάποιο άλλο άτομο.

- Έχετε την άδεια για να δημιουργήσετε ένα εφεδρικό αντίγραφο.

- Αυτή η άδεια είναι αποκλειστική και δεν μεταβιβάζεται.

## Ιδιοκτησία

Ο κατασκευαστής ή οι προμηθευτές του διατηρούν το δικαίωμα ιδιοκτησίας λογισμικού. Γίνεστε απλά ιδιοκτήτης του DVD-ROM. Απαγορεύεται να τροποποιήσετε, να προσαρμόσετε, να αποσυνθέσετε, να μεταφράσετε, να δημιουργήσετε οποιοδήποτε παράγωγο κομμάτι, να ενοικιάσετε ή να πουλήσετε το λογισμικό ή την τεκμηρίωση. Ο κατασκευαστής ή οι προμηθευτές του διατηρούν κάθε δικαίωμα που δεν έχει εγκριθεί ρητά.

## Διάρκεια

Αυτή η άδεια ισχύει μέχρι να ακυρωθεί. Μπορείτε να την ακυρώσετε καταστρέφοντας το πρόγραμμα και την τεκμηρίωση καθώς επίσης και οποιαδήποτε άλλα αντίγραφα τους. Αυτή η άδεια θα ακυρωθεί αυτόματα σε περίπτωση που δεν τηρηθούν οι όροι αυτής. Εάν η άδεια καταστεί άκυρη, συμφωνείτε να καταστρέψετε όλα τα αντίγραφα του προγράμματος και της σχετικής τεκμηρίωσης.

## Εγγύηση

Το λογισμικό παρέχεται "ως έχει" χωρίς οποιοδήποτε εγγυήσεις, ρητές ή υπονοούμενες, συμπεριλαμβανομένων χωρίς περιορισμό, οποιωνδήποτε εγγυήσεων εμπορευσιμότητας και καταλληλότητας για συγκεκριμένο σκοπό, ο αγοραστής αναλαμβάνει κάθε κίνδυνο αναφορικά με τα αποτελέσματα και την απόδοση αυτού του λογισμικού. Σε περίπτωση που το πρόγραμμα αποδειχθεί ελαττωματικό, όλες οι δαπάνες επισκευής και επιδιόρθωσης θα καλυφθούν από τον αγοραστή.

Εντούτοις, ο κάτοχος άδειας ωφελείται από την ακόλουθη εγγύηση: εγγυούμαστε ότι το DVD-ROM στο οποίο έχει εγγραφεί το λογισμικό είναι απαλλαγμένο από ελαττώματα υλικού ή κατασκευαστικά σφάλματα εάν χρησιμοποιηθεί υπό κανονικές συνθήκες, η εγγύηση ισχύει για ενενήντα (90) ημέρες από την ημερομηνία παράδοσης, και η απόδειξη αγοράς αποτελεί τεκμήριο αγοράς. Σε περίπτωση που παρουσιαστεί ελάττωμα στο DVD-ROM λόγω τυχαίου γεγονότος ή κακής χρήσης, το DVD-ROM δεν θα αντικατασταθεί σύμφωνα με την εγγύηση.

## Υπευθυνότητα

Εάν το DVD-ROM δεν λειτουργεί σωστά, επιστρέψτε το στο κατάστημα αγοράς μαζί με ένα αντίγραφο της απόδειξης αγοράς. Είναι αποκλειστική ευθύνη του καταστήματος αγοράς να αντικαταστήσει το DVD-ROM. Κανένα άτομο, ούτε και ο κατασκευαστής που εμπλέκεται στην δημιουργία, πραγματοποίηση, εμπορευσιμότητα και παράδοση αυτού του προγράμματος δεν θα θεωρηθεί υπεύθυνος για τις άμεσες, έμμεσες ή ασήμαντες βλάβες, όπως, αλλά χωρίς περιορισμό, απώλεια πληροφοριών, καθυστέρηση, απώλεια εκτέλεσης, απώλεια εσόδων, απώλεια πελατών, λόγω της χρήσης ή της μη-δυνατότητας χρήσης του προγράμματος.

## Ανάπτυξη

Με ένα συνεχές ενδιαφέρον για βελτίωση, ο κατασκευαστής διατηρεί το δικαίωμα να τροποποιήσει τις προδιαγραφές λογισμικού χωρίς οποιαδήποτε προειδοποίηση. Σε περίπτωση τροποποίησης, το δικαίωμα χρήστη δεν αποτελεί και δικαίωμα πρόσβασης σε δωρεάν ενημερώσεις.

## Ισχύον δίκαιο

Αυτή η άδεια διέπεται από το γαλλικό δίκαιο. Οποιαδήποτε διαφωνία μετά από ερμηνεία ή εκτέλεση αυτής της άδειας θα υποβληθεί στα Δικαστήρια των Παρισίων.

Λαμβάνοντας υπόψη την συνεχή ανάπτυξη της τεχνολογίας, ο κατασκευαστής διατηρεί το δικαίωμα να τροποποιήσει τις τεχνικές προδιαγραφές που δηλώνονται γι' αυτό το προϊόν, οποιαδήποτε στιγμή, χωρίς προειδοποίηση, και/ή να σταματήσει την κατασκευή του προϊόντος. Όλα τα ονόματα προϊόντων και μαρκών που θα μπορούσαν να αποτελούν εμπορικά σήματα κατατεθέντα από τους αντίστοιχους ιδιοκτήτες τους αναγνωρίζονται στο παρόν έγγραφο.

## Σήματα κατατεθέντα

Λαμβάνοντας υπόψη την συνεχή ανάπτυξη της τεχνολογίας, ο κατασκευαστής διατηρεί το δικαίωμα να τροποποιήσει τις τεχνικές προδιαγραφές που δηλώνονται γι' αυτό το προϊόν, οποιαδήποτε στιγμή, χωρίς προειδοποίηση, ή/και να σταματήσει την κατασκευή του προϊόντος. Το Companion Suite Pro είναι σήμα κατατεθέν της Sagem Communications.

Το Adobe® και τα προϊόντα Adobe® στα οποία γίνεται αναφορά στο παρόν αποτελούν σήματα κατατεθέντα της Adobe Systems Incorporated.

Το PaperPort9SE αποτελεί σήμα κατατεθέν της ScanSoft.

Τα Microsoft® Windows 2000®, Microsoft® Windows Server 2003®, Microsoft® Windows XP®, Microsoft® Windows Vista® , και οποιοδήποτε άλλο προϊόν Microsoft® στο οποίο γίνεται αναφορά στο παρόν αποτελούν σήματα κατατεθέντα της Microsoft Corporation καταχωρημένα και/ή χρησιμοποιούμενα στις Ηνωμένες Πολιτείες και/ή άλλες χώρες.

Όλες οι άλλες μάρκες ή τα προϊόντα που αναφέρθηκαν ως παραδείγματα ή προκειμένου να δοθούν πρόσθετες πληροφορίες αποτελούν σήματα κατατεθέντα των αντίστοιχων ιδιοκτητών τους.

Οι πληροφορίες που περιέχονται στο παρόν εγχειρίδιο χρήσης υπόκεινται σε αλλαγή χωρίς προειδοποίηση.

## Απαγόρευση αναπαραγωγής

---

Απαγορεύεται η δημιουργία αντιγράφων ή η εκτύπωση οποιουδήποτε στοιχείου για το οποίο η αναπαραγωγή είναι απαγορευμένη δια του νόμου.

Η αντιγραφή ή η εκτύπωση των παρακάτω στοιχείων γενικά απαγορεύεται από το εκάστοτε τοπικό δίκαιο:

- χαρτονομισμάτων
- επιταγών
- ομολόγων
- αποδεικτικών κυριότητας μετοχών
- τραπεζικών επιταγών
- διαβατηρίων
- αδειών οδήγησης.

Ο προηγούμενος κατάλογος προορίζεται μόνο ως οδηγός και δεν εξαντλεί όλα τα στοιχεία. Εάν υπάρχουν οποιοσδήποτε απορίες σχετικά με την νομιμότητα αντιγραφής ή εκτύπωσης ορισμένων στοιχείων, αναζητήστε νομική συμβουλή.

<b>ИНСТРУКЦИИ ПО БЕЗОПАСНОСТИ</b>	<b>167</b>
<b>Уважаемый клиент!</b>	<b>167</b>
<b>Безопасность</b>	<b>167</b>
<i>Инструкции по безопасности</i>	167
<i>Электромагнитная совместимость</i>	168
<i>Примечание для пользователей в США</i>	168
<i>Заявление о соответствии</i>	168
<i>Электромагнитная совместимость для Канады</i>	168
<i>Информация по обеспечению безопасности при работе лазера</i>	168
<i>Для Европы/Азии</i>	169
<i>Для Северной Америки</i>	169
<i>Регулятивная информация</i>	169
<i>Сертификации в Европе</i>	169
<i>Положения символов безопасности на аппарате</i>	170
<i>Символы переключателя питания</i>	170
<b>Установка</b>	<b>171</b>
<i>Условия выбора места установки аппарата</i>	171
<i>Условия размещения аппарата</i>	171
<i>Информация по обеспечению безопасности</i>	172
<i>Безопасность во время эксплуатации</i>	172
<i>Электропитание</i>	173
<i>Правила использования символов</i>	173
<b>Окружающая среда</b>	<b>174</b>
<i>Упаковка</i>	174
<i>Батареи и зарядные устройства</i>	174
<i>Изделие</i>	174
<b>Лицензия на использование программного оборудования</b>	<b>174</b>
<i>Определение</i>	174
<i>Лицензия</i>	174
<i>Собственность</i>	175
<i>Продолжительность</i>	175
<i>Гарантия</i>	175
<i>Ответственность</i>	175
<i>Усовершенствования</i>	175
<i>Применимый закон</i>	175
<i>Зарегистрированные торговые марки</i>	176
<i>Запрет на воспроизведение</i>	176

# ИНСТРУКЦИИ ПО БЕЗОПАСНОСТИ

## Уважаемый клиент!

Покупая этот многофункциональный аппарат, Вы выбрали изделие высокого качества. Ваш аппарат соответствует многочисленным техническим требованиям, предъявляемым к современному офисному оборудованию.

Этот аппарат позволяет выполнять цветное сканирование, отправлять факсы, распечатывать документы, а также производить черно-белое копирование документов (**pagepro 1480MF**). Вы можете подсоединить многофункциональный аппарат к персональному компьютеру (работающему в системе Microsoft Windows 2000/XP/Vista).

Установите соответствующее программное обеспечение, чтобы использовать аппарат в качестве принтера. Также с помощью персонального компьютера Вы можете сканировать, редактировать и сохранять документы. При использовании аппарата для беспроводной работы с компьютером, Вы должны воспользоваться адаптером Wireless Local Area Network (WLAN) (адаптер не входит в поставку).

WLAN является опцией, и работает исключительно с конкретным адаптером, который Вы можете приобрести у Вашего дистрибьютора.

### **pagepro 1480MF:**

Многофункциональный аппарат позволяет подсоединить базу USB-DECT к одному из USB-портов аппарата, и зарегистрировать на этой базе трубки DECT. Вы можете звонить и принимать вызовы зарегистрированными трубками DECT с помощью телефонной линии многофункционального аппарата (стандартное использование беспроводного телефона).

Речевая связь является опцией, и работает исключительно с конкретным ключом USB DECT, который Вы можете приобрести у Вашего дистрибьютора.

Данное оборудование является развитым и простым в использовании благодаря своему навигатору и многофункциональному интерфейсу.

Многофункциональные аппараты MFP Laser оборудованы сканером с разрешением 600 dpi и черно-белым принтером со скоростью печати 20 стр/мин. Входящее с комплект поставки программное обеспечение Companion Suite Pro позволяет использовать Ваш многофункциональный аппарат в качестве сканера и принтера при подключении к персональному компьютеру. Кроме того, данное программное обеспечение дает возможность управлять аппаратом.

## Безопасность

### *Инструкции по безопасности*

---

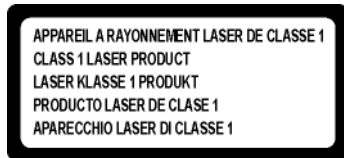
До подключения Вашего аппарата, проверьте, чтобы розетка, к которой Вы будете подключать данное оборудование, соответствовала требованиям, указанным на шильдике аппарата (электрическое напряжение, сила тока, частота). Данный аппарат должен подключаться к однофазной электрической сети. Нельзя устанавливать аппарат непосредственно на земле.

Батарейки, зарядные устройства, упаковка, электрическое и электронное оборудование (EEE) должны утилизироваться в соответствии с инструкциями, приведенными в главе "Окружающая среда" этого руководства.

В силу особенностей модели аппарата, вилка сетевого кабеля аппарата является единственным средством, позволяющим отключиться от электрической сети, поэтому необходимо соблюдать следующие правила предосторожности: ваш аппарат должен быть подключен к розетке, находящейся близко от места расположения аппарата. Розетка должна располагаться в легкодоступном месте.

Ваш аппарат поставляется в комплекте с сетевым шнуром, снабженным вилкой с заземлением. Вилка сетевого шнура должна подключаться к розетке, имеющей заземление, соединенное с защитным заземлением всего здания.





Ремонтные работы и техническое обслуживание: Ремонтные работы и техническое обслуживание должны производиться только квалифицированным специалистом. Пользователь не должен проводить ремонт внутренних частей аппарата. Во избежание опасности поражения электрошоком, нельзя самостоятельно проводить подобные процедуры, так как открытие или съем панелей может представлять собой двойную опасность, а именно:

- Попадание лазерного луча в глаз может вызвать необратимые поражения глаз.
- Контакт с частями, находящимися под напряжением, может вызвать электрический шок с тяжелыми последствиями.

## Электромагнитная совместимость

### Примечание для пользователей в США

Это оборудование было протестировано и результатом явилось соответствие требованиям к цифровому устройству класса В части 15 норм FCC. Эти требования были разработаны для обеспечения защиты от опасных помех в случае домашней установки.

Это оборудование вырабатывает, использует и может излучать радиочастотную энергию и в случае, если установлено и используется не в соответствии с инструкциями, может стать причиной опасных помех радиосвязи. Однако нет гарантии, что помехи не возникнут при отдельной установке.

Если данное оборудование причиняет опасные помехи радио- и телевизионному приему, которые можно определить выключением и включением оборудования, пользователь может попытаться устранить помехи принятием следующих мер:

- 1 Переместить принимающую антенну.
- 2 Увеличить расстояние между оборудованием и приемником.
- 3 Подключить оборудование к выходу в сетке, отличной от той, к которой подключен приемник.
- 4 Проконсультироваться с агентом по продаже или пригласить радио / ТВ техника помочь.

### Заявление о соответствии

Это устройство соответствует Части 15 Правил FCC. При эксплуатации должны выполняться следующие условия:

1. Это устройство не производит недопустимых помех, и
2. это устройство должно допускать любые принимаемые помехи, включая помехи, которые могут привести к нежелательной работе.

### Электромагнитная совместимость для Канады

Этот цифровой аппарат класса "В" соответствует канадским нормам ICES-003.

Cet appareil numérique de la classe B est conforme à la norme NMB-003 du Canada.

## Информация по обеспечению безопасности при работе лазера

**ПРЕДОСТЕРЕЖЕНИЕ:** Использование средств управления, регулировок или выполнение процедур, отличное от инструкций, приведенных в этом руководстве, может привести к опасному световому воздействию.

Это оборудование соответствует международным стандартам по обеспечению безопасности, и классифицируется как лазерный продукт класса 1.

Относительно использования лазера, оборудование соответствует стандартам для лазерных продуктов, установленным правительственными, национальным и международными органами, как лазерный продукт класса 1. Оно не испускает опасное световое излучение, поскольку луч полностью закрыт на всех этапах эксплуатации и технического обеспечения, выполняемых пользователем.

## Для Европы/Азии

Этот аппарат соответствует требованиям стандарта IEC 60825-1:1993+A1:1997+A2:2001 и является лазерным устройством класса 1, безопасным для использования в офисах для электронной обработки данных. Этот аппарат содержит один лазерный диод класса 3B, 10,72 мВт максимум, с длиной волны 770 – 795 нм и другие светодиоды класса 1 (280 мВт, с длиной волны 639 нм).

Непосредственный (или косвенно отраженный) визуальный контакт с лазерным лучом может привести к серьезному повреждению глаза. Меры предосторожности в обеспечение безопасности, как и соединенные механизмы, разработаны, чтобы предотвратить подвергание оператора воздействию лазерного луча.

## Для Северной Америки

Нормы CDRH

Это оборудование соответствует требованиям стандартов рабочих характеристик FDA для лазерных устройств, за исключением отступлений в соответствии с Извещением о лазерных устройствах № 50 от 24 июня 2007 г. Это оборудование содержит один лазерный диод класса 3B, 10,72 мВт, с длиной волны 770 – 795 нм и другие светодиоды класса 1 (280 мВт, с длиной волны 639 нм).

Это оборудование не излучает опасного света, т.к. луч полностью замкнут в корпусе в течение всех режимов работы и техобслуживания для потребителей.

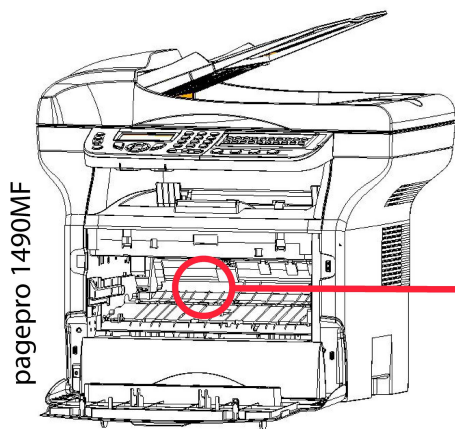
## Регулятивная информация

### Сертификации в Европе

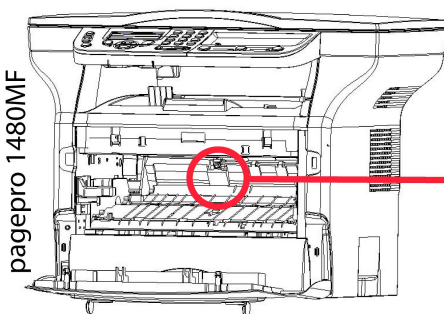
<b>Европейский Союз (CE)</b>	Маркировка CE на этом продукте означает декларацию соответствия со следующими применимыми Директивами Европейского Союза на указанную дату:
<b>12 декабря 2006 г.:</b>	Директива Совета 2006/95/ЕС с изменениями. Адаптация законодательства стран-членов, относящаяся к низковольтному оборудованию.
<b>15 декабря 2004 г.:</b>	Директива Совета 2004/108/ЕС с изменениями. Адаптация законодательства стран-членов, относящаяся к электромагнитной совместимости.
<b>9 марта 1999 г.:</b>	Директива Совета 99/5/ЕС, о радиооборудовании и телекоммуникационном терминальном оборудовании и взаимном признании соответствия.

## Положения символов безопасности на аппарате

Для обеспечения безопасности наклейки с предупреждениями расположены на аппарате в соответствии с нижеприведенной схемой. В целях безопасности не касайтесь этих поверхностей при извлечении застрявшей бумаги или во время замены картриджа тонера.



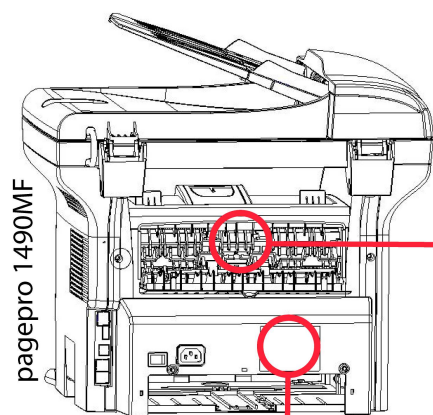
pagepro 1490MF



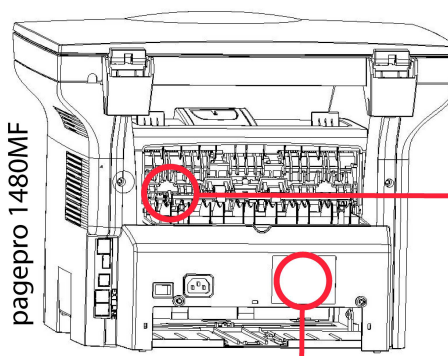
pagepro 1480MF



<b>CAUTION</b>	Hot surface avoid contact
<b>ATTENTION</b>	Surface chaude Évitez tout contact
<b>ACHTUNG</b>	Heiße Oberfläche Kontakt vermeiden
<b>ATTENZIONE</b>	Superficie calda Evitare il contatto
<b>PRECAUCIÓN</b>	No tocar. Zona muy caliente.
<b>VOORZICHTIG</b>	Heet oppervlak vermijd contact
<b>FÖRSIKTIGT</b>	Het yta. Rör ej.
<b>FORSIGTIG</b>	Varm overflade, undgå berøring
<b>FORSIKTIG</b>	Varm overflate, unngå kontakt
<b>OSTRZEŻENIE</b>	Gorąca powierzchnia nie dotykac
<b>CUIDADO</b>	Superficie quente Evitar contacto
<b>POZOR</b>	Horký povrch nedotýkat se
<b>FIGYELEM</b>	Ne érintse meg a forró felületeket!
<b>TÄRKEÄÄ</b>	Kuuma pinta älä koske.
<b>ОСТОРОЖНО</b>	Горячая поверхность Избегайте контакта
<b>注意</b>	表面高温、请勿接触。
<b>注意</b>	表面高温請勿碰觸
<b>고온주의</b>	표면이 뜨거우므로 만지지 않도록 주의하십시오.
<b>注意</b>	表面が熱くなっていますので触らないでください。



pagepro 1490MF



pagepro 1480MF



APPAREIL A RAYONNEMENT LASER DE CLASSE 1  
CLASS 1 LASER PRODUCT  
LASER KLASSE 1 PRODUKT  
PRODUCTO LASER DE CLASE 1  
APARECCHIO LASER DI CLASSE 1

APPAREIL A RAYONNEMENT LASER DE CLASSE 1  
CLASS 1 LASER PRODUCT  
LASER KLASSE 1 PRODUKT  
PRODUCTO LASER DE CLASE 1  
APARECCHIO LASER DI CLASSE 1

## Символы переключателя питания

В соответствии со стандартами IEC 60417, аппарат использует следующие символы переключателя питания:

- означает ВКЛ.
- Означает ВЫКЛ.

# Установка

## Условия выбора места установки аппарата

Выбирая соответствующее место для установки Вашего аппарата, Вы способствуете продлению срока службы этого оборудования. Проверьте, чтобы выбранное место обладало следующими характеристиками:

- Выберите хорошо вентилируемое помещение.
- Не заграждайте посторонними предметами вентиляционные решетки, расположенные на левой и правой стороне аппарата. При установке поставьте аппарат на расстоянии 30 см от любых предметов, чтобы облегчить открытие корпусных панелей.
- Убедитесь, что на месте расположения аппарата не находятся источники аммиака или других органических газов.
- Заземленная розетка (см. правила предосторожности, изложенные в главе **Безопасность**), к которой Вы хотите подключить аппарат, должна находиться рядом с Вашим аппаратом и быть доступной.
- **Убедитесь, что на Ваш аппарат не попадают прямые солнечные лучи.**
- Не устанавливайте Ваш аппарат в зоне прохождения потоков воздуха, вызываемых работой кондиционеров, нагревательных и вентиляционных аппаратов, а также в зонах с перепадами температуры и влажности.
- Выберите твердую горизонтальную поверхность, на которой на аппарат не будет действовать сильная вибрация.
- **Устанавливайте аппарат вдали от предметов, которые могут загоразивать вентиляционные отверстия.**
- Не устанавливайте аппарат рядом с красками или другими легковоспламеняющимися предметами.
- Выберите место, где риски попадания воды или других жидкостей на аппарат будут минимальны.
- Убедитесь, что выбрано сухое, непыльное и чистое место.

## Условия размещения аппарата

Учитывайте меры предосторожности, изложенные ниже, при эксплуатации оборудования.

Условия окружающей среды:

- Температура: от 10 °C до 27 °C [от 50 °F до 80.6 °F] при влажности окружающей среды от 15 до 80% (до 32°C [89.6 °F] при влажности окружающей среды от 15 до 54%).

Многофункциональный аппарат:

Следующий раздел описывает меры предосторожности, которые следует принимать при эксплуатации аппарата:

- Во время печати никогда не отключайте аппарат от сети питания и не открывайте корпус аппарата.
- Никогда не используйте газ, горючие жидкости или предметы, способные вызывать возникновение магнитного поля вблизи аппарата.
- При отключении сетевого шнура всегда держитесь за вилку, а не тяните за провод. Поврежденный шнур представляет собой потенциальный источник пожара или электрического разряда.
- Никогда не прикасайтесь к сетевому шнуру мокрыми руками. Вы рискуете получить удар электрическим током.
- Перед перемещением центра всегда отключайте от питания сетевой шнур. В противном случае Вы рискуете повредить сетевой кабель и создать потенциальный источник пожара или электрического разряда.
- Всегда отключайте сетевой шнур от питания, если Вы намерены не использовать аппарат в течение продолжительного периода.
- Никогда не размещайте посторонние предметы на сетевом шнуре, не вытягивайте и не перегибайте его. Это может вызвать риск пожара или электрического разряда.
- Следите за тем, чтобы сетевой шнур и соединительные кабели другого оборудования не попадали под корпус аппарата. Следите также за тем, чтобы шнур и кабели не попадали внутрь механизма аппарата. В противном случае это может привести к сбоям в работе аппарата или к риску возникновения пожара.
- Убедитесь, что принтер подключен к сети питания до подключения кабеля интерфейса к принтеру

(используйте экранированный кабель интерфейса).

- Никогда не пытайтесь снять неподвижную панель или фиксированную крышку корпуса. Аппарат включает схемы высокого напряжения. Любой контакт с этими схемами может вызвать риск электрического разряда.
- Никогда не пытайтесь вносить изменения в конфигурацию аппарата. Это может вызвать риск пожара или электрического разряда.
- Всегда следите за тем, чтобы скрепки, скобы и другие мелкие металлические предметы не проникали в вентиляционные отверстия или другие открытые части аппарата. Это может вызвать риск пожара или электрического разряда.
- Избегайте попадания воды или другой жидкости в аппарат или в прилегающую к нему зону. Любое попадание воды или другой жидкости в аппарат может вызвать пожар или возникновение электрического разряда..
- Если жидкость или металлический предмет случайно попадет внутрь аппарата, немедленно выключите прибор, отсоедините сетевой шнур и обратитесь к поставщику аппаратуры. В противном случае Вы подвергаетесь риску возникновения пожара или электрического разряда.
- При появлении признаков аномального нагревания, дыма, необычных запахов или странных шумов выключите устройство, немедленно отсоедините его от сети питания, а затем обратитесь к поставщику аппарата. В противном случае Вы подвергаетесь риску возникновения пожара или электрического разряда.
- Избегайте использования аппарата во время грозы, та как в этом случае возникает риск разряда электрического тока, вызванного молнией.
- Никогда не перемещайте аппарат во время процесса печати.
- Если вы хотите переместить аппарат, приподнимите его.



Разместите аппарат в хорошо проветриваемом помещении. Работа принтера генерирует небольшое количество озона. В случае, если аппарат работает в интенсивном режиме и установлен в плохо проветриваемом помещении, возможно появление неприятного запаха. Для обеспечения надежной работы аппарата устанавливайте его в хорошо вентилируемом помещении.

## Информация по обеспечению безопасности

При использовании аппарата, всегда соблюдайте следующие меры безопасности.

### Безопасность во время эксплуатации

При описании используются следующие символы:

<b>ПРЕДУПРЕЖДЕНИЕ:</b>	<p>Указывает на потенциально опасную ситуацию, которая, если не соблюдаются инструкции, может привести к смертельному случаю или серьезной травме.</p>
<b>ПРЕДУПРЕЖДЕНИЕ:</b>	<p>Указывает на потенциально опасную ситуацию, которая, если не соблюдаются инструкции, может привести к травме легкой или средней степени тяжести, или материальному ущербу.</p>



### ПРЕДУПРЕЖДЕНИЕ

- Подсоединяйте шнур питания непосредственно к настенной сетевой розетке; никогда не используйте удлинитель.
- Отсоедините вилку питания (потянув за вилку, а не за кабель), если шнур питания или вилка изношены или имеют другое повреждение.
- Чтобы избежать опасного электрического удара или воздействия лазерного излучения, снимайте крышки или винты только в соответствии с Инструкциями по эксплуатации.
- Выключите питание и отсоедините вилку питания (потянув за вилку, а не за кабель) при наличии следующих условий:

- Пролив какого-либо вещества на продукт.
  - Вы предполагаете, что продукт требует обслуживания или ремонта.
  - Крышка продукта повреждена.
- Не сжигайте пролитый или отработанный тонер. Пыль тонера может загореться при воздействии открытого пламени.
  - Утилизацию можно выполнить у нашего уполномоченного дилера или в соответствующих местах сбора отходов.
  - Утилизируйте отработанный картридж с тонером (или бутылку) в соответствии с местными нормами.

### ПРЕДОСТЕРЕЖЕНИЕ

- Защищайте продукт от влаги или влажных условий окружающей среды, например, дождя, снега, и т.п.
- Выньте вилку шнура питания из стенной розетки перед перемещением продукта. При перемещении продукта следите за тем, чтобы шнур питания не попал под продукт и не повредился.
- При отсоединении вилки питания от стенной розетки, всегда тяните за вилку (а не за кабель).
- Следите за тем, чтобы бумажные скрепки, скобы и другие малые металлические предметы не упали внутрь продукта.
- Храните тонер (отработанный или рабочий), картридж с тонером (или бутылку), чернила (отработанные или рабочие) или чернильный картридж вне досягаемости их детьми.
- Будьте внимательны, чтобы не порезаться об острые края, когда Вы будете удалять неправильно поданные листы бумаги внутри аппарата.
- С целью охраны окружающей среды, не утилизируйте продукт или расходные материалы в месте сбора бытовых отходов. Утилизацию можно выполнить у нашего уполномоченного дилера или в соответствующих местах сбора отходов.
- Наши продукты разработаны по высоким стандартам качества и функциональности, и мы рекомендуем, чтобы Вы использовали расходные материалы, приобретенные только у уполномоченного дилера.

## Электроснабжение

---

Розетка должна быть установлена около продукта, и быть легко доступной.

## Правила использования символов

---

### ПРЕДУПРЕЖДЕНИЕ

Указывает на важные замечания, касающиеся безопасности.

Игнорирование этих замечаний может привести к серьезной травме или смертельному исходу. Прочитайте эти замечания. Они находятся в разделе Информация по обеспечению безопасности этого руководства.

### ПРЕДОСТЕРЕЖЕНИЕ

Указывает на важные замечания, касающиеся безопасности.

Игнорирование этих замечаний может привести к травме легкой или средней степени тяжести, материальному ущербу или повреждению аппарата. Прочитайте эти замечания. Они находятся в разделе Информация по обеспечению безопасности этого руководства.

# Окружающая среда

Защита окружающей среды является приоритетной задачей изготовителя. Изготовитель ставит целью выпускать оборудование, эксплуатация которого не будет причинять вреда окружающей среде, поэтому он выбрал систему, обеспечивающую защиту окружающей среды в течение всего срока службы изделий, как на стадии производства, так и на стадии эксплуатации и последующей утилизации.

## Упаковка



Наличие логотипа (зеленая точка) означает, что на счет национальной ведомственной организации компания перечислила взнос на улучшение инфраструктуры по утилизации и повторному использованию упаковочного материала.

Для облегчения процедуры рециркуляции, пожалуйста, соблюдайте правила по сортировке такого типа отходов.

## Батареи и зарядные устройства

Если Ваш аппарат содержит батареи или зарядные устройства, то при их замене использованные батарейки должны направляться на специализированный пункт по складированию таких отходов.

## Изделие



Наклейка с перечеркнутой корзиной означает, что данное оборудование принадлежит к категории электрических и электронных устройств.

В связи с этим европейские нормы предписывают проводить избирательную сортировку использованного оборудования, а именно:

- в случае покупки нового оборудования необходимо сдавать старое оборудование в специализированные пункты размещения отходов,
- либо размещать в местных пунктах сбора (местах сбора утиля, отдельный сбор и т.д.)

Таким образом, Вы будете участвовать в повторной обработке и утилизации Отходов Электрического и Электронного оборудования, что способствует защите окружающей среды и здоровья людей.

# Лицензия на использование программного оборудования

ВНИМАТЕЛЬНО ПРОЧИТЕ ВСЕ УСЛОВИЯ И ПОЛОЖЕНИЯ ДАННОЙ ЛИЦЕНЗИИ ДО ВСКРЫТИЯ КОНВЕРТА, СОДЕРЖАЩЕГО ПРОГРАММНОЕ ОБЕСПЕЧЕНИЕ. ОТКРЫТИЕ ДАННОГО КОНВЕРТА ОЗНАЧАЕТ ВАШЕ СОГЛАСИЕ НА ДАННЫЕ УСЛОВИЯ.

Если Вы не принимаете условия данной лицензии, то просим вернуть Вашему поставщику упаковку с DVD-ROM, не вскрывая ее, а также другие комплектующие данного изделия. Сумма, которую Вы заплатили за это изделие, будет Вам возвращена. Возврат суммы не будет произведен за изделия с нарушенной упаковкой CD-ROM, при недостатке комплектующих, а также в случае, если заявление о возврате суммы было подано по истечении десяти (10) дней от даты поставки, которая указывается в Вашей копии квитанции.

## Определение

Программное оборудование содержит программы и соответствующую документацию.

## Лицензия

- Данная лицензия позволяет Вам использовать программное оборудование на персональных компьютерах, подсоединенных к локальной сети. Вы имеете право использовать программное оборудование для печати

только на одном многофункциональном аппарате. Вы не можете передать право на пользование программным оборудованием третьим лицам.

- Вы имеете право сделать одну резервную копию данного обеспечения.
- Данную лицензию нельзя передать третьим лицам.

## **Собственность**

---

Изготовитель и его поставщики сохраняют за собой право собственности на программное обеспечение. Вы являетесь владельцем только DVD-ROM. Вы не можете изменять, адаптировать, декомпилировать, переводить, создавать производные продукты, сдавать в прокат или продавать программное обеспечение или документацию. Все права, которые не были намеренно переданы, являются собственностью изготовителя и его поставщиков.

## **Продолжительность**

---

Данная лицензия действительна вплоть до момента ее аннулирования. Вы можете аннулировать лицензию, уничтожив программу и документацию, а также все их копии. В случае, если Вы не соблюдаете условий данной лицензии, она будет автоматически аннулирована. При аннулировании лицензии, Вы обязуетесь уничтожить все копии программы и документации.

## **Гарантия**

---

Программное обеспечение поставляется в рабочем состоянии без какой-либо явной или подразумеваемой гарантии, а также без гарантии для использования в коммерческих целях или специальной эксплуатации. Все риски, относящиеся к результатам работы и техническим характеристикам программного обеспечения, принимает на себе покупатель. В случае, если программа окажется бракованной, все расходы по ремонту или по приведению программ в рабочее состояние, будет нести покупатель.

Тем не менее, обладатель данной лицензии имеет гарантию: Мы гарантируем, что диск DVD-ROM, на котором данное программное обеспечение записано, не имеет дефектов оборудования или изготовления при использовании его в нормальных условиях. Данная гарантия действует в течение девяноста (90) дней от даты поставки, которая указана в Вашей копии квитанции. В случае, если неисправность диска DVD-ROM будет вызвана небрежным обращением или неправильной эксплуатацией, диск не будет заменяться на основе данной гарантии.

## **Ответственность**

---

Единственная ответственность, которую несет на себе Ваш дистрибьютор - это замена диска DVD-ROM, не отвечающего гарантийным обязательствам, который будет возвращен производителю вместе с Вашей копией чека. Ни изготовитель, ни компании, участвовавшие в разработке, реализации, продаже и доставке этой программы не несут никакой ответственности за причиненный ущерб - физическое повреждение или нарушение работы программы, потерю информации, неисправности при эксплуатации, потерю прибыли, клиентов в результате использования или невозможности использования данной программы (данный перечень не является исчерпывающим).

## **Усовершенствования**

---

В целях постоянного улучшения программы, изготовитель оставляет за собой право изменять характеристики программного обеспечения без предварительного уведомления. В случае внесения таких изменений, Ваши права пользователя не предоставляют Вам прав на бесплатное обновление программы.

## **Применимый закон**

---

Правовое регулирование данной лицензии осуществляется в рамках французского законодательства. Любые расхождения, связанные с пониманием или выполнением данной лицензии, будут рассматриваться в судебных инстанциях Парижа.

Учитывая постоянное техническое совершенствование технологии, изготовитель оставляет за собой право в любой момент изменять технические характеристики данного продукта без предварительного уведомления и/или приостановить выпуск данной продукции. В данной документации соблюдаются все наименования изделий и торговых марок, официально зарегистрированных владельцами.



## Зарегистрированные торговые марки

---

Учитывая постоянное техническое совершенствование своих продуктов, изготовитель оставляет за собой право изменять заявленные технические характеристики данного изделия и/или прекратить выпуск данного изделия. Companion Suite Pro является зарегистрированной торговой маркой компании Sagem Communications.

Adobe® и указываемые наименования продуктов Adobe® являются зарегистрированными торговыми марками компании Adobe Systems Incorporated.

PaperPort11SE является запатентованной маркой компании ScanSoft.

Microsoft® Windows 2000®, Microsoft® Windows Server 2003®, Microsoft® Windows XP®, Microsoft® Windows Vista® а также любые другие продукты Microsoft® являются торговыми марками компании Microsoft Corporation, зарегистрированными в США и/или в других странах.

Все другие торговые марки или наименования, упоминаемые в качестве примеров или для информации, являются торговыми марками, зарегистрированными соответствующими владельцами.

Информация, содержащаяся в данной инструкции по эксплуатации, может быть изменена без предварительного уведомления.

## Запрет на воспроизведение

---

Никогда не копируйте и не распечатывайте документы, воспроизведение которых запрещено законом.

Печать и копирование следующих документов обычно запрещено законом:

- банковские купюры;
- чеки;
- облигации;
- депозитные сертификаты;
- облигации займа;
- паспорта;
- водительские права.

Данный перечень приведен в качестве справочной информации и не является исчерпывающим. Если у Вас возникнут вопросы, относящиеся к законности копирования или печати определенных документов, обращайтесь к юридическому консультанту.

<b>INSTRUCTIUNI DE SIGURANTA</b>	<b>178</b>
<b>Stimate cumparator</b>	<b>178</b>
<b>Siguranta</b>	<b>178</b>
<i>Instructiuni de siguranta</i>	178
<i>EMC</i>	179
<i>Pentru utilizatorii din Statele Unite</i>	179
<i>Declaratie de conformitate</i>	179
<i>Conformitate EME pentru Canada</i>	179
<i>Informatii de siguranta pentru laseri</i>	179
<i>Pentru Europa/Asia</i>	180
<i>Pentru America de Nord</i>	180
<i>Informatii legale</i>	180
<i>Certificari in Europa</i>	180
<i>Localizarea etichetelor de siguranta pe aparat</i>	181
<i>Simboluri pentru comutatorul principal</i>	181
<b>Instalare</b>	<b>182</b>
<i>Conditii locale</i>	182
<i>Precautii la utilizare</i>	182
<i>Informatii despre siguranta</i>	183
<i>Siguranta intimpul exploatarii</i>	183
<i>Alimentare</i>	184
<i>Reguli pentru simboluri</i>	184
<b>Mediul inconjurator</b>	<b>184</b>
<i>Ambalajul</i>	184
<i>Baterii si baterii reincarcabile</i>	184
<i>Produsul</i>	184
<b>Contract de licenta pentru software</b>	<b>185</b>
<i>Definitie</i>	185
<i>Licenta</i>	185
<i>Proprietate</i>	185
<i>Durata</i>	185
<i>Garantie</i>	185
<i>Responsabilitate</i>	185
<i>Dezvoltare</i>	185
<i>Lege aplicabila</i>	186
<i>Marci inregistrate</i>	186
<i>Reproduceri prohibite</i>	186

# INSTRUCTIUNI DE SIGURANTA

## Stimate cumparator

La cumpararea acestui aparat multifunctional, ati ales un produs de calitate. Acest dispozitiv va satisface toate cerintele unui birou modern.

Acest aparat va permite sa scanati color, sa trimiteti faxuri, sa tipariti si sa copiatii in alb-negru (**pagepro 1490MF**). Puteti conecta aparatul multifunctional la calculatorul dumneavoastra (Microsoft Windows 2000/XP/Vista).

Puteti instala programul inclus pentru a folosi multifunctionala ca imprimanta. In plus, puteti scana, modifica si salva documentele in calculatorul dumneavoastra. Daca aveti un adaptor WLAN (optional) puteti realiza o comunicare wireless intre aparat si calculator.

WLAN este optional si functioneaza doar cu un adaptor specific pe care il puteti obtine de la magazinul de la care ati cumparat aparatul. Puteti gasi informatii detaliate pe pagina noastra de internet: [www.sagem-communications.com](http://www.sagem-communications.com).

### **pagepro 1490MF:**

Aparatul multifunctional va permite sa conectati o baza USB-DECT la unul dintre porturile USB ale aparatului prin care puteti inregistra un terminal telefonic DECT. Vetii putea atunci efectua convorbiri telefonice prin terminalele DECT folosind linia telefonica a aparatului multifunctional (cablu telefonic standard).

Comunicarea telefonica este optionala si functioneaza doar cu ajutorul unui receptor specific USB DECT pe care il puteti obtine de la magazin. Puteti gasi informatii detaliate pe pagina noastra de internet: [www.sagem-communications.com](http://www.sagem-communications.com).

Datorita functiilor de navigare si accesului multitasking, aparatul este puternic, usor de folosit si orientat spre utilizator.

Aparatele multifunctionale MFP Laser au în dotare un scanner de 600 dpi si o imprimanta cu laser alb-negru care are o viteza de imprimare de 20 ppm. Software-ul Companion Suite va permite sa folositi aparatul multifunctional drept scanner sau imprimanta atasate calculatorului dumneavoastra. Va ofera de asemenea posibilitatea de a controla aparatul multifunctional.

## Siguranta

### *Instructiuni de siguranta*

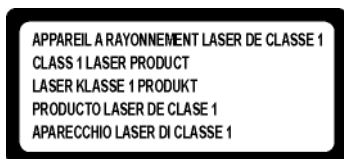
---

Inainte de a porni aparatul, verificati ca priza la care il conectati se conformeaza indicatiilor prezentate pe placuta cu informatii, localizata pe aparat (intensitatea curentului, tensiune, frecventa retelei). Acest aparat trebuie conectat la o retea monofazica. Aparatul nu trebuie sa fie instalat pe sol.

Toate bateriile si bateriile reincarcabile, ambalajele si echipamentul electric si electronic vor trebui aruncate numai dupa cum este specificat in instructiunile din sectiunea MEDIU INCONJURATOR din acest manual.

Datorita designului acestui model, cablul de alimentare reprezinta singura modalitate de debranaare de la retea, motiv pentru care este important sa fie aplicate urmatoarele masuri de siguranta: aparatul dumneavoastra trebuie conectat la o priza localizata in apropiere. Priza trebuie sa fie usor accesibila.

Aparatul este livrat cu un cablu de alimentare cu impamantare. Este foarte importanta conectarea la o priza cu impamantare.



**Reparatii - intretinere:** Reparatiile si intretinerea trebuie efectuate numai de catre un tehnician calificat. In interiorul aparatului nu exista parti care sa poate fi reparate de catre utilizator. Pentru a reduce riscul electrocutarilor, nu veti demara astfel de activitati de reparatie, deoarece, prin deschiderea sau inlaturarea capacelor, va puteti expune la doua clase de pericole:

- Fasciculul laser poate cauza rani ireversibile ochilor.
- Evitati contactul cu partile sub tensiune deoarece exista pericol de electrocutare cu consecinte dintre cele mai nefericite.

## EMC

### Pentru utilizatorii din Statele Unite

Acest echipament a fost testat si se incadreaza in limitele dispozitivelor digitale Clasa B, conform Partii 15 din Regulamentul FCC. Aceste limite au fost stabilite pentru a furniza protectie impotriva interferentelor daunatoare la instalatiile rezidentiale.

Acest echipament genereaza, foloseste si poate radia energie de radio frecventa si daca nu este instalat si folosit conform instructiunilor, poate cauza interferente daunatoare comunicatiilor radio. In orice caz, nu exista garantii ca interferentele nu se vor produce la nicio instalatie.

Daca acest echipament provoaca interferente daunatoare receptiei radio si tv, lucru ce poate fi determinat prin oprirea si repornirea echipamentului, utilizatorul este incurajat sa incerce sa corecteze interferenta printr-una sau mai multe dintre urmatoarele masuri:

1. Reorientati sau mutati antena de receptie.
2. Cresteti separarea dintre echipament si receptor.
3. Conectati echipamentul la o priza dintr-un circuit electric diferit de cel din care face parte priza la care este conectat receptorul.
4. Consultati distribuitorul sau un tehnician radio-TV pentru ajutor.

### Declaratie de conformitate

Acest dispozitiv este conform cu normele Partii 15 din Regulamentul FCC. Operarea acestuia se supune urmatoarelor doua conditii:

1. Acest dispozitiv poate cauza interferente daunatoare, si
2. acest dispozitiv trebuie sa accepte orice interferenta primita, incluzand intereferentele care pot cauza o functionare nedorita.

### Conformitate EME pentru Canada

Acest aparat digital clasa "B" este conform cu ICES-003.

Acest aparat digital clasa "B" este conform cu norma NMB-003.

### Informatii de siguranta pentru laseri

**ATENTIE:** Utilizarea, reglarea sau efectuarea unor proceduri diferite de cele specificate in acest ghid pot avea drept consecinte expunerea la lumina periculoasa.

Acest echipament se supune standardelor internationale de siguranta si este clasificat ca fiind un produs cu laser de Clasa 1.

Cu privire la laseri, echipamentul este conform standardelor de performanta impuse de agentile guvernamentale, nationale si internationale pentru produsele ce folosesc laseri de Clasa 1. Nu emite lumina periculoasa, din moment ce fasciculul este inchis in intregime de-a lungul tuturor fazelor de operare si intretinere.

## Pentru Europa/Asia

---

Acest aparat este conform cu standardele IEC 60825-1:1993+A1:1997+A2:2001 si este clasificat ca fiind un produs cu laser de clasa 1 si este sigur pentru utilizarea in birouri. Contine o dioda laser de clasa 3B, cu putere maxima de 10.72 mW, lungime de unda de 770-795 nm ai alte LED-uri de clasa 1 (280  $\mu$ W la 639 nm).

Contactul ochiului cu raza laser direct (sau indirect, prin reflexie) poate rani ochiul. Pentru prevenirea oricarei expuneri la lumina laserului au fost proiectate mecanisme de blocare si de siguranta.

## Pentru America de Nord

---

Regulamentele CDRH.

Acest echipament este conform cu standardele de performanta ale FDA pentru produse cu laseri cu exceptiile stipulate in Laser Notice No.50, din data de 24 iunie 2007 si contine o dioda laser de clasa 3B, cu putere maxima de 10.72 mW, lungime de unda de 770-795 nm ai alte LED-uri de clasa 1 (280  $\mu$ W la 639 nm).

Acest echipament nu emite lumina periculoasa, din moment ce fasciculul este inchis in intregime de-a lungul tuturor fazelor de operare si intretinere

## Informatii legale

---

### Certificari in Europa

---

**CE** Simbolul CE aplicat acestui produs reprezinta declaratia de conformitate cu urmatoarele Directive ale Uniunii Europene aplicabile incepând cu datele indicate :

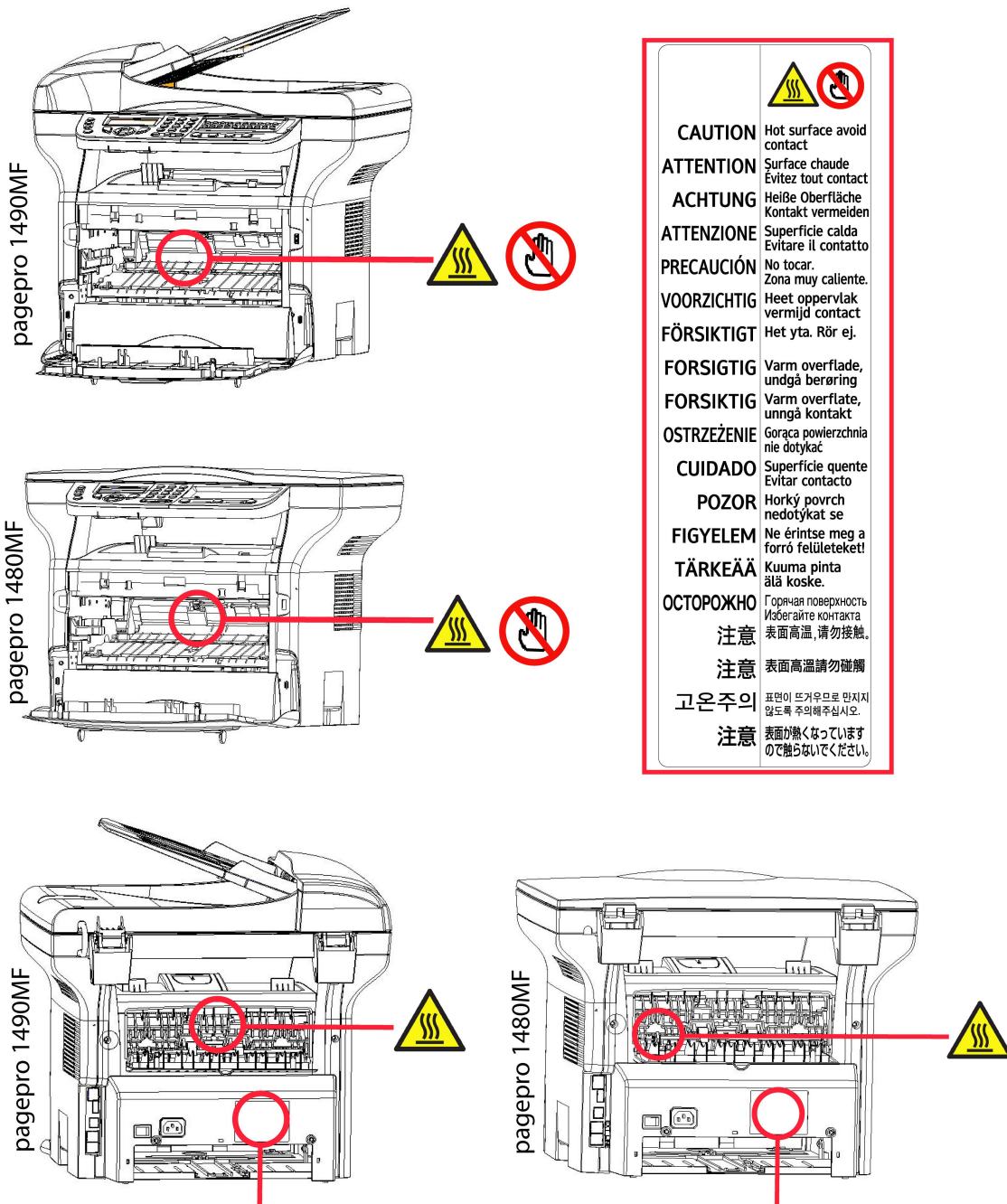
**Decembrie 12, 2006:** Directiva Consiliului 2006/95/EC amendata. Apropierea legilor tarilor membre cu referire la echipamentul de joas? tensiune.

**Decembrie 15, 2004:** Directiva Consiliului 2004/108/EC amendata. Apropierea legilor tarilor membre referitoare la compatibilitatea electromagnetica.

**Martie 9, 1999:** Directiva Consiliului 99/5/EC, asupra echipamentului radio si pentru telecomunicatii si recunoasterea reciproca a conformitatii.

## Localizarea etichetelor de siguranta pe aparat

Acest aparat contine etichete de avertisment localizate in pozitiile semnalate mai jos. Pentru siguranta dumneavoastra, nu trebuie sa atingeti aceste etichete niciodata atunci cand inlaturati un blocaj al hartiei sau cand inlocuiti cartusul de toner.



## Simboluri pentru comutatorul principal

Conform IEC 60417, acest aparat foloseste urmatoarele simboluri pentru comutatorul principal:

- inseamna PORNIT.
- inseamna OPRIT.

# Instalare

## Conditii locale

---

Prin alegerea unui amplasament potrivit, puteti prelungi durata de functionare a aparatului. Verificati daca amplasamentul are urmatoarele caracteristici:

- Alegeti un amplasament bine ventilat.
- Asigurati-va ca sitele de ventilare ale aparatului nu stau obstructionate. In timpul instalarii, asigurati-va ca aparatul este plasat la 30 de centimetri distanta de obiectele inconjuratoare, astfel incat toate capacele sa poata fi deschise cu usurinta.
- Asigurati-va ca acest amplasament nu contine amoniac si nici alte gaze organice.
- Priza (consultati notele despre siguranta din capitolul **Siguranta**) la care veti conecta aparatul trebuie sa fie in apropierea acestuia si trebuie sa fie usor de accesat.
- **Asigurati-va ca aparatul nu este expus direct la soare.**
- Asigurati-va ca aparatul nu este expus direct unui curent de aer provenit de la un aparat de aer conditionat, incalzire sau ventilare, si nici intr-un loc in care exista variatii mari de temperatura si umiditate.
- Alegeti o suprafata solida, orizontala pe care aparatul nu va simti vibratii puternice.
- **Tineti aparatul la distanta de orice obiecte care ar putea obstructiona accesul la gurile de ventilatie.**
- Nu puneti aparatul in apropierea obiectelor inflamabile.
- Alegeti o locatie in care scurgerile de lichide sunt limitate.
- Asigurati-va ca amplasamentul este uscat, curat si fara praf.

## Precautii la utilizare

---

Luati in considerare urmatoarele precautii la utilizarea aparatului.

### Mediul de lucru:

- Temperatura: 10 °C pana la 27 °C [50 °F pana la 80.6 °F] cu umiditate ambientala intre 15 si 80% (pana la 32°C [89.6 °F] cu umiditate ambientala intre 15 si 54%).

### Terminal:

Sectiunea de mai jos descrie precautiile care trebuie luate in considerare la utilizarea aparatului:

- Nu opriti niciodata aparatul si nu deschideti niciodata capacele in timpul tiparii.
- Nu utilizati niciodata benzina sau lichide inflamabile sau obiecte generatoare de incendiu sau de campuri magnetice in apropierea aparatului.
- Cand scoateti din priza cablul de alimentare, tineti intotdeauna de conector si nu trageți de cablu. Un cablu avariat poate prezenta pericol de incendiu sau de electrocutare.
- Nu atingeti niciodata cablul de alimentare cu mainile ude. Riscati sa va electrocutati.
- Intotdeauna scoateti aparatul din priza inainte de a-l muta. Altfel, riscati sa distrugeti cablul si sa generati pericol de incendiu sau de electrocutare.
- Intotdeauna scoateti aparatul din priza cand planuiti sa nu-l folositi pe perioade lungi de timp.
- Nu puneti niciodata obiecte pe cablul de alimentare si nici nu-l incolaciti. Poate genera pericol de incendiu sau de electrocutare.
- Asigurati-va intotdeauna ca aparatul nu sta pe cablul de alimentare sau pe orice alt cablu. Asigurati-va, de asemenea, ca nici un cablu nu este introdus in mecanismele interioare ale aparatului. Acest lucru ar putea conduce la functionare defectuoasa si la pericole de incendiu.
- Asigurati-va ca imprimanta este deconectata de la priza inaintea conectarii sau deconectarii cablului de interfata a imprimantei (folositi un cablu izolat).
- Nu incercati niciodata sa inlaturati un capac fix sau panou fix. Aparatul contine circuite de inalta tensiune. Orice contact cu aceste circuite pot cauza electrocutare.
- Nu incercati niciodata sa modificati aparatul. Ar putea cauza pericol de incendiu sau pericol de electrocutare.
- Intotdeauna asigurati-va ca nu exista clame, capse sau alte obiecte mici metalice in interiorul masinii. Astfel de obiecte pot crea pericole de incendiu sau electrocutare.

- Impiedicati apa sau orice alte lichide sa se scurga pe aparat sau in apropierea acestuia. Orice contact al aparatului cu apa sau lichidul poate cauza pericol de incendiu sau de electrocutare.
- Daca lichide sau obiecte metalice patrund din greseala in interiorul aparatului, opriti-l imediat, scoateti-l din priza, si contactati distribuitorul. Altfel, exista pericole de incendiu si electrocutare.
- In cazul in care apare fum sau miros neobisnuit sau zgomote neobisnuite, opriti aparatul, scoateti-l din priza, si contactati distribuitorul. Altfel, exista pericole de incendiu si electrocutare.
- Evitati folosire in timpul unei "furtuni electrice". Aceasta poate cauza pericol de electrocutare din cauza fulgerelor.
- Nu mutati niciodata aparatul in timpul tiparii.
- Intotdeauna ridicati aparatul atunci cand doriti sa-l mutati.





Asigurati-va ca plasati aparatul in locuri bine ventilate. In timpul operarii, imprimanta genereaza o cantitate mica de ozon. Un miros neplacut poate veni din imprimanta atunci cand este folosita intensiv in locuri prost ventilate. Pentru o utilizare sigura, asigurati-va ca aparatul se afla in locuri bine ventilate.

## Informatii despre siguranta

In timpul utilizarii aparatului, urmatoarele precautii trebuie luate in seama intotdeauna.

### Siguranta intimpul exploatarei

Urmatoarele simboluri sunt folosite:

 <b>WARNING:</b>	Indica o situatie potential periculoasa care poate rezulta in deces sau rani grave, daca nu sunt urmate instructiunile.
 <b>CAUTION:</b>	Indica o situatie potential periculoasa care poate rezulta in rani minore sau mai putin grave sau pagube materiale, daca nu sunt respectate instructiunile.

#### **WARNING**

- Conectati cablul de alimentare direct la priza din perete si nu printr-un prelungitor.
- Deconectati stecherul din priza (nu trageți de cablu) in cazul in care cablul sau stecherul se deterioreaza sau se ard.
- Pentru a evita socurile electrice periculoase sau expunerea la laser, nu inlaturati nici un capac sau surub in afara celor specificate in instructiunile de operare.
- Opriti aparatul si deconectati stecherul daca una dintre urmatoarele conditii exista:
  - Varsati ceva pe aparat.
  - Suspectati ca aparatul are nevoie de reparatii.
  - Capacul aparatului a fost deteriorat.
- Nu incinerati tonerul varsat sau folosit. Praful de toner poate lua foc atunci cand este expus la flacara.
- Scoaterea din uz poate avea loc la distribuitorul autorizat sau la locurile de colectare corespunzatoare.
- Scoaterea din uz cartusului de toner folosit (sau a sticlei) se face conform legilor locale.

#### **CAUTION**

- Protejati aparatul de umiditate si vreme umeda, precum ploaia, zapada.
- Scoateti aparatul din priza inainte de a-l muta. In timpul mutarii aparatului, veti fi atenti la cablul de alimentare.
- Cand scoateti aparatul din priza, intotdeauna trageți de stecher nu de cablu.
- Nu permiteti clamelor, capselor, sau altor obiecte metalice mici sa cada inapoi in aparatul.
- Nu lasati copii sa se atinga de toner (folosit sau nefolosit), cartusul cu toner (sau sticla cu toner), cerneala (folosita sau nefolosita) sau cartusul cu cerneala.
- Fiti atenti la marginile ascutite atunci cand deschideti aparatul pentru a inlatura hartiile blocate.



- Pentru motive legate de protectia mediului, nu aruncati aparatul la gunoiul menajer. Scoaterea din uz se poate realiza la distribuitorul autorizat sau la punctele de colectare autorizate.
- Produsele noastre sunt proiectate la cele mai inalte standarde de calitate si functionalitate, si recomandam utilizarea exclusiva de consumabile disponibile la distribuitorul autorizat.

## Alimentare

---

Priza trebuie sa se gaseasca langa produs si trebuie sa fie usor accesibila.

## Reguli pentru simboluri

---

### AVERTISMENT

Indica note de siguranta importante.

Ignorarea acestor note poate rezulta in ranire sau deces. Cititi aceste note. Pot fi gasite in sectiunea Informatii despre siguranta din acest manual.

### ATENTIE

Indica note despre siguranta importante.

Ignorarea acestor note poate conduce la rani minore sau medii sau la pagube materiale. Citit aceste note. Pot fi gasite in sectiunea Informatii despre siguranta din acest manual.

# Mediul inconjurator

Conservarea mediului inconjurator este importanta pentru producator. Producatorul doreste sa ofere solutii respectand mediul inconjurator si a ales pentru acest scop sa integreze principiile respectarii mediului in intregul ciclu de viata al produselor sale, de la productie, la vinzare, utilizare si scoaterea din uz.

## Ambalajul

---



Acest logo (punct verde) indica faptul ca va fi facuta o contributie catre o organizatie nationala aprobata in scopul imbunatatirii infrastructurilor de reciclare.

Pentru facilitarea procesului de reciclare, respectati legile si regulamentele locale referitoare la sortare ?i reciclare.

## Baterii si baterii reincarcabile

---

In cazul in care produsul dumneavoastra contine baterii sau baterii reincarcabile, acestea ar trebui scoase din uz si depozitate numai in locuri special amenajate.

## Produsul

---



Acest simbol afisat pe produs indica faptul ca apartine familiei de echipamente electronice si electrice.



Prin urmare, conform regulamentelor europene, aceste echipamente trebuie scoase din uz la centrele speciale de colectare:

- centrele de distributie in cazul cumpararii unui produs echivalent,
- centre locale de colectare.

Procedand astfel, veti participa la programul "Reutilizarea deșeurilor de echipamente electrice si electronice" care va ajuta la prevenirea efectelor negative asupra mediului si sanatatii umane.

# Contract de licenta pentru software

CITITI CU ATENTIE TOTI TERMENII SI CONDITIILE DIN PREZENTA LICENTA INAINTE DE A DESCHIDE PLICUL SIGILAT CARE CONTINE SOFTWARE-UL. DESCHIDEREA ACESTUI PLIC INDICA FAPTUL CA SUNTETI DE ACORD CU ACESTI TERMENI SI CONDITII.

In cazul in care nu sunteti de acord cu termenii acestei licente, DVD-ul trebuie inapoiat sigilat la sediul distribuitorului, impreuna cu alte componente ale produsului. Pretul de vanzare al acestui produs va fi inapoiat. Nu se vor restitui bani pentru produse daca plicul DVD-ului a fost deschis, daca exista componente lipsa, sau daca alte cereri de rambursare au fost facute dupa zece (10) zile de la data cumpararii, factura dumneavoastra fiind dovada cumpararii.

## Definitie

---

Software desemneaza programele si documentatia asociata.

## Licenta

---

- Aceasta licenta va permite sa folositi software-ul pe calculatoare personale pe o retea locala. Aveti permisiunea sa folositi acest software doar pentru a tipari pe un signur aparat multifunctional; nu puteti da software-ul cu imprumut si nici nu puteti autoriza pe nimeni sa-l foloseasca.

- Aveti voie sa faceti o copie de siguranta.

- Aceasta licenta este non-exclusiva si non-transferabila.

## Proprietate

---

Producatorul sau furnizorii sai detin drepturile de proprietate asupra prezentului Software. Sunteti doar in proprietatea DVD-ului. Nu trebuie sa-l modificati, adaptati, decompilati, traduceti, creati mai multe parti, sa-l inchiriati sau sa-l vindeti. Orice drept care nu este in mod explicit aprobat este rezervat de catre producator sau furnizorii sai.

## Durata

---

Aceasta licenta ramane valida pana va fi anulata. Puteti anula licenta prin distrugerea programului si a documentatiei precum si copiilor facute dupa ele. Aceasta licenta va fi anulata automat in cazul in care nu respectati termenii acestei licente. Daca licenta nu mai este valabila, sunteti de acord sa distrugeti toate copiile programului si a documentatiei asociate.

## Garantie

---

Software-ul este furnizat "asa cum este" cu nicio garantie, fie ea implicata sau explicita, incluzand garantii de vanzare; toate riscurile ce implica performantele acestui software sau rezultatele lui sunt pe raspunderea cumparatorului. In cazul in care programul pare a fi defect, toate cheltuielile de reparatie vor fi acoperite de cumparator.

Detinatorul licentei beneficiaza insa de urmatoarea garantie: garantam ca DVD-ul pe care software-ul este inregistrat nu are nici un fel de defecte daca este folosit in conditii normale; garantia este valabila timp de nouazeci (90) de zile de la data livrarii, copia facturii constituind dovada cumpararii. In cazul in care DVD-ul este defectat din cauza unui accident sau folosiri nerecomandate, DVD-ul nu va fi inlocuit.

## Responsabilitate

---

In cazul in care DVD-ul nu functioneaza in mod corect, trimiteti-l la distribuitor impreuna cu o copie a facturii de cumparare. Sta in responsabilitatea distribuitorului sa inlocuiasca DVD-ul. Nimeni, nici chiar producatorul care este implicat in crearea, realizarea, vanzarea si livrarea acestui program nu este responsabil pentru daune directe, indirecte sau imateriale, precum, dar nu limitat la, pierderea de informatie, de venit, de timp, de clienti, datorita folosirii sau inabilitatii de a folosi programul.

## Dezvoltare

---

Cu o preocupare constanta pentru imbunatatire, producatorul isi rezerva dreptul de a modifica specificatiile Software-ului fara notificare prealabila. In cazul modificarii, dreptul dumneavoastra de utilizare nu va da dreptul de acces la actualizari gratis.

## Lege aplicabila

---

Aceasta licenta este guvernata de legea franceza. Orice disputa cu originea in interpretarea sau executarea acestei licente va fi depusa la Tribunalul Paris.

Data fiind dezvoltarea continua, producatorul isi rezerva dreptul de a modifica specificatiile tehnice ale acestui produs, la orice moment, fara notificare prealabila, si/sau sa opreasca oprirea producerii acestui produs. Toate numele produselor si marilor care pot fi marci inregistrate de catre proprietarii respectivi sunt recunoscute in prezentul document.

## Marci inregistrate

---

Data fiind evolutia tehnica, producatorul isi rezerva dreptul de a modifica specificatiile tehnice ale acestui produs si/sau sa opreasca producerea acestuia fara o notificare prealabila. Companion Suite Pro este o marca inregistrata a Sagem Communications.

Produsele Adobe® si Adobe® la care se face referire aici sunt marci inregistrate ale Adobe Systems Incorporated.

PaperPort11SE este marca inregistrata a ScanSoft.

Microsoft® Windows 2000®, Microsoft® Windows Server 2003®, Microsoft® Windows XP®, Microsoft® Windows Vista® si alte produse Microsoft® la care se face referire aici sunt marci inregistrate ale Microsoft Corporatio, inregistrate si/sau folosite in Statele Unite si/sau alte tari.

Toate marcele si produsele la care se face referire drept exemple sau pentru a oferi informatii suplimentare sunt marci inregistrate ale proprietarilor respectivi.

Informatiile continute in acest manual se pot schimba fara notificare.

## Reproduceri prohibite

---

Nu copiat sau tipariti nici un document pentru care reproducerea este interzisa prin lege.

Copierea si tiparirea urmatoarelor materiale este in general interzisa de catre legile locale:

- bancnote;
- cekuri;
- certificate de valoare;
- certificate de bursa;
- ordin de plata;
- pasapoarte;
- permis de conducere.

Lista de mai sus este un ghid si nu este inclusiva. Daca aveti intrebari referitoare la legalitatea copierii sau tiparii anumitor materiale, consultati autoritatile.

<b>BEZPEČNOSTNÉ POKYNY</b>	<b>188</b>
<b>Vážený používateľ</b>	<b>188</b>
<b>Bezpečnosť</b>	<b>188</b>
<i>Bezpečnostné pokyny</i>	188
<i>EMC</i>	189
<i>Oznámenie pre používateľov v Spojených štátoch amerických</i>	189
<i>Vyhlasenie o zhode</i>	189
<i>Zhoda s EME pre Kanadu</i>	189
<i>Bezpečnostné informácie o laserovom zariadení</i>	189
<i>Pre Európu/Áziu</i>	190
<i>Pre Severnú Ameriku</i>	190
<i>Informácia o certifikácii</i>	190
<i>Certifikácia pre Európu</i>	190
<i>Umiestnenie bezpečnostných štítkov na stroji</i>	191
<i>Symboly na vypínači napájania</i>	191
<b>Inštalácia</b>	<b>192</b>
<i>Podmienky pre umiestnenie</i>	192
<i>Bezpečnostné opatrenia pri používaní</i>	192
<i>Bezpečnostné informácie</i>	193
<i>Bezpečnosť pri prevádzke</i>	193
<i>Napájanie</i>	194
<i>Pravidlá pre používanie symbolov</i>	194
<b>Životné prostredie</b>	<b>194</b>
<i>Obaly</i>	194
<i>Batérie a akumulátorové batérie</i>	194
<i>Výrobok</i>	194
<b>Licencia na používanie programového vybavenia</b>	<b>195</b>
<i>Definícia</i>	195
<i>Licencia</i>	195
<i>Vlastníctvo</i>	195
<i>Obdobie trvania</i>	195
<i>Záruka</i>	195
<i>Zodpovednosť</i>	195
<i>Vývoj</i>	195
<i>Aplikovateľné právo</i>	196
<i>Registrované obchodné známky</i>	196
<i>Zákaz reprodukcie</i>	196

# BEZPEČNOSTNÉ POKYNY

## Vážený používateľ

Zakúpením tohto multifunkčného zariadenia ste sa rozhodli pre kvalitný výrobok. Vaše zariadenie spĺňa rôzne špecifikácie moderného kancelárskeho automatického zariadenia.

Tento prístroj umožňuje farebné skenovanie, faxovanie, tlač a čiernobiely kopírovanie (**pagepro 1490MF**). Multifunkčné zariadenie môžete pripojiť k vášmu PC (Microsoft Windows 2000/XP/Vista).

Nainštalujte dodaný softvér, aby ste mohli používať multifunkčné zariadenie ako tlačiareň. Okrem toho môžete pomocou PC dokumenty skenovať, editovať a ukladať. K dispozícii máte prípojku s adaptérom WLAN (zvláštny príslušenstvo) pre bezdrôtovú komunikáciu s osobným počítačom.

WLAN je príslušenstvo pracujúce len s originálnym adaptérom, ktorý môžete získať u vášho predajcu.

### pagepro 1490MF:

K jednému portu USB tohto multifunkčného prístroja môžete pripojiť základňu USB-DECT a zaregistrovať na tejto základni telefóny DECT. Potom môžete volať a prijímať telefónne hovory na vaše registrované telefóny DECT, pričom používate telefónnu linku multifunkčného prístroja (použitie ako štandardný telefón).

Hlasová komunikácia je zvláštny príslušenstvo pracujúce len s konkrétnym kľúčom USB DECT, ktorý môžete získať u vášho predajcu. Ďalšie informácie nájdete na našej internetovej stránke: [www.sagem-communications.com](http://www.sagem-communications.com).

Vďaka jeho ovládateľnosti a univerzálnosti je zariadenie výkonné, používateľsky prívetivé a jednoducho použiteľné.

Multifunkčné zariadenie MFP Laser je dodávané so skenerom s rozlíšením 600 dpi a čiernobiely laserovou tlačiarňou, ponúkajúcou rýchlosť tlače 20 strán za minútu. Dodaný softvér Companion Suite Pro vám umožňuje používať váš multifunkčný terminál ako skener a tlačiareň z osobného počítača. Taktiež vám dáva možnosť riadiť váš multifunkčný terminál.

## Bezpečnosť

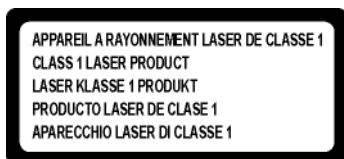
### Bezpečnostné pokyny

Pred zapnutím zariadenia skontrolujte, či zásuvka, do ktorej sa chystáte zariadenie zapojiť, zodpovedá údajom uvedeným na typovom štítku na vašom zariadení (elektrické napätie, prúd, frekvencia siete). Toto zariadenie sa pripája do jednofázovej elektrickej siete. Toto zariadenie sa nesmie inštalovať na holú podlahu.

Batérie a akumulátorové batérie, obaly a elektrické a elektronické vybavenie (EEE) sa musí likvidovať v súlade s pokynmi uvedenými v kapitole ŽIVOTNÉ PROSTREDIE v tejto príručke.

Vzhľadom na model zariadenia je zástrčka na napájacom kábli jediným spôsobom, ako odpojiť zariadenie od elektrickej rozvodnej siete, čo je dôvodom, prečo je bezpodmienečne nutné dodržať nasledujúce bezpečnostné opatrenia: vyššie zmienené zariadenie musí byť pripojené do zásuvky umiestnenej v bezprostrednej blízkosti. Zásuvka musí byť ľahko prístupná.

Vaše zariadenie je dodávané s uzemneným napájacím káblom. Uzemnená zástrčka musí byť zapojená do uzemnenej zásuvky pripojenej k ochrannému uzemneniu budovy.



**Opravy - údržba:** Opravy a údržbu prenechajte kvalifikovanému technikovi. Používateľ nesmie opravovať žiadnu z vnútorných častí stroja. Aby sa zabránilo riziku úrazu elektrickým prúdom, nesmiete vykonávať tieto operácie sami, pretože otvorením alebo odstránením krytu sa vystavujete dvom rizikám:

- Kontakt ľudského oka s laserovými lúčmi môže spôsobiť trvalé poškodenie zraku.
- Kontakt s časťami napájanými prúdom môže spôsobiť elektrický šok, ktorého následky môžu byť veľmi vážne.

## EMC

### Oznámenie pre používateľov v Spojených štátoch amerických

Toto zariadenie bolo testované a považuje sa za zhodné s obmedzeniami pre digitálne zariadenia triedy B, podľa časti 15 Smerníc FCC. Tieto obmedzenia sú navrhnuté tak, aby poskytovali ochranu pred nebezpečným rušením v domácej inštalácii.

Toto zariadenie vytvára, používa a môže vyžarovať energiu na rádiových frekvenciách; ak nie je nainštalované a umiestnené v súlade s pokynmi, môže spôsobovať škodlivé rušenie rádiových komunikácií. Nezaručujeme však, že v určitých inštaláciách k rušeniu nebude dochádzať.

Ak zariadenie spôsobuje škodlivé rušenie rádiového alebo televízneho príjmu, čo zistíte vypnutím a zapnutím prístroja, odporúčame pokúsiť sa problém vyriešiť niektorým z nasledujúcich spôsobov:

1. preorientujte alebo premiestnite anténu pre príjem,
2. zväčšite vzdialenosť medzi zariadením a prijímačom,
3. pripojte zariadenie do zásuvky v inom obvode, než do ktorého je zapojený prijímač,
4. obráťte sa na predajcu alebo skúseného rádio/TV technika so žiadosťou o pomoc.

### Vyhlásenie o zhode

Toto zariadenie spĺňa požiadavky Časti 15 pravidiel FCC. Prevádzka je podmienená dvoma nasledujúcimi podmienkami:

1. Toto zariadenie nesmie spôsobovať škodlivé rušenie, a
2. toto zariadenie musí prijať akékoľvek rušenie, vrátane rušenia, ktoré môže spôsobiť nežiaducu činnosť.

### Zhoda s EME pre Kanadu

Tento digitálny prístroj Triedy „B“ spĺňa podmienky Canadian ICES-003.

Cet appareil numérique de la classe „B“ est conforme à la norme NMB-003 du Canada.

### Bezpečnostné informácie o laserovom zariadení

**UPOZORNENIE:** Postupy ovládania, nastavovania alebo prevádzkovania, ktoré nezodpovedajú postupom popísaným v tomto návode, môžu mať za následok nebezpečné vystavenie laserovému lúču.

Toto zariadenie vyhovuje medzinárodným bezpečnostným normám a klasifikované je ako Laserový výrobok triedy.

Toto zariadenie vyhovuje normám pre výkon laserových výrobkov stanoveným vládami, národnými a medzinárodnými organizáciami, a vyhovuje podmienkam pre Laserový výrobok triedy 1. Toto zariadenie neemituje nebezpečné žiarenie, pretože lúč je kompletne zakrytý počas všetkých fáz prevádzky a údržby zariadenia vykonávaných používateľom.

## Pre Európu/Áziu

---

Zariadenie zodpovedá norme IEC 60825-1:1993+A1:1997+A2:200 a je považované za laserové zariadenie triedy 1, ktoré je bezpečné pre použitie v kancelárii/EDP. Zariadenie obsahuje jednu laserovú diódu triedy 3B s parametrami 10,72 mW max., 770-795 nm a ďalšie LED triedy 1 (parametre 280 µW pre 639 nm).

Priamy (alebo nepriamy - odrazený) kontakt laserového lúča s okom môže mať za následok vážne poškodenie oka. Aby sa predišlo možnému vystaveniu oka obsluhy laserovému lúču, boli navrhnuté bezpečnostné opatrenia a mechanizmy pre uzamknutie.

## Pre Severnú Ameriku

---

Pravidlá CDRH

Zariadenie zodpovedá funkčným normám pre laserové zariadenia FDA, okrem výnimiek uvedených vo vyhláske (Laser Notice) č. 50, zo dňa 24. júna 2007, a obsahuje jednu laserovú diódu triedy 3B s parametrami 10,72 mW, 770-795 nm vlnovej dĺžky a ďalšie LED triedy 1 (parametre 280 µW pre 639 nm).

Toto zariadenie nebezpečný lúč nevydáva. Lúč je vo všetkých režimoch a pri všetkých operáciách úplne uzatvorený v prístroji.

## Informácia o certifikácii

---

### Certifikácia pre Európu

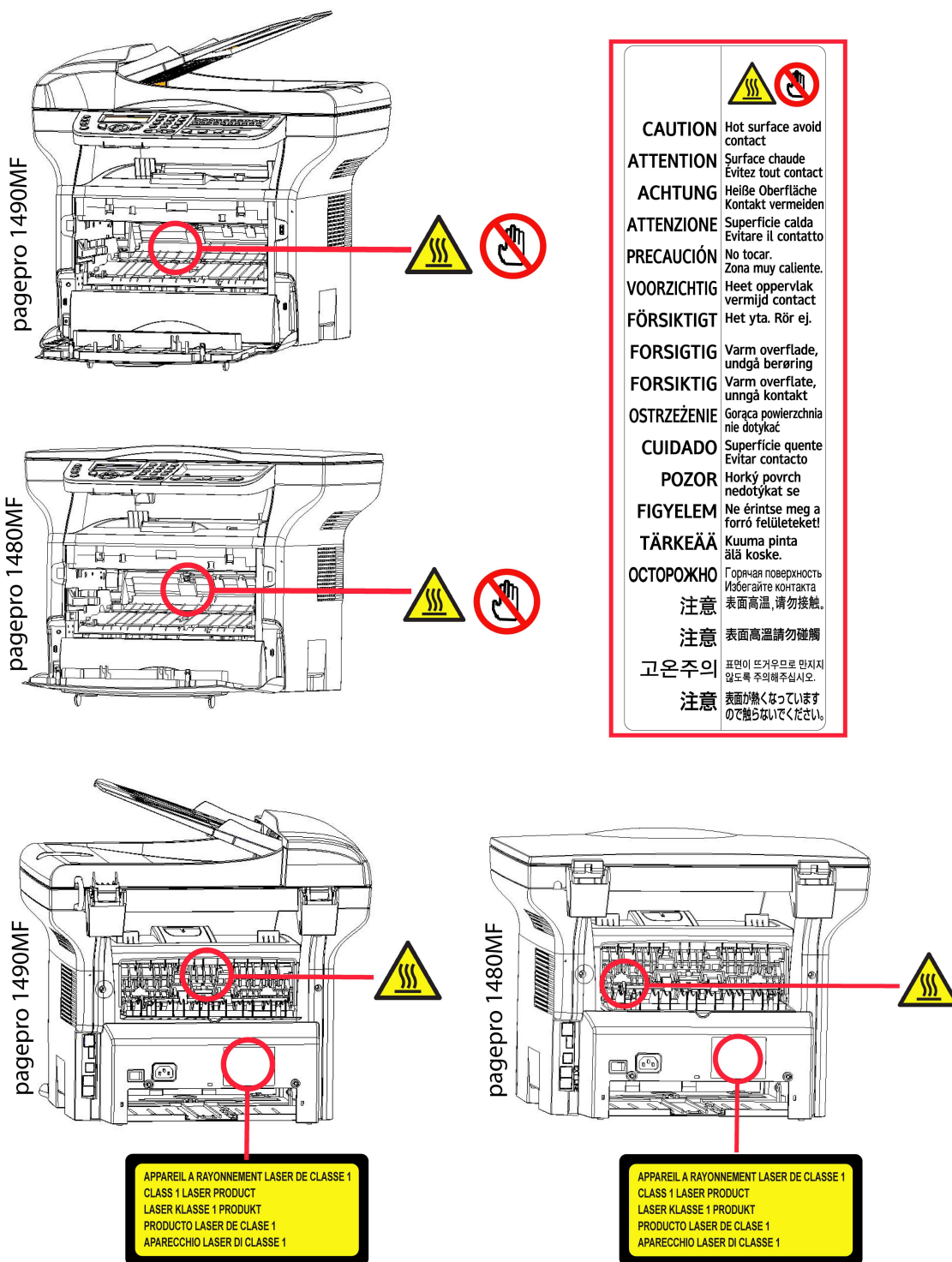
---

**CE** Pre tento výrobok je použité označenie CE, ktoré symbolizuje, že je tento výrobok vyrobený v zhode s nasledujúcimi smernicami Európskej únie, platnými od uvedeného dátumu:

- 12. decembra 2006:** Smernica Rady Európy 2006/95/EC v platnom znení. Zjednotenie zákonov členských krajín platných pre oblasť nízkonapäťových zariadení.
- 15. decembra 2004:** Smernica Rady Európy 2004/108/EC v platnom znení. Zjednotenie zákonov členských krajín platných pre oblasť elektromagnetickej kompatibility.
- 9. marca 1999:** Smernica Rady Európy 99/5/EC týkajúca sa rádiových zariadení a telekomunikačných zariadení a vzájomného uznávania zhody.



## Umístění bezpečnostních štítků na stroji

Z bezpečnostných dôvodov boli na stroj umiestnené výstražné štítky na nižšie vyznačené miesta. Pre vašu bezpečnosť sa nikdy nedotýkajte týchto plôch počas odstraňovania uviaznutého papiera alebo výmeny tonera.



## Symboly na vypínači napájania

V súlade s normou IEC 60417 sú na zariadení používané tieto symboly na vypínači napájania:

-  znamená ZAPNUTÉ.
-  znamená VYPNUTÉ.



# Inštalácia

## Podmienky pre umiestnenie

Výberom vhodného umiestnenia zvýšite životnosť zariadenia. Skontrolujte, že zvolené miesto ponúka nasledujúce vlastnosti:

- Zvoľte dobre vetrateľný priestor.
- Uistite sa, že nie sú zablokované ventilačné mriežky na ľavej a pravej strane zariadenia. Počas inštalácie sa presvedčte, že ste zariadenie umiestili tridsať centimetrov od okolitých predmetov, aby sa všetky kryty dali jednoducho otvoriť.
- Uistite sa, že sa na tomto mieste nevyskytuje čpavok ani žiadne iné nebezpečné organické plyny.
- V blízkosti zariadenia musí byť ľahko prístupná uzemnená zásuvka (nahliadnite do bezpečnostných poznámok uvedených v kapitole **Bezpečnosť**), do ktorej pripojíte zariadenie.
- **Uistite sa, že prístroj nie je vystavený priamemu slnečnému svetlu.**
- Nedávajte zariadenie do priestoru, ktorý je vystavený prúdu vzduchu od klimatizácie, vykurovania alebo ventilácie, ani do oblasti vystavenej vysokej teplote alebo veľkým zmenám vlhkosti.
- Vyberte pevnú a vodorovnú plochu, na ktorej nebude prístroj vystavený intenzívnym vibráciám.
- **Používajte zariadenie mimo všetkých objektov, ktoré by mohli zatarasiť ventilačné otvory.**
- Neumiestňujte terminál do blízkosti závesu alebo akýchkoľvek iných horľavých predmetov.
- Vyberte umiestnenie, na ktorom je minimalizovaná možnosť poliatia vodou alebo inými tekutinami.
- Uistite sa, že zvolené miesto je suché, čisté a bezprašné.

## Bezpečnostné opatrenia pri používaní

Pri používaní prístroja vezmite do úvahy nižšie uvedené dôležité podmienky.

### Pracovné prostredie:

- Teplota: 10 °C až 27 °C [50 °F až 80,6 °F], relatívna vlhkosť okolitého vzduchu v rozmedzí 15 až 80 % (do 32 °C [89,6 °F] s relatívnou vlhkosťou okolitého vzduchu v rozmedzí 15 až 54 %).

### Zariadenie:

V nasledujúcej časti sú popísané opatrenia, ktoré majú byť zohľadnené pri používaní zariadenia:

- Nikdy nevypínajte prístroj ani neotvárajte kryty, pokým tlačíte.
- Nikdy nepoužívajte v blízkosti prístroja plyn alebo horľavé kvapaliny alebo objekty generujúce magnetické pole.
- Ak odpájate napájací kábel, vždy ho uchopte za konektor, neťahajte priamo za kábel. Poškodený kábel predstavuje možné nebezpečenstvo požiaru alebo úrazu elektrickým prúdom.
- Kábla sa nikdy nedotýkajte vlhkými rukami. Môžete riskovať úraz elektrickým prúdom.
- Vždy odpojte napájací kábel pred premiestňovaním zariadenia. Mohli by ste poškodiť kábel a vytvoriť nebezpečenstvo požiaru alebo úrazu elektrickým prúdom.
- Napájací kábel odpojte vždy, keď plánujete zariadenie dlhší čas nepoužívať.
- Na napájací kábel nikdy nekladte predmety, nikdy zaň neťahajte a nikdy ho neohýbajte. Mohlo by vzniknúť nebezpečenstvo požiaru alebo úrazu elektrickým prúdom.
- Vždy sa uistite, že zariadenie nie je položené na napájacom kábli alebo na komunikačných kábloch akýchkoľvek iných elektrických zariadení. Taktiež sa ubezpečte, že žiadny kábel ani vodič nezasahuje do vnútorného priestoru prístroja. Tým by mohol byť prístroj vystavený nebezpečenstvu poruchy alebo požiaru.
- Ubezpečte sa, že pred pripojením alebo odpojením dátového kábla tlačiarne (používajte tienový prepájací kábel) je tlačiareň odpojená od napájacej zásuvky.
- Nikdy sa nepokúšajte demontovať panel alebo pevný kryt. Tento prístroj obsahuje vysokonapäťové obvody. Akýkoľvek kontakt s týmito obvodmi môže spôsobiť úraz elektrickým prúdom.
- Nikdy sa prístroj nepokúšajte upravovať. Mohlo by vzniknúť nebezpečenstvo požiaru alebo úrazu elektrickým prúdom.
- Vždy sa uistite, že sa do prístroja nedostanú ventilačnými alebo inými otvormi kancelárske sponky, sponky na zošívanie alebo iné malé kovové predmety. Takéto predmety vytvárajú nebezpečenstvo požiaru alebo nebezpečenstvo úrazu elektrickým prúdom.

- Zabráňte vyliatiu vody alebo inej tekutiny na prístroj alebo do jeho blízkosti. Akýkoľvek kontakt prístroja s vodou alebo kvapalinou môže byť príčinou požiaru alebo úrazu elektrickým prúdom.
- Ak sa náhodne dostane kvapalina alebo kovový predmet do prístroja, ihneď prístroj vypnite, odpojte napájací kábel a kontaktujte vášho predajcu. Inak by ste čelili nebezpečenstvu požiaru alebo nebezpečenstvu úrazu elektrickým prúdom.
- V prípade požiaru, dymu, neobvyklého zápachu alebo netypických zvukov prístroj vypnite, odpojte ihneď napájací kábel a kontaktujte vášho predajcu. Inak by ste čelili nebezpečenstvu požiaru alebo nebezpečenstvu úrazu elektrickým prúdom.
- Vyhňte sa používaniu terminálu počas „elektrickej búrky“, mohlo by dôjsť k úrazu elektrickým prúdom vyvolaným bleskom.
- Nikdy nehýbte s prístrojom počas tlače.
- Ak chcete prístroj presunúť, naddvihnite ho.



Uistite sa, že je prístroj umiestnený v dobre vetranej miestnosti. Pri činnosti tlačiarne vzniká malé množstvo ozónu. Z tlačiarne môže vychádzať nepríjemný pach, ak je intenzívne využívaná v nevetranej miestnosti. Z bezpečnostných dôvodov zaistíte umiestnenie terminálu do dobre vetranej miestnosti.

## Bezpečnostné informácie

Pri používaní tohto výrobku vždy dodržujte nasledujúce bezpečnostné opatrenia.

### Bezpečnosť pri prevádzke

V nasledujúcom texte sú používané tieto symboly:

<b>VAROVANIE:</b>	Označuje potenciálne nebezpečnú situáciu, ktorej dôsledkom, ak nie sú dodržiavané pokyny, môže byť smrť alebo ťažké poranenie.
<b>POZOR:</b>	Označuje potenciálne nebezpečnú situáciu, ktorej dôsledkom, ak nie sú dodržiavané pokyny, môže byť ľahké alebo stredne ťažké poranenie alebo poškodenie majetku.



#### VAROVANIE

- Napájací kábel pripojte priamo do zásuvky na stene, nikdy nepoužívajte predlžovacie káble.
- Odpojte napájací kábel (ťahajte za zástrčku, nie za kábel), ak zistíte, že napájací kábel alebo zástrčka je rozdrapaná alebo inak poškodená.
- Aby nedošlo k nebezpečnému úrazu elektrickým prúdom alebo vystaveniu laserovým lúčom, neskladajte žiadne kryty ani skrutky, okrem tých, ktoré sú označené v návode na obsluhu.
- Vypnite prístroj a odpojte napájací kábel (ťahajte za zástrčku, nie za kábel), ak dôjde k akejkoľvek nasledujúcej situácii:
  - Naliali ste čokoľvek do prístroja.
  - Domnievate sa, že prístroj potrebuje servisný zásah alebo opravu.
  - Kryt prístroja je poškodený.
- Nespáľujte rozsypaný alebo použitý toner. Tonerový prach sa môže pri vystavení otvorenému plameňu vznietiť.
- Likvidácia odpadu sa môže vykonávať u autorizovaného predajcu alebo na vhodných zberných miestach.
- Likvidujte použité tonerové kazety (alebo fľaše) v súlade s miestnymi predpismi.



#### VÝSTRAHA

- Chráňte výrobok pred vlhkosťou alebo vlhkým počasím, ako je dážď, sneh, a pod.
- Pred premiestňovaním výrobku odpojte napájací kábel od zásuvky. Pri premiestňovaní výrobku dbajte na to, aby sa napájací kábel nepoškodil pod výrobkom.
- Pri odpájaní napájacieho kábla od zásuvky ťahajte vždy za zástrčku (nie za kábel).
- Nedopustíte, aby sa kancelárske sponky, sponky na zošívanie alebo iné malé kovové predmety dostali do prístroja.
- Toner (použitý aj nepoužitý), kazety s tonerom (alebo fľaše), atrament (použitý aj nepoužitý) alebo atramentové

náplne držte mimo dosahu detí.

- Pri odstraňovaní zaseknutého papiera zo stroja si počínajte opatrne, aby ste sa neporanili o žiadnu ostrú hranu.
- Pre ochranu životného prostredia nelikvidujte zariadenie ani odpadový spotrebný materiál spoločne s odpadom z domácnosti. Likvidácia odpadu sa môže vykonávať u autorizovaného predajcu alebo na vhodných zberných miestach.
- Naše výrobky sú navrhnuté tak, aby spĺňali vysoké nároky na kvalitu a funkčnosť, a odporúčame vám, aby ste používali iba spotrebný materiál, ktorý je dodávaný autorizovanými predajcami.

## Napájanie

Zásuvka by mala byť inštalovaná čo najbližšie k výrobku a mala by byť ľahko dostupná.

## Pravidlá pre používanie symbolov



### VAROVANIE

Označuje dôležité bezpečnostné poznámky.

Nedodržanie týchto poznámok môže mať za následok vážne zranenie alebo smrť. Uistite sa, že ste si tieto poznámky prečítali. Nájdete ich v časti Bezpečnostné informácie tohto návodu.



### POZOR

Označuje dôležité bezpečnostné poznámky.

Nedodržanie týchto poznámok môže mať za následok ľahké alebo stredne ťažké zranenie, alebo poškodenie zariadenia alebo majetku. Uistite sa, že ste si tieto poznámky prečítali. Nájdete ich v časti Bezpečnostné informácie tohto návodu.

# Životné prostredie

Ochrana životného prostredia je pre výrobcu veľmi dôležitá. Výrobca si praje, aby sa zariadenia využívali s ohľadom na životné prostredie, a rozhodol sa integrovať požiadavky životného prostredia do celého životného cyklu svojich produktov, od výroby až po uvedenie na trh, používanie a vyradenie.

## Obaly



Umiestnenie loga na obale (zelený bod) znamená, že bol uhradený finančný príspevok autorizovanej národnej organizácii za účelom zlepšenia využitia obalového odpadu a recyklačných infraštruktúr.

Uistite sa, že rešpektujete miestne pravidlá triedenia tohto druhu odpadu. Uľahčíte tým recykláciu.

## Batérie a akumulátorové batérie

Ak váš výrobok obsahuje batérie alebo akumulátorové batérie, zanechajte ich po vyradení v určených zberných centrách.

## Výrobok



Prečiarknutý kontajner na výrobku znamená, že výrobok patrí do kategórie elektrických a elektronických zariadení.

■ Európske smernice po vás preto vyžadujú vykonávanie ich selektívneho zberu:

-V distribučných centrách v prípade kúpy porovnateľného zariadenia.

-V dostupných miestnych zberných centrách (sklárky, selektívny zber, atď.).

Takto budete mať podiel na opätovnom využití a vývoji odpadov z elektrických a elektronických zariadení, čo môže mať podstatný vplyv na životné prostredie a ľudské zdravie.

# Licencia na používanie programového vybavenia

PRED OTVORENÍM ZAPEČATENEJ OBÁLKY OBSAHUJÚCEJ SOFTVÉR SI POZORNE PREČÍTAJTE VŠETKY PODMIENKY A DOJEDNANIA TEJTO LICENČNEJ ZMLUVY. OTVORENÍM TEJTO OBÁLKY TIETO PODMIENKY A DOJEDNANIA PRIJÍMATE.

Ak podmienky tejto licenčnej zmluvy neprijmete, vráťte balenie disku DVD vášmu predajcovi, a to neotvorené, spolu s ostatnými súčasťami výrobku. Kúpna cena tohto výrobku vám bude vrátená. Refundácia sa neposkytuje pri výrobkoch, pri ktorých bol obal disku DVD otvorený, alebo ak chýbajú súčasti alebo ak je žiadosť o úhradu podaná po uplynutí lehoty desiatich (10) dní začínajúc dátumom dodania, ktorý preukážete svojou účtenkou.

## Definícia

Pojmom softvér sa označujú programy a súvisiaca dokumentácia.

## Licencia

- Táto licencia vám umožňuje používať tento softvér na osobných počítačoch pripojených k lokálnej sieti. Iba vy máte právo používať tento softvér na tlač na iba jednom multifunkčnom termináli a toto právo používať softvér nemôžete nikomu prepožičať ani dať.

- Máte právo si urobiť bezpečnostnú kópiu softvéru.

- Táto licencia je nevýlučná a neprenosná.

## Vlastníctvo

Výrobca alebo jeho poskytovatelia si ponechávajú vlastnícke práva na softvér. Vy sa stávate iba vlastníkom disku DVD. Softvér ani dokumentáciu nesmiete meniť, prispôbovať, dekompilovať, prekladať, vytvárať odvodneniny, prenajať ani predať. Všetky práva, ktoré nie sú výslovne priznané, si vyhradzuje výrobca alebo jeho poskytovatelia.

## Obdobie trvania

Táto licencia zostáva aktívna až do jej zrušenia. Môžete ju zrušiť zničením programu a dokumentácie a všetkých ich ďalších kópií. Táto licencia sa automaticky ruší v prípade, že nedodržiavate jej podmienky. V prípade zrušenia licencie súhlasíte so zničením všetkých kópií programu a dokumentácie.

## Záruka

Softvér je poskytovaný tak, ako je, bez záruky akéhokoľvek druhu, či už výslovnej alebo odvodenej, vrátane, bez obmedzenia, akýchkoľvek záruk obchodovateľnosti alebo vhodnosti na konkrétny účel; kupujúci na seba berie všetky riziká týkajúce sa výsledku a výkonu tohto softvéru. V prípade, že by program bol chybný, hradí všetky výdaje na opravy a servis kupujúci.

Na držiteľa licencie sa však vzťahuje nasledujúca záruka: zaručujeme, že disk DVD, na ktorom je softvér zaznamenaný, bude počas deväťdesiatich (90) dní bez hardvérových alebo výrobných chýb za predpokladu používania a prevádzky pri normálnych podmienkach, záručná lehota plynie od dátumu dodania, ktorý sa preukazuje kópiou účtenky. Ak by chyba disku DVD bola spôsobená haváriou alebo nesprávnym používaním, disk DVD nebude vymenený v rámci záruky.

## Zodpovednosť

Ak disk DVD správne nefunguje, pošlite ho predajcovi spoločne s kópiou účtenky. Za výmenu disku DVD je výlučne zodpovedný predajca. Nikto, ani výrobca, zapojený do tvorby, realizácie, obchodovateľnosti alebo dodania tohto programu, nezodpovedá za priame, nepriame či nehmotné škody, ako je, nie však iba, strata informácií, časová strata, strata využitia, strata príjmu, strata zákazníka, spôsobené používaním takého programu alebo neschopnosťou taký program používať.

## Vývoj

V snahe o neustále zlepšovanie si výrobca vyhradzuje právo zmeniť bez predchádzajúceho oznámenia špecifikácie softvéru. V prípade zmeny vám vaše používateľské právo nedáva nárok na prístup k bezplatným aktualizáciám.

## Aplikovateľné právo

---

Táto licencia sa riadi francúzskym právom. Všetky spory vyplývajúce z výkladu alebo vykonávania tejto licencie budú predložené súdu v Paríži.

Vzhľadom na neustály technologický vývoj si výrobca vyhradzuje právo kedykoľvek bez predchádzajúceho oznámenia zmeniť technické špecifikácie uvedené pre tento produkt a/alebo zastaviť výrobu produktu. Všetky názvy produktov a značiek, ktoré by mohli byť obchodnou známkou registrovanou ich príslušným majiteľom, sú týmto uznané.

## Registrované obchodné známky

---

Vzhľadom na technický vývoj si alebo vyhradzuje právo kedykoľvek bez predchádzajúceho oznámenia zmeniť technické špecifikácie tohto produktu a/alebo zastaviť jeho výrobu. Companion Suite Pro je registrovaná obchodná známka spoločnosti Sagem communications.

Zmienené produkty Adobe® a Adobe® sú registrované obchodné známky spoločnosti Adobe Systems Incorporated.

PaperPort11SE je registrovaná obchodná známka spoločnosti ScanSoft.

Microsoft® Windows 2000®, Microsoft® Windows Server 2003®, Microsoft® Windows XP®, Microsoft® Windows Vista® a akékoľvek ďalšie produkty spoločnosti Microsoft® tu zmienené sú registrované obchodné známky spoločnosti Microsoft Corporation, registrované a/alebo používané v USA a/alebo v ďalších krajinách.

Všetky ostatné značky alebo názvy výrobkov uvedené ako príklad alebo pre informáciu sú registrované obchodné známky ich príslušných majiteľov.

Informácie obsiahnuté v tejto používateľskej brožúre podliehajú zmenám bez predchádzajúceho oznámenia.

## Zákaz reprodukcie

---

Nikdy nekopírujte ani netlačte dokumenty, ktorých reprodukcia je zakázaná zákonom.

Tlač alebo kopírovanie nasledujúcich dokumentov je všeobecne zakázané zákonmi:

- bankovky;
- šeky;
- dlhopisy;
- depozitné certifikáty;
- bankové zmenky;
- pasy;
- vodičské preukazy.

Vyššie uvedený zoznam je iba informatívny, nie však úplný. Ak máte pochybnosti o legálnosti kopírovania alebo tlače niektorých dokumentov, obráťte sa na právnik.



KONICA MINOLTA



Konica Minolta  
Business Solutions Europe GmbH  
Europaallee 17  
30855 Langenhagen • Germany  
Tel.: +49 (0) 511 74 04-0  
Fax: +49 (0) 511 74 10 50  
www.konicaminolta.eu

© 2009 Konica Minolta  
Business Solutions Europe GmbH  
All rights reserved. Printed in Germany.

## Free Manuals Download Website

<http://myh66.com>

<http://usermanuals.us>

<http://www.somanuals.com>

<http://www.4manuals.cc>

<http://www.manual-lib.com>

<http://www.404manual.com>

<http://www.luxmanual.com>

<http://aubethermostatmanual.com>

Golf course search by state

<http://golfingnear.com>

Email search by domain

<http://emailbydomain.com>

Auto manuals search

<http://auto.somanuals.com>

TV manuals search

<http://tv.somanuals.com>