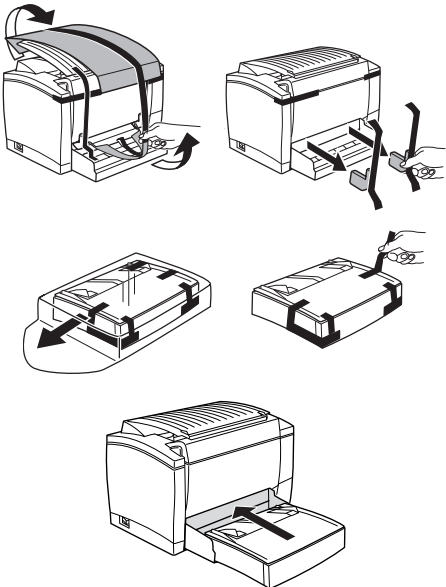


Before setting up the printer, see the safety information in the *User's Guide*, included in PDF format on the *Utilities and Documentation CD-ROM*.

1 Remove the Packing Materials

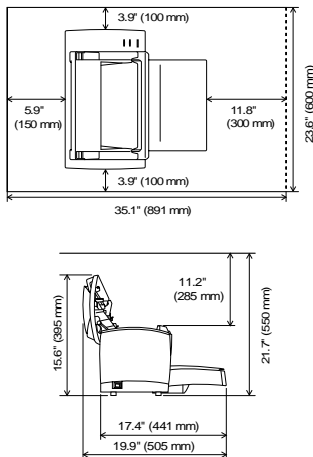
Keep all of the packing materials in case you ever need to move the printer.



2 Choose a Location

Space Requirements

Provide enough space around the printer to ensure easy printer operation, paper replacement, and maintenance.



Precautions

Set up the printer in a place that is

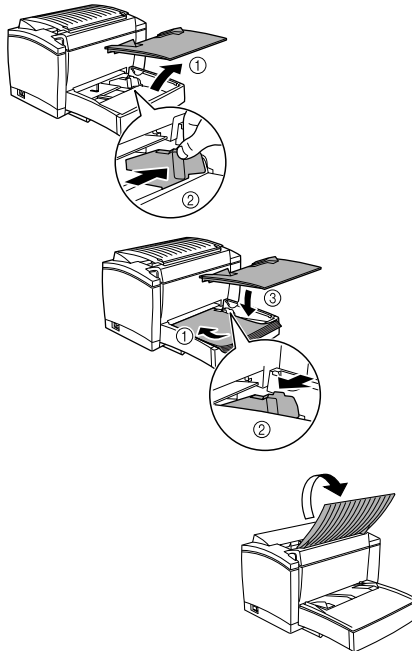
- dry and free from dust
- on a stable surface
- well ventilated
- near an easily accessible power socket
- away from objects which might obstruct the printer's ventilation grille
- away from highly flammable items (such as curtains)
- away from splashing liquids
- away from organic gases (such as ammonia)
- away from direct sunlight
- away from severe temperature fluctuations
- away from exhaust-air from heating, ventilation, and air-conditioning systems

3 Install Optional Accessories

If you purchased a lower feeder unit, face-up output tray, and/or extra memory, install them now. Instructions are included in the *User's Guide* (in PDF format on the *Utilities and Documentation CD-ROM*).

4 Set up the Printer

Load Paper into Tray 1

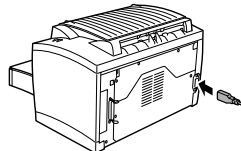


Connect the Power Cord

CAUTION

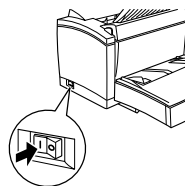
Use only the power cord supplied with the printer.

- 1 Make sure that the printer's power switch is in the "O" (OFF) position.
- 2 Plug one end of the power cord that comes with the printer into the power cord socket on the back of the printer. Plug the other end into a power outlet.



Turn on the Printer

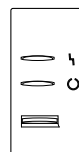
Set the power switch to the "I" (ON) position. The printer is ready to use in approximately 20 seconds. The green "Ready" indicator should be on (but not blinking) and the orange "Error" indicator off.



Test the Printer

Print a configuration page to ensure that the printer is operating correctly.

- 1 With the green "Ready" indicator on (but not blinking) and the orange "Error" indicator off, briefly press the panel button. All indicators blink rapidly.
- 2 Press the panel button two more times. A configuration page prints.



5 Connect the Printer to a PC

If you're connecting the printer to a Macintosh, skip to the next section, "Connect the Printer to a Macintosh."

Minimum System Requirements

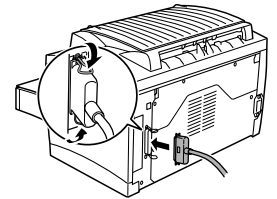
- IBM-compatible PC with a Pentium 133 MHz processor
- Windows XP/Me/2000/98/95/NT 4.0
- 64 MB RAM
- 15 MB free hard disk space
- IEEE 1284 Type B parallel port or USB port
- CD-ROM drive

Parallel Interface (Windows XP/2000/Me/98/95/NT 4.0)

CAUTION

Using the wrong type of cable can damage the socket on the printer. Use only an IEEE 1284 type B shielded interface cable.

- 1 Turn off both the printer and the PC.
- 2 Connect one end of the interface cable to the parallel port of the PC.
- 3 Connect the other end of the interface cable to the parallel interface connector on the back of the printer. Secure the cable using the two clips.
- 4 Turn on the printer and then, when it's ready, turn on the PC.
- 5 If you're using Windows XP/Me/2000/98, plug-and-play printer driver installation should start automatically. Follow the instructions on the screen.



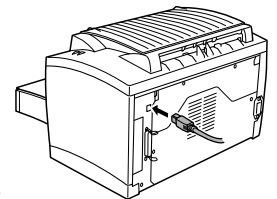
If you're using Windows 95/NT 4.0, or if plug-and-play doesn't start automatically, use the instructions in Section 7, "Install a Windows Driver," to install the printer driver manually.

USB Interface (Windows XP/2000/Me/98)

CAUTION

Using the wrong type of cable can damage the socket on the printer. Use only a USB Revision 1.1 compliant cable.

- 1 Turn off both the PC and the printer.
- 2 Turn on the PC.
- 3 Turn on the printer.
- 4 When Windows and the printer are both ready, connect one end of the interface cable to the PC's USB port.
- 5 Connect the other end of the interface cable to the USB interface connector on the back of the printer.
- 6 Plug-and-play printer driver installation should start automatically. Follow the instructions on the screen. If plug-and-play doesn't start automatically, use the instructions in Section 7, "Install a Windows Driver," to install the printer driver manually.



When asked to search for a driver, select "Display a list of all the drivers in a specific location, so you can select the driver you want," and then locate the driver in the appropriate directory.

- **Windows XP/2000/Me**
 \drivers\language\win2000
- **Windows 98**
 \drivers\language\win9x

6 Connect the Printer to a Macintosh

■ Minimum System Requirements

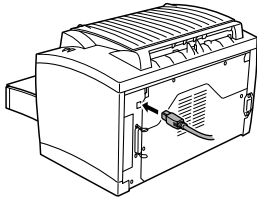
- Apple Macintosh computer with a PowerPC 604 processor
- Macintosh OS 9/OS X
- 128 MB RAM
- 15 MB free hard disk space
- USB port
- CD-ROM drive

■ USB Interface Only

⚠ CAUTION

Using the wrong type of cable can damage the socket on the printer. Use only a USB Revision 1.1 compliant cable.

- 1 Turn on both the Macintosh and the printer.
- 2 When the Macintosh and the printer are both ready, connect one end of the interface cable to the Macintosh's USB port.
- 3 Connect the other end of the interface cable to the USB interface connector on the back of the printer.
- 4 Go to Section 8, "Install a Macintosh Driver."



7 Install a Windows Driver

If you've connected the printer to a Macintosh, go to Section 8, "Install a Macintosh Driver."

- 1 Insert the CD-ROM in your PC's CD-ROM drive. The setup program automatically starts.
- 2 Follow the instructions on the screen to install the printer driver and printer management utilities.
- 3 Register your printer in one of the following ways:
 - On the Main Menu screen, choose Register (Internet connection required).
 - Go to <http://printer.konicaminolta.net/register> (Internet connection required).
 - Fill out and mail in the registration card that came with the printer.
- 4 On the Main Menu screen, choose Exit to close the setup program.
- 5 Remove the CD-ROM, and store it in a safe place.

8 Install a Macintosh Driver

- 1 Insert the CD-ROM in your Macintosh's CD-ROM drive.
- 2 Double-click the MINOLTA-QMS icon to start the installation program.
- 3 Double-click the Install icon.
- 4 Follow the instructions on the screen to complete the installation of the required files on your Macintosh.
- 5 Open the Macintosh Hard Disk icon on the desktop.
- 6 Open the Apple Extras folder (OS 9) or Applications folder (OS 9.1 or later).
- 7 Open the Apple LaserWriter Software folder (OS 9) or Utilities folder (OS 9.1 or later).
- 8 Double-click Desktop Printer Utility.
- 9 Select Printer (USB) from the Create Desktop list, and then choose OK.
- 10 Click [Change] from the PostScript Printer description (PPD) file section to select a specific driver.
- 11 Select MINOLTA-QMS PagePro 1250E, and then choose Select.
- 12 Click [Change] from the USB Printer Selection section to select the USB printer.

- 13 Select PagePro 1250E, and then choose OK.
- 14 Choose Create.
- 15 Select the location and name for your printer, and then choose Save. This completes the installation of the printer driver and the specification of the USB printer settings.
- 16 Remove the CD-ROM and store it in a safe place.
- 17 Register your printer in one of the following ways:
 - Go to <http://printer.konicaminolta.net/register> (Internet connection required).
 - Fill out and mail in the registration card that came with the printer.

9 Safety Information

■ Laser Safety

This is a page printer which operates by means of a laser. There is no possibility of danger from the laser, provided the printer is operated according to the instructions in this manual.

Since radiation emitted by the laser is completely confined within protective housing, the laser beam cannot escape from the machine during any phase of user operation.

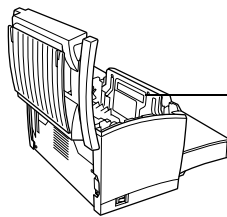
■ Internal Laser Radiation

Maximum average radiation power: 35 μ W at the laser aperture of the print head unit.

Wavelength: 770–795 nm.

This product employs a Class 3b laser diode that emits an invisible laser beam. The laser diode and the scanning polygon mirror are incorporated in the print head unit.

The print head unit is NOT A FIELD SERVICEABLE ITEM. Therefore, the print head unit should not be opened under any circumstances.



Laser aperture of the print head unit

■ For United States Users—CDRH Regulation

This machine is certified as a Class 1 Laser product under the Radiation Performance Standard according to the Food, Drug and Cosmetic Act of 1990. Compliance is mandatory for Laser products marketed in the United States and is reported to the Center for Devices and Radiological Health (CDRH) of the US Food and Drug Administration of the US Department of Health and Human Services (DHHS). This means that this device does not produce hazardous laser radiation.

The label shown below indicates compliance with the CDRH regulations and must be attached to laser products marketed in the United States.

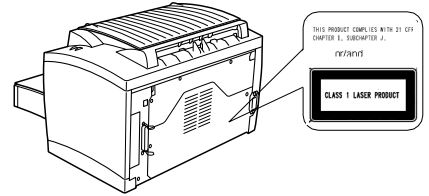
■ Laser Safety Label

⚠ CAUTION



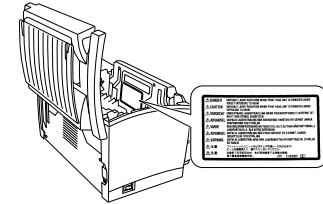
Use of controls, adjustments or performance of procedures other than those specified in this manual may result in hazardous radiation exposure.

This is a semiconductor laser. The maximum power of the laser diode is 5 mW and the wavelength is 770–795 nm. A laser safety label is attached to the back of the printer.



■ Laser Caution Label

A laser caution label is attached inside the printer.



■ Ozone Release

During printer operation, a small quantity of ozone is released. This amount is not large enough to harm anyone adversely. However, be sure the room where the printer is being used has adequate ventilation, especially if you are printing a high volume of materials or if the printer is being used continuously over a long period.

■ For European Users—CE Marking (Declaration of Conformity)

This product complies with the following EU directives: 89/336/EEC, 73/23/EEC, and 93/68/EEC. This declaration is valid for the area of the European Union (EU) only.

This device must be used with a shielded parallel interface cable or shielded USB interface cable. The use of non-shielded cables is likely to result in interference with radio communications and is prohibited under 89/336/EEC rules.

KONICA MINOLTA is a trademark or a registered trademark of KONICA MINOLTA HOLDINGS, INC.

PagePro is a trademark or a registered trademark of KONICA MINOLTA BUSINESS TECHNOLOGIES, INC.

All other trademarks are the property of their respective owners.

Copyrighted (c) 2003 by KONICA MINOLTA BUSINESS TECHNOLOGIES, INC., Marunouchi Center Building, 1-6-1 Marunouchi, Chiyoda-ku, Tokyo, 100-0005, Japan. All Rights Reserved.

1800673-001C

Free Manuals Download Website

<http://myh66.com>

<http://usermanuals.us>

<http://www.somanuals.com>

<http://www.4manuals.cc>

<http://www.manual-lib.com>

<http://www.404manual.com>

<http://www.luxmanual.com>

<http://aubethermostatmanual.com>

Golf course search by state

<http://golfingnear.com>

Email search by domain

<http://emailbydomain.com>

Auto manuals search

<http://auto.somanuals.com>

TV manuals search

<http://tv.somanuals.com>