

Quick Guide



Pi1803e/Pi2001e Printer Controller

Contents

1 Welcome

1.1	END USER LICENSE AGREEMENT	1-2
	1. SOFTWARE	1-2
	2. LICENSE AGREEMENT	1-2
	3. LICENSE	1-2
	4. RESTRICTIONS.....	1-3
	5. LIMITED WARRANTY	1-3
	6. LIMITATION OF REMEDIES.....	1-3
	7. TERMINATION.....	1-3
	8. GOVERNING LAW.....	1-3
	9. GOVERNMENT END USERS.....	1-4
1.2	Trademark Acknowledgements	1-5

2 Getting Ready

2.1	System Requirements	2-1
2.2	Features of Printer Controller Pi1803e/Pi2001e	2-2
	Various Printing Functions.....	2-2

3 Connecting to a Computer

3.1	Types of Connections.....	3-1
	Parallel Port Connection.....	3-1
	USB port connection.....	3-1
	Network Connection	3-1
3.2	Parallel Port Connection	3-2
3.3	USB Port Connection.....	3-3

4 Installing the Printer Driver

4.1	Installing the Printer Driver Using Plug and Play	4-2
	Installing the Printer Driver Using Plug and Play Under Windows XP	4-2
	Installing the Printer Driver Using Plug and Play Under Windows 2000	4-3
	Installing the Printer Driver Using Plug and Play Under Windows Me/98SE/98	4-4

4.2	Installing the Printer Driver Using the Add Printer Wizard.....	4-5
	Installing the Printer Driver Using the Add Printer Wizard Under Windows XP	4-5
	Installing the Printer Driver Using the Add Printer Wizard Under Windows 2000/NT 4.0/Me/98SE/98/95	4-6

5 Specifying the Option Configuration

5.1	Specifying the Option Configuration.....	5-1
	Displaying Settings Under Windows XP	5-1
	Displaying Settings Under Windows 2000/NT 4.0/Me/ 98SE/98/95	5-2

6 Printing

7 Troubleshooting

7.1	Checking Messages	7-1
7.2	Main Messages	7-3

User Instructions

For the U.S.A.

FCC Part 15-Radio Frequency Devices

NOTE

This equipment has been tested and found to comply with the limits for a Class A digital device, pursuant to Part 15 of the FCC Rules. These limits are designed to provide reasonable protection against harmful interference when the equipment is operated in a commercial environment. This equipment generates, uses, and radiates radio frequency energy and, if not installed and used in accordance with the instruction manual, may cause harmful interference to radio communications.

Operation of this equipment in a residential area is likely to cause harmful interference in which case the user will be required to correct the interference at his own expense.

WARNING

The design and production of this unit conform to FCC regulations, and any changes or modifications must be registered with the FCC and are subject to FCC control. Any changes made by purchaser or user without first contacting the manufacturer will be subject to penalty under FCC regulations.

This device must be used with shielded interface cables. The use of non-shielded cables is likely to result in interference with radio communications and is prohibited under FCC rules.

For Canada

Interference-Causing Equipment Standard (ICES-003 Issue 3)

This Class A digital apparatus complies with Canadian ICES-003.

Cet appareil numérique de la classe A est conforme à la norme NMB-003 du Canada.

For Europe

CE Marking (Declaration of Conformity)

This product complies with the following EU directives:
89/336/EEC, 73/23/EEC and 93/68/EEC directives.

This declaration is valid for the area of the European Union.

This device must be used with shielded interface cables. The use of non-shielded cables is likely to result in interference with radio communications and is prohibited under EU directives.

For countries subject to Class B regulations

This device must be used with shielded interface cables. The use of non-shielded cables is likely to result in interference with radio communications and is prohibited under CISPR 22 rules and local rules.

For countries not subject to Class B regulations

WARNING

This is a Class A product. In a domestic environment this product may cause radio interference in which case the user may be required to take adequate measures.

This device must be used with shielded interface cables. The use of non-shielded cables is likely to result in interference with radio communications and is prohibited under CISPR 22 rules and local rules.

1 Welcome

This manual provides information on setting up and using a copier as a PCL printer.

Read these instructions thoroughly before using the functions.

For instructions on using the copier itself and for general safety precautions, refer to the manual provided with the copier.

Store the quick guide and the enclosed CD-ROM in a safe location for future reference.

**Note**

No part of this manual may be copied or reproduced, either in part or in whole, without prior permission.

The contents of this manual are subject to change without notice.

No part of the manual may be reproduced or modified without prior permission.

Screen images used in this manual may differ from the actual screen display.

1.1 END USER LICENSE AGREEMENT

PLEASE READ CAREFULLY THE LICENSE AGREEMENT BELOW BEFORE INSTALLING THE SOFTWARE. INSTALLING THE SOFTWARE INDICATES YOUR ACCEPTANCE OF THE TERMS AND CONDITIONS BELOW. IF YOU DO NOT AGREE WITH THEM, YOU SHOULD PROMPTLY RETURN THE SOFTWARE UNUSED.

1. SOFTWARE

“Software” means the computer program contained in the package, together with all codes, techniques, software tools, format, design, concepts, methods and ideas associated with the computer program and all documentation related thereto.

2. LICENSE AGREEMENT

This is a license agreement for sale. KONICA MINOLTA BUSINESS TECHNOLOGIES, INC. or its affiliate company (hereinafter collectively “KONICA MINOLTA”) owns, or has been licensed from other owners (“KONICA MINOLTA’s Licensor”), copyrights in the Software. Except as in this Agreement, you are not granted any rights to patents, copyrights, trade names, trademarks (whether registered or unregistered), or any other rights, franchises or licenses in respect of the Software. Title to the Software and any copy made from it is retained by KONICA MINOLTA or KONICA MINOLTA’s Licensor.

3. LICENSE

KONICA MINOLTA, hereby grant to you, and you agree to accept a non-exclusive, non-transferable and limited license and you may:

- (1) install and use the Software on a single computer.
- (2) use the Software only for your own customary business or personal purpose.
- (3) make a copy of the Software for backup or installation purpose only in support of the normal and intended use of the Software.
- (4) transfer possession of copies of the Software to another party by transferring a copy of this Agreement and all other documentation along with at least one complete unaltered copy of the Software, provided that (i) you, at the same time, either transfer to such other party or destroy all your other copies of the Software, (ii) such transfer of possession terminates your license with KONICA MINOLTA, and (iii) such other party shall accept and be bound by these license terms with their initial use of the Software.

4. RESTRICTIONS

(1) You shall not without the written consent of KONICA MINOLTA:
(i) use, copy, modify, merge or transfer copies of the Software except as provided herein, (ii) reverse assemble or reverse compile the Software except as permitted by law; or (iii) sublicense, rent, lease or distribute the Software or any copy thereof.

(2) You shall not export or re-export the Software in any form under violation of export restrictions by the government of your country.

5. LIMITED WARRANTY

KONICA MINOLTA warrants the media on which the software is recorded to be free from defects in materials and workmanship under normal use. Warranty details and limitations for the Hardware containing the Software are described in the Statement of Limited Warranty which was supplied with the hardware. With the exception of the foregoing express warranties applicable to hardware and media only, the Software is not warranted and is provided "AS IS".

SUCH WARRANTIES ARE IN LIEU OF ALL OTHER WARRANTIES, EXPRESS OR IMPLIED, INCLUDING, BUT NOT LIMITED TO, THE IMPLIED WARRANTIES OF MERCHANTABILITY AND FITNESS FOR A PARTICULAR PURPOSE.

6. LIMITATION OF REMEDIES

IN NO EVENT WILL KONICA MINOLTA BE LIABLE FOR ANY LOST PROFITS, LOST DATA, OR ANY OTHER INCIDENTAL OR CONSEQUENTIAL DAMAGES THAT RESULT FROM USE OR INABILITY TO USE THE SOFTWARE, EVEN IF KONICA MINOLTA, KONICA MINOLTA LICENSOR OR ITS AUTHORISED REMARKETERS HAVE BEEN ADVISED OF THE POSSIBILITY OF SUCH DAMAGES OR FOR ANY CLAIM BY YOU BASED ON A THIRD PARTY CLAIM.

7. TERMINATION

You may terminate your license at any time by destroying the Software and all your copies of it or as otherwise described in these terms. KONICA MINOLTA may terminate your license if you fail to comply with these terms. Upon such termination, you agree to destroy all your copies of the Software.

8. GOVERNING LAW

This Agreement shall be governed by the laws of the country where the delivery is made to the original customer.

9. GOVERNMENT END USERS

If you are acquiring the Software on behalf of any unit or agency of the United States Government, the following provisions apply. Use, duplication or disclosure by the Government is subject to restrictions as set forth in the Rights in Technical Data and Computer Software clause at FAR 252.227-7013, subdivision (b)(3)(ii) or sub paragraph (c)(1)(ii), as appropriate. Further use, duplication or disclosure is subject to restrictions to restricted rights software as set forth in FAR 52.227-19(c)(2).

YOU ACKNOWLEDGE THAT YOU HAVE READ THIS AGREEMENT, UNDERSTAND IT, AND AGREE TO BE BOUND BY ITS TERMS AND CONDITIONS. NEITHER PARTY SHALL BE BOUND BY ANY STATEMENT OR REPRESENTATION NOT CONTAINED IN THIS AGREEMENT. NO CHANGE IN THIS AGREEMENT IS EFFECTIVE UNLESS WRITTEN AND SIGNED BY PROPERLY AUTHORISED REPRESENTATIVES OF EACH PARTY. BY INSTALLING THIS SOFTWARE, YOU AGREE TO ACCEPT THE TERMS OF THIS AGREEMENT.

1.2 Trademark Acknowledgements

KONICA MINOLTA is a trademark or a registered trademark of KONICA MINOLTA HOLDINGS, INC.

PageScope is a trademark of KONICA MINOLTA BUSINESS TECHNOLOGIES, INC.

Ethernet is a registered trademark of Xerox Corporation.

PCL is a registered trademark of Hewlett-Packard Company.

Microsoft, Windows, and Windows NT are registered trademarks of Microsoft Corporation.

Netscape Communications, the Netscape Communications logo, Netscape Navigator, Netscape Communicator, and Netscape are trademarks of Netscape Communications Corporation.

All other product names are trademarks or registered trademarks of their respective holders.

Copyright© 2004 KONICA MINOLTA BUSINESS TECHNOLOGIES, INC. All rights reserved.

2 Getting Ready

2.1 System Requirements

The following operating environment is required in order to use the printer driver.

CPU		Intel Pentium 200MHz	
Operating system		Windows XP (SP1 or later)/Windows 2000 (SP4 or later)/Windows NT 4.0 (SP6a or later)/Windows Me/Windows 98SE/Windows 98/Windows 95(OSR2.5 with Internet Explorer 4.0 or above)	
Point & Print*1	Domain	Server: Windows 2000 Server	Client: Windows 2000 Professional, Windows NT 4.0 Workstation
		Server: Windows NT 4.0 Server	Client: Windows NT 4.0 Workstation
	Workgroup	Server: Windows 2000 Professional	Client: Windows 2000 Professional, Windows NT 4.0 Workstation
		Server: Windows NT 4.0 Workstation	Client: Windows NT 4.0 Workstation
RAM		128 MB (Windows XP), 64 MB (Windows 2000/NT 4.0/Me/98SE/98/95)	
I/O interface	Parallel	IEEE 1284 (compatible mode, ECP mode, Nibble mode)	
	USB*2	Revision 1.1 port	
	Network*3	Ethernet 10Base-T/100Base-TX (TCP/IP, IPX/SPX)	
		CD-ROM drive	

*1: Point and print is possible with printers shared by Windows servers and clients. (Windows 2000 and NT 4.0 only) Clients inherit the driver settings from the server, such as the device options, watermark, and Easy set setup, and are unable to modify the server settings if the user does not have administrator access of the server.

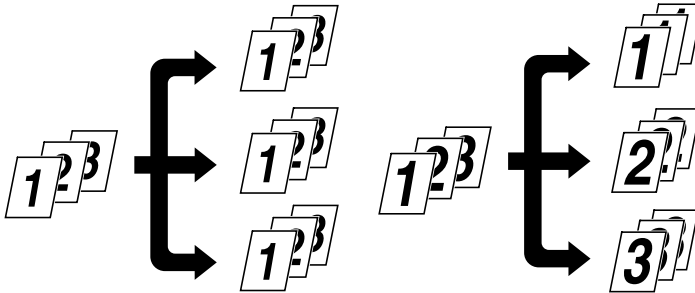
*2: Supported by Windows XP, Windows 2000, Windows Me, Windows 98SE, and Windows 98.

*3: If the optional network interface card is installed, the network port can be used. For details, refer to the User Manual for the Network Interface Card (NC-6).

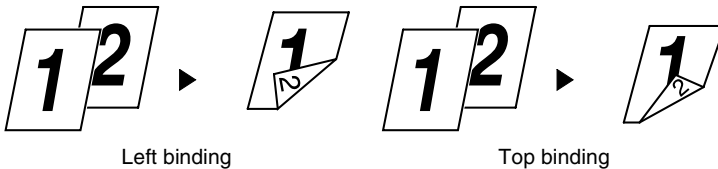
2.2 Features of Printer Controller Pi1803e/Pi2001e

Various Printing Functions

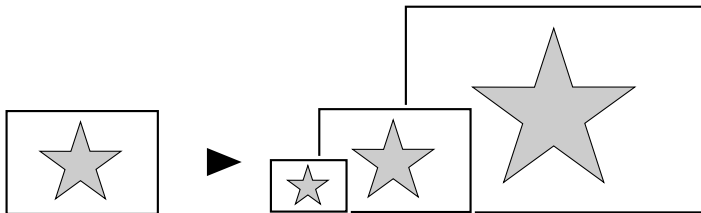
- Prints multiple copies at one time. In addition, the printed pages can be sorted into complete sets, which contain a copy of each page, or into groups where each contains all copies of the same page.



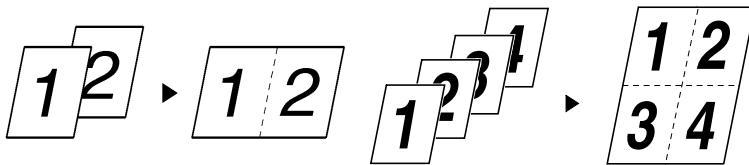
- Prints two pages (one on each side) on a single sheet of paper. This function is not supported by Di1611.



- Prints an enlarged or reduced image of the original.



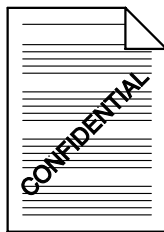
- Prints two or four pages of the original on a single sheet of paper. A maximum of 16 pages can be printed on a single sheet of paper.



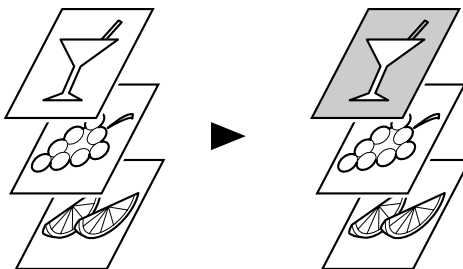
When two pages are printed
on one page

When four pages are printed
on one page

- Prints text in the background.



- Prints only the cover on a different type of paper (such as colored paper).



3 Connecting to a Computer

3.1 Types of Connections

You can use either of the following two methods to connect the machine to a computer.

Parallel Port Connection

Use this type of connection when you want to connect the machine directly to a computer's parallel port. Refer to "*Parallel Port Connection*" on page 3-2.

USB port connection

Use this type of connection when you want to connect the machine directly to a computer's USB port. Refer to "*USB Port Connection*" on page 3-3.

Network Connection

In order to use the machine as a network printer, the Network Interface Card (NC-6) must be installed.

For details on connecting the machine to a network, refer to the User Manual for the Network Interface Card (NC-6).

3.2 Parallel Port Connection

Use the parallel cable to connect the parallel port of the machine to the parallel port of the computer.

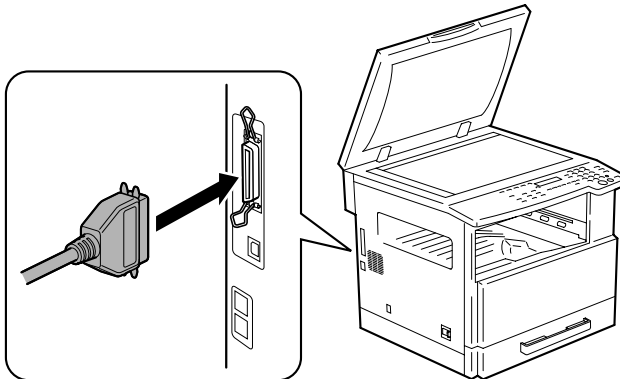


Important!

Be sure to use a shielded parallel cable. Use of an unshielded cable may result in radio frequency interference.

The parallel port is compatible with IEEE1284 Type B standards.

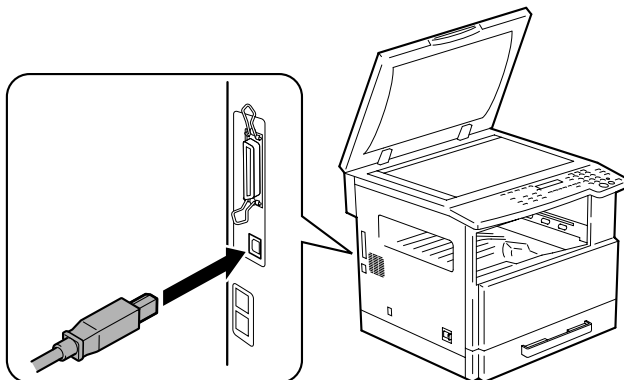
- 1 Turn off both the machine and your computer.
- 2 Connect one end of the parallel cable to the parallel port (printer port) of the computer.
- 3 Connect the other end of the cable to the parallel port on the left side of the machine. Secure the interface cable connectors using the two clips.



This completes connection of the machine to the computer.

3.3 USB Port Connection

Use the USB cable (Type B) to connect the machine's USB port to the USB port on your computer.



4 Installing the Printer Driver

This section describes the procedure for installing the printer driver. The printer driver can be installed in two ways: by using Plug and Play or by using the Add Printer Wizard.

If you want to use this function to install the printer driver:	Follow this procedure:
Plug and Play (for USB connection)	<i>“Installing the Printer Driver Using Plug and Play” on page 4-2</i>
Add Printer Wizard (for parallel connection)	<i>“Installing the Printer Driver Using the Add Printer Wizard” on page 4-5</i>

For network printing, use the Add Printer Wizard to install the printer driver. During installation, select “LPT1” as the printer port.

For details on specifying network connection settings, refer to the User Manual for the network interface card.



Note

In order to use IPP printing, the IPP printing settings must be specified when the printer driver is installed. For details on specifying the IPP printing settings, refer to the manual provided with the network interface card.

If the PCL printer controller is used on Windows 95, Windows 98, Windows 98SE or Windows Me, the Network Setup utility cannot be used.

4.1 Installing the Printer Driver Using Plug and Play

Installation using Plug and Play is not possible on Windows 95 and NT 4.0. Refer to the procedure for using the Add Printer Wizard.

Installing the Printer Driver Using Plug and Play Under Windows XP

- 1 With Windows running, insert the CD-ROM into your computer's CD-ROM drive.
- 2 Turn on the machine.
- 3 When the machine is ready, connect it to the computer with the USB cable.

The "Found New Hardware Wizard" dialog box appears.

- 4 Select **Install from a list or specific location [Advanced]**, and then click [Next].
- 5 Select **Include this location in the search: under Search for the best driver in these locations.**, and then click [Browse].
- 6 Browse to "Driver*(language)*\2k_XP" on the CD-ROM, and then click [OK].



Tip

Select the language you prefer. For example, if you prefer English, browse to:
Driver\English\2k_XP

- 7 Click [Next].
- 8 The "Completing Found New Hardware Wizard" dialog box appears.
 - Click [Finish].
- 9 The "Found New Hardware Wizard" dialog box appears again.
 - Repeat steps 4 through 7.



Note

This completes the installation of the printer driver.

Installing the Printer Driver Using Plug and Play Under Windows 2000

- 1 With Windows running, insert the CD-ROM into your computer's CD-ROM drive.
- 2 Turn on the machine.
- 3 When the machine is ready, connect it to the computer with the USB cable.

The "Found New Hardware Wizard" dialog box appears.

- 4 Select **Search for a suitable driver for my device (recommended)** in the "Install Hardware Device Drivers" dialog box, and then click [Next].

The "Locate Driver Files" dialog box appears.

- 5 Select **Specify a location**, and click [Next].
- 6 Click [Browse...] on the next dialog box, browse to "Driver\(\language)\2k_XP" on the CD-ROM, and then click [OK].



Tip

Select the language you prefer. For example, if you prefer English, browse to:

Driver\English\2k_XP

- 7 Click [OK], and follow the instructions that appear on the screen until the "Completing the Found New Hardware Wizard" dialog box appears.

Click [Finish].

- 8 The "Found New Hardware Wizard" dialog box appears again. Repeat steps 4 through 7.



Note

This completes the installation of the printer driver.

Installing the Printer Driver Using Plug and Play Under Windows Me/98SE/98

- 1 With Windows running, insert the CD-ROM into your computer's CD-ROM drive.
- 2 Turn on the machine.
- 3 When the machine is ready, connect it to the computer with the USB cable.

The "Add New Hardware Wizard" dialog box appears.

- 4 Click [Next], and then select **Search for the best driver for your device (Recommended)** on the next dialog box.
 - Click [Next] again.
- 5 Select [Specify a location], and then click [Browse...].
- 6 Browse to "Driver\<(language)\Win9x" on the CD-ROM, and then click [OK].



Tip

Select the language you prefer. For example, if you prefer English, browse to:

Driver\English\Win9x

- 7 Click [Next], and then follow the instructions that appear on the screen until you can click [Finish].
- 8 The "Add New Hardware Wizard" dialog box appears again.

Repeat steps 4 through 7.



Note

Repeat steps 4 through 7 until the installation is completely finished. This completes the installation of the printer driver.

4.2 Installing the Printer Driver Using the Add Printer Wizard

Installing the Printer Driver Using the Add Printer Wizard Under Windows XP

- 1 With Windows running, insert the CD-ROM into the CD-ROM drive of your computer.
- 2 Click the Windows [Start] button, and then click [Printers and Faxes].
- 3 Select [Add a printer] from the [Printer Tasks] menu.



The Add Printer Wizard starts.

- 4 Follow the instructions that appear on your computer screen.

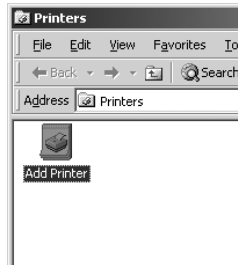


Note

When instructed to specify the driver, browse to "Driver\English\2k_XP" (for Windows XP) on the CD-ROM.

Installing the Printer Driver Using the Add Printer Wizard Under Windows 2000/NT 4.0/Me/98SE/98/95

- 1 With Windows running, insert the CD-ROM into the CD-ROM drive of your computer.
- 2 Click the Windows [Start] button, point to [Settings], and then click [Printers].
The “Printers” window appears.
- 3 Double-click the “Add Printer” icon.



The Add Printer Wizard starts.

- 4 Follow the instructions that appear on your computer screen.



Note

When instructed to specify the driver, browse to “Driver\English\2k_XP” (for Windows 2000), “Driver\English\WinNT” (for Windows NT 4.0), or “Driver\English\Win9x” (for Windows Me, 98SE, 98, and 95) on the CD-ROM.

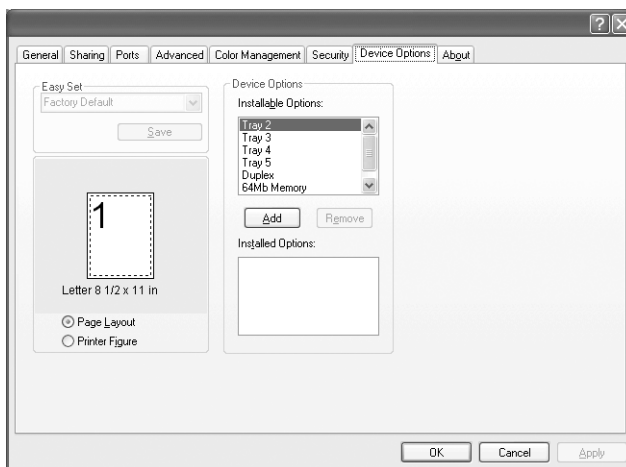
5 Specifying the Option Configuration

Specify the option configuration according to the options installed on the machine.

5.1 Specifying the Option Configuration

Displaying Settings Under Windows XP

- 1 Click the Windows [Start] button, and then click [Printers and Faxes].
- 2 In the “Printers and Faxes” window, select the appropriate printer icon.
- 3 Click [Properties] from the [File] menu.
- 4 Click the [Device Options] tab.



- 5 Specify the options installed in your machine, and then click the [OK] button.
 - To add an available option from the **Installable Options** list to the **Installed Options** list, select the option, and then click the [Add] button.
 - To remove an option from the **Installed Options** list, select the option, and then click the [Remove] button.

**Note**

The options "Tray3-5" and "Duplex" are only supported by Di1811p/Di2011.

Displaying Settings Under Windows 2000/NT 4.0/Me/98SE/98/95

- 1 Click the Windows [Start] button, point to [Settings], and then click [Printers].
- 2 Select the appropriate printer icon.
- 3 Click [Properties] from the [File] menu.
- 4 Click the [Device Options] tab.
- 5 Specify the options installed in your machine, and then click the [OK] button.
 - To add an available option from the **Installable Options** list to the **Installed Options** list, select the option, and then click the [Add] button.
 - To remove an option from the **Installed Options** list, select the option, and then click the [Remove] button.

**Note**

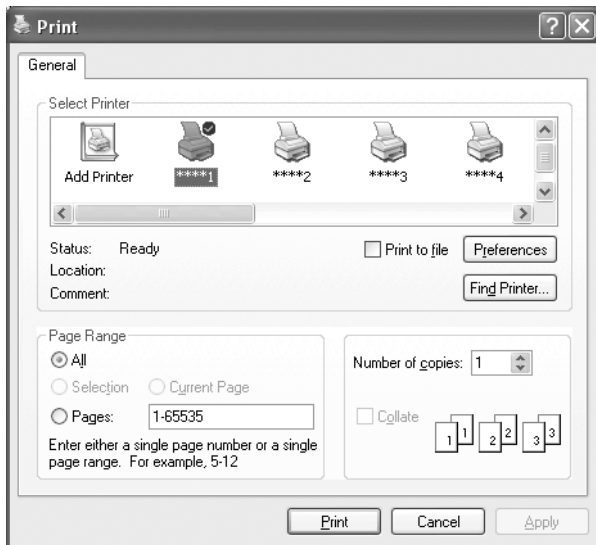
The options "Tray3-5" and "Duplex" are only supported by Di1811p/Di2011.

6 Printing

The general printing procedure is described below.

As an example, the following describes the procedure for printing from the WordPad application, which is included with Windows.

- 1 In the application, open the file to be printed, and then click [Print] from the [File] menu.
- 2 In the “Print” dialog box, check that the printer to be used is selected.
 - If the desired printer is not selected, select it.



- 3 Specify the range of pages to be printed.
 - To specify additional detailed settings such as the paper size and page layout, click the [Preferences] button, and then change the print settings.
- 4 Click the [Print] button to begin printing.

7 Troubleshooting

This section describes the errors that can appear during PC printing and what you need to do to correct the situation.

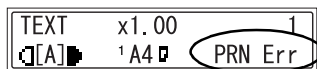
If a problem occurs during PC printing, check the following.

7.1 Checking Messages

The [Error] indicator lights up and “PRN Err” appears in the lower right corner of the display when a PC print error occurs while the machine is in another mode besides the PC print mode. If this happens, follow the procedure below.



<Copy mode>



<Fax mode>



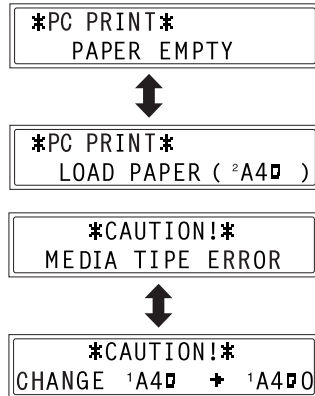
<Scanner mode>



- 1 Press the [Printer] key to enter the PC print mode.



- 2 View the error message on the display.



7.2 Main Messages

The table below describes the main error messages that may appear during the PC print mode operations.

Error Message	Cause	Action
PAPER SIZE ERROR	The paper size specified for a paper tray differs from the size of paper that is loaded.	Load paper of the correct size into the tray.
NO SUITABLE PAPER	“Auto” is selected for Paper Source with the printer driver properties, but none of the machine’s trays contain paper of the size specified for printing.	Tray 1: Change the paper size in the Utility mode, and load the correct paper into the tray. Tray 2-Tray 5 (option): Use a paper feed cassette loaded with
INCORRECT PAPER SIZE	The paper size specified by the printer driver is not loaded in the specified paper tray.	paper of the corresponding size. Bypass Tray: Change the paper that is loaded. (NO SUITABLE PAPER) Press the [Start] key to begin printing with the paper source or paper size specified in Utility mode. (INCORRECT PAPER SIZE) Press the [Start] key to begin printing with the paper size loaded in the tray selected from the printer driver. (Tray 1 and Tray 2-Tray 5)
PAPER EMPTY	There is no paper in the specified tray or the specified tray is not loaded in the machine.	Load paper into the tray or load tray in the machine.

Error Message	Cause	Action
MEDIA TYPE ERROR	The media type specified by the printer driver is not loaded in the specified paper tray.	Change the media type in the Utility mode, and load the correct paper into the tray. Press the [Start] key to begin printing with the media type loaded in the tray selected from the printer driver. (Tray 1 and Tray 2-Tray 5)
MEMORY FULL	The memory is full of stored data.	Press any key, and then turn the machine off, then on again.

**Copyright
2004
KONICA MINOLTA BUSINESS TECHNOLOGIES, INC.
Printed in China**

The information contained in this manual is subject to change without notice to incorporate improvements made on the product or products the manual covers.

KONICA MINOLTA BUSINESS TECHNOLOGIES, INC.

2004. 8

Marunouchi Center Building, 1-6-1 Marunouchi, Chiyoda-ku, Tokyo, 100-0005, Japan

91264C010H014

Download from Www.Somanuals.com. All Manuals Search And Download.

Free Manuals Download Website

<http://myh66.com>

<http://usermanuals.us>

<http://www.somanuals.com>

<http://www.4manuals.cc>

<http://www.manual-lib.com>

<http://www.404manual.com>

<http://www.luxmanual.com>

<http://aubethermostatmanual.com>

Golf course search by state

<http://golfingnear.com>

Email search by domain

<http://emailbydomain.com>

Auto manuals search

<http://auto.somanuals.com>

TV manuals search

<http://tv.somanuals.com>