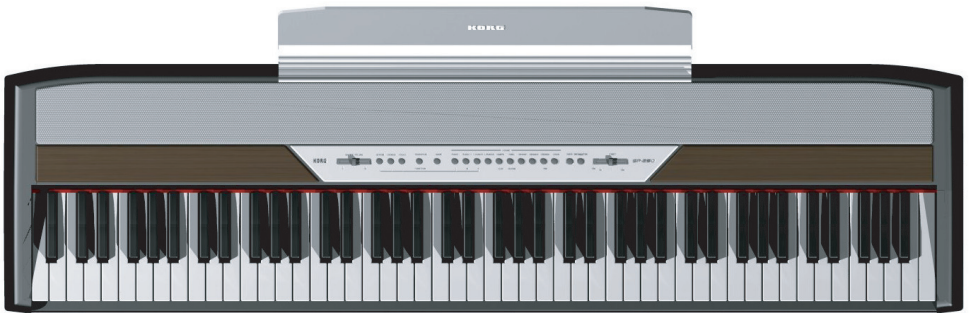


KORG

SP-250



User's Manual

PRECAUTIONS

Location

Using the unit in the following locations can result in a malfunction.

- In direct sunlight
- Locations of extreme temperature or humidity
- Excessively dusty or dirty locations
- Locations of excessive vibration

Power supply

Please connect the designated AC adapter to an AC outlet of the correct voltage. Do not connect it to an AC outlet of voltage other than that for which your unit is intended.

Interference with other electrical devices

This product contains a microcomputer. Radios and televisions placed nearby may experience reception interference. Operate this unit at a suitable distance from radios and televisions.

Handling

To avoid breakage, do not apply excessive force to the switches or controls.

Care

If the exterior becomes dirty, wipe it with a clean, dry cloth. Do not use liquid cleaners such as benzene or thinner, or cleaning compounds or flammable polishes.

Keep this manual

After reading this manual, please keep it for later reference.

Keeping foreign matter out of your equipment

- Never set any container with liquid in it near this equipment. If liquid gets into the equipment, it could cause a breakdown, fire, or electrical shock.
- Be careful not to let metal objects get into the equipment. If something does slip into the equipment, unplug the AC adapter from the wall outlet. Then contact your nearest Korg dealer or the store where the equipment was purchased.

CE MARK FOR EUROPEAN HARMONIZED STANDARDS

The CE mark that is attached to our company's products of AC mains operated apparatus until December 31, 1996 means it conforms to the EMC Directive (89/336/EEC) and to the CE mark Directive (93/68/EEC).

The CE mark that is attached after January 1, 1997 means it conforms to the EMC Directive (89/336/EEC), to the CE mark Directive (93/68/EEC) and to the Low Voltage Directive (73/23/EEC).

In addition, the CE mark that is attached to our company's products of Battery operated apparatus means it conforms to the EMC Directive (89/336/EEC) and to the CE mark Directive (93/68/EEC).

THE FCC REGULATION WARNING (FOR THE U.S.A. ONLY)

This equipment has been tested and found to comply with the limits for a Class B digital device, pursuant to Part 15 of the FCC Rules. These limits are designed to provide reasonable protection against harmful interference in a residential installation. This equipment generates, uses, and can radiate radio frequency energy and, if not installed and used in accordance with the instructions, may cause harmful interference to radio communications. However, there is no guarantee that interference will not occur in a particular installation. If this equipment does cause harmful interference to radio or television reception, which can be determined by turning the equipment off and on, the user is encouraged to try to correct the interference by one or more of the following measures:

- Reorient or relocate the receiving antenna.
- Increase the separation between the equipment and receiver.
- Connect the equipment into an outlet on a circuit different from that to which the receiver is connected.
- Consult the dealer or an experienced radio/TV technician for help.

Unauthorized changes or modification to this system can void the user's authority to operate this equipment.

DISCLAIMER

The information contained in this manual has been carefully revised and checked through. Due to our constant efforts to improve our products, the specifications might differ to those in the manual. Korg is not responsible for any eventual differences found between the specifications and the contents of the instruction manual - the specifications being subject to change without prior notice

WARRANTY

KORG products are manufactured according to the strictest electrical and mechanical regulations that exist in various countries of the world. These products are warranted by the KORG distributor only in each country. Any KORG product that is not sold with the manufacturer's or distributor's warranty, or without a serial number, cannot benefit from servicing under the warranty. This regulation is for the consumer's own protection.

ASSISTANCE AND SERVICE FOR MUSICIANS

For repairs, contact your nearest Authorized KORG Service Center. For more information on KORG products, and to find software and accessories for your piano, please contact your local Authorized KORG distributor.

KORG ON THE INTERNET

Home page Korg Inc.: "<http://www.korg.co.jp>"

Home page Korg USA: "<http://www.korg.com>"

Home page Korg Italy: "<http://www.korgpa.com>"

DATA RESET

When the instrument is turned off, all parameters are reset.

© 2005 Korg Italy Spa. Printed in China.

CONTENTS

	Introduction	7
	Main features	7
1	Panels	9
	Front panel	9
	Rear panel	11
2	Before you begin	12
	Connecting to an external amplification system	12
	Using the headphones	12
	Turning the instrument on	13
	Turning the internal speakers on or off	13
	Adjusting the volume	13
	Listening to the Demo	13
3	Basic functions	16
	Playing a single sound (Single mode)	16
	Playing two sounds at the same time (Layer mode)	16
	Choosing the reverb and the chorus	17
	The damper pedal	18
	The metronome	18
4	Other functions	21
	Touch settings	21
	Transpose	22
	Fine tuning	22
	Selecting a temperament	23
5	MIDI	25
	What is MIDI?	25
	What can you do with MIDI?	25
	Connections	25
	Standard MIDI settings	26
	Selecting the transmission channel	26
	Using the SP-250 as a multitimbral tone generator	27
	Local On/Off	28
	Program Change	28
	Control Change	30
	MIDI Data Dump	30
6	Assembling the stand	33
	Cautions for assembly	33
	Assembling procedure	34
	Check after assembly	39
	Caution	39
7	Appendix	40
	Troubleshooting	40
	Polyphony	40
	Technical specifications	41
	Control panel shortcuts	42
	Control panel and keyboard	42
	MIDI Implementation Chart	172

Introduction

Main features

Wide range of sounds. Thirty different and expressive high-quality sounds, including a Stereo Concert Grand Piano. You can use the Layer function to simultaneously play two sounds.

Effects. The SP-250 provides built-in digital effects that can simulate the natural ambience of a concert hall (Reverb) and add richness to the sound (Chorus).

Damper pedal simulation. The Damper pedal on the SP-250 corresponds to the Damper or Forte pedal of an acoustic piano. On an acoustic piano, when you press this pedal, the pads (dampers) that stop the vibrations of the strings are lifted.

Metronome. The built-in metronome allows you to select the time signature, tempo, and volume, and even use a bell sound as the accent.

Touch control. You can choose from three different settings to adjust how the sound will respond to your keyboard playing dynamics.

Temperaments. In addition to the Equal temperament, the SP-250 allows you to select two alternative classical temperaments (Kirnberger and Werckmeister) for historically accurate performance of classical music. When selecting an acoustic piano sound, the typical Stretched Tuning is automatically selected.

Adjustable pitch. The Transpose function lets you change the pitch of the piano, and the Pitch Control function allows you to make fine tune adjustments.

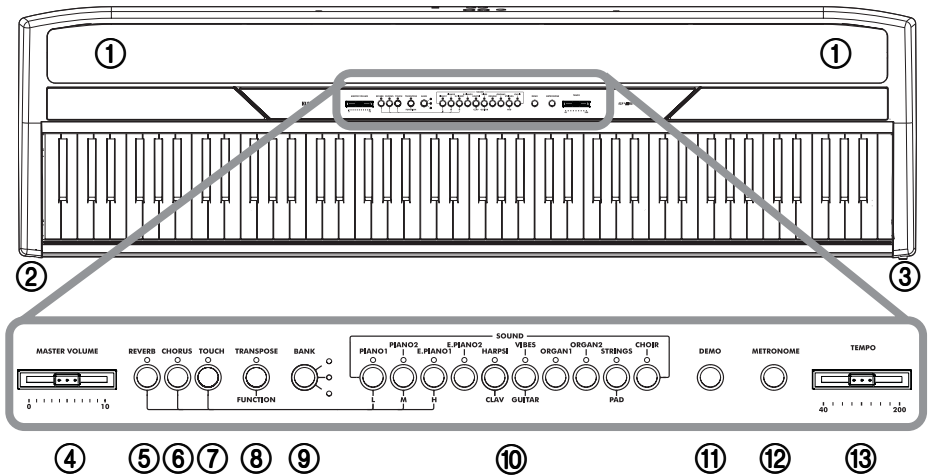
MIDI capabilities. The SP-250 supports the MIDI protocol, the standard that allows music data to be transferred between musical instruments and computers. MIDI allows two or more devices to control or be controlled by each other, and also allows you to use the SP-250 as a 16-part multitimbral tone generator.

Powerful integrated amplification. SP-250 includes a powerful, 11 Watt amplifier, with two 10cm speakers in Bass Reflex box.

Two sets of headphones. You can connect two stereo headphones, to play with your teacher or another musician.

Panels

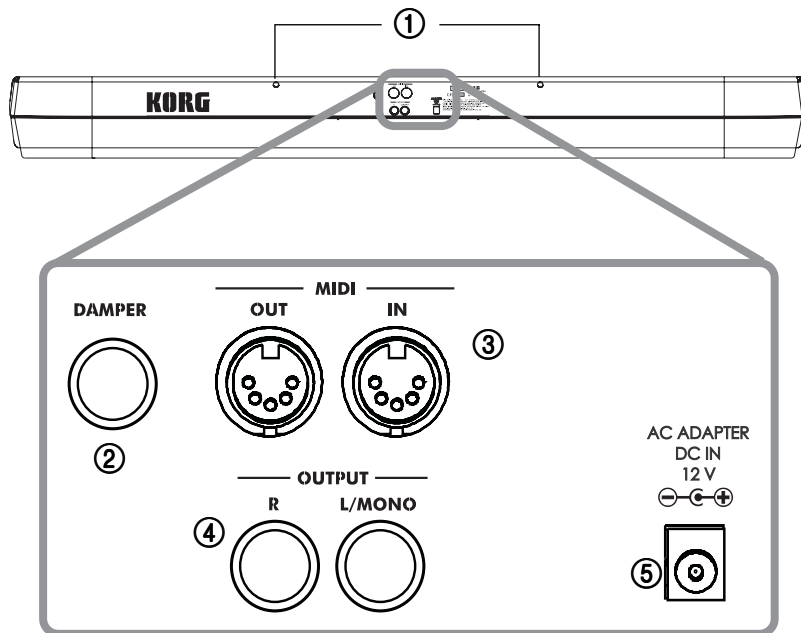
Front panel



- ① **SPEAKERS:** Listen to the piano sound from these powerful speakers. To turn them off, insert a jack in one of the PHONES connectors.
- ② **PHONES connector:** Connect one or two pairs of headphones to these jacks. The integrated speakers will turn off.
- ③ **POWER switch:** On/off switch.
- ④ **MASTER VOLUME slider:** Adjusts the volume for the speakers, the Output and the Phones connectors.
- ⑤ **REVERB button:** Turns the reverb on/off. This adds ambience to the sound.
- ⑥ **CHORUS button:** Turns the chorus on/off. This makes the sound richer.

- ⑦ **TOUCH button:** Lets you select the keyboard sensitivity.
- ⑧ **TRANSPOSE/FUNCTION button:** Multifunction button to be used in order to modify the transpose and fine tuning functions, to program the MIDI parameters and to carry on other adjustments.
Note: When the instrument is turned off, all parameters are reset.
- ⑨ **BANK button:** Selects one of the 3 available banks of sounds.
- ⑩ **SOUND SELECTION buttons:** Press a button to select a sound (Single mode). You can press two buttons at the same time, to play two sounds at the same time on the keyboard (Layer mode).
- ⑪ **DEMO button:** Turns the demo mode on/off, to listen to the demo songs. Select the songs with the sound selection buttons (see above).
- ⑫ **METRONOME button:** Turns the metronome click on/off.
- ⑬ **TEMPO slider:** Adjusts the metronome tempo.

Rear panel

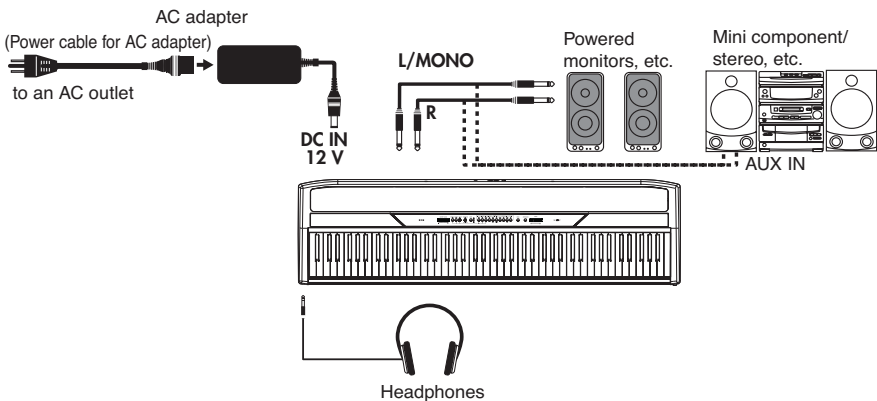


- ① **Music stand holes:** Insert the music stand into these two holes. *Please note that, the first times you use the music stand, you will need to apply some force to insert or remove it. Later, the rubbery plastic material of which the holes are made will adapt to the music stand, making the operation easier to carry on.*
- ② **DAMPER connector:** Connect the supplied pedal to this connector.
- ③ **MIDI (IN, OUT) connectors:** Connectors that are used to connect other MIDI devices (sequencer, keyboards, etc.). OUT: Data output (to be connected to the MIDI IN connector of another MIDI device). IN: Data input (to be connected to the MIDI OUT connector of another MIDI device).
- ④ **OUTPUT (L/MONO, R) connectors:** Audio outputs. Connect these connectors to an external amplifying system. (With a hi-fi system use the AUX or TAPE connectors, not the PHONO connector). To amplify the SP-250 in mono, connect the single L/MONO connector. Use the MASTER VOLUME slider to set the output volume.
- ⑤ **AC ADAPTER connector:** Connect the supplied AC/DC adapter to this connector.

Before you begin

Connecting to an external amplification system

Use the OUTPUT connectors, if you like to connect your SP-250 to a high-quality mixer, stereo hi-fi, or a couple of active monitors. When using a stereo hi-fi, connect the OUTPUTs to the AUX or TAPE inputs (never use the PHONO inputs). For mono amplification, connect only the L/MONO output.



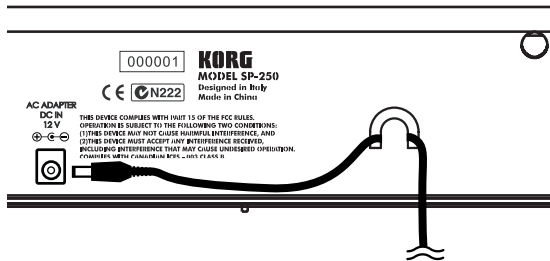
Using the headphones

For playing or practicing during night hours, or when you don't want to be heard by others in the same room, connect one or two pairs of high-quality headphones (32 Ω impedance suggested) to the appropriate PHONES connectors. These connectors are standard 1/4" phone jacks. If your headphones have a mini-jack adapter, grasp the adapter when plugging in or out the headphones.

Warning: When using headphones, protect your hearing by avoiding extended listening at high volumes.

Turning the instrument on

Insert the DC plug of the supplied AC adapter into the DC inlet of the SP-250, then connect the AC plug to a wall socket. You can use the dedicated hook to fix the power cable to the piano's back panel, as shown in the following illustration:



After having connected the power cable, press the POWER switch. When the instrument is turned on, the LEDs on the control panel will light up. To turn the instrument off, press the POWER switch again.

Note: When the instrument is turned off, all parameters are reset.

Turning the internal speakers on or off

Whether you prefer listening to the internal speakers or to an external amplification system, you can turn the internal speakers on or off. Insert a jack (or connect a headphone set) to one of the PHONES connectors to turn the speakers off.

Adjusting the volume

Move the MASTER VOLUME slider towards the right to increase the volume; towards the left to decrease the volume. The maximum is “10”; the minimum (silence) is “0”. This control adjusts the output level of the headphones, the internal speakers and of the OUTPUTs.

Note: It is always better to start with a low volume and then increase gradually.

Listening to the Demo

The SP-250 contains 30 pre-recorded demo songs. Listen to them to experience the rich sound and expressive potential of this instrument.

Listen to all songs at once. You can listen to all demo songs with a single command.

- 1 Press the DEMO button (or keep the TRANSPOSE/FUNCTION button pressed, and press E1 on the keyboard). The sound selection buttons LED will blink sequentially from left to right. After a few seconds, playback will begin. All demo songs will be played back. After the last song, the playback will begin again from the first song.
- 2 During playback, you can press a sound selection button to repeat just the current bank of ten demo songs. (There are three banks of ten demo songs each: 1-10, 11-20, 21-30).
For example, if you press the CHOIR button while song number 1 is playing, song number 10 will immediately start playing, and the playback will cycle from song 1 through song 10.
- 3 Press the DEMO button to stop the playback and exit the demo mode.

Listen to a specified song. You can select just one demo song to be played back.

- 1 First of all, you must select one of the three demo song banks.
 - To select the first bank (1-10), press the DEMO button once. The LEDs will blink sequentially, from left to right.
 - To select the second bank (11-20), press the DEMO button a second time. All LEDs will blink at the same time.
 - To select the third bank (21-30), press the DEMO button a third time. Adjacent LEDs will blink alternatively
- 2 Press one of the sound selection buttons to select the corresponding song in the selected bank. The LED on the selected demo button will stay on, while the other LEDs will turn off.
After the end of the selected song, all the songs of the selected bank will be played back in cycle.

Button	Bank 1 (1-10)	Bank 2 (11-20)	Bank 3 (21-30)
PIANO 1	F. Mendelssohn-Bartholdy: Prelude Op.104a, no.2	Korg Original (M. Tempia): Reflection	C.A. Debussy: Arabesque no.1
PIANO 2	F. Chopin: Nocturne Op.9, no.2	S. Joplin: The Entertainer	J.S. Bach: Two-voice invention no.13
E.PIANO 1	C.A. Debussy: Clair de lune	Korg Original (M. Tempia): Jumper	F. Chopin: Fantasie-Improptu Op.66
E.PIANO 2	Korg Original (M. Tempia): Lullaby for a Little Star	Korg Original (M. Tempia): All the Ones You Don't Know	J.S. Bach: Prelude in C major (from Das Wohltemperierte Klavier)

Button	Bank 1 (1-10)	Bank 2 (11-20)	Bank 3 (21-30)
HARPSI /CLAV	L. van Beethoven: Für Elise	J.S. Bach: Italian Concert	Korg Original (M. Tempia): Rubber Bob
VIBES /GUITAR	F. Chopin: Etude Op.10, no.3	Korg Original (M. Tempia): Jazz in Spain	R. Schumann: Trauerei, Op.15, no.7
ORGAN 1	W.A. Mozart: A la turque (from the Sonata in A-major K.331)	Korg Original (M. Tempia): Cool "B"	F. Mendelssohn-Bartholdy: Spring Song, Op.62, no.6
ORGAN 2	F. Chopin: Valse no.6 in D,-major Op.64, no.1	F. Mendelssohn-Bartholdy: Wedding March	Korg Original (M. Tempia): Sunflowers
STRINGS /PAD	Korg Original (M. Tempia): Old Feather Blues	J.S. Bach: Air on the G string	P.D. Paradisi: Toccata in A major
CHOIR	Korg Original (M. Tempia): Noise of time	Korg Original (M. Tempia): Voice Texture	Korg Original (M. Tempia): Wet Raccoon Rag

- 3 Press the DEMO button to stop the playback and exit the demo mode.

Note: During the demo playback you can't use the sound selection buttons to select sounds, or the REVERB and CHORUS buttons.

Adjusting the tempo of the demo songs. Use the TEMPO slider to change the tempo of the selected demo song. Normally, the playback tempo of the demo song will not match the markings of the TEMPO slider.

Note: You can't use the metronome during the demo playback.

Note: When a demo is selected, its original tempo is recalled.

Basic functions

Playing a single sound (Single mode)

You can select a sound from the thirty sounds supplied with the instrument.

- 1 Press one of the sound selection buttons in order to select a sound. The LED on the button you pressed will light.
- 2 Use the BANK button to select one of the three available banks (1-10, 11-20, 21-30). Pressed a first time it selects Bank 2; pressed a second time it selects Bank 3; pressed a third time it selects Bank 1 again.

Button	Bank 1	#	Bank 2	#	Bank 3	#
PIANO 1	Grand Piano	2	Bright Piano	2	Mellow Piano	2
PIANO 2	Honky-Tonk	2	Detune Piano	2	E.Grand Piano	1
E.PIANO 1	Club E.Piano	2	Stage E.Piano	1	Thin E.Piano	2
E.PIANO 2	80's E. Piano	2	Digital E.Piano	1	Vintage E. Piano	1
HARPSI/CLAV	Harpsichord	1	Clav.	1	Wah Clav.	1
VIBES/GUITAR	Vibraphone	1	Marimba	1	Acoustic Guitar	1
ORGAN 1	Jazz Organ 1	2	Jazz Organ 2	2	Jazz Organ 3	2
ORGAN 2	Church Organ 1	3	Church Organ 2	1	Church Organ 3	1
STRINGS/PAD	Slow Strings	2	Warm Pad	2	Strings	1
CHOIR	Choir Hoo	1	Choir Doo	2	Choir Pad	2

(#) These columns show the number of oscillators per voice used by each sound

Playing two sounds at the same time (Layer mode)

You can play two sounds at the same time on the keyboard. This is called the Layer mode.

Note: When selecting the Layer mode, the total number of voices that can play at the same time is reduced, depending on the total number of oscillators used by the selected sounds.

Note: You can't select two sounds included under the same button.

- 1 Press one of the sound selection buttons in order to select the first sound. The LED on the button you pressed will light. Use the BANK button to select a sound in one of the other banks.
- 2 Press another sound selection button to select the second sound. The LED on the button you pressed will light. Use the BANK button to select a sound in one of the other banks.
- 3 Press both buttons at the same time to select the sounds. Both LEDs will light.

Note: Steps 1 and 2 are not required, if the right banks are already selected.

Returning to the Single mode. To return to the Single mode, just press a single sound selection button.

Adjusting the volume of sounds in Layer mode. To adjust the balance between the sounds in Layer mode, hold down the button of the sound whose level you wish to decrease, and repeatedly press the button of the sound whose level you wish to raise.

Note: This setting will be memorized even after turning the Layer mode off, but will be lost when turning the instrument off. To save these settings, save them using the Data Dump function (see "MIDI Data Dump" on page 31).

Choosing the reverb and the chorus

The SP-250 has two effects: reverb and chorus. The reverb simulates the sound reverberation in a room, while the chorus simulates a modulating effect that makes the sounds richer. The effect settings will be remembered even when selecting a different sound.

Note: Effect settings made in Single mode are memorized even when selecting the Layer mode, but no change made in Layer mode will be preserved.

When the instrument is turned on, the effect settings are reset to the factory settings. To save the Single mode settings, save them using the Data Dump function (see "MIDI Data Dump" on page 31).

- 1 Hold down the REVERB or CHORUS button, and press either the PIANO 1/L, PIANO 2/M, or E.PIANO1/H sound selection button to select the reverb or chorus depth.

Button	Reverb depth	Chorus depth
PIANO 1/L	Light reverb	Light chorus
PIANO 2/M	Normal reverb	Normal chorus
E.PIANO 1/H	Deep reverb	Deep chorus

- 2 To check the currently selected reverb or chorus depth, hold down the REVERB or CHORUS button, and look at which of the above LEDs is turned on.
- 3 To turn the reverb or chorus off, press the REVERB or CHORUS button. The LED on the button will turn off.

The damper pedal

The supplied pedal can be used as a damper pedal. You can also use the half-pedalling, with a gradual resonance effect depending on the depth of the pedal pressure.

In Layer mode, you can select the sound(s) to apply the pedal to.

Note: When the instrument is turned on, the pedal settings are reset. To save these settings, save them using the Data Dump function (see “MIDI Data Dump” on page 31).

- 1 Hold the TRANSPOSE/FUNCTION button, and press the damper pedal. Each time you press the pedal, the LED on the sound selection button(s) where the damper pedal is active will light.
- 2 When the pedal is assigned to the desired sound(s), release the TRANSPOSE/FUNCTION button.

The metronome

The SP-250 incorporates a metronome, with which you can set the tempo during practice.

Starting and stopping the metronome. Press the METRONOME button to make the metronome start or stop. When turning on, the metronome is set according to the slider position, but you can adjust it with the procedure described below. After having listened to the demo, the tempo will be that of the last demo that had been listened to.

Adjusting the metronome volume. While the metronome is playing, keep the METRONOME button pressed and repeatedly press the STRINGS/PAD button (or the B5 key) to lower the volume, or the CHOIR button (or the C6 key) to raise it. To reset the volume, simultaneously press the STRINGS/PAD and CHOIR buttons (or the B5 and C6 keys on the keyboard) while holding the METRONOME button.



Key	Effect	Key	Effect
B5	Lower volume	C6	Higher volume

Adjusting the tempo using the TEMPO slider. Use the TEMPO slider to adjust the tempo. The range is ♩ = 40 ~ 200.

Numeric tempo input. In some cases, you may require an exact tempo (like 127 BPM). It is possible to enter a precise tempo, using the numeric input.

- 1 Hold down the METRONOME button.
- 2 Use the keyboard to input the three-digit tempo value (insert a “0” before a two-number value).



Key	Number	Key	Number
C5	0	C#5	1
D5	2	D#5	3
E5	4	F5	5
F#5	6	G5	7
G#5	8	A5	9

For example, to select a tempo value of 168, keep the METRONOME button pressed, then press C#5 (1), F#5 (6), G#5 (8). To select a tempo value of 85, keep the METRONOME button pressed, then press C5 (0), G#5 (8), F5 (5).

Selecting the time signature. You can add an accent to the first beat of a measure.

Button	Time signature
PIANO 1	2 movements (2/4, 2/8...)
PIANO 2	3 movements (3/4, 3/8...)
E.PIANO 1	4 movements (4/4, 4/8...)
E.PIANO 2	6 movements (6/4, 6/8...)

- 1 While the metronome is working, keep the METRONOME button pressed and press the button that corresponds to the time signature you wish to use (see table above). The first movement of the measure will be accented.
- 2 To deactivate the accent, keep the METRONOME button pressed and press the sound selection button whose LED is lit.

Note: When the instrument is turned on, the accent is automatically disabled.

Selecting a bell for the accent. The accented beat can be changed to a bell sound.

- 1 While the metronome is playing, hold down the METRONOME button, then press the VIBES/GUITAR sound selection button. The LED on the button will light, and a bell sound will be heard on the first beat of the bar.
- 2 To return to the normal accent, hold down the METRONOME button and press the HARPSI/CLAV sound selection button to switch on the LED on the HARPSI/CLAV button.

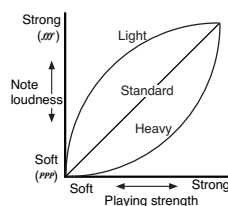
Note: When the instrument is turned on, the bell is automatically disabled.

Other functions

Touch settings

The keyboard sensitivity, or touch, can be programmed. Keep the TOUCH button pressed, and press the appropriate button to select one of the available touch settings.

Button	Touch sensitivity
PIANO 1/L	Light. Loud notes can be produced even by playing lightly.
PIANO 2/M	Normal. Normal piano touch.
E.PIANO 1/H	Heavy. Loud notes can be produced only by playing very hard.



To check the currently selected setting, hold down the TOUCH button, and look at which of the above LEDs is turned on.

Note: When the instrument is turned on, the touch setting is reset to Normal.

Alternatively, you can use the TRANSPOSE/FUNCTION button and the keyboard. Hold the TRANSPOSE/FUNCTION button, and press the key on keyboard that corresponds to the touch setting you wish to carry out (see table).

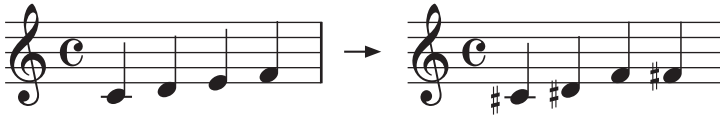


Key	Touch sensitivity
B3	Light. Loud notes can be produced even by playing lightly.
C4	Normal. Normal piano touch.
D4	Heavy. Loud notes can be produced only by playing very hard.

Transpose

In some cases, a song may be written in a difficult key (e.g., many black keys), or you may wish to shift the pitch to match another instrument or vocalist. In such cases, you can transpose (shift the pitch) so that you can use an easier fingering, or use the same familiar fingering to play at a different pitch. This is called the Transpose function.

For example if you transpose upward by one semitone, playing the notes shown at the lower left will produce the pitches shown at the right.



Note: When the instrument is turned on, the transposing is reset.

- 1 Hold the TRANSPOSE/FUNCTION button, and press the key on keyboard that corresponds to the transpose you wish to carry out (see table). The TRANSPOSE/FUNCTION LED will remain lit up, to indicate that the transpose function is active.



Key	Effect
F#6 – B6	6 – 1 semitones below
C7	Standard pitch
C#7 – F7	1 – 5 semitones higher

- 2 To get back to standard pitch, hold the TRANSPOSE/FUNCTION button and press the C7 key. The TRANSPOSE/FUNCTION LED will turn off.

Fine tuning

In order to adapt the SP-250 pitch to that of another instrument, you can adjust the pitch in steps of 0.5 Hz over a range of $A_4 = 427.5 \sim 452.5$ Hz. The standard tuning is $A_4 = 440$ Hz.

Note: The pitch will go back to standard level ($A_4 = 440$ Hz) when the instrument is turned off, then on again.

- 1 Hold the TRANSPOSE/FUNCTION button, and press the corresponding key to change the pitch. Each time the B5 or C6 key is pressed, the pitch will be raised or lowered by 0.5 Hz.
- 2 To get back to standard pitch, hold the TRANSPOSE/FUNCTION button and press the B5 and C6 buttons at the same time.



Key	Fine tuning
B5	Lowers the pitch by 0.5 Hz
B5+C6	Standard pitch (A4 = 440 Hz)
C6	Raises the pitch by 0.5 Hz

Selecting a temperament

There are numerous classical compositions that were composed using temperaments that differ from the “equal temperament” commonly used today. In order to reproduce the original sound of such compositions, the SP-250 provides Kirnberger and Werckmeister classical temperaments, in addition to the equal temperament, allowing you to select from a total of three temperaments.

To select one of the available temperaments, hold down the TOUCH button, then press the button corresponding to the desired temperament. To return to the equal tuning hold down the TOUCH button, then press the sound selection button whose LED is lit.

Button	Temperament
Both LEDs turned off	Equal temperament. Nearly all keyboard instruments today use equal temperament. This temperament spaces all semitones at equal distances, and allows identical scales to be played in any key.
HARPSI/CLAV	Werckmeister. This is the Werckmeister III scale invented by Andreas Werckmeister, the German organist and music theoretician. This scale was created in the later Baroque period to allow relatively free transposition.
VIBES/GUITAR	Kirnberger. This is the Kirnberger III scale invented by Johann Phillip Kirnberger in the early 18th century, and is used mainly for tuning harpsichords.

To check the currently selected temperament, hold down the TOUCH button, and look at which of the above LEDs is turned on.

Note: When the power is turned on, the equal temperament will be automatically selected.

About stretched tuning. In order to produce the most natural resonance, PIANO 1 and PIANO 2 sounds use a “stretched tuning” that makes the notes of the lower range slightly flatter than equal temperament, and the upper range slightly sharper. This is how an acoustic piano is normally tuned by professional tuners.

MIDI

What is MIDI?

MIDI, is the abbreviation of Musical Instrument Digital Interface. It is an international standard that was created to connect and transfer data between electronic musical instruments, computers and other devices.

What can you do with MIDI?

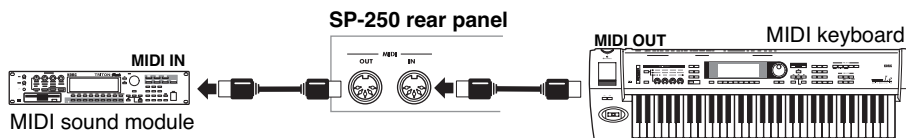
Thanks to MIDI, you can use the SP-250 to control other instruments, use other instruments to control the SP-250, and use a sequencer to create complex musical pieces.

When you use the SP-250 keyboard or pedal, or select a sound, the notes, pedal activation and change in sound are transmitted to another instrument, or are recorded by a sequencer.

Connections

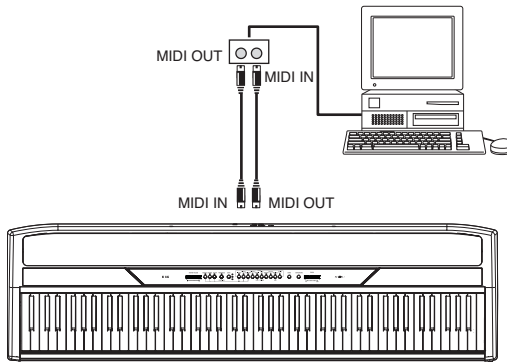
Always connect the MIDI OUT connector of the instrument to the MIDI IN connector of another instrument. Never connect two connectors of the same instrument to each other.

Connect the MIDI OUT connector of the transmitting (master) device to the MIDI IN connector of the receiving (slave) device.



To connect the SP-250 to a computer, you need a MIDI interface for the computer, sequencing or musical notation software, and two standard MIDI cables. Connect

the SP-250 MIDI OUT connector to the MIDI IN connector of the computer. Connect the SP-250 MIDI IN connector to the MIDI OUT connector of the computer.



Standard MIDI settings

When turning the instrument on, the MIDI parameters of the SP-250 are programmed as follows:

Parameter	Setting
Transmission channel	1
Reception channel(s)	All 16 (1-16)*
Local	ON
Omni	OFF

(*) On channel 10, only metronome notes are received (D#5, E5).

Selecting the transmission channel

The standard MIDI has 16 separate channels available for transmission and reception of data. SP-250 always receives on all 16 channels, and transmits on a single channel. To transmit data from the SP-250, you need to choose which of the 16 channels you wish to transmit data on.

Hold down the TRANSPOSE/FUNCTION button, and press the note in the range C2–D#3 corresponding to the desired MIDI channel.



Key	Channel	Key	Channel
C2	1	C#2	2
D2	3	D#2	4
E2	5	F2	6
F#2	7	G2	8
G#2	9	A2	10
A#2	11	B2	12
C3	13	C#3	14
D3	15	D#3	16

Note: When the power is turned on, channel 1 will automatically be selected.

Note: By default, channel 10 will automatically be assigned to the metronome sound (notes D#5-E5).

Note: In Layer mode, the second sound transmits on the following channel. For example, if you select channel 7, the first sound will transmit on channel 7, while the second sound will transmit on channel 8. If you select channel 16, the first sound will transmit on channel 16, while the second sound will transmit on channel 1 (cycling back to the first channel).

Using the SP-250 as a multitimbral tone generator

When SP-250 is controlled from an external MIDI device, it can work as a 16-part multitimbral tone generator. You can select a different sound on each of the 16 MIDI channels.

- 1 Use a MIDI cable to connect the SP-250's MIDI IN to the MIDI OUT of a sequencer etc.
- 2 Transmit MIDI data from the connected sequencer (or other device). See “Program Change” on page 28 for instructions on how to select a sound using the MIDI Program Change message. Program Change reception must be activated on the SP-250 (it is by default).

Read the other devices user's manual for details on sending Program Change messages.

Local On/Off

Local is the parameter that allows you to establish whether the keyboard has to play the internal sounds and transmit MIDI data at the same time (Local On), or whether it just has to transmit MIDI data and not play the internal sound (Local Off).

Local Off should be chosen when you wish to use the SP-250 as a mute keyboard, to play another instrument. It should be chosen also when SP-250 is connected to a sequencer via its MIDI IN and MIDI OUT connectors. This will avoid the notes to be played twice, by the keyboard and by the sequencer, producing an annoying "echo" effect.

Normally, you will choose Local On (automatically selected when turning the SP-250 on), so that playing the keyboard will produce sound.

Hold down the TRANSPOSE/FUNCTION button, and press the PIANO 1 sound selection button. The Local setting will alternate to On/Off each time you press this button.

Local status	PIANO 1 LED status
Local On	Lit
Local Off	Dark

Note: When the power is turned on, the Local will be automatically set to On.

Program Change

The sound of the SP-250 can be selected via MIDI, by sending a Program Change message on the channel where you wish to assign the sound. The table enlists the Program Change numbers (numbering from 0-29; if the transmitting device uses numbers from 1-30, you will need to increment the number by one).

Transmitting Program Change messages. You can send a MIDI Program Change message to a MIDI device connected to the SP-250 MIDI OUT, to change its sound. When selecting one of the internal sounds of the SP-250 by using the sound selection buttons, a MIDI Program Change number will be transmitted, as shown in the table below.

Receiving Program Change messages. When a Program Change message is received from an external device, the corresponding internal sound will be selected

on the SP-250, as shown in the following table. Only Program Change (PC) numbers in the range 0–29 have effect on the SP-250, while other numbers (30-127) are ignored.

PC#	Button	Bank	Sound
0		1	Grand Piano
1	PIANO 1	2	Bright Piano
2		3	Mellow Piano
3		1	Honky-Tonk
4	PIANO 2	2	Detune Piano
5		3	E.Grand Piano
6		1	Club E.Piano
7	E.PIANO 1	2	Stage E.Piano
8		3	Thin E.Piano
9		1	80's E.Piano
10	E.PIANO 2	2	Digital E.Piano
11		3	Vintage E.Piano
12		1	Harpsichord
13	HARPSI/CLAV	2	Clav.
14		3	Wah Clav.
15		1	Vibraphone
16	VIBES/GUITAR	2	Marimba
17		3	Acoustic Guitar
18		1	Jazz Organ 1
19	ORGAN1	2	Jazz Organ 2
20		3	Jazz Organ 3
21		1	Church Organ 1
22	ORGAN2	2	Church Organ 2
23		3	Church Organ 3
24		1	Slow Strings
25	STRINGS/PAD	2	Warm Pad
26		3	Strings
27		1	Choir Hoo
28	CHOIR	2	Choir Doo
29		3	Choir Pad

Program Change enable/disable. To transmit and receive this kind of data, you must enable Program Change messages transmission and reception. Otherwise, you can disable Program Changes data.

Hold down the TRANSPOSE/FUNCTION button, and press the PIANO 2 sound selection button. Each time you press the switch, the setting will alternate between Enabled and Disabled.

Program Change status	PIANO 2 LED status
Enable	Lit
Cancel	Dark

Note: When the power is turned on, program changes will be enabled for all MIDI channels.

Control Change

When you operate the damper pedal, adjust the balance in Layer mode, or make other adjustments on the control panel, a Control Change message is sent to a connected external MIDI device. At the same time, SP-250 can receive a Control Change message from an external MIDI device connected to its MIDI IN, to control the damper pedal, volume adjustment, and other data.

Control Change enable/disable. To transmit and receive this kind of data, you must enable Control Change messages transmission and reception. Otherwise, you can disable Control Changes data.

Hold down the TRANSPOSE/FUNCTION button, and press the E.PIANO 1 sound selection button. Each time you press this button, the setting will alternate between Enabled and Disabled.

Control Change status	E.PIANO 1 LED status
Enabled	Lit
Disabled	Dark

Note: When the power is turned on, Control Change messages will be enabled on all MIDI channels.

MIDI Data Dump

You can save the current sound settings (Single or Layer mode) on an external MIDI storage device, like a sequencer or a MIDI data filer. You can later reload these data into the SP-250, to restore a saved set of data.

Warning: To avoid losing data, carefully read the owner's manual of your MIDI data filer. Loading data into the memory of the SP-250 will erase all existing data.

Hint: To avoid any trouble, don't forget to deactivate System Exclusive data reception on the connected device.

The following table shows which data are saved with the Data Dump.

Category	Data
Single mode	Reverb and chorus settings (on/off status, send level)
Layer mode	Balance between sounds, damper pedal on/off status for each sound.

Saving data to the data filer. Here is how to save the data of the SP-250.

- 1 Use a MIDI cable to connect the SP-250 MIDI OUT to the MIDI IN of the data filer.
- 2 Prepare the data filer to receive MIDI data.
- 3 On the SP-250, hold down the TRANSPOSE/FUNCTION button, and press the VIBES/GUITAR sound selection button. The LEDs of the TRANSPOSE/FUNCTION and VIBES/GUITAR buttons will blink, indicating that the SP-250 is ready to transmit the data dump.
- 4 Press the TOUCH button. The data dump will begin, and the sound setting data will be transmitted to the data filer.

During a data dump operation, the SP-250 will not produce sound, and no other function will work. When the data dump is completed, you will return to normal playing condition.

You may cancel a data dump operation before the data dump begins, by pressing the TRANSPOSE/FUNCTION or VIBES/GUITAR button.

Loading data from the data filer. You can load into the SP-250 data you previously saved on a data filer.

- 1 Use a MIDI cable to connect the MIDI IN of the SP-250 to the MIDI OUT of the data filer.

- 2 On the SP-250, hold down the TRANSPOSE/FUNCTION button and press the VIBES/GUITAR sound selection button. The LEDs of the TRANSPOSE/FUNCTION and VIBES/GUITAR buttons will blink, and the SP-250 will wait to receive the data dump.
- 3 Set the data filer to send the sound setting data that were previously saved from the SP-250. Please read the data filer owner's manual for details on data transmission.

The SP-250 will receive the data.

When the data dump is finished, the SP-250 will return to the same status it was before the data dump.

During a data dump operation, the SP-250 will not produce sound, and no other function will work.

You may cancel a data dump operation before the data dump begins, by pressing the TRANSPOSE/FUNCTION or VIBES/GUITAR button.

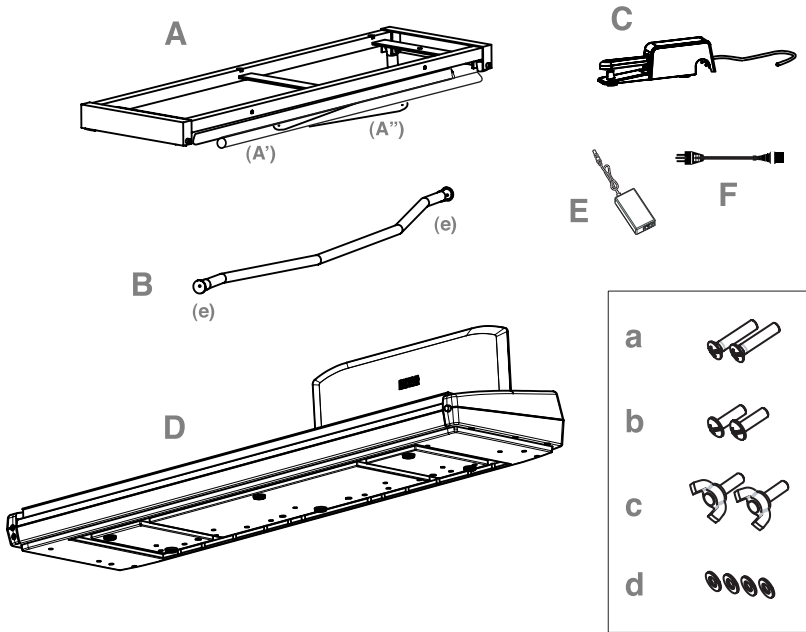
Assembling the stand

Cautions for assembly

- When placing the piano on the stand, be careful not to pinch your hands.
- Be sure that the correct parts are assembled in the correct orientation and position, and follow the steps in order.
- Do not apply weight to the front edge of the piano before tightening the screws, otherwise the piano may fall down.

Assembling procedure

- 1 Open the packing carton and take out the contents. Check that all of the following items are available.

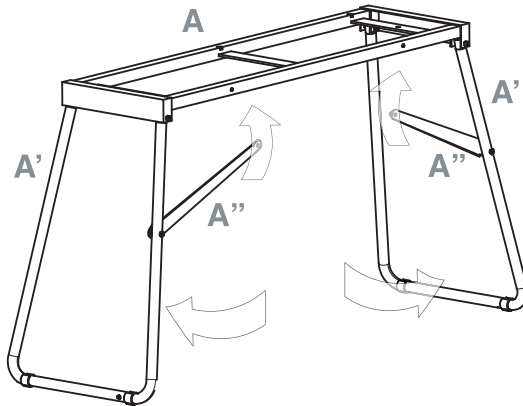


List of parts

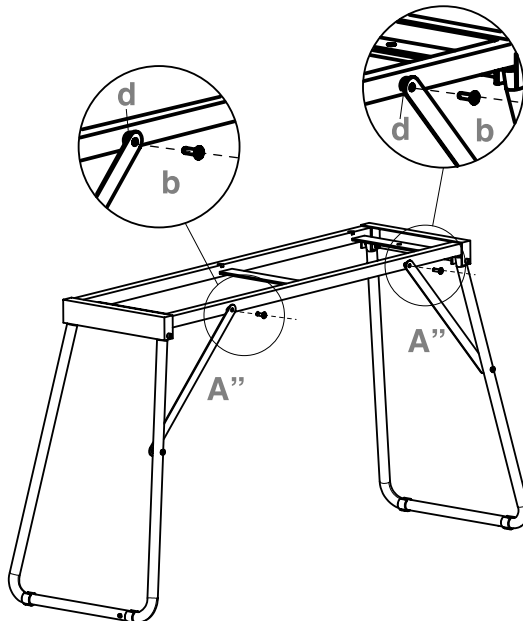
A	Piano stand (includes parts A' and A'' – please refer to the next page)	× 1
B	Pedal “beam” (includes parts e – see page 36)	× 1
C	Pedal	× 1
D	Piano (main body)	× 1
E	Power supply	× 1
F	Power cable	× 1
a	Long screws M6×30	× 2
b	Short screws M6×20	× 2
c	Wing bolts M6×20	× 2
d	Washers	× 4

NB: You will need a cross-point (Phillips #2) screwdriver for assembly.

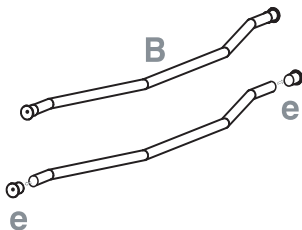
- 2 Open the stand (A) by unfolding the legs (A') and diagonal bars (A''), as shown in the following illustration.



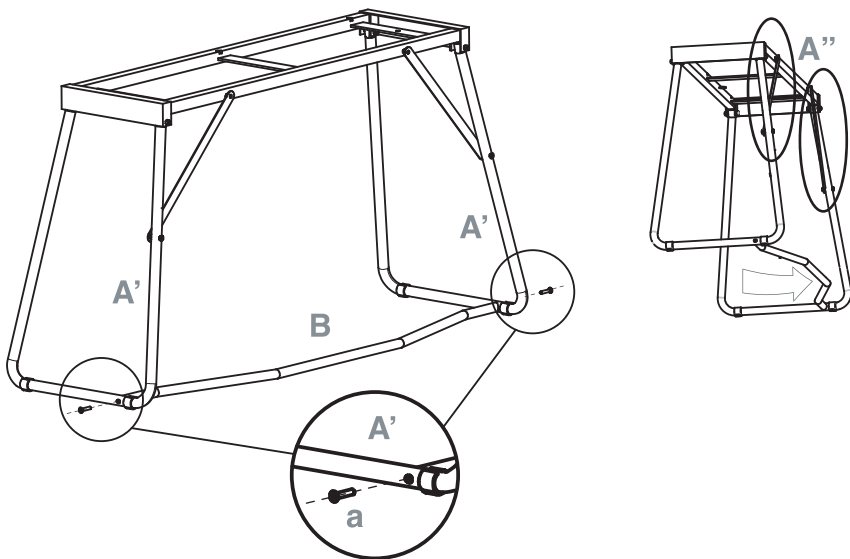
- 3 Use the two short screws (b) to fix the diagonal bars (A''). Be sure you insert a washer (d) between the diagonal bar and the hole in the stand.



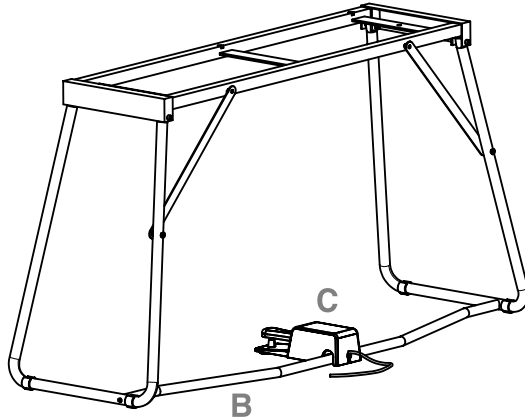
4 Prepare the pedal beam (B), by removing the two caps (e) from both sides.



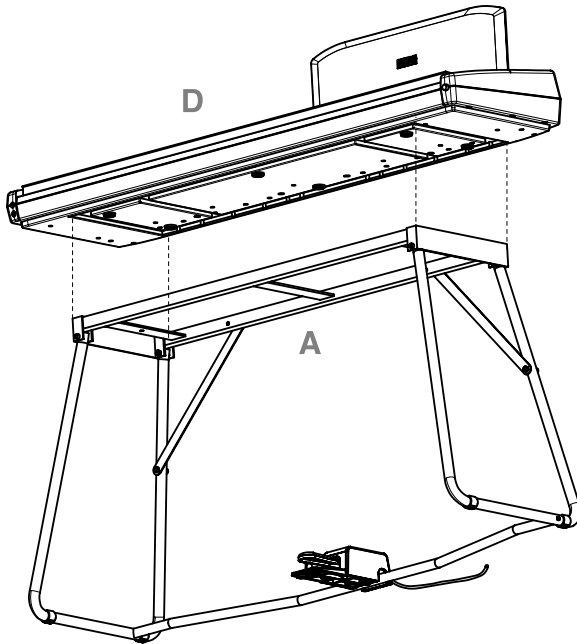
5 Fit the pedal beam (B) and the legs (A') together, with the curved part pointing toward the back of the stand (as shown in the illustration). Fix them by using the two long screws (a).



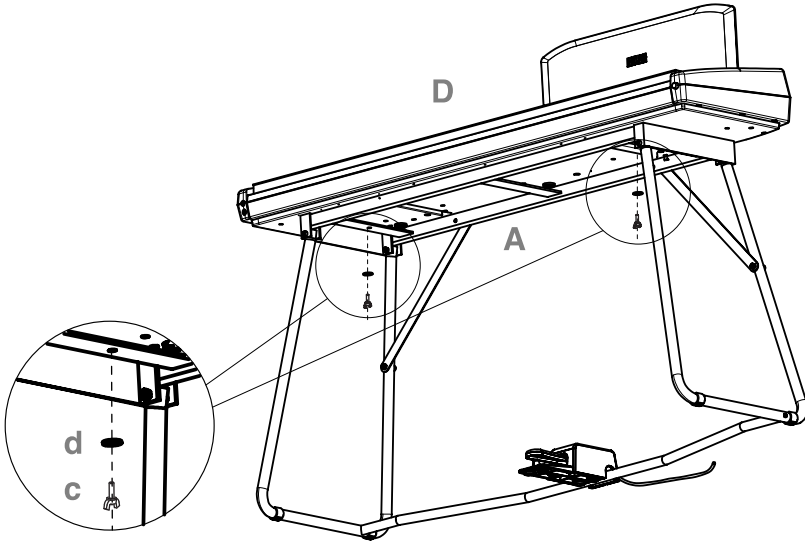
6 Lay the pedal (C) on the pedal bar (B).



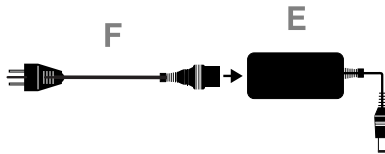
7 Lift the piano (D) with two or more people, and fix it to the stand (A), so that the carved, molded guides on the bottom of the piano perfectly match the top of the stand.



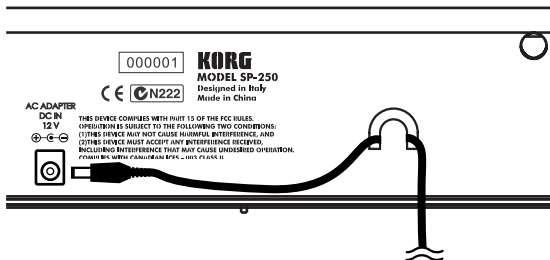
- 8 Fix the piano (D) to the stand (A) from below, by using the two wing bolts (c). Be sure you insert a washer (d) between the stand's bottom surface and each of the wing bolts.



- 9 Assemble the power cord (F) to the separate power supply unit (E).



- 10 Connect the pedal and power cables to the corresponding piano connectors. Fix the power supply cable with the dedicated cable-holder, as shown in the diagram.



- 11 Place the piano in the location where it will be played. Please be sure to place it over a flat floor, to avoid any shaking.

Note: Be careful not to pinch the power cable under the piano feet.

- 12 Tighten and check all the screws.

Check after assembly

- [•] Are any parts left over?

If any parts are left over, check the diagrams to see where they should be used.

- [•] Make sure that all screws are tight.

Caution

Caution when transporting the instrument. Remove the piano from its stand, and transport them separately. After transportation, refer to these instructions and re-assemble the piano and stand.

Screw loosening. After assembly, the various screws and bolts of the stand may loosen as time goes by, causing the stand to wobble. If this occurs, re-tighten the screws.

Disassembly. If you need to pack up the piano, reverse the assembly order by which the piano was attached to the stand and the stand was assembled. After disassembly, save the screws and other parts so that no parts are lost.

Appendix

Troubleshooting

If during use any of the following problems should occur, carefully examine the instrument to see if you can find out what the problem is, and try resolving it by following the suggestions below. If the instrument will still not function properly refer to your dealer or to an Authorized Korg Service Center.

Problem	Possible remedy	Page
The instrument will not turn on.	Check that the AC adapter is correctly connected to the piano and the outlet.	11
No sound.	(1) Make sure that the volume is not set on 0. If it is, bring it up to an adequate level.	13
	(2) Make sure there is not a jack plugged into one of the PHONES connectors. This would turn the internal speakers off. If so, unplug the jack.	13
	(3) Make sure that the MIDI Local function is not set on OFF. If it is, set it to ON (or turn the instrument off and then on again).	28

Polyphony

The SP-250 contains sampled sounds, which have been recorded, analyzed and processed from the actual sounds of the original musical instruments. These sounds usually consist of one or more different samples reproduced by pressing a key. Each sample is played back by a single oscillator. Sounds using just one oscillator have a full polyphony of max. 60 voices, while sounds using two oscillators have a limited polyphony of max. 30 notes. Sounds using more oscillators have a more limited polyphony. When the number of notes exceeds the limit of the sound, some notes will be stopped, so that the new ones can be heard.

Furthermore, when playing in Layer mode with more than two notes, the max. polyphony depends on how many oscillators are used in total. Using the REVERB, CHORUS further reduces the polyphony, respectively, by 10 and 3 notes.

Please refer to the table on page 16 for more information about the number of oscillators used by each sound.

Technical specifications

Specifications	SP-250
Keyboard	88 notes, velocity sensitive, with Korg RH3, Real Weighted Hammer Action
Touch selection	Light, Normal, Heavy
Tuning	Transpose, Fine tuning, Temperament (Equal, Kirnberger, Werckmeister)
Sound generation	Stereo PCM System
Polyphony	60 notes (max). The use of 2-oscillator sounds, the Layer mode and/or the reverb or chorus reduces the maximum number of simultaneous notes.
Sounds	30 sounds in ROM
Effects	Reverb, Chorus (3 levels each)
Demo	30 incorporated demos
Metronome	Tempo, Time signature, Accent and Volume controls
Pedal	Damper (included). Half-pedalling supported.
Connections	Audio output (OUTPUT L/MONO, R), 2 × Headphones, MIDI (IN, OUT), Damper
Controls	Power switch, Master Volume, Reverb, Chorus, Touch, Transpose/Function, Bank, Sound selectors, Tempo, Metronome, Demo
Amplification	2 × 11 Watt amplifier, 2 × 10cm speakers in Bass Reflex box
Power supply	External switching adapter, AC100~240V, 50/60Hz, to DC12V, 3.5A
Power consumption	42 Watt
Dimensions (W x D x H)	50.9 × 14.9 × 5.5 inch (1295 × 380 × 140 mm), excluding stand and music stand
Weight	41.8 lbs (19 kg), excluding stand and music stand
Included accessories	AC adapter; Damper Pedal; Music stand, Piano stand

Sounds processed with INFINITY™.

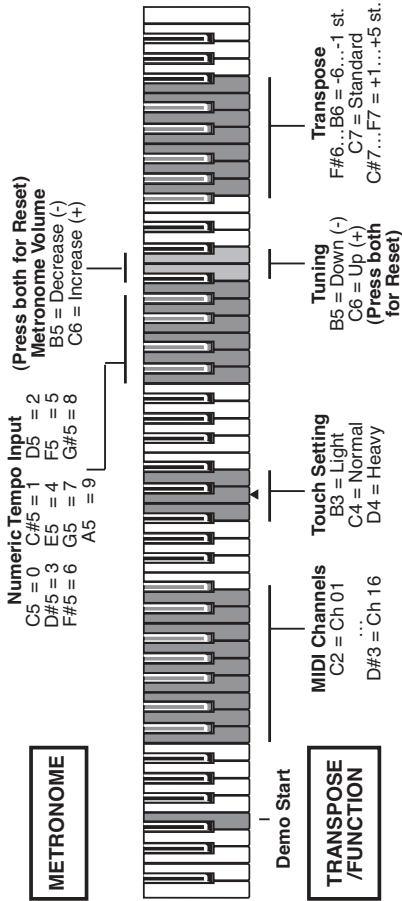
Korg reserves the right to change the specifications without notice.

Control panel shortcuts

...while pressing this one Keep this button pressed...	PIANO 1	PIANO2	E.PIANO 1	E.PIANO 2	HARPSI/CLAV	VIBES/GUITAR	ORGAN 1	ORGAN 2	STRINGS/PAD	CHOIR
REVERB	Depth = Low	Depth = Medium	Depth = High							
CHORUS	Depth = Low	Depth = Medium	Depth = High							
TOUCH	Light	Normal	Heavy		Werkmeister	Kirnbeger				
METRONOME	Time: 2/4	Time: 3/4	Time: 4/4	Time: 6/4	Accent	Bell sound			Metro Vol. Dec.	Metro Vol. Inc.
TRANSPOSE/FUNCTION	Local On/Off	Prg.Change Rv/Tx	Ctrl.Change Rv/Tx			Data Dump				

Control panel and keyboard

The following diagram shows the various functions you can access by holding the METRONOME or TRANSPOSE/FUNCTION button down, while pressing one of the notes on the keyboard.



MIDI Implementation Chart

KORG SP-250 Digital Piano
June 01, 2005

Function		Transmitted	Recognized	Remarks
Basic Channel	Default	1	--	
	Changed	1-16	1-16	
Mode	Default		3	
	Messages	X	X	
	Altered	*****		
Note Number:		15-113	0-127	
	True Voice	*****	21-108	
Velocity	Note On	O 9n, V=1-127	O 9n, V=1-127	
	Note Off	X	X	
Aftertouch	Poly (Key)	X	X	
	Mono (Channel)	X	X	
Pitch Bend		X	O	
Control Change	7	O	O	Volume *1
	11	X	O	Expression *1
	64	O	O	Damper Pedal *1, *3
	66	X	O	Sostenuto *1
	67	X	O	Soft Pedal *1, *3
	91	O	O	Reverb Depth *1
	93	O	O	Chorus Depth *1
120, 121	X	O	All Sound Off, Reset All Ctrl's	
Program Change		0-29	0-29	*2
	True #	*****	0-29	
System Exclusive		O	O	Sound Data Dump
System Common	:Song Position	X	X	
	:Song Select	X	X	
	:Tune	X	X	
System Real Time	:Clock	X	X	
	:Commands	X	X	
Aux Messages	:Local On/Off	X	O	
	:All Notes Off	O	X	*4
	:Active Sensing	O	O	
	:Reset	X	X	
Notes	*1: Transmitted/received when Control Changes are enabled *2: Transmitted/received when Program Changes are enabled *3: Half-pedal input/output value (0, 38, 74, 127) *4: All Notes Off is transmitted when exiting the Layer mode and when selecting the Local Off status.			

Mode 1: OMNI ON, POLY
Mode 3: OMNI OFF, POLY

Mode 2: OMNI ON, MONO
Mode 4: OMNI OFF, MONO

O: Yes
X: No

Care Card Garantie

KORG-CARE-CARD

Wir beglückwünschen Sie zu Ihrem neuen KORG Produkt!

Damit Sie die Vorteile dieser wertvollen Investition optimal nutzen können, bietet die KORG-Care-Card zahlreiche Service- und Support-Optionen, die Sie genauso einfach nutzen können, wie Ihr KORG Produkt. Zu diesen Optionen gehört ein Online-Hilfesystem über verschiedenen Web-Sites, Dokumentationen, erfahrener technischer Service und professionelle Unterstützung durch gebührenpflichtigen telefonischen Support.

Online Support

Die KORG Web-Sites (www.KORG.de) stehen Ihnen 24 Stunden am Tag und an 7 Tagen die Woche zur Verfügung. Hier können Sie sich umfassend über Produkte, technische Aspekte und Software Aktualisierungen informieren. Allen KORG-Usern stehen dort Foren zur Verfügung, die in einfachster Form genutzt werden können und in denen Profis und Amateure in gleicher Weise Informationen, Tips und Hilfe bekommen. Zudem erreichen sie über die E-mail Adresse korg.hotline@musik-meyer.de Produkt-Spezialisten zu alle Fragen rund um das Thema KORG.

Support durch den KORG-Fachhändler

Ihr KORG-Fachhändler, bei dem Sie das KORG Produkt erworben haben, ist ein kompetenter Ansprechpartner, der Ihnen über eventuelle Hürden hinweg hilft.

Hotline Support

KORG Usern steht ein Hotline-Support Service zur Verfügung, der von Deutschland aus unter folgender Nummer Werktags zwischen 8 Uhr und 17 Uhr von Deutschland aus unter folgender Telefon-Nummer erreichbar ist **0190/778-100** (2,40 pro Minute). Geschulte KORG Produkt-Spezialisten stehen Ihnen hier mit Rat und Tat beiseite.

Dem Produkt beiliegender Support

Zum Lieferumfang Ihres neuen KORG Produkts gehört eine Produktbeschreibung, die sie zuverlässig dabei unterstützt Ihr neues Produkt richtig zu handhaben.

Reparatur Service

Nur von zertifizierten KORG Technikern kann eine Qualitäts-Reparatur mit original KORG-Ersatzteilen durchgeführt werden. Nur so ist die Zuverlässigkeit und Langlebigkeit ihres KORG-Produktes sichergestellt.

Nutzen Sie die Vorteile der KORC-CARE-CARD!

Um Ihnen diese Service Leistungen anbieten zu können ist es wichtig, dass wir detaillierte Informationen über Ihr persönliches KORC Produkt erhalten, um so zukünftig professionell Support zu leisten. Über die von Ihnen ausgefüllte KORC-Care-Card erhalten wir alle Informationen (z.B. Modellbezeichnung und Seriennummer) die wir für alle angebotenen Service-Leistungen benötigen.

Tragen Sie zur Werterhaltungen Ihres KORC-Produktes bei, indem Sie die KORC-Care-Card ausfüllen (auch online unter www.korc.de verfügbar) .

Weitere Vorteile für Sie:

- Sie erhalten automatisch News, Infos und Updates zu Ihrem KORC-Produkt

Produkt _____ Kaufdatum _____

Serien-Nr. _____ Bezugsadresse _____

Welche Produktmerkmale waren für Ihre Kaufentscheidung ausschlaggebend:

- Klangqualität
- Design
- Preisangebot
- Handhabung
- andere Gründe _____

Welche Fachzeitschriften werden von Ihnen gelesen:

- Keys Tools
- Keyboards Raveline
- Tastenwelt Groove
- Gitarre & Bass AMAZONA.de
- Soundcheck andere _____

Wer ist Ihr bevorzugter KORC-Fachhändler:

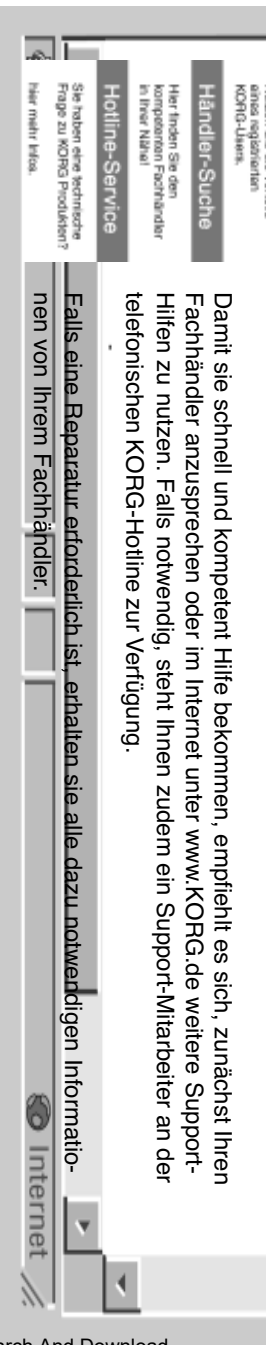
Begründung (Mehrfachnennung möglich):

- Auswahl räumliche Nähe
- Techn. Service Beratungs-Service
- Preis andere _____

Welche anderen verwandten Produkte ziehen Sie in Erwägung für künftige Anschaffung:

**Ausfüllen,
ausschneiden,
einsenden!**





Damit sie schnell und kompetent Hilfe bekommen, empfiehlt es sich, zunächst Ihren Fachhändler anzusprechen oder im Internet unter www.KORG.de weitere Support-Hilfen zu nutzen. Falls notwendig, steht Ihnen zudem ein Support-Mitarbeiter an der telefonischen KORG-Hotline zur Verfügung.

Falls eine Reparatur erforderlich ist, erhalten sie alle dazu notwendigen Informationen von Ihrem Fachhändler.

Ausfüllen,

Name _____
Vorname _____
Strasse _____
Plz / Ort _____
Land _____
eMail _____

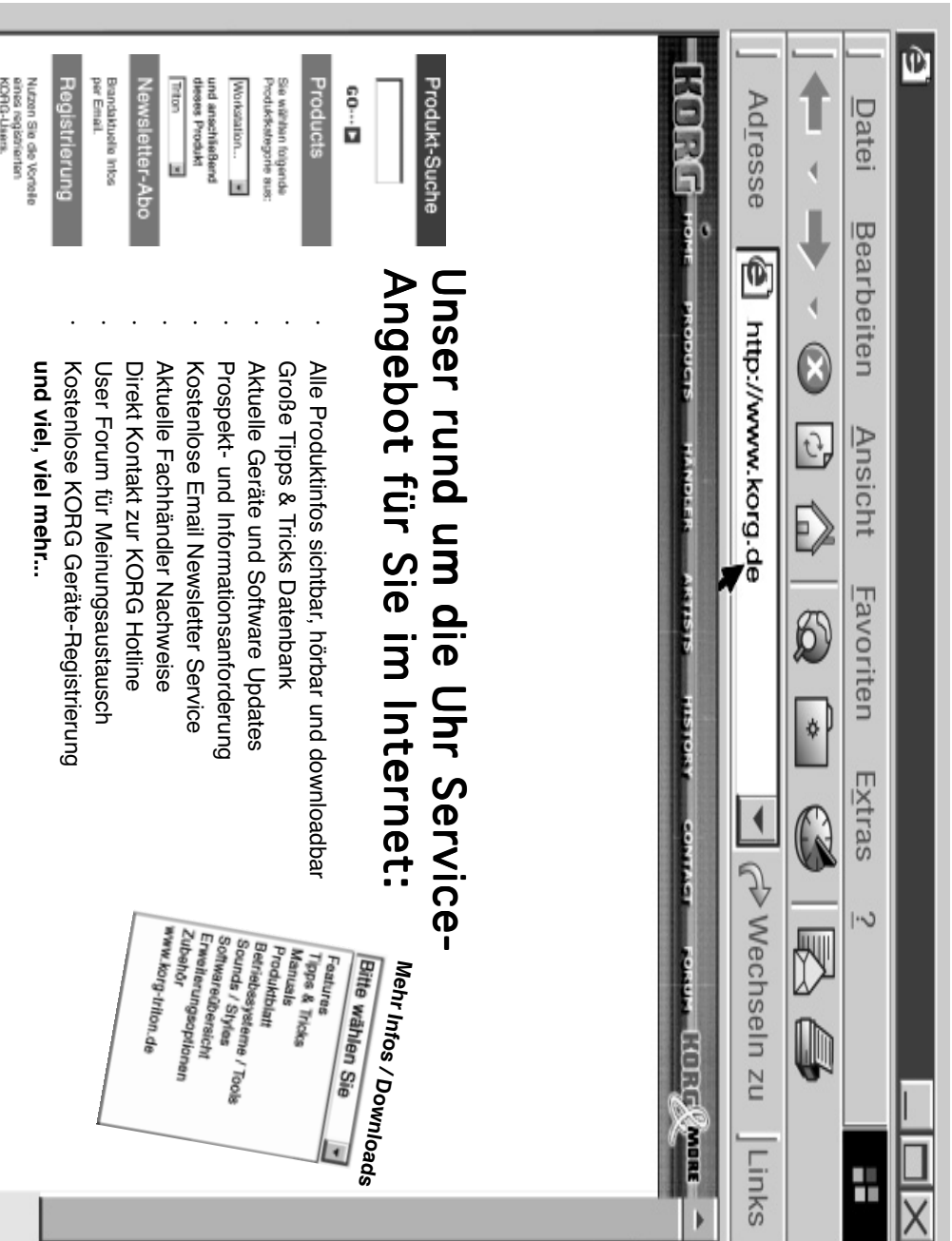
bitte
freimachen

ausschneiden,

einsenden!



**KORG & MORE a Division of
Musik Meyer GmbH**
Postfach 21 47
35009 Marburg



Unser rund um die Uhr Service-Angebot für Sie im Internet:

- Alle Produktinfos sichtbar, hörbar und downloadbar
- Große Tipps & Tricks Datenbank
- Aktuelle Geräte und Software Updates
- Prospekt- und Informationsanforderung
- Kostenlose Email Newsletter Service
- Aktuelle Fachhändler Nachweise
- Direkt Kontakt zur KOR&G Hotline
- User Forum für Meinungsaustausch
- Kostenlose KOR&G Geräte-Registrierung **und viel, viel mehr...**

Mehr Infos / Downloads

Bitte wählen Sie

Features
Tipps & Tricks
Manuals
Produktbitt
Betriebssysteme / Tools
Sounds / Styles
Softwarebereich
Erweiterungsoptionen
Zulieferer
www.korg-triton.de

UNIQUEMENT POUR LA FRANCE
ONLY FOR FRANCE



EXEMPLAIRE DE GARANTIE A RETOURNER A
GAFFAREL MUSIQUE B.P. 435 95005 CERGY PONTOISE

NOM : _____ PRENOM : _____

ADRESSE : _____

Code Postal : _____ VILLE : _____

DATE D'ACHAT : _____

REFERENCE : _____

N° DE SERIE : _____

CACHET DU MAGASIN

KORG

Address

KORG Italy SpA
Via Cagiata, 85
I-60027 Osimo (An)
Italy

Web Servers

www.korgpa.com
www.korg.co.jp
www.korg.com
www.korg.co.uk
www.korgcanada.com
www.korgfr.net
www.korg.de
www.korg.it
www.letusa.es

© KORG Italy 2005. All rights reserved



Free Manuals Download Website

<http://myh66.com>

<http://usermanuals.us>

<http://www.somanuals.com>

<http://www.4manuals.cc>

<http://www.manual-lib.com>

<http://www.404manual.com>

<http://www.luxmanual.com>

<http://aubethermostatmanual.com>

Golf course search by state

<http://golfingnear.com>

Email search by domain

<http://emailbydomain.com>

Auto manuals search

<http://auto.somanuals.com>

TV manuals search

<http://tv.somanuals.com>