



KRAMER ELECTRONICS LTD.

# USER MANUAL

MODELS:

**SPK-C812**

**SPK-C813**

**SPK-C814**

**SPK-C815**

**SPK-C816**

**SPK-C817**

**SPK-C818**

**SPK-C819**

**SPK-C820**

ESD™ Complete K-coverage  
Ceiling Speaker

---

P/N: 2900-3001 1 9 Rev 1

# Contents

<b>1</b>	<b>Introduction</b>	<b>1</b>
<b>2</b>	<b>Getting Started</b>	<b>2</b>
2.1	Achieving the Best Performance	2
<b>3</b>	<b>Overview</b>	<b>3</b>
3.1	Defining the ESD Ceiling Speaker	5
<b>4</b>	<b>Installing the ESD Ceiling Speaker</b>	<b>6</b>
4.1	Choosing the Best Location	6
4.2	The Input Pinout	6
4.3	Determining the Number of Speakers Needed and their Location	7
4.4	Preparing the ESD Ceiling Speaker for Operation	9
4.5	Installing the Tile Size Speaker	9
4.6	Installing the Half-Tile Size Speaker	11
<b>5</b>	<b>Technical Specifications</b>	<b>14</b>

## Figures

Figure 1:	Tile Size ESD Ceiling Speaker (that fits into the ceiling)	4
Figure 2:	ESD Ceiling Speaker	5
Figure 3:	ESD Ceiling Speaker Input Pinout	6
Figure 4:	Speaker Location in a Room—using ESD Speakers vs. using Standard Ceiling Speakers	7
Figure 5:	Connecting One Stereo Speaker	8
Figure 6:	Connecting Two Mono Speakers	8
Figure 7:	Fitting the Tile Size Speaker	10
Figure 8:	Securing the Speaker to a Ceiling Anchor Point	10
Figure 9:	Placing the Ceiling Mounting Bracket	11
Figure 10:	Fitting the Half-Tile Size Speaker	12
Figure 11:	Replacing the Ceiling Tile	12
Figure 12:	ESD Ceiling Speaker in a Boardroom Setup	13

---

# 1 Introduction

Welcome to Kramer Electronics! Since 1981, Kramer Electronics has been providing a world of unique, creative, and affordable solutions to the vast range of problems that confront the video, audio, presentation, and broadcasting professional on a daily basis. In recent years, we have redesigned and upgraded most of our line, making the best even better!

Our 1,000-plus different models now appear in 11 groups that are clearly defined by function: GROUP 1: Distribution Amplifiers; GROUP 2: Switchers and Matrix Switchers; GROUP 3: Control Systems; GROUP 4: Format/Standards Converters; GROUP 5: Range Extenders and Repeaters; GROUP 6: Specialty AV Products; GROUP 7: Scan Converters and Scalers; GROUP 8: Cables and Connectors; GROUP 9: Room Connectivity; GROUP 10: Accessories and Rack Adapters and GROUP 11: Sierra Products.

Congratulations on purchasing your Kramer ESD™ (*Equal Sound Dispersion Ceiling Speaker*), which is ideal for overhead distributed audio for professional applications (music and speech) and educational applications (mainly speech), as shown here:

<b>Complete K-coverage ESD® Ceiling Speakers: Applications</b>	
<b>SPK-C812, SPK-C813, SPK-C814, SPK-C815, SPK-C820</b>	<b>SPK-C816, SPK-C817, SPK-C818, SPK-C819</b>
<b>Business and professional environments (such as presentations)</b>	<b>Educational environments (such as lectures)</b>
<ul style="list-style-type: none"><li>• Conference rooms and boardrooms</li><li>• Hotel lobbies and large office buildings</li><li>• Retail stores</li><li>• Airports</li></ul>	<ul style="list-style-type: none"><li>• University lecture halls</li><li>• Classrooms</li><li>• Presentation venues</li></ul>

---

## 2 Getting Started

We recommend that you:

- Unpack the equipment carefully and save the original box and packaging materials for possible future shipment
- Review the contents of this user manual  
Use Kramer high performance high resolution cables



Go to <http://www.kramerelectronics.com> to check for up-to-date user manuals, application programs, and to check if firmware upgrades are available (where appropriate).

### 2.1 Achieving the Best Performance

To achieve the best performance:

- Use only good quality connection cables to avoid interference, deterioration in signal quality due to poor matching, and elevated noise levels (often associated with low quality cables)
- Avoid interference from neighboring electrical appliances that may adversely influence signal quality
- Position your Kramer Speakers away from moisture, excessive sunlight and dust

---

## 3 Overview

The ESD™ (*Equal Sound Dispersion*) Ceiling Speaker is a high-performance complete K-coverage ESD ceiling speaker that can be mounted on the ceiling and appears as a suspended ceiling tile.

The ESD ceiling speaker is constructed with a central driver and four pivoting tweeters and is housed in an enclosed shallow enclosure.

The Kramer complete K-coverage ESD provides unmatched sound response in a suspended ceiling device for the professional (PRO) and educational (EDU) markets. This means that you get the sound you need but with a reduced number of speakers.

The ESD ceiling speaker features:

- Complete K-coverage ESD™ – a patent pending design with 4 pivoting tweeters that direct the sound, based on the room environment, for equal sound dispersion (ESD)
- Wide 180° sound dispersion
- One Kramer ESD speaker that replaces multiple standard speakers for quick and easy installation
- Excellent bass response that is optimized for music and high-quality voice reproduction
- 4 pivoting tweeters, 3/4" (6Ω) with silk domes
- A polypropylene cone woofer (8Ω)
- A 40W RMS power rating
- Smooth frequency response
- A shallow 4-inch depth (approx. 100mm)
- RoHS compliance  
Compliance to RoHS means acting in full accordance with RoHS regulations that restrict the use of certain dangerous substances commonly used in electronic and electronic equipment
- A choice of models: tile size or half-tile size, stereo or mono (see table below)

- A bass port for a bass reflex effect (for educational models)

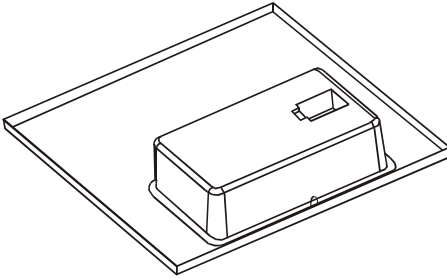


Figure 1: Tile Size ESD Ceiling Speaker (that fits into the ceiling)

The speaker is easily installed and is available in eight different models: PRO or EDU, stereo or mono, tile size or half-tile size configurations, and a slightly smaller size (for any region with suspended ceiling tiles of 595mm) as defined here:

Complete K-coverage ESD® Ceiling Speakers Available Models		
Model Name	Part Number	Description
Professional tile size stereo	SPK-C812	<ul style="list-style-type: none"> <li>• Polypropylene woofer, surrounded with rubber</li> <li>• 2 left and 2 right silk dome tweeters</li> <li>• No bass reflex</li> </ul>
Professional tile size mono	SPK-C813	<ul style="list-style-type: none"> <li>• Polypropylene woofer, surrounded with rubber</li> <li>• 4 silk dome tweeters</li> <li>• No bass reflex</li> </ul>
Professional half-tile size stereo	SPK-C814	<ul style="list-style-type: none"> <li>• Polypropylene woofer, surrounded with rubber</li> <li>• 2 left and 2 right silk dome tweeters</li> <li>• No bass reflex</li> </ul>
Professional half-tile size mono	SPK-C815	<ul style="list-style-type: none"> <li>• Polypropylene woofer, surrounded with rubber</li> <li>• 4 silk dome tweeters</li> <li>• No bass reflex</li> </ul>
Educational tile size stereo	SPK-C816	<ul style="list-style-type: none"> <li>• Paper cone woofer, surrounded with rubber</li> <li>• 2 left and 2 right Ti pivoting tweeters, installer adjusted</li> <li>• Bass reflex</li> </ul>
Educational tile size mono	SPK-C817	<ul style="list-style-type: none"> <li>• Paper cone woofer, surrounded with rubber</li> <li>• 4 Ti pivoting tweeters, installer adjusted</li> <li>• Bass reflex</li> </ul>
Educational half-tile size stereo	SPK-C818	<ul style="list-style-type: none"> <li>• Paper cone woofer, surrounded with rubber</li> <li>• 2 left and 2 right Ti pivoting tweeters, installer adjusted</li> <li>• Bass reflex</li> </ul>
Educational half-tile size mono	SPK-C819	<ul style="list-style-type: none"> <li>• Paper cone woofer, surrounded with rubber</li> <li>• 4 Ti pivoting tweeters, installer adjusted</li> <li>• Bass reflex</li> </ul>
Professional Tile size stereo (for 595mm tiles)	SPK-C820	<ul style="list-style-type: none"> <li>• Polypropylene woofer, surrounded with rubber</li> <li>• 2 left and 2 right silk dome tweeters</li> <li>• No bass reflex</li> </ul>

### 3.1 Defining the ESD Ceiling Speaker

Figure 2 defines the ESD Ceiling Speaker:

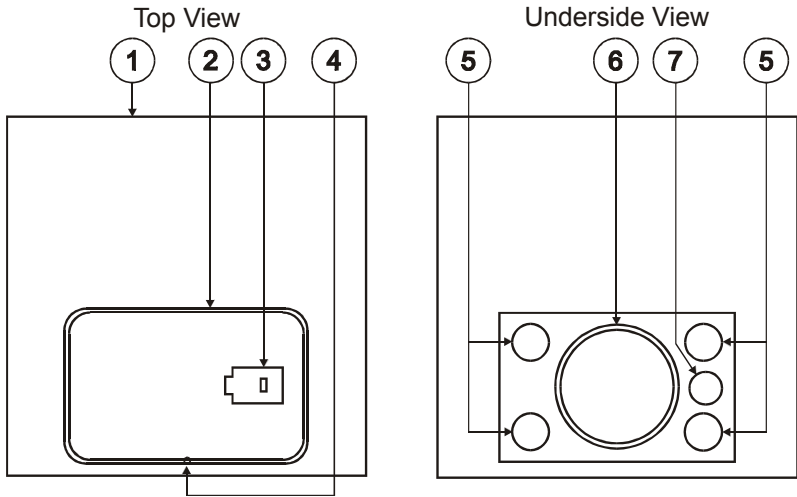


Figure 2: ESD Ceiling Speaker

Flat Ceiling Speaker Features		
#	Feature	Function
1	Speaker Tile Base	Half-tile size or tile size
2	Speaker Steel Enclosure	Shallow fireproof enclosure
3	INPUT Terminal Block Connector	Connect to the audio source (see <a href="#">Section 4.2</a> )
4	Anchor Ring	Secure the speaker to the ceiling anchoring point
5	Tweeters (4)	Pivoting titanium or silk
6	Woofer	Polypropylene or paper surrounded by rubber
7	Bass Port	For a bass reflex effect

## 4 Installing the ESD Ceiling Speaker

This section explains how to install the ESD Ceiling Speaker, that is:

- Choosing the best place to locate your speaker (see [Section 4.1](#))
- Connecting the wires (see [Section 4.2](#))
- Determining the number of speakers (see [Section 4.3](#))
- Preparing the speaker for operation (see [Section 4.4](#))
- Installing the tile size speaker (see [Section 4.5](#))
- Installing the half-tile size speaker (see [Section 4.6](#))

### 4.1 Choosing the Best Location

Ideally, locate the speakers above the main listening area. Before doing so, be sure that:

- The desired location is free of obstructions, such as electrical piping, AC ducts or water lines, and so on
- There is enough space behind the mounting surface for the speaker
- The rear side of the speaker is not blocked by wall studs or other objects

### 4.2 The Input Pinout

[Figure 3](#) illustrates the terminal block pinout for mono and stereo models respectively:

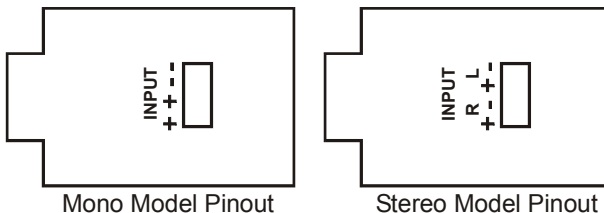


Figure 3: ESD Ceiling Speaker Input Pinout



The red wire connects to the + pin and the black wire connects to the - pin.



### 4.3 Determining the Number of Speakers Needed and their Location

When installed in a room with a standard ceiling height of 2.7m (8.8 feet), the optimal distance between the speakers is about 10 meters. The speaker should be installed lengthwise relative to the shape of the room. The example in [Figure 4](#) shows the ESD Ceiling Speaker installed in a 10m x 5m room. A 10m x 5m room size requires only one ESD speaker for full room coverage rather than four standard ceiling speakers.

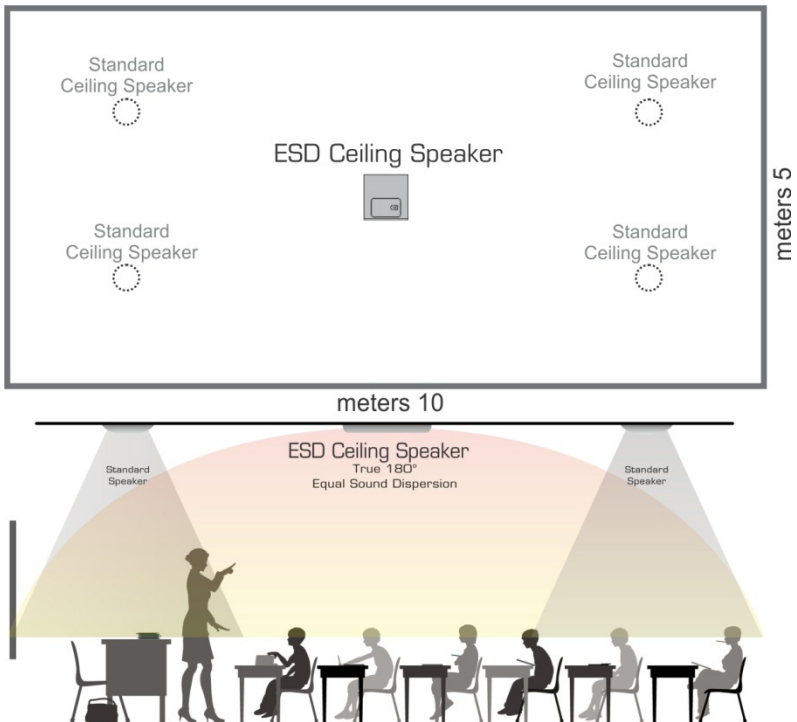


Figure 4: Speaker Location in a Room—using ESD Speakers vs. using Standard Ceiling Speakers

To achieve optimum sound quality and ESD (Equal Sound Dispersion):

- Select the appropriate output from the amplifier to use with the speaker (either stereo or mono)
- If the size of the room only requires a single speaker, we recommend using the mono/stereo speaker model for speech and music (see [Figure 5](#))

- If the size of the room requires more than one speaker, use two mono speaker models. Connect the speakers to the left and right connectors of the amplifier, respectively (see [Figure 6](#))

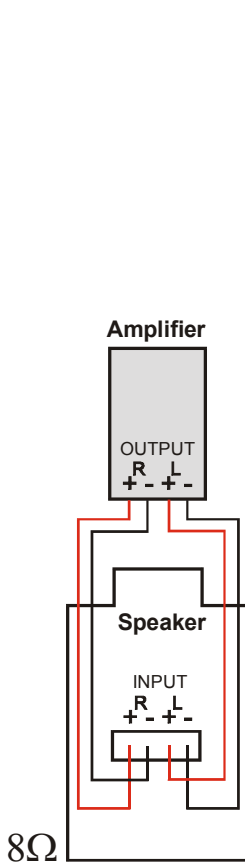


Figure 5: Connecting One Stereo Speaker

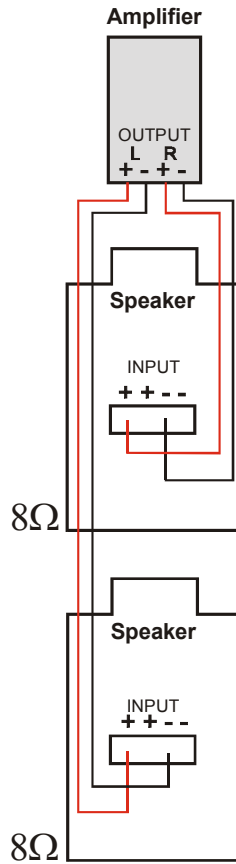


Figure 6: Connecting Two Mono Speakers

## 4.4 Preparing the ESD Ceiling Speaker for Operation

Once the location of the speaker is fixed, prepare the speaker for operation as follows:

1. Move each of the pivoting tweeters outward in an angle that is suited to the room shape and size.
2. Run the wires from the amplifier through the ceiling.
3. Remove the ceiling tile at the place where you plan to install the speaker.
4. Connect the speaker wires to the speaker terminals (see [Figure 3](#)) from the adjacent ceiling tile opening.
5. Place the speaker temporarily in place, and test the audio quality.
6. If you are satisfied, disconnect the amplifier and remove the speaker from the ceiling. If not, change the position of the tweeters and check the audio quality again until you are happy with the results.
7. Fit the speaker grille over the speaker underside and tighten with screws.

To install the tile size speaker, see [Section 4.5](#).

To install the half-tile size speaker, see [Section 4.6](#).

## 4.5 Installing the Tile Size Speaker

1. Drop the speaker into the ceiling tile space.  
Make sure that you position the speaker lengthwise relative to the room shape (see [Figure 7](#)).

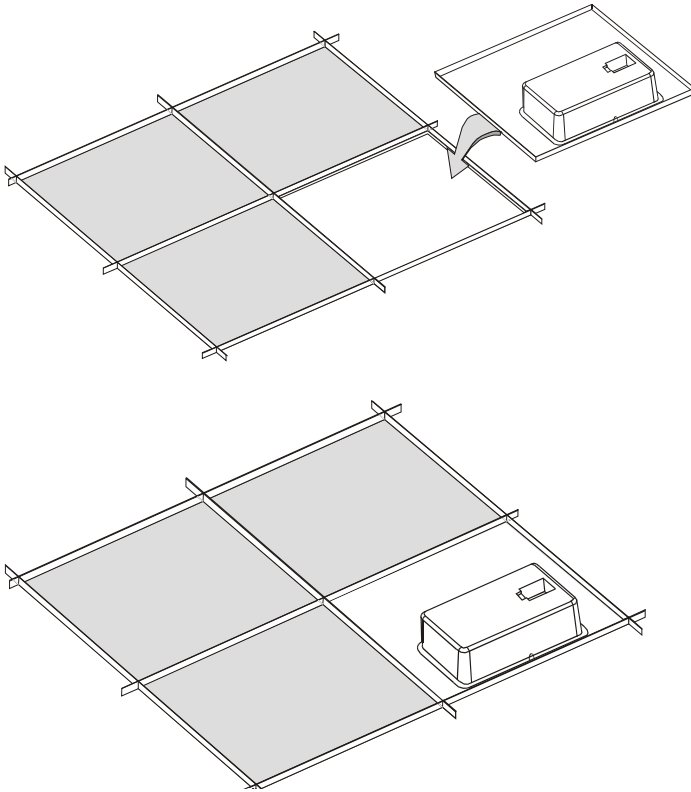


Figure 7: Fitting the Tile Size Speaker

2. Secure the speaker by connecting the speaker support ring to an independent secure ceiling anchor point (see [Figure 8](#)) as appropriate. The anchor prevents the speaker from falling if the tile itself comes out or falls apart.

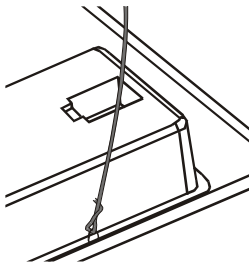


Figure 8: Securing the Speaker to a Ceiling Anchor Point

3. If required, daisy-chain the next speaker (see [Section 4.3](#)).

Note: Do not over-tighten the screws. It may cause damage to both the speakers and the surface.

## 4.6 Installing the Half-Tile Size Speaker

When installing the half-tile size model:

1. Remove the ceiling tile.
2. Cut the ceiling tile in half (to 30x60cm).
3. Place the ceiling mounting bracket (supplied with the half-tile unit only) between the ceiling rails, as illustrated in [Figure 9](#).

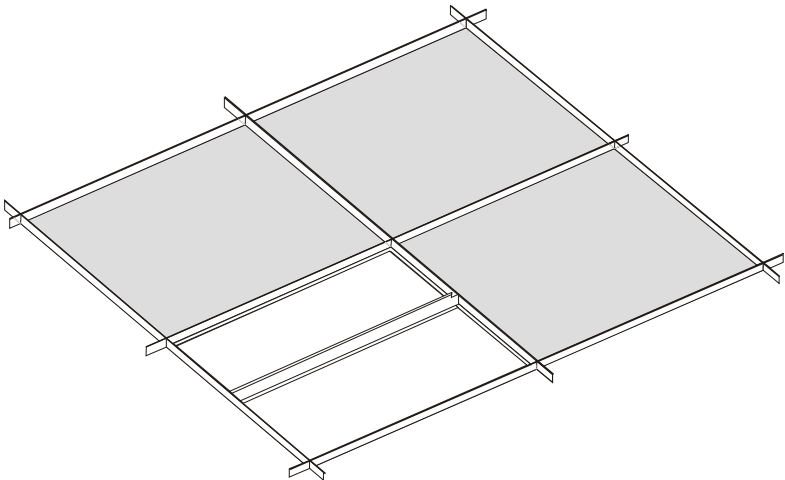


Figure 9: Placing the Ceiling Mounting Bracket

4. Drop the half-tile size speaker in the appropriate opening, so it is supported by the ceiling rails and the ceiling mounting bracket (see [Figure 10](#)). No screws are needed.

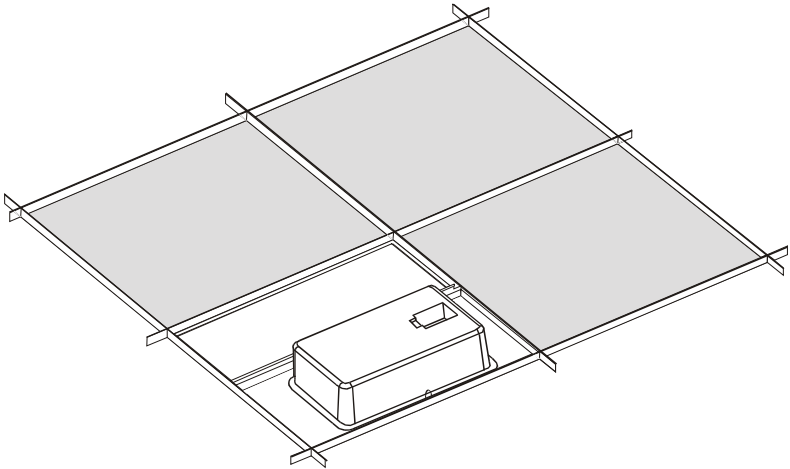


Figure 10: Fitting the Half-Tile Size Speaker

5. Replace half of the ceiling tile (see [Figure 11](#)).

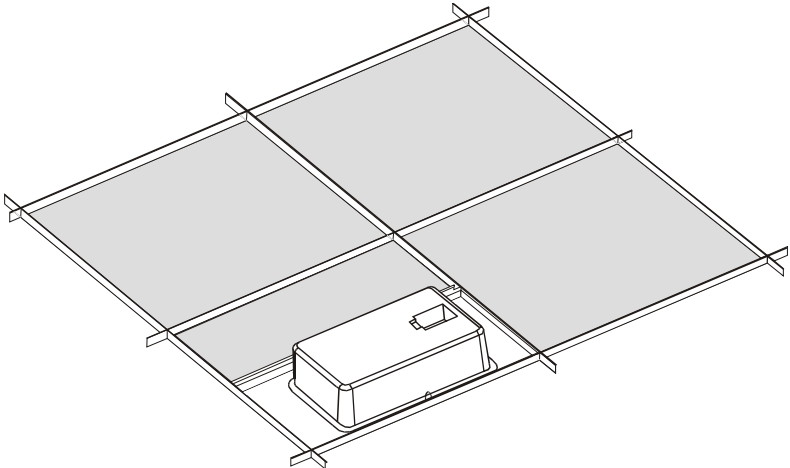


Figure 11: Replacing the Ceiling Tile

6. Secure the speaker by connecting the speaker support ring to an independent secure ceiling anchor point (see [Figure 8](#)).  
The anchor prevents the speaker from falling if the tile itself comes out or falls apart.

[Figure 12](#) shows an example of how the **ESD Ceiling Speaker** can be installed in a boardroom setup:

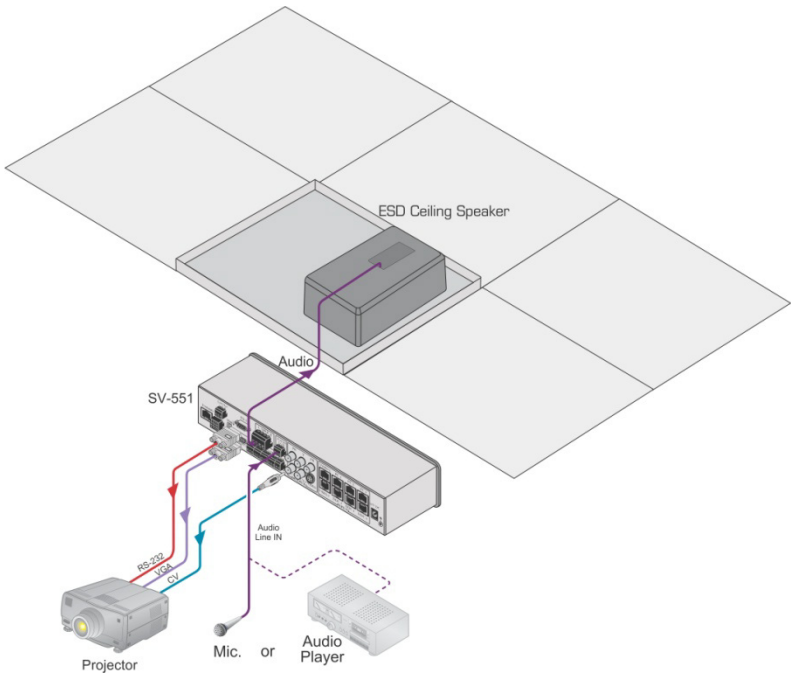


Figure 12: ESD Ceiling Speaker in a Boardroom Setup

## 5 Technical Specifications

Technical Specifications of the PRO ESD Ceiling Speakers	
INPUT POWER:	40W RMS; max. 80 W; continuous load: 40W (24Hr)
NOMINAL SENSITIVITY:	87dB SPL @1m
CROSSOVER FREQUENCY:	2kHz
MEAN SPL:	87dB +/- 1dB @1W-1m
FREQUENCY RANGE:	Nominal: 80Hz-20kHz; max: 60Hz-20kHz
SPEAKER TYPE:	Two-way closed ceiling speaker
WOOFER:	8" (203mm) polypropylene cone with rubber surround
TWEETER:	4 X 3/4" (19mm) silk dome pivoting tweeter
IMPEDANCE:	Woofers: 8Ω; tweeter: 6Ω
SENSITIVITY:	87dB SPL @1W, 1m
DIMENSIONS:	30cm x 60cm x 10cm (half-tile size); 60cm x 60cm x 10cm (tile size); 59.5cm x 59.5cm x 10cm (tile size) for any region with suspended ceiling tiles of 595mm
WEIGHT:	6.3kg (13.9lbs) approx. (half-tile size); 6.5kg (14.3lbs) approx. (tile size)
SHIPPING WEIGHT:	7.8kg (17.2lbs) approx. (half tile); 8.0kg (17.6lbs) approx. (tile size)
ACCESSORIES:	Ceiling mounting bracket (supplied with half-tile size units only)
Specifications are subject to change without notice at <a href="http://www.kramerelectronics.com">http://www.kramerelectronics.com</a>	

Technical Specifications of the EDU ESD Ceiling Speakers	
INPUT POWER:	40W RMS; max. 80 W Continuous load: 40W (24Hr)
NOMINAL SENSITIVITY:	90dB SPL @1m
CROSSOVER FREQUENCY:	2kHz
MEAN SPL:	90dB +/- 1dB @1W-1m
FREQUENCY RANGE:	Nominal: 150Hz-20kHz; max: 100Hz-20kHz
SPEAKER TYPE:	Two-way bass reflex closed ceiling speaker
WOOFER:	8" (203mm) paper cone with rubber surround
TWEETER:	4 X 1" (25mm) titanium dome pivoting tweeter
IMPEDANCE:	Woofers: 8Ω; tweeter: 6Ω
SENSITIVITY:	90dB SPL @1W, 1m
DIMENSIONS:	30cm x 60cm x 10cm (half-tile size); 60cm x 60cm x 10cm (tile size)
WEIGHT:	6.3kg (13.9lbs) approx. (half-tile size); 6.5kg (14.3lbs) approx. (tile size)
SHIPPING WEIGHT:	7.8kg (17.2lbs) approx. (half-tile size); 8.0kg (17.6lbs) approx. (tile size)
ACCESSORIES:	Ceiling mounting bracket (supplied with half-tile size units only)
Specifications are subject to change without notice at <a href="http://www.kramerelectronics.com">http://www.kramerelectronics.com</a>	



## LIMITED WARRANTY

We warrant this product free from defects in material and workmanship under the following terms.

### HOW LONG IS THE WARRANTY

Labor and parts are warranted for one year from the date of the first customer purchase.

### WHO IS PROTECTED?

Only the first purchase customer may enforce this warranty.

### WHAT IS COVERED AND WHAT IS NOT COVERED

Except as below, this warranty covers all defects in material or workmanship in this product. The following are not covered by the warranty:

1. Any product which is not distributed by us or which is not purchased from an authorized Kramer dealer. If you are uncertain as to whether a dealer is authorized, please contact Kramer at one of the agents listed in the Web site [www.kramerelectronics.com](http://www.kramerelectronics.com).
2. Any product, on which the serial number has been defaced, modified or removed, or on which the WARRANTY VOID IF TAMPERED sticker has been torn, reattached, removed or otherwise interfered with.
3. Damage, deterioration or malfunction resulting from:
  - i) Accident, misuse, abuse, neglect, fire, water, lightning or other acts of nature
  - ii) Product modification, or failure to follow instructions supplied with the product
  - iii) Repair or attempted repair by anyone not authorized by Kramer
  - iv) Any shipment of the product (claims must be presented to the carrier)
  - v) Removal or installation of the product
  - vi) Any other cause, which does not relate to a product defect
  - vii) Cartons, equipment enclosures, cables or accessories used in conjunction with the product

### WHAT WE WILL PAY FOR AND WHAT WE WILL NOT PAY FOR

We will pay labor and material expenses for covered items. We will not pay for the following:

1. Removal or installations charges.
2. Costs of initial technical adjustments (set-up), including adjustment of user controls or programming. These costs are the responsibility of the Kramer dealer from whom the product was purchased.
3. Shipping charges.

### HOW YOU CAN GET WARRANTY SERVICE

1. To obtain service on you product, you must take or ship it prepaid to any authorized Kramer service center.
2. Whenever warranty service is required, the original dated invoice (or a copy) must be presented as proof of warranty coverage, and should be included in any shipment of the product. Please also include in any mailing a contact name, company, address, and a description of the problem(s).
3. For the name of the nearest Kramer authorized service center, consult your authorized dealer.

### LIMITATION OF IMPLIED WARRANTIES

All implied warranties, including warranties of merchantability and fitness for a particular purpose, are limited in duration to the length of this warranty.

### EXCLUSION OF DAMAGES

The liability of Kramer for any effective products is limited to the repair or replacement of the product at our option. Kramer shall not be liable for:

1. Damage to other property caused by defects in this product, damages based upon inconvenience, loss of use of the product, loss of time, commercial loss; or:
2. Any other damages, whether incidental, consequential or otherwise. Some countries may not allow limitations on how long an implied warranty lasts and/or do not allow the exclusion or limitation of incidental or consequential damages, so the above limitations and exclusions may not apply to you.

This warranty gives you specific legal rights, and you may also have other rights, which vary from place to place.

**NOTE:** All products returned to Kramer for service must have prior approval. This may be obtained from your dealer.

This equipment has been tested to determine compliance with the requirements of:

- EN-50081: "Electromagnetic compatibility (EMC); generic emission standard.  
Part 1: Residential, commercial and light industry"
- EN-50082: "Electromagnetic compatibility (EMC) generic immunity standard.  
Part 1: Residential, commercial and light industry environment".
- CFR-47: FCC\* Rules and Regulations:  
Part 15: "Radio frequency devices  
Subpart B Unintentional radiators"

### CAUTION!

- Servicing the machines can only be done by an authorized Kramer technician. Any user who makes changes or modifications to the unit without the expressed approval of the manufacturer will void user authority to operate the equipment.
- Use the supplied DC power supply to feed power to the machine.
- Please use recommended interconnection cables to connect the machine to other components.  
\* FCC and CE approved using STP cable (for twisted pair products)



For the latest information on our products and a list of Kramer distributors, visit our Web site where updates to this user manual may be found.

**We welcome your questions, comments, and feedback.**

Web site: [www.kramerelectronics.com](http://www.kramerelectronics.com)

E-mail: [info@kramerel.com](mailto:info@kramerel.com)



**SAFETY WARNING**

Disconnect the unit from the power supply before opening and servicing

## Free Manuals Download Website

<http://myh66.com>

<http://usermanuals.us>

<http://www.somanuals.com>

<http://www.4manuals.cc>

<http://www.manual-lib.com>

<http://www.404manual.com>

<http://www.luxmanual.com>

<http://aubethermostatmanual.com>

Golf course search by state

<http://golfingnear.com>

Email search by domain

<http://emailbydomain.com>

Auto manuals search

<http://auto.somanuals.com>

TV manuals search

<http://tv.somanuals.com>