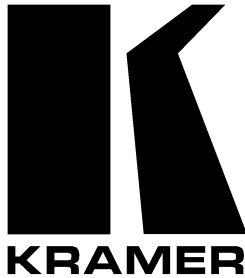


Kramer Electronics, Ltd.



USER MANUAL

Models:

VP-413, *Video to WXGA Scaler*

VP-414, *Video to WXGA / HD Scaler*

VP-415, *Video to WXGA / DVI Scaler*

VP-416, *Video to WXGA / DVI / HD Scaler*

Contents

1	Introduction	1
2	Getting Started	1
3	Overview	2
4	Your Scaler	2
4.1	Your VP-413 Video to WXGA Scaler	3
4.2	Your VP-414 Video to WXGA / HD Scaler	4
4.3	Your VP-415 Video to WXGA / DVI Scaler	5
4.4	Your VP-416 Video to WXGA / DVI / HD Scaler	6
5	Connecting the Scaler	7
5.1	Connecting the VP-413 / VP-414	8
5.2	Connecting the VP-415 / VP-416	9
6	Technical Specifications	10

Figures

Figure 1:	VP-413 Video to WXGA Scaler	3
Figure 2:	VP-414 Video to WXGA / HD Scaler	4
Figure 3:	VP-415 Video to WXGA Scaler	5
Figure 4:	VP-416 Video to WXGA / DVI / HD Scaler	6
Figure 5:	Connecting the VP-414	8
Figure 6:	Connecting the VP-416	9

Tables

Table 1:	VP-413, VP-414, VP-415 and VP-416 Scalers	2
Table 2:	VP-413 Video to WXGA Scaler Features	3
Table 3:	VP-414 Video to WXGA / HD Scaler Features	4
Table 4:	VP-415 Video to WXGA Scaler Features	5
Table 5:	VP-416 Video to WXGA / DVI / HD Scaler Features	6
Table 6:	Technical Specifications of the VP-413, VP-414, VP-415 and VP-416	10

1 Introduction

Welcome to Kramer Electronics (since 1981): a world of unique, creative and affordable solutions to the infinite range of problems that confront the video, audio and presentation professional on a daily basis. In recent years, we have redesigned and upgraded most of our line, making the best even better! Our 350-plus different models now appear in 8 Groups¹, which are clearly defined by function.

Congratulations on purchasing your Kramer Tools **VP-413** *Video to WXGA Scaler* and/or **VP-414** *Video to WXGA / HD Scaler* and/or **VP-415** *Video to WXGA / DVI Scaler* and/or **VP-416** *Video to WXGA / DVI / HD Scaler*, which are ideal for the following typical applications:

- Multimedia and presentation applications for projecting a Composite Video or S-Video source using a data projector, plasma, or TFT flat-screen
- Presentation and conference room systems, board rooms and auditoriums
- Rental and Staging

The package includes the following items:

- **VP-413** *Video to WXGA Scaler*, and/or **VP-414** *Video to WXGA / HD Scaler*, and/or **VP-415** *Video to WXGA / DVI Scaler*, and/or **VP-416** *Video to WXGA / DVI / HD Scaler*
- Power adapter (5V DC Input)
- This user manual²

2 Getting Started

We recommend that you:

- Unpack the equipment carefully and save the original box and packaging materials for possible future shipment
- Review the contents of this user manual
- Use Kramer high performance high resolution cables³

1 GROUP 1: Distribution Amplifiers; GROUP 2: Video and Audio Switchers, Matrix Switchers and Controllers; GROUP 3: Video, Audio, VGA/XGA Processors; GROUP 4: Interfaces and Sync Processors; GROUP 5: Twisted Pair Interfaces; GROUP 6: Accessories and Rack Adapters; GROUP 7: Scan Converters and Scalers; and GROUP 8: Cables and Connectors

2 Download up-to-date Kramer user manuals from our Web site at <http://www.kramerelectronics.com>

3 The complete list of Kramer cables is on our Web site at <http://www.kramerelectronics.com>

3 Overview

The Kramer **VP-413/VP-414/VP-415/VP-416** is a high quality low cost converter for up-scaling composite video and s-Video. This compact, multi-standard unit has a built-in 3D de-interlacer and a 3-D comb-filter, ensuring superb quality despite its small size.

The **VP-413/VP-414/VP-415/VP-416** includes the following features:

- An external 5V DC source, making it suitable for field operation
- Side-panel buttons for selecting the input source and the output resolution – indicated by LEDs
- Non-volatile memory that retains the last setting, after switching the power off

Table 1 describes the unique characteristics of each scaler:

Table 1: VP-413, VP-414, VP-415 and VP-416 Scalers

Model	Inputs	Output	Output Connector	Output Resolution	Output Format
VP-413	CV or Y/C	VGA	HD15 Connector	VGA-WXGA ¹	RGBHV
VP-414		VGA / HD		VGA-WXGA ¹ / HD ²	RGBHV / YPbPr ³
VP-415		VGA/DVI	DVI-I Connector	VGA-WXGA ¹	RGBHV
VP-416		VGA / DVI / HD		VGA-WXGA ¹ / HD ²	RGBHV / YPbPr ³

Achieving the best performance means:

- Connecting only good quality connection cables, thus avoiding interference, deterioration in signal quality due to poor matching, and elevated noise levels (often associated with low quality cables)
- Avoiding interference from neighboring electrical appliances and positioning your **VP-413/VP-414/VP-415/VP-416** away from moisture, excessive sunlight and dust

4 Your Scaler

This section describes each Scaler as follows:

- **VP-413** (see section 4.1)
- **VP-414** (see section 4.2)
- **VP-415** (see section 4.3)
- **VP-416** (see section 4.4)

¹ Includes: VGA, SVGA, XGA and WXGA

² Includes: 480p, 576p, 720p and 1080i

³ Component color space

4.1 Your VP-413 Video to WXGA Scaler

Figure 1 and Table 2 define the **VP-413 Video to WXGA Scaler**:

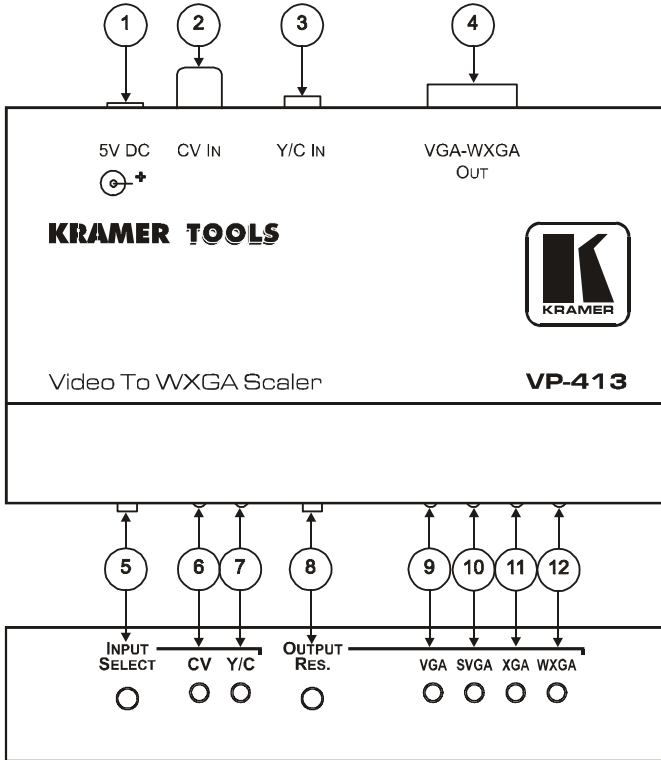


Figure 1: VP-413 Video to WXGA Scaler

Table 2: VP-413 Video to WXGA Scaler Features

#	Feature	Function
1	5V DC	+5V DC connector for powering the unit
2	CV IN RCA Input Connector	Connects to a composite video source
3	Y/C IN 4p Input Connector	Connects to an s-Video source
4	VGA-WXGA OUT HD15F Output Connector	Connects to the VGA-WXGA acceptor
5	INPUT SELECT Button	Press to select between inputs
6	CV LED	Illuminates when CV input is selected
7	Y/C LED	Illuminates when Y/C input is selected
8	OUTPUT RES. Button	Press to select desired output resolution
9	VGA LED	Illuminates when VGA resolution is selected
10	SVGA LED	Illuminates when SVGA resolution is selected
11	XGA LED	Illuminates when XGA resolution is selected
12	WXGA LED	Illuminates when WXGA resolution is selected

4.2 Your VP-414 Video to WXGA / HD Scaler

Figure 2 and Table 3 define the **VP-414 Video to WXGA / HD Scaler**:

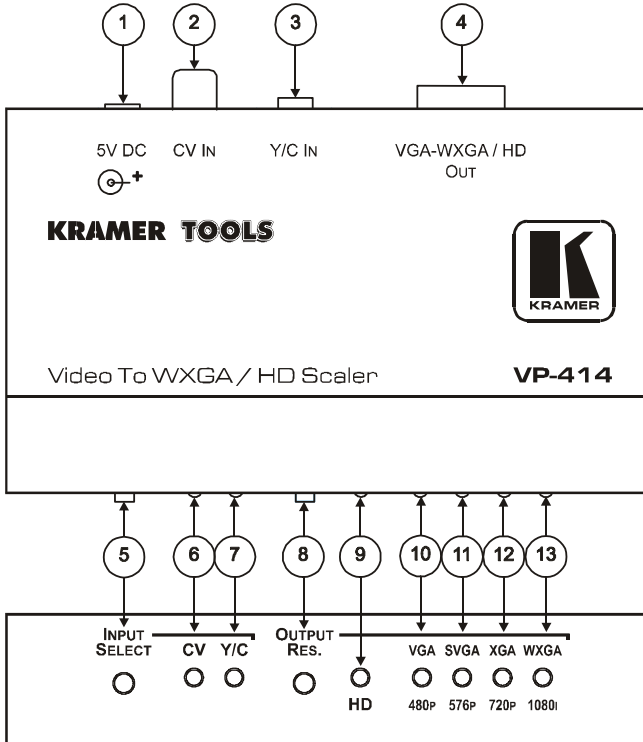


Figure 2: VP-414 Video to WXGA / HD Scaler

Table 3: VP-414 Video to WXGA / HD Scaler Features

#	Feature	Function
1	5V DC	+5V DC connector for powering the unit
2	CV IN RCA Input Connector	Connects to a composite video source
3	Y/C IN 4p Input Connector	Connects to an s-Video source
4	VGA-WXGA / HD OUT HD15F Output Connector	Connects to the VGA-WXGA / HD acceptor
5	INPUT SELECT Button	Press to select between inputs
6	CV LED	Illuminates when CV input is selected
7	Y/C LED	Illuminates when Y/C input is selected
8	OUTPUT RES. Button	Press to select desired output resolution
9	HD LED	Illuminates when HD output resolutions are selected
10	VGA / 480p LED	Illuminates when VGA or 480p resolution is selected
11	SVGA / 576p LED	Illuminates when SVGA or 576p resolution is selected
12	XGA / 720p LED	Illuminates when XGA or 720p resolution is selected
13	WXGA / 1080i LED	Illuminates when WXGA or 1080i resolution is selected

4.3 Your VP-415 Video to WXGA / DVI Scaler

Figure 3 and Table 4 define the **VP-415 Video to WXGA / DVI Scaler**:

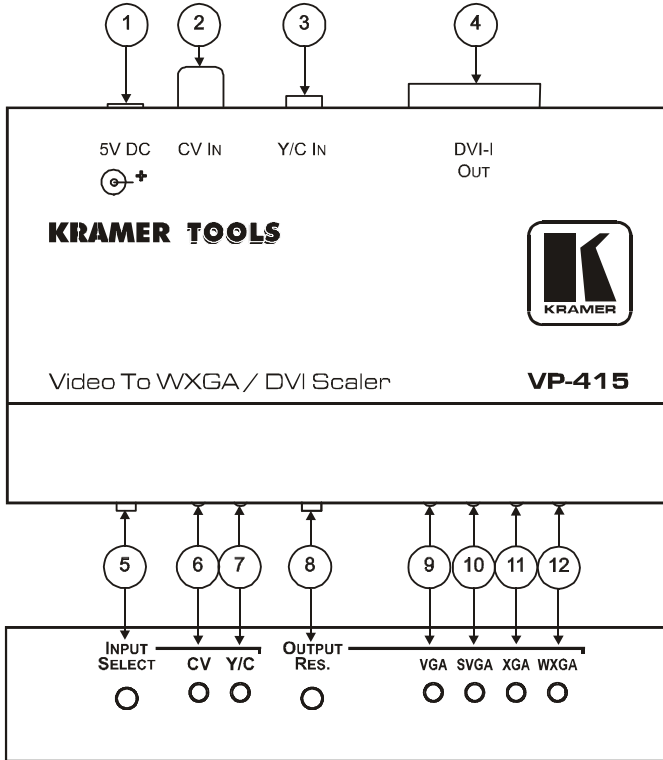


Figure 3: VP-415 Video to WXGA Scaler

Table 4: VP-415 Video to WXGA Scaler Features

#	Feature	Function
1	5V DC	+5V DC connector for powering the unit
2	CV IN RCA Input Connector	Connects to a composite video source
3	Y/C IN 4p Input Connector	Connects to an s-Video source
4	DVI-I OUT DVI Connector	Connects to the DVI graphics acceptor (analog, digital or both)
5	INPUT SELECT Button	Press to select between inputs
6	CV LED	Illuminates when CV input is selected
7	Y/C LED	Illuminates when Y/C input is selected
8	OUTPUT RES. Button	Press to select desired output resolution
9	VGA LED	Illuminates when VGA resolution is selected
10	SVGA LED	Illuminates when SVGA resolution is selected
11	XGA LED	Illuminates when XGA resolution is selected
12	WXGA LED	Illuminates when WXGA resolution is selected

4.4 Your VP-416 Video to WXGA / DVI / HD Scaler

Figure 4 and Table 5 define the **VP-416 Video to WXGA / DVI / HD Scaler**:

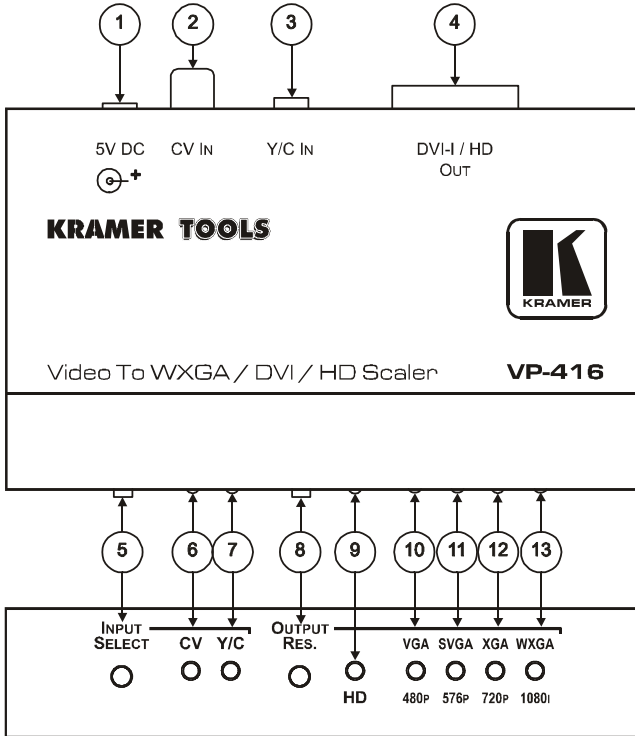


Figure 4: VP-416 Video to WXGA / DVI / HD Scaler

Table 5: VP-416 Video to WXGA / DVI / HD Scaler Features

#	Feature	Function
1	5V DC	+5V DC connector for powering the unit
2	CV IN RCA Input Connector	Connects to a composite video source
3	Y/C IN 4p Input Connector	Connects to an s-Video source
4	DVI-I / HD OUT DVI Output Connector	Connects to the VGA-WXGA / HD acceptor (analog, digital or both)
5	INPUT SELECT Button	Press to select between inputs
6	CV LED	Illuminates when CV input is selected
7	Y/C LED	Illuminates when Y/C input is selected
8	OUTPUT RES. Button	Press to select desired output resolution
9	HD LED	Illuminates when HD output resolutions are selected
10	VGA / 480p LED	Illuminates when VGA or 480p resolution is selected
11	SVGA / 576p LED	Illuminates when SVGA or 576p resolution is selected
12	XGA / 720p LED	Illuminates when XGA or 720p resolution is selected
13	WXGA / 1080i LED	Illuminates when WXGA or 1080i resolution is selected

5 Connecting the Scaler

The following sections describe how to connect the:

- **VP-413** (see section 5.1)
- **VP-414** (see section 5.1)
- **VP-415** (see section 5.2)
- **VP-416** (see section 5.2)

5.1 Connecting the VP-413 / VP-414

To connect the **VP-414**¹, connect the following², as the example in Figure 5 illustrates:

1. Connect one composite video source to the CV IN RCA connector and/or one s-Video source to the Y/C 4p input connector.
2. Connect the VGA – WXGA / HD OUT HD15F connector³ to an acceptor (for example, a Plasma Display).
3. Connect the 5V DC power adapter to the power socket and connect the adapter to the mains electricity.
4. Press the INPUT SELECT button to select the desired input⁴.
5. Press the OUTPUT RES. button to select the desired resolution.

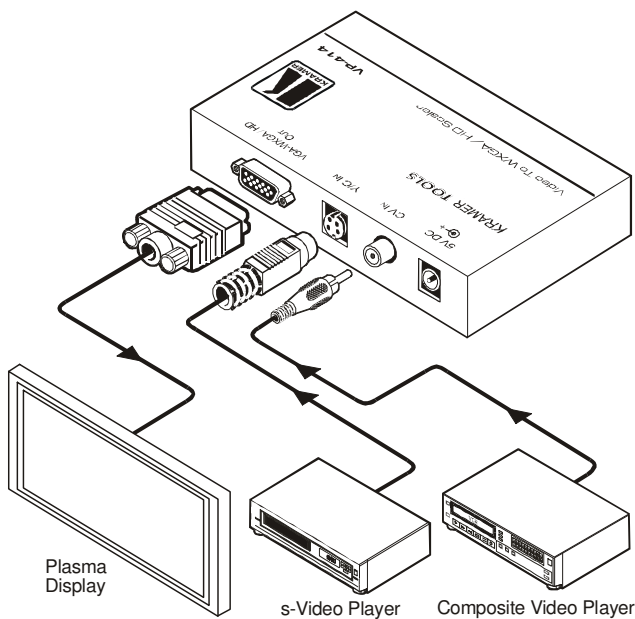


Figure 5: Connecting the VP-414

1 Same for the VP-413 machine, except for output resolutions, see Table 1

2 Switch OFF the power on each device before connecting it to your VP-414. After connecting your VP-414, switch on its power and then switch on the power on each device

3 VP-413 does not include HD resolution

4 VP-414 includes an HD LED to indicate that HD resolutions are selected (item 9 in Table 3)

5.2 Connecting the VP-415 / VP-416

To connect the **VP-416**¹, connect the following², as the example in Figure 6 illustrates:

1. Connect one composite video source to the CV IN RCA connector and/or one s-Video source to the Y/C 4p input connector.
2. Connect the DVI-I / HD connector³ to an acceptor (for example, a Plasma Display). Both analog and digital signals are available on this output.
3. Connect the 5V DC power adapter to the power socket and connect the adapter to the mains electricity.
4. Press the INPUT SELECT button to select the desired input.
5. Press the OUTPUT RES. button to select the desired resolution⁴.

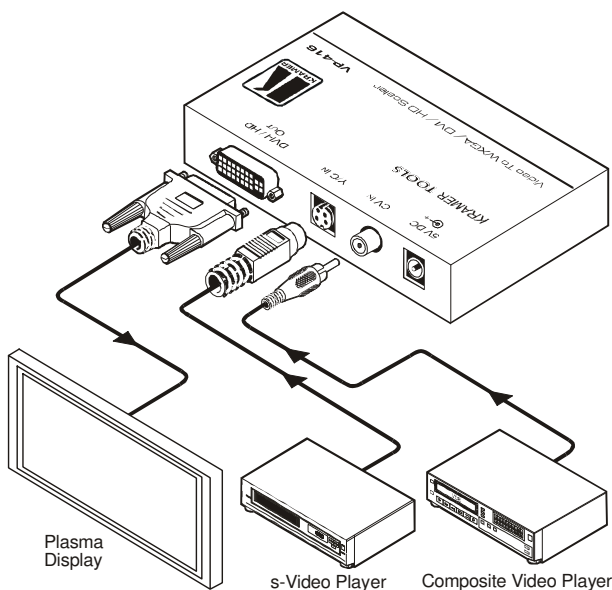


Figure 6: Connecting the VP-416

1 Same for the VP-415 machine, except for output resolutions, see Table 1

2 Switch OFF the power on each device before connecting it to your VP-416. After connecting your VP-416, switch on its power and then switch on the power on each device

3 VP-415 does not include HD resolution

4 VP-416 includes an HD LED to indicate that HD resolutions are selected (item 9 in Table 5)

6 Technical Specifications

Table 6 includes the technical specifications¹:

Table 6: Technical Specifications of the VP-413, VP-414, VP-415 and VP-416

INPUTS:	1 CV 1Vpp/75Ω on an RCA connector; 1 Y/C 1Vpp (Y); 0.3Vpp (C)/75Ω on a 4p connector
OUTPUTS:	VP-413: 1 VGA (VGA through WXGA) on an HD15F connector VP-414: 1 VGA (VGA through WXGA /HD) on an HD15F connector VP-415: 1 VGA (analog) and 1 DVI-D (digital) on a DVI-I connector (VGA through WXGA) VP-416: 1 VGA (analog) and 1 DVI-D (digital) on a DVI-I connector (VGA through WXGA and HD)
OUTPUT RESOLUTIONS:	VP-413, VP-415: VGA (640 x 480), SVGA (800 x 600), XGA (1024 x 768) and WXGA (1366 x 768) VP-414, VP-416: VGA (640 x 480), SVGA (800 x 600), XGA (1024 x 768) and WXGA (1366 x 768), 480p, 576p, 720p and 1080i
OUTPUT REFRESH RATE:	60Hz
CONTROLS:	Pushbuttons and LEDs for selection of Input Source and Output Resolution
POWER SOURCE:	VP-413, VP-414: 5 VDC, 800mA (typical) VP-415, VP-416: 5 VDC, 850mA (typical)
DIMENSIONS:	12cm x 7.5cm x 2.5cm (4.7" x 2.95" x 0.98", W, D, H)
WEIGHT:	0.3 kg. (0.67 lbs.) approx.
ACCESSORIES:	Power supply

¹ Specifications are subject to change without notice

LIMITED WARRANTY

Kramer Electronics (hereafter *Kramer*) warrants this product free from defects in material and workmanship under the following terms.

HOW LONG IS THE WARRANTY

Labor and parts are warranted for three years from the date of the first customer purchase.

WHO IS PROTECTED?

Only the first purchase customer may enforce this warranty.

WHAT IS COVERED AND WHAT IS NOT COVERED

Except as below, this warranty covers all defects in material or workmanship in this product. The following are not covered by the warranty:

1. Any product which is not distributed by Kramer, or which is not purchased from an authorized Kramer dealer. If you are uncertain as to whether a dealer is authorized, please contact Kramer at one of the agents listed in the web site www.kramerelectronics.com.
2. Any product, on which the serial number has been defaced, modified or removed.
3. Damage, deterioration or malfunction resulting from:
 - i) Accident, misuse, abuse, neglect, fire, water, lightning or other acts of nature
 - ii) Product modification, or failure to follow instructions supplied with the product
 - iii) Repair or attempted repair by anyone not authorized by Kramer
 - iv) Any shipment of the product (claims must be presented to the carrier)
 - v) Removal or installation of the product
 - vi) Any other cause, which does not relate to a product defect
 - vii) Cartons, equipment enclosures, cables or accessories used in conjunction with the product

WHAT WE WILL PAY FOR AND WHAT WE WILL NOT PAY FOR

We will pay labor and material expenses for covered items. We will not pay for the following:

1. Removal or installations charges.
2. Costs of initial technical adjustments (set-up), including adjustment of user controls or programming. These costs are the responsibility of the Kramer dealer from whom the product was purchased.
3. Shipping charges.

HOW YOU CAN GET WARRANTY SERVICE

1. To obtain service on you product, you must take or ship it prepaid to any authorized Kramer service center.
2. Whenever warranty service is required, the original dated invoice (or a copy) must be presented as proof of warranty coverage, and should be included in any shipment of the product. Please also include in any mailing a contact name, company, address, and a description of the problem(s).
3. For the name of the nearest Kramer authorized service center, consult your authorized dealer.

LIMITATION OF IMPLIED WARRANTIES

All implied warranties, including warranties of merchantability and fitness for a particular purpose, are limited in duration to the length of this warranty.

EXCLUSION OF DAMAGES

The liability of Kramer for any effective products is limited to the repair or replacement of the product at our option. Kramer shall not be liable for:

1. Damage to other property caused by defects in this product, damages based upon inconvenience, loss of use of the product, loss of time, commercial loss; or:
2. Any other damages, whether incidental, consequential or otherwise. Some countries may not allow limitations on how long an implied warranty lasts and/or do not allow the exclusion or limitation of incidental or consequential damages, so the above limitations and exclusions may not apply to you.

This warranty gives you specific legal rights, and you may also have other rights, which vary from place to place.

NOTE: All products returned to Kramer for service must have prior approval. This may be obtained from your dealer. This equipment has been tested to determine compliance with the requirements of:

- EN-50081: "Electromagnetic compatibility (EMC);
generic emission standard.
Part 1: Residential, commercial and light industry"
- EN-50082: "Electromagnetic compatibility (EMC) generic immunity standard.
Part 1: Residential, commercial and light industry environment".
- CFR-47: FCC Rules and Regulations:
Part 15: "Radio frequency devices
Subpart B – Unintentional radiators"

CAUTION!

- ☒ Servicing the machines can only be done by an authorized Kramer technician. Any user who makes changes or modifications to the unit without the expressed approval of the manufacturer will void user authority to operate the equipment.
- ☒ Use the supplied DC power supply to feed power to the machine.
- ☒ Please use recommended interconnection cables to connect the machine to other components.





For the latest information on our products and a list of Kramer distributors, visit our Web site: www.kramerelectronics.com, where updates to this user manual may be found. We welcome your questions, comments and feedback.



Kramer Electronics, Ltd.

Web site: www.kramerelectronics.com

E-mail: info@kramerelectronics.com

P/N: 2900-00042 REV 1

Free Manuals Download Website

<http://myh66.com>

<http://usermanuals.us>

<http://www.somanuals.com>

<http://www.4manuals.cc>

<http://www.manual-lib.com>

<http://www.404manual.com>

<http://www.luxmanual.com>

<http://aubethermostatmanual.com>

Golf course search by state

<http://golfingnear.com>

Email search by domain

<http://emailbydomain.com>

Auto manuals search

<http://auto.somanuals.com>

TV manuals search

<http://tv.somanuals.com>