

Kramer Electronics, Ltd.



USER MANUAL

Model:

RK-1UTB/T

Under the Table Enclosure

Contents

1	Introduction	1
2	Getting Started	1
3	Overview	2
3.1	Recommendations for Best Performance	3
4	Your Kramer RK-1UTB/T Under the Table Enclosure	4
5	Install the Kramer RK-1UTB/T Under the Table Enclosure	5
5.1	Mount the Kramer devices on the RK-1UTB/T	5
5.1.1	Installing a Kramer TOOL	5
5.1.2	Mounting a Kramer Machine	7
5.2	Securing the RK-1UTB/T Enclosure to the Table	8
5.3	Installing the Cables	8
5.4	Mounting Units that do not have Underside Screw Holes	9
5.5	Connecting a Blank Panel to the RK-1UTB/T	10
6	Technical Specifications	10

Figures

Figure 1:	RK-1UTB/T Under a Table	2
Figure 2:	RK-1UTB/T Under the Table Enclosure	4
Figure 3:	Attaching the “L” Shaped Bracket	5
Figure 4:	Sliding the TOOL	6
Figure 5:	Attaching the TOOL to the Brackets	6
Figure 6:	RK-1UTB/T Under the Table Enclosure – Underside	7
Figure 7:	Securing the RK-1UTB/T Underneath of the Table	8
Figure 8:	Mounting a half-19" unit via Screws on the RK-1UTB/T Side Panel	9
Figure 9:	RK-1UTB/T Rack Adapter – Connecting a Blank Panel	10

Tables

Table 1:	Using the RK-1UTB/T	3
Table 2:	RK-1UTB/T Blank Panels – Part Numbers	3
Table 3:	RK-1UTB/T Under the Table Enclosure Features	4
Table 4:	Technical Specifications of the RK-1UTB/T	10

1 Introduction

Welcome to Kramer Electronics! Since 1981, Kramer Electronics has been providing a world of unique, creative, and affordable solutions to the vast range of problems that confront the video, audio, presentation, and broadcasting professional on a daily basis. In recent years, we have redesigned and upgraded most of our line, making the best even better! Our 1,000-plus different models now appear in 11 groups¹ that are clearly defined by function.

Congratulations on purchasing your Kramer **RK-1UTB/T** *Under the Table Enclosure*, a furniture-mounted adapter which is ideal for boardrooms, conference and training rooms!

The package includes the following items:

- **RK-1UTB/T** *Under the Table Enclosure*
- 1 1/4U blank panel²
- 1 “L” shaped TOOL bracket and additional mechanical parts (screws, nuts and so on)
- This user manual³

2 Getting Started

We recommend that you:

- Unpack the equipment carefully and save the original box and packaging materials for possible future shipment
- Review the contents of this user manual

¹ GROUP 1: Distribution Amplifiers; GROUP 2: Switchers and Matrix Switchers; GROUP 3: Control Systems; GROUP 4: Format/Standards Converters; GROUP 5: Range Extenders and Repeaters; GROUP 6: Specialty AV Products; GROUP 7: Scan Converters and Scalers; GROUP 8: Cables and Connectors; GROUP 9: Room Connectivity; GROUP 10: Accessories and Rack Adapters; GROUP 11: Sierra Products

² P/N: 60-900014

³ Download up-to-date Kramer user manuals from the Internet at this URL: <http://www.kramerelectronics.com>



3 Overview

The **RK-1UTB/T** is an under the table enclosure that is easily installed underneath a wooden table or podium top. The unit is sturdy, cost-effective, and easy to install.

The **RK-1UTB/T**:

- Lets you install one half-19" 1U unit or a combination of 1/4-19" 1U units and 1/8-19" 1U units. The examples in [Table 1](#) illustrate how different products can be combined
- Includes three USA power sockets
- Lets you install up to two wall plate inserts, according to your requirements¹

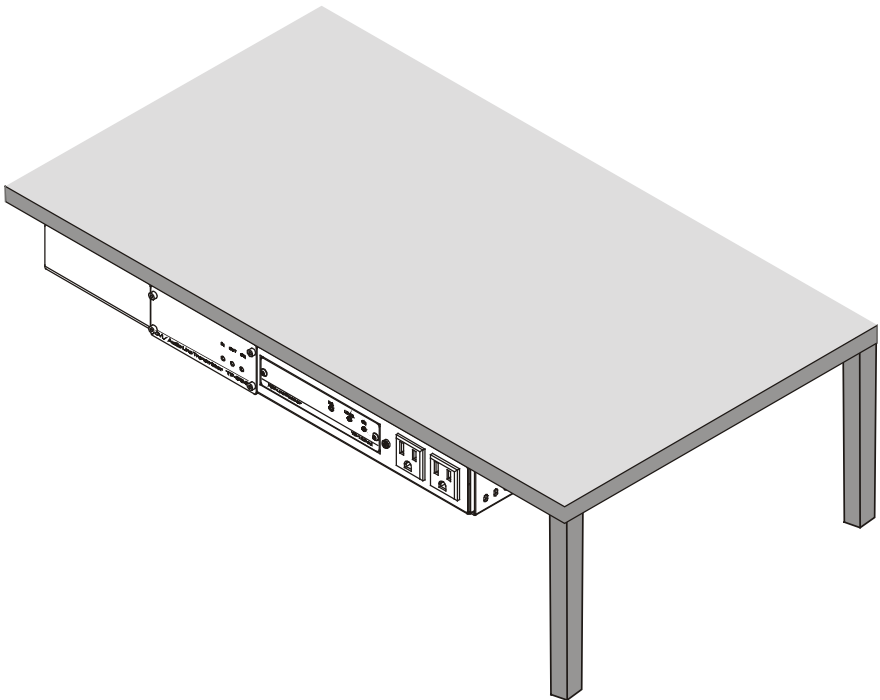


Figure 1: RK-1UTB/T Under a Table

¹ For details of Kramer's wall plate devices and module connectors, see our Web site at <http://www.kramerelectronics.com>

Table 1: Using the RK-1UTB/T

Mounting Kramer products ¹ on the RK-1UTB	For example:
<div style="border: 1px solid black; width: 100px; height: 20px; margin: 0 auto; display: flex; align-items: center; justify-content: center;">1/2</div>	<ul style="list-style-type: none"> • One VP-100A unit
<div style="display: flex; justify-content: space-around; width: 100%;"> <div style="border: 1px solid black; width: 40px; height: 20px; display: flex; align-items: center; justify-content: center;">1/4</div> <div style="border: 1px solid black; width: 40px; height: 20px; display: flex; align-items: center; justify-content: center;">1/4</div> </div>	<ul style="list-style-type: none"> • Two 104B units
<div style="display: flex; justify-content: space-around; width: 100%;"> <div style="border: 1px solid black; width: 40px; height: 20px; display: flex; align-items: center; justify-content: center;">1/4</div> <div style="border: 1px solid black; width: 30px; height: 20px; display: flex; align-items: center; justify-content: center;">1/8</div> <div style="border: 1px solid black; width: 30px; height: 20px; display: flex; align-items: center; justify-content: center;">1/8</div> </div>	<ul style="list-style-type: none"> • One 104B unit • One PS-1DVI unit • One PT-1PS unit
<div style="display: flex; justify-content: space-around; width: 100%;"> <div style="border: 1px solid black; width: 30px; height: 20px; display: flex; align-items: center; justify-content: center;">1/8</div> <div style="border: 1px solid black; width: 30px; height: 20px; display: flex; align-items: center; justify-content: center;">1/8</div> <div style="border: 1px solid black; width: 30px; height: 20px; display: flex; align-items: center; justify-content: center;">1/8</div> <div style="border: 1px solid black; width: 30px; height: 20px; display: flex; align-items: center; justify-content: center;">1/8</div> </div>	<ul style="list-style-type: none"> • Four PS-1DVI units

The **RK-1UTB/T** does not have to be entirely full with mounted units. You can use the optional blank panels defined in [Table 2](#) to fill the empty spaces.

Table 2: RK-1UTB/T Blank Panels – Part Numbers

Blank Panel Description	Part Number
PNL-BLANK/1/2U-19"	60-900013
PNL-BLANK/1/4U-19" ²	60-900014
PNL-BLANK/1/8U-19"	60-900015

3.1 Recommendations for Best Performance

We recommend that you:

- Have a Philips screwdriver available
- Disconnect the mains voltage and all cables connected to each machine that is being mounted in the rack adapter before proceeding with the installation
- Connect only good quality connection cables, thus avoiding interference, deterioration in signal quality due to poor matching, and elevated noise levels (often associated with low quality cables)
- Avoid interference from neighboring electrical appliances and position your rack adapter on the rack away from moisture, excessive sunlight and dust

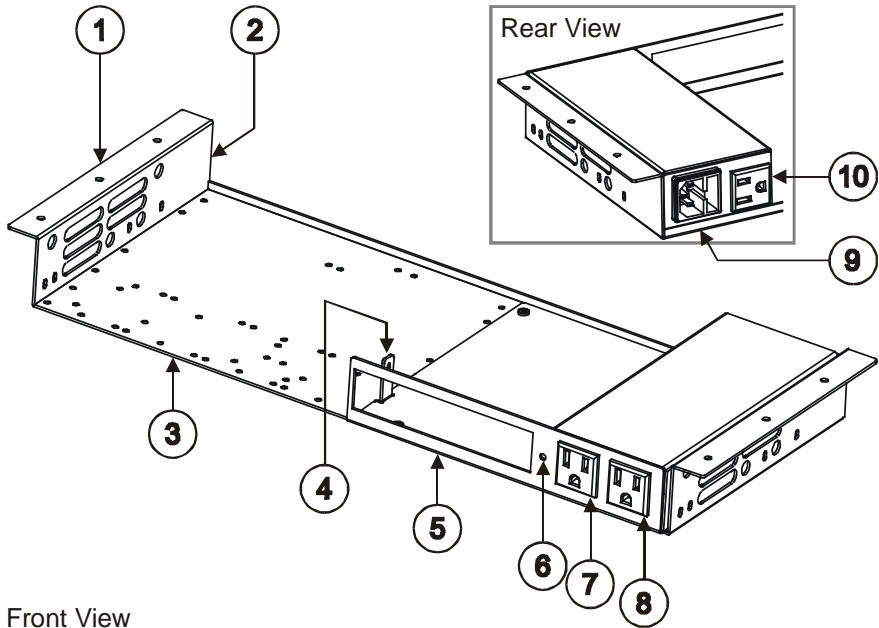
¹ Each product is measured in inches

² Supplied with the unit



4 Your Kramer RK-1UTB/T Under the Table Enclosure

[Figure 2](#) and [Table 3](#) define the **RK-1UTB/T**:



Front View

Figure 2: RK-1UTB/T Under the Table Enclosure

Table 3: RK-1UTB/T Under the Table Enclosure Features

#	Feature	Function
1	Rim Screw Holes	For fixing the RK-1UTB/T under the table (3 on each side)
2	Side Panel	Includes screw holes for fixing the 1/2U or 1/4U unit using the appropriate screw holes
3	Mounting Area	Space for mounting a Kramer machines ¹ . Underside includes a set of screw holes that are suitable for the units to be mounted.
4	Fixed TOOL Bracket ²	For attaching a Kramer TOOL
5	TOOL Opening	Shows the TOOL front panel
6	TOOL Bracket Screw Hole ²	For attaching the Kramer TOOL
7	Power Socket	Connect to power a peripheral device ³
8	Power Socket	Connect to power a peripheral device ³
9	Power Socket (6.3A)	Connect to the mains power
10	Power Socket	Connect to power the Kramer machine ³

¹ One half-19" 1U unit, or a combination of 1/4-19" 1U units and 1/8-19" 1U units (see [Table 1](#))

² See section [5.1.1](#)

³ Suitable for the USA version power requirements (110V)

5 Install the Kramer RK-1UTB/T Under the Table Enclosure

To install the **RK-1UTB/T** you have to:

- Mount the Kramer devices on the **RK-1UTB/T** (see section [5.1](#))
- Attach the **RK-1UTB/T** under the table (see section [5.2](#))
- Install the cables (see section [5.3](#))

This section also describes how to:

- Mount units that do not have underside screw holes (see section [5.4](#))
- Connect a blank panel (see section [5.5](#))

5.1 Mount the Kramer devices on the RK-1UTB/T

The example illustrated in [Figure 1](#) shows the **TP-1200D** Kramer TOOL with the Kramer 1/4U **TP-953**.

5.1.1 Installing a Kramer TOOL

To mount a Kramer TOOL do the following:

1. Remove the two TOOL M3x6 side screws¹.
2. Attach the “L” shaped bracket to the TOOL and screw in the appropriate hole to the right side panel² of the TOOL (see [Figure 3](#)).

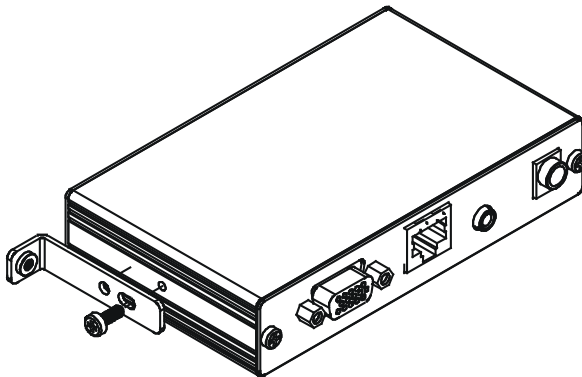


Figure 3: Attaching the “L” Shaped Bracket

¹ In some TOOL models, two M3x6 screws are attached to the sides of the Tool and can be used to fasten the brackets. Otherwise, ignore this step, use the side screws supplied with the kit, and continue to step 2

² With front panel facing you

- Slide the TOOL with the attached bracket so that the TOOL front panel faces the TOOL opening on the **RK-1UTB/T** and the “L” shaped bracket hole faces the TOOL bracket screw hole on the **RK-1UTB/T** front panel (see [Figure 4](#)).

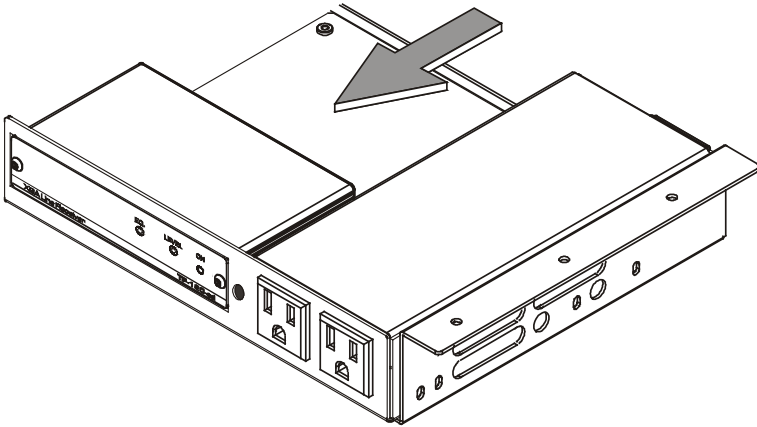


Figure 4: Sliding the TOOL

- Fasten the fixed bracket to the left side of the TOOL¹ and fasten the attached “L” shaped bracket to the front panel of the **RK-1UTB/T**² (see [Figure 5](#)).

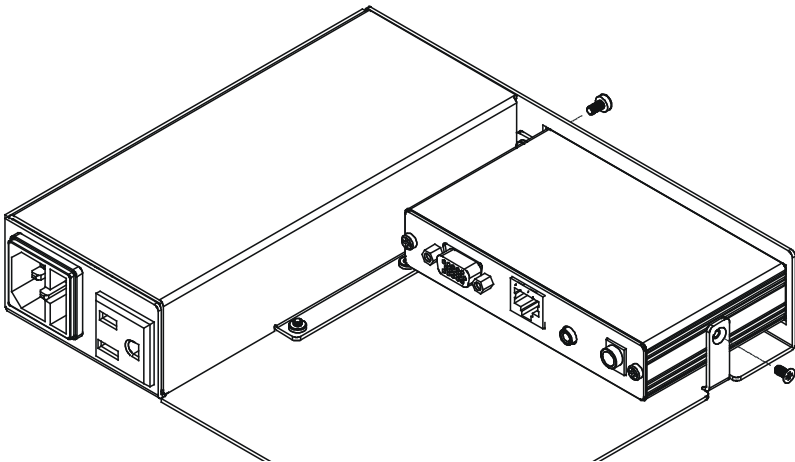


Figure 5: Attaching the TOOL to the Brackets

1 The left side when front panel is facing you

2 Through the TOOL bracket screw hole on the RK-1UTB/T front panel

5.1.2 Mounting a Kramer Machine

The **RK-1UTB/T** underside mounting area includes a set of screw holes that are suitable for any combination of units to be mounted.

To mount a unit on the **RK-1UTB/T** (for example, the Kramer **TP-953** MultiTOOL¹), as illustrated in [Figure 2](#), do the following:

1. Place the **TP-953** on the rack.
2. Hold both the **TP-953** and the **RK-1UTB/T** with your hands and turn them upside down.
3. Insert the appropriate amount of screws² through the holes on the **RK-1UTB/T** that fit the holes on the underside of the **TP-953**, using the M3x6 screws supplied with the unit (as illustrated in [Figure 6](#)).
4. Tighten the screws.
5. Rotate the **RK-1UTB/T** horizontally with the unit connected³.

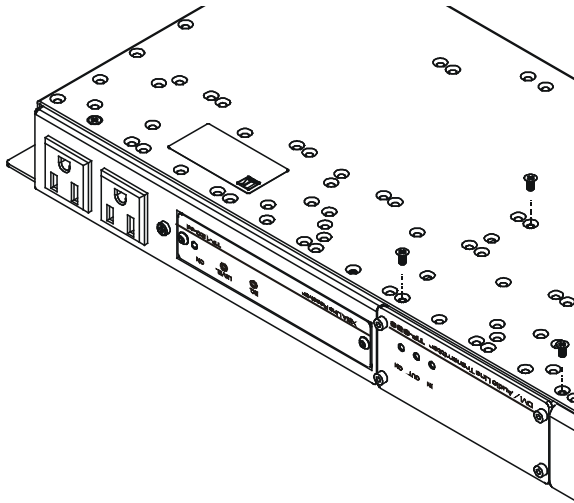


Figure 6: RK-1UTB/T Under the Table Enclosure – Underside

To mount a second 1/4U unit or, alternatively, a 1/2U unit, repeat the above procedure⁴.

1 A 1/4U machine

2 In this example, 3 screws are used to mount the TP-953

3 When connecting several units (as defined in [Table 1](#)), place the next unit and then repeat steps 2 to 5

4 A 1/2U unit will require a different number of screws. To mount a 1/2U unit with no underside screw holes, see section [5.4](#)

5.2 Securing the RK-1UTB/T Enclosure to the Table

To install the **RK-1UTB/T** underneath the table, as illustrated in [Figure 7](#), do the following:

1. Place the unit to the underside of the table and mark the correct location.
2. Insert the six 4x3/8" wood screws into the six rim screw holes (three on each side) and fix the **RK-1UTB/T** to the table.

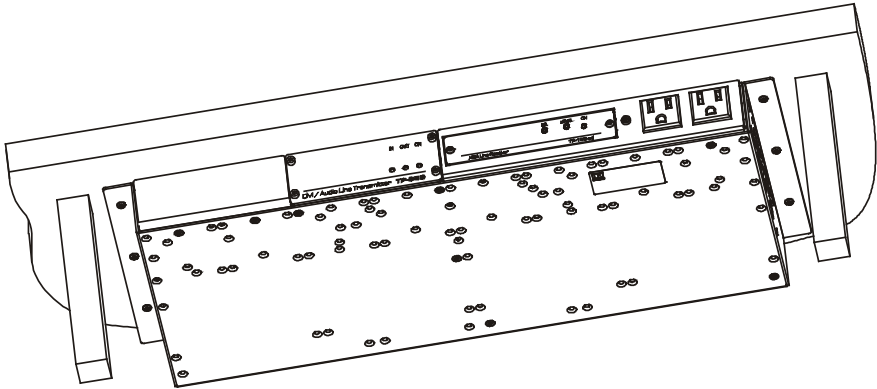


Figure 7: Securing the RK-1UTB/T Underneath of the Table

5.3 Installing the Cables

To install the cables, do the following:

1. Connect the cables on the rear side of the unit.
2. Connect the Kramer machine (for example, the **TP-953**) to the power socket.

The **RK-1UTB/T** can accommodate 12V, 500mA and 5.2V, 2A DC power adapters. If the machine installed requires a larger size power adapter, we recommend using the Kramer 12V desktop power supply with a DC plug¹ which fits easily into the rear side of the **RK-1UTB/T** enclosure.

3. Connect other devices to the power sockets on the front panel.
4. Connect the rear side power socket to the mains power.

The **RK-1UTB/T** is ready for use.

¹ P/N 2535-000635

5.4 Mounting Units that do not have Underside Screw Holes

Some Kramer machines do not have screw holes on the underside, which fit the holes on the **RK-1UTB/T**. These machines (for example, the **VP-5xl**¹) are connected via the screw holes on the sides of the **RK-1UTB/T**.

To mount the **VP-5xl** on the **RK-1UTB/T** as illustrated in [Figure 8](#), do the following:

1. Unscrew the two M3x6 screws from the side panel of the unit, which will be attached to the side panel of the **RK-1UTB/T**.
2. Place the **VP-5xl** on the rack, adjacent to the inner side panel of the **RK-1UTB/T**.
3. Insert the two M3x6 screws through the holes on the side panel of the **RK-1UTB/T** that fit the holes on the side panel of the unit.
4. Tighten the screws.

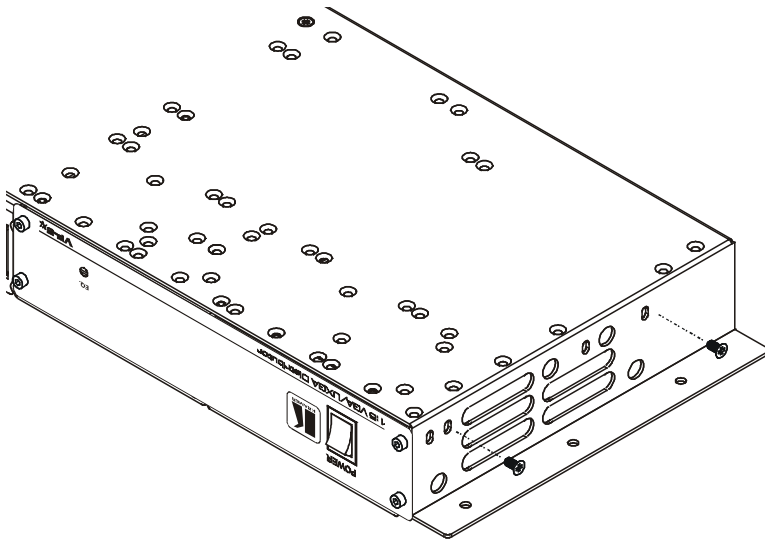


Figure 8: Mounting a half-19" unit via Screws on the RK-1UTB/T Side Panel

¹ A half-19" unit

5.5 Connecting a Blank Panel to the RK-1UTB/T

You can connect a blank panel¹ to the **RK-1UTB/T** to cover an empty space, as the example in [Figure 9](#) illustrates:

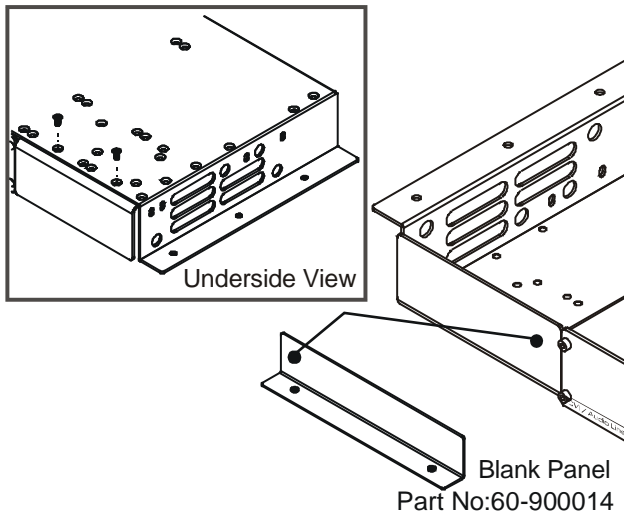


Figure 9: RK-1UTB/T Rack Adapter – Connecting a Blank Panel

6 Technical Specifications

[Table 4](#) includes the technical specifications:

Table 4: Technical Specifications² of the RK-1UTB/T

DIMENSIONS:	19-inch (W), 7-inch (D) 1U (H)
WEIGHT:	1.2kg (2.65lbs) approx.
ACCESSORIES:	6 M3x6 screws; six 4X3/8" screws; 1/4U blank panel ³
OPTIONS:	Blank panels ⁴

¹ Specified in section [6](#)

² Specifications are subject to change without notice

³ P/N: 60-900014

⁴ One half-19" blank panel (P/N: 60-900013); 1/8U-19" blank panel (P/N: 60-900015)

LIMITED WARRANTY

Kramer Electronics (hereafter *Kramer*) warrants this product free from defects in material and workmanship under the following terms.

HOW LONG IS THE WARRANTY

Labor and parts are warranted for seven years from the date of the first customer purchase.

WHO IS PROTECTED?

Only the first purchase customer may enforce this warranty.

WHAT IS COVERED AND WHAT IS NOT COVERED

Except as below, this warranty covers all defects in material or workmanship in this product. The following are not covered by the warranty:

1. Any product which is not distributed by Kramer, or which is not purchased from an authorized Kramer dealer. If you are uncertain as to whether a dealer is authorized, please contact Kramer at one of the agents listed in the Web site www.kramerelectronics.com.
2. Any product, on which the serial number has been defaced, modified or removed, or on which the WARRANTY VOID IF TAMPERED sticker has been torn, reattached, removed or otherwise interfered with.
3. Damage, deterioration or malfunction resulting from:
 - i) Accident, misuse, abuse, neglect, fire, water, lightning or other acts of nature
 - ii) Product modification, or failure to follow instructions supplied with the product
 - iii) Repair or attempted repair by anyone not authorized by Kramer
 - iv) Any shipment of the product (claims must be presented to the carrier)
 - v) Removal or installation of the product
 - vi) Any other cause, which does not relate to a product defect
 - vii) Cartons, equipment enclosures, cables or accessories used in conjunction with the product

WHAT WE WILL PAY FOR AND WHAT WE WILL NOT PAY FOR

We will pay labor and material expenses for covered items. We will not pay for the following:

1. Removal or installations charges.
2. Costs of initial technical adjustments (set-up), including adjustment of user controls or programming. These costs are the responsibility of the Kramer dealer from whom the product was purchased.
3. Shipping charges.

HOW YOU CAN GET WARRANTY SERVICE

1. To obtain service on you product, you must take or ship it prepaid to any authorized Kramer service center.
2. Whenever warranty service is required, the original dated invoice (or a copy) must be presented as proof of warranty coverage, and should be included in any shipment of the product. Please also include in any mailing a contact name, company, address, and a description of the problem(s).
3. For the name of the nearest Kramer authorized service center, consult your authorized dealer.

LIMITATION OF IMPLIED WARRANTIES

All implied warranties, including warranties of merchantability and fitness for a particular purpose, are limited in duration to the length of this warranty.

EXCLUSION OF DAMAGES

The liability of Kramer for any effective products is limited to the repair or replacement of the product at our option. Kramer shall not be liable for:

1. Damage to other property caused by defects in this product, damages based upon inconvenience, loss of use of the product, loss of time, commercial loss; or:
2. Any other damages, whether incidental, consequential or otherwise. Some countries may not allow limitations on how long an implied warranty lasts and/or do not allow the exclusion or limitation of incidental or consequential damages, so the above limitations and exclusions may not apply to you.

This warranty gives you specific legal rights, and you may also have other rights, which vary from place to place.

NOTE: All products returned to Kramer for service must have prior approval. This may be obtained from your dealer.

This equipment has been tested to determine compliance with the requirements of:

- EN-50081: "Electromagnetic compatibility (EMC);
generic emission standard.
Part 1: Residential, commercial and light industry"
- EN-50082: "Electromagnetic compatibility (EMC) generic immunity standard.
Part 1: Residential, commercial and light industry environment".
- CFR-47: FCC* Rules and Regulations:
Part 15: "Radio frequency devices
Subpart B Unintentional radiators"

CAUTION!

- ⊗ Servicing the machines can only be done by an authorized Kramer technician. Any user who makes changes or modifications to the unit without the expressed approval of the manufacturer will void user authority to operate the equipment.
- ⊗ Use the supplied DC power supply to feed power to the machine.
- ⊗ Please use recommended interconnection cables to connect the machine to other components.

* FCC and CE approved using STP cable (for twisted pair products)





For the latest information on our products and a list of Kramer distributors, visit our Web site: www.kramerelectronics.com, where updates to this user manual may be found. We welcome your questions, comments and feedback.



Caution

Safety Warning:

Disconnect the unit from the power supply before opening/servicing.



Kramer Electronics, Ltd.

Web site: www.kramerelectronics.com

E-mail: info@kramereel.com

P/N: 2900-000705 REV 1

Free Manuals Download Website

<http://myh66.com>

<http://usermanuals.us>

<http://www.somanuals.com>

<http://www.4manuals.cc>

<http://www.manual-lib.com>

<http://www.404manual.com>

<http://www.luxmanual.com>

<http://aubethermostatmanual.com>

Golf course search by state

<http://golfingnear.com>

Email search by domain

<http://emailbydomain.com>

Auto manuals search

<http://auto.somanuals.com>

TV manuals search

<http://tv.somanuals.com>