

USB KVM Console Extender

User Manual (GCE700)



Thank you for purchasing the IOGEAR USB KVM Console Extender that allows you to access your computer or KVM switch from up to 500 ft away, via a CAT5e cable. This unit is perfect for moving the console away from the computer or the KVM switch. Your console can be moved across the room or hall, out of the server room, or anywhere that is most convenient. It is also useful for security and monitoring purposes, where you can have the system unit in a secure area at the same time that you put the console in the most convenient location for user access and monitoring. A USB KVM Console Extender is a cost effective solution because it uses inexpensive UTP (CAT5e) cabling to extend the distance, versus expensive and bulky coaxial cabling. It is easy to install and operate because of the Auto Signal Compensation (ASC) technology, which senses the distance and adjusts the signal levels accordingly so there is no need to do any dip switch setting.

We hope that you will enjoy using your USB KVM Console Extender and find it to be a useful solution.

© 2003 IOGEAR. All Rights Reserved. PKG-M0070

IOGEAR, the IOGEAR logo, MiniView, MiniView II, MiniView SE, MasterView, and VSE are trademarks or registered trademarks of IOGEAR Inc. Microsoft and Windows are registered trademarks of Microsoft Corporation. IBM is a registered trademark of International Business Machines, Inc. Macintosh, G3/G4 and iMac are registered trademarks of Apple Computer, Inc. IOGEAR makes no warranty of any kind with regards to the information presented in this document. All information furnished here is for informational purposes only and is subject to change without notice. IOGEAR technology assumes no responsibility for any inaccuracies or errors that may appear in this document.

Table of Contents

Table of Contents:

Package Contents	02
Features	03
System Requirements	04
Introduction	05
Installation	08
Operation	11
Troubleshooting	13
Twisted Pair Wiring Diagram	14
Twisted Pair Pin Assignment	15
Specification	16
Technical Support	17
Radio & TV Interference Statement	18
Limited Warranty	19

This package contains:

- 1 USB KVM Console Extender Local Unit
- 1 USB KVM Console Extender Remote Unit
- 1 Custom KVM Cable
- 2 Power Adapters
- 1 User Manual
- 1 Warranty Registration Card

If any items are missing or damaged please contact your dealer.

Features

Features

- Allows remote access up to 500 away via CAT5e cables
- Auto Signal Compensation (ASC) helps make installation easy, with no need to configure DIP switches
- Dual console operation - control your system from both local and remote USB keyboards, USB mice, and monitors
- USB over-current detection and prevention
- Easy to operate - push button selection between local and remote console
- High video resolution - up to 1280 x 1024
- Supports VGA, SVGA, and Multisync monitors
- Local monitor supports DDC; DDC2; DDC2B
- Hot pluggable
- Plug-n-Play – no need for any software driver installation

Requirements

Consoles:

- VGA, SVGA, or Multisync monitor capable of the highest resolution that you will be using on any computer in the installation
- USB keyboard
- USB mouse

Computers:

- VGA, SVGA or Multisync card
- Available USB port

Cables:

- Category 5e rated UTP (Unshielded Twisted Pairs) cable with solid conductors is the minimum requirement to connect the GCE700 local unit to the GCE700 remote unit. Cable of a lesser standard will result in degrading of the video signal. For best performance, we strongly recommend Category 5e or Category 6 cables

Introduction

GCE700 Local Unite Front View

1. Operating Mode Selection Switch

Pressing this button toggles between the choices of operating modes:

- Local - only the local console can control the system(s);
- Auto - both consoles can control the system(s).

2. LEDs

The Local Unit has two LEDs to indicate the operating status of the Local and Remote units.

3. USB Keyboard and Mouse Ports

The local USB Keyboard and local USB mouse plug into these ports.

4. Monitor Port

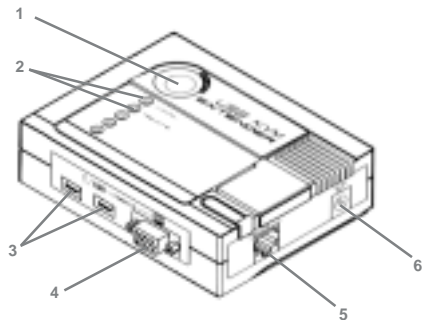
The local monitor plugs into this port.

5. Remote I/O

The Category 5e cable that connects to the Remote Unit plugs into this port.

6. Power Jack

The cable from the AC Power Adapter plugs into this jack.



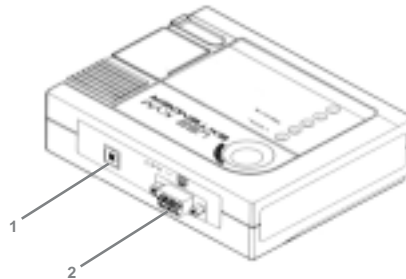
GCE700 Local Unit Rear View

1. USB Port

Plug the USB Type B connector of the USB KVM Cable supplied with this package in here.

2. Monitor Port

The HDB-15 VGA Connector of the USB KVM Custom Cable supplied with this package plugs in here.



Introduction

GCE700 Remote Unit Front View

1. LEDs

The Remote Unit has two LEDs (Status and On Line) to indicate the operating status of the Local and Remote units.

2. USB Keyboard and Mouse Port

The remote USB keyboard and USB mouse plug into these ports.

3. Monitor Port

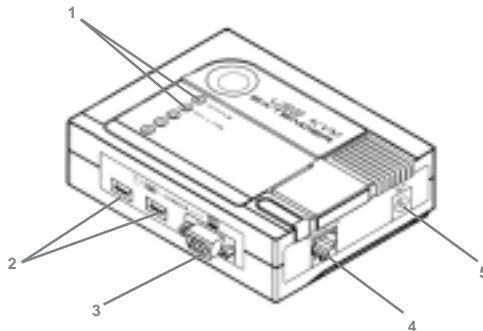
The remote monitor plugs into this port.

4. Remote I/O

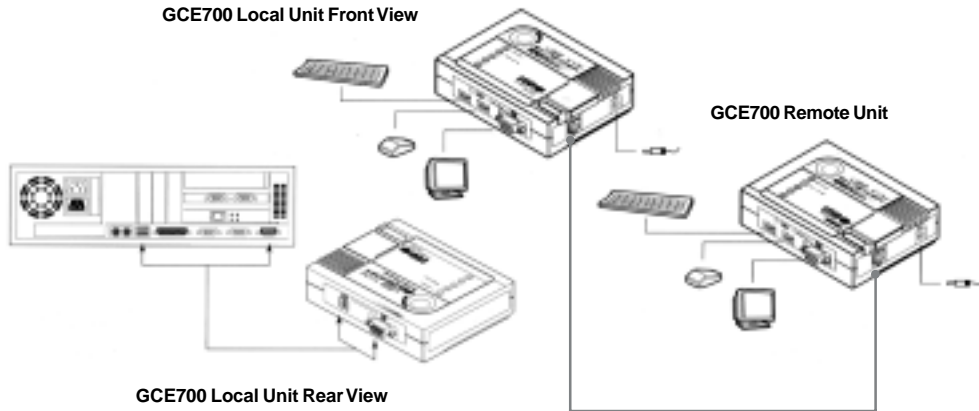
The Category 5e cable that connects back to the Local Unit plugs into this port.

5. Power Jack

The cable from the AC Power Adapter plugs into this jack.



Setting up the USB KVM Console Extender System is simply a matter of plugging in the cables:



Installation

Installation

1. Make sure that all the equipment to be connected up is powered off.
2. Plug the cables from the local console devices (mouse, keyboard, monitor), into their ports on the Console side of the Local Unit
3. Plug the appropriate connectors on the USB KVM extension cable supplied with this unit into the CPU side of the Local Unit. Each connector is marked with an appropriate icon to indicate what it is.
4. Plug the connectors on the other end of the cable into the appropriate ports on the computer system (or Console section of the USB KVM switch). Each connector is marked with an appropriate icon to indicate what it is.
5. Plug either end of the Category 5e cable into the Remote I/O port of the Local Unit.
6. Plug one of the power adapters (supplied with this package) into an AC source; plug the adapter's power cable into the Power Jack of the Local Unit.
7. Plug the other end of the Category 5e cable into the I/O port of the Remote Unit.

8. Plug the cables from the remote console devices (USB mouse, USB keyboard, monitor), into their ports on the Console side of the Remote Unit.
9. Plug the second power adapter (supplied with this package) into an AC source; plug the adapter's power cable into the Power Jack of the Remote Unit.

Operation

Operation:

Once the installation is completed, you can access your computer and KVM switch from either local or remote console.

You can select either local or auto by pushing the SELECT button. The auto mode allows either console to take over, and allow the other console to view.

The Local and Remote Units each have two LEDs to indicate their operating status, as shown in the tables below:

Local Unit:

Operating Mode	LEDs	
	Local	Remote
Local Console Active	FLASH	OFF
Remote Console Active	OFF	FLASH
Error / Disconnect	ON	OFF
Not Ready	OFF	OFF
Neither Console Active	ON	ON

Remote Unit:

Operating Mode	LEDs	
	Status	Online
Local Console Active	OFF	ON
Remote Console Active	FLASH	ON
Error / Disconnect	OFF	FLASH
Not Ready	OFF	OFF
Neither Console Active	ON	ON

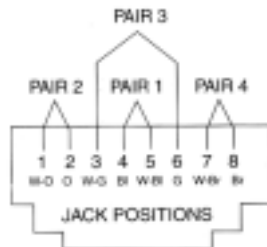
Troubleshooting

Troubleshooting

Symptoms	Action
No Video	Make sure that all cables are securely plugged into their sockets
Not reaching the distance specified	Make sure that you use Category 5e or Category 6 cable with solid conductors. Using stranded patch cables will affect the distance.

Twisted Pair Wiring Diagram

Twisted Pair Wiring Diagram



T568B
AT&T 568A

Twisted Pair Pin Assignments

Twisted Pair Pin Assignments

Pin	Assignment
1	/V OUT B
2	V OUT B
3	/V OUT G
4	/V OUT R
5	V OUT R
6	V OUT G
7	/DO
8	DO

Specifications

Function		GCE700 Local Unit	GCE700 Remote Unit
Console Connectors	Keyboard	USB Type A	
	Mouse	USB Type A	
	Monitor	1 x 15 pin HDB Female	1 x 15 pin HDB Female
	Unit To Unit	8P8C Jack	
CPU Connectors	Keyboard/Mouse	USB Type B	N/A
	Video	1 x 15 pin HDB Male	N/A
LEDs		1 Local 1 Remote	1 Status 1 On Line
Function Keys		Local/Auto Select Button	N/A
Cable Length		150m. (500 ft.) maximum	
Video Resolution		1280 x 1024; DDC; DDC2; DDC2B*	
Power Consumption		AC 9V, 6.8W	AC 9V, 7.4W
Housing		Plastic	
Weight		.45 lbs	.45 lbs
Dimensions (LxWxH)		1.275" x 5" x 4.25"	

Technical Support

Please check out our IOGEAR Tech Info Library (T.I.L.) at www.iogear.com/support for the latest tips, tricks, and troubleshooting. The IOGEAR T.I.L. was designed to provide you with the latest technical information about our products. Most of the answers to your questions can be found here, so please try it out before contacting technical support. Service Support can be reached at IOGEAR® from 8am to 5pm Pacific Standard Time, Monday through Friday or at the following address:

23 Hubble Drive
Irvine, CA 92618

You may also reach us online at www.iogear.com/support 24 hours a day. Please be ready to give a brief description of the problem, and what you were doing when the problem occurred, before calling Service Support. The Service Support representative will be able to serve you much quicker if you are prepared to answer the following questions listed below.

- 1) What version of OS are you using?
- 2) What type of computer are you using?
- 3) Can the problem be reproduced? If so, what are the steps necessary to reproduce the problem
- 4) When does the problem occur?
- 5) What have you already tried to get the problem resolved?
- 6) What is the purchase date and serial number of the product?
- 7) Are you on a network? If so, what type of network is it?
- 8) Where any messages displayed on the screen when the error occurred? If so, what was the exact wording of the message?

Radio & TV Interference Statement

WARNING!!! This equipment generates, uses and can radiate radio frequency energy and, if not installed and used in accordance with the instruction manual, may cause interference to radio communications. This equipment has been tested and found to comply with the limits for a Class B computing device pursuant to Subpart J of Part 15 of FCC Rules, which are designed to provide reasonable protection against such interference when operated in a commercial environment. Operation of this equipment in a residential area is likely to cause interference, in which case the user at his own expense will be required to take whatever measures may be required to correct the interference.

Limited Warranty

Limited Warranty

IN NO EVENT SHALL THE DIRECT VENDOR'S LIABILITY FOR DIRECT, INDIRECT, SPECIAL, INCIDENTAL OR CONSEQUENTIAL DAMAGES RESULTING FROM THE USE OF THE PRODUCT, DISK OR ITS DOCUMENTATION EXCEED THE PRICE PAID FOR THE PRODUCT.

The direct vendor makes no warranty or representation, expressed, implied, or statutory with respect to the contents or use of this documentation, and especially disclaims its quality, performance, merchantability, or fitness for any particular purpose.

The direct vendor also reserves the right to revise or update the device or documentation without obligation to notify any individual or entity of such revisions, or updates. For further inquiries please contact your direct vendor.





Contact info.

23 Hubble • Irvine, CA 92618 • (P) 949 453 8782 • (F) 949 453 8785 • www.iogear.com

Download from www.Somanuals.com. All Manuals Search And Download.

Free Manuals Download Website

<http://myh66.com>

<http://usermanuals.us>

<http://www.somanuals.com>

<http://www.4manuals.cc>

<http://www.manual-lib.com>

<http://www.404manual.com>

<http://www.luxmanual.com>

<http://aubethermostatmanual.com>

Golf course search by state

<http://golfingnear.com>

Email search by domain

<http://emailbydomain.com>

Auto manuals search

<http://auto.somanuals.com>

TV manuals search

<http://tv.somanuals.com>