

FRONT:



1. System Requirements

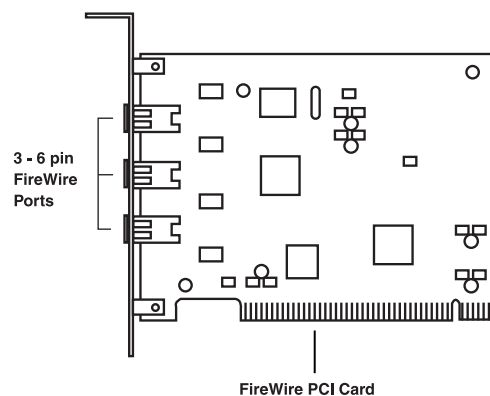
- 266 MHz Pentium II (or equivalent) and higher; 350MHz Pentium II (or equivalent) recommended
- 64 MB of RAM; 128MB recommended
- 1 available PCI slot
- 80 MB hard drive space for video editing software
- 6 GB of free hard drive space for DV and MPEG-2 Editing
- Video card with 4 MB RAM; minimum 800 x 600 resolution at 16-bit hi-color
- 16-bit stereo sound card and speakers
- CD-ROM or DVD-ROM drive
- PC running Windows 98, or Windows 98 Second Edition, Windows 2000, or Windows Millimium

2. Features

- Allows IEEE 1394 Connections to Standard PCI Bus PCs
- IEEE 1394 OHCI Compliant
- PCI Rev. 2.2 Compliant
- 100/400 Mbps Transfer Rates
- Plug and Play
- Three IEEE1394 Ports
- Supports up to 63 Devices (Digital Camcorders, Hard Drives, Scanners, And More)
- Easy To Install - No Jumpers, Switches Or Terminators Required
- 3.3V Power Consumption / 5V Input Tolerant

3. Installing the FireWire PCI Card (PC)

1. Open the computer case according to the instructions that came with its Users Manual.
2. Install the FireWire PCI Card into any empty PCI slot in the computer's expansion card area, in the same way you would install an ordinary expansion card. See your computer's User Manual for details, if necessary.



4. FireWire PCI Card Driver Installation (PC)

1. Once the IEEE 1394 has been installed in the computer, boot the system up. Windows automatically detects the card's presence, and brings up the Add New Hardware dialog box; click on "Next" to continue.
2. In the dialog box that comes up, leave the default choice: Search for the best driver for your device (Recommended); click on "Next" to continue.
3. In the next dialog box, specify the location of Windows' driver data base (usually the default choice); click on "Next" to continue.
4. In the What do you want to install? dialog box that appears, leave the default choice: The updated driver (Recommended)...; click on "Next" to continue.
5. In the next dialog box, click on "Next" to continue. Windows proceeds to install the driver.
6. When the installation process has completed, click "Finish". If not prompted, Restart your computer. After reboot, your new FireWire PCI Card will be ready for use.
7. When the installation process has completed click "Finish" If not prompted, restart your computer. After reboot, your new FireWire PCI card will be ready for use.

5. Checking the Adapter Driver Installation (PC)

To check that the adapter driver was correctly installed:

1. Drill down through the following folders: My Computer; Control Panel; System folder
2. From there, select the Device Manager tab at the top of the dialog box
3. Click on the plus sign in front of the 1394 Bus Controller heading to see the listing. If the installation completed successfully, you should see an entry for PCI OHCI Compliant IEEE 1394 Host Controller if you are running Windows 98; or Texas Instruments OHCI Compliant IEEE 1394 Host Controller if you are running Windows 98 SE.

BACK:

6. FireWire PCI Card Software Installation (MAC)

Make sure you are running OS 8.6 or greater. For 8.6, install apple's latest USB Adapter Card Support & USB Mass Storage Support from Apples web site. If you are running OS 9 upgrade your system to OS 9.1 for greatest compliance & compatibility.

7. FireWire PCI Card Hardware Installation (MAC)

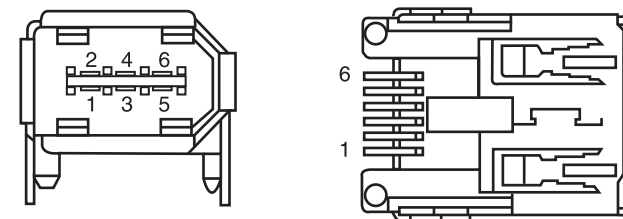
Open the computers case according to the instructions that came with the user manual. Install the FireWire PCI Card into the primary (slot 1) PCI slot within the computer. See your computers user manual for details, if necessary. Once the FireWire PCI Card is in place and the computer closed up, boot up your MAC. You are now ready to use FireWire.

8. Troubleshooting (PC)

Since the amount of time required by some SONY camcorders to be recognized as 1394 compliant devices is longer than what Windows 98 requires, Windows 98 may not be able to detect them. If this problem occurs, do the following:

1. Drill down through the following folders: My Computer; Control Panel; System
2. Select the Device Manager tab
3. Under 1394 Bus Controller; select Texas Instruments OHCI Compliant IEEE 1394 Host Controller
4. Click on Properties
5. In the dialog box that comes up, select the Settings tab
6. Check Support Non-Compliant Devices
7. Click on OK

Connector Pin Assignments



Troubleshooting (PC) cont.

Pin	Signal Description
1.	Bus Power
2.	Gnd
3.	TBP-
4.	TBP+
5.	TPA-
6.	TPA+

Warranty/Radio&TV Interference

Limited Warranty

IN NO EVENT SHALL THE DIRECT VENDOR'S LIABILITY FOR DIRECT, INDIRECT SPECIAL, INCIDENTAL, OR CONSEQUENTIAL DAMAGES RESULTING FROM THE USE OF THE PRODUCT, DISK, OR ITS DOCUMENTATION EXCEED THE PRICE PAID FOR THE PRODUCT.

The direct vendor makes no warranty or representation, expressed, implied, or statutory with respect to the contents or use of this documentation, and especially disclaims its quality, performance, and especially disclaims its quality, performance, merchantability, or fitness for any particular purpose.

The direct vendor also reserves the right to revise or update the device or documentation without obligation to notify any individual or entity of such revisions, or update. For further inquiries, please contact your direct vendor.

Radio & TV Interference

This equipment has been test and found to comply with the limits for a Class B digital device, pursuant to Part 15 of the FCC Rules. These limits are designed to provide reasonable protection against harmful interference in a residential installation. This equipment generates, uses and can radiate radio frequency energy and if not installed and used in accordance with the instructions, may cause harmful interference to radio communications. However, there is no guarantee that interference will not occur in a particular installation.

Free Manuals Download Website

<http://myh66.com>

<http://usermanuals.us>

<http://www.somanuals.com>

<http://www.4manuals.cc>

<http://www.manual-lib.com>

<http://www.404manual.com>

<http://www.luxmanual.com>

<http://aubethermostatmanual.com>

Golf course search by state

<http://golfingnear.com>

Email search by domain

<http://emailbydomain.com>

Auto manuals search

<http://auto.somanuals.com>

TV manuals search

<http://tv.somanuals.com>