

# INSIGNIA™

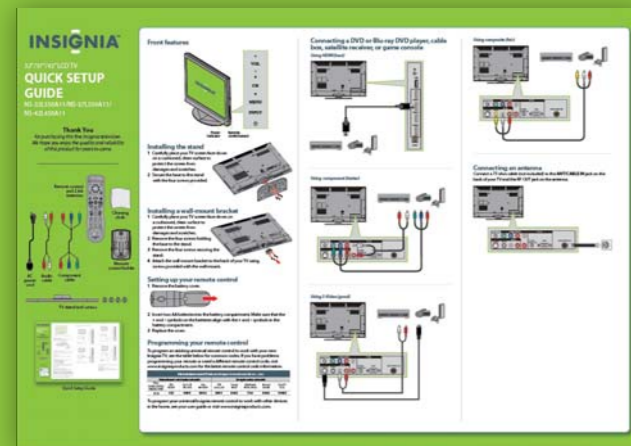
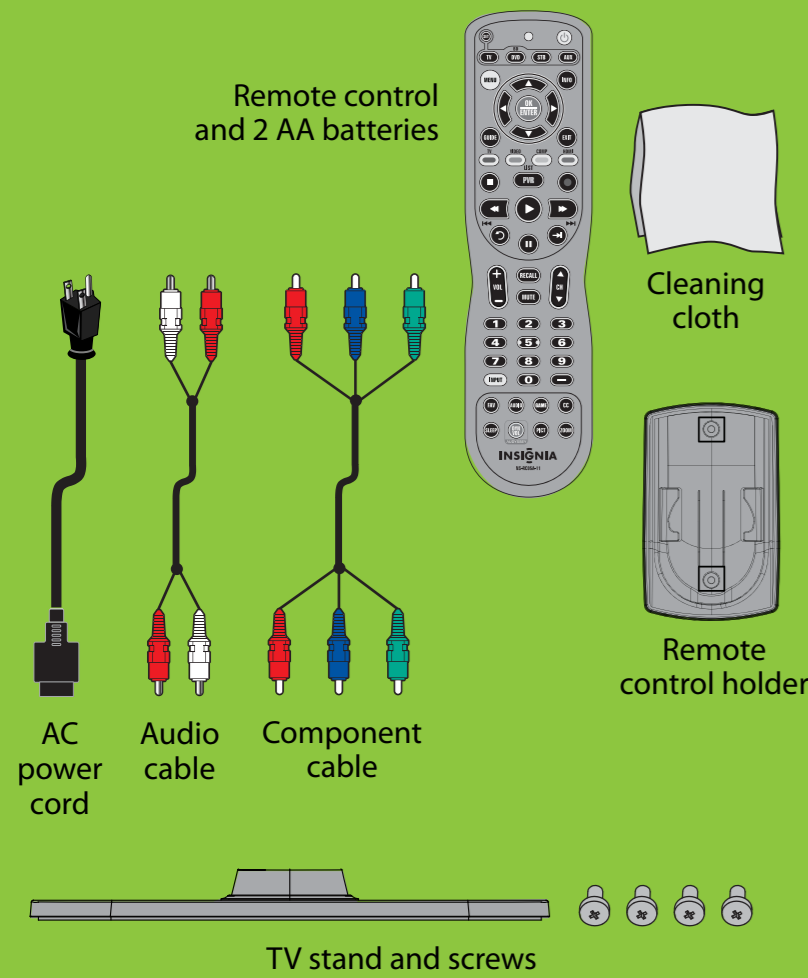
32"/37"/42"/46" LCD TV

## QUICK SETUP GUIDE

NS-32L550A11 / NS-37L550A11 /  
NS-42L550A11 / NS-46L550A11

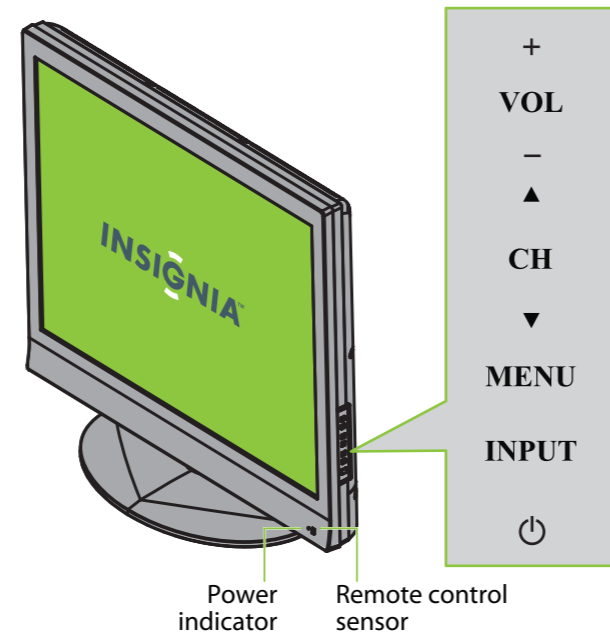
### Thank You

for purchasing this fine Insignia television.  
We hope you enjoy the quality and reliability  
of this product for years to come.



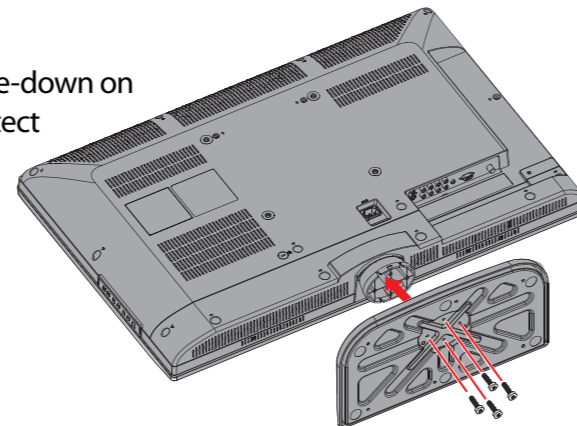
Quick Setup Guide

### Front features



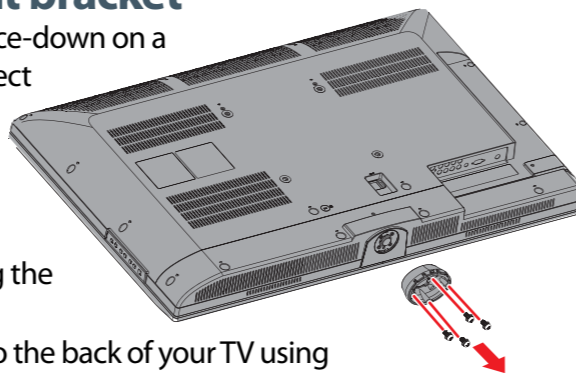
### Installing the stand

- Carefully place your TV screen face-down on a cushioned, clean surface to protect the screen from damages and scratches.
- Secure the base to the stand with the four screws provided.



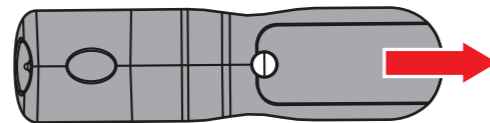
### Installing a wall-mount bracket

- Carefully place your TV screen face-down on a cushioned, clean surface to protect the screen from damages and scratches.
- Remove the four screws holding the base to the stand.
- Remove the four screws securing the stand.
- Attach the wall-mount bracket to the back of your TV using screws provided with the wall mount.



### Setting up your remote control

- Remove the battery cover.



- Insert two AA batteries into the battery compartment. Make sure that the + and - symbols on the batteries align with the + and - symbols in the battery compartment.
- Replace the cover.

### Programming your remote control

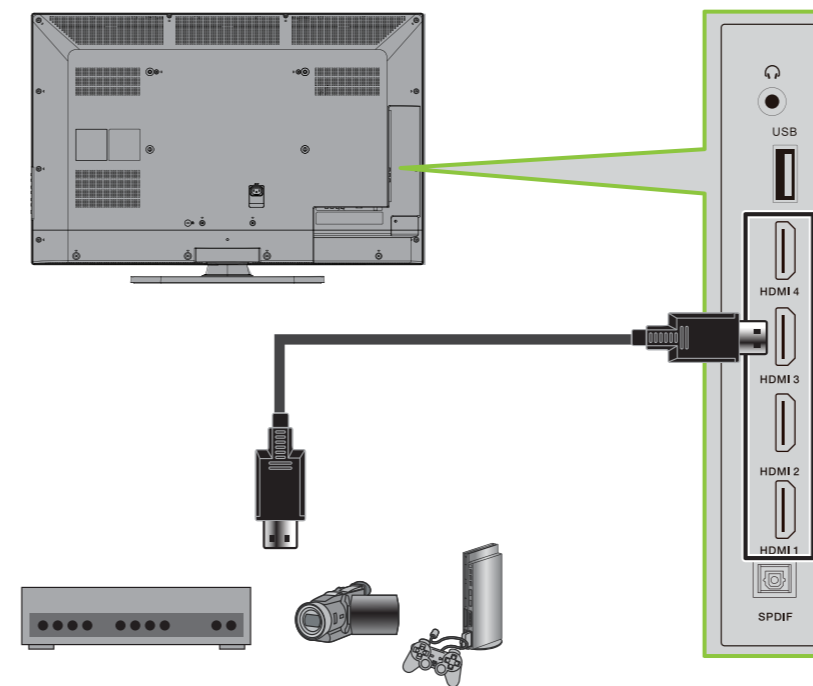
To program an existing universal remote control to work with your new Insignia TV, see the table below for common codes. If you have problems programming your remote or need a different remote control code, visit [www.insigniaproducts.com](http://www.insigniaproducts.com) for the latest remote control code information.

| Universal remote control TV codes (for all Insignia TVs manufactured after Jan. 1, 2007) |               |                         |                  |                      |                               |                                |                    |                  |  |
|--|---------------|-------------------------|------------------|----------------------|-------------------------------|--------------------------------|--------------------|------------------|--|
| Universal remote control makers and models   |               |                         |                  |                      | Set-top box makers and models |                                |                    |                  |  |
| Philips<br>PHDV05, PH5D55,<br>PMDV08, PDV08  | RCA<br>RCU807 | One for All<br>URC-6690 | Sony<br>RM-VL600 | TIVO<br>Series 3, HD | Comcast<br>M1057              | Dish Network<br>VIP508, VIP622 | Motorola<br>DRC800 | DirectTV<br>RC23 |  |
| 115  | 135           | 0464                    | 8043             | 0091                 | 0463                          | 720                            | 0463               | 10463            |  |

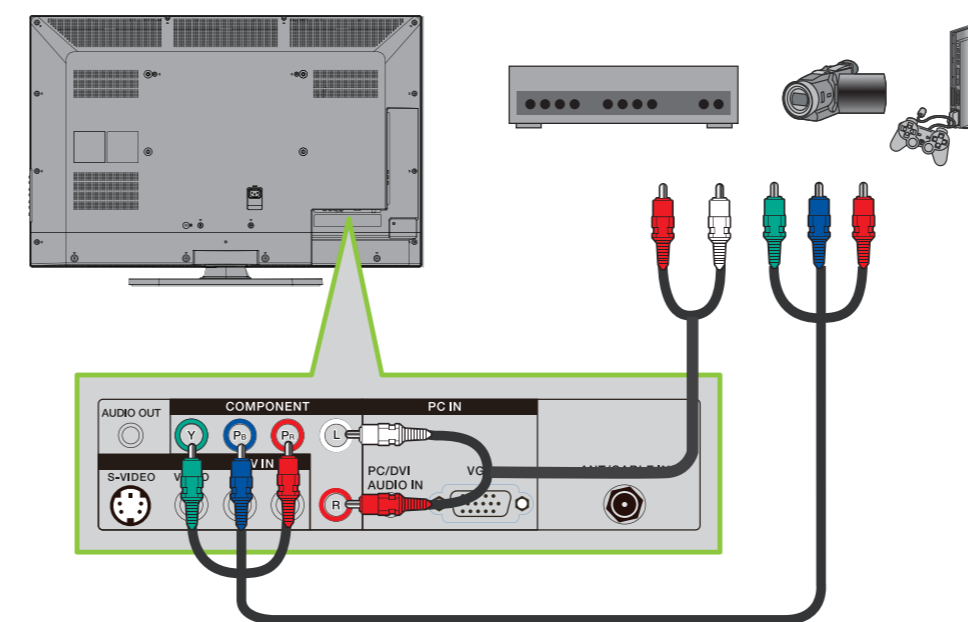
To program your universal Insignia remote control to work with other devices in the home, see your user guide or visit [www.insigniaproducts.com](http://www.insigniaproducts.com).

### Connecting a DVD or Blu-ray DVD player, cable box, satellite receiver, or game console

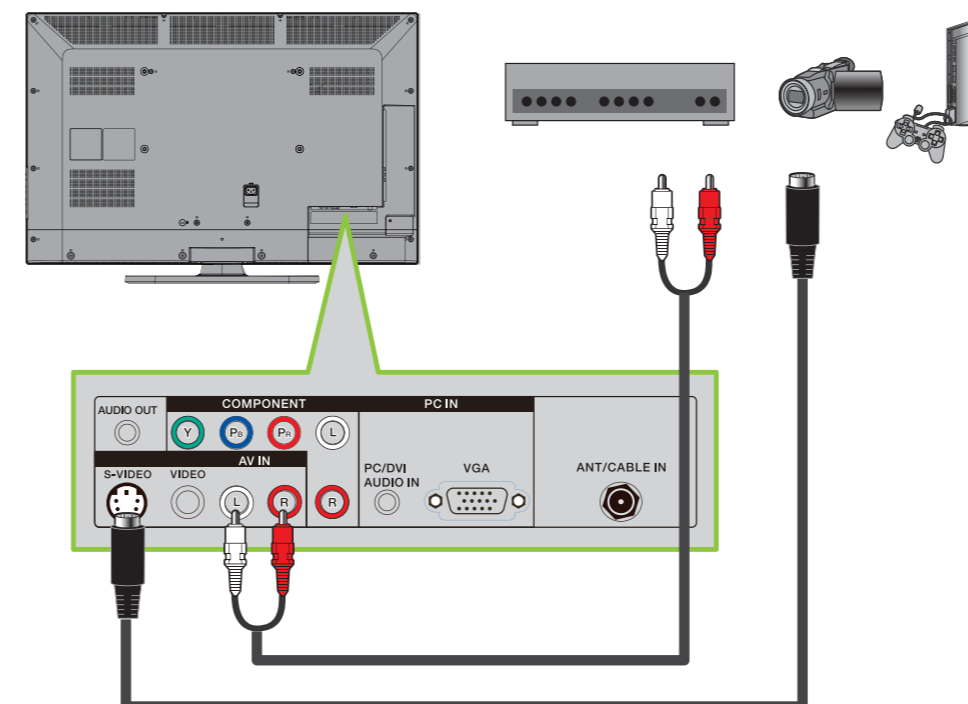
#### Using HDMI (best)



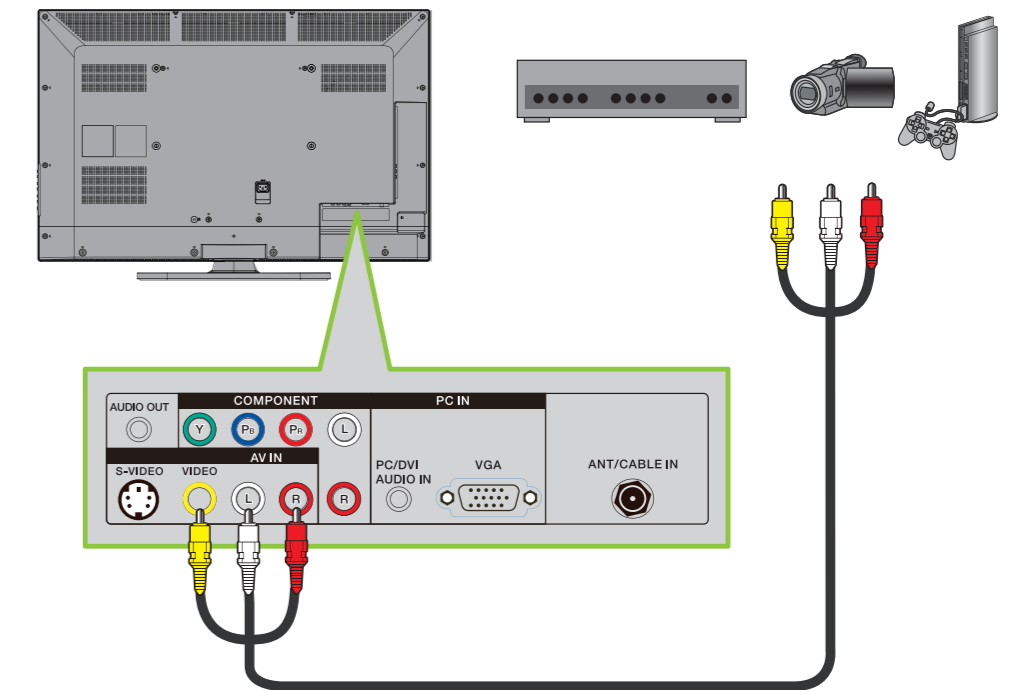
#### Using component (better)



#### Using S-Video (good)

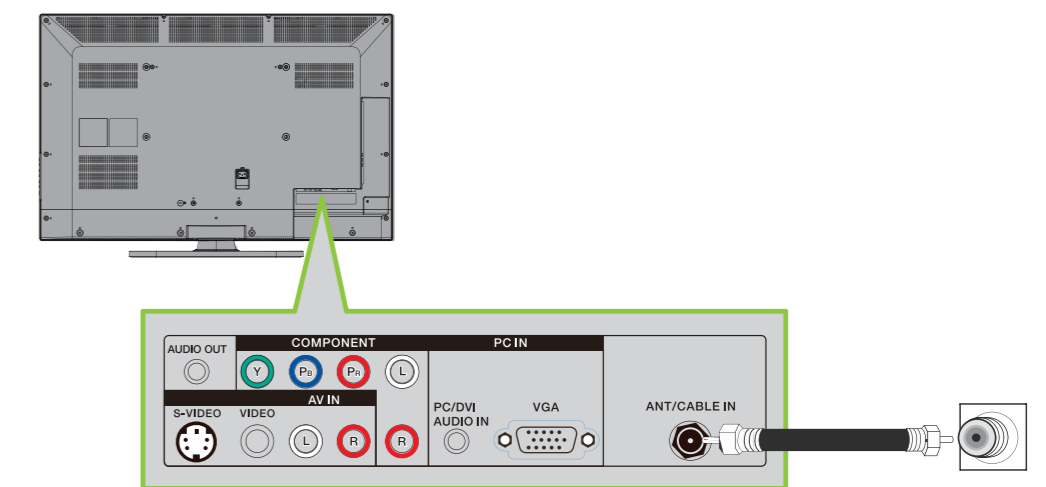


#### Using composite (fair)



### Connecting an antenna

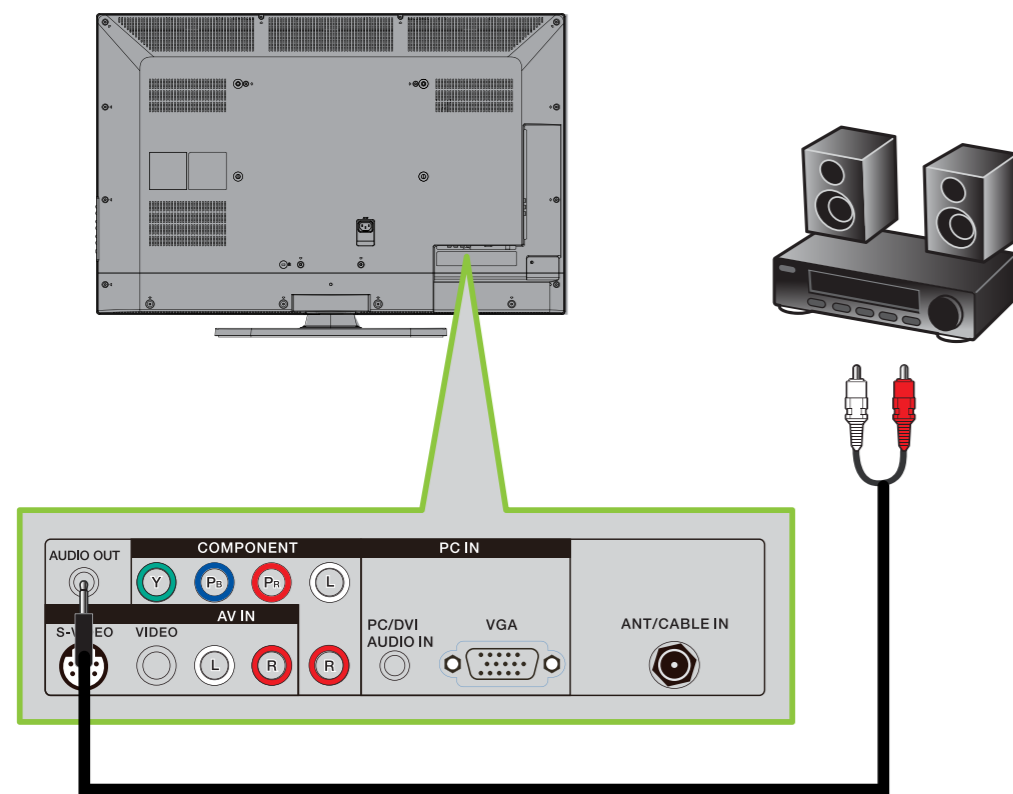
Connect a 75 ohm cable (not included) to the **ANT/CABLE IN** jack on the back of your TV and the RF OUT jack on the antenna.



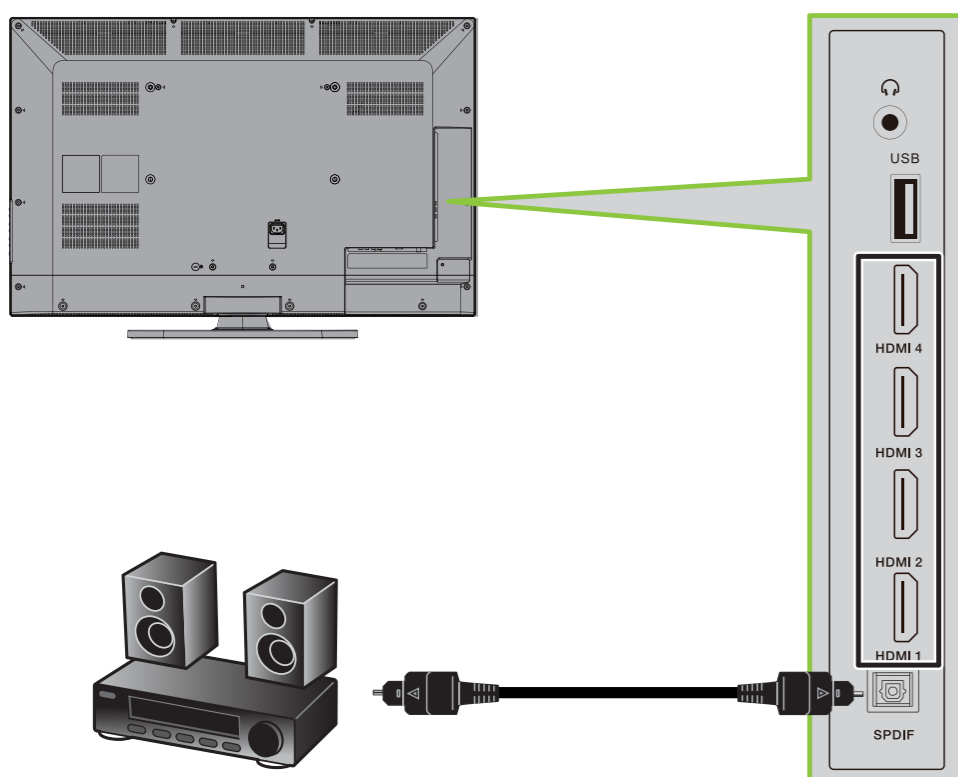


### Connecting a Home Theater System

#### Using analog audio

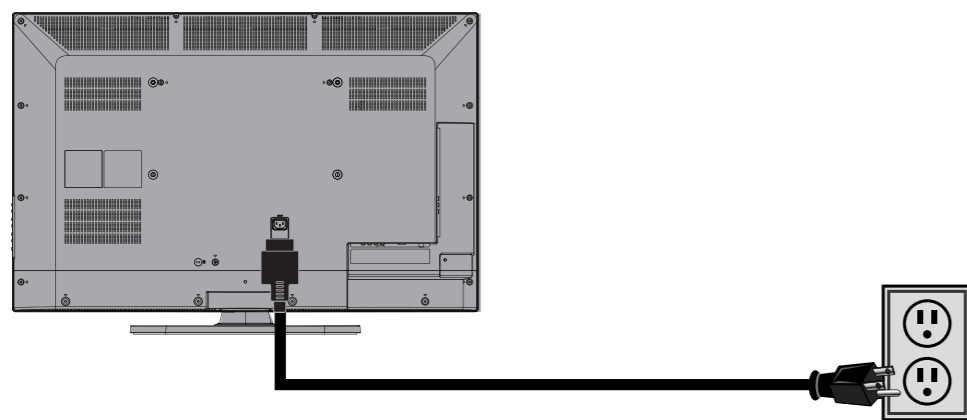


#### Using digital audio



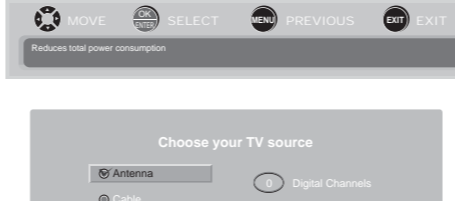
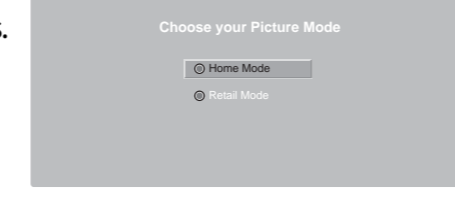
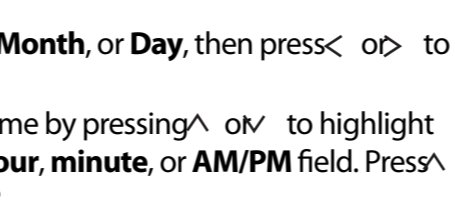
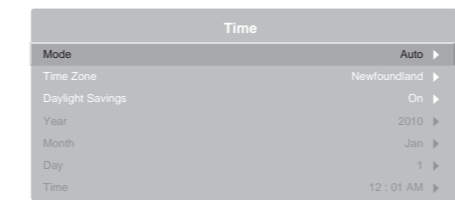
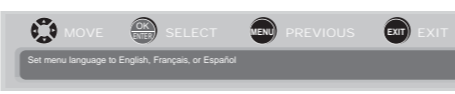
### Connecting power

Plug the AC power cord into the **AC IN** jack on the back of your TV, then plug the other end of the cord into a power outlet.



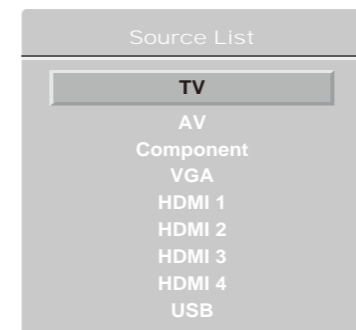
### Turning on your TV for the first time

- 1 Connect the power cord, then press **POWER** to turn on your TV.
- 2 The *Choose your menu language* screen opens. Press **▲** or **▼** to highlight the language you want, then press **OK/ENTER**.
- 3 The *Time* screen opens. Press **<** or **>** to select **Auto** or **Manual**, then press **OK/ENTER**.
- 4 Press **▲** or **▼** to highlight **Time Zone**, then press **<** or **>** to select your time zone.
- 5 Press **▲** or **▼** to highlight **Daylight Savings**, then press **<** or **>** to select **On** (if your viewing area observes Daylight Savings Time) or **Off** (if your viewing area does not observe Daylight Savings Time).
- 6 If you selected **Manual** for **Mode**, set the date by pressing **▲** or **▼** to highlight **Year**, **Month**, or **Day**, then press **<** or **>** to adjust the setting.
- 7 If you selected **Manual** for **Mode**, set the time by pressing **▲** or **▼** to highlight **Time**, then pressing **<** or **>** to select the **hour**, **minute**, or **AM/PM** field. Press **▲** or **▼** to adjust the setting. Press **OK/ENTER**.
- 8 The *Choose your Picture Mode* screen opens. Press **▲** or **▼** to highlight **Home Mode** (default) or **Retail Mode**, then press **OK/ENTER**. If you selected **Retail Mode**, a message appears "Are you sure you want **Retail Mode**? Since Energy saving is not realized." Select **Yes** to continue, or select **No** to change your selection.
- 9 The *Choose your TV source* screen opens. Press **▲** or **▼** to highlight **Antenna**, **Cable**, or **Cable/Satellite Box** (if your cable TV uses a box, select **Cable/Satellite Box**), then press **OK/ENTER**. If you chose **Antenna** or **Cable**, your TV automatically starts scanning for channels available in your viewing area. If you chose **Cable/Satellite box**, your TV does not need to scan for channels.



### Selecting the video input source

- Press **INPUT**, press **▲** or **▼** to highlight a source, then press **OK/ENTER**. You can also press any of the video source buttons directly.

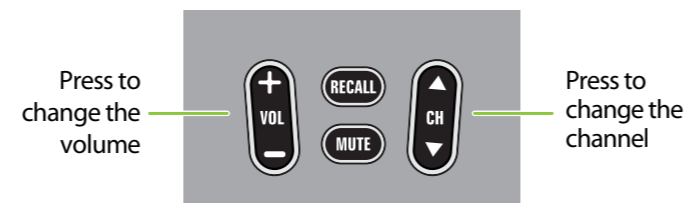


### Adjusting the volume

- Press **VOL+** or **VOL-** to change the volume.
- Press **MUTE** to turn off the sound.

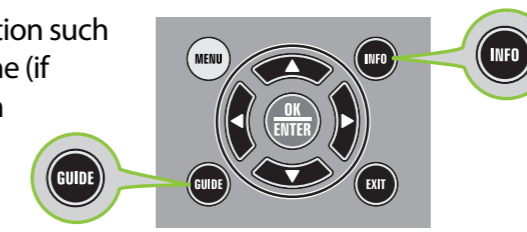
### Selecting a channel

- To move to a different channel in the channel list, press **CH▲** or **CH▼**.
- OR
- Enter the channel number directly using the number buttons.



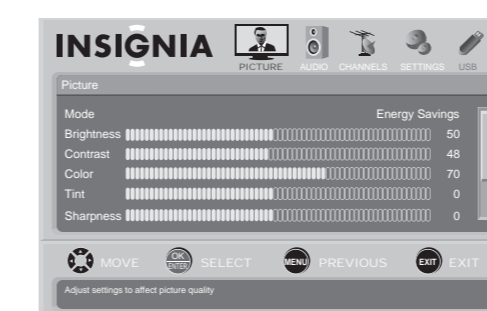
### Viewing additional information

- Press **INFO** to see status information such as channel number, channel name (if available), signal source, program description, and DTV signal strength.
- Press **GUIDE** to show the digital program guide, which may show current channel name, program name, time, rating, and summaries, depending on information provided by the broadcaster.

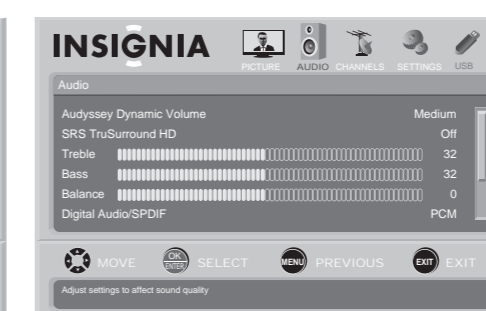


### On-screen menu overview

#### Picture menu



#### Audio menu



#### Channels menu



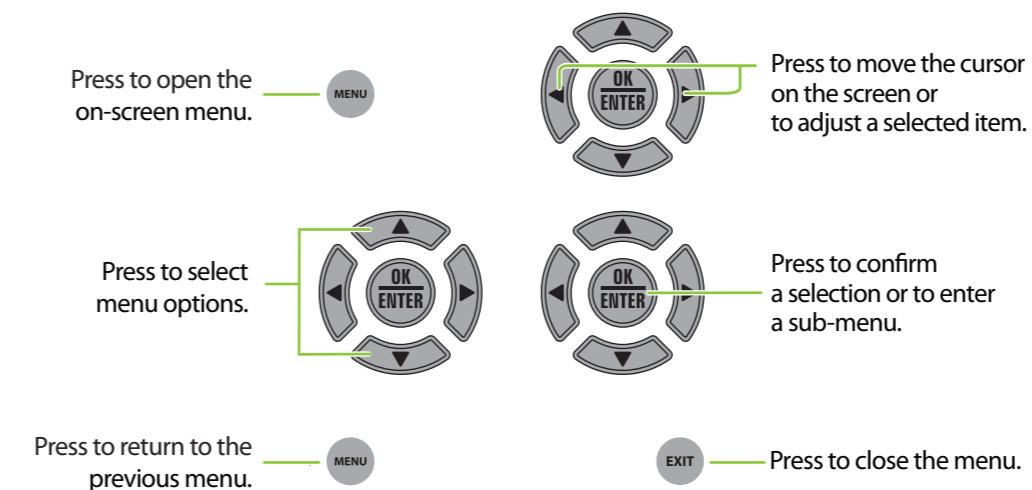
#### Settings menu



#### USB menu



### Navigating menus with your remote control



### Two-year limited warranty

See your *User Guide* or visit [www.insigniaproducts.com](http://www.insigniaproducts.com) for details.

### Need additional help?

See your *User Guide*! This comprehensive guide includes everything from basic how-to steps to more advanced features.

Check out our **online community forum** at [www.insigniaproducts.com](http://www.insigniaproducts.com) for helpful information from other Insignia TV owners.

### We're here for you

[www.insigniaproducts.com](http://www.insigniaproducts.com)

For customer service, call:

**877-467-4289 (U.S./Canada markets)**

**01 800-926-3000 (Mexico market)**

Distributed by Best Buy Purchasing, LLC  
7601 Penn Avenue South, Richfield, MN USA  
55423-3645

Best Buy Imports, S. de R.L. de C.V. Av. Santa Fe 485,  
Segundo Piso, Colonia Cruz Manca, Programa Parcial  
de Desarrollo Santa Fe, Delegación Cuajimalpa, Distrito  
Federal, México 05349  
RFC#BBI0802114Q2

© 2010 BBY Solutions, Inc.

All rights reserved. INSIGNIA is a trademark of BBY Solutions, Inc. Registered in some countries. All other products and brand names are trademarks of their respective owners.

## Free Manuals Download Website

<http://myh66.com>

<http://usermanuals.us>

<http://www.somanuals.com>

<http://www.4manuals.cc>

<http://www.manual-lib.com>

<http://www.404manual.com>

<http://www.luxmanual.com>

<http://aubethermostatmanual.com>

Golf course search by state

<http://golfingnear.com>

Email search by domain

<http://emailbydomain.com>

Auto manuals search

<http://auto.somanuals.com>

TV manuals search

<http://tv.somanuals.com>