

User Guide | Guide de l'utilisateur | Guía del Usuario



37" LCD TV | Téléviseur ACL de 37 po | Televisor Pantalla LCD de 37"

NS-37LCD

Insignia NS-37LCD

37" LCD TV

Contents

Safety information	3
Features	5
Setting up your TV	7
Using your TV	12
Programming the remote control	18
Maintaining	19
Troubleshooting	19
Specifications	20
Appendix	20
Legal notices	25
Warranty	27
Français	29
Español	57

Safety information

Warning

To reduce the risk of electric shock, do not remove the cover or back. There are no user-serviceable parts inside. Refer servicing to qualified service personnel.
To reduce the risk of fire or electric shock, do not expose your TV to rain or moisture.

Caution

To prevent electric shock, match the wide blade on the power cord plug to the wide slot on an electric outlet. If the plug does not fit, consult a licensed electrician to replace the obsolete outlet. Do not modify the power cord plug, or you will defeat this safety feature.



This symbol indicates that dangerous voltage constituting a risk of electric shock is present within your TV. This label is located on the back of your TV.



This symbol indicates that there are important operating and maintenance instructions in the literature accompanying your TV.

Warning

Your TV contains tin-lead solder and a fluorescent lamp containing a small amount of mercury. Disposal of these materials may be regulated for environmental reasons. For disposal or recycling information, contact your local authorities or the Electronic Industries Alliance at www.eia.org.

Read instructions

Read all of the safety and operating instructions before you use your TV.

Retain instructions

Retain safety and operating instructions for future reference.

Follow warnings and instructions

Follow all warnings on your TV and in the operating instructions. Follow all operating and use instructions.

Water and moisture

Do not use your TV near water. For example, do not use it near a bath tub, wash bowl, kitchen sink, or laundry tub, in a wet basement, or near a swimming pool.

Cleaning

Unplug your TV before cleaning. Do not use liquid or aerosol cleaners. Use only a damp cloth to clean the exterior of your TV.

Ventilation

Slots and openings in the cabinet and the back or bottom are provided for ventilation, reliable operation, and protection from overheating. These openings must not be blocked or covered. Do not block the openings by placing your TV on a bed, sofa, rug, or other similar surface. Do not place your TV near or over a radiator or heat register. Do not place your TV in a built-in installation, such as a bookcase or rack, unless you provide correct ventilation or follow the manufacturer's instructions.

Heat

Make sure that your TV is located away from heat sources such as radiators, heat registers, stoves, or other products (including amplifiers) that produce heat.

Grounding or polarization

Do not defeat the safety purpose of the polarized or grounding-type plug. A polarized plug has two blades with one wider than the other. A grounding type plug has two blades and a grounding prong. The wide blade or grounding prong are provided for your safety. If the plug does not fit, contact an electrician to replace the obsolete outlet.

Power cord protection

Route power cords so that they are not likely to be walked on or pinched by items placed on or against them. Pay particular attention to cords at plugs, convenience receptacles, and the point where they exit from your TV.

Attachments

Do not use attachments not recommended by Insignia because they may cause hazards.

Stand

Do not place your TV on an unstable cart, stand, tripod, bracket, or table. Your TV may fall, causing serious personal injury and serious damage to your TV. Use only with a cart, stand, tripod, bracket, or table recommended by the manufacturer, or sold with your TV. If you mount your TV to the wall, follow the manufacturer's instructions and use a mounting accessory recommended by the manufacturer. Your TV and cart combination should be moved with care. Quick stops, excessive force, and uneven surfaces may cause your TV and cart combination to overturn.

Lightning

For added protection for your TV's receiver during a lightning storm, or when it is left unattended and unused for long periods of time, unplug it from the power outlet and disconnect the antenna or cable system. This helps prevent damage to your TV from lightning and power line surges.

Servicing

Do not attempt to service your TV yourself because opening or removing covers may expose you to dangerous voltage or other hazards. Refer all servicing to qualified service personnel.

Replacement parts

When replacement parts are required, make sure that the service technician uses replacement parts specified by the manufacturer that have the same characteristics as the original part. Unauthorized substitutions may result in fire, electric shock, personal injury, or other hazards.

Overloading

Do not overload power outlets and extension cords because this can result in a risk of fire or electric shock.

Object and liquid entry

Never push objects of any kind into your TV through openings because objects may touch dangerous voltage points or short out parts that could result in a fire or electric shock. Never spill liquid of any kind on your TV.

Damage requiring service

Unplug this TV from the power outlet and refer servicing to qualified service personnel under the following conditions:

- When the power supply cord or plug is damaged or frayed.
- If liquid has been spilled or objects have fallen into your TV.
- If your TV has been exposed to rain or water.
- If your TV does not operate normally by following the operating instructions. Adjust only those controls that are covered by the operating instructions because incorrect adjustment of other controls may result in damage and will often require extensive work by a qualified technician to restore your TV to its normal operation.
- If your TV has been dropped or damaged in any way.
- When your TV exhibits a distinct change in performance.

Replacement parts

When replacement parts are required, make sure that the service technician uses replacement parts specified by the manufacturer that have the same characteristics as the original part. Unauthorized substitutions may result in fire, electric shock, personal injury, or other hazards.

Safety check

After completing any service or repair to this TV, ask the service technician to perform routine safety checks to determine that your TV is in correct operating condition.

Power source

Operate your TV only from the type of power source indicated on the marking label. If you are not sure of the type of power supplied to your home, consult your TV dealer or local power company.

Screen protection

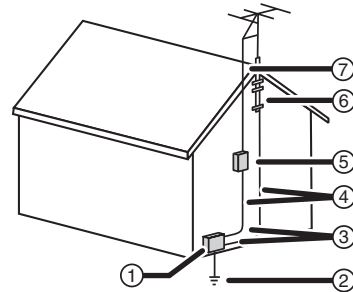
Your TV's screen is made of glass. Do not drop your TV or hit the glass screen. If the screen breaks, be careful of broken glass.

Pixel defect

Your TV's screen is designed to display finely detailed pictures. Occasionally, a few non-active pixels may appear on the screen as fixed points of blue, green, or red. This is not a defect and does not affect your TV's performance.

Outdoor antenna grounding

If an outside antenna or cable system is connected to your TV, make sure that the antenna or cable system is grounded to provide some protection against voltage surges and built-up static charges. Article 810 of the National Electrical Code, ANSI/NFPA No. 70, provides information with respect to correct grounding of the mast and supporting structure, grounding of the lead-in wire to an antenna discharge unit, size of grounding conductors, location of the antenna-discharge unit, connection to grounding electrodes, and requirements for the grounding electrode.



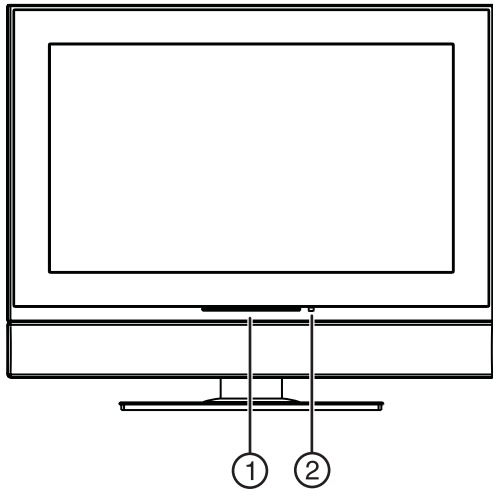
1	Electric service equipment
2	Power service grounding electrode system
3	Ground clamps
4	Grounding conductors
5	Antenna discharge unit
6	Grounding clamp
7	Antenna lead-in wire

Note to CATV system installer

This reminder is provided to call the CATV system installer's attention to Article 820-40 of the NEC that provides guidelines for correct grounding and in particular, specifies that the cable ground must be connected to the grounding system of the building as close to the point of cable entry as practical.

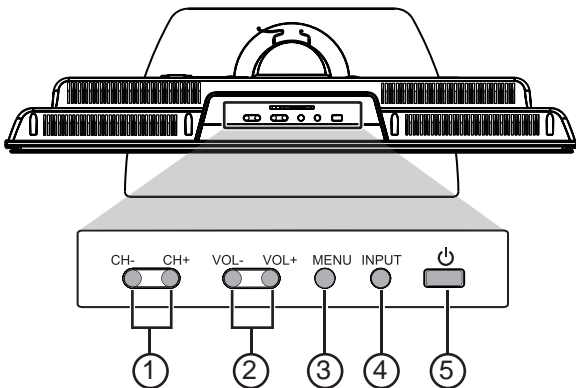
Features

Front



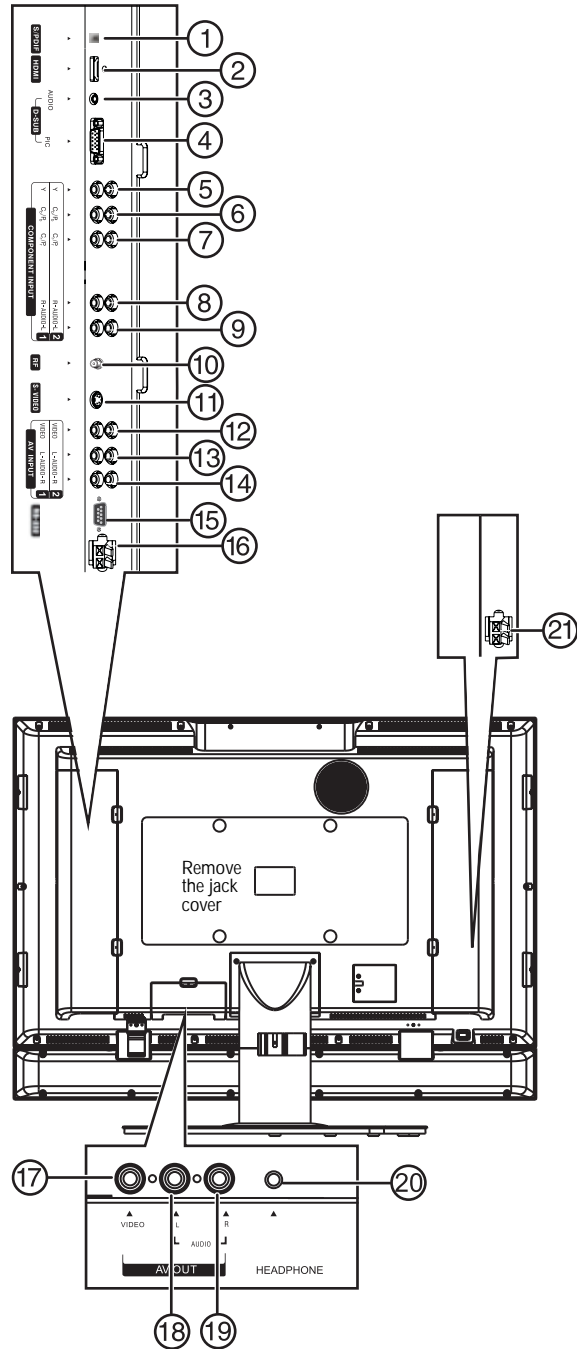
Control	Description
1	Power indicator Lights when your TV is turned on.
2	Remote sensor Receives signals from the remote control.

Top



#	Control	Description
1	CH+/CH-	Press to change the channel. In the on-screen menu, press to select menus and options.
2	VOL+/VOL-	Press to increase or decrease the volume. In the on-screen menu, press to adjust a setting or change a value.
3	MENU	Press to open the on-screen menu.
4	INPUT	Press to select the video input.
5	Power	Press to turn your TV on or off.

Side and Back



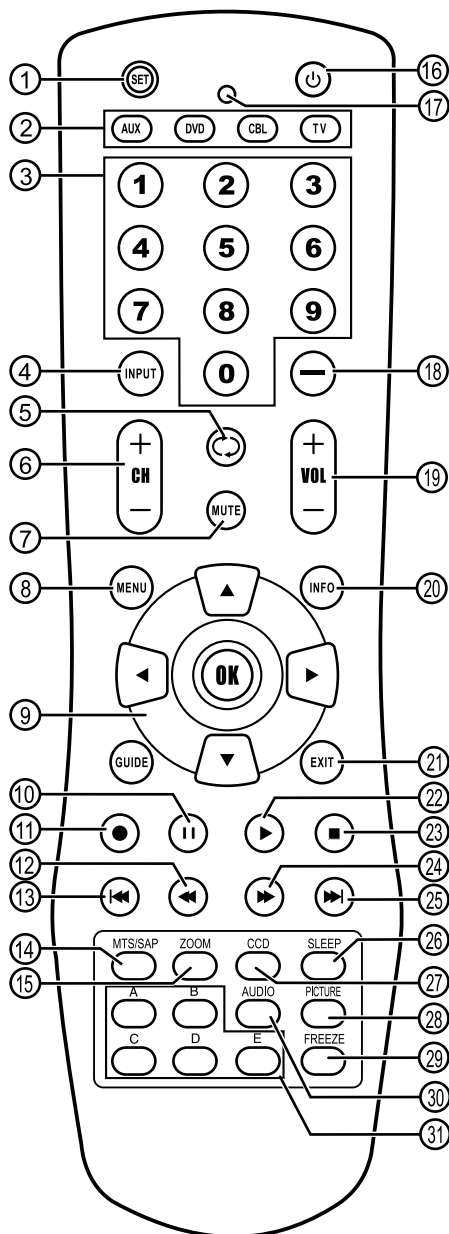
#	Jack
1	S/PDIF digital audio output (optical)
2	HDMI input
3	D-SUB AUDIO input
4	D-SUB PIC (video) input
5	COMPONENT INPUT Y
6	COMPONENT INPUT Cb/Pb
7	COMPONENT INPUT Cr/Pr
8	COMPONENT INPUT R AUDIO
9	COMPONENT INPUT L AUDIO
10	RF (antenna input)
11	S-VIDEO input

#	Jack
12	AV INPUT VIDEO
13	AV INPUT L AUDIO
14	AV INPUT R AUDIO
15	RS-232 control interface
16	Right speaker output jack
17	AV OUT VIDEO
18	AV OUT L AUDIO
19	AV OUT R AUDIO
20	HEADPHONE
21	Left speaker output jack

Remote control

Note

For instructions on programming the remote control, see "Programming the remote control" on page 18.



#	Button	Description
1	SET	Press to program the remote control. For more information, see "Programming the remote control" on page 18.
2	[Device buttons]	TV—Press to select the TV. DVD—Press to select a connected DVD player. CBL—Press to select cable or satellite TV. AUX—Press to select a device assigned to this button.
3	[Number buttons]	Press to enter channel numbers. In the on-screen menu, press to enter your parental control's password.
4	INPUT	Press to select the video input.
5	↶	Press to go to last viewed channel.
6	+ CH –	Press to change TV channels.
7	MUTE	Press to mute the sound.
8	MENU	Press to open the on-screen menu.
9	▼ ▲ ◀ ▶ OK	Press the arrows to move down, up, left, or right in the on-screen menu. Press the OK button to confirm changes or to toggle options on and off in the on-screen menu.
10	⏸	Press to pause a video tape or DVD. Press again to resume playback.*
11	●	Press to start recording a video tape or DVD.*
12	⏮	Press to fast-reverse a DVD or video tape.*
13	⏪	Press to skip to the previous chapter on a DVD.*
14	MTS/SAP	Press to select one of the preset audio modes. You can select MONO, STEREO, or SAP.
15	ZOOM	Press to select the aspect ratio.
16	[Power] ⏻	Press to turn on your TV or put it into Standby mode.
17	[LED]	Lights when you are programming the remote control. For more information, see "Programming the remote control" on page 18.
18	—	Press to select a sub-channel. For more information, see "Selecting a digital sub-channel" on page 13.
19	+ VOL –	Press to adjust the volume.
20	INFO	Press to display status information.
21	EXIT	Press to close the on-screen menu.
22	▶	Press to start DVD or CD playback if a DVD or CD player is connected.*
23	■	Press to stop DVD or CD playback if a DVD or CD player is connected.*
24	⏭	Press to fast-forward a video tape or DVD.*
25	⏩	Press to skip to the next chapter of a DVD.*
26	SLEEP	Press to set the sleep timer. For more information, see "Setting the sleep timer" on page 15.

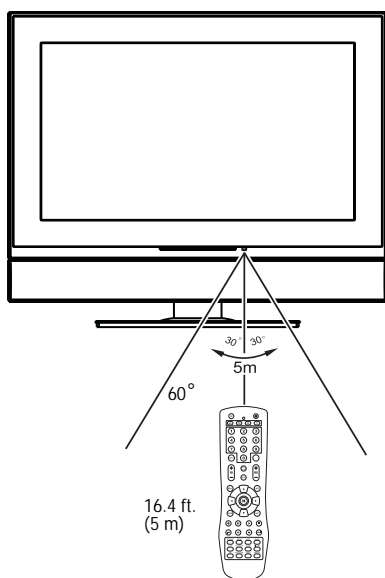
#	Button	Description
27	CCD	Press to turn closed captions on and off. For more information, see "Viewing closed captions" on page 15.
28	PICTURE	Press to select the picture mode.
29	FREEZE	Press to freeze the video image. Press again to unfreeze the image. Do not freeze the video image for long periods of time. You may damage the TV screen.
30	AUDIO	Press to select the sound mode.
31	A, B, C, D, E	These buttons do not have any function for this TV. They may, however, be used with other devices when this remote is used as a universal remote control. The exact function depends on the specific device being controlled.

* For the remote to control your VCR or DVD player, the remote control must be programmed to operate it. For more information, see "Programming the remote control" on page 18.

Using the remote control

To use the remote control:

- Point the remote control towards the remote sensor on the front of your TV.



Notes

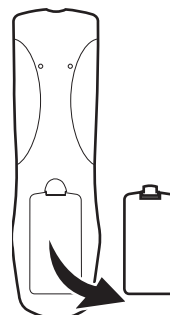
- Do not expose the remote control to shock or liquids.
- Do not use the remote control in an area with high humidity.
- Do not place the remote control in direct sunlight.
- Do not place objects, such as furniture, between the remote control and the remote sensor.
- The remote control may not work if direct sunlight or bright light shines on the remote sensor. Either move your TV or change the angle at which you use the remote control.

Setting up your TV

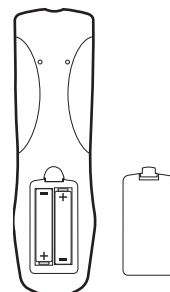
Installing remote control batteries

To install the remote control batteries:

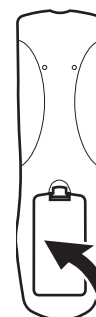
- 1 Remove the battery cover.



- 2 Insert two AA batteries into the battery compartment. Make sure that you match the + and - symbols on the batteries with the + and - symbols in the battery compartment.



- 3 Replace the cover.



Notes

- Do not mix batteries of different types.
- Do not mix old and new batteries.
- Remove batteries when the charge is depleted.
- Battery chemicals can cause a rash. If the batteries leak, clean the battery compartment with a cloth. If chemicals touch your skin, wash immediately.
- If the remote control is not going to be used for an extended period of time, remove the batteries.

Connecting your TV to a power outlet

To connect your TV to a power outlet:

- Plug the power cord into a power outlet.

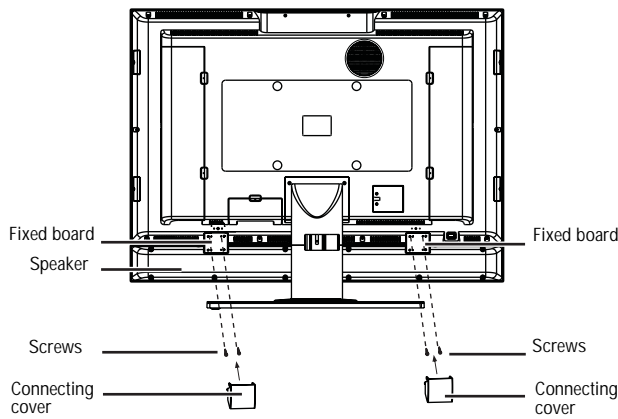
Notes

- Make sure that you use the correct type of power. See the label on your TV.
- If you do not intend to use your TV for an extended period of time, unplug the power cord from the power outlet.

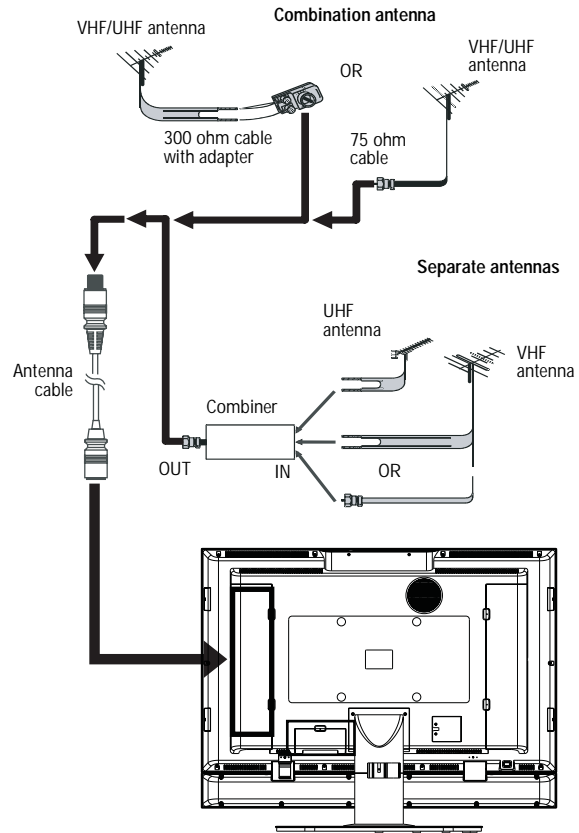
Attaching and connecting the speaker

To attach and connect the speaker to your TV:

- 1 Unplug the TV power cord and all devices connected to your TV.
- 2 Attach the speaker and fixed board to the TV with the screws (supplied) and tighten securely.
- 3 Install the two connecting covers on the fixed boards.
- 4 Connect the speakers to the speaker jacks on the sides of your TV. Make sure that you connect the speaker audio cables to the speaker output jacks matching the + and - polarity of the speakers by color.

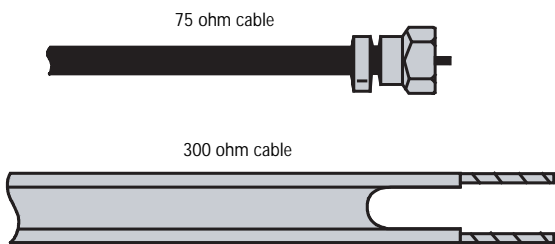


Use the following illustration to connect an outside antenna:



Connecting an outside antenna

Antenna cables come in two types: 75 ohm and 300 ohm.



- If your antenna cable has a 75 ohm connector, connect the cable to the coaxial jack on the back of your TV.
- If your antenna cable has a 300 ohm connector, connect the cable to a 300-75 ohm adapter (not included), connect the adapter to a 75 ohm cable, then connect the other end of the 75 ohm connector to the coaxial jack on the back of your TV.

Connecting cable TV

Your TV has a 75 ohm jack for connecting cable TV.

Some cable TV providers scramble the signals for "premium" (pay) channels. To view these channels, you need a converter/descrambler box.

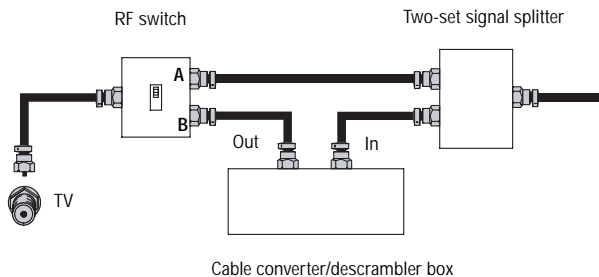
If you do not have a converter/descrambler box, you can connect your cable TV directly to your TV. If you have a converter/descrambler box, you can connect your cable TV using an RF switch (not supplied). For more information about connecting a converter/descrambler box, contact your cable TV provider.

To connect cable TV without a converter/descrambler box:

- 1 Connect one end of a 75 ohm cable to the coaxial jack on the back of your TV.
- 2 Connect the other end of the cable to the cable TV wall outlet.

To connect cable TV with a converter/descrambler box:

- Use the following illustration to connect a converter/descrambler box. (The RF switch and the signal splitter are not provided.)
- Set the RF switch to the A position to watch unscrambled channels using your TV remote control. Set the RF switch to the B position to watch scrambled channels using the converter/descrambler controls.



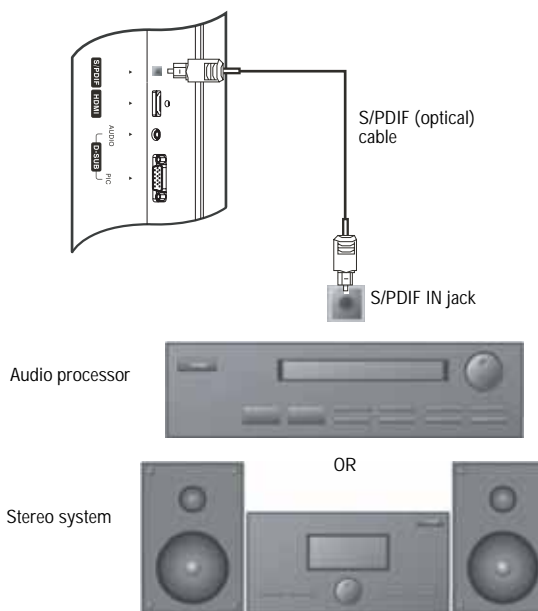
Connecting a sound system

To connect to a sound system:

- Plug the S/PDIF optical cable into the S/PDIF jack on the back of your TV.
- Plug the other end of the S/PDIF cable into the S/PDIF in jack on the sound system.

Warning
Make sure that you turn off and unplug your TV before installing devices.

Note
For home theater systems, use an S/PDIF (optical) cable to achieve full sound capabilities.



Connecting a VCR

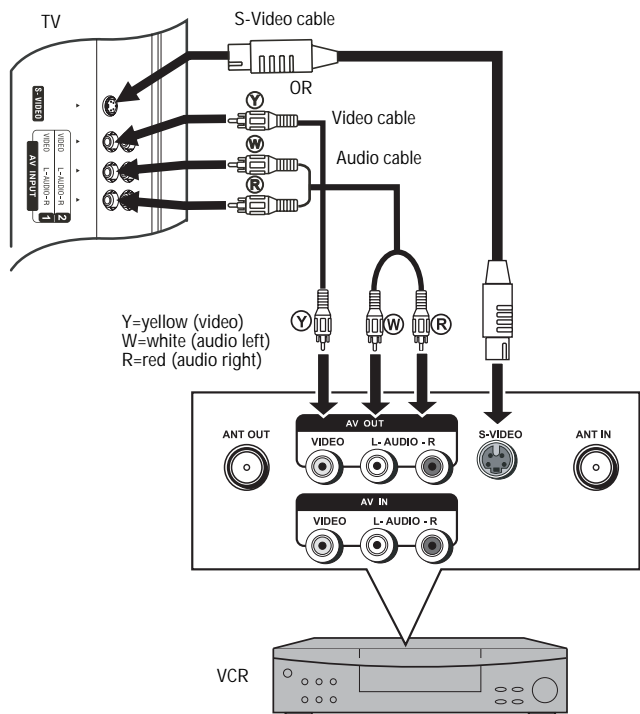
You can connect a VCR with a standard audio/video cable or with a S-Video cable. The S-Video cable does not carry sound. If you use an S-Video cable, you need to use audio cables to connect the audio output.

Warning
Make sure that you turn off and unplug your TV before installing devices.

Note
For better video, use the S-Video jack if your VCR has an S-Video connection.

To connect a VCR and play a videotape:

- Plug the audio/video cable into the AUDIO L, AUDIO R, and VIDEO in jacks on the back of your TV.
 - Plug the other end of the audio/video cable into the audio and video out jacks on the VCR.
- OR -
- Plug in the audio cables as described above, then plug one end of an S-Video cable into the S-Video jack on the back of your TV and the other end into the S-Video jack on the VCR.
- Turn on your TV.
 - Press the **INPUT** button repeatedly to select **Composite1** (or **S-Video** if you connected the VCR to the S-Video jack).
 - Turn on your VCR.
 - Insert a videotape, then press the **PLAY** button.

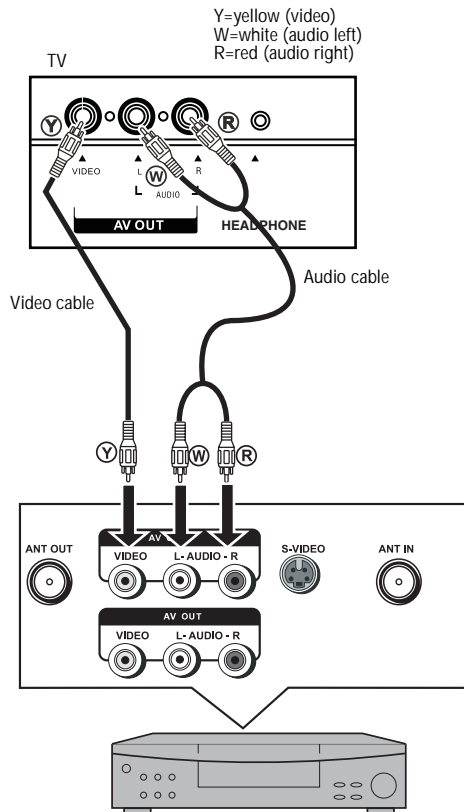


Connecting a VCR (for recording)

Warning
Make sure that you turn off and unplug your TV before installing devices.

To connect and record a program on a VCR:

- 1 Plug the audio/video cable into the AUDIO L, AUDIO R, and VIDEO jacks on the back of your TV.
- 2 Plug the other end of the audio/video cable into the audio and video in jacks on the VCR.
- 3 Turn on your TV.
- 4 Select a program you want to record.
- 5 Turn on the VCR.
- 6 Insert a videotape, then press the record button on the VCR.

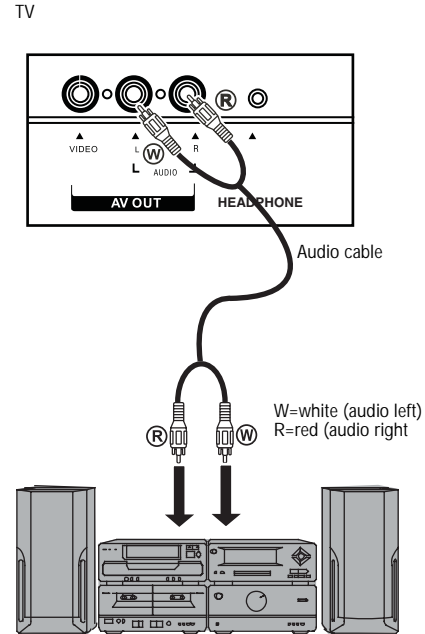


Connecting an amplifier

Warning
Make sure that you turn off and unplug your TV before installing devices.

To connect to an amplifier:

- 1 Plug the audio cables into the AUDIO L and AUDIO R jacks on the back of your TV.
- 2 Plug the other end of the audio cables into the audio and video in jacks on the amplifier.



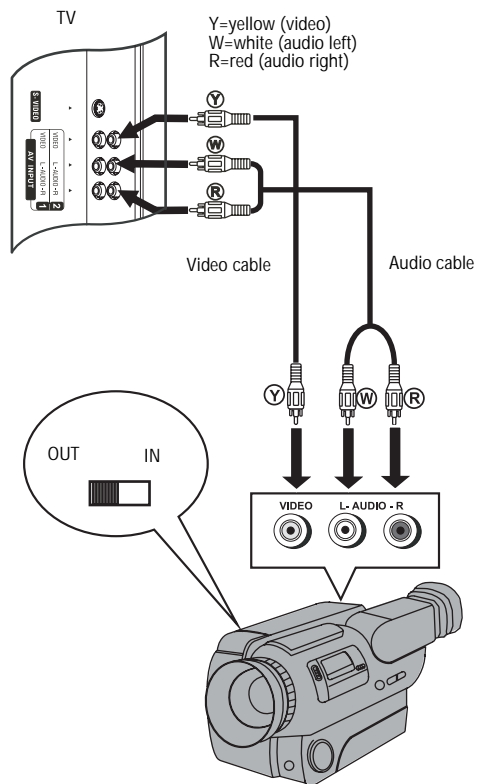
Connecting a camcorder

Warning

Make sure that you turn off and unplug your TV before installing devices.

To connect and play video from a camcorder:

- 1 Plug the audio/video cable into the AUDIO L, AUDIO R, and VIDEO jacks on the back of your TV.
- 2 Plug the other end of the audio/video cable into the audio and video out jacks on the camcorder.
- 3 Turn on your TV.
- 4 Press the **INPUT** button repeatedly to select **Composite 2**.
- 5 Turn on the camcorder, then set it to output mode. See your camcorder documentation for more information.
- 6 Insert a tape into the camcorder, then press the **Play** button on the camcorder.



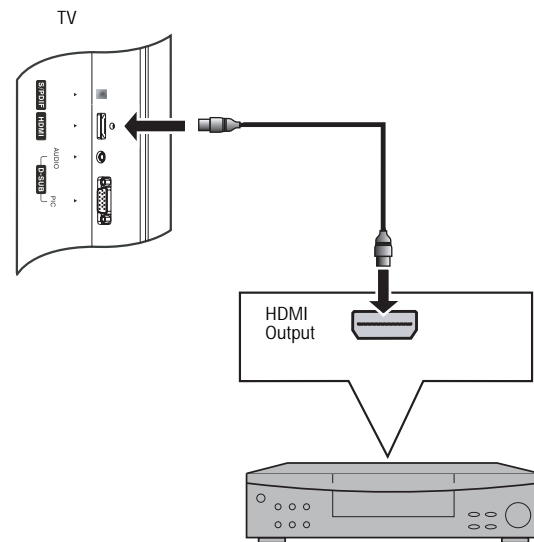
Connecting a DVD player

Warning

Make sure that you turn off and unplug your TV before installing devices.

To connect a DVD player and play a DVD:

- 1 Plug the HDMI cable into the HDMI jack on the back of your TV and to the HDMI Output jack on the back of the DVD player.
- 2 Turn on your TV.
- 3 Press the **INPUT** button repeatedly to select **HDMI**.
- 4 Turn on the DVD player.
- 5 Insert a DVD, then press the **Play** button on the DVD player.



Note

If the DVD player has DVI output only, use a DVI-to-HDMI adapter cable (not supplied) to connect the DVD player to the HDMI jack on the back of your TV. Then connect the audio cable to the D-SUB AUDIO IN jack on the back of your TV.

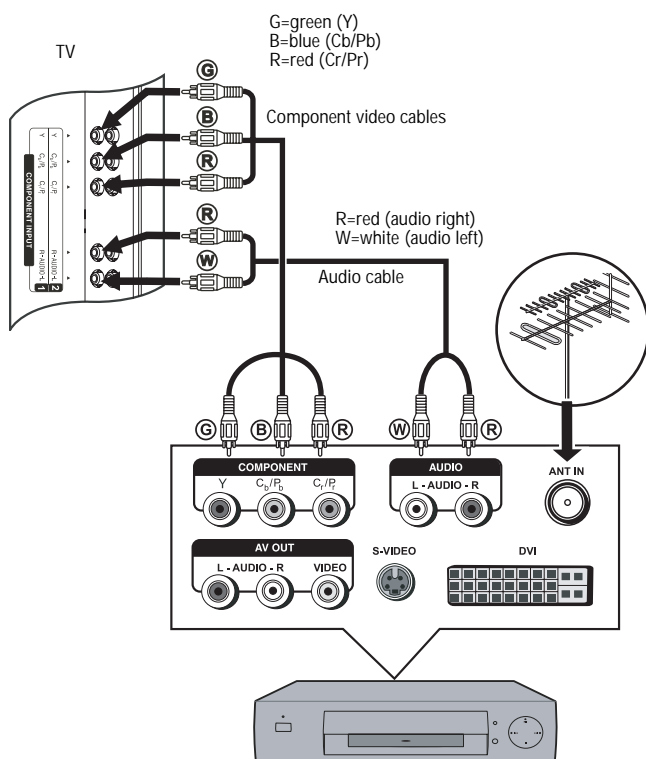
Connecting a DTV receiver

Warning

Make sure that you turn off and unplug your TV before installing devices.

To connect a DTV receiver and watch DTV:

- 1 Plug the audio cables into the AUDIO L and AUDIO R jacks on the back of your TV.
- 2 Plug the other end of the audio cables into the audio out jacks on the DTV receiver.
- 3 Plug the component video cables into the Component in jacks on the back of your TV.
- 4 Plug the other end of the component video cables into the Component jacks on the DTV receiver.
- 5 Turn on your TV.
- 6 Press the **INPUT** button repeatedly to select **Component1**.
- 7 Turn on your DTV receiver.



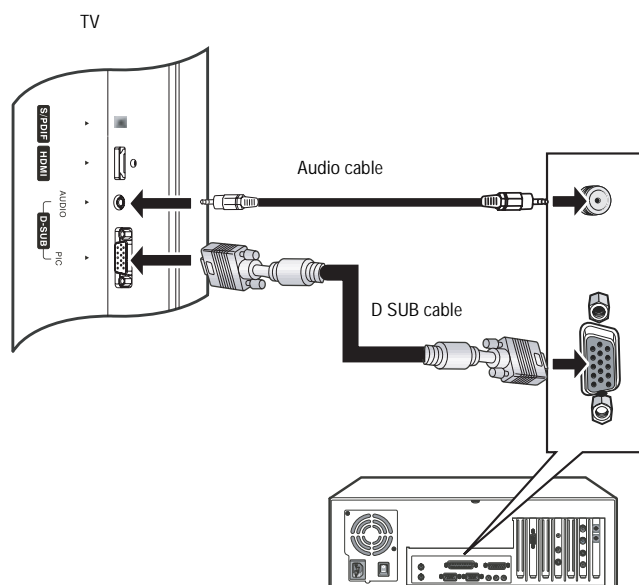
Connecting a computer

Warning

Make sure that you turn off and unplug your TV before installing devices.

To connect and watch video from a computer:



- 1 Plug the audio cable into the D SUB audio input jack on the back of your TV.
- 2 Plug the other end of the audio cable into the audio out jacks on the computer.
- 3 Plug the D SUB cable into the PIC input jack on the back of your TV.
- 4 Plug the other end of the D SUB cable into D SUB jack on your computer.
- 5 Turn on your TV.
- 6 Press the **INPUT** button repeatedly to select **VGA**.
- 7 Turn on your computer, then set up your computer for external VGA input. See your computer documentation for more information.



Using your TV




Turning your TV on and off

To turn your TV on and off:

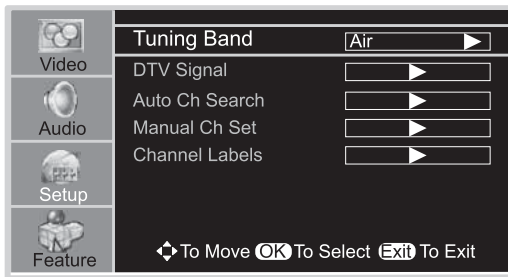
- 1 Make sure that the power cord is connected to your TV and a power outlet.
- 2 Press the  button to turn on your TV.
- 3 Press the  button again to turn off your TV.

Selecting the TV source

To select the TV source:

- 1 Press the **MENU** button.
- 2 Press the  or  button repeatedly to highlight **Setup**, then press the **OK** or  button to open the *Setup* menu.

- Press the **▼** or **▲** button repeatedly to highlight **Tuning Band**, then press the **OK** or **▶** button to access the tuning band options.



- Select **Air** for an outside antenna, or select **Cable**, **Cable HRC**, **Cable IRC**, or **Cable Auto** for cable TV. We recommend that you select **Cable Auto** for cable TV. For more information about cable TV selections, contact your cable TV provider.
- Press the **EXIT** button to close the on-screen menu.

Setting up the channel list

After you select your TV source (antenna or cable), you need to set up the channel list. When you set up your channel list, your TV searches for all available channels in your area and stores a list of the channels. When you press the **CH –** or **+** button, your TV skips the channels that do not have a signal.

Automatically setting up channels

To automatically set up the channel list:

- Press the **MENU** button.
- Press the **▼** or **▲** button repeatedly to highlight **Setup**, then press the **OK** or **▶** button to open the *Setup* menu.
- Press the **▼** or **▲** button repeatedly to highlight **Auto Ch Search**.



- Press the **OK** or **▶** button to start the search.

Note

You can press the **Exit** button to stop the search.

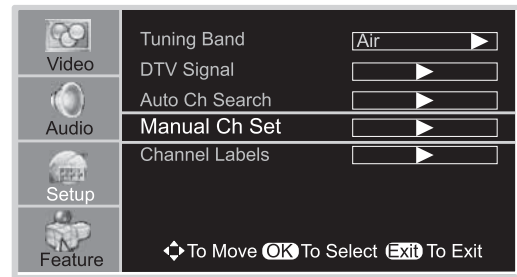
Manually adding or deleting channels from the channel list

After you create a channel list using the Auto Ch Search option, you can manually add or delete channels from the channel list.

To add or delete channels:

- Press the **MENU** button.
- Press the **▼** or **▲** button repeatedly to highlight **Setup**, then press the **OK** or **▶** button to open the *Setup* menu.

- Press the **▼** or **▲** button repeatedly to highlight **Manual Ch Set**, then press the **OK** or **▶** button to access the Manual Ch Set options.



- Press the **▼** or **▲** button to select a channel, then press the **OK** button to add or delete a channel.
- Press the **EXIT** button to close the menu.

Changing channels

To change channels:

- Press the **CH –** or **+** button on the remote control to go to the next lower or higher channel.

Or

Press the number buttons to select a channel (for example, if you want channel 83, press **8**, then press **3**).

Or

Press the **↶** button to go to the last viewed channel.

Selecting a digital sub-channel

Most digital TV channels have more than one channel. The main channel carries the signal for the main TV program. The sub-channels carry signals for additional or alternate programming, such as a radio or news broadcast.

For example, if the main channel number is 8, the sub-channel number might be 8-1, 8-2, or 8-3.

To select a sub-channel:

- Press the number buttons for the main channel (for example 8).
- Press the **–** button, then press the sub-channel button (for example 1).

Adjusting the volume

To adjust the volume:

- Press the **VOL –** or **+** button to decrease or increase the volume.
- Press the **MUTE** button to turn off the sound. Press the **MUTE** button again to turn the sound back on.

Displaying status information

To display status information:

- Press the **INFO** button. Your TV displays status information, such as the channel number or signal source.

Selecting the video input source

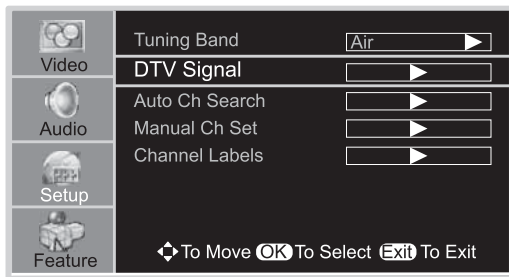
To select the video input source:

- Press the **INPUT** button repeatedly to select the video source. You can select:
 - **TV**—TV signal
 - **Composite1**—AV INPUT1 jacks
 - **Composite2**—AV INPUT2 jacks
 - **Component1**—COMPONENT INPUT1 jacks
 - **Component2**—COMPONENT INPUT2 jacks
 - **VGA**—D-SUB jack (computer)
 - **HDMI**—HDMI jack
 - **S-Video**—S-Video jack

Checking the DTV signal strength

To check the DTV signal strength:

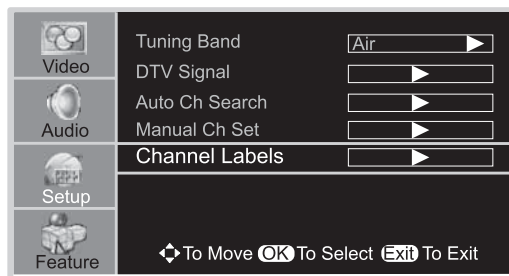
- 1 Press the **MENU** button.
- 2 Press the **▼** or **▲** button repeatedly to highlight **Setup**, then press the **OK** or **▶** button to open the *Setup* menu.
- 3 Press the **▼** or **▲** button repeatedly to highlight **DTV Signal**, then press the **OK** or **▶** button. Your TV displays the DTV signal strength.



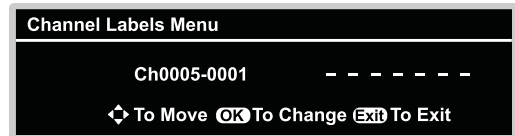
Adding a channel label

To add a label to a channel:

- 1 Press the **MENU** button.
- 2 Press the **▼** or **▲** button repeatedly to highlight **Setup**, then press the **OK** or **▶** button to open the *Setup* menu.
- 3 Press the **▼** or **▲** button repeatedly to highlight **Channel Labels**, then press the **OK** or **▶** button to open the *Channel Labels* menu.



- 4 Press the **◀** or **▶** button to move the cursor. Press the **▼** or **▲** button select a channel number or character.



- 5 Press the **OK** button to return to the previous menu, or press the **EXIT** button to close the menu system.

Freezing the picture

You can freeze (still) the screen image.

Caution
To protect your TV, do not freeze the screen image for long periods of time.

To freeze or unfreeze the picture:

- Press the **FREEZE** button.

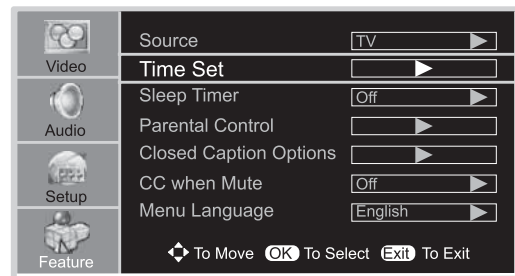
Setting the clock

You can automatically set the clock from a digital channel signal. Your TV searches for a digital channel that has time information encoded. If the clock is not correct after you automatically set it, you can manually set the clock.

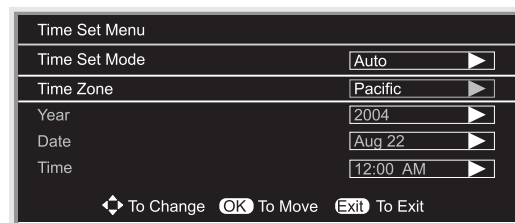
Automatically setting the clock

To automatically set the clock:

- 1 Press the **MENU** button.
- 2 Press the **▼** or **▲** button repeatedly to highlight **Feature**, then press the **OK** or **▶** button to open the *Feature* menu.
- 3 Press the **▼** or **▲** button repeatedly to highlight **Time Set**, then press the **OK** or **▶** button to open the *Time Set* menu.



- 4 Press the **▼** or **▲** button repeatedly to highlight **Time Set Mode**, then press the **OK** or **▶** button to select **Auto**.

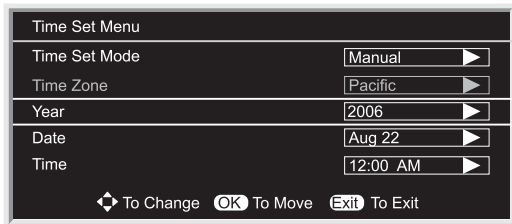


- 5 Press the **▼** or **▲** button repeatedly to highlight **Time Zone**, then press the **OK** or **▶** button to select a time zone: **Pacific**, **Alaska**, **Hawaii**, **Eastern**, **Central**, or **Mountain**.
- 6 Press the **EXIT** button to close the on-screen menu.

Manually setting the clock

To manually set the clock:

- 1 Press the **MENU** button.
- 2 Press the **▼** or **▲** button repeatedly to highlight **Feature**, then press the **OK** or **▶** button to open the *Feature* menu.
- 3 Press the **▼** or **▲** button repeatedly to highlight **Time Set**, then press the **OK** or **▶** button to open the *Time Set* menu.
- 4 Press the **▼** or **▲** button repeatedly to highlight **Time Set Mode**, then press the **OK** or **▶** button to select **Manual**.



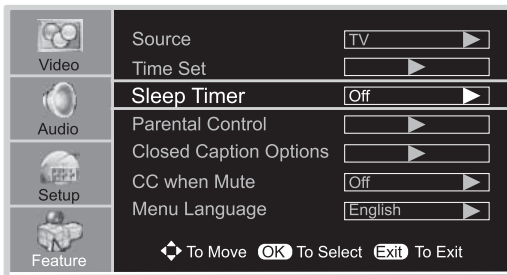
- 5 Press the **▼** or **▲** button to select **Year**, **Date**, or **Time**, then press the **OK**, **◀**, or **▶** button to set the year, date, or time.
- 6 Press the **EXIT** button to close the on-screen menu.

Setting the sleep timer

The sleep timer lets you select the amount of time before your TV turns off automatically.

To set the sleep timer:

- 1 Press the **MENU** button.
- 2 Press the **▼** or **▲** button repeatedly to highlight **Feature**, then press the **OK** or **▶** button to open the *Feature* menu.



- 3 Press the **▼** or **▲** button repeatedly to highlight **Sleep Timer**, then press **OK** or **▶** button to select the amount of time. To turn off the timer, select **Off**.

Note
You can also press the **SLEEP** button to set the sleep timer.

Viewing closed captions

You can view closed captions in two modes: **CAPTION** and **TEXT**. Each mode has four channels. **CAPTION** mode shows dialogue and commentaries for TV programs while providing a clear picture of the program. **TEXT** mode shows information not related to the program, such as TV program schedules and weather forecasts. In **TEXT** mode, part of picture may be covered by the text.

Note

For digital broadcast systems, you can press the **CCD** button on the remote control to select the closed caption mode.

To customize digital closed captions, use the *Closed Caption Options* sub-menu in the *Feature* menu.

To view closed captions:

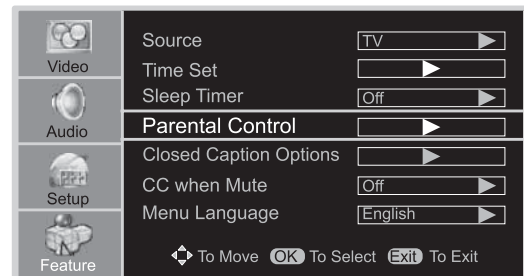
- Press the **CCD** button repeatedly to select a closed caption mode. You can select:
 - **CC1**
 - **CC2**
 - **CC3**
 - **CC4**
 - **TEXT1**
 - **TEXT2**
 - **TEXT3**
 - **TEXT4**
 - **Off**

Setting parental controls

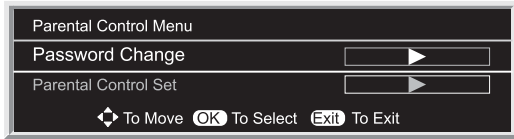
Your TV has a V-chip that lets you control the type of programs your children can watch. Parental controls include two ratings: **MPAA** (based on age) and **TV Parental Guidelines** (based on content and age). A TV program may have an **MPAA** or **TV Parental Guidelines** rating, so you should set controls for both ratings. Before you can select ratings, you need to set up a parental controls password.

To set up a password:

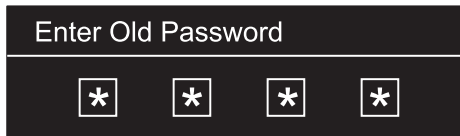
- 1 Press the **MENU** button.
- 2 Press the **▼** or **▲** button repeatedly to highlight **Feature**, then press the **OK** or **▶** button to open the *Feature* menu.
- 3 Press the **▼** or **▲** button repeatedly to highlight **Parental Control**, then press the **OK** or **▶** button to open the *Parental Control* menu.



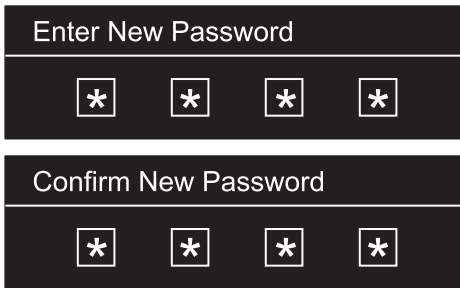
- Press the **▼** or **▲** button repeatedly to highlight **Password Change**, then press the **OK** or **▶** button to access the Password Change option.



- Press the number buttons to enter the old password. If you have not set a password, enter 0000.



- Press the number buttons to enter a new password, then enter the new password again to confirm.



Caution
 Write down your password and save it for future use.

Note
 If you forget your password, enter 1397 for the old password, then enter a new password. This password always remains valid for resetting your password.

MPAA ratings

Rating	Description
NONE	Not rated.
G	General audiences.
PG	Parental guidance suggested. Some material may not be suitable for children.
PG-13	Parental guidance strongly suggested. Some material may not be suitable for children under 13 years of age.
R	Restricted. Not suitable for children under 17 years of age unless accompanied by a parent or guardian.
NC-17	Not suitable for children under 17 years of age.
X	Adults only.

TV Parental Guidelines ratings

Rating	Description
NONE	Not rated.
TV-Y	All children.
TV-Y7	Children over seven years of age.
TV-G	General audiences.
TV-PG	Parental guidance suggested.
TV-14	Parents strongly cautioned.
TV-MA	Mature audiences only.

Some of the age-based TV Parental Guidelines ratings also have content-based ratings.

Rating	Description
FV	Fantasy violence.
L	Adult language.
S	Sexual situations.
V	Violence.
D	Sexually suggestive dialog.

To set the ratings:

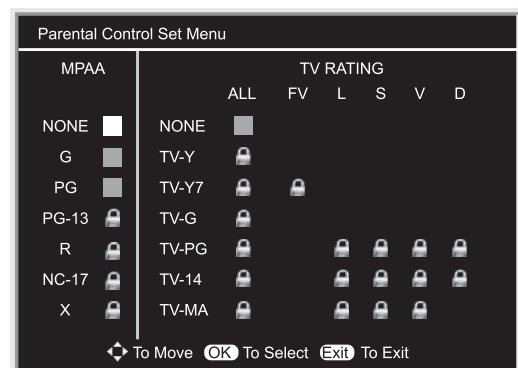
- Press the **MENU** button.
- Press the **▼** or **▲** button repeatedly to highlight **Feature**, then press the **OK** or **▶** button to open the *Feature* menu.
- Press the **▼** or **▲** button repeatedly to highlight **Parental Control**, then press the **OK** or **▶** button to open the *Parental Control* menu.
- Press the **▼** or **▲** button repeatedly to highlight **Parental Control Set**, then press the **OK** or **▶** button to access the rating feature.



- Enter the password.

Note
 For default passwords, see "To set up a password:" on page 15.

- Press the **▼** **▲** **◀** or **▶** button to select a rating, then press the **OK** button to block or unblock the rating.



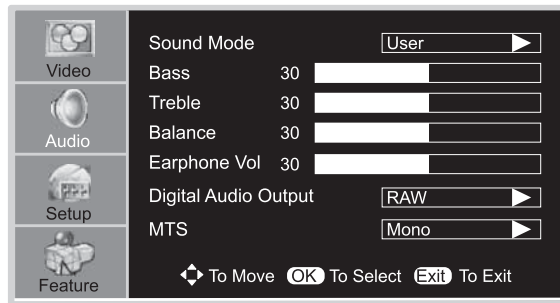
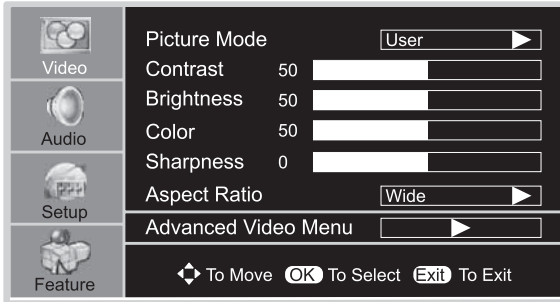
When you block a rating, that rating and all higher ratings are blocked.

Using the on-screen menu

Your TV has an on-screen menu that lets you adjust TV settings, such as video and audio settings.

To use the on-screen menu:

- 1 Press the **MENU** button.
- 2 Press the **▼** or **▲** button repeatedly to select a menu.
- 3 Press the **▼ ▲ ◀ ▶** button to navigate to an option or adjust an option.



- 4 Press the **OK** or **▶** button to confirm an adjustment, open a sub-menu, or toggle a setting.
- 5 Press the **MENU** button to return to a previous menu or press the **EXIT** button to close the on-screen menu.

On-screen menus

On-screen menu	Options
Video (Options may vary in different modes.)	<p>Picture Mode—Selects the picture mode: User, Nature, Soft, or Bright. You can also press the PICTURE button to select the picture mode.</p> <p>Contrast—Increases the picture level to adjust the white areas of the picture. Decreases the picture level to adjust the black areas of the picture.</p> <p>Brightness—Increases the brightness to add more light to dark areas of the picture. Decreases the brightness to add more dark to light areas of the picture.</p> <p>Color—Adjusts the overall color of the picture.</p> <p>Sharpness—Increases the sharpness level to show cleaner and clearer images. Decreases the level to show a smoother picture.</p> <p>Aspect Ratio—Selects the screen aspect ratio: Wide, Cinema, Normal, or Zoom. You can also press the ZOOM button to select the aspect ratio.</p> <p>Advanced Video Menu—Provides access to advanced features:</p> <ul style="list-style-type: none"> • Noise Reduction—Reduces picture noise (snow). • Tint—Increases the color level to add more green to skin tones. Decreases the color level to add more purple to skin tones. • Color Temperature—Selects one of three automatic color adjustments: Cool for more blue, Warm for more red, and Normal. • 3D Y/C—Turns the 3D comb filter on or off. <p>VGA Set/Component Set—If your TV is connected to a computer or to component video, adjusts the following options:</p> <ul style="list-style-type: none"> • H-Pos—Adjusts the horizontal position of the image. • V-Pos—Adjusts the vertical position of the image. • Clock—Adjusts the sample frequency. • Phase—Improves the focus of a stable image. • Setting—Resets VGA mode to the factory defaults.
Audio (Options may vary in different modes.)	<p>Sound Mode—Selects the sound mode: User, News, Music, or Movie. You can also press the AUDIO button to select the sound mode.</p> <p>Bass—Adjusts the low sounds (bass).</p> <p>Treble—Adjusts the high sounds (treble).</p> <p>Balance—Adjusts the right and left speaker volumes.</p> <p>Earphone Vol—Adjust the earphone volume.</p> <p>Digital Audio Output—Selects the audio mode for the S/PDIF jack.</p> <ul style="list-style-type: none"> • RAW: AC-3 in - AC-3 out/PCM in- PCM out. • PCM (<i>Pulse Code Modulation</i>): AC-3 in - PCM out/PCM in - PCM out. <p>MTS—Selects the multi-channel TV sound (MTS): Mono, Stereo, or SAP (second audio program). You can also press the MTS/SAP button to select the MTS mode.</p> <p>Audio Language—Selects an alternate language if the program has more than one language.</p>

On-screen menu	Options
Setup	<p>Tuning Band—Selects the TV signal source. For more information, see “Selecting the TV source” on page 12.</p> <p>DTV Signal—Displays the digital TV signal strength. For more information, see “Checking the DTV signal strength” on page 14.</p> <p>Auto Ch Search—Automatically sets up a list of the channels available in your area. For more information, see “Automatically setting up channels” on page 13.</p> <p>Manual Ch Set—Lets you add or delete channels from the channel list. For more information, see “Manually adding or deleting channels from the channel list” on page 13.</p> <p>Channel Labels—Lets you add a label to a channel. For more information, see “Adding a channel label” on page 14.</p>
Feature	<p>Source—Selects the video source. You can select:</p> <ul style="list-style-type: none"> • TV • Composite1 • Composite2 • Component1 • Component2 • VGA • HDMI • S-Video <p>You can also press the INPUT button to select the video source.</p> <p>Time Set—Sets the clock. For more information, see “Setting the clock” on page 14.</p> <p>Sleep Timer—Sets the sleep timer. For more information, see “Setting the sleep timer” on page 15.</p> <p>Parental Control—Accesses V-chip controls. For more information, see “Setting parental controls” on page 15.</p> <p>Closed Caption Options—Customizes closed captions for digital broadcasting systems. You can adjust Size, Font, Text Color, Text Opacity, Background Color, Background Opacity, Edge Effect, and Edge Color.</p> <p>CC when Mute—Automatically displays closed captions when the volume is muted.</p> <p>Menu Language—Selects the language for the on-screen menu. You can select English, French, or Spanish.</p>

- 5 Enter the first five-digit code for your device. The LED blinks once as each digit is entered. If the code is correct, the LED blinks twice.

Note
If the LED does not blink twice, repeat Steps 3 through 5 using a different code.

- 6 Aim the remote at the device, then press the **⏻** button. The device should turn off.

Note
If the device does not turn off, repeat Steps 4 through 6 using a different code. If you cannot find a code that works, see “Searching for a code” on page 18.

- 7 Repeat Steps 1 through 6 to program additional devices.

- 8 Press the **SET** button to save the code and exit.

Note
For future reference, write down each working code.

Searching for a code

To search for a code:

- 1 Press a device key.
- 2 Press and hold the **SET** button until the LED blinks twice, then release the button.
- 3 Enter **991**, then the device group number (0=cable, 1=TV, 2=VCR, 3=audio). The LED blinks twice.
- 4 Aim the remote control at the device, then press the **⏻** button. If the device responds, go to Step 7.
- 5 If the device does not respond, press the **CH+** button. Your remote control will try the next code. Keep pressing the **CH+** button until the device responds. You can press the **CH-** button to try a previous code.
- 6 To search for a code for another device, repeat Steps 1 through 5.
- 7 Press the **SET** button to save the code and exit.

Checking the code

If you programmed a device by searching for a code, you may want to know what four-digit code the remote is using.

To check the code:

- 1 Press the device button on the remote control.
- 2 Press and hold the **SET** button until the LED blinks twice, then release the button.
- 3 Enter **990**. The LED blinks twice.
- 4 Press **1** and count the LED blinks. This is the first digit of the code (for example, if the LED blinks twice, the first digit is 2. If the LED does not blink, the first digit is 0).
- 5 Repeat Step 4 using **2** for the second digit, **3** for the third digit, **4** for the fourth digit, and **5** for the fifth digit.
- 6 Press the **SET** button to exit.

Programming the remote control

Programming a device connected to your TV

The remote control can control four devices, such as a VCR, DVD player, cable or satellite receiver, amplifier or tuner, or similar device.

To program the remote control:

- 1 Find the code for the device you want to program. See “Appendix” on page 20 for a list of codes. If there is more than one code listed for a device, write down all of the codes.
- 2 Turn on the device you want to program, and load media if required (for example, a DVD).
- 3 Press a device key on the remote control (for example, **DVD**, **CBL**, or **AUX**).
- 4 Press and hold the **SET** button on the remote control until the LED blinks twice, then release the button.

Programming the volume lock

The remote control comes preset to let you control the volume of each connected device. You can change the volume lock so that one device's volume controls the volume in all modes.

After you lock the volume control, you can unlock the volume control for a specific device so you can control the volume for that device independently.

To lock the volume control to one device:

- 1 Press and hold the **SET** button until the LED blinks twice, then release the button.
- 2 Enter **993**, then press the device button for the device you want to control the volume. The LED blinks twice. When you press the **VOL+**, **VOL-**, or **MUTE** button on the remote control, the device you selected controls the volume regardless of which device you are using.

To unlock the volume control:

- 1 Press and hold the **SET** button until the LED blinks twice, then release the button.
- 2 Enter **993**, then press the **VOL+** button. The LED blinks four times. The volume control is unlocked.

To unlock a single device's volume control:

- 1 Press the device key.
- 2 Press and hold the **SET** button until the LED blinks twice, then release the button.
- 3 Enter **993**, then press the **VOL-** button. The LED blinks four times. The volume control for the device you selected is unlocked.

Maintaining

- Do not use your TV in areas that are too hot or too cold, because the cabinet may warp or the screen may malfunction.
 - Storage temperatures are 32° to 122°F (0° to 50°C).
 - Working temperatures are 41° to 104°F (5° to 40°C).
- Do not place your TV in direct sunlight or near a heat source.

Cleaning your TV

Clean the screen and cabinet with a soft, lint-free cloth. If the screen or cabinet is especially dirty, moisten a soft, lint-free cloth in a weak detergent solution, squeeze the excess moisture from the cloth, then wipe the screen or cabinet with the cloth. Use a clean cloth to dry the screen or cabinet.

Caution

Avoid the following, because it may cause damage to your TV:

- Cleaning your TV with volatile substances, such as insect sprays, solvents, and thinners.
- Leaving items made from rubber or PVC in contact with your TV for long periods.
- Letting liquids drip into the cabinet

Troubleshooting

Warning

Do not try to repair your TV yourself. Refer all service to a qualified service technician.

Symptom	Possible solution
No power	<ul style="list-style-type: none"> • Make sure that the power cord is connected to your TV and a power outlet. • Unplug the power cord, wait 60 seconds, then plug the cord back in and turn on your TV.
No picture	<ul style="list-style-type: none"> • Make sure that the video cables are connected securely to the back of your TV. • Adjust the contrast and brightness. • Make sure that the correct video mode is selected. • Make sure that the incoming signal is compatible.
Good picture but no sound	<ul style="list-style-type: none"> • Increase the volume. • Make sure that the sound is not muted. • Make sure that the correct audio mode is selected.
Good sound but poor color	<ul style="list-style-type: none"> • Adjust the contrast, color, and brightness settings.
Poor picture	<ul style="list-style-type: none"> • Make sure that the room is not too bright. Light reflecting off the screen can make the picture difficult to see. • If an S-VHS camera or a camcorder is connected while another connected device is turned on, the picture may be poor. Turn off one or more devices.
Horizontal dotted line	<ul style="list-style-type: none"> • Your TV may be too close to another electrical device, such as a hair dryer or neon light. Turn off the device or move your TV.
Remote control does not work	<ul style="list-style-type: none"> • Press the TV button. • Replace the batteries. Make sure that the + and - symbols on the batteries align with the + and - symbols in the battery compartment. • Clean the remote sensor on the front of your TV. • Bright or fluorescent lighting may interfere with the remote control signal. Turn off the light or move your TV.
Snowy picture or noise	<ul style="list-style-type: none"> • Make sure that the A/V cables are connected correctly and securely.
VGA picture is not stable or synchronized	<ul style="list-style-type: none"> • Make sure that you have selected the correct VGA mode on your computer.
No output from one of the speakers	<ul style="list-style-type: none"> • Adjust the balance in the <i>Sound</i> menu.
Control buttons do not work	<ul style="list-style-type: none"> • Unplug the power cord, wait few seconds, then plug the cord back in and turn on your TV.

Symptom	Possible solution
After images appear	<ul style="list-style-type: none"> Do not display a still image, such as a logo, game, or computer image, for an extended period of time. This can cause a permanent after image to be burned into the screen. This type of damage is not covered by your warranty.
TV makes snapping sounds	<ul style="list-style-type: none"> Snapping sounds occur when your TV's cabinet expands or contracts from variations in temperature. This is not a malfunction.
Remote Control	
LED does not blink when a button is pressed	Replace the batteries.
LED blinks when a button is pressed, but device does not respond	Make sure that you are no more than 15 feet (4.6 meters) from the device and that you point the remote control at the remote sensor on the device.
LED stays on	You pressed an incorrect button. Start the procedure over again.
Remote control does not control a device or only controls some features of the device	Make sure that the device has a remote sensor, then try another code.
No volume on a device	See "Programming the volume lock" on page 19.

Specifications

- Design and specifications are subject to change without notice.
- Weight and dimensions listed are approximate.

Power supply	AC 100-240 V 50/60 Hz
Power consumption	200 W
Screen	37-inch
Channel coverage	VHF: 2-13 UHF: 14-69 CATV: 1-125 CADTV: 1-135 DTV: 2-69
Weight	70.4 lbs. (31.93 kg)
Dimensions W × H × D	37.2 × 28.9 × 12.2 inches (944.9 × 734.1 × 309.9 mm)
Temperature	Storage - 32° to 122°F (0° to 50°C). Working - 41° to 104°F (5° to 40°C).
TV system	NTSC-M, ATSC
Accessories	User guide Remote control Batteries (2 AA)

Appendix

Audio amplifier codes

Bose	30674
GE	30078
JVC	30331
Marantz	30321
Nakamichi	30321
NEC	30264
Optimus	30395
Realistic	30395
Sansui	30321
Shure	30264
Sony	30689
Soundesign	30078
Victor	30331
Wards	30078
Yamaha	30354, 30133

Audio amp/tuner codes

ADC	30531
Aiwa	31405, 31243, 30121
Anam	31609, 31074
Audiotronic	31189
Bose	31229
Capetronic	30531
Carver	31189
Coby	31263
Denon	31360, 31142, 30904
Fonmix	31360
Glory Horse	31263
Harman/Kardon	30110
Hitachi	31273
Inkel	30027
Integra	30135
JBL	30110
JVC	30074, 31263
Kenwood	31313, 31570, 30027
KLH	31428
Magnavox	31189, 31269, 30531
Marantz	31189, 31269, 30039
MCS	30039
Onkyo	30842, 30135
Optimus	31023, 30670, 30531, 31074
Panasonic	31518, 30039
Philips	31189, 31269
Pioneer	31023, 30150, 30014, 30630, 30531
Proscan	31254
Qisheng	31609
Quasar	30039

RadioShack	31263
RCA	31023, 31609, 31254, 30531, 31074
Sharper Image	31263
Silsonic	30176
Sony	31258, 31759
Soundesign	30670
Stereophonics	31023
Sunfire	31313
Teac	31074, 31267
Technics	31308, 31518, 30039
Thorens	31189
Victor	30074
Wards	30014
Yamaha	30176, 31276, 31176

Samsung	00000, 00144
Scientific Atlanta	01877, 00877, 00477, 00008
Sony	01006
Starcom	00003, 00014
Supercable	00276
Supermax	00883
Tocom	00012
Torx	00003
Toshiba	00000
Trans PX	00276
Tristar	00883
TS	00003
V2	00883
Viewmaster	00883
Vision	00883
Vortex View	00883
Zenith	00000, 00525, 00899

Cable converter codes

ABC	00003, 00008, 00014
Americast	00899
Bell & Howell	00014
Bell South	00899
Clearmaster	00883
ClearMax	00883
Coolmax	00883
Daeryung	01877, 00877, 00477, 00008
Digi	00637
Director	00476
Dumont	00637
Gehua	00476
General Instrument	00476, 00810, 00276, 00003, 00014
GoldStar	00144
Hamlin	00009, 00273
Hitachi	00014
Jerrold	00476, 00810, 00276, 00003, 00012, 00014
KNC	00008
LG	00144
Memorex	00000
Motorola	00476, 00810, 00276, 01254, 01376
MultiVision	00012
Pace	01877, 00237
Panasonic	00000, 00008, 00107
Panther	00637
Paragon	00000
Philips	00317, 01305
Pioneer	01877, 00877, 00144, 00533
Pulsar	00000
Quasar	00000
RadioShack	00883
Regal	00279, 00273
Runco	00000

CD player codes

Aiwa	30157
Burmester	30420
California Audio Labs	30029
Carver	30157, 30179
Denon	30873
DKK	30000
DMX Electronics	30157
Dynamic Bass	30179
Fisher	30179
Garrard	30420
Genexxa	30032
Harman/Kardon	30157, 30173
Hitachi	30032
Integra	30101
JVC	30072
Kenwood	30826, 30626, 30028, 30037, 30036, 30190
Krell	30157
Linn	30157
Magnavox	30157
Marantz	30626, 30029, 30157
MCS	30029
Miro	30000
Mission	30157
MTC	30420
NSM	30157
Onkyo	30868, 30101
Optimus	31063, 30000, 30032, 30037, 30420, 30179, 31075, 30145
Panasonic	30029
Parasound	30420
Philips	30626, 30157

Pioneer	31063, 31062, 30032
Polk Audio	30157
Proton	30157
QED	30157
Quad	30157
Quasar	30029
RadioShack	31075
RCA	31062, 30032, 30420, 30179, 30053
Realistic	30420, 30179
Rotel	30157, 30420
SAE	30157
Sansui	30157
Sanyo	30179
SAST	30157
Sharp	30861, 30037
Silsonic	30888, 30036
Sonic Frontiers	30157
Sony	30490, 30000, 30100
Soundesign	30145
TAG McLaren	30157
Tascam	30420
Teac	30420
Technics	30029
Victor	30072
Wards	30157, 30053
Yamaha	30888, 30036
Zonda	30157

Go Video	20744, 20833, 21099, 20783, 21075, 20869, 21730
Greenhill	20717
Harman/Kardon	20582, 20702
Hitachi	20573, 20664, 21919
Hiteker	20672
Initial	20717
Integra	20627, 21924
JBL	20702
JVC	20558, 20623, 20867
Kenwood	20490, 20534
KLH	20717, 21020, 21149
Koss	20651, 21980
Lasonic	20798
LG	20591, 20869, 20801
Liquid Video	21980
Lite-On	21158, 21058
Loewe	20511
Magnavox	20503, 20539, 21976, 21914, 20675
Marantz	20539
Memorex	20695
Microsoft	20522
Mintek	20717
Mitsubishi	21521, 20521
Nesa	20717
Norcent	21003
Onkyo	20503, 20627, 21924, 20792
Oritron	20651, 21980
Panasonic	20490, 21762, 21990
Philips	20503, 20539, 20646, 21914
Pioneer	20525, 20571
Polaroid	21086, 21061
Polk Audio	20539
Portland	20770
Proscan	20522
Qwestar	20651
RCA	20522, 20571, 20717, 20822
Rio	20869
Rotel	20623
Sampo	20752, 20698
Samsung	20490, 20573, 21932, 21075, 20820
Sansui	20695
Sanyo	20695
Sharp	20630, 20752
Sharper Image	21117
Sherwood	20770
Shinco	20717
Shinsonic	20533
Sonic Blue	20869, 21099
Sony	20533, 20864, 21033, 21904, 21903
SVA	20717
Sylvania	20675

DVD player codes

Aiwa	20641, 21912
Akai	20770
Allegro	20869
Apex Digital	20672, 20717, 20797, 21061, 20796, 21056, 21937, 20794, 21020, 21915
Blaupunkt	20717
Blue Parade	20571
Broksonic	20695
Changhong	20627, 21061
CineVision	20869
Coby	21086
Curtis Mathes	21087
CyberHome	21024, 21023, 21129, 20816, 21117
Daewoo	20833, 21172, 20869
Denon	20490
DVD2000	20521
Emerson	20591, 20675
Enterprise	20591
Fisher	21919
Funai	20675
Gateway	21158, 21073
GE	20522, 20717

Symphonic	20675
Teac	20717, 21984, 20809
Technics	20490
Theta Digital	20571
Toshiba	20503, 20695
Urban Concepts	20503
Xbox	20522
Yamaha	20490, 20539, 20545
Zenith	20503, 20591, 20869

Sony	00639, 01640
Star Choice	00869
Tivo	01142, 01442
Toshiba	00749, 01749, 00790, 01285
Ultimate TV	01640, 01392
Uniden	00724, 00722
US Digital	01535
USDTV	01535
Voom	00869
Zenith	00856, 01856

Satellite receiver codes

AlphaStar	00772
Chaparral	00216
Crossdigital	01109
DirecTV	00392, 00566, 00639, 01142, 00247, 00749, 01749, 00724, 00819, 01856, 01076, 01109, 00099, 01392, 01640, 01442, 01414, 01108
Dish Network System	01005, 00775, 01505
Dishpro	01005, 00775, 01505
Echostar	01005, 00775, 01505
Expressvu	00775
GE	00566
General Instrument	00869
GOI	00775
Goodmans	01246
Hisense	01535
Hitachi	00819, 00222, 01250
HTS	00775
Hughes Network Systems	01142, 00749, 01749, 01442
I-Lo	01535
JVC	00775
LG	01414, 01226
Magnavox	00724, 00722
Memorex	00724
Mitsubishi	00749
Motorola	00869
NEC	01270
Next Level	00869
Panasonic	00247, 00701
Paysat	00724
Philips	01142, 00749, 01749, 00724, 01076, 00722, 00099, 01442
Proscan	00392, 00566
Proton	01535
RadioShack	00869
RCA	00392, 00566, 00855, 00143, 01392
Samsung	01276, 01109, 01108
Sanyo	01219
SKY	00856

VCR codes

ABS	21972
Admiral	20048, 20209
Aiko	20278
Aiwa	20037, 20479
Alienware	21972
America Action	20278
American High	20035
Amoisonic	20479
Anam	20162, 20037, 20240, 20278
Anam National	20162
Asha	20240
Audiovox	20037, 20278
Beaemark	20240
Bell & Howell	20104
Broksonic	20184, 20121, 20209, 20002, 20479
Calix	20037
Canon	20035
Carver	20081
CCE	20072, 20278
Changhong	20048, 20081
Citizen	20037, 20278
Colt	20072
Craig	20037, 20047, 20240, 20072
Curtis Mathes	20060, 20035, 20162
Cybernex	20240
CyberPower	21972
Daewoo	20045, 20104, 20278
Dell	21972
Denon	20042
DirecTV	20739
Durabrand	20039, 20038
Electrohome	20037
Electroponic	20037
Emerex	20032
Emerson	20035, 20037, 20184, 20240, 20045, 20121, 20043, 20209, 20002, 20278, 20479
Fisher	20047, 20104
Fuji	20035, 20033

Fujitsu	20045
Gateway	21972
GE	20060, 20035, 20240
General	20045
Go Video	20432
GoldStar	20037, 20209, 20038, 20225
Haojie	20240
Harman/Kardon	20081, 20038
Harwood	20072
Hewlett Packard	21972
HI-Q	20047
Hitachi	20037, 20042, 20055
Howard Computers	21972
HP	21972
Hughes Network Systems	20042, 20739
iBUYPOWER	21972
JVC	20045, 20067
KEC	20037, 20278
Kenwood	20067, 20038
KLH	20072
Kodak	20035, 20037
Kolin	20043, 20037, 20045, 20042, 20209, 20038
Logik	20072
LXI	20037
Magnavox	20035, 20039, 20081
Magnin	20240
Marantz	20035, 20081
Marta	20037
Matsushita	20035, 20162
Media Center PC	21972
MEI	20035
Memorex	20035, 20162, 20037, 20048, 20039, 20047, 20240, 20104, 20209, 20479
MGA	20240, 20043
MGN Technology	20240
Microsoft	21972
Mind	21972
Minolta	20042
Mitsubishi	20067, 20043
Motorola	20035, 20048
MTC	20240
Multitech	20072
NEC	20035, 20037, 20048, 20104, 20067, 20038
Newave	20037
Nikko	20037
Noblex	20240
Northgate	21972
Olympus	20035
Optimus	21062, 20162, 20037, 20048, 20104, 20432

Orion	20184, 20209, 20002, 20479
Panasonic	21062, 20035, 20162, 20616, 20225
Penney	20035, 20037, 20240, 20042, 20038
Pentax	20042
Philco	20035, 20479
Philips	20035, 20081, 20739, 20618
Pilot	20037
Pioneer	20042, 20067
Polk Audio	20081
Profitronic	20240
Proscan	20060
Protec	20072
Pulsar	20039
Qisheng	20060
Quasar	20035, 20162
Radix	20037
Randex	20037
RCA	20060, 20035, 20240, 20042, 20880
Realistic	20035, 20037, 20048, 20047, 20104
ReplayTV	20616
Runco	20039
Sampo	20037, 20048
Samsung	20240, 20045, 20432
Sanky	20048, 20039
Sansui	20067, 20209, 20479
Sanyo	20047, 20240, 20104
Scott	20184, 20045, 20121, 20043
Sears	20035, 20037, 20047, 20042, 20104
Sharp	20048, 20209
Shintom	20072
Shogun	20240
Singer	20072
Sonic Blue	20616
Sony	20035, 20032, 20033, 20636, 21972
STS	20042
Sylvania	20035, 20081, 20043
Systemax	21972
Tagar Systems	21972
Tashiko	20037
Tatung	20045, 20067
Technics	20035, 20162
Teco	20035, 20037, 20048, 20038
Teknika	20035, 20037
Tivo	20636, 20618, 21503, 20739
TMK	20240
Toshiba	20045, 20042, 20067, 20043, 21503, 21008, 21972
Totevision	20037, 20240
Touch	21972
Unitech	20240
Vector	20045
Vector Research	20038

Victor	20067
Video Concepts	20045
Videomagic	20037
Videosonic	20240
Viewsonic	21972
Wards	20060, 20035, 20048, 20047, 20081, 20240, 20042, 20072
White Westinghouse	20209, 20072
XR-1000	20035, 20072
Yamaha	20038
Zenith	20039, 20033, 20209, 20479
ZT Group	21972

Legal notices

Copyright

© 2006 Insignia. Insignia and the Insignia logo are trademarks of Best Buy Enterprise Services, Inc. Other brands and product names are trademarks or registered trademarks of their respective holders. Specifications and features are subject to change without notice or obligation.

Warranty

1-year limited warranty

Insignia Products ("Insignia") warrants to you, the original purchaser of this new 37" LCD TV ("Product"), that the Product shall be free of defects in the original manufacture of the material or workmanship for a period of one (1) year from the date of your purchase of the Product ("Warranty Period"). This Product must be purchased from an authorized dealer of Insignia brand products and packaged with this warranty statement. This warranty does not cover refurbished Product. If you notify Insignia during the Warranty Period of a defect covered by this warranty that requires service, terms of this warranty apply.

How long does the coverage last?

The Warranty Period lasts for 1 year (365 days) from the date you purchased the Product. The purchase date is printed on the receipt you received with the Product.

What does this warranty cover?

During the Warranty Period, if the original manufacture of the material or workmanship of the Product is determined to be defective by an authorized Insignia repair center or store personnel, Insignia will (at its sole option): (1) repair the Product with new or rebuilt parts; or (2) replace the Product at no charge with new or rebuilt comparable products or parts. Products and parts replaced under this warranty become the property of Insignia and are not returned to you. If service of Products or parts are required after the Warranty Period expires, you must pay all labor and parts charges. This warranty lasts as long as you own your Insignia Product during the Warranty Period. Warranty coverage terminates if you sell or otherwise transfer the Product.

How to obtain warranty service?

If you purchased the Product at a retail store location, take your original receipt and the Product to the store you purchased it from. Make sure that you place the Product in its original packaging or packaging that provides the same amount of protection as the original packaging. If you purchased the Product from an online web site, mail your original receipt and the Product to the address listed on the web site. Make sure that you put the Product in its original packaging or packaging that provides the same amount of protection as the original packaging.

Where is the warranty valid?

This warranty is valid only to the original purchaser of the product in the United States and Canada.

What does the warranty not cover?

This warranty does not cover:

- Customer instruction
- Installation
- Set up adjustments
- Cosmetic damage
- Damage due to acts of God, such as lightning strikes
- Accident
- Misuse
- Abuse
- Negligence
- Commercial use
- Modification of any part of the Product, including the antenna

This warranty also does not cover:

- Damage due to incorrect operation or maintenance
- Connection to an incorrect voltage supply
- Attempted repair by anyone other than a facility authorized by Insignia to service the Product
- Products sold as is or with all faults
- Consumables, such as fuses or batteries
- Products where the factory applied serial number has been altered or removed

REPAIR REPLACEMENT AS PROVIDED UNDER THIS WARRANTY IS YOUR EXCLUSIVE REMEDY. INSIGNIA SHALL NOT BE LIABLE FOR ANY INCIDENTAL OR CONSEQUENTIAL DAMAGES FOR THE BREACH OF ANY EXPRESS OR IMPLIED WARRANTY ON THIS PRODUCT, INCLUDING, BUT NOT LIMITED TO, LOST DATA, LOSS OF USE OF YOUR PRODUCT, LOST BUSINESS OR LOST PROFITS. INSIGNIA PRODUCTS MAKES NO OTHER EXPRESS WARRANTIES WITH RESPECT TO THE PRODUCT, ALL EXPRESS AND IMPLIED WARRANTIES FOR THE PRODUCT, INCLUDING, BUT NOT LIMITED TO, ANY IMPLIED WARRANTIES OF AND CONDITIONS OF MERCHANTABILITY AND FITNESS FOR A PARTICULAR PURPOSE, ARE LIMITED IN DURATION TO THE WARRANTY PERIOD SET FORTH ABOVE AND NO WARRANTIES, WHETHER EXPRESS OR IMPLIED, WILL APPLY AFTER THE WARRANTY PERIOD. SOME STATES, PROVINCES AND JURISDICTIONS DO NOT ALLOW LIMITATIONS ON HOW LONG AN IMPLIED WARRANTY LASTS, SO THE ABOVE LIMITATION MAY NOT APPLY TO YOU. THIS WARRANTY GIVES YOU SPECIFIC LEGAL RIGHTS, AND YOU MAY ALSO HAVE OTHER RIGHTS, WHICH VARY FROM STATE TO STATE OR PROVINCE TO PROVINCE.

Téléviseur ACL de 37 po Insignia NS-37LCD

Table des matières

Informations sur la sécurité	29
Fonctionnalités	31
Installation du téléviseur	35
Fonctionnement du téléviseur	40
Programmation de la télécommande	47
Entretien	48
Problèmes et solutions	48
Spécifications	49
Annexe	50
Avis juridiques	54
Garantie	55

Informations sur la sécurité

Avertissement

Afin de réduire le risque de choc électrique, ne pas enlever le couvercle (ou le panneau arrière). Aucune pièce interne ne peut être réparée par l'utilisateur. Confier l'entretien à du personnel qualifié.

Afin de réduire le risque d'incendie et de choc électrique, ne pas exposer ce téléviseur à la pluie ou l'humidité.

Attention

Pour éviter les chocs électriques, introduire la lame la plus large de la prise du cordon d'alimentation dans la fente correspondante de la prise secteur. Si la prise ne s'adapte pas, contacter un électricien afin qu'il remplace la prise secteur inadéquate. Ne pas modifier la prise du cordon d'alimentation, sinon ce dispositif de sécurité serait inopérant.



Ce symbole indique qu'une tension dangereuse, constituant un risque de choc électrique, est présente dans cet appareil. Cette étiquette est située à l'arrière de l'appareil.



Ce symbole indique que d'importantes instructions concernant le fonctionnement et la maintenance figurent dans la documentation qui accompagne cet appareil.

Avertissement

Cet appareil utilise de la soudure étain-plomb et une lampe fluorescente contenant une petite quantité de mercure. La mise au rebut de ces matériels peut faire l'objet d'une réglementation relative à l'environnement. Pour des informations de mise au rebut ou de recyclage, contacter les autorités locales ou l'Electronic Industries Alliance sur le site www.eia.org.

Lire les instructions

Lire toutes les instructions de sécurité et d'utilisation avant d'utiliser cet appareil.

Conserver les instructions

Conserver les instructions de sécurité et de fonctionnement pour toute référence ultérieure.

Respecter les avertissements et les instructions

Respecter tous les avertissements sur cet appareil ainsi que dans les instructions d'utilisation. Toutes les instructions d'utilisation et de fonctionnement doivent être observées.

Eau et humidité

Ne pas utiliser cet appareil près de l'eau. Par exemple près d'une baignoire, un lavabo, un évier ou un baquet à linge, dans un sous-sol humide ou près d'une piscine.

Nettoyage

Débrancher l'appareil avant tout nettoyage. Ne pas utiliser de nettoyant liquide ou en aérosol. Utiliser un chiffon à poussière pour nettoyer l'extérieur de l'appareil.

Ventilation

Les fentes et ouvertures à l'arrière et au bas du boîtier sont prévues pour la ventilation, pour assurer un fonctionnement fiable de l'appareil et le protéger contre toute surchauffe. Ces ouvertures ne doivent être ni bloquées ni obstruées. Elles ne doivent jamais être bloquées en installant l'appareil sur un lit, un sofa, un tapis ou toute autre surface semblable. Ne pas placer l'appareil à proximité ou au-dessus d'un radiateur ou d'une source de chaleur. Ne pas installer l'appareil dans un meuble encastré tel qu'une bibliothèque ou sur une étagère, sauf si une ventilation adéquate a été prévue ou si les instructions du fabricant ont été respectées.

Chaleur

S'assurer que l'appareil est installé à l'écart de sources de chaleur, telles que radiateurs, bouches de chaleur, fours ou autres appareils (y compris les amplificateurs) qui produisent de la chaleur.

Mise à la terre ou polarisation

Ne pas chercher à modifier le dispositif de sécurité de la prise polarisée ou de type mise à la terre. Une prise polarisée comporte deux plots, un plus large que l'autre. Une prise de type mise à la terre est composée de deux plots et d'un troisième de mise à la terre. Ce troisième plot, large ou rond a été prévu pour la sécurité de l'utilisateur. Si la fiche ne s'adapte toujours pas à la prise secteur, contacter un électricien afin qu'il remplace la prise inadéquate.

Protection du cordon d'alimentation

Les cordons d'alimentation électrique doivent être acheminés afin que personne ne puisse marcher dessus et qu'aucun objet posé dessus ne vienne les entraver. Prêter particulièrement attention aux points de branchement du cordon à la prise secteur et à l'endroit d'où le cordon sort de l'appareil.

Pièces jointes

Ne pas utiliser de périphériques non recommandés par Insignia, car ils pourraient être source de dangers.

Support

Ne pas placer cet appareil sur une table roulante, un pied, un trépied, un support ou une table instables. L'appareil pourrait tomber et provoquer dans sa chute des blessures et subir de graves dommages. N'utiliser qu'avec la table roulante, le pied, le trépied, le support ou la table

recommandés par le fabricant ou vendus avec le téléviseur. Pour installer l'appareil sur un support mural, observer les instructions du fabricant et utiliser un accessoire de montage recommandé par celui-ci. Si l'appareil est installé sur un meuble à roulettes, déplacer l'ensemble avec précaution. Un arrêt brusque, l'utilisation d'une force excessive et des surfaces irrégulières risquent de déstabiliser l'ensemble et de le renverser.

Foudre

Pour protéger l'appareil pendant un orage ou s'il se trouve inutilisé et sans surveillance pendant une période prolongée, le débrancher de la prise secteur et débrancher l'antenne ou la connexion au réseau câblé. Ceci évitera d'endommager l'appareil en cas de foudre et de variations de tension du secteur.

Entretien

L'utilisateur ne doit pas essayer de réparer cet appareil lui-même, en effet son ouverture ou le démontage des couvercles peut l'exposer à des tensions dangereuses et à d'autres dangers. Toutes les réparations doivent être réalisées par du personnel qualifié.

Pièces de rechange

Si des pièces doivent être remplacées, s'assurer que le technicien a utilisé des pièces de rechange spécifiées par le fabricant qui ont les mêmes caractéristiques que les pièces d'origine. Toute substitution par des pièces non autorisées risque de provoquer un incendie, un choc électrique, des blessures ou d'autres dangers.

Surcharge

Les prises secteur et les rallonges ne doivent pas être surchargées, cela pourrait provoquer des risques d'incendie ou de choc électrique.

Pénétration d'objets ou de liquides

N'enfoncer en aucun cas un objet dans les ouvertures de l'appareil car il pourrait entrer en contact avec des tensions dangereuses ou provoquer un court-circuit à l'origine d'un incendie ou d'un choc électrique. Ne jamais répandre un liquide sur le téléviseur.

Dégâts nécessitant un entretien

Débrancher l'appareil de la prise secteur et utiliser les services d'un technicien qualifié dans les conditions suivantes :

- Lorsque le cordon d'alimentation est effiloché ou la prise endommagée.
- Si un liquide a été répandu ou des objets sont tombés dans l'appareil.
- Si l'appareil a été exposé à la pluie ou à l'eau.
- Si l'appareil fonctionne anormalement en appliquant les instructions d'utilisation. Ne régler que les commandes décrites dans les instructions d'utilisation ; en effet, le réglage incorrect d'autres commandes pourrait provoquer des dégâts, entraînant souvent d'importantes réparations par un technicien qualifié pour rétablir le fonctionnement normal de l'appareil.
- Si le téléviseur est tombé ou s'il est endommagé de quelque façon que ce soit.

- Si l'appareil présente une détérioration marquée de ses performances.

Pièces de rechange

Si des pièces doivent être remplacées, s'assurer que le technicien a utilisé des pièces de rechange spécifiées par le fabricant qui ont les mêmes caractéristiques que les pièces d'origine. Toute substitution par des pièces non autorisées risque de provoquer un incendie, un choc électrique, des blessures ou d'autres dangers.

Contrôle de sécurité

Après toute opération d'entretien ou réparation de cet appareil, demander au technicien d'effectuer les contrôles de sécurité de routine pour vérifier qu'il fonctionne correctement.

Source d'alimentation

Cet appareil doit fonctionner conformément à la source d'alimentation indiquée sur les étiquettes. En cas d'incertitude sur la tension d'alimentation électrique de la maison, consulter le revendeur du téléviseur ou la compagnie d'électricité.

Protection de l'écran

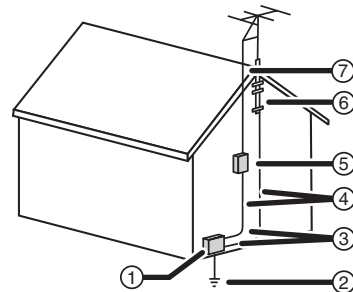
L'écran du téléviseur est en verre. Ne pas laisser tomber l'appareil ou heurter l'écran en verre. Si l'écran se brise, prendre garde à ne pas se blesser avec les morceaux de verre.

Pixels défectueux

L'écran de cet appareil est conçu pour afficher des images fines détaillées. Il peut arriver que certains pixels non actifs apparaissent sur l'écran sous forme de points fixes bleus, verts ou rouge. Ceci est normal et n'affecte pas la performance de l'appareil.

Mise à la terre d'une antenne externe

Si cet appareil est connecté à une antenne extérieure ou à un réseau câblé, vérifier que l'antenne ou la connexion au réseau câblé est mis à la terre afin de bénéficier d'une certaine protection contre les sautes de tension et les charges électrostatiques. L'article 810 du Code national de l'électricité (CNE), ANSI/NFPA N° 70, fournit des informations relatives à la mise à la terre correcte du mât et du support, la mise à la terre du fil conducteur de l'antenne à l'unité de décharge de l'antenne, la taille des conducteurs de mise à la terre, l'emplacement de l'unité de décharge de l'antenne, la connexion aux conducteurs de terre ainsi que les normes en matière de prise de terre.



1	Équipement de la compagnie d'électricité
2	Système de mise à la terre des électrodes de la compagnie d'électricité
3	Serre-fils de mise à la terre

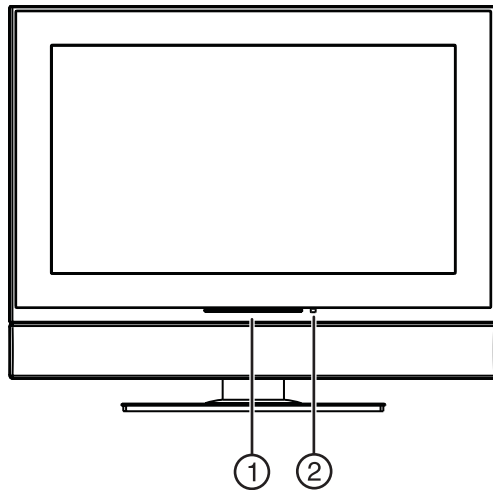
4	Conducteurs de mise à la terre
5	Unité de décharge de l'antenne
6	Serre-fil de mise à la terre
7	Fil conducteur de l'antenne

Avis à l'installateur de TV câblée

Le présent avis a pour objet de rappeler à l'installateur de systèmes de télévision par câble que l'article 820-40 du Code national de l'électricité contient des recommandations relatives à la mise à la masse de l'appareil et, en particulier, stipule que la terre du câble doit être connectée au système de mise à la terre de l'immeuble, aussi prêt que possible du point d'entrée du câble.

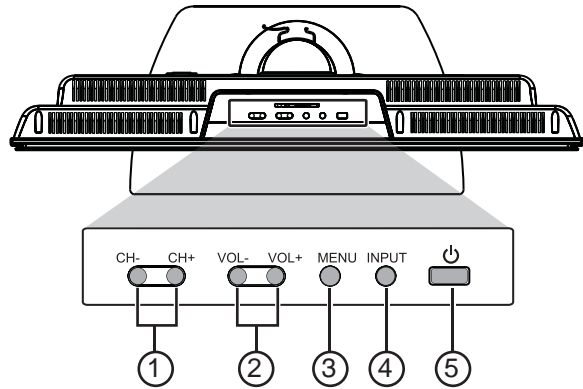
Fonctionnalités

Face avant



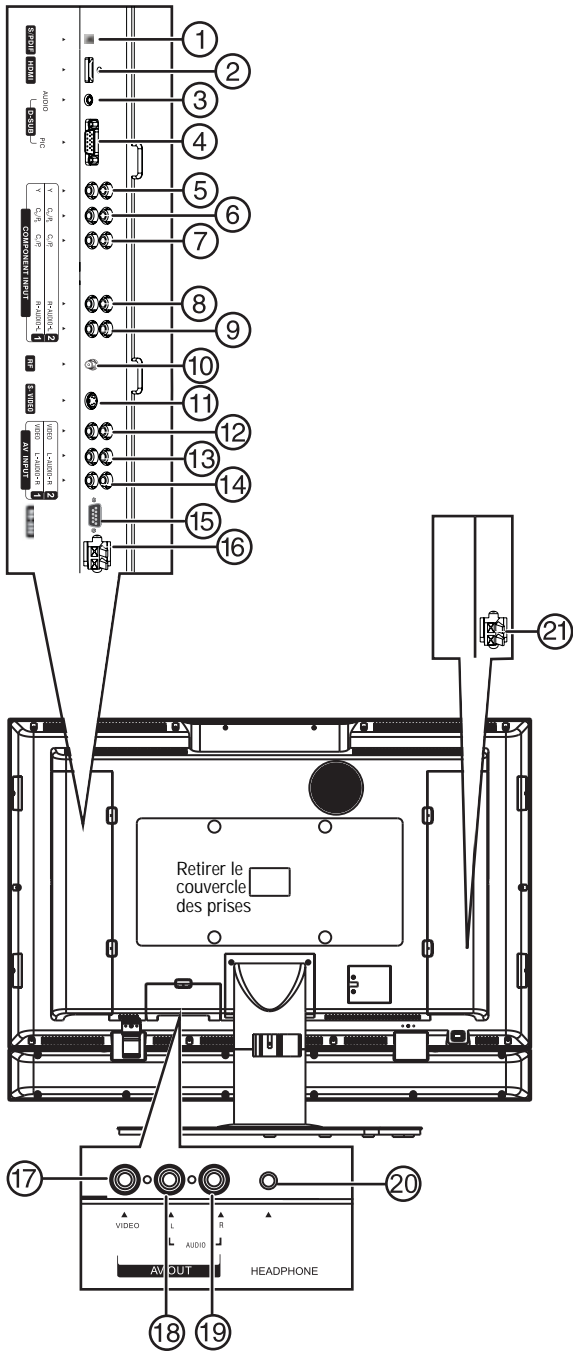
	Commande	Description
1	Témoin de Marche/Arrêt	S'allume quand l'appareil est mis sous tension.
2	Capteur de télécommande	Reçoit les signaux de la télécommande.

Dessus



#	Commande	Description
1	CH+/CH-	Permet de changer le canal. Dans le menu d'écran, permet de sélectionner les menus et les options.
2	VOL+/VOL-	Permet d'augmenter ou de diminuer le volume sonore. Dans le menu d'écran, permet de régler les paramètres ou de modifier une valeur.
3	MENU	Permet d'accéder au menu d'écran.
4	ENTRÉE	Permet de sélectionner la source d'entrée vidéo.
5	Marche/Arrêt	Permet d'allumer ou d'éteindre le téléviseur.

Panneau arrière et panneaux latéraux arrière

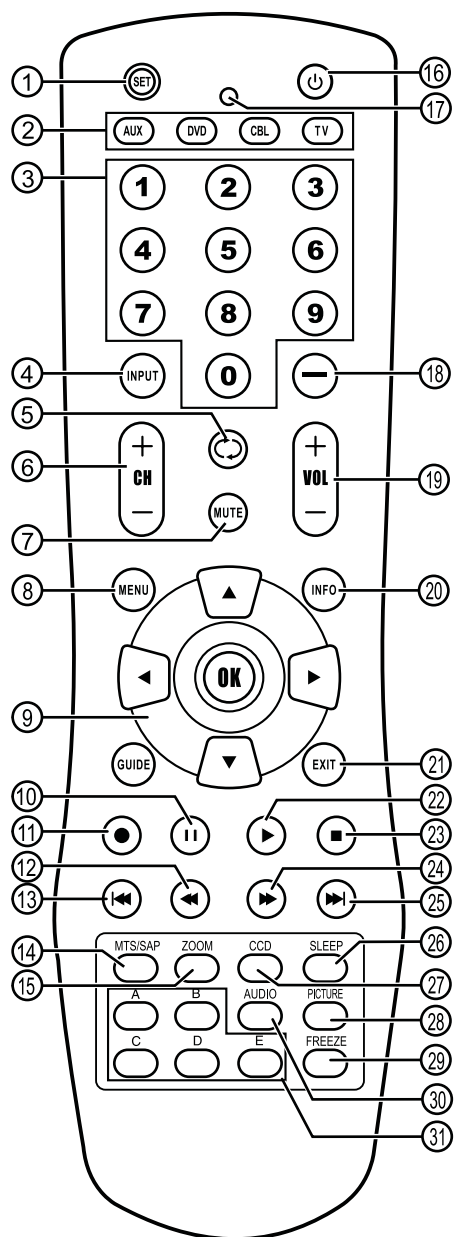


#	Prise
1	Sortie audio numérique S/PDIF (optique)
2	Entrée HDMI
3	Entrée D-SUB AUDIO
4	Entrée D-SUB PIC (vidéo)
5	ENTRÉE À COMPOSANTES Y
6	ENTRÉE À COMPOSANTES Cb/Pb
7	ENTRÉE À COMPOSANTES Cr/Pr
8	ENTRÉE À COMPOSANTES AUDIO D
9	ENTRÉE À COMPOSANTES AUDIO G
10	Entrée antenne RF
11	Entrée S-VIDÉO
12	ENTRÉE AV VIDÉO
13	ENTRÉE AV AUDIO G
14	ENTRÉE AV AUDIO D
15	Interface de commande RS-232
16	Prise de sortie haut-parleur droite
17	SORTIE AV VIDÉO
18	SORTIE AV AUDIO G
19	SORTIE AV AUDIO D
20	CASQUE D'ÉCOUTE
21	Prise de sortie du haut-parleur gauche

Télécommande

Remarque

Pour toute information sur la programmation de la télécommande, voir « Programming the remote control » page 47.



#	Touche	Description
1	CONFIGURER	Permet de programmer la télécommande. Pour toute information complémentaire, voir « Programming the remote control » page 47.
2	[Touches pour périphériques]	TV – Permet de choisir le mode TV. DVD – Permet de choisir le mode lecteur de DVD. CBL – Permet de choisir le mode TV câblé ou satellite. AUX – Permet de choisir un périphérique affecté à cette touche.
3	[Touches numériques]	Permet de saisir les numéros de canal. Dans le menu d'écran, permet de saisir le mot de passe du contrôle parental.
4	ENTRÉE	Permet de sélectionner la source d'entrée vidéo.
5	↻	Permet de revenir au dernier canal visionné.
6	+ CH -	Permet de changer les canaux de télévision.
7	SOURDINE	Permet de mettre le son en sourdine.
8	MENU	Permet d'accéder au menu d'écran.
9	▼ ▲ ◀ ▶ OK	Utiliser les flèches directionnelles pour se déplacer en bas, en haut, à gauche ou à droite dans le menu d'écran. Appuyer sur OK pour confirmer les changements ou pour activer ou désactiver les options dans le menu d'écran.
10	⏏	Permet d'arrêter momentanément la lecture d'une cassette vidéo ou d'un DVD. Appuyer de nouveau sur cette touche pour reprendre la lecture.*
11	●	Permet de commencer l'enregistrement d'une cassette vidéo ou d'un DVD.*
12	⏮	Permet une lecture rapide arrière d'un DVD ou d'une cassette vidéo.*
13	⏪	Permet de revenir au chapitre précédent sur un DVD.*
14	MTS/SAP	Permet de sélectionner l'un des modes audio pré-réglés. Il est possible de sélectionner MONO (Mono), STEREO (Stéréo) ou SAP (Seconde trame sonore).
15	ZOOM	Permet de modifier le format d'écran.
16	[Touche Marche/Arrêt] ⏻	Permet de mettre le téléviseur en marche ou en mode d'attente.
17	[Témoin à DEL]	S'allume lors de la programmation de la télécommande. Pour toute information complémentaire, voir « Programming the remote control » page 47.
18	—	Permet de sélectionner un canal secondaire. Pour toute information complémentaire, voir « Selecting a digital sub-channel » page 41.
19	+ VOL -	Permet de régler le volume.
20	INFO	Permet d'afficher l'information d'état.

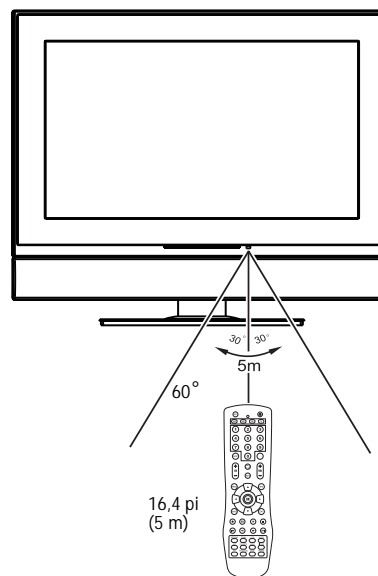
#	Touche	Description
21	QUITTER	Permet de quitter le menu d'écran.
22	▶	Permet de démarrer la lecture d'un DVD ou CD si un lecteur de DVD ou de CD est connecté.*
23	■	Permet d'arrêter la lecture d'un DVD ou CD si un lecteur de DVD ou de CD est connecté.*
24	▶▶	Permet l'avance rapide d'une cassette vidéo ou d'un DVD.*
25	▶▶	Permet d'aller au chapitre suivant sur un DVD.*
26	ARRÊT DIFFÉRÉ	Permet de configurer l'arrêt différé de l'appareil. Pour toute information complémentaire, voir « Setting the sleep timer » page 43.
27	CCD	Permet d'activer ou de désactiver les sous-titres codés. Pour toute information complémentaire, voir « Viewing closed captions » page 44.
28	IMAGE	Permet de sélectionner le mode d'image.
29	ARRÊT SUR IMAGE	Permet d'effectuer un arrêt sur l'image vidéo. Appuyer de nouveau pour reprendre la lecture. Ne pas effectuer un arrêt sur l'image vidéo pendant une durée prolongée. L'écran du téléviseur pourrait être endommagé.
30	AUDIO	Permet de sélectionner le mode audio.
31	Touches A, B, C, D, E	Ces touches n'ont aucune fonctionnalité sur cet appareil. Toutefois, elles pourraient être utilisées avec d'autres périphériques quand cette télécommande est configurée en tant que télécommande universelle. Leurs fonctions exactes dépendent du périphérique spécifique en cours de contrôle.

* La télécommande doit être programmée pour contrôler et faire fonctionner un magnétoscope ou lecteur de DVD. Pour toute information complémentaire, voir « Programming the remote control » page 47.

Utilisation de la télécommande

Pour utiliser la télécommande :

- Pointer la télécommande vers le capteur situé sur la face avant du téléviseur.



Remarques

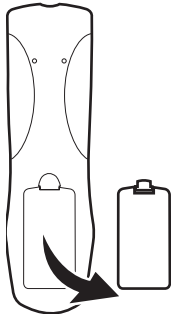
- La télécommande ne doit pas recevoir de chocs ou être exposée à des liquides.
- Ne pas utiliser la télécommande dans des endroits à forte humidité.
- Ne pas placer la télécommande sous la lumière solaire directe.
- Ne pas placer d'objets, tels que des meubles, entre la télécommande et le capteur de télécommande.
- La télécommande peut ne pas fonctionner correctement si le capteur de l'unité principale reçoit directement la lumière du soleil ou un éclairage important. Déplacer le téléviseur ou modifier l'angle d'utilisation de la télécommande.

Installation du téléviseur

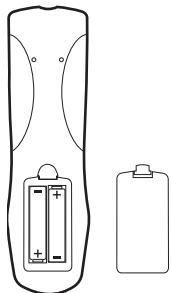
Installation des piles de la télécommande

Pour installer les piles de la télécommande :

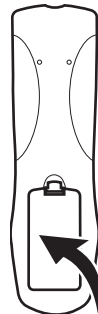
- 1 Retirer le couvercle du compartiment des piles.



- 2 Insérer deux piles AA dans le compartiment. Veiller à ce que les pôles + et – des piles coïncident avec les repères + et – figurant à l'intérieur du compartiment.



- 3 Remettre le couvercle en place.



Remarques

- Ne pas mélanger différents types de piles.
- Ne pas mélanger des piles neuves et usagées.
- Retirer les piles quand elles sont déchargées.
- Les produits chimiques des piles peuvent provoquer des démangeaisons. Si les piles fuient, nettoyer le compartiment avec un chiffon. Si les produits chimiques sont au contact de la peau, nettoyer immédiatement.
- Retirer les piles si la télécommande n'est pas utilisée pendant une période prolongée.

Connexion du téléviseur à une prise secteur

Pour connecter le téléviseur à une prise secteur :

- Brancher le cordon d'alimentation sur une prise secteur.

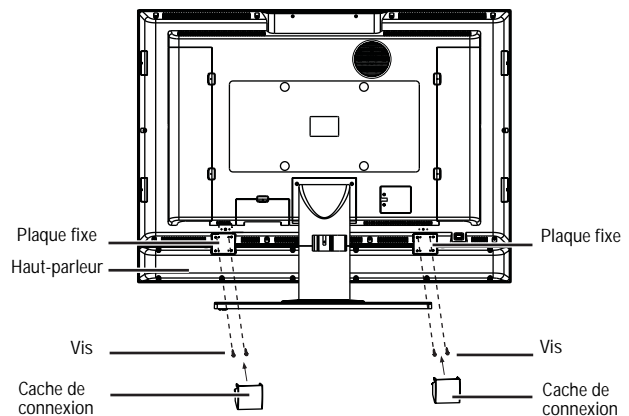
Remarques

- Vérifier que la tension est correcte. Voir l'étiquette à l'arrière du téléviseur.
- Débrancher l'appareil de la prise secteur lorsqu'il ne doit pas être utilisé pendant une durée prolongée.

Fixation et connexion des haut-parleurs

Pour fixer et connecter les haut-parleurs au téléviseur :

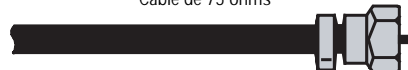
- 1 Débrancher le cordon d'alimentation de l'appareil ainsi que tous les périphériques connectés à ce dernier.
- 2 Connecter chaque haut-parleur et la plaque fixe au téléviseur à l'aide des vis fournies, puis serrer les vis.
- 3 Installer les deux caches de connexion sur les plaques fixes.
- 4 Connecter les haut-parleurs aux prises pour haut-parleurs situées sur les panneaux latéraux de l'appareil. S'assurer de connecter les câbles audio des haut-parleurs aux prises de sortie des haut-parleurs de façon à correspondre aux symboles + et – de ces derniers par la couleur.



Connexion d'une antenne externe

Les câbles d'antenne sont de deux types : 75 ohms et 300 ohms.

Câble de 75 ohms

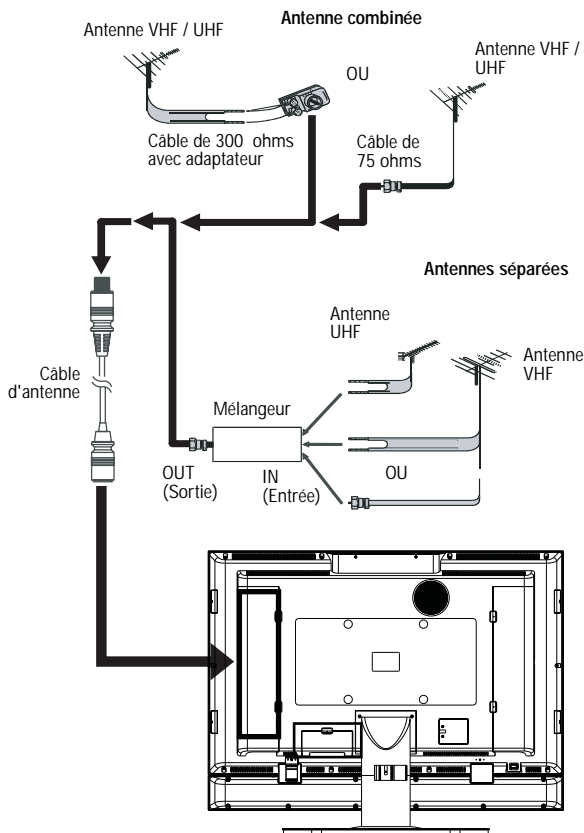


Câble de 300 ohms



- Si le câble d'antenne utilisé a un connecteur de 75 ohms, le brancher sur la prise coaxiale située à l'arrière de l'appareil.
- Si le câble d'antenne utilisé a un connecteur de 300 ohms, le brancher sur un adaptateur de 300 à 75 ohms (non fourni), connecter l'adaptateur à un câble de 75 ohms, puis brancher l'autre extrémité du connecteur de 75 ohms sur la prise coaxiale située à l'arrière de l'appareil.

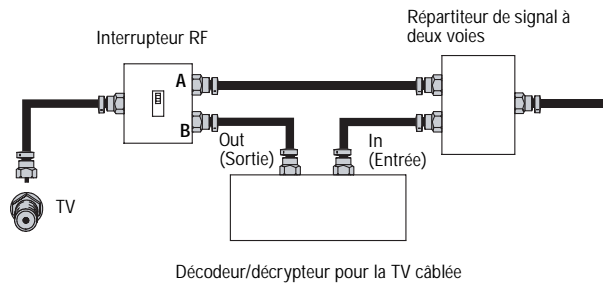
Utiliser l'illustration ci-après pour connecter une antenne extérieure :



Pour le raccordement à la TV câblée avec un décodeur/décrypteur :

- Se référer au schéma ci-après pour la connexion d'un décodeur/décrypteur (l'interrupteur RF et le répartiteur de signal ne sont pas fournis).

Régler l'interrupteur RF en position A et utiliser la télécommande de l'appareil pour visualiser les canaux « en clair ». Régler l'interrupteur RF en position B et utiliser les commandes du décodeur/décrypteur pour visualiser les canaux brouillés.



Connexion d'un système audio

Pour connecter un système audio :

- 1 Brancher le câble S/PDIF optique sur la prise S/PDIF située à l'arrière de l'appareil.
- 2 Brancher l'autre extrémité du câble S/PDIF sur une prise d'entrée S/PDIF du système audio.

Avertissement

S'assurer d'éteindre et de débrancher l'appareil avant l'installation de périphériques.

Remarque

Pour les systèmes de cinéma maison, utiliser un câble S/PDIF (optique) pour obtenir les meilleures performances sonores.

Raccordement à la TV câblée

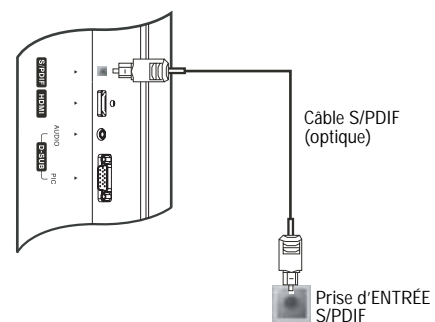
L'appareil est doté d'une prise de 75 ohms pour le raccordement à la TV câblée.

Certains câblo-opérateurs brouillent les signaux des canaux par abonnement. Pour visualiser ces canaux, il faut obtenir un décodeur/décrypteur.

Le raccordement direct à la TV câblée à l'appareil est possible même sans un décodeur/décrypteur. Avec un décodeur/décrypteur, le raccordement à la TV câblée est possible en utilisant un interrupteur RF (non fourni). Pour plus d'informations sur la connexion d'un décodeur/décrypteur, contacter le câblo-opérateur.

Pour le raccordement à la TV câblée sans décodeur/décrypteur :

- 1 Brancher une extrémité d'un câble de 75 ohms sur la prise coaxiale à l'arrière de l'appareil.
- 2 Brancher l'autre extrémité sur la prise secteur de la TV câblée.



Équipement audio



OU

Système stéréo



Connexion d'un magnétoscope

Il est possible de connecter un magnétoscope avec un câble audio/vidéo standard ou un câble S-Vidéo. Le câble S-Vidéo ne fournit pas de son. Si un câble S-Vidéo est utilisé, des câbles audio sont nécessaires pour la connexion de la sortie audio.

Avertissement

S'assurer d'éteindre et de débrancher l'appareil avant l'installation de périphériques.

Remarque

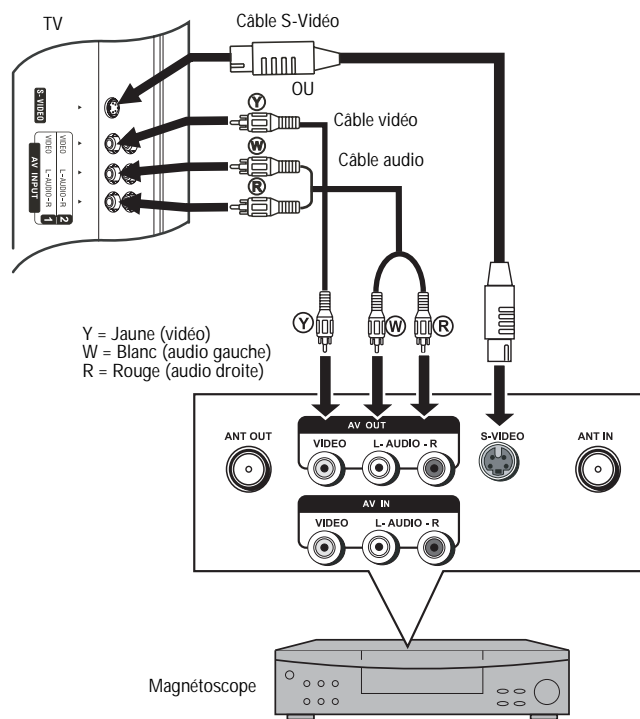
Pour obtenir une meilleure vidéo, utiliser la prise S-Vidéo si le magnétoscope est doté d'une connexion S-Vidéo.

Pour connecter un magnétoscope et lire une cassette vidéo :

- 1 Brancher le câble audio/vidéo sur les prises d'entrée AUDIO L (gauche), AUDIO R (droite) et VIDEO à l'arrière de l'appareil.
- 2 Brancher l'autre extrémité du câble audio/vidéo sur les prises de sortie vidéo et audio du magnétoscope.
 - OU -

Brancher les câbles audio tels que décrit ci-dessus, puis connecter une extrémité du câble S-Vidéo à la prise S-Vidéo à l'arrière de l'appareil et l'autre extrémité à la prise S-Vidéo du magnétoscope.
- 3 Allumer le téléviseur.
- 4 Appuyer plusieurs fois sur **INPUT** (Entrée) pour sélectionner **Composite1** (ou **S-Vidéo** si le magnétoscope est connecté à la prise S-Vidéo).
- 5 Mettre le magnétoscope sous tension.

- 6 Insérer une cassette vidéo, puis appuyer sur **PLAY** (Lecture).



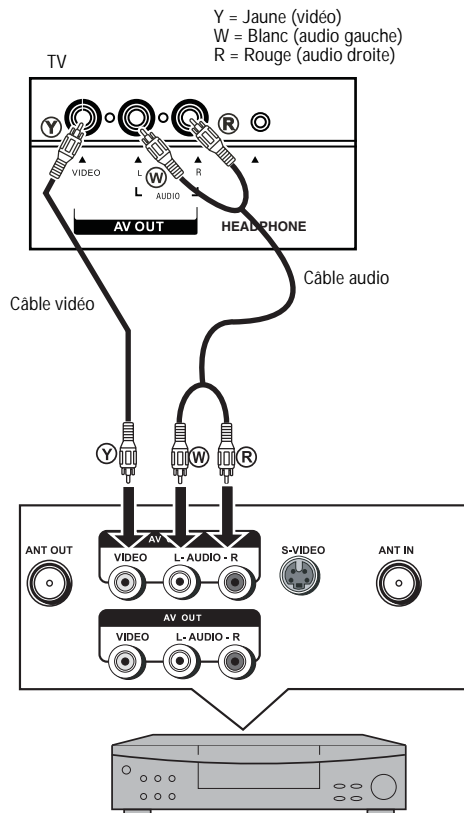
Connexion d'un magnéscope (pour un enregistrement)

Avertissement

S'assurer d'éteindre et de débrancher l'appareil avant l'installation de périphériques.

Pour connecter et enregistrer une émission sur le magnéscope :

- 1 Brancher le câble audio/vidéo sur les prises AUDIO L (gauche), AUDIO R (droite) et VIDEO à l'arrière de l'appareil.
- 2 Brancher l'autre extrémité du câble audio/vidéo sur les prises d'entrée vidéo et audio du magnéscope.
- 3 Allumer le téléviseur.
- 4 Sélectionner l'émission à enregistrer.
- 5 Mettre le magnéscope sous tension.
- 6 Insérer une cassette vidéo, puis appuyer sur la touche enregistrement du magnéscope.



Connexion d'un amplificateur

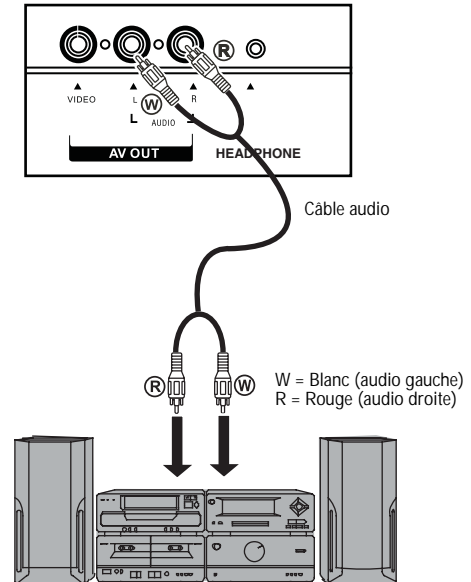
Avertissement

S'assurer d'éteindre et de débrancher l'appareil avant l'installation de périphériques.

Pour connecter un amplificateur :

- 1 Brancher les câbles audio sur les prises AUDIO L (gauche) et AUDIO R (droite) à l'arrière de l'appareil.
- 2 Brancher l'autre extrémité des câbles audio sur les prises d'entrée vidéo et audio de l'amplificateur.

TV



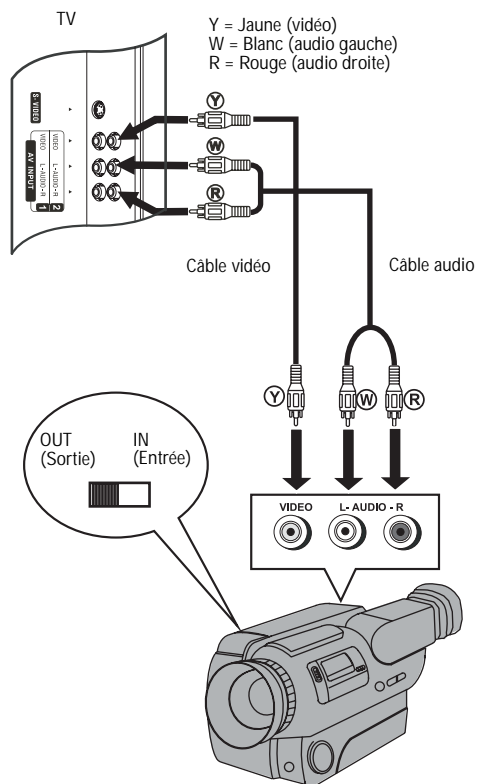
Connexion d'un caméscope

Avertissement

S'assurer d'éteindre et de débrancher l'appareil avant l'installation de périphériques.

Pour connecter et lire une vidéo à partir d'un caméscope :

- 1 Brancher le câble audio/vidéo sur les prises AUDIO L (gauche), AUDIO R (droite) et VIDEO à l'arrière de l'appareil.
- 2 Brancher l'autre extrémité du câble audio/vidéo sur les prises de sortie vidéo et audio du caméscope.
- 3 Allumer le téléviseur.
- 4 Appuyer plusieurs fois sur **INPUT** (Entrée) pour sélectionner **Composite2**.
- 5 Mettre le caméscope sous tension et le régler sur le mode de sortie. Pour plus d'informations, se référer au guide de l'utilisateur du caméscope.
- 6 Insérer une cassette dans le caméscope et appuyer sur **Play** (Lecture).



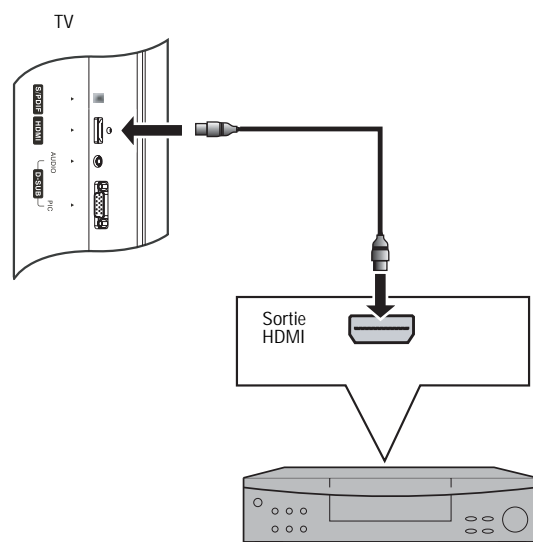
Connexion d'un lecteur de DVD

Avertissement

S'assurer d'éteindre et de débrancher l'appareil avant l'installation de périphériques.

Pour connecter un lecteur de DVD et lire un DVD :

- 1 Brancher le câble HDMI sur la prise HDMI à l'arrière de l'appareil et sur la prise de sortie HDMI sur le panneau arrière du lecteur de DVD.
- 2 Allumer le téléviseur.
- 3 Appuyer plusieurs fois sur **INPUT** (Entrée) pour sélectionner **HDMI**.
- 4 Mettre le lecteur de DVD sous tension.
- 5 Insérer un DVD et appuyer sur **Play** (Lecture).



Remarque

Si le lecteur de DVD a seulement une sortie DVI, utiliser un adaptateur DVI vers HDMI (non fourni) pour connecter le lecteur de DVD à la prise HDMI à l'arrière de l'appareil. Puis connecter le câble audio à la prise D-SUB AUDIO IN (Entrée audio D-SUB) à l'arrière du téléviseur.

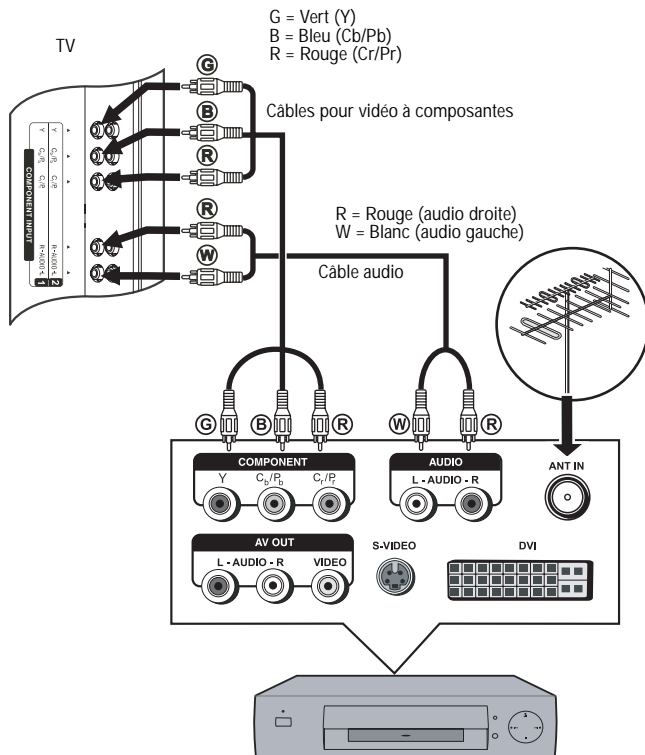
Connexion d'un récepteur TVN

Avertissement

S'assurer d'éteindre et de débrancher l'appareil avant l'installation de périphériques.

Pour connecter un récepteur TVN et visualiser la télévision numérique :

- 1 Brancher les câbles audio sur les prises AUDIO L (gauche) et AUDIO R (droite) à l'arrière de l'appareil.
- 2 Brancher l'autre extrémité des câbles audio sur les prises de sortie audio du récepteur TVN.
- 3 Brancher les câbles vidéo à composantes sur les prises d'entrée Composante à l'arrière de l'appareil.
- 4 Brancher l'autre extrémité des câbles vidéo à composantes sur les prises Composante du récepteur TVN.
- 5 Allumer le téléviseur.
- 6 Appuyer plusieurs fois sur **INPUT** (Entrée) pour sélectionner **Composante1**.
- 7 Mettre le récepteur TVN sous tension.



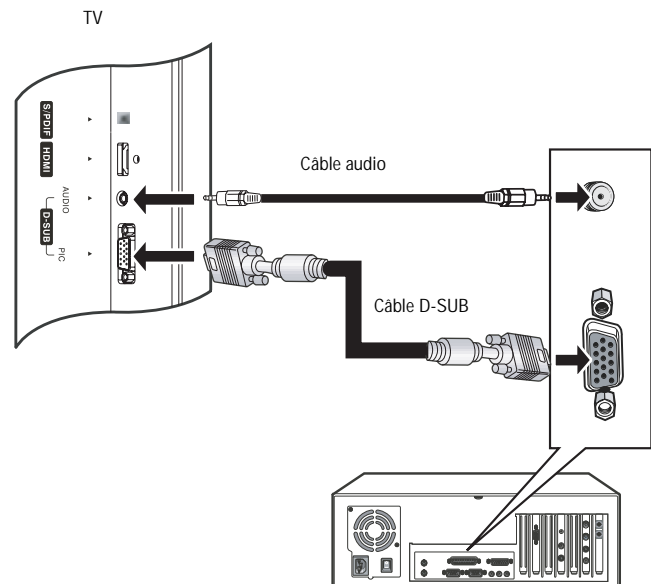
Connexion d'un ordinateur

Avertissement

S'assurer d'éteindre et de débrancher l'appareil avant l'installation de périphériques.

Pour connecter et lire une vidéo à partir d'un ordinateur :

- 1 Connecter le câble audio à la prise d'entrée audio D-SUB à l'arrière de l'appareil.
- 2 Brancher l'autre extrémité du câble audio sur les prises de sortie audio de l'ordinateur.
- 3 Connecter le câble D-SUB à la prise d'entrée PIC à l'arrière de l'appareil.
- 4 Brancher l'autre extrémité du câble D-SUB sur la prise D SUB de l'ordinateur.
- 5 Allumer le téléviseur.
- 6 Appuyer plusieurs fois sur **INPUT** (Entrée) pour sélectionner **VGA**.
- 7 Mettre l'ordinateur sous tension, puis le régler en mode d'entrée VGA externe. Pour plus d'informations, se référer au guide de l'utilisateur de l'ordinateur.



Fonctionnement du téléviseur

Mise en Marche/Arrêt de l'appareil

Pour mettre le téléviseur sous/hors tension :

- 1 Vérifier que le cordon d'alimentation est connecté à l'appareil et à une prise secteur.
- 2 Appuyer sur la touche pour mettre l'appareil en marche.
- 3 Appuyer de nouveau sur la touche pour éteindre l'appareil.

Sélection de la source du signal TV

Pour sélectionner la source du signal TV :

- 1 Appuyer sur **MENU**.
- 2 Appuyer plusieurs fois sur \blacktriangledown ou \blacktriangle pour sélectionner **Setup** (Configuration), puis sur **OK** ou \blacktriangleright pour ouvrir le menu *Setup* (Configuration).
- 3 Appuyer plusieurs fois sur \blacktriangledown ou \blacktriangle pour sélectionner **Tuning Band** (Bande de syntonisation), puis sur **OK** ou \blacktriangleright pour accéder aux options de bande de syntonisation.



- 4 Sélectionner **Air** (Réception hertzienne) en cas de raccordement à une antenne externe, ou **Cable**, **Cable HRC**, **Cable IRC** ou **Cable Auto** pour la TV câblée. Il est recommandé de sélectionner **Cable Auto** (Câble automatique) pour la TV câblée. Pour plus d'informations sur la sélection de la TV câblée, contacter le câblo-opérateur.
- 5 Appuyer sur **EXIT** (Quitter) pour fermer le menu d'écran.

Configuration de la liste des canaux

Après avoir sélectionné la source du signal TV (antenne ou câble), il est nécessaire de configurer la liste des canaux. Lors de la configuration de la liste des canaux, l'appareil recherche les canaux disponibles localement et crée une liste de canaux enregistrés. En appuyant sur la touche CH – ou +, le téléviseur saute automatiquement les canaux qui n'émettent pas de signaux.

Configuration automatique des canaux

Pour configurer la liste des canaux automatiquement :

- 1 Appuyer sur **MENU**.
- 2 Appuyer plusieurs fois sur \blacktriangledown ou \blacktriangle pour sélectionner **Setup** (Configuration), puis sur **OK** ou \blacktriangleright pour ouvrir le menu *Setup* (Configuration).
- 3 Appuyer plusieurs fois sur \blacktriangledown ou \blacktriangle pour sélectionner **Auto Ch Search** (Recherche automatique des canaux).



- 4 Appuyer sur **OK** ou \blacktriangleright pour lancer la recherche des canaux.

Remarque

Appuyer sur **Exit** (Quitter) pour arrêter la recherche.

Ajout ou suppression manuel de canaux de la liste des canaux

Après avoir créé la liste des canaux à partir de l'option Recherche automatique des canaux, il est possible d'ajouter ou de supprimer des canaux de la liste manuellement.

Pour ajouter ou supprimer des canaux :

- 1 Appuyer sur **MENU**.
- 2 Appuyer plusieurs fois sur \blacktriangledown ou \blacktriangle pour sélectionner **Setup** (Configuration), puis sur **OK** ou \blacktriangleright pour ouvrir le menu *Setup* (Configuration).
- 3 Appuyer plusieurs fois sur \blacktriangledown ou \blacktriangle pour sélectionner **Manual Ch Set** (Configuration manuelle des canaux), puis sur **OK** ou \blacktriangleright pour accéder aux options de configuration manuelle des canaux.



- 4 Appuyer sur \blacktriangledown ou \blacktriangle pour sélectionner un canal, puis sur **OK** pour ajouter ou supprimer un canal.
- 5 Appuyer sur **EXIT** (Quitter) pour fermer le menu.

Changement de canal

Pour changer de canal :

- Appuyer sur la touche **CH –** ou **+** de la télécommande pour passer à un canal inférieur ou supérieur.
Ou
Utiliser les touches numériques pour sélectionner un canal (par exemple, pour sélectionner le canal 83, saisir **8**, puis **3**).
Ou
Appuyer sur \curvearrowright pour retourner au dernier canal visionné.

Sélection d'un canal secondaire numérique

La plupart des canaux TV numériques contiennent plus d'un canal. Le canal principal reçoit le signal pour le programme TV principal. Les canaux secondaires reçoivent les signaux pour la programmation supplémentaire ou alternative, telle que la radiodiffusion ou les journaux télévisés.

Par exemple, si le numéro de canal principal est 8, les numéros de canal secondaire peuvent être 8-1, 8-2 ou 8-3.

Pour sélectionner un canal secondaire :

- 1 Utiliser les touches numériques pour saisir le canal principal, 8 par exemple.
- 2 Appuyer sur **–**, puis sur le canal secondaire, 1 par exemple.

Réglage du volume

Pour régler le volume :

- Appuyer sur **VOL –** or **+** pour diminuer ou augmenter le volume.
- Appuyer sur **MUTE** (Sourdine) pour désactiver le son. Appuyer de nouveau sur **MUTE** (Sourdine) pour réactiver le son.

Affichage de l'information d'état

Pour afficher l'information d'état :

- Appuyer sur **INFO**. L'appareil affiche l'information d'état, telle que le numéro de canal ou la source du signal.

Sélection de la source d'entrée vidéo

Pour sélectionner la source d'entrée vidéo :

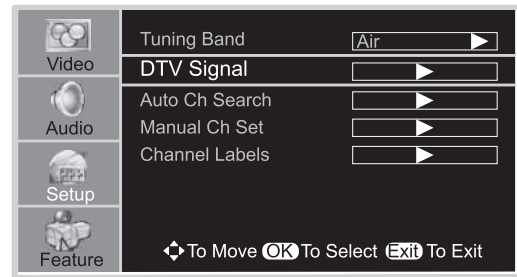
- Appuyer plusieurs fois sur **INPUT** (Entrée) pour sélectionner la source vidéo. Il est possible de sélectionner :
 - **TV** – Signal TV
 - **Composite1** – Prises AV INPUT 1 (ENTRÉE1 AV)
 - **Composite2** – Prises AV INPUT2 (ENTRÉE2 AV)
 - **Component1** (Composante1) – Prises COMPONENT INPUT1 (ENTRÉE1 COMPOSANTE1)
 - **Component2** (Composante2) – Prises COMPONENT INPUT2 (ENTRÉE2 COMPOSANTE2)
 - **VGA** – Prise D-SUB (ordinateur)
 - **HDMI** – Prise HDMI
 - **S-Video** – Prise S-Vidéo

Vérification de la puissance du signal TVN

Pour vérifier la puissance du signal TVN :

- 1 Appuyer sur **MENU**.
- 2 Appuyer plusieurs fois sur **▼** ou **▲** pour sélectionner **Setup** (Configuration), puis sur **OK** ou **▶** pour ouvrir le menu **Setup** (Configuration).

- 3 Appuyer plusieurs fois sur **▼** ou **▲** pour sélectionner **DTV Signal** (Signal TVN) puis sur **OK** ou **▶**. Le téléviseur affiche la puissance du signal TVN.



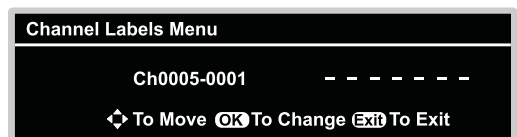
Ajout d'une étiquette à un canal

Pour ajouter une étiquette à un canal :

- 1 Appuyer sur **MENU**.
- 2 Appuyer plusieurs fois sur **▼** ou **▲** pour sélectionner **Setup** (Configuration), puis sur **OK** ou **▶** pour ouvrir le menu **Setup** (Configuration).
- 3 Appuyer plusieurs fois sur **▼** ou **▲** pour sélectionner **Channel Labels** (Étiquettes de canaux), puis sur **OK** ou **▶** pour ouvrir le menu **Channel Labels** (Étiquettes de canaux).



- 4 Appuyer sur **◀** ou **▶** pour déplacer le curseur. Appuyer sur **▼** ou **▲** pour sélectionner un numéro de canal ou un caractère.



- 5 Appuyer sur **OK** pour retourner au menu précédent ou sur **EXIT** (Quitter) pour fermer le menu d'écran.

Arrêt sur image

Il est possible de faire un arrêt sur image (figer l'image).

Attention
Pour éviter d'endommager l'appareil, ne pas faire un arrêt sur image pendant une durée prolongée.

Pour faire un arrêt sur image ou réactiver l'image :

- Appuyer sur **FREEZE** (Arrêt sur image).

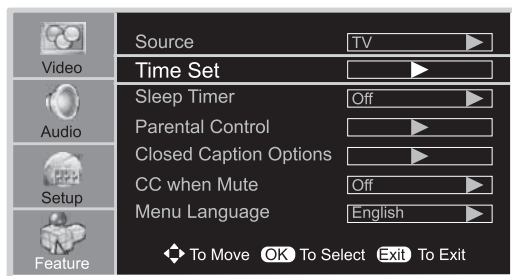
Réglage de l'horloge

L'horloge peut être réglée automatiquement à partir d'un signal numérique de canal. L'appareil recherche un canal numérique avec l'information de l'heure encodée. Si l'heure affichée n'est pas correcte, régler l'horloge manuellement.

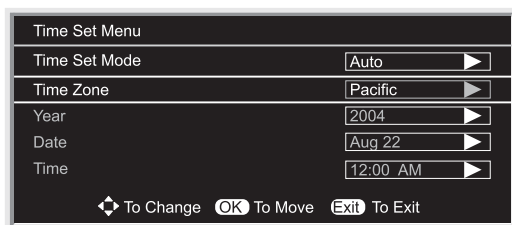
Réglage automatique de l'horloge

Pour régler automatiquement l'horloge :

- 1 Appuyer sur **MENU**.
- 2 Appuyer plusieurs fois sur \blacktriangledown ou \blacktriangle pour sélectionner **Feature** (Fonctions), puis sur **OK** ou \blacktriangleright pour ouvrir le menu *Feature* (Fonctions).
- 3 Appuyer plusieurs fois sur \blacktriangledown ou \blacktriangle pour sélectionner **Time Set** (Réglage de l'horloge), puis sur **OK** ou \blacktriangleright pour ouvrir le menu *Time Set* (Réglage de l'horloge).



- 4 Appuyer plusieurs fois sur \blacktriangledown ou \blacktriangle pour sélectionner **Time Set Mode** (Mode de réglage de l'horloge), puis sur **OK** ou \blacktriangleright pour sélectionner **Auto**.



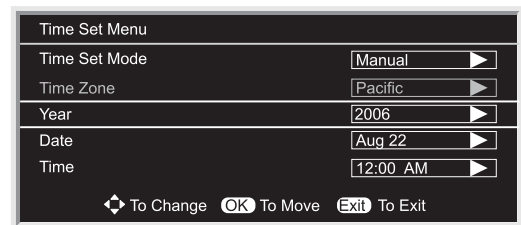
- 5 Appuyer plusieurs fois sur \blacktriangledown ou \blacktriangle pour sélectionner **Time Zone** (Fuseau horaire), puis sur **OK** ou \blacktriangleright pour configurer le fuseau horaire : **Pacific** (HNP), **Alaska** (Heure de l'Alaska), **Hawaii** (Heure de Hawaï), **Eastern** (HNE), **Central** (HNC) ou **Mountain** (HNR).
- 6 Appuyer sur **EXIT** (Quitter) pour fermer le menu d'écran.

Réglage manuel de l'horloge

Pour régler l'horloge manuellement :

- 1 Appuyer sur **MENU**.
- 2 Appuyer plusieurs fois sur \blacktriangledown ou \blacktriangle pour sélectionner **Feature** (Fonctions), puis sur **OK** ou \blacktriangleright pour ouvrir le menu *Feature* (Fonctions).
- 3 Appuyer plusieurs fois sur \blacktriangledown ou \blacktriangle pour sélectionner **Time Set** (Réglage de l'horloge), puis sur **OK** ou \blacktriangleright pour ouvrir le menu *Time Set* (Réglage de l'horloge).

- 4 Appuyer plusieurs fois sur \blacktriangledown ou \blacktriangle pour sélectionner **Time Set Mode** (Mode de réglage de l'horloge), puis sur **OK** ou \blacktriangleright pour sélectionner **Manual** (Manuel).



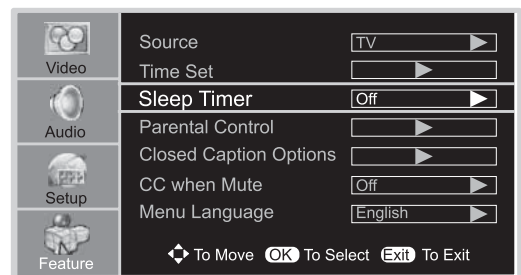
- 5 Appuyer sur \blacktriangledown ou \blacktriangle pour sélectionner **Year** (Année), **Date** ou **Time** (Heure), puis sur **OK**, \blacktriangleleft ou \blacktriangleright pour régler l'année, la date et l'heure.
- 6 Appuyer sur **EXIT** (Quitter) pour fermer le menu d'écran.

Réglage de l'arrêt différé

L'arrêt différé permet de sélectionner la durée avant que l'appareil se mette automatiquement hors tension.

Pour régler l'arrêt différé :

- 1 Appuyer sur **MENU**.
- 2 Appuyer plusieurs fois sur \blacktriangledown ou \blacktriangle pour sélectionner **Feature** (Fonctions), puis sur **OK** ou \blacktriangleright pour ouvrir le menu *Feature* (Fonctions).



- 3 Appuyer plusieurs fois sur \blacktriangledown ou \blacktriangle pour sélectionner **Sleep Timer** (Arrêt différé), puis sur **OK** ou \blacktriangleright pour sélectionner la durée souhaitée. Pour désactiver l'arrêt différé, sélectionner **Off** (Désactivé).

Remarque

Il est aussi possible d'utiliser la touche **SLEEP** (Arrêt différé) de la télécommande pour configurer l'arrêt différé.

Visualisation des sous-titres codés

Les sous-titres codés peuvent être visualisés dans deux modes : LÉGENDE et TEXTE. Pour chaque mode, quatre canaux sont disponibles. Le mode LÉGENDE affiche le texte des dialogues et des commentaires d'émissions de télévision tout en permettant un affichage clair des images. Le mode TEXTE affiche des informations qui sont indépendantes des programmes de télévision, telles que le programme des émissions télévisées ou les prévisions météorologiques). Dans le mode TEXTE, des parties de l'image peuvent être cachés par le texte.

Remarque

Pour la diffusion numérique, il est possible d'utiliser la touche **CCD** de la télécommande pour sélectionner le mode des sous-titres codés. Pour personnaliser des sous-titres codés numériques, utiliser le sous-menu *Closed Caption Options* (Options des sous-titres codés) dans le menu *Feature* (Fonctions).

Pour visualiser les sous-titres codés :

- Appuyer plusieurs fois sur **CCD** pour sélectionner le mode des sous-titres codés. Il est possible de sélectionner :
 - **CC1**
 - **CC2**
 - **CC3**
 - **CC4**
 - **TEXT1**
 - **TEXT2**
 - **TEXT3**
 - **TEXT4**
 - **Arrêt**

Configuration du contrôle parental

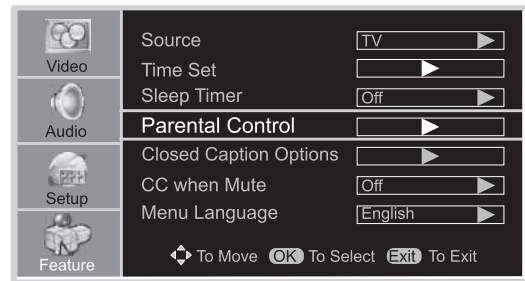
L'appareil est doté d'une puce antiviolence qui permet de contrôler l'accès à certaines émissions par les enfants. Le contrôle parental inclut deux classifications : MPAA (en fonction de l'âge) et les directives parentales TV (en fonction de l'âge et du contenu). Un programme TV pouvant utiliser soit les niveaux MPAA ou les directives parentales TV, les deux classifications doivent être réglées pour un contrôle total.

Avant de sélectionner les classifications, il est nécessaire de configurer le mot de passe du contrôle parental.

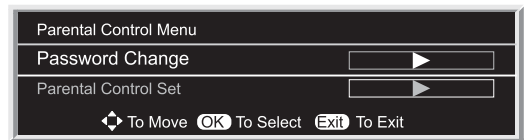
Pour configurer un mot de passe :

- 1 Appuyer sur **MENU**.
- 2 Appuyer plusieurs fois sur ▼ ou ▲ pour sélectionner **Feature** (Fonctions), puis sur **OK** ou ► pour ouvrir le menu *Feature* (Fonctions).

- 3 Appuyer plusieurs fois sur ▼ ou ▲ pour sélectionner **Parental Control** (Contrôle parental), puis sur **OK** ou ► pour ouvrir le menu *Parental Control* (Contrôle parental).



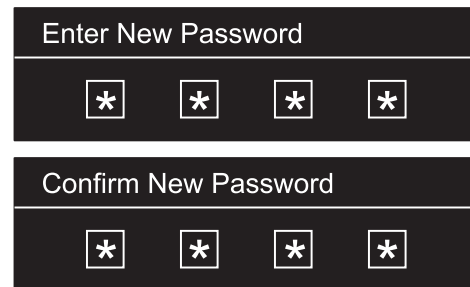
- 4 Appuyer plusieurs fois sur ▼ ou ▲ pour sélectionner **Password Change** (Modification du mot de passe), puis sur **OK** ou ► pour accéder à l'option de modification du mot de passe.



- 5 Utiliser les touches numériques pour saisir l'ancien mot de passe. Si un mot de passe personnalisé n'a pas été saisi, entrer 0000.



- 6 Utiliser les touches numériques pour saisir un nouveau mot de passe, puis le saisir une deuxième fois pour confirmation.



Attention

Prendre note du mot de passe et en conserver trace pour référence ultérieure.

Remarque

En cas d'oubli du mot de passe, entrer 1397 comme ancien mot de passe, puis saisir un nouveau mot de passe. Ce mot de passe est toujours valable pour la réinitialisation du mot de passe.

Classification MPAA

Classification	Description
AUCUNE	Non classifié.
G	Tout public.
PG	Surveillance parentale suggérée. Certains aspects peuvent ne pas convenir à des enfants.
PG -13	Surveillance parentale fortement suggérée. Certains aspects peuvent être totalement inappropriés pour des enfants de moins de 13 ans.
R	Réservé aux adultes. Interdit aux mineurs de moins de 17 ans ou accompagnement par un adulte requis.
NC-17	Déconseillé aux mineurs de moins de 17 ans.
X	Pour adultes uniquement.

Classification des directives parentales TV

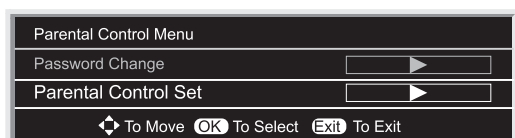
Classification	Description
AUCUNE	Non classifié.
TV-Y	Tous les enfants.
TV-Y7	Interdit aux enfants de moins de 7 ans.
TV-G	Tout public.
TV-PG	Surveillance parentale suggérée.
TV-14	Parents sérieusement mis en garde.
TV-MA	Adultes seulement.

Certaines des classifications des directives parentales TV basées sur une tranche d'âge spécifique ont aussi un classement en fonction du contenu.

Classification	Description
FV	Violence fictive.
L	Grossièretés.
S	Situations à caractère sexuel.
V	Violence.
D	Dialogues à caractère sexuel.

Pour paramétrer la classification :

- 1 Appuyer sur **MENU**.
- 2 Appuyer plusieurs fois sur **▼** ou **▲** pour sélectionner **Feature** (Fonctions), puis sur **OK** ou **▶** pour ouvrir le menu *Feature* (Fonctions).
- 3 Appuyer plusieurs fois sur **▼** ou **▲** pour sélectionner **Parental Control** (Contrôle parental), puis sur **OK** ou **▶** pour ouvrir le menu *Parental Control* (Contrôle parental).
- 4 Appuyer plusieurs fois sur **▼** ou **▲** pour sélectionner **Parental Control Set** (Configuration du contrôle parental), puis sur **OK** ou **▶** pour accéder aux paramètres de classification.

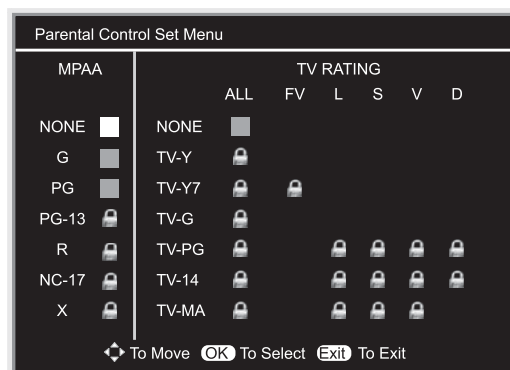


- 5 Entrer le mot de passe.

Remarque

Pour les mots de passe par défaut, voir « To set up a password: » page 44.

- 6 Appuyer sur **▼**, **▲**, **◀** ou **▶** pour sélectionner la classification, puis sur **OK** pour l'interdire ou l'autoriser.



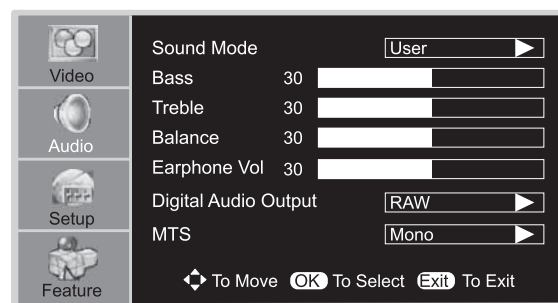
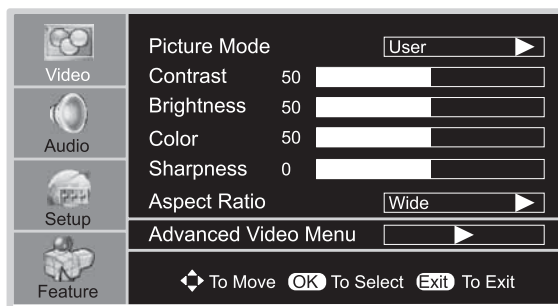
L'interdiction d'une classification entraîne l'interdiction de cette classification et de toutes les classifications supérieures à celle-ci.

Utilisation du menu d'écran

L'appareil est doté d'un menu d'écran qui permet de régler les paramètres du téléviseur, tels que l'image vidéo et le son.

Pour utiliser le menu d'écran :

- 1 Appuyer sur **MENU**.
- 2 Appuyer plusieurs fois sur **▼** ou **▲** pour sélectionner un menu.
- 3 Appuyer sur **▼**, **▲**, **◀** ou **▶** pour naviguer entre les options ou pour régler une option.



- 4 Appuyer sur **OK** ou **▶** pour confirmer un réglage, ouvrir un sous-menu ou défiler parmi les paramètres.
- 5 Appuyer sur **MENU** pour retourner au menu précédent ou sur **EXIT** (Quitter) pour fermer le menu d'écran.

Menus d'écrans

Menu d'écran	Options
Vidéo (Les options varient en fonction des différents modes disponibles).	<p>Picture Mode (Mode de l'image) – Sélectionne le mode de l'image : User (Utilisateur), Nature, Soft (Doux) ou Bright (Vif). Il est aussi possible d'appuyer sur PICTURE (Image) pour sélectionner le mode de l'image.</p> <p>Contrast (Contraste) – Augmente la définition de l'image pour régler les zones blanches de l'image. Diminue la définition de l'image pour en régler les zones noires.</p> <p>Brightness (Luminosité) – Augmente la luminosité pour ajouter plus de lumière aux zones sombres de l'image. Diminue la luminosité pour nuancer les zones claires de l'image.</p> <p>Color (Couleur) – Permet de régler la richesse de la couleur de l'image.</p> <p>Sharpness (Netteté) – Augmente la définition pour afficher une image plus nette et plus claire. Diminue la définition pour afficher une image plus fluide.</p> <p>Aspect Ratio (Format d'image) – Permet de modifier le format d'image : Wide (Panoramique), Cinema (Cinéma), Normal ou Zoom. Il est aussi possible d'appuyer sur ZOOM pour sélectionner le format d'image.</p> <p>Advanced Video Menu (Menu vidéo avancé) – Pour accéder aux fonctions avancées :</p> <ul style="list-style-type: none"> • Noise Reduction (Réduction du bruit) – Diminue les parasites (neige) de l'image. • Tint (Teinte) – Augmente le niveau de la couleur pour ajouter plus de vert aux tons chair. Diminue le niveau de la couleur pour ajouter plus de violet aux tons chair. • Color Temperature (Température de couleur) – Pour sélectionner un des trois réglages de couleur : Cool (Froide) pour plus de bleu, Warm (chaude) pour plus de rouge et Normal (Normale). • 3D Y/C (Y/C 3D) – Pour activer ou désactiver le filtre en peigne 3D. <p>VGA Set/Component Set (Réglage VGA/Réglage des composantes) – Si l'appareil est connecté à un ordinateur ou vidéo à composantes, permet la configuration des options suivantes :</p> <ul style="list-style-type: none"> • H-Pos (Position H) – Permet de régler les paramètres de la position horizontale de l'image. • V-Pos (Position V) – Permet de régler les paramètres de la position verticale de l'image. • Clock (Horloge) – Définit la fréquence d'échantillonnage. • Phase – Améliore la netteté d'une image fixe. • Setting (Réglage) – Réinitialise le mode VGA au défaut usine.

Menu d'écran	Options
Audio (Les options varient en fonction des différents modes disponibles).	<p>Sound Mode (Mode sonore) – Sélectionne le mode sonore : User (Utilisateur), News (Nouvelles), Music (Musique) ou Movie (Film). Il est aussi possible d'appuyer sur AUDIO pour sélectionner le mode sonore.</p> <p>Bass (Graves) – Règle les graves (notes basses).</p> <p>Treble (Aigus) – Règle les aigus (notes puissantes).</p> <p>Balance – Règle la balance des volumes entre les haut-parleurs droit et gauche.</p> <p>Earphone Vol (Volume de l'écouteur) – Règle le volume de l'écouteur.</p> <p>Digital Audio Output (Sortie numérique audio) – Permet de sélectionner le mode audio pour la prise S/PDIF.</p> <ul style="list-style-type: none"> • RAW (Brut) : Entrée AC-3 et sortie AC-3/Entrée PCM et sortie PCM. • PCM (<i>Pulse Code Modulation</i>) [Modulation par codage d'impulsions] : Entrée AC-3 et sortie PCM/Entrée PCM et sortie PCM. <p>MTS – Permet de sélectionner la transmission multivoie de signaux sonores en télévision (MTS) : Mono, Stereo (Stéréo) ou SAP (deuxième trame sonore). Il est aussi possible d'appuyer sur MTS/SAP pour sélectionner le mode MTS.</p> <p>Audio Language (Langue audio) – Permet de sélectionner une autre langue si le programme est doté de plus d'une langue.</p>
Configuration	<p>Tuning Band (Bande de syntonisation) – Permet de sélectionner la source du signal TV. Pour toute information complémentaire, voir « Selecting the TV source » page 41.</p> <p>DTV Signal (Signal TVN) – Affiche la puissance du signal TV numérique. Pour toute information complémentaire, voir « Checking the DTV signal strength » page 42.</p> <p>Auto Ch Search (Recherche automatique des canaux) – Configure automatiquement une liste des canaux disponibles localement. Pour toute information complémentaire, voir « Automatically setting up channels » page 41.</p> <p>Manual Ch Set (Réglage manuel des canaux) – Permet d'ajouter ou de supprimer des canaux de la liste des canaux. Pour toute information complémentaire, voir « Manually adding or deleting channels from the channel list » page 41.</p> <p>Channel Labels (Étiquettes de canaux) – Permet d'ajouter une étiquette à un canal. Pour toute information complémentaire, voir « Adding a channel label » page 42.</p>

Menu d'écran	Options
Caractéristique	<p>Source – Sélection de la source vidéo. Il est possible de sélectionner :</p> <ul style="list-style-type: none"> • TV • Composite1 • Composite2 • Component1 (Composante1) • Component2 (Composante2) • VGA • HDMI • S-Vidéo <p>Il est aussi possible d'appuyer sur INPUT (Entrée) pour sélectionner la source vidéo.</p> <p>Time Set (Réglage de l'horloge) – Pour régler l'horloge. Pour toute information complémentaire, voir « Setting the clock » page 43.</p> <p>Sleep Timer (Arrêt différé) – Pour configurer l'arrêt différé. Pour toute information complémentaire, voir « Setting the sleep timer » page 43.</p> <p>Parental Control (Contrôle parental) – Permet d'accéder aux paramètres de la puce anti-violence. Pour toute information complémentaire, voir « Setting parental controls » page 44.</p> <p>Closed Caption Options (Options des sous-titres codés) – Permet de personnaliser les sous-titres codés pour la diffusion numérique. Il est possible de régler la taille, la police de caractères, la couleur du texte, la transparence du texte, la couleur de fond, la transparence de fond, l'effet de la bordure et la couleur de la bordure.</p> <p>CC when Mute (Sous-titres codés pendant la mise en sourdine) – Affiche automatiquement les sous-titres codés pendant la mise en sourdine.</p> <p>Menu Language (Langue du menu) – Permet de sélectionner la langue de l'affichage du menu d'écran. Il est possible de sélectionner l'anglais, le français ou l'espagnol.</p>

- 5 Saisir le code à cinq chiffres du périphérique. Le témoin à DEL clignote chaque fois qu'un chiffre est saisi. Si le code est correct, le témoin à DEL clignote deux fois.

Remarque

Si le témoin à DEL ne clignote pas deux fois, répéter les étapes 3 à 5 en essayant un code différent.

- 6 Pointer la télécommande vers le périphérique, puis appuyer sur \odot . Le périphérique se met hors tension.

Remarque

Si le périphérique ne s'éteint pas, répéter les étapes 4 à 6 en essayant un code différent. Si aucun des codes dans la liste ne fonctionne, voir « Searching for a code » page 47.

- 7 Répéter les étapes 1 à 6 pour programmer d'autres périphériques.
- 8 Appuyer sur **SET** (Réglage) pour enregistrer le code et quitter le menu.

Remarque

Noter tous les codes qui fonctionnent pour référence ultérieure.

Recherche d'un code

Pour rechercher un code :

- 1 Appuyer sur la touche du périphérique.
- 2 Appuyer sans relâcher sur **SET** (Réglage) jusqu'à ce que le témoin à DEL clignote deux fois, puis relâcher.
- 3 Saisir **991**, puis le chiffre du groupe de périphérique (0 = câble, 1 = téléviseur, 2 = magnétoscope, 3 = audio). Le témoin à DEL clignote deux fois.
- 4 Pointer la télécommande vers le périphérique, puis appuyer sur \odot . Si le périphérique répond, aller à l'étape 7.
- 5 Si le périphérique ne répond pas, appuyer sur **CH+**. La télécommande essaiera le prochain code. Maintenir **CH+** appuyé jusqu'à ce que le périphérique réponde. Il est possible d'appuyer sur **CH-** pour essayer un code précédent.
- 6 Pour chercher le code d'un autre périphérique, répéter les étapes 1 à 5.
- 7 Appuyer sur **SET** (Réglage) pour enregistrer le code et quitter le menu.

Vérification du code

Si lors de la recherche d'un code, un périphérique a été programmé, il est recommandé de vérifier quel code à quatre chiffres est utilisé par la télécommande.

Pour vérifier le code :

- 1 Appuyer sur la touche du périphérique de la télécommande.
- 2 Appuyer sans relâcher sur **SET** (Réglage) jusqu'à ce que le témoin à DEL clignote deux fois, puis relâcher.
- 3 Saisir **990**. Le témoin à DEL clignote deux fois.

Programmation de la télécommande

Pour programmer un périphérique connecté à l'appareil

La télécommande peut contrôler quatre périphériques, tels qu'un magnétoscope, un lecteur de DVD, un récepteur câble ou satellite, un amplificateur ou syntoniseur, ainsi que d'autres périphériques similaires.

Pour programmer la télécommande :

- 1 Trouver le code pour le périphérique à programmer. Voir « Appendix » page 50 pour la liste des codes. S'il existe plus d'un code pour un périphérique, noter tous les codes.
- 2 Mettre le périphérique à programmer sous tension et charger le support si nécessaire, un disque DVD par exemple.
- 3 Appuyer sur la touche du périphérique concerné de la télécommande, par exemple, **DVD**, **CBL** ou **AUX**.
- 4 Appuyer sans relâcher sur **SET** (Réglage) de la télécommande jusqu'à ce que le témoin à DEL clignote deux fois, puis relâcher.

- 4 Appuyer sur **1** et compter les clignotements du témoin à DEL. Ceci est le premier chiffre du code (par exemple, si le témoin à DEL clignote deux fois, le premier chiffre est 2. Si le témoin à DEL ne clignote pas, le premier chiffre est 0).
- 5 Répéter l'étape 4 en utilisant **2** pour le second chiffre, **3** pour le troisième chiffre, **4** pour le quatrième chiffre et **5** pour le cinquième chiffre.
- 6 Appuyer sur **SET** (Réglage) pour quitter.

Programmation du verrouillage de volume

La télécommande est préréglée pour permettre de contrôler le volume de chaque périphérique connecté. Il est possible de changer le verrouillage de volume afin que le volume d'un périphérique contrôle le volume dans tous les modes.

Après avoir verrouillé le contrôle de volume, il est possible de déverrouiller le contrôle du volume d'un périphérique spécifique afin de contrôler le volume de ce dernier indépendamment.

Pour verrouiller la commande du volume d'un périphérique :

- 1 Appuyer sans relâcher sur **SET** (Réglage) jusqu'à ce que le témoin à DEL clignote deux fois, puis relâcher.
- 2 Saisir **993**, puis appuyer sur la touche du périphérique dont le contrôle de volume est nécessaire. Le témoin à DEL clignote deux fois. Quand les touches **VOL+**, **VOL-** ou **MUTE** (Sourdine) de la télécommande sont appuyées, le périphérique sélectionné contrôle le volume quel que soit le périphérique qui est utilisé.

Pour déverrouiller la commande du volume :

- 1 Appuyer sans relâcher sur **SET** (Réglage) jusqu'à ce que le témoin à DEL clignote deux fois, puis relâcher.
- 2 Saisir **993**, puis appuyer sur **VOL+**. Le témoin à DEL clignote quatre fois. Le contrôle du volume est déverrouillé.

Pour déverrouiller le contrôle du volume d'un seul périphérique :

- 1 Appuyer sur la touche du périphérique.
- 2 Appuyer sans relâcher sur **SET** (Réglage) jusqu'à ce que le témoin à DEL clignote deux fois, puis relâcher.
- 3 Saisir **993**, puis appuyer sur **VOL+**. Le témoin à DEL clignote quatre fois. La commande du volume pour le périphérique sélectionné est déverrouillée.

- Ne pas placer l'appareil sous la lumière solaire directe ou à proximité d'une source de chaleur.

Nettoyage de l'appareil

Nettoyer l'écran et le boîtier avec un chiffon doux et non pelucheux. Si l'écran ou le boîtier est extrêmement sale, humidifier un chiffon doux et non-pelucheux avec un détergent doux dilué, le presser pour extraire autant d'humidité, puis essuyer l'écran ou le boîtier. Sécher l'écran ou le boîtier avec un chiffon propre.

Attention

Éviter ce qui suit car cela pourrait endommager l'appareil :

- Le nettoyage de l'appareil avec toutes substances volatiles, telles que les insecticides, les solvants et les diluants.
- Le contact avec des articles en caoutchouc ou en PVC pour une durée prolongée.
- Les gouttes d'eau dans le boîtier

Problèmes et solutions

Avertissement

L'utilisateur ne doit pas essayer de réparer cet appareil lui-même. Toutes les réparations doivent être effectuées par du personnel qualifié.

Anomalie	Solution possible
Pas d'alimentation.	<ul style="list-style-type: none"> • Vérifier que le cordon d'alimentation est connecté à l'appareil et à une prise secteur. • Débrancher le cordon d'alimentation, attendre 60 secondes, puis le rebrancher et mettre l'appareil en marche.
Absence d'image.	<ul style="list-style-type: none"> • Vérifier que les câbles vidéo sont correctement connectés à l'arrière de l'appareil. • Régler le contraste et la luminosité. • Vérifier que le mode vidéo correct est sélectionné. • Vérifier que le signal d'entrée est compatible.
Bonne image mais pas de son	<ul style="list-style-type: none"> • Augmenter le volume. • Vérifier que le son n'est pas mis en sourdine. • Vérifier que le mode audio correct est sélectionné.
Bonne qualité du son, mais les couleurs sont médiocres	<ul style="list-style-type: none"> • Régler le contraste, la couleur et la luminosité.
Image de mauvaise qualité	<ul style="list-style-type: none"> • Vérifier que la luminosité de la pièce n'est pas trop forte. La lumière réfléctée par l'écran peut rendre l'image difficile à voir. • Si une caméra S-VHS ou un caméscope est connecté alors qu'un autre périphérique branché est sous tension, l'image peut être médiocre. Éteindre un ou plusieurs périphériques.
Ligne pointillée horizontale	<ul style="list-style-type: none"> • Le téléviseur est éventuellement trop proche d'un appareil électrique tel qu'un sèche-cheveux ou une lumière au néon. Éteindre l'appareil ou déplacer le téléviseur.

Entretien

- Ne pas utiliser cet appareil dans des endroits trop chaud ou trop froid, cela pourrait déformer le boîtier ou entraîner un fonctionnement défectueux.
 - Température de stockage : 32 à 122 °F (0 à 50 °C).
 - Température en fonctionnement : 41 à 104 °F (5 à 40 °C).

Anomalie	Solution possible
La télécommande ne marche pas	<ul style="list-style-type: none"> Appuyer sur la touche TV. Remplacer les piles. Veiller à ce que les pôles + et – des piles coïncident avec les indications + et – figurant à l'intérieur du compartiment. Nettoyer le capteur de télécommande situé sur la partie avant du téléviseur. Une lumière forte ou fluorescente peut interférer avec le signal de la télécommande. Éteindre la lumière ou déplacer le téléviseur.
Image neigeuse et bruitée	<ul style="list-style-type: none"> Vérifier que les câbles audio-vidéo (A/V) sont fermement connectés.
L'image VGA est instable ou non synchronisée	<ul style="list-style-type: none"> Vérifier que le mode VGA de l'ordinateur est correct.
Pas de sortie sonore sur l'un des haut-parleurs	<ul style="list-style-type: none"> Régler la balance dans le menu <i>Sound</i> (Son).
Les touches de commande ne fonctionnent pas	<ul style="list-style-type: none"> Débrancher le cordon d'alimentation, attendre quelques secondes puis rebrancher le cordon et rallumer le téléviseur.
Image rémanente	<ul style="list-style-type: none"> Ne pas afficher une image fixe telle qu'un logo, un jeu ou une image d'ordinateur pendant une période prolongée. Ceci peut provoquer l'incrustation d'une image rémanente sur l'écran. Ces dommages ne sont pas couverts par la garantie.
Le téléviseur émet des craquements	<ul style="list-style-type: none"> Les craquements se produisent quand le châssis du téléviseur se dilate ou se contracte sous l'effet de variations de températures. Ceci est normal.
Télécommande	
Le témoin à DEL ne clignote pas quand une touche est appuyée	Remplacer les piles.
Le témoin à DEL clignote quand une touche est appuyée mais le périphérique ne répond pas	S'assurer d'être à moins de 15 pi (4,6 mètres) du périphérique et de pointer la télécommande vers le capteur de télécommande du périphérique.
Le témoin à DEL reste allumé	Une touche a été incorrectement appuyée. Recommencer de nouveau la procédure.
La télécommande ne contrôle pas un périphérique ou ne commande que certaines fonctionnalités de celui-ci	Vérifier que le périphérique est doté d'un capteur de télécommande, puis essayer un autre code.
Pas de volume sur le périphérique	Voir « Programming the volume lock » page 48.

Spécifications

- La conception et les spécifications sont sujettes à modifications sans avis préalable.
- Le poids et les dimensions indiqués sont approximatifs.

Alimentation	100 à 240 V CA, 50/60 Hz
Consommation électrique	200 W
Écran	37 pouces
Canaux accessibles	VHF : 2 à 13 UHF : 14 à 69 TV câblée : 1 à 125 CADTV : 1 à 135 TVN : 2 à 69
Poids	70,4 lb (31,93 kg)
Dimensions L x H x P	37,2 x 28,9 x 12,2 pouces (944,9 x 734,1 x 309,9 mm)
Température :	Stockage – 32 à 122°F (0 à 50°C). En fonctionnement – 41 à 104°F (5 à 40°C).
Standard TV	NTSC-M, ATSC
Accessoires	Guide de l'utilisateur Télécommande Piles (2 AA)

Annexe

Codes de l'amplificateur audio

Bose	30674
GE	30078
JVC	30331
Marantz	30321
Nakamichi	30321
NEC	30264
Optimus	30395
Realistic	30395
Sansui	30321
Shure	30264
Sony	30689
Soundesign	30078
Victor	30331
Wards	30078
Yamaha	30354, 30133

RadioShack	31263
RCA	31023, 31609, 31254, 30531, 31074
Sharper Image	31263
Silsonic	30176
Sony	31258, 31759
Soundesign	30670
Stereophonics	31023
Sunfire	31313
Teac	31074, 31267
Technics	31308, 31518, 30039
Thorens	31189
Victor	30074
Wards	30014
Yamaha	30176, 31276, 31176

Codes de l'amplificateur/syntoniseur audio

ADC	30531
Aiwa	31405, 31243, 30121
Anam	31609, 31074
Audiotronic	31189
Bose	31229
Capetronic	30531
Carver	31189
Coby	31263
Denon	31360, 31142, 30904
Fonmix	31360
Glory Horse	31263
Harman/Kardon	30110
Hitachi	31273
Inkel	30027
Integra	30135
JBL	30110
JVC	30074, 31263
Kenwood	31313, 31570, 30027
KLH	31428
Magnavox	31189, 31269, 30531
Marantz	31189, 31269, 30039
MCS	30039
Onkyo	30842, 30135
Optimus	31023, 30670, 30531, 31074
Panasonic	31518, 30039
Philips	31189, 31269
Pioneer	31023, 30150, 30014, 30630, 30531
Proscan	31254
Qisheng	31609
Quasar	30039

Codes du décodeur câble

ABC	00003, 00008, 00014
Americast	00899
Bell & Howell	00014
Bell South	00899
Clearmaster	00883
ClearMax	00883
Coolmax	00883
Daeryung	01877, 00877, 00477, 00008
Digi	00637
Director	00476
Dumont	00637
Gehua	00476
General Instrument	00476, 00810, 00276, 00003, 00014
GoldStar	00144
Hamlin	00009, 00273
Hitachi	00014
Jerrold	00476, 00810, 00276, 00003, 00012, 00014
KNC	00008
LG	00144
Memorex	00000
Motorola	00476, 00810, 00276, 01254, 01376
MultiVision	00012
Pace	01877, 00237
Panasonic	00000, 00008, 00107
Panther	00637
Paragon	00000
Philips	00317, 01305
Pioneer	01877, 00877, 00144, 00533
Pulsar	00000
Quasar	00000
RadioShack	00883
Regal	00279, 00273
Runco	00000

Samsung	00000, 00144
Scientific Atlanta	01877, 00877, 00477, 00008
Sony	01006
Starcom	00003, 00014
Supercable	00276
Supermax	00883
Tocom	00012
Torx	00003
Toshiba	00000
Trans PX	00276
Tristar	00883
TS	00003
V2	00883
Viewmaster	00883
Vision	00883
Vortex View	00883
Zenith	00000, 00525, 00899

Pioneer	31063, 31062, 30032
Polk Audio	30157
Proton	30157
QED	30157
Quad	30157
Quasar	30029
RadioShack	31075
RCA	31062, 30032, 30420, 30179, 30053
Realistic	30420, 30179
Rotel	30157, 30420
SAE	30157
Sansui	30157
Sanyo	30179
SAST	30157
Sharp	30861, 30037
Silsonic	30888, 30036
Sonic Frontiers	30157
Sony	30490, 30000, 30100
Soundesign	30145
TAG McLaren	30157
Tascam	30420
Teac	30420
Technics	30029
Victor	30072
Wards	30157, 30053
Yamaha	30888, 30036
Zonda	30157

Codes du lecteur de CD

Aiwa	30157
Burmester	30420
California Audio Labs	30029
Carver	30157, 30179
Denon	30873
DKK	30000
DMX Electronics	30157
Dynamic Bass	30179
Fisher	30179
Garrard	30420
Genexxa	30032
Harman/Kardon	30157, 30173
Hitachi	30032
Integra	30101
JVC	30072
Kenwood	30826, 30626, 30028, 30037, 30036, 30190
Krell	30157
Linn	30157
Magnavox	30157
Marantz	30626, 30029, 30157
MCS	30029
Miro	30000
Mission	30157
MTC	30420
NSM	30157
Onkyo	30868, 30101
Optimus	31063, 30000, 30032, 30037, 30420, 30179, 31075, 30145
Panasonic	30029
Parasound	30420
Philips	30626, 30157

Codes du lecteur de DVD

Aiwa	20641, 21912
Akai	20770
Allegro	20869
Apex Digital	20672, 20717, 20797, 21061, 20796, 21056, 21937, 20794, 21020, 21915
Blaupunkt	20717
Blue Parade	20571
Broksonic	20695
Changhong	20627, 21061
CineVision	20869
Coby	21086
Curtis Mathes	21087
CyberHome	21024, 21023, 21129, 20816, 21117
Daewoo	20833, 21172, 20869
Denon	20490
DVD2000	20521
Emerson	20591, 20675
Entreprise	20591
Fisher	21919
Funai	20675
Gateway	21158, 21073
GE	20522, 20717

Go Video	20744, 20833, 21099, 20783, 21075, 20869, 21730
Greenhill	20717
Harman/Kardon	20582, 20702
Hitachi	20573, 20664, 21919
Hiteker	20672
Initial	20717
Integra	20627, 21924
JBL	20702
JVC	20558, 20623, 20867
Kenwood	20490, 20534
KLH	20717, 21020, 21149
Koss	20651, 21980
Lasonic	20798
LG	20591, 20869, 20801
Liquid Video	21980
Lite-On	21158, 21058
Loewe	20511
Magnavox	20503, 20539, 21976, 21914, 20675
Marantz	20539
Memorex	20695
Microsoft	20522
Mintek	20717
Mitsubishi	21521, 20521
Nesa	20717
Norcent	21003
Onkyo	20503, 20627, 21924, 20792
Oritron	20651, 21980
Panasonic	20490, 21762, 21990
Philips	20503, 20539, 20646, 21914
Pioneer	20525, 20571
Polaroid	21086, 21061
Polk Audio	20539
Portland	20770
Proscan	20522
Qwestar	20651
RCA	20522, 20571, 20717, 20822
Rio	20869
Rotel	20623
Sampo	20752, 20698
Samsung	20490, 20573, 21932, 21075, 20820
Sansui	20695
Sanyo	20695
Sharp	20630, 20752
Sharper Image	21117
Sherwood	20770
Shinco	20717
Shinsonic	20533
Sonic Blue	20869, 21099
Sony	20533, 20864, 21033, 21904, 21903
SVA	20717
Sylvania	20675

Symphonic	20675
Teac	20717, 21984, 20809
Technics	20490
Theta Digital	20571
Toshiba	20503, 20695
Urban Concepts	20503
Xbox	20522
Yamaha	20490, 20539, 20545
Zenith	20503, 20591, 20869

Codes du récepteur satellite

AlphaStar	00772
Chaparral	00216
Crossdigital	01109
DirecTV	00392, 00566, 00639, 01142, 00247, 00749, 01749, 00724, 00819, 01856, 01076, 01109, 00099, 01392, 01640, 01442, 01414, 01108
Dish Network System	01005, 00775, 01505
Dishpro	01005, 00775, 01505
Echostar	01005, 00775, 01505
Expressvu	00775
GE	00566
General Instrument	00869
GOI	00775
Goodmans	01246
Hisense	01535
Hitachi	00819, 00222, 01250
HTS	00775
Hughes Network Systems	01142, 00749, 01749, 01442
I-Lo	01535
JVC	00775
LG	01414, 01226
Magnavox	00724, 00722
Memorex	00724
Mitsubishi	00749
Motorola	00869
NEC	01270
Next Level	00869
Panasonic	00247, 00701
Paysat	00724
Philips	01142, 00749, 01749, 00724, 01076, 00722, 00099, 01442
Proscan	00392, 00566
Proton	01535
RadioShack	00869
RCA	00392, 00566, 00855, 00143, 01392
Samsung	01276, 01109, 01108
Sanyo	01219
SKY	00856

Sony	00639, 01640
Star Choice	00869
Tivo	01142, 01442
Toshiba	00749, 01749, 00790, 01285
Ultimate TV	01640, 01392
Uniden	00724, 00722
US Digital	01535
USDTV	01535
Voom	00869
Zenith	00856, 01856

Fujitsu	20045
Gateway	21972
GE	20060, 20035, 20240
General	20045
Go Video	20432
GoldStar	20037, 20209, 20038, 20225
Haojie	20240
Harman/Kardon	20081, 20038
Harwood	20072
Hewlett Packard	21972
HI-Q	20047
Hitachi	20037, 20042, 20055
Howard Computers	21972
HP	21972
Hughes Network Systems	20042, 20739
iBUYPOWER	21972
JVC	20045, 20067
KEC	20037, 20278
Kenwood	20067, 20038
KLH	20072
Kodak	20035, 20037
Kolin	20043, 20037, 20045, 20042, 20209, 20038
Logik	20072
LXI	20037
Magnavox	20035, 20039, 20081
Magnin	20240
Marantz	20035, 20081
Marta	20037
Matsushita	20035, 20162
Media Center PC	21972
MEI	20035
Memorex	20035, 20162, 20037, 20048, 20039, 20047, 20240, 20104, 20209, 20479
MGA	20240, 20043
MGN Technology	20240
Microsoft	21972
Mind	21972
Minolta	20042
Mitsubishi	20067, 20043
Motorola	20035, 20048
MTC	20240
Multitech	20072
NEC	20035, 20037, 20048, 20104, 20067, 20038
Newave	20037
Nikko	20037
Noblex	20240
Northgate	21972
Olympus	20035
Optimus	21062, 20162, 20037, 20048, 20104, 20432

Codes du magnétoscope

ABS	21972
Admiral	20048, 20209
Aiko	20278
Aiwa	20037, 20479
Alienware	21972
America Action	20278
American High	20035
Amoisonic	20479
Anam	20162, 20037, 20240, 20278
Anam National	20162
Asha	20240
Audiovox	20037, 20278
Beaumarck	20240
Bell & Howell	20104
Broksonic	20184, 20121, 20209, 20002, 20479
Calix	20037
Canon	20035
Carver	20081
CCE	20072, 20278
Changhong	20048, 20081
Citizen	20037, 20278
Colt	20072
Craig	20037, 20047, 20240, 20072
Curtis Mathes	20060, 20035, 20162
Cybernex	20240
CyberPower	21972
Daewoo	20045, 20104, 20278
Dell	21972
Denon	20042
DirectTV	20739
Durabrand	20039, 20038
Electrohome	20037
Electrophonic	20037
Emerex	20032
Emerson	20035, 20037, 20184, 20240, 20045, 20121, 20043, 20209, 20002, 20278, 20479
Fisher	20047, 20104
Fuji	20035, 20033

Orion	20184, 20209, 20002, 20479
Panasonic	21062, 20035, 20162, 20616, 20225
Penney	20035, 20037, 20240, 20042, 20038
Pentax	20042
Philco	20035, 20479
Philips	20035, 20081, 20739, 20618
Pilote	20037
Pioneer	20042, 20067
Polk Audio	20081
Profitronic	20240
Proscan	20060
Protec	20072
Pulsar	20039
Qisheng	20060
Quasar	20035, 20162
Radix	20037
Randex	20037
RCA	20060, 20035, 20240, 20042, 20880
Realistic	20035, 20037, 20048, 20047, 20104
ReplayTV	20616
Runco	20039
Sampo	20037, 20048
Samsung	20240, 20045, 20432
Sanky	20048, 20039
Sansui	20067, 20209, 20479
Sanyo	20047, 20240, 20104
Scott	20184, 20045, 20121, 20043
Sears	20035, 20037, 20047, 20042, 20104
Sharp	20048, 20209
Shintom	20072
Shogun	20240
Singer	20072
Sonic Blue	20616
Sony	20035, 20032, 20033, 20636, 21972
STS	20042
Sylvania	20035, 20081, 20043
Systemax	21972
Tagar Systems	21972
Tashiko	20037
Tatung	20045, 20067
Technics	20035, 20162
Teco	20035, 20037, 20048, 20038
Teknika	20035, 20037
Tivo	20636, 20618, 21503, 20739
TMK	20240
Toshiba	20045, 20042, 20067, 20043, 21503, 21008, 21972
Totevision	20037, 20240
Touch	21972
Unitech	20240
Vector	20045
Vector Research	20038

Victor	20067
Video Concepts	20045
Videomagic	20037
Videosonic	20240
Viewsonic	21972
Wards	20060, 20035, 20048, 20047, 20081, 20240, 20042, 20072
White Westinghouse	20209, 20072
XR-1000	20035, 20072
Yamaha	20038
Zenith	20039, 20033, 20209, 20479
ZT Group	21972

Avis juridiques

Droits d'auteurs

© 2006 Insignia. Insignia et le logo Insignia sont des marques de commerce de Best Buy Enterprise Services, Inc. Les autres noms de marques et de produits mentionnés sont des marques de commerce ou des marques déposées de leurs propriétaires respectifs. Les spécifications et caractéristiques sont susceptibles d'être modifiées sans préavis.

Garantie

Garantie limitée d'un an

Insignia Products ("Insignia") garantit au premier acheteur de ce Téléviseur ACL de 37 po neuf ("Produit"), qu'il est exempt de vices de fabrication et de main-d'œuvre à l'origine, pour une période d'un (1) an à partir de la date d'achat du Produit ("Période de garantie"). Ce produit doit avoir été acheté chez un revendeur agréé des produits de la marque Insignia et emballé avec cette déclaration de garantie. Cette garantie ne couvre pas les Produits remis à neuf. Les conditions de la présente garantie s'appliquent à tout Produit pour lequel Insignia est notifié, pendant la Période de garantie, d'un vice couvert par cette garantie qui nécessite une réparation.

Quelle est la durée de la couverture ?

La Période de garantie dure 1 an (365 jours) à compter de la date d'achat de ce Produit. La date d'achat est imprimée sur le reçu fourni avec le Produit.

Que couvre cette garantie ?

Pendant la Période de garantie, si un vice de matériau ou de main-d'œuvre d'origine est détecté sur le Produit par un service de réparation agréé par Insignia ou le personnel du magasin, Insignia (à sa seule discrétion) : (1) réparera le Produit en utilisant des pièces détachées neuves ou remises à neuf ; ou (2) remplacera le Produit par un produit ou des pièces neuves ou remises à neuf de qualité comparable. Les produits et pièces remplacés au titre de cette garantie deviennent la propriété d'Insignia et ne sont pas retournés à l'acheteur. Si les Produits ou pièces nécessitent une réparation après l'expiration de la Période de garantie, l'acheteur devra payer tous les frais de main d'œuvre et les pièces. Cette garantie reste en vigueur tant que l'acheteur reste propriétaire du Produit Insignia pendant la Période de garantie. La garantie prend fin si le Produit est revendu ou transféré d'une quelconque façon que ce soit à tout autre propriétaire.

Comment obtenir une réparation sous garantie ?

Si le Produit a été acheté chez un détaillant, le rapporter accompagné du reçu original chez ce détaillant. S'assurer de remettre le Produit dans son emballage d'origine ou dans un emballage qui procure la même qualité de protection que celui d'origine. Si le Produit a été acheté en ligne, l'expédier accompagné du reçu original à l'adresse indiquée sur le site Web. S'assurer de remettre le Produit dans son emballage d'origine ou dans un emballage qui procure la même qualité de protection que celui d'origine.

Où cette garantie s'applique-t-elle ?

Cette garantie ne s'applique qu'à l'acheteur original du Produit aux États-Unis et au Canada.

Ce qui n'est pas couvert par cette garantie limitée

La présente garantie ne couvre pas :

- la formation du client ;
- l'installation ;
- les réglages de configuration ;
- les dommages esthétiques ;
- les dommages résultants de catastrophes naturelles telles que la foudre ;
- les accidents ;
- une utilisation inadaptée ;
- une manipulation abusive ;
- la négligence ;
- une utilisation commerciale ;
- la modification de tout ou partie du Produit, y compris l'antenne.

La présente garantie ne couvre pas non plus :

- les dommages ayant pour origine une utilisation ou une maintenance défectueuse ;
- la connexion à une source électrique dont la tension est inadéquate ;
- Toute réparation effectuée par quiconque autre qu'un service de réparation agréé par Insignia pour la réparation du Produit
- les Produits vendus en l'état ou hors service ;
- les consommables tels que les fusibles ou les piles ;
- les produits dont le numéro de série usine a été altéré ou enlevé du Produit.

LA RÉPARATION OU LE REMPLACEMENT, TELS QU'OFFERTS PAR LA PRÉSENTE GARANTIE, CONSTITUENT LE SEUL RECOURS DE L'ACHETEUR. INSIGNIA NE SAURAIT ÊTRE TENU POUR RESPONSABLE DE DOMMAGES ACCESSOIRES OU CONSÉCUTIFS, RÉSULTANT DE L'INEXÉCUTION D'UNE GARANTIE EXPRESSE OU IMPLICITE SUR CE PRODUIT, Y COMPRIS, SANS S'Y LIMITER, LA PERTE DE DONNÉES, L'IMPOSSIBILITÉ D'UTILISER LE PRODUIT, L'INTERRUPTION D'ACTIVITÉ OU LA PERTE DE PROFITS. INSIGNIA PRODUCTS N'OCTROIE AUCUNE AUTRE GARANTIE EXPRESSE RELATIVE À CE PRODUIT ; TOUTES LES GARANTIES EXPRESSES OU IMPLICITES POUR CE PRODUIT, Y COMPRIS MAIS SANS LIMITATION, TOUTE GARANTIE DE QUALITÉ MARCHANDE, D'ADÉQUATION À UN BUT PARTICULIER, SONT LIMITÉES À LA PÉRIODE DE GARANTIE APPLICABLE TELLE QUE DÉCRITE CI-DESSUS ET AUCUNE GARANTIE EXPRESSE OU IMPLICITE, NE S'APPLIQUERONT APRÈS LA PÉRIODE DE GARANTIE. CERTAINS ÉTATS ET PROVINCES NE RECONNAISSANT PAS LES LIMITATIONS DE LA DURÉE DE VALIDITÉ DES GARANTIES IMPLICITES. PAR CONSÉQUENT, LES LIMITATIONS SUSMENTIONNÉES PEUVENT NE PAS S'APPLIQUER À L'ACHETEUR ORIGINAL. LA PRÉSENTE GARANTIE DONNE À L'ACHETEUR DES GARANTIES JURIDIQUES SPÉCIFIQUES ; IL PEUT AUSSI BÉNÉFICIER D'AUTRES GARANTIES QUI VARIENT D'UN ÉTAT OU D'UNE PROVINCE À L'AUTRE.

Televisor Insignia NS-37LCD con Pantalla LCD de 37"

Contenido

Información de seguridad	57
Características	59
Preparación de su televisor	62
Uso del televisor	67
Programación del control remoto	74
Mantenimiento	75
Localización y corrección de fallas	75
Especificaciones	76
Apéndice	77
Avisos legales	81
Garantía	83

Información de seguridad

Advertencia

Para reducir el riesgo de choque eléctrico, no retire la cubierta o la parte posterior. No existen partes reparables por el usuario en el interior. Para realizar reparaciones, acuda al personal de servicio calificado.

Para reducir el riesgo de incendio o choque eléctrico, no exponga su televisor a la lluvia o la humedad.

Cuidado

Para evitar un choque eléctrico, introduzca la clavija ancha del enchufe del cable de alimentación en la ranura ancha de un tomacorriente. Si el enchufe no entra, solicite a un electricista calificado con licencia que cambie el tomacorriente obsoleto. No modifique el enchufe del cable de alimentación ya que se anulará esta característica de seguridad.



Este símbolo indica que voltaje peligroso que puede constituir un riesgo de choque eléctrico se encuentra presente dentro de su televisor. Esta etiqueta se encuentra ubicada en la parte posterior de su televisor.



Este símbolo indica que hay instrucciones importantes de operación y mantenimiento en la literatura que acompaña a su televisor.

Advertencia

Su televisor utiliza soldadura de estaño y plomo y una lámpara fluorescente que contiene una pequeña cantidad de mercurio. El deshecho de estos materiales debe ser regulado por razones ambientales. Para obtener información sobre el deshecho o reciclaje, póngase en contacto con sus autoridades locales o la Alianza de Industrias Electrónicas en el sitio web www.eia.org.

Lea las instrucciones

Lea todas las instrucciones de seguridad y operación antes de usar su televisor.

Guarde las instrucciones

Conserve las instrucciones de seguridad y operación para referencia futura.

Siga las advertencias y las instrucciones

Preste atención a todas las advertencias sobre su televisor y las instrucciones de operación. Siga todas las instrucciones de operación y uso.

Agua y humedad

No use su televisor cerca del agua. Por ejemplo, no lo use cerca de una bañera, lavabo, fregadero de cocina o lavadero, en un sótano mojado o cerca de una piscina.

Limpieza

Desconecte su televisor antes de limpiarlo. No use productos de limpieza líquidos o en aerosol. Use solamente un paño húmedo para limpiar el exterior de su televisor.

Ventilación

Las ranuras y aberturas en el gabinete y en la parte posterior o en la base se proporcionan con fines de ventilación, operación confiable y protección contra sobrecalentamiento. Estas aberturas no se deben bloquear ni cubrir. No cubra las aberturas al colocar su televisor sobre una cama, sofá, alfombra, o cualquier otra superficie parecida. No coloque su televisor cerca o sobre un radiador o calefactor. No coloque su televisor en una instalación integrada, tal como un librero o estante, a menos que se provea una ventilación adecuada o siga las instrucciones del fabricante.

Calor

Asegúrese de que su televisor se encuentre alejado de fuentes de calor tal como radiadores, calefactores, estufas u otros productos (incluyendo amplificadores) que produzcan calor.

Conexión a tierra o polarización

No anule el propósito de seguridad del enchufe con polarización o con conexión a tierra. Un enchufe polarizado tiene dos espigas una más ancha que la otra. Un enchufe del tipo de conexión a tierra tiene dos espigas y una clavija de tierra. La espiga ancha y la clavija de tierra se proveen para su seguridad. Si el enchufe no cabe, póngase en contacto con un electricista para reemplazar el tomacorriente obsoleto.

Protección del cable de alimentación

Los cables de alimentación deben colocarse de manera que no se pisen o sean aplastados por artículos colocados sobre ellos o contra ellos. Preste atención especial a los cables en los enchufes, en los receptáculos auxiliares y en el punto en el que salen de su televisor.

Aditamentos

No use aditamentos que no hayan sido recomendados por Insignia ya que podrían causar peligros.

SopORTE

No coloque su televisor en un carro, base, trípode, soporte o mesa inestable. Su televisor se podría caer y sufrir daños importantes, además de causar serias lesiones personales. Usar solamente con carros, bases, trípodes, soportes, o mesas especificadas por el fabricante o que se vendan con el televisor. Si monta su televisor en la pared, siga las instrucciones del fabricante y use un accesorio de montaje recomendado por el fabricante. La combinación del televisor y un carro debe moverse con cuidado. Las paradas repentinas, la fuerza excesiva y las superficies irregulares pueden causar que su televisor y el carro se volteen de lado.

Rayos

Para protección adicional del receptor de TV durante una tormenta eléctrica, o cuando se deje sin supervisión o sin usar por largos periodos de tiempo, desconéctelo del tomacorriente y desconecte la antena o el sistema de cable. Esto ayudará a evitar daños a su televisor debido a relámpagos o sobretensiones en las líneas de alimentación.

Reparación

No trate de reparar este televisor usted mismo, ya que abrir o quitar las cubiertas puede exponerlo a voltajes peligrosos u otros peligros. Encomiende todas las reparaciones al personal de servicio calificado.

Piezas de repuesto

Cuando se necesitan repuestos, asegúrese de que el técnico de reparación use repuestos especificados por el fabricante o que tengan las mismas características que la pieza original. Las substituciones no autorizadas pueden resultar en incendio, choque eléctrico, lesiones personales u otros peligros.

Sobrecarga

No sobrecargue los tomacorrientes y los cables de extensión ya que esto resultará en riesgo de incendio o choque eléctrico.

Ingreso de objetos y líquidos

Nunca inserte objetos de ningún tipo en su televisor a través de las ranuras, ya que estos pueden tocar puntos de voltaje peligrosos o hacer cortocircuito con otros componentes, lo cual puede causar un incendio o choque eléctrico. Nunca derrame líquidos de ninguna clase sobre su televisor.

Daños que requieren reparación

Desconecte este televisor del tomacorriente y encomiende su reparación a personal calificado bajo las siguientes condiciones:

- Cuando el cable de alimentación o el enchufe se dañe o se pele.
- Si se ha derramado líquido u objetos han caído dentro de su televisor.
- Si el televisor ha sido expuesto a la lluvia o al agua.

- Si su televisor no funciona normalmente aún siguiendo las instrucciones de operación. Ajuste únicamente los controles que están cubiertos en las instrucciones de operación, ya que el ajuste incorrecto de otros controles puede resultar en daño y frecuentemente requerirá trabajo intensivo de un técnico calificado para restaurar la operación normal del televisor.
- Si su televisor se ha caído o dañado de cualquier forma.
- Cuando su televisor exhiba un cambio significativo en el rendimiento.

Piezas de repuesto

Cuando se necesitan repuestos, asegúrese de que el técnico de reparación use repuestos especificados por el fabricante o que tengan las mismas características que la pieza original. Las substituciones no autorizadas pueden resultar en incendio, choque eléctrico, lesiones personales u otros peligros.

Verificación de seguridad

Después de completar la revisión o reparación de este televisor, pídale al técnico de servicio que realice verificaciones de seguridad para determinar que el televisor se encuentra en perfecto estado de funcionamiento.

Fuente de alimentación

Su televisor debe funcionar únicamente con el tipo de fuente de alimentación indicada en la etiqueta de marca. Si no esta seguro del tipo de fuente de alimentación que hay en su casa, consulte con el vendedor de su televisor o la compañía de energía local.

Protección de la pantalla

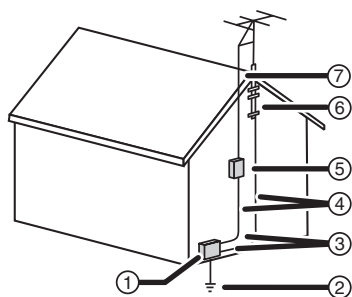
La pantalla de su televisor está hecha de vidrio. No deje caer su televisor o golpee la pantalla de vidrio. Si la pantalla se quiebra, tenga cuidado al recoger el vidrio.

Defecto de píxel

La pantalla de su televisor está diseñada para mostrar imágenes finamente detalladas. Ocasionalmente unos cuantos píxeles inactivos pueden aparecer en la pantalla como puntos fijos de color azul, verde o rojo. Este no es un defecto y no afecta el rendimiento de su televisor.

Conexión a tierra de la antena exterior

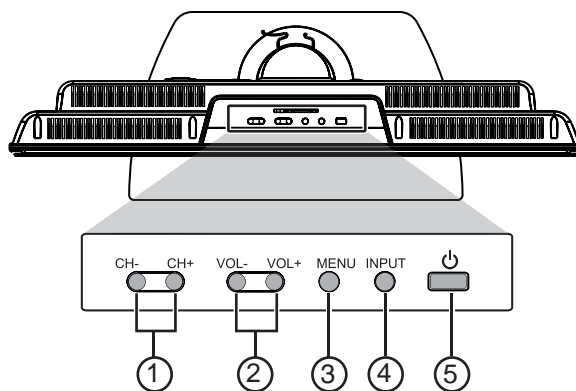
Sí una antena externa o un sistema de cable esta conectado al televisor, asegúrese de que la antena o el sistema de cable esta conectado a tierra, para proveer una protección contra sobre voltajes y la acumulación de cargas estáticas. El artículo 810 del código nacional eléctrico, ANSI/NFPA No. 70-1984 proporciona información con respecto a la correcta conexión a tierra del poste y la estructura de soporte, la conexión a tierra del alambre principal de una unidad de descarga de antena, el tamaño de los conductores de la conexión a tierra, la ubicación de la unidad de descarga de antena, la conexión a los electrodos de conexión a tierra y los requisitos para el electrodo de conexión a tierra.



1	Equipo de servicio eléctrico
2	Sistemas de electrodos de tierra para el servicio de alimentación eléctrica
3	Abrazaderas de tierra
4	Conductores de conexión a tierra
5	Unidad de descarga de antena
6	Abrazadera de tierra
7	Cable conductor de entrada de antena

Nota para el instalador del sistema CATV
 Este recordatorio se proporciona para que el instalador del sistema CATV preste atención al Artículo 820-40 del NEC el cual proporciona pautas para una correcta conexión a tierra y, en particular, especifica que la conexión a tierra del cable debe estar conectada al sistema de tierra de la edificación, tan cerca al punto de entrada del cable como sea práctico.

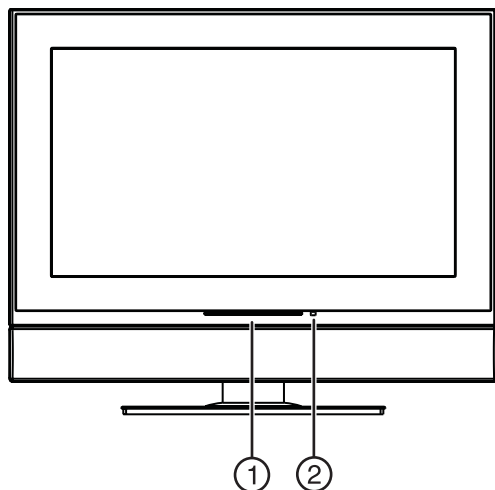
Parte superior



#	Control	Descripción
1	CANAL+/ CANAL-	Presione estos botones para cambiar el canal. En el menú de pantalla, permiten seleccionar menús y opciones.
2	VOLUMEN+/ VOLUMEN-	Permiten subir o bajar el volumen. En el menú de pantalla, permiten ajustar un control o cambiar un valor.
3	MENÚ	Presione para acceder o cerrar el menú de pantalla.
4	ENTRADA	Permite seleccionar la entrada de video.
5	Encendido	Permite encender o apagar su televisor.

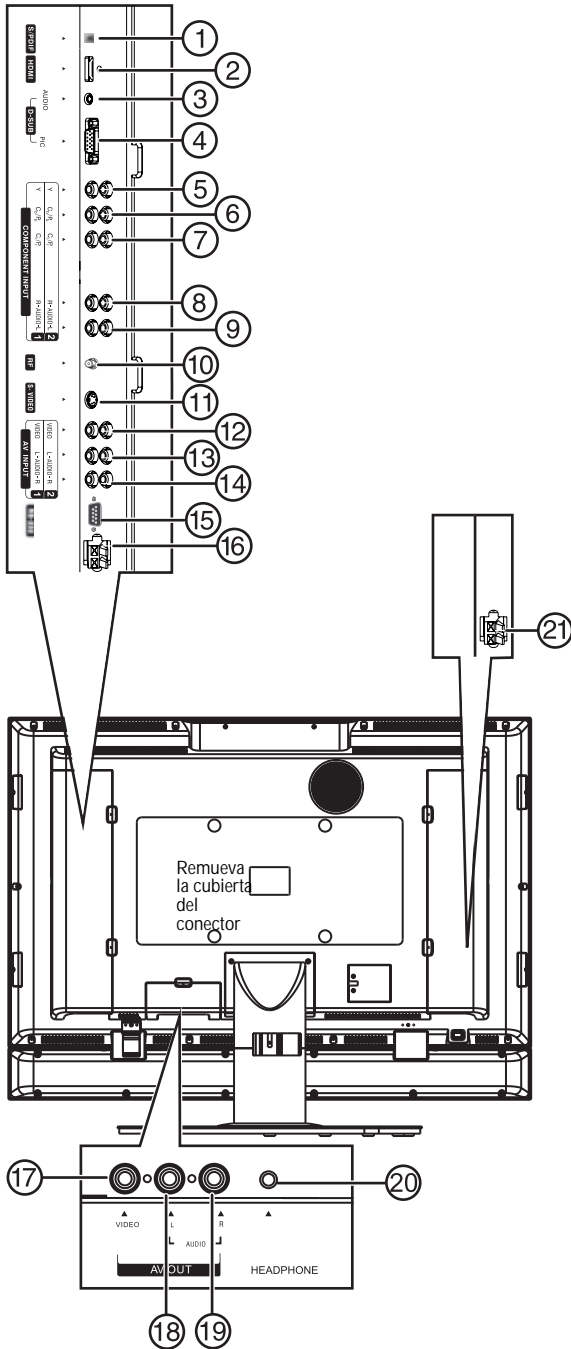
Características

Vista frontal



	Control	Descripción
1	Indicador de encendido	Se ilumina cuando su televisor está encendido.
2	Sensor del control remoto	Recibe las señales del control remoto.

Paneles laterales posteriores



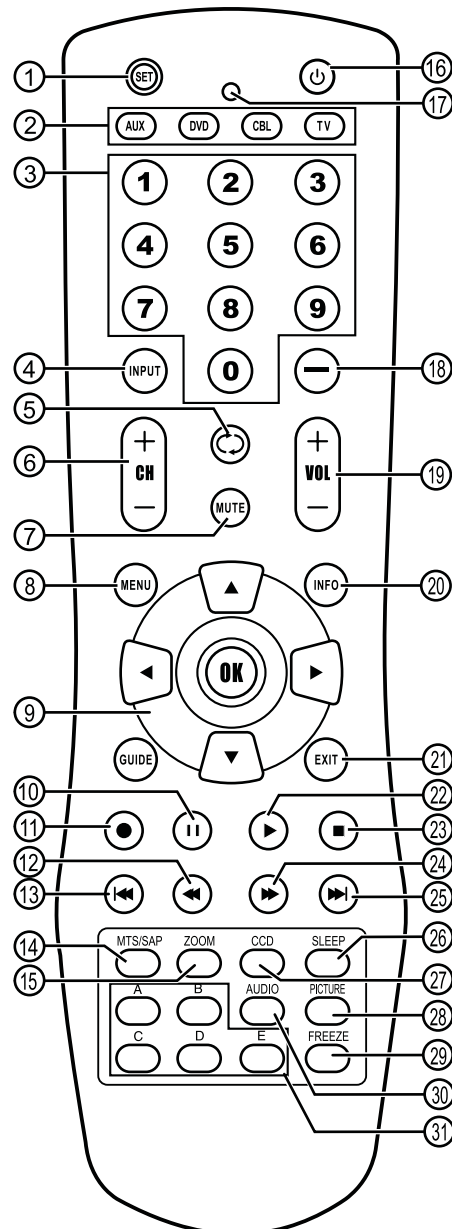
#	Conector
1	Salida S/PDIF de audio digital (óptica)
2	Entrada HDMI
3	Entrada D-SUB AUDIO
4	Entrada D-SUB PIC (video)
5	ENTRADA DE COMPONENTE Y
6	ENTRADA DE COMPONENTE Cb/Pb
7	ENTRADA DE COMPONENTE Cr/Pr
8	ENTRADA DE COMPONENTE DE AUDIO DERECHO
9	ENTRADA DE COMPONENTE DE AUDIO IZQUIERDO
10	RF (Entrada de antena)









#	Conector
11	Entrada S-VIDEO
12	VIDEO DE LA ENTRADA AV
13	AUDIO IZQUIERDO DE LA ENTRADA AV
14	AUDIO DERECHO DE LA ENTRADA AV
15	Interfaz de control RS-232
16	Conector de salida de audio derecho
17	VIDEO DE LA SALIDA AV
18	AUDIO IZQUIERDO DE LA SALIDA AV
19	AUDIO DERECHO DE LA SALIDA AV
20	AURICULARES
21	Conector de salida del parlante izquierdo




Control remoto

Nota

Para obtener instrucciones acerca de la programación del control remoto, refiérase a "Programming the remote control" en la page 74.



#	Botón	Descripción
1	CONFIGURAR	Permite programar el control remoto. Para obtener más información, refiérase a "Programming the remote control" en la page 74.
2	[Botones de equipos]	TV – Permite seleccionar el televisor. DVD – Permite seleccionar un reproductor de DVD conectado. CBL – Permite seleccionar TV por cable o satélite. AUX – Permite seleccionar el dispositivo asignado a este botón.
3	[Botones numéricos]	Permiten ingresar los números de canal. En el menú de pantalla, permiten ingresar la contraseña del control de los padres.
4	ENTRADA	Permite seleccionar la entrada de video.
5		Permite ir al último canal visto.
6	+ CANAL –	Permite cambiar los canales de TV.
7	SILENCIAR	Permite silenciar el sonido.
8	MENÚ	Presione para acceder o cerrar el menú de pantalla.
9	 ACEPTAR	Las flechas permiten moverse hacia abajo, arriba, izquierda o derecha en el menú de pantalla. Presione OK (Aceptar) para confirmar los cambios o para activar o desactivar opciones en el menú de pantalla.
10		Permite pausar una cinta de video o un DVD. Presione nuevamente para continuar con la reproducción.*
11		Permite comenzar a grabar una cinta de video o un DVD.*
12		Permite retroceder rápidamente un DVD o una cinta de video.*
13		Permite saltar al capítulo anterior en un DVD.*
14	MTS/SAP	Permite seleccionar uno de los modos de audio predefinidos. Puede seleccionar entre MONO, STEREO (Estéreo) y SAP.
15	ZOOM	Permite seleccionar la relación de aspecto.
16	[Encendido] 	Permite encender su televisor o ponerlo en el modo de suspensión.
17	[LED]	Se ilumina cuando se programa el control remoto. Para obtener más información, refiérase a "Programming the remote control" en la page 74.
18	—	Permite seleccionar un sub-canal. Para obtener más información, refiérase a "Selecting a digital sub-channel" en la page 68.
19	+ VOL –	Permite ajustar el volumen.
20	INFO	Permite mostrar información de estado.
21	SALIR	Permite cerrar el menú de pantalla.
22		Permite comenzar a reproducir un DVD o CD si un reproductor de DVD o de CD está conectado.*

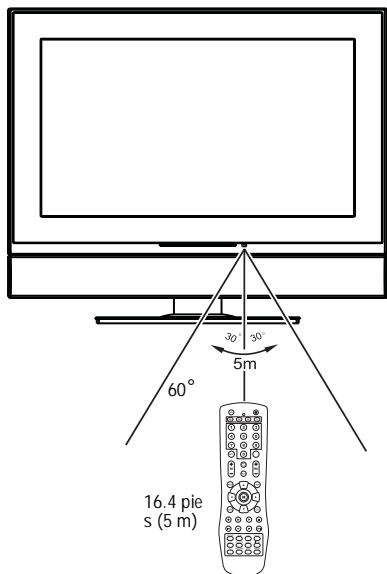
#	Botón	Descripción
23		Permite dejar de reproducir un DVD o CD si un reproductor de DVD o de CD está conectado.*
24		Permite avanzar rápidamente una cinta de video o un DVD.*
25		Permite saltar al siguiente capítulo o pista de un DVD.*
26	APAGADO AUTOMÁTICO	Permite configurar el temporizador de apagado automático. Para obtener más información, refiérase a "Setting the sleep timer" en la page 70.
27	CCD	Permite activar o desactivar los subtítulos optativos. Para obtener más información, refiérase a "Viewing closed captions" en la page 70.
28	IMAGEN	Permite seleccionar el modo de imagen.
29	CONGELAR	Permite congelar la imagen de video. Presione el botón nuevamente para descongelar la imagen. No congele la imagen de video por periodos de tiempo extendidos. Esto puede dañar la pantalla del televisor.
30	AUDIO	Permite seleccionar el modo de sonido.
31	A, B, C, D, E	Estos botones no tienen ninguna función con este televisor. Sin embargo, se pueden usar con otros equipos cuando este control remoto se usa como un control remoto universal. La función exacta dependerá del equipo específico que se controle.

* Para que el control remoto controle su reproductor de VCR o DVD, el control remoto deberá estar programado para operarlo. Para obtener más información, refiérase a "Programming the remote control" en la page 74.

Uso del control remoto

Para usar el control remoto:

- Apunte el control remoto hacia el sensor de control remoto al frente de su televisor.



Notas

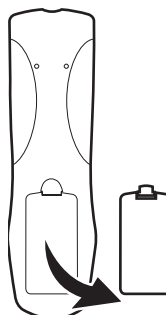
- No exponga el control remoto a choques o líquidos.
- No use el control remoto en un área con alta humedad.
- No coloque el control remoto bajo la luz solar directa.
- No coloque objetos, tales como muebles, entre el control remoto y el sensor del control remoto.
- Puede ser que el control remoto no funcione si luz solar directa o luz fuerte brille sobre el sensor del control remoto. Mueva su televisor o cambie el ángulo en que usa el control remoto.

Preparación de su televisor

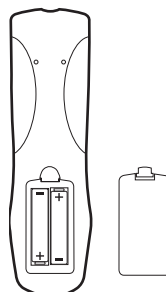
Instalación de las pilas del control remoto

Para instalar las pilas del control remoto:

- 1 Quite la cubierta de las pilas.



- 2 Inserte dos pilas AA en el compartimiento de pilas. Verifique que los símbolos + y - en las pilas correspondan con los símbolos + y - en el compartimiento de las pilas.



- 3 Vuelva a colocar la cubierta.



Notas

- No combine pilas de tipos diferentes.
- No combine pilas viejas y nuevas.
- Saque las pilas cuando se les acabe la carga.
- Los químicos de las pilas pueden causar sarpullido. Si las pilas se derraman, limpie el compartimiento de pilas con un paño. Si los químicos tocan su piel, lávese inmediatamente.
- Saque las pilas si el control remoto no se va a usar por un período de tiempo extendido.

Conexión de su televisor a un tomacorriente

Para conectar su televisor a un tomacorriente eléctrico:

- Enchufe el cable de alimentación en un tomacorriente.

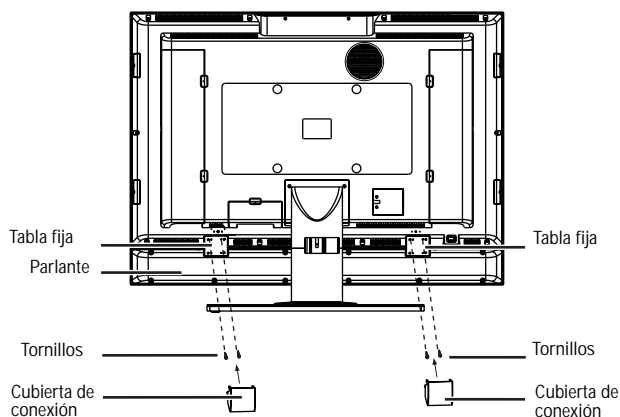
Notas

- Verifique que se está usando el tipo de alimentación correcta. Refiérase a la etiqueta en su televisor.
- Si no piensa usar su televisor por un período de tiempo extendido, desenchufe el cable de alimentación del tomacorriente eléctrico.

Instalación y conexión de los parlantes

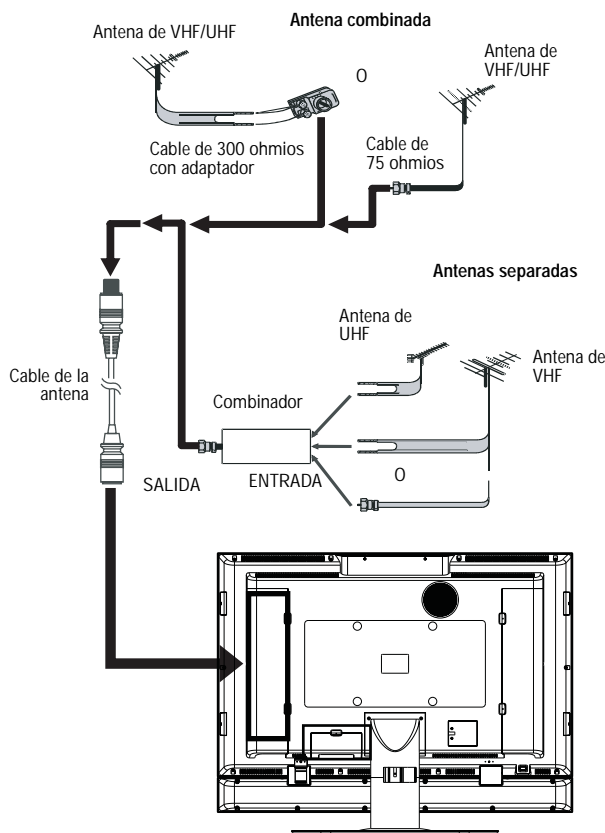
Para instalar y conectar el parlante a su televisor:

- 1 Desconecte el cable de alimentación del televisor y todos los dispositivos que estén conectados a su televisor.
- 2 Conecte el parlante y la tabla fija al televisor con los tornillos (suministrados) y ajústelos.
- 3 Instale las dos cubiertas de conexión sobre la tabla fijas.
- 4 Conecte los parlantes a los conectores de parlantes en las partes laterales de su televisor. Asegúrese de conectar los cables de audio del parlante a los conectores de salida del parlante empajando la polaridad + y - de los parlantes de acuerdo con el color.



- Si su cable de antena tiene un conector de 75 ohmios, conéctelo al conector coaxial en la parte posterior de su televisor.
- Si su cable de antena tiene un conector de 300 ohmios, conéctelo a un adaptador de 300-75 ohmios (no incluido), conecte el adaptador a un cable de 75 ohmios, luego conecte el otro extremo del conector de 75 ohmios al toma coaxial en la parte posterior de su televisor.

Refiérase a la siguiente figura para conectar una antena exterior:



Conexión de TV por cable

Su televisor tiene un conector de 75 ohmios para conectar TV por cable.

Algunos proveedores de TV por cable codifican las señales de los canales de pago especial. Para ver estos canales, necesita una caja convertidora/decodificadora.

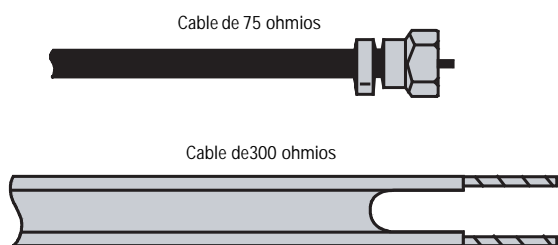
Si no tiene una caja convertidora/decodificadora, puede conectar su TV por cable directamente a su televisor. Si tiene una caja convertidora/decodificadora, puede conectar su TV por cable usando un interruptor de RF (no suministrado). Para obtener más información sobre como conectar una caja convertidora/decodificadora, póngase en contacto con su proveedor de TV por cable.

Para conectar TV por cable sin usar una caja convertidora/decodificadora:

- 1 Conecte un extremo de un cable de 75 ohmios al toma coaxial situado en la parte posterior de su televisor.
- 2 Conecte el otro extremo del cable al toma de pared de TV por cable.

Conexión de una antena exterior

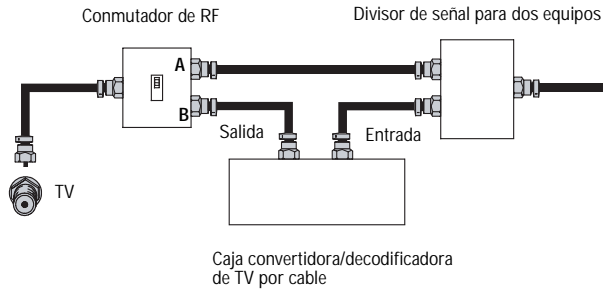
Hay dos tipos de cables de antena: 75 ohmios y 300 ohmios.



Para conectar TV por cable con una caja convertidora/decodificadora:

- Refiérase a la siguiente figura para conectar una caja convertidora/decodificadora. (El conmutador de RF y el divisor de señal no se suministran.)

Mueva el conmutador de RF a la posición A para ver los canales sin codificación usando el control remoto de su televisor. Mueva el conmutador de RF a la posición B para ver los canales codificados usando el control de la caja convertidora/decodificadora.



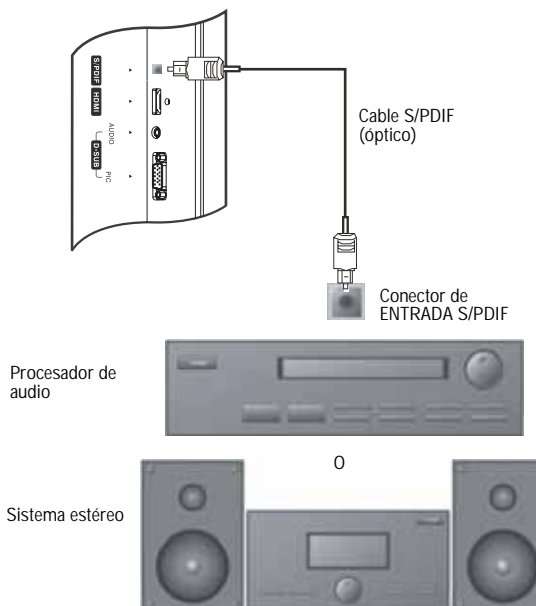
Conexión a un sistema de sonido

Para conectarse a un sistema de sonido:

- 1 Conecte el cable óptico para S/PDIF en el conector S/PDIF en la parte posterior de su televisor.
- 2 Conecte el otro extremo del cable para S/PDIF en el conector de entrada S/PDIF en el sistema de sonido.

Advertencia
Verifique que apague y desconecte su televisor antes de instalar equipos.

Nota
En el caso de sistema de teatro en casa, use un cable S/PDIF (óptico) para obtener la capacidad completa del sonido.



Conexión de un VCR

Puede conectar un VCR con un cable de audio/video estándar o con un cable de S-Video. El cable de S-Video no incluye el sonido. Si usa un cable de S-Video, necesitará usar cables de audio para conectar la salida del sonido.

Advertencia
Verifique que apague y desconecte su televisor antes de instalar equipos.

Nota
Para obtener el mejor video, use el conector de S-Video si su VCR tiene una conexión de S-Video.

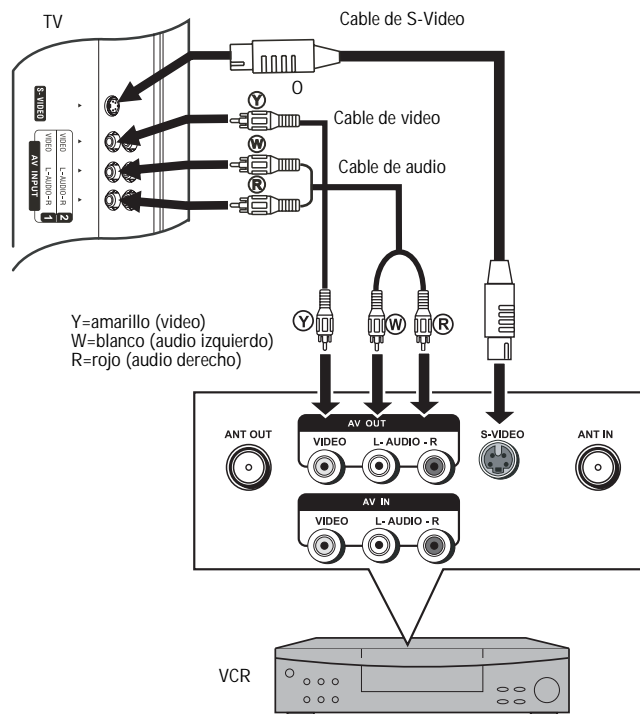
Para conectarse a un VCR y reproducir una cinta de video:

- 1 Conecte el cable de audio/video en los conectores AUDIO L (Izquierdo), AUDIO R (Derecho) y VIDEO en la parte posterior de su televisor.
- 2 Conecte el otro extremo del cable de audio/video en los conectores de salida de audio y video del VCR.

- O -

Conecte los cables de audio cómo se indica arriba y conecte un extremo de un cable de S-Video en el conector de S-Video en la parte posterior de su televisor y el otro extremo en el conector de S-Video en el VCR.

- 3 Encienda su televisor.
- 4 Presione **INPUT** (Entrada) repetidamente para seleccionar **Composite1** [Compuesto 1] (o **S-Video** si conectó el VCR al conector S-Video).
- 5 Encienda su VCR.
- 6 Inserte una cinta de video y presione **PLAY** (Reproducir).

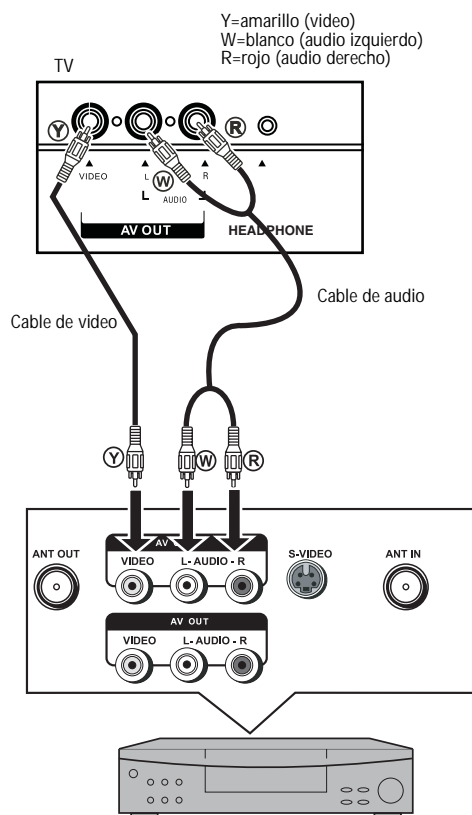


Conexión de un VCR (para grabar)

Advertencia
Verifique que apague y desconecte su televisor antes de instalar equipos.

Para conectarse y grabar un programa en un VCR:

- 1 Conecte el cable de audio/video en los conectores AUDIO L (Izquierdo), AUDIO R (Derecho) y VIDEO en la parte posterior de su televisor.
- 2 Conecte el otro extremo del cable de audio/video en los conectores de entrada de audio y video en el VCR.
- 3 Encienda su televisor.
- 4 Seleccione el programa que desea grabar.
- 5 Encienda el VCR.
- 6 Inserte una cinta de video, luego presione el botón de grabar en el VCR.

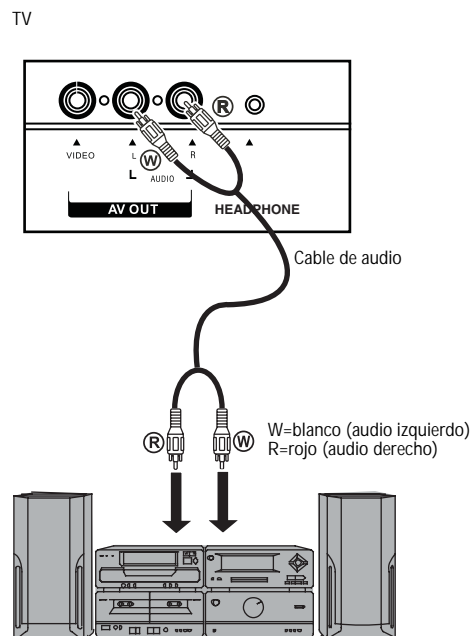


Conexión a un amplificador

Advertencia
Verifique que apague y desconecte su televisor antes de instalar equipos.

Para conectarse a un amplificador:

- 1 Conecte el cable de audio en los conectores AUDIO L (Izquierdo) y AUDIO R (Derecho) en la parte posterior de su televisor.
- 2 Conecte el otro extremo de los cables de audio en los conectores de entrada de audio y video del amplificador.



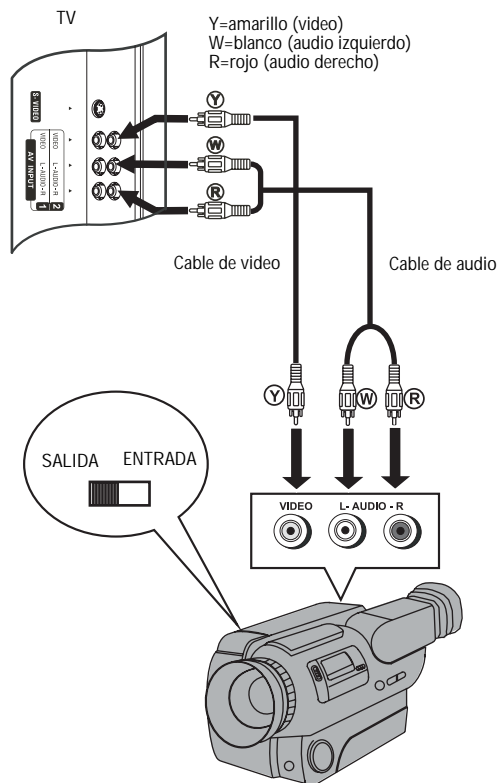
Conexión de una cámara de video

Advertencia

Verifique que apague y desconecte su televisor antes de instalar equipos.

Para conectarse y reproducir video de una cámara de video:

- 1 Conecte el cable de audio/video en los conectores AUDIO L (Izquierdo), AUDIO R (Derecho) y VIDEO en la parte posterior de su televisor.
- 2 Conecte el otro extremo del cable de audio/video en los conectores de salida de audio y video de la cámara de video.
- 3 Encienda su televisor.
- 4 Presione **INPUT** (Entrada) repetidamente para seleccionar **Composite 2** (Compuesto 2).
- 5 Encienda la cámara de video y colóquela en el modo de salida. Refiérase a los documentos de la cámara de video para obtener más información.
- 6 Inserte una cinta en la cámara de video y presione **Play** (Reproducir) en la cámara de video.



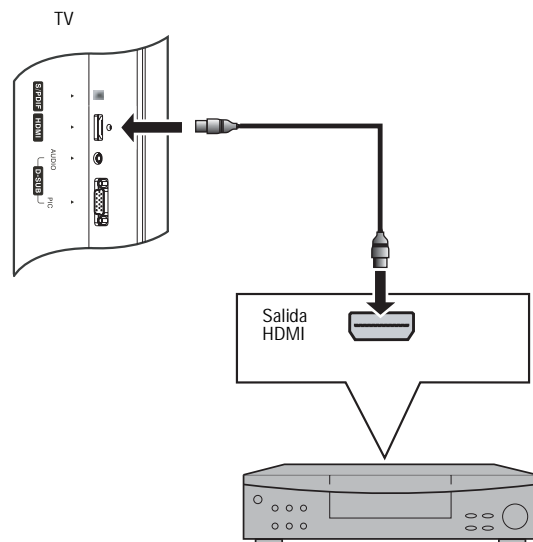
Conexión de un reproductor de DVD

Advertencia

Verifique que apague y desconecte su televisor antes de instalar equipos.

Para conectar un reproductor de DVD y reproducir un DVD:

- 1 Conecte el cable HDMI en el conector HDMI en la parte posterior de su televisor y al conector de salida HDMI en la parte posterior del reproductor de DVD.
- 2 Encienda su televisor.
- 3 Presione **INPUT** (Entrada) repetidamente para seleccionar **HDMI**.
- 4 Encienda el reproductor de DVD.
- 5 Inserte un DVD y presione **Play** (Reproducir) en el reproductor de DVD.



Nota

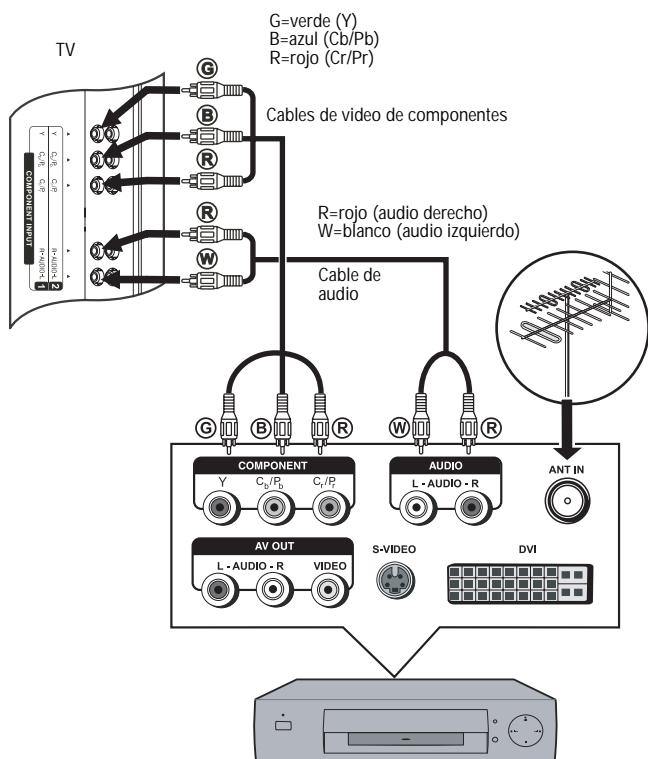
Si el reproductor de DVD sólo tiene una salida DVI, use un cable adaptador de DVI a HDMI (no suministrado) para conectar el reproductor de DVD al conector HDMI en la parte posterior de su televisor. Luego conecte el cable de audio al conector D-SUB AUDIO IN (Entrada de Audio D-SUB) en la parte posterior de su televisor.

Conexión de un receptor de DTV

Advertencia
Verifique que apague y desconecte su televisor antes de instalar equipos.

Para conectarse a un receptor de DTV y ver DTV:

- 1 Conecte el cable de audio en los conectores AUDIO L (Izquierdo) y AUDIO R (Derecho) en la parte posterior de su televisor.
- 2 Conecte el otro extremo de los cables de audio en el conector de salida de audio en el receptor de DTV.
- 3 Conecte los cables de video de componentes en los conectores en la parte posterior de su televisor.
- 4 Conecte el otro extremo de los cables de video de componentes en el conector de componentes en el receptor de DTV.
- 5 Encienda su televisor.
- 6 Presione **INPUT** (Entrada) repetidamente para seleccionar **Component1** (Componente 1).
- 7 Encienda su receptor de DTV.

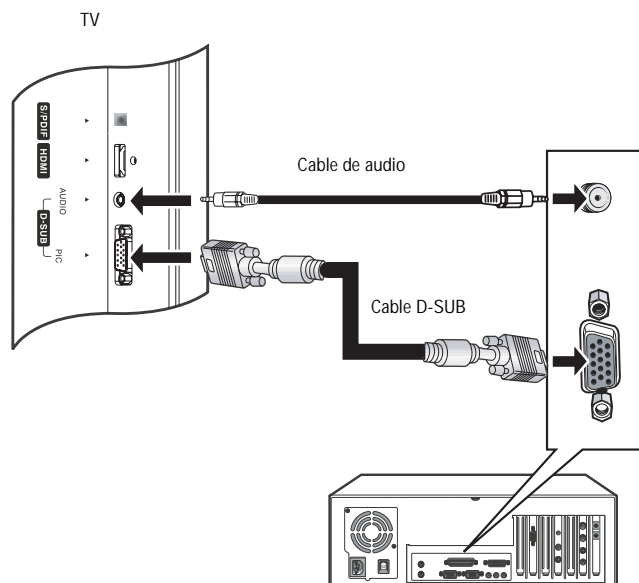


Conexión de una computadora

Advertencia
Verifique que apague y desconecte su televisor antes de instalar equipos.

Para conectarse y ver video desde una computadora:

- 1 Conecte el cable de audio al conector de la entrada de audio D-SUB en la parte posterior de su televisor.
- 2 Enchufe el otro extremo del cable de audio en el conector de salida de audio en la computadora.
- 3 Conecte el cable D SUB en la entrada PIC en la parte posterior de su televisor.
- 4 Conecte el otro extremo del cable D SUB en el conector D SUB en su computadora.
- 5 Encienda su televisor.
- 6 Presione **INPUT** (Entrada) repetidamente para seleccionar **VGA**.
- 7 Encienda su computadora, luego configure su computadora para una entrada de VGA externa. Refiérase a los documentos de su computadora para obtener más información.



Uso del televisor

Encendido y apagado de su televisor

Para encender y apagar su televisor:

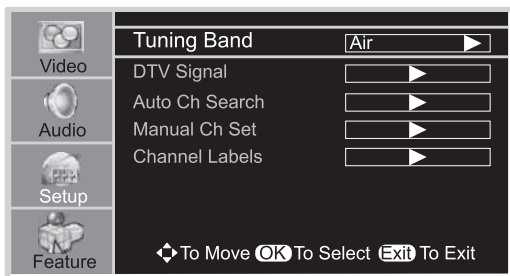
- 1 Verifique que el cable de alimentación está conectado a su televisor y a un tomacorriente eléctrico.
- 2 Presione para encender su televisor.
- 3 Presione de nuevo para apagar su televisor.

Selección de la fuente de la señal de TV

Para seleccionar la fuente de señal de TV:

- 1 Presione **MENU** (Menú).
- 2 Presione o repetidamente para resaltar **Setup** (Configuración) y presione **OK** (Aceptar) o para abrir el menú *Setup*.

- 3 Presione **▼** o **▲** repetidamente para resaltar **Tuning Band** (Banda de Sintonización) y presione **OK** (Aceptar) o **▶** para acceder a las opciones de la banda de sintonización.



- 4 Seleccione **Air** (Aire) en el caso de una antena exterior, o seleccione **Cable**, **Cable HRC**, **Cable IRC** o **Cable Auto** para TV por cable. Le recomendamos que seleccione **Cable Auto** para TV por cable. Para obtener más información sobre las selecciones de TV por cable, póngase en contacto con su proveedor de TV por cable.
- 5 Presione **EXIT** (Salir) para cerrar el menú de pantalla.

Configuración de la lista de canales

Después de seleccionar su fuente de señal de TV (antena o cable), necesitará configurar la lista de canales. Cuando configure la lista de canales, su televisor buscará todos los canales disponibles en su área y guardará una lista de los canales. Cuando presione **CH – o +**, su televisor se saltará los canales que no tienen señal.

Configuración automática de canales

Para configurar automáticamente la lista de canales:

- 1 Presione **MENU** (Menú).
- 2 Presione **▼** o **▲** repetidamente para resaltar **Setup** (Configuración) y presione **OK** (Aceptar) o **▶** para abrir el menú **Setup**.
- 3 Presione **▼** o **▲** repetidamente para resaltar **Auto Ch Search** (Búsqueda Automática de Canales).



- 4 Presione **OK** (Aceptar) o **▶** para comenzar la búsqueda.

Nota
Puede presionar **Exit** (Salir) para detener la búsqueda.

Agregando o eliminando canales manualmente de la lista de canales

Después de crear una lista de canales usando la opción "Auto Ch Search", puede agregar o eliminar canales de la lista de canales.

Para agregar o borrar canales:

- 1 Presione **MENU** (Menú).
- 2 Presione **▼** o **▲** repetidamente para resaltar **Setup** (Configuración) y presione **OK** (Aceptar) o **▶** para abrir el menú **Setup**.
- 3 Presione **▼** o **▲** repetidamente para resaltar **Manual Ch Set** (Establecimiento Manual de Canales), luego presione **OK** (Aceptar) o **▶** para acceder a las opciones del establecimiento manual de canales.



- 4 Presione **▼** o **▲** para seleccionar un canal y luego presione **OK** (Aceptar) para agregar o eliminar un canal.
- 5 Presione **EXIT** (Salir) para cerrar el menú.

Cambio de canales

Para cambiar los canales:

- Presione **CH – o +** en el control remoto para ir al siguiente canal más abajo o más arriba.
○
Presione los botones numéricos para seleccionar un canal (por ejemplo, si desea ver el canal 83, presione **8**, y luego **3**).
○
Presione **↻** para ir al último canal visto.

Selección de un sub-canal digital

La mayoría de canales de TV digital tienen más de un canal. El canal principal lleva la señal del programa de TV principal. Los sub-canales llevan las señales para programación adicional o alternativa, tal como transmisiones de radio o noticias.

Por ejemplo, si el número de canal principal es 8, el número de sub-canal puede ser 8-1, 8-2 ó 8-3.

Para seleccionar un sub-canal:

- 1 Presione los botones numéricos del canal principal (por ejemplo 8).
- 2 Presione **–**, luego presione el botón del sub-canal (por ejemplo 1).

Ajuste del volumen

Para ajustar el volumen:

- Presione **VOL – o +** para bajar o subir el volumen.

- Presione **MUTE** (Silenciar) para desactivar el sonido. Presione **MUTE** (Silenciar) de nuevo para reactivar el sonido.

Visualización de la información de estado

Para mostrar información de estado:

- Presione **INFO**. Su televisor mostrará información de estado, tal como el número de canal o la fuente de la señal.

Selección de la fuente de entrada de video

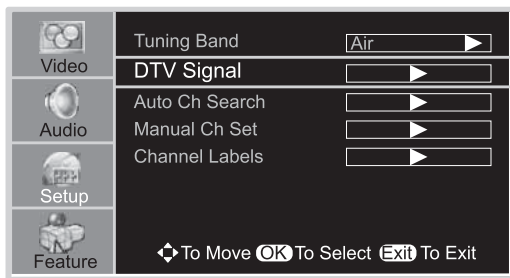
Para seleccionar la fuente de entrada de video:

- Presione **INPUT** (Entrada) repetidamente para seleccionar la fuente de video. Se puede seleccionar:
 - **TV**—Señal de TV
 - **Composite1**—Conectores AV INPUT1
 - **Composite2**—Conectores AV INPUT2
 - **Component1**—Conectores COMPONENT INPUT1
 - **Component2**—Conectores COMPONENT INPUT2
 - **VGA**—Conector D-SUB (computadora)
 - **HDMI**—Conector HDMI
 - **S-Video**—Conector S-Video

Verificación de la intensidad de la señal de DTV

Para verificar la intensidad de la señal de DTV:

- 1 Presione **MENU** (Menú).
- 2 Presione **▼** o **▲** repetidamente para resaltar **Setup** (Configuración) y presione **OK** (Aceptar) o **▶** para abrir el menú *Setup*.
- 3 Presione **▼** o **▲** repetidamente para resaltar **DTV Signal** (Señal de DTV) y luego presione **OK** (Aceptar) o **▶**. Su televisor mostrará la intensidad de la señal de DTV.

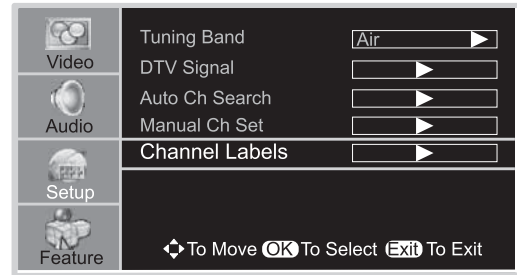


Agregando una etiqueta de canal

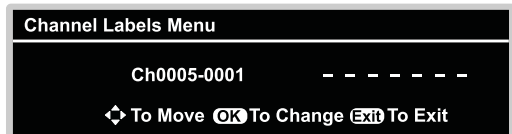
Para agregar una etiqueta a un canal:

- 1 Presione **MENU** (Menú).
- 2 Presione **▼** o **▲** repetidamente para resaltar **Setup** (Configuración) y presione **OK** (Aceptar) o **▶** para abrir el menú *Setup*.

- 3 Presione **▼** o **▲** repetidamente para resaltar **Setup** (Configuración) y presione **OK** (Aceptar) o **▶** para abrir el menú *Channel Labels* (Etiquetas de canal).



- 4 Presione **◀** o **▶** para mover el cursor. Press the **▼** or **▲** button select a channel number or character.



- 5 Presione **OK** (Aceptar) para regresar al menú anterior, o presione **EXIT** (Salir) para ocultar el sistema de menú.

Congelamiento de la imagen

Puede congelar (detener) la imagen en la pantalla.

Cuidado
Para proteger su televisor, no congele la imagen en pantalla por periodos de tiempo extendidos.

Para congelar o descongelar la imagen:

- Presione **FREEZE** (Congelar).

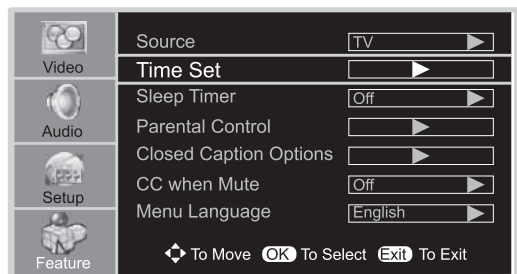
Ajuste del reloj

Puede ajustar el reloj automáticamente con la señal de un canal digital. Su televisor busca un canal digital que tenga información de tiempo codificada. Si el reloj no muestra la hora correcta después de ajustarlo automáticamente, puede ajustar el reloj manualmente.

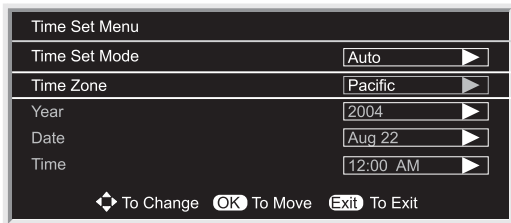
Ajuste automático del reloj

Para ajustar automáticamente el reloj:

- 1 Presione **MENU** (Menú).
- 2 Presione **▼** o **▲** repetidamente para resaltar **Feature** (Función) y presione **OK** (Aceptar) o **▶** para abrir el menú *Feature*.
- 3 Presione **▼** o **▲** repetidamente para resaltar **Time Set** (Ajuste de hora) y presione **OK** (Aceptar) o **▶** para abrir el menú *Time Set*.



- Presione **▼** o **▲** repetidamente para resaltar **Time Set Mode** (Modo de Ajuste de Hora), luego presione **OK** (Aceptar) o **▶** para seleccionar **Auto**.

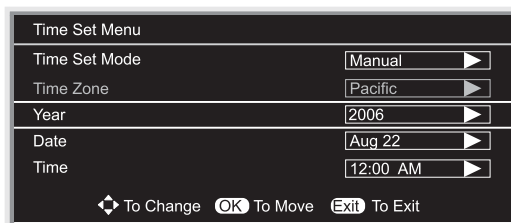


- Presione **▼** o **▲** repetidamente para resaltar **Time Zone** (Zona Horaria), luego presione **OK** (Aceptar) o **▶** para seleccionar una de las siguientes zonas horarias: **Pacific** (Pacífico), **Alaska**, **Hawaii** (Hawái), **Eastern** (Del Este), **Central** (Del Centro) o **Mountain** (De las rocosas).
- Presione **EXIT** (Salir) para cerrar el menú de pantalla.

Ajuste manual del reloj

Para ajustar el reloj manualmente:

- Presione **MENU** (Menú).
- Presione **▼** o **▲** repetidamente para resaltar **Feature** (Función) y presione **OK** (Aceptar) o **▶** para abrir el menú *Feature*.
- Presione **▼** o **▲** repetidamente para resaltar **Time Set** (Ajuste de hora) y presione **OK** (Aceptar) o **▶** para abrir el menú *Time Set*.
- Presione **▼** o **▲** repetidamente para resaltar **Time Set Mode** (Modo de ajuste de hora), luego presione **OK** (Aceptar) o **▶** para seleccionar **Manual**.



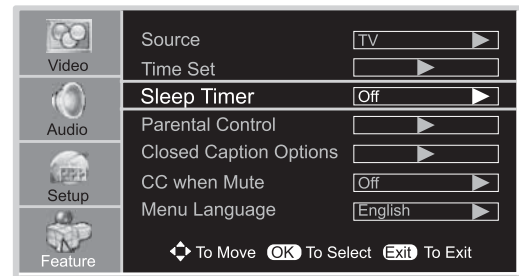
- Presione **▼** o **▲** para seleccionar **Year** (Año), **Date** (Fecha), o **Time** (Hora), luego presione **OK** (Aceptar), **◀** o **▶** para ajustar el año, la fecha o la hora.
- Presione **EXIT** (Salir) para cerrar el menú de pantalla.

Ajuste del temporizador de apagado automático

El temporizador de apagado automático le permite seleccionar la cantidad de tiempo que transcurrirá antes de que su televisor se apague automáticamente.

Para ajustar el temporizador de apagado automático:

- Presione **MENU** (Menú).
- Presione **▼** o **▲** repetidamente para resaltar **Feature** (Función) y presione **OK** (Aceptar) o **▶** para abrir el menú *Feature*.



- Presione **▼** o **▲** repetidamente para resaltar **Sleep Timer** (Temporizador de apagado automático) y presione **OK** (Aceptar) o **▶** para seleccionar la cantidad de tiempo. Para desactivar el temporizador, seleccione **Off** (Desactivado).

Nota

También puede presionar **SLEEP** (Apagado automático) para ajustar el temporizador de apagado automático.

Visualización de subtítulos optativos

Puede ver los subtítulos optativos en dos modos: **CAPTION** (Subtítulo) y **TEXT** (Texto). Cada modo tiene cuatro canales. El modo **CAPTION** muestra los diálogos y comentarios de los programas de TV mientras provee una imagen clara del programa. El modo **TEXT** muestra información que no está relacionada con el programa, tal como horarios de programación de TV y pronósticos del tiempo. En el modo **TEXT**, una parte de la imagen se puede cubrir con el texto.

Nota

En el caso de sistemas de transmisión digital, puede presionar **CCD** en el control remoto para seleccionar el modo de subtítulos optativos. Para personalizar los subtítulos optativos, use el submenú *Closed Caption Options* (Opciones de subtítulos optativos) en el menú *Feature* (Función).

Para ver los subtítulos optativos:

- Presione **CCD** repetidamente para seleccionar un modo de subtítulos optativos. Se puede seleccionar:
 - **CC1**
 - **CC2**
 - **CC3**
 - **CC4**
 - **TEXT1**
 - **TEXT2**
 - **TEXT3**
 - **TEXT4**
 - **Off (Desactivado)**

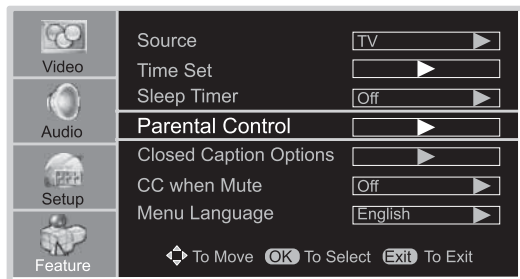
Configuración de los controles de los padres

Su televisor tiene un V-chip que le permite controlar el tipo de programas que sus niños pueden ver. Los controles de los padres incluyen dos clasificaciones: La MPAA (basada en la edad) y las TV Parental Guidelines [Pautas de TV para los padres] (basadas en el contenido y la edad). Un programa de TV puede tener una clasificación de MPAA o de "TV Parental Guidelines", así que deberá configurar los controles para las dos clasificaciones.

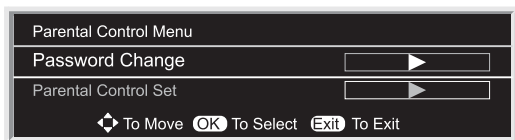
Antes de que seleccione las clasificaciones, necesitará configurar una contraseña para los controles de los padres.

Para establecer una contraseña:

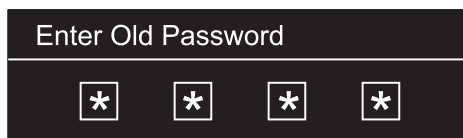
- 1 Presione **MENU** (Menú).
- 2 Presione **▼** o **▲** repetidamente para resaltar **Feature** (Función) y presione **OK** (Aceptar) o **▶** para abrir el menú *Feature*.
- 3 Presione **▼** o **▲** repetidamente para resaltar **Parental Control** (Control de los padres) y presione **OK** (Aceptar) o **▶** para abrir el menú *Parental Control* (Control de los padres).



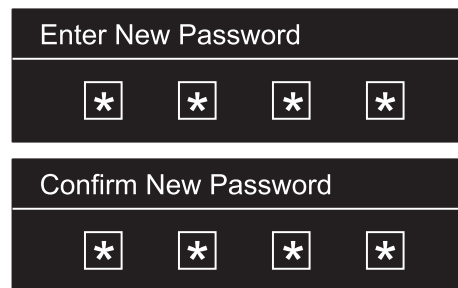
- 4 Presione **▼** o **▲** repetidamente para resaltar **Password Change** (Cambio de contraseña) y presione **OK** (Aceptar) o **▶** para acceder la opción de cambio de contraseña.



- 5 Presione los botones numéricos para ingresar la contraseña antigua. Si no ha configurado una contraseña, ingrese 0000.



- 6 Presione el número de botones para ingresar una contraseña nueva, luego ingrese la contraseña nueva de nuevo para confirmar.



Cuidado

Escriba su contraseña y guárdela para uso futuro.

Nota

Si olvida su contraseña, ingrese 1397 cómo contraseña antigua e ingrese una contraseña nueva. Esta contraseña siempre será válida para restablecer su contraseña.

Clasificaciones MPAA

Clasificación	Descripción
NONE (Ninguna)	Sin clasificación.
G	Público en general.
PG	Se sugiere el consejo de los padres. Contiene material que los padres pueden considerar inadecuado para los niños.
PG-13	Se recomienda fuertemente la supervisión de los padres. Este programa contiene material que los padres pueden considerar inadecuado para niños menores de 13 años.
R	Restringido. No se recomienda para niños menores de 17 años a menos que estén acompañados por un padre o un custodio.
NC-17	No se recomienda para niños menores de 17 años.
X	Sólo para adultos.

Clasificaciones de "TV Parental Guidelines" (Pautas de TV para los padres)

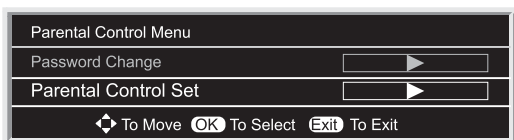
Clasificación	Descripción
NONE (Ninguna)	Sin clasificación.
TV-Y	Todos los niños.
TV-Y7	Dirigido a niños mayores de siete años.
TV-G	Público en general.
TV-PG	Se sugiere el consejo de los padres.
TV-14	Enérgico aviso para los padres.
TV-MA	Adultos solamente.

Algunas de las clasificaciones "TV Parental Guidelines" basadas en edad también tienen clasificaciones basadas en el contenido.

Clasificación	Descripción
FV	Violencia de fantasía.
L	Lenguaje vulgar.
S	Situaciones sexuales.
V	Violencia.
D	Diálogo sexualmente sugestivo.

Para ajustar las clasificaciones:

- 1 Presione **MENU** (Menú).
- 2 Presione **▼** o **▲** repetidamente para resaltar **Feature** (Función) y presione **OK** (Aceptar) o **▶** para abrir el menú *Feature*.
- 3 Presione **▼** o **▲** repetidamente para resaltar **Parental Control** (Control de los padres) y presione **OK** (Aceptar) o **▶** para abrir el menú *Parental Control*.
- 4 Presione **▼** o **▲** repetidamente para resaltar **Parental Control Set** (Ajuste del control de los padres), luego Presione **OK** (Aceptar) o **▶** para acceder a la función de clasificación.

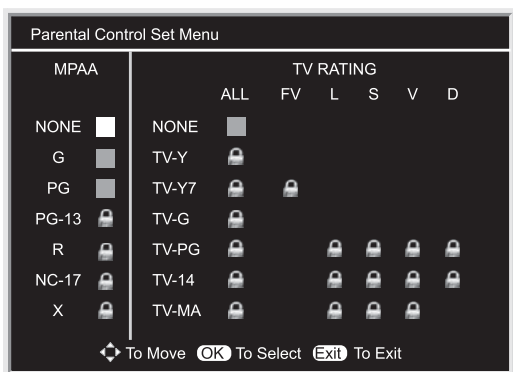


- 5 Ingrese la contraseña.

Nota

Para encontrar las contraseñas predefinidas, refiérase a "To set up a password:" en la page 71.

- 6 Presione **▼**, **▲**, **◀** o **▶** para seleccionar una clasificación, luego presione **OK** (Aceptar) para bloquear o desbloquear la clasificación.



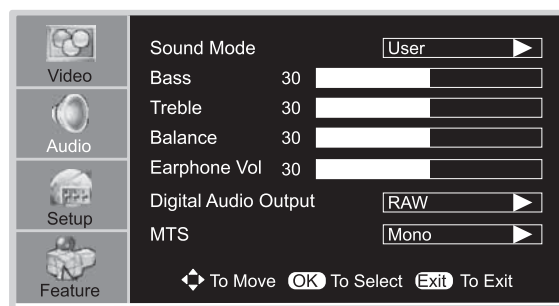
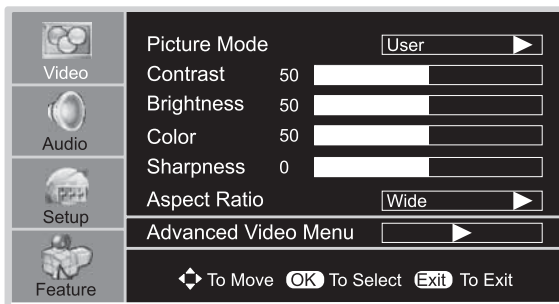
Cuando bloquea una clasificación, se bloqueará dicha clasificación y todas las clasificaciones por encima de ella.

Uso del menú de pantalla (OSD)

Su televisor tiene un menú de pantalla que le permite ajustar los controles del televisor, tal como los ajustes de video y audio.

Para usar el menú de pantalla:

- 1 Presione **MENU** (Menú).
- 2 Presione **▼** o **▲** repetidamente para seleccionar un menú.
- 3 Presione **▼**, **▲**, **◀** o **▶** para navegar a una opción o ajustar una opción.



- 4 Presione **OK** (Aceptar) o **▶** para confirmar un ajuste, abrir un submenú o conmutar un ajuste.
- 5 Presione **MENU** (Menú) para regresar al menú anterior o **EXIT** (Salir) para ocultar el sistema de menú de pantalla.

Menús de pantalla

Menú de pantalla	Opciones
Video (Las opciones pueden variar en diferentes modos.)	<p>Picture Mode (Modo de Imagen) – Selecciona el modo de imagen: User (Usuario), Nature (Naturaleza), Soft (Suave) o Bright (Brillante). También puede presionar PICTURE (Imagen) para seleccionar el modo de imagen.</p> <p>Contrast (Contraste) – Aumenta el nivel de la imagen para ajustar sus áreas blancas. Reduce el nivel de la imagen para ajustar las áreas negras.</p> <p>Brightness (Brillo) – Aumenta el brillo para agregar más luz a las áreas oscuras de la imagen. Reduce el brillo para agregar más oscuridad a las áreas iluminadas de la imagen.</p> <p>Color – Ajusta el color global de la imagen.</p> <p>Sharpness (Nitidez) – Aumenta el nivel de nitidez para mostrar imágenes más limpias y claras. Reduce el nivel para mostrar una imagen más suavizada.</p> <p>Aspect Ratio (Relación de aspecto) – Selecciona la relación de aspecto de la pantalla: Wide (Ancha), Cinema, Normal o Zoom. También puede presionar ZOOM para seleccionar la relación de aspecto.</p> <p>Advanced Video Menu (Menú de video avanzado) – Provee acceso a las funciones avanzadas:</p> <ul style="list-style-type: none"> • Noise Reduction (Reducción de ruido) – Reduce el ruido de la imagen (nieve). • Tint (Tono) – Aumenta el nivel de color para agregar más verde a los tonos de piel. Reduce el nivel de color para agregar más violeta a los tonos de piel. • Color Temperature (Temperatura de color) – Selecciona uno de tres ajuste de color automáticos: Cool (Frio) para más azul, Warm (Caliente) para más rojo y Normal. • 3D Y/C – Activa o desactiva el filtro tipo peine 3D. <p>VGA Set/Component Set (Ajustar VGA/Ajustar Componente) – Si su televisor está conectado a una computadora o a video de componentes, ajusta las siguientes opciones:</p> <ul style="list-style-type: none"> • H-Pos (Posición H) – Ajusta la posición horizontal de la imagen. • V-Pos (Posición V) – Ajusta la posición vertical de la imagen. • Clock (Reloj) – Ajusta la frecuencia de muestreo. • Phase (Fase) – Mejora el foco de una imagen estable. • Setting (Ajuste) – Regresa el modo VGA a los valores de fábrica.

Menú de pantalla	Opciones
Audio (Las opciones pueden variar en diferentes modos.)	<p>Sound Mode (Modo de sonido) – Selecciona el modo de sonido: User (Usuario), News (Noticias), Music (Música) o Movie (Película). También puede presionar AUDIO para seleccionar el modo de sonido.</p> <p>Bass (Graves) – Ajusta los sonidos graves.</p> <p>Treble (Agudos) – Ajusta los sonidos agudos.</p> <p>Balance – Ajusta el volumen del parlante derecho y el izquierdo.</p> <p>Earphone Vol (Volumen de auricular) – Ajusta el volumen del auricular.</p> <p>Digital Audio Output (Salida de audio digital) – Selecciona el modo de audio para el conector S/PDIF.</p> <ul style="list-style-type: none"> • RAW (En bruto): Entrada AC-3 – Salida AC-3/Entrada PCM – Salida PCM. • PCM (<i>Pulse Code Modulation</i>) [Modulación por impulsos codificados]: Entrada AC-3 – Salida PCM / Entrada PCM – Salida PCM. <p>MTS – Selecciona el sonido de TV multicanal (MTS): Mono, Stereo (Estéreo) o SAP (Programa de audio secundario). También puede presionar MTS/SAP para seleccionar el modo MTS.</p> <p>Audio Language (Idioma del audio) – Selecciona un idioma alternativo si el programa tiene más de un idioma.</p>
Configuración	<p>Tuning Band (Banda de sintonización) – Selecciona la fuente de señal del TV. Para obtener más información, refiérase a "Selecting the TV source" en la page 67.</p> <p>DTV Signal (Señal DTV) – Muestra la intensidad de la señal de TV digital. Para obtener más información, refiérase a "Checking the DTV signal strength" en la page 69.</p> <p>Auto Ch Search (Búsqueda automática de canales) – Configura automáticamente una lista de los canales disponibles en su área. Para obtener más información, refiérase a "Automatically setting up channels" en la page 68.</p> <p>Manual Ch Set (Establecimiento manual de canales) – Le permite agregar o eliminar canales de la lista de canales. Para obtener más información, refiérase a "Manually adding or deleting channels from the channel list" en la page 68.</p> <p>Channel Labels (Etiquetas de canal) – Le permite agregar una etiqueta a un canal. Para obtener más información, refiérase a "Adding a channel label" en la page 69.</p>

Menú de pantalla	Opciones
Función	<p>Source (Fuente) – Selecciona la fuente de la señal de video. Se puede seleccionar:</p> <ul style="list-style-type: none"> • TV • Composite1 (Compuesto 1) • Composite2 (Compuesto 2) • Component1 (Componente 1) • Component2 (Componente 2) • VGA • HDMI • S-Video <p>También puede presionar INPUT (Entrada) para seleccionar la fuente de la señal de video.</p> <p>Time Set (Ajuste de la hora) – Ajusta el reloj. Para obtener más información, refiérase a "Setting the clock" en la page 69.</p> <p>Sleep Timer (Temporizador de apagado automático) – Ajusta el temporizador de apagado automático. Para obtener más información, refiérase a "Setting the sleep timer" en la page 70.</p> <p>Parental Control (Control de los padres) – Accede los controles del V-chip. Para obtener más información, refiérase a "Setting parental controls" en la page 71.</p> <p>Closed Caption Options (Opciones de subtítulos optativos) – Personaliza los subtítulos optativos para los sistema de transmisión digital. Puede ajustar el tamaño, la fuente, el color del texto, la opacidad del texto, el color de fondo, la opacidad del borde, el efecto del borde, y el color del borde.</p> <p>CC when Mute (Subtítulos codificados cuando está silenciado)–Muestra automáticamente los subtítulos optativos cuando se silencia el volumen.</p> <p>Menu Language (Idioma del menú) – Permite seleccionar el idioma para de menú de pantalla. Puede seleccionar English (inglés), French (francés) o Spanish (español).</p>

Programación del control remoto

Programación de un equipo conectado a su televisor

El control remoto puede controlar cuatro dispositivos, tal cómo un VCR, un reproductor de DVD, un receptor de cable o satélite, un amplificador o sintonizador, o un equipo similar.

Para programar el control remoto:

- 1 Encuentre el código para el dispositivo que desea programar. Refiérase a "Appendix" en la page 77 para ver la lista de códigos. Si hay más de un código listado para un equipo, escriba todos los códigos.
- 2 Encienda el equipo que desea programar, y cargue medios si es necesario (por ejemplo un DVD).
- 3 Presione un botón de equipo en el control remoto (por ejemplo **DVD**, **CBL** o **AUX**).
- 4 Mantenga presionado **SET** (Establecer) en el control remoto hasta que el indicador LED parpadee dos veces, luego suelte el botón.

- 5 Ingrese el primer código de cinco dígitos para su equipo. El indicador LED parpadeará una vez cada vez que se ingresa un dígito. Si el código es el correcto, el indicador LED parpadeará dos veces.

Nota

Si el indicador LED no parpadea dos veces, repita los pasos 3 al 5 usando un código diferente.

- 6 Apunte el control remoto al equipo y presione **⏏**. El equipo se debería apagar.

Nota

Si el equipo no se apaga, repita los pasos 4 al 6 usando otro código. Si no puede encontrar un código que funcione, refiérase a "Searching for a code" en la page 74.

- 7 Repita los pasos 1 al 6 para programar equipos adicionales.
- 8 Presione **SET** (Establecer) para guardar el código y salir.

Nota

Para referencia futura, escriba cada código que funciona.

Búsqueda de un código

Para buscar un código:

- 1 Presione el botón de un equipo.
- 2 Mantenga presionado **SET** (Establecer) hasta que el indicador LED parpadee dos veces, luego suelte el botón.
- 3 Ingrese **991**, luego el número de grupo del equipo (0=cable, 1=TV, 2=VCR, 3=audio). El indicador LED parpadeará dos veces.
- 4 Apunte el control remoto al equipo y presione **⏏**. Si el equipo responde, vaya al paso 7.
- 5 Si el equipo no responde, presione **CH+**. Su control remoto probará el siguiente código. Mantenga presionado **CH+** hasta que el equipo responda. Puede presionar **CH-** para probar un código anterior.
- 6 Para buscar un código para otro equipo, repita los pasos 1 al 5.
- 7 Presione **SET** (Establecer) para guardar el código y salir.

Verificación del código

Si programó un equipo buscando el código, le podría gustar saber que código de 4 dígitos está usando el control remoto.

Para revisar el código:

- 1 Presione el botón del equipo en el control remoto.
- 2 Mantenga presionado **SET** (Establecer) hasta que el indicador LED parpadee dos veces, luego suelte el botón.
- 3 Ingrese **990**. El indicador LED parpadeará dos veces.
- 4 Presione **1** y cuente las veces que parpadee el indicador LED. Este es el primer dígito del código (por ejemplo, si el indicador LED parpadea dos veces, el primer dígito es 2. Si el LED no parpadea, el primer dígito es 0).

- 5 Repita el paso 4 usando **2** para el segundo dígito, **3** para el tercer dígito, **4** para el cuarto dígito, y **5** para el quinto dígito.
- 6 Presione **SET** (Establecer) para salir.

Programación del bloqueo de volumen

El control remoto viene preconfigurado para dejarle controlar el volumen de cada equipo conectado. Puede cambiar el bloqueo de volumen para que el volumen de un equipo controle el volumen en todos los modos.

Después de bloquear el control de volumen, puede desbloquearlo para un equipo específico para que pueda controlar el volumen de ese equipo independientemente.

Para bloquear el control de volumen a un solo equipo:

- 1 Mantenga presionado **SET** (Establecer) hasta que el indicador LED parpadee dos veces, luego suelte el botón.
- 2 Ingrese **993**, luego presione el botón del equipo del cual quiere controlar el volumen. El indicador LED parpadeará dos veces. Cuando presione **VOL+**, **VOL-**, o **MUTE** (Silenciar) en el control remoto, el equipo seleccionado controlará el volumen sin importar que equipo esté usando.

Para desbloquear el control de volumen:

- 1 Mantenga presionado **SET** (Establecer) hasta que el indicador LED parpadee dos veces, luego suelte el botón.
- 2 Ingrese **993**, luego presione **VOL+**. El indicador LED parpadeará cuatro veces. El control de volumen se desbloqueará.

Para desbloquear el control de volumen de un solo equipo:

- 1 Presione el botón del equipo.
- 2 Mantenga presionado **SET** (Establecer) hasta que el indicador LED parpadee dos veces, luego suelte el botón.
- 3 Ingrese **993**, luego presione **VOL-**. El indicador LED parpadeará cuatro veces. El control de volumen para el equipo que ha seleccionado estará desbloqueado.

Mantenimiento

- No utilice su televisor en áreas que son demasiado calientes o frías porque el gabinete se puede doblar o la pantalla puede funcionar mal.
 - Temperaturas de almacenamiento son 32° a 122 °F (0° a 50 °C).
 - Temperaturas de funcionamiento son 41 °F a 104 °F (5° a 40 °C).
- No coloque su televisor bajo luz solar directa ni cerca de una fuente de calor.

Limpieza de su televisor

Limpie la pantalla y el gabinete con un paño suave y sin pelusa. Si la pantalla o el gabinete se encuentran especialmente sucios, humedezca un paño suave y sin pelusa en una solución detergente suave, exprima el exceso de humedad del paño y limpie la pantalla o el gabinete con el paño. Use un paño limpio para secar la pantalla o el gabinete.

Cuidado

Evite lo siguiente, ya que puede dañar su televisor:

- Limpiar su televisor con sustancias inflamables, tal como repelentes de insectos, solventes y diluyentes.
- Dejar su televisor en contacto con objetos hechos de hule o PVC por periodos de tiempo extendidos.
- Dejar que líquidos goteen dentro del gabinete.

Localización y corrección de fallas

Advertencia

No intente reparar su televisor usted mismo. Refiera toda reparación a un técnico de servicio calificado.

Síntoma	Solución probable
La unidad no enciende	<ul style="list-style-type: none"> • Verifique que el cable de alimentación está conectado a su televisor y a un tomacorriente eléctrico. • Desconecte el cable de alimentación, espere 60 segundos, luego reconecte el cable y encienda su televisor.
No hay imagen	<ul style="list-style-type: none"> • Verifique que los cables de video están conectados firmemente en la parte posterior de su televisor. • Ajuste el contraste y el brillo. • Verifique que se seleccionó el modo de video correcto. • Verifique que la señal de entrada es compatible.
Buena imagen, pero no hay sonido	<ul style="list-style-type: none"> • Suba el volumen. • Verifique que el sonido no esté silenciado. • Verifique que se seleccionó el modo de audio correcto.
Buen sonido pero color deficiente	<ul style="list-style-type: none"> • Ajuste el contraste, el color y el brillo.
Imagen insatisfactoria	<ul style="list-style-type: none"> • Verifique que la habitación no es muy brillante. La luz reflejándose en la pantalla puede hacer que sea difícil ver la imagen. • Si una cámara S-VHS o una cámara de video se conectan mientras se enciende otro equipo conectado, puede ser que la imagen se vea insatisfactoria. Apague uno o más equipos.

Síntoma	Solución probable
Línea punteada horizontal	<ul style="list-style-type: none"> Puede ser que su televisor se encuentre demasiado cerca de otro equipo eléctrico, tal como una secadora de pelo o una luz neón. Apague el equipo o mueva su televisor.
El control remoto no funciona	<ul style="list-style-type: none"> Presione TV. Reemplace las pilas. Compruebe que los símbolos + y – en las pilas correspondan con los símbolos + y – en el compartimiento de las pilas. Limpie el sensor del control remoto en el frente de su televisor. Iluminación brillante o fluorescente puede interferir con la señal del control remoto. Apague la luz o mueva su televisor.
Imagen con nieve o ruido	<ul style="list-style-type: none"> Asegúrese de que los cables de A/V estén bien y firmemente conectados.
La imagen VGA no es estable o no está sincronizada	<ul style="list-style-type: none"> Verifique que se ha seleccionado el modo de VGA correcto en su computadora.
No hay salida de uno de los parlantes	<ul style="list-style-type: none"> Ajuste el balance en el menú <i>Sound</i> (Sonido).
Los botones de control no funcionan	<ul style="list-style-type: none"> Desconecte el cable de alimentación por unos segundos y luego reconecte el cable y encienda su televisor.
Aparecen imágenes permanentes	<ul style="list-style-type: none"> No muestre una imagen fija, tal como un logotipo, un juego, una imagen de computadora por un periodo de tiempo extendido. Esto puede causar que una imagen permanente se quemara en la pantalla. Este tipo de daño no está cubierto por su garantía.
El televisor produce ruidos como un "clic"	<ul style="list-style-type: none"> Estos sonidos ocurren cuando el gabinete de su televisor se expande o contrae debido a cambios en la temperatura. Esto no es un mal funcionamiento.
Control remoto	
El indicador LED no parpadea cuando se presiona un botón	Reemplace las pilas.
El indicador LED parpadea cuando se presiona un botón, pero el equipo no responde	Verifique de que se encuentra a menos de 15 pies (4.6 metros) del equipo y que apunte el control remoto al sensor del control remoto en el equipo.
El indicador LED se mantiene iluminado	Presionó un botón incorrecto. Comience el procedimiento de nuevo.
El control remoto no controla un equipo o sólo controla ciertas funciones del equipo	Verifique que el equipo cuenta con un sensor de control remoto, luego pruebe con otro código.
No hay volumen en un equipo	Refiérase a "Programming the volume lock" en la page 75.

Especificaciones

- El diseño y las especificaciones están sujetos a cambio sin aviso previo.
- El peso y las dimensiones listadas son aproximados.

Fuente de alimentación	100 - 240 V CA 50/60 Hz
Consumo de energía	200 W
Pantalla	37 pulgadas
Rango de canales	VHF: 2-13 UHF: 14-69 CATV: 1-125 CADTV: 1-135 DTV: 2-69
Peso	70.4 lb (31.93 kg)
Dimensiones Ancho × Alto × Profundidad	37.2 × 28.9 × 12.2 pulgadas (944.9 × 734.1 × 309.9 mm)
Temperatura	Almacenamiento -32 a 122°F (0 a 50°C). Funcionamiento – 41 a 104°F (5 a 40°C).
Sistema de TV	NTSC-M, ATSC
Accesorios	Guía del usuario Control remoto Pilas (2 tipo AA)

Apéndice

Códigos para amplificadores de audio

Bose	30674
GE	30078
JVC	30331
Marantz	30321
Nakamichi	30321
NEC	30264
Optimus	30395
Realistic	30395
Sansui	30321
Shure	30264
Sony	30689
Soundesign	30078
Victor	30331
Wards	30078
Yamaha	30354, 30133

Códigos para amplificador de audio / sintonizador

ADC	30531
Aiwa	31405, 31243, 30121
Anam	31609, 31074
Audiotronic	31189
Bose	31229
Capetronic	30531
Carver	31189
Coby	31263
Denon	31360, 31142, 30904
Fonmix	31360
Glory Horse	31263
Harman/Kardon	30110
Hitachi	31273
Inkel	30027
Integra	30135
JBL	30110
JVC	30074, 31263
Kenwood	31313, 31570, 30027
KLH	31428
Magnavox	31189, 31269, 30531
Marantz	31189, 31269, 30039
MCS	30039
Onkyo	30842, 30135
Optimus	31023, 30670, 30531, 31074
Panasonic	31518, 30039
Philips	31189, 31269
Pioneer	31023, 30150, 30014, 30630, 30531
Proscan	31254
Qisheng	31609
Quasar	30039

Radio Shack	31263
RCA	31023, 31609, 31254, 30531, 31074
Sharper Image	31263
Silsonic	30176
Sony	31258, 31759
Soundesign	30670
Stereophonics	31023
Sunfire	31313
Teac	31074, 31267
Technics	31308, 31518, 30039
Thorens	31189
Victor	30074
Wards	30014
Yamaha	30176, 31276, 31176

Códigos para convertidores de cable

ABC	00003, 00008, 00014
Americast	00899
Bell & Howell	00014
Bell South	00899
Clearmaster	00883
ClearMax	00883
Coolmax	00883
Daeryung	01877, 00877, 00477, 00008
Digi	00637
Director	00476
Dumont	00637
Gehua	00476
General Instrument	00476, 00810, 00276, 00003, 00014
GoldStar	00144
Hamlin	00009, 00273
Hitachi	00014
Jerrold	00476, 00810, 00276, 00003, 00012, 00014
KNC	00008
LG	00144
Memorex	00000
Motorola	00476, 00810, 00276, 01254, 01376
MultiVision	00012
Pace	01877, 00237
Panasonic	00000, 00008, 00107
Panther	00637
Paragon	00000
Philips	00317, 01305
Pioneer	01877, 00877, 00144, 00533
Pulsar	00000
Quasar	00000
Radio Shack	00883
Regal	00279, 00273
Runco	00000

Samsung	00000, 00144
Scientific Atlanta	01877, 00877, 00477, 00008
Sony	01006
Starcom	00003, 00014
Supercable	00276
Supermax	00883
Tocom	00012
Torx	00003
Toshiba	00000
Trans PX	00276
Tristar	00883
TS	00003
V2	00883
Viewmaster	00883
Vision	00883
Vortex View	00883
Zenith	00000, 00525, 00899

Pioneer	31063, 31062, 30032
Polk Audio	30157
Proton	30157
QED	30157
Quad	30157
Quasar	30029
Radio Shack	31075
RCA	31062, 30032, 30420, 30179, 30053
Realistic	30420, 30179
Rotel	30157, 30420
SAE	30157
Sansui	30157
Sanyo	30179
SAST	30157
Sharp	30861, 30037
Silsonic	30888, 30036
Sonic Frontiers	30157
Sony	30490, 30000, 30100
Soundesign	30145
TAG McLaren	30157
Tascam	30420
Teac	30420
Technics	30029
Victor	30072
Wards	30157, 30053
Yamaha	30888, 30036
Zonda	30157

Códigos para reproductor de CD

Aiwa	30157
Burmester	30420
California Audio Labs	30029
Carver	30157, 30179
Denon	30873
DKK	30000
DMX Electronics	30157
Dynamic Bass	30179
Fisher	30179
Garrard	30420
Genexxa	30032
Harman/Kardon	30157, 30173
Hitachi	30032
Integra	30101
JVC	30072
Kenwood	30826, 30626, 30028, 30037, 30036, 30190
Krell	30157
Linn	30157
Magnavox	30157
Marantz	30626, 30029, 30157
MCS	30029
Miro	30000
Mission	30157
MTC	30420
NSM	30157
Onkyo	30868, 30101
Optimus	31063, 30000, 30032, 30037, 30420, 30179, 31075, 30145
Panasonic	30029
Parasound	30420
Philips	30626, 30157

Códigos para reproductor de DVD

Aiwa	20641, 21912
Akai	20770
Allegro	20869
Apex Digital	20672, 20717, 20797, 21061, 20796, 21056, 21937, 20794, 21020, 21915
Blaupunkt	20717
Blue Parade	20571
Broksonic	20695
Changhong	20627, 21061
CineVision	20869
Coby	21086
Curtis Mathes	21087
CyberHome	21024, 21023, 21129, 20816, 21117
Daewoo	20833, 21172, 20869
Denon	20490
DVD2000	20521
Emerson	20591, 20675
Enterprise	20591
Fisher	21919
Funai	20675
Gateway	21158, 21073
GE	20522, 20717

Go Video	20744, 20833, 21099, 20783, 21075, 20869, 21730
Greenhill	20717
Harman/Kardon	20582, 20702
Hitachi	20573, 20664, 21919
Hiteker	20672
Initial	20717
Integra	20627, 21924
JBL	20702
JVC	20558, 20623, 20867
Kenwood	20490, 20534
KLH	20717, 21020, 21149
Koss	20651, 21980
Lasonic	20798
LG	20591, 20869, 20801
Liquid Video	21980
Lite-On	21158, 21058
Loewe	20511
Magnavox	20503, 20539, 21976, 21914, 20675
Marantz	20539
Memorex	20695
Microsoft	20522
Mintek	20717
Mitsubishi	21521, 20521
Nesa	20717
Norcent	21003
Onkyo	20503, 20627, 21924, 20792
Oritron	20651, 21980
Panasonic	20490, 21762, 21990
Philips	20503, 20539, 20646, 21914
Pioneer	20525, 20571
Polaroid	21086, 21061
Polk Audio	20539
Portland	20770
Proscan	20522
Qwestar	20651
RCA	20522, 20571, 20717, 20822
Rio	20869
Rotel	20623
Sampo	20752, 20698
Samsung	20490, 20573, 21932, 21075, 20820
Sansui	20695
Sanyo	20695
Sharp	20630, 20752
Sharper Image	21117
Sherwood	20770
Shinco	20717
Shinsonic	20533
Sonic Blue	20869, 21099
Sony	20533, 20864, 21033, 21904, 21903
SVA	20717
Sylvania	20675

Symphonic	20675
Teac	20717, 21984, 20809
Technics	20490
Theta Digital	20571
Toshiba	20503, 20695
Urban Concepts	20503
Xbox	20522
Yamaha	20490, 20539, 20545
Zenith	20503, 20591, 20869

Códigos para receptor de satélite

AlphaStar	00772
Chaparral	00216
Crossdigital	01109
DirecTV	00392, 00566, 00639, 01142, 00247, 00749, 01749, 00724, 00819, 01856, 01076, 01109, 00099, 01392, 01640, 01442, 01414, 01108
Dish Network System	01005, 00775, 01505
Dishpro	01005, 00775, 01505
Echostar	01005, 00775, 01505
Expressvu	00775
GE	00566
General Instrument	00869
GOI	00775
Goodmans	01246
Hisense	01535
Hitachi	00819, 00222, 01250
HTS	00775
Hughes Network Systems	01142, 00749, 01749, 01442
I-Lo	01535
JVC	00775
LG	01414, 01226
Magnavox	00724, 00722
Memorex	00724
Mitsubishi	00749
Motorola	00869
NEC	01270
Next Level	00869
Panasonic	00247, 00701
Paysat	00724
Philips	01142, 00749, 01749, 00724, 01076, 00722, 00099, 01442
Proscan	00392, 00566
Proton	01535
Radio Shack	00869
RCA	00392, 00566, 00855, 00143, 01392
Samsung	01276, 01109, 01108
Sanyo	01219
SKY	00856

Sony	00639, 01640
Star Choice	00869
Tivo	01142, 01442
Toshiba	00749, 01749, 00790, 01285
Ultimate TV	01640, 01392
Uniden	00724, 00722
US Digital	01535
USDTV	01535
Voom	00869
Zenith	00856, 01856

Fujitsu	20045
Gateway	21972
GE	20060, 20035, 20240
General	20045
Go Video	20432
GoldStar	20037, 20209, 20038, 20225
Haojie	20240
Harman/Kardon	20081, 20038
Harwood	20072
Hewlett Packard	21972
HI-Q	20047
Hitachi	20037, 20042, 20055
Howard Computers	21972
HP	21972
Hughes Network Systems	20042, 20739
iBUYPOWER	21972
JVC	20045, 20067
KEC	20037, 20278
Kenwood	20067, 20038
KLH	20072
Kodak	20035, 20037
Kolin	20043, 20037, 20045, 20042, 20209, 20038
Logik	20072
LXI	20037
Magnavox	20035, 20039, 20081
Magnin	20240
Marantz	20035, 20081
Marta	20037
Matsushita	20035, 20162
Media Center PC	21972
MEI	20035
Memorex	20035, 20162, 20037, 20048, 20039, 20047, 20240, 20104, 20209, 20479
MGA	20240, 20043
MGN Technology	20240
Microsoft	21972
Mind	21972
Minolta	20042
Mitsubishi	20067, 20043
Motorola	20035, 20048
MTC	20240
Multitech	20072
NEC	20035, 20037, 20048, 20104, 20067, 20038
Newave	20037
Nikko	20037
Noblex	20240
Northgate	21972
Olympus	20035
Optimus	21062, 20162, 20037, 20048, 20104, 20432

Códigos para VCR

ABS	21972
Admiral	20048, 20209
Aiko	20278
Aiwa	20037, 20479
Alienware	21972
America Action	20278
American High	20035
Amoisonic	20479
Anam	20162, 20037, 20240, 20278
Anam National	20162
Asha	20240
Audiovox	20037, 20278
Beaumark	20240
Bell & Howell	20104
Broksonic	20184, 20121, 20209, 20002, 20479
Calix	20037
Canon	20035
Carver	20081
CCE	20072, 20278
Changhong	20048, 20081
Citizen	20037, 20278
Colt	20072
Craig	20037, 20047, 20240, 20072
Curtis Mathes	20060, 20035, 20162
Cybernex	20240
CyberPower	21972
Daewoo	20045, 20104, 20278
Dell	21972
Denon	20042
DirectTV	20739
Durabrand	20039, 20038
Electrohome	20037
Electrophonic	20037
Emerex	20032
Emerson	20035, 20037, 20184, 20240, 20045, 20121, 20043, 20209, 20002, 20278, 20479
Fisher	20047, 20104
Fuji	20035, 20033

Orion	20184, 20209, 20002, 20479
Panasonic	21062, 20035, 20162, 20616, 20225
Penney	20035, 20037, 20240, 20042, 20038
Pentax	20042
Philco	20035, 20479
Philips	20035, 20081, 20739, 20618
Pilot	20037
Pioneer	20042, 20067
Polk Audio	20081
Profitronic	20240
Proscan	20060
Protec	20072
Pulsar	20039
Qisheng	20060
Quasar	20035, 20162
Radix	20037
Randex	20037
RCA	20060, 20035, 20240, 20042, 20880
Realistic	20035, 20037, 20048, 20047, 20104
ReplayTV	20616
Runco	20039
Sampo	20037, 20048
Samsung	20240, 20045, 20432
Sanky	20048, 20039
Sansui	20067, 20209, 20479
Sanyo	20047, 20240, 20104
Scott	20184, 20045, 20121, 20043
Sears	20035, 20037, 20047, 20042, 20104
Sharp	20048, 20209
Shintom	20072
Shogun	20240
Singer	20072
Sonic Blue	20616
Sony	20035, 20032, 20033, 20636, 21972
STS	20042
Sylvania	20035, 20081, 20043
Systemax	21972
Tagar Systems	21972
Tashiko	20037
Tatung	20045, 20067
Technics	20035, 20162
Teco	20035, 20037, 20048, 20038
Teknika	20035, 20037
Tivo	20636, 20618, 21503, 20739
TMK	20240
Toshiba	20045, 20042, 20067, 20043, 21503, 21008, 21972
Totevision	20037, 20240
Touch	21972
Unitech	20240
Vector	20045
Vector Research	20038

Victor	20067
Video Concepts	20045
Videomagic	20037
Videosonic	20240
Viewsonic	21972
Wards	20060, 20035, 20048, 20047, 20081, 20240, 20042, 20072
White Westinghouse	20209, 20072
XR-1000	20035, 20072
Yamaha	20038
Zenith	20039, 20033, 20209, 20479
ZT Group	21972

Avisos legales

Derechos de reproducción

© 2006 Insignia. Insignia y el logotipo de Insignia son marcas de comercio de Best Buy Enterprise Services, Inc. Otras marcas y nombres de productos son marcas comerciales o marcas registradas de sus dueños respectivos. Las especificaciones y características están sujetas a cambio sin aviso previo u obligación.

Garantía

Garantía Limitada de 1 Año

Insignia Products ("Insignia") le garantiza a usted, el comprador original de este nuevo Televisor con Pantalla LCD de 37" ("Producto"), que éste se encontrará libre de defectos de material o de mano de obra en su fabricación original por un periodo de un (1) año a partir de la fecha de compra del Producto ("Período de Garantía"). Este producto debe ser comprado en un distribuidor autorizado de productos de la marca Insignia y empacado con esta declaración de garantía. Esta garantía no cubre Productos reacondicionados. Si notifica a Insignia durante el Período de Garantía sobre un defecto cubierto por esta garantía que requiere reparación, los términos de esta garantía se aplican.

¿Cuánto dura la garantía?

El Período de Garantía dura por 1 año (365 días) a partir de la fecha en que compró el Producto. La fecha de compra se encuentra impresa en el recibo que recibió con el Producto.

¿Qué es lo que cubre esta garantía?

Durante el Período de Garantía, si un centro de reparación autorizado de Insignia concluye que la fabricación original del material o la mano de obra del Producto se encuentran defectuosos, Insignia (cómo su opción exclusiva): (1) reparará el Producto con repuestos nuevos o reacondicionados; o (2) reemplazará el Producto sin cargo con uno nuevo o con uno reacondicionado con repuestos equivalentes. Los Productos y repuestos reemplazados bajo esta garantía se volverán propiedad de Insignia y no se le regresarán a usted. Si se requiere la reparación de Productos o partes después de que se vence el Período de Garantía, usted deberá pagar todos los costos de mano de obra y de repuestos. Esta garantía estará vigente con tal que usted sea el dueño de su Producto Insignia durante el periodo de garantía. El alcance de la garantía se termina si usted vende o transfiere el Producto.

¿Cómo se obtiene la reparación de garantía?

Si ha comprado el Producto en una tienda de ventas, lleve su recibo original y el Producto a la tienda en donde lo compró. Asegúrese de que vuelva a colocar el Producto en su empaque original o en un empaque que provea la misma protección que el original. Si compró el Producto en un sitio Web, envíe por correo su recibo original y el Producto a la dirección postal listada en el sitio Web. Asegúrese de colocar el Producto en su empaque original o en un empaque que provea la misma protección que el original.

¿En dónde es válida la garantía?

Esta garantía sólo es válida al comprador original del Producto en los Estados Unidos y en Canadá.

¿Qué es lo que no cubre la garantía?

Esta garantía no cubre:

- Formación del cliente
- Instalación
- Ajuste de configuración
- Daños cosméticos
- Daños debido a actos de la naturaleza, tal como rayos
- Accidentes
- Mal uso
- Abuso
- Negligencia
- Uso comercial
- Modificación de alguna parte del Producto, incluyendo la antena

Esta garantía tampoco cubre:

- Daño debido al uso o mantenimiento incorrecto
- La conexión a una fuente de voltaje incorrecta
- El intento de reparación por alguien que no sea una compañía autorizada por Insignia para reparar el Producto
- Productos vendidos tal cual (en el estado en que se encuentran) o con todas sus fallas
- Productos consumibles, tal como fusibles o baterías
- Productos en los cuales el número de serie asignado en la fábrica ha sido alterado o removido.

LA REPARACIÓN O REEMPLAZO SEGÚN LO PROVISTO BAJO ESTA GARANTÍA ES SU ÚNICO RECURSO. INSIGNIA NO SERÁ RESPONSABLE POR DAÑOS INCIDENTALES O CONSECUENTES DEBIDO AL INCUMPLIMIENTO DE CUALQUIER GARANTÍA EXPRESA O IMPLÍCITA RELACIONADA CON ESTE PRODUCTO, INCLUYENDO, PERO SIN LIMITARSE A ELLO, PÉRDIDA DE DATOS, IMPOSIBILIDAD DE USO DE SU PRODUCTO, PÉRDIDA DE NEGOCIO O LUCRO CESANTE. INSIGNIA NO CONCEDE NINGUNA OTRA GARANTÍA EXPRESA CON RESPECTO AL PRODUCTO; TODAS LAS GARANTÍAS EXPRESAS E IMPLÍCITAS DE ESTE PRODUCTO, INCLUYENDO PERO SIN LIMITARSE A, CUALQUIER GARANTÍA IMPLÍCITA DE O CONDICIONES DE COMERCIALIZACIÓN O IDONEIDAD PARA UN USO PARTICULAR, ESTÁN LIMITADAS EN DURACIÓN AL PERÍODO DE GARANTÍA DECLARADO ANTERIORMENTE Y NINGUNA GARANTÍA YA SEA EXPRESA O IMPLÍCITA SE APLICARÁ DESPUÉS DEL PERÍODO DE GARANTÍA. ALGUNOS ESTADOS, PROVINCIAS Y JURISDICCIÓNES NO PERMITEN RESTRICCIONES EN CUANTO A LA DURACIÓN DE UNA GARANTÍA IMPLÍCITA, ASÍ QUE LA RESTRICCIÓN ANTERIOR PUEDE NO APLICARSE EN SU CASO. ESTA GARANTÍA LE DA DERECHOS LEGALES ESPECÍFICOS, Y USTED PUEDE POSEER OTROS DERECHOS QUE VARIAN DE ESTADO A ESTADO, O PROVINCIA A PROVINCIA.



Distributed by Insignia™ Products
Distribué par Insignia™ Products
Distribuido por Insignia™ Products

7601 Penn Avenue South,
Richfield, MN USA 55423-3645
www.Insignia-Products.com

© 2005 Insignia™ Products

All rights reserved. All other products and brand names are trademarks of their respective owners.

© 2005 produits Insignia™

Tous droits réservés. Tous les autres produits ou noms de marques sont des marques de commerce qui appartiennent à leurs propriétaires respectifs.

© 2005 productos Insignia™

Todos los derechos reservados. Todos los demás productos y marcas son marcas comerciales de sus respectivos dueños.

Download from www.Somanuals.com. All Manuals Search And Download.

Free Manuals Download Website

<http://myh66.com>

<http://usermanuals.us>

<http://www.somanuals.com>

<http://www.4manuals.cc>

<http://www.manual-lib.com>

<http://www.404manual.com>

<http://www.luxmanual.com>

<http://aubethermostatmanual.com>

Golf course search by state

<http://golfingnear.com>

Email search by domain

<http://emailbydomain.com>

Auto manuals search

<http://auto.somanuals.com>

TV manuals search

<http://tv.somanuals.com>