

User Guide | Guide de l'utilisateur | Guía del Usuario



14" Flat Panel TV  
TV à écran plat de 14 po | TV de panel plano de 14"

**NS-F14TV**





# Insignia NS-F14TV 14" Flat Panel TV

## Contents

Welcome .....	3
Safety information .....	4
Features .....	8
Setting up your TV .....	15
Using your TV .....	18
Specifications .....	25
Troubleshooting .....	26
Maintenance .....	27
Legal notices .....	27
<b>Français .....</b>	<b>31</b>
<b>Español .....</b>	<b>63</b>

## Welcome

Congratulations on your purchase of a high-quality Insignia product. Your NS-14FTV color TV represents the state of the art in color television design, and is designed for reliable and trouble-free performance.

## Safety information

**Warning**

Risk of electric shock. Do not open. Do not attempt to service your TV yourself because opening or removing covers may expose you to dangerous electrical voltage or other hazards. Refer all servicing to qualified service personnel.

**Warning**

To reduce the risk of fire or electric shock, do not expose your TV to rain or moisture. Do not expose your TV to dripping or splashing liquids. Do not set objects filled with liquids, such as vases, on your TV.

**Warning**

To avoid fire, do not place an open flame source, such as a lighted candle, on your TV.

**Warning**

Leave at least 4.0 inches (10 cm) space around your TV for sufficient ventilation. Do not block the ventilation openings with items, such as newspapers, tablecloths, curtains, or similar items.

**Warning**

In case of smoke, strange noises, or strange smells from your TV, turn it off, unplug it from the wall outlet, and contact your dealer or service center.

### ***Read instructions***

Read all safety and operating instructions before operating your TV.

### ***Retain instructions***

Keep the safety and operating instructions for future reference.

### ***Heed warnings***

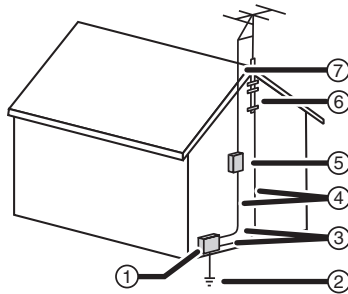
Follow to all warnings on your TV and in the operating instructions.

### ***Follow instructions***

Follow all operating and use instructions.

### Outdoor antenna grounding

If an outside antenna or cable system is connected to TV, make sure that the antenna or cable system is grounded to provide some protection against voltage surges and built-up static charges. Section 810 of the National Electrical Code (NEC), ANSI/NFPA 70, provides information with respect to correct grounding of the mast and supporting structure, grounding of the lead-in wire to an antenna discharge unit, size of grounding conductors, location of antenna discharge unit, connection to grounding electrodes, and requirements for the grounding electrode.



1	Electric service equipment
2	Power service grounding electrode system
3	Ground clamps
4	Grounding conductors
5	Antenna discharge unit
6	Grounding clamp
7	Antenna lead in wire

### Cleaning

Unplug your TV from the wall outlet before cleaning. Do not use liquid cleaners or aerosol cleaners. Use a damp cloth for cleaning the exterior cabinet only.

### Lightning

To protect your TV from a lightning storm, or when it is left unattended and unused for long periods of time, unplug it from the wall outlet and disconnect the antenna or cable system. This will prevent damage to your TV from lightning and power line surges.

***Power cord protection***

Route power supply cords so they are not likely to be walked on or pinched by items placed on or against them. Pay particular attention to cords at plugs, wall outlets, and the points where they exit from your TV.

***Water and moisture***

Do not use your TV near water (for example, near a bathtub, washbowl, kitchen sink, laundry tub, in a wet basement, or near a swimming pool).

***Ventilation***

Slots and openings in the cabinet back or bottom are provided for ventilation, to ensure reliable operation of your TV, and to protect it from overheating. These openings must not be blocked or covered. Do not place your TV on a bed, sofa, rug, or other similar surface. Do not place your TV near or over a radiator or heat source. Do not place your TV in a built-in installation, such as a bookcase or rack, unless you provide correct ventilation or follow the manufacturer's instructions.

***Power source***

Operate your TV only from the type of power source indicated on the rating plate. If you are not sure of the type of power supply to your home, consult your TV dealer or local power company.

***Moving your TV***

If you move your TV from a cold place to a warmer place, wait until the condensation inside the TV has evaporated completely before you turn it on.

***Sunlight***

Position your TV so the screen is not exposed to direct sunlight.

***Viewing environment***

Use soft, indirect lighting while watching your TV. A completely dark environment and reflection from the screen may cause eye fatigue.

***Magnetic interference***

Keep your TV away from high magnetic fields, such as powered speakers, to avoid affecting the tint.

***Maintenance***

Use an isolated power transformer during maintenance because your TV chassis may be electrified.

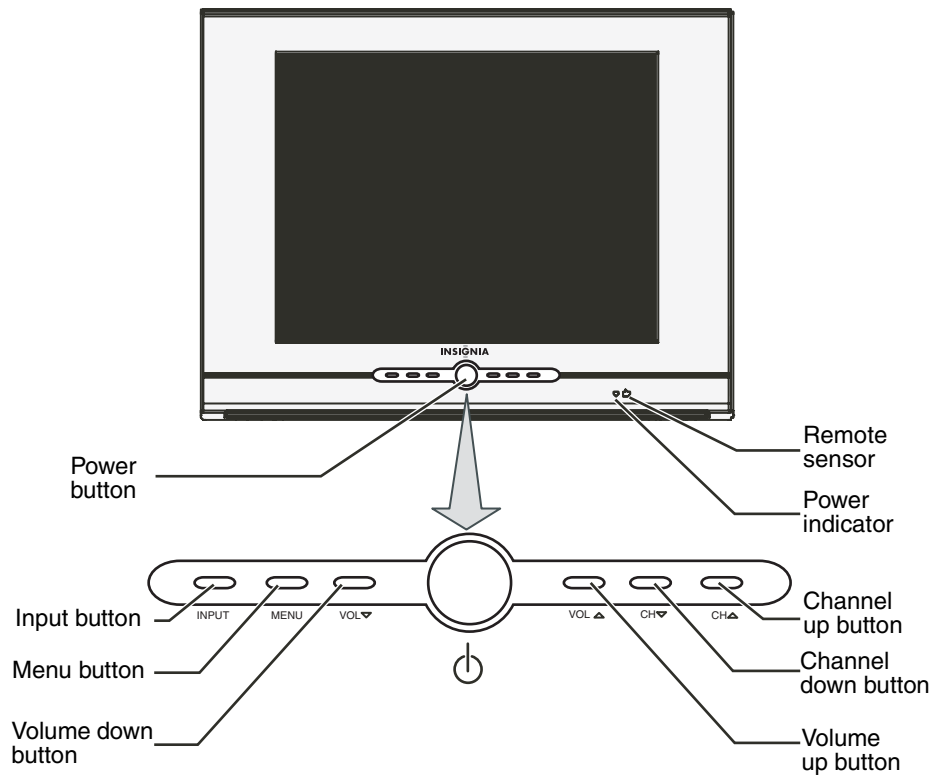
***Note to cable system TV installer***

This reminder is provided to call the cable TV system installer's attention to Article 820-40 of the NEC that provides guidelines for correct grounding and, in particular, specifies that the cable ground shall be connected to the grounding system of the building, as close to the point of cable entry as practical.

## Features

### Front

The location of features may vary depending on your TV model.



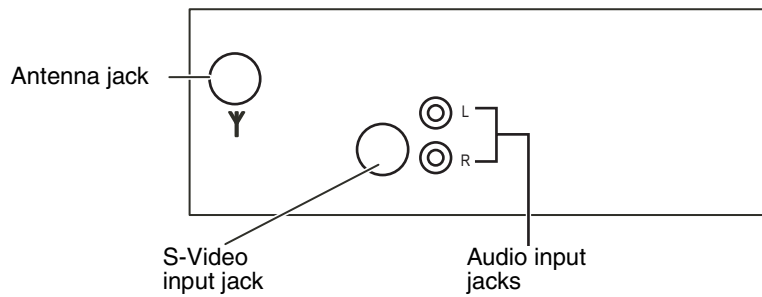
Feature	Description
Power button	Press to turn your TV on or off.
Power indicator	Turns red when your TV is in Standby mode.
Remote control sensor	Receives signals from the remote control. Do not block.
INPUT button	Press to select the video input.



Feature	Description
MENU button	Press to open the TV on-screen display (OSD).
VOL ▽ button	Press to decrease the volume.
VOL △ button	Press to increase the volume.
CH ▽ button	Press to change to a channel with a lower number.
CH △ button	Press to change to a channel with a higher number.

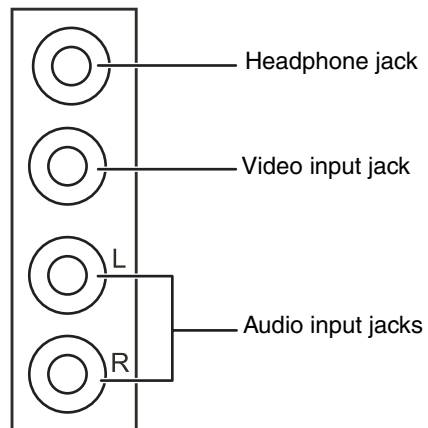
## Back

The type and location of jacks may vary depending on your TV model. For more information, see "Specifications" on page 25.

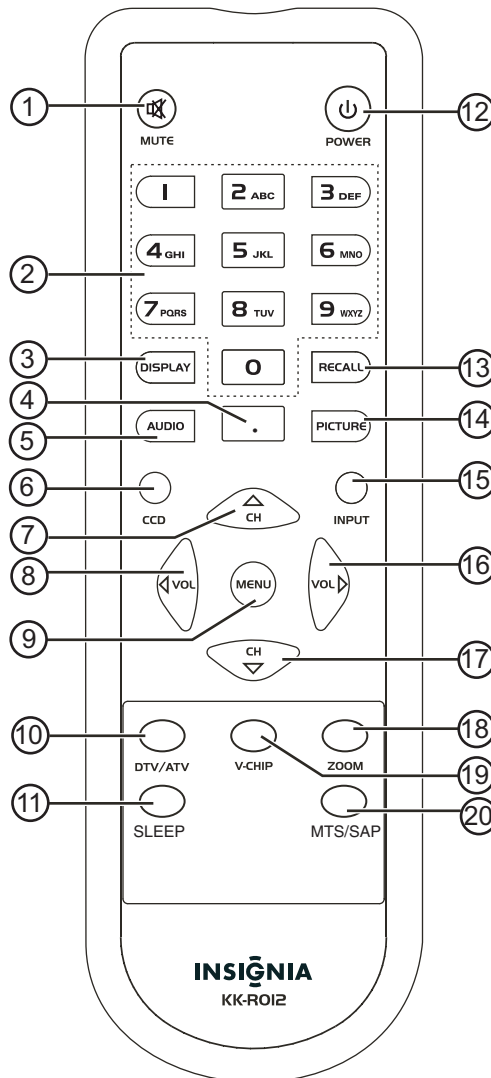


**Side**

The location of the jacks may vary depending on your TV model.



## Remote



No.	Button	Description
1	MUTE	Press to mute the sound.

No.	Button	Description
2	Numbers/letters	Press to enter channel numbers. If you are adding a label to a channel, press to enter letters.
3	DISPLAY	Press to display channel information.
4	•	Press to enter digital TV channel numbers. For more information, see "Changing TV channels" on page 18.
5	AUDIO	Press one or more times to select one of the preset audio modes.
6	CCD	Press to turn closed captioning on or off.
7	CH △	When you are watching your TV, press to tune to a higher-numbered TV channel. When you are using the OSD, press to select a menu option.
8	VOL ◁	When you are watching your TV, press to decrease the volume. When you are using the OSD, press to scroll down through menu options.
9	MENU	Press to open the on-screen display (OSD).
10	DTV/ATV	Press to select the type of TV signal. You can select DTV (digital TV) or ATV (analog TV).
11	SLEEP	Press to access sleep timer settings.
12	POWER	Press to turn your TV on and off. If your TV is in Standby (power saving) mode, press to exit Standby mode.
13	RECALL	If you are watching your TV, press to return to the previous channel you were watching.
14	PICTURE	Press one or more times to select one of the preset picture modes.
15	INPUT	Press to select the video input signal.
16	VOL ▷	When you are watching your TV, press to increase the volume. When you are using the OSD, press to scroll up through menu options.

No.	Button	Description
17	CH ▾	When you are watching your TV, press to tune to a lower-numbered TV channel. When you are using the OSD, press to select a menu option.
18	ZOOM	Press to select the screen display mode. You can select STANDARD, FULL, or ZOOM. (This button is only available for the 16:9 digital TV signal.)
19	V-CHIP	Press to open or close the parental controls.
20	MTS/SAP	Press one or more times to select the audio channel . (Only available for DTV mode.)

### ***Universal remote control programming***

Your TV is compatible with popular universal remote controls.

Remote Brand	Program Code
Philips	115
DirecTV	10463
RCA	135
One-For-All	0463
Sony	8042

For compatibility with other universal remotes, use codes listed for these brands: Emerson, Memorex, Orion, Sansui, Sylvania, or Zenith.

### ***Universal remote control programming***

Your TV is compatible with popular universal remote controls.

Remote Brand	Program Code
Philips	115
DirecTV	10463
RCA	135
One-For-All	0463
Sony	8042

For compatibility with other universal remotes, use codes listed for these brands: Emerson, Memorex, Orion, Sansui, Sylvania, or Zenith.

**Installing remote control batteries****Warning**

Do not throw the batteries into fire. Dispose of used batteries as hazardous waste.

**Caution**

Do not drop or disassemble the remote control. Do not get the remote control wet.

**To install batteries in the remote control:**

- 1 Remove the battery cover.
- 2 Insert two AAA batteries into the battery compartment. Make sure that the +/- symbols on the battery match the +/- marks inside the battery compartment.
- 3 Replace the battery cover.

**Note**

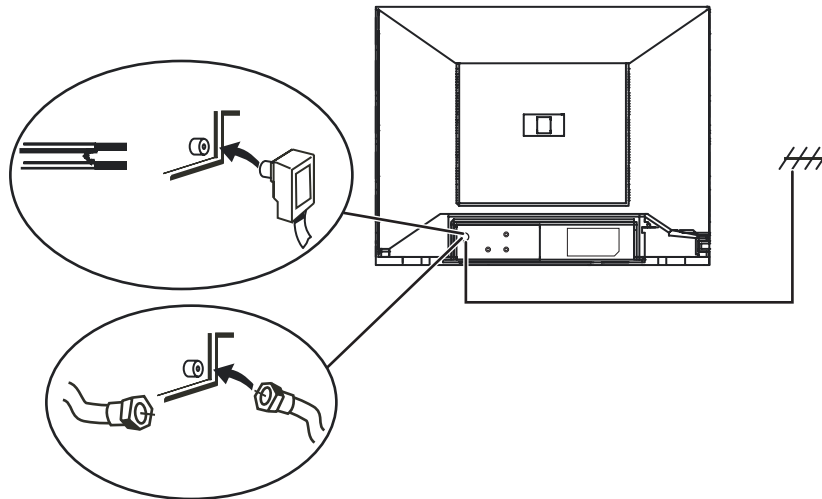
When the remote control will not be used for a long period of time or when the batteries are worn out, remove the batteries to prevent leakage.

## Setting up your TV

### Connecting cable TV or a VHF/UHF external antenna

**Caution**

Do not bind the antenna cable and the power cord together.



**To connect cable TV or a VHF/UHF external antenna:**

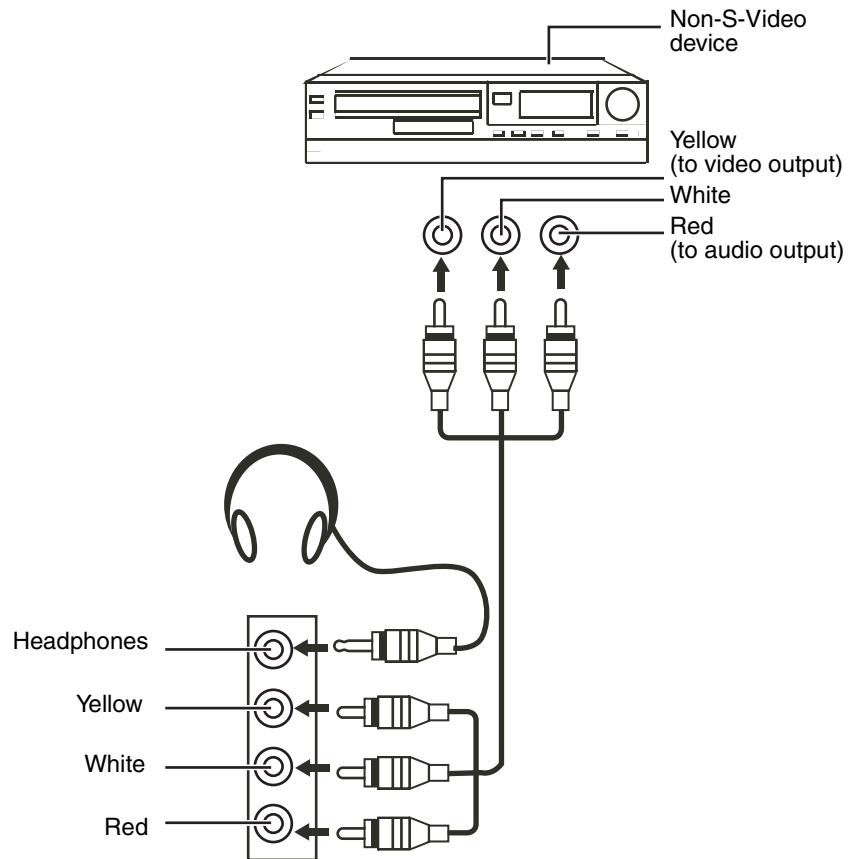
- 1 Connect a 75 Ohm cable to the antenna jack on the back of your TV.
- 2 Connect the other end of the 75 Ohm cable to a cable TV or an external VHF/UHF TV antenna.

**Note**

If you use a 300 flat feeder, you need to connect a 300/75 Ohm converter to the 300 flat feeder, then connect the converter to your TV antenna jack. We recommend using a 75 Ohm cable to reduce interference caused by radio waves.

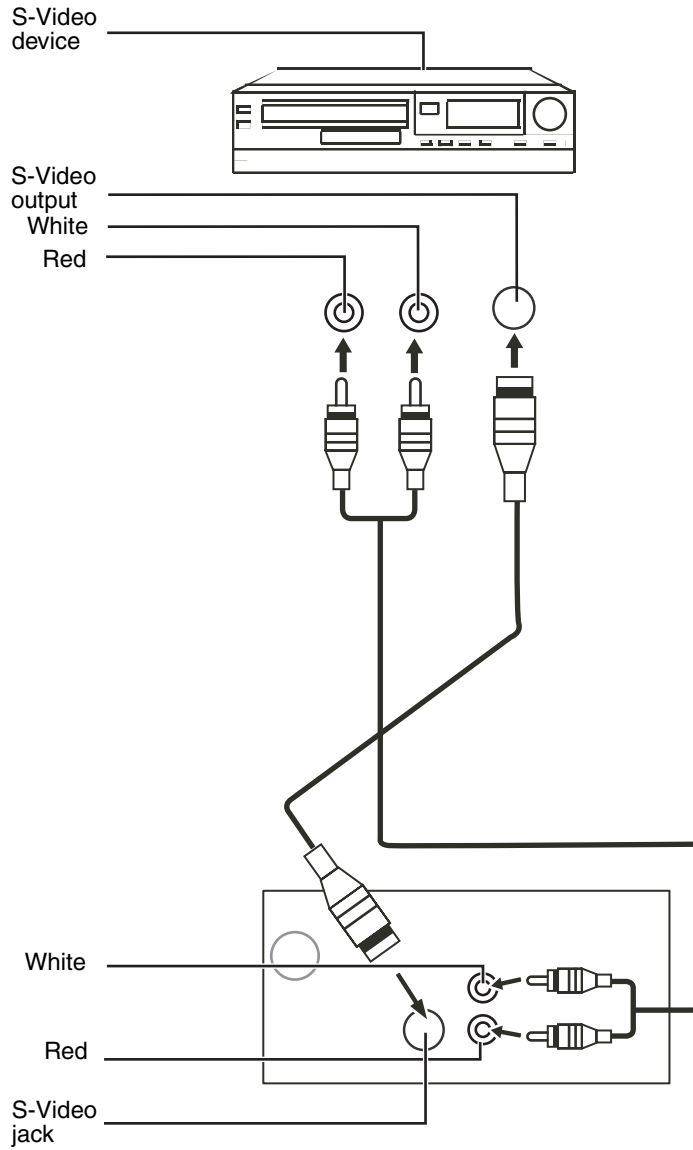
### Connecting a standard video device

If your model has audio jacks on the side, use the following illustration to connect a standard video device to the side jacks.





## Connection an S-Video device



## Using your TV

### Turning your TV on and off

**To turn your TV on and off:**

- 1 Plug the power cord into an electrical outlet.
- 2 Press the **Power** button on your remote control.

**Note**

The power indicator turns off when your TV is active. The power indicator turns red when the your TV is in Standby mode. When your TV has a blue screen or is displaying a screen saver, your TV goes into standby mode after five minutes.

### Selecting the TV signal type

**To select the TV signal type:**

- Press the **DTV/ATV** button. You can select digital TV (**DTV**) or analog TV (**ATV**).

### Changing TV channels

**To change TV channels:**

- Press the **CH**△ or **CH**▽ button on your remote control or TV.

**To enter channel numbers and date settings directly:**

- Analog TV—To enter a two-digit channel number, press the two numbers within two seconds of each other. For example, to select channel 12, press 1 then press 2. The channel changes after two seconds. If you enter a 0 before you enter the 1 and 2, the channel changes immediately.
- Digital TV—To enter a channel number, enter the main channel number, press the • button, then, within four seconds, enter the subchannel number. For example, to select channel 38-12, press 3, 8, •, 1, then 2. If you press the • button after you press 2, the channel changes immediately.

## Adding a channel label

You can add a label to a channel to make it easier to identify. Use the following instructions to add a channel label.

### To add a channel label:

- 1 Open the OSD, then select the *TUNING* menu. For more information, see "Using the on-screen display (OSD)" on page 22.
- 2 Enter the channel you want to add a label to in the **CHANNEL** field.
- 3 Select the **LABEL OPTION**.
- 4 Press the **VOL**  $\triangleright$  or **VOL**  $\triangleleft$  button on your remote control or press the **VOL**  $\triangleup$  or **VOL**  $\triangledown$  button on your TV to select the character you want to enter or edit, then press the appropriate button one or more times to enter the letter you want. Button presses must be within one second of each other. When you stop pressing the letter button, the letter you selected is entered and the cursor moves to the next character. After you have entered all five characters of the label, your label is saved.

## Adjusting the volume

### To adjust the volume:

- Press the **VOL**  $\triangleright$  or **VOL**  $\triangleleft$  button on your remote control or press the **VOL**  $\triangleup$  or **VOL**  $\triangledown$  button on your TV.

## Setting the sleep timer

### To set the sleep timer:

- 1 Press the **SLEEP** button on your remote control one or more times to select the amount of time you want the TV to wait before automatically turning off.
- 2 To cancel the **SLEEP** timer, press the **SLEEP** button one or more times until *SLEEP OFF* appears.

## Selecting the picture mode

### To select the picture mode:

- Press the **PICTURE** button on your remote control one or more times to select the picture mode. You can select **STANDARD**, **DYNAMIC**, **MILD**, or **MEMORY**. You can set up your own picture mode preferences and save them under the **MEMORY** picture mode.

## Selecting the sound mode

### To select the sound mode:

- Press the **AUDIO** button on your remote control one or more times to select the sound mode. You can select **STANDARD**, **NEWS**, **MUSIC**, and **MEMORY**. You can set up your own sound mode preferences and save them under the **MEMORY** sound mode.

## Setting up parental controls

### To set up parental controls for an analog TV signal:

- 1 Open the OSD, select the *FUNCTION* menu, then select the **V-CHIP** option. For more information, see "FUNCTION" on page 24.
- 2 Press the **VOL**  $\triangle$  button on your TV or the **VOL**  $\triangleright$  button on your remote control.
- 3 Enter your four-digit password. The default password is 0358.
- 4 Press the **CH**  $\triangle$  or **CH**  $\nabla$  button to select V-CHIP, press the **VOL**  $\triangleright$  or **VOL**  $\triangleleft$  button to select **ON** or **OFF**.
- 5 Press the **CH**  $\triangle$  or **CH**  $\nabla$  button to select the MPAA, then press the **VOL**  $\triangleright$  or **VOL**  $\triangleleft$  button on your remote control to select the MPAA (movie) rating you want to block. The rating you selected and all other ratings higher than the rating you selected are blocked.

You can select:

- **N/R**—Not rated.
  - **G**—General. Appropriate for all children.
  - **PG**—Parental guidance suggested.
  - **PG13**—Parental guidance. Content not appropriate for children under 13 years of age.
  - **R**—Restricted. Content not appropriate for children under 17 years of age without parental supervision.
  - **NC-17**—Content not appropriate for children under 17 years of age.
  - **X**—Adults only.
- 6 Press the **CH**  $\triangle$  or **CH**  $\nabla$  button to select the **TVPG SETTING**, then press the **VOL**  $\triangleright$  or **VOL**  $\triangleleft$  button on your remote control to open the TVPG SETTING submenu.

- 7 Press the **CH**△ or **CH**▽ button to select the rating you want to block. The rating you selected and all other ratings higher than the rating you selected are blocked. The **RATING** option must be set to **ON** to select a rating.

You can select:

- **TVY**—All children
- **TVY7**—Children seven years of age and older
- **TV-G**—General audiences
- **TV-PG**—Parental guidance suggested
- **TV-14**—Parental guidance strongly suggested
- **TV-MA**—Mature audiences

- 8 Press the **CH**△ or **CH**▽ button to select **CONTENT** items, then press the **VOL**▷ or **VOL**◁ button on your remote control to block TV programs with certain types of content. The **CONTENT** option must be set to **ON** to select a content item.

You can select:

- **D**—Sexually explicit dialog
- **FV**—Fantasy violence
- **L**—Adult language
- **S**—Sexual situations
- **V**—Violence

#### To set parental controls for a digital TV signal:

- 1 Open the OSD, select the *FUNCTION* menu, then select the **V-CHIP** option. For more information, see “FUNCTION” on page 24.
- 2 Press the **VOL**△ button on your TV or the **VOL**▷ button on your remote control.
- 3 Enter your four-digit password. The default password is **0358**.
- 4 Press the **CH**△ or **CH**▽ button to select **DIGITAL VGUIDE**, press the **VOL**▷ or **VOL**◁ button on your remote control to open the submenu.
- 5 Press the **CH**△, **CH**▽, **VOL**▷, or **VOL**◁ button to select an item, then press the **MENU** button to block or unblock the item.
- 6 Press the **V-CHIP** button to save your changes and close the OSD.

**Tip**

To return to a previous menu, select ↶.

## Using the on-screen display (OSD)

Your TV has an on-screen display (OSD) that you use to adjust your TV settings.

### To use the OSD:

- 1 Press the **MENU** button on your remote control or TV to open the OSD.
- 2 Press the **MENU** button one or more times to select a menu.
- 3 Press the **CH**  $\triangle$  or **CH**  $\nabla$  button on your remote control or TV to select an option.
- 4 Press the **VOL**  $\triangleleft$  or **VOL**  $\triangleright$  button on your remote control or the **VOL**  $\triangle$  or **VOL**  $\nabla$  button on your TV to change the option.
- 5 Press the **MENU** button on your remote control or TV one or more times to close the OSD.

### OSD menus and options

Menu	Option
PICTURE	<p><b>BRIGHTNESS</b>—Increases the brightness to add more light to dark areas of the picture. Decreases the brightness to add more dark to light areas of the picture.</p> <p><b>CONTRAST</b>—Increases the picture level to adjust the white areas of the picture. Decreases the picture level to adjust the black areas of the picture.</p> <p><b>COLOR</b>—Adjusts the overall color of the picture.</p> <p><b>SHARPNESS</b>—Increases the sharpness level to show cleaner and clearer images. Decreases the level to show a smoother picture.</p> <p><b>TINT</b>—Increases the color level to add more green to skin tones. Decreases the color level to add more red to skin tones.</p> <p><b>COLOR TEMP</b>—Selects a preset color temperature. You can select NORMAL, WARM, or COLD.</p>

Menu	Option
SOUND	<p><b>VOLUME</b>—Increases and decreases the volume.</p> <p><b>TREBLE</b>—Adjusts the treble.</p> <p><b>BASS</b>—Adjusts the bass.</p> <p><b>BALANCE</b>—Adjusts the balance between the right and left speaker jacks.</p> <p><b>SURROUND</b>—Turns surround sound on or off.</p> <p><b>STEREO</b>—Selects the sound type. You can select NORMAL, ENHANCED, or MONO.</p>
TUNING	<p><b>CHANNEL</b>—Selects the TV channel. Press the channel buttons on the remote control or TV or use the number buttons to enter the channel number.</p> <p><b>DELETE CH</b>—Determines whether the current channel is stored in the channel list. If you select YES, the channel is skipped when you press the channel buttons. If you select NO, the channel is not skipped when you press the channel buttons.</p> <p><b>LABEL</b>—Lets you add a five-character description to a channel number. For more information, see “Adding a channel label” on page 19.</p> <p><b>SOURCE</b>—Selects the source of the TV signal. Select AIR for a VHF/UHF antenna. Select CABLE for a cable TV connection.</p> <p><b>AUDIO</b>—Selects the audio channel. You can select MAIN, SUB1, SUB2, or SUB3. (This option only works in DIGITAL mode.)</p> <p><b>AUTO SEARCH</b>—Scans the channels for available signals, then creates and stores a channel list. If you are using a VHF/UHF antenna, make sure that you select AIR in the SOURCE option. If you are using cable TV, make sure that you select CABLE in the SOURCE option.</p> <p><b>Notes:</b> Press the <b>MENU</b> button to stop scanning. If you are in DIGITAL mode and press the <b>MENU</b> button to stop scanning, the channels found during the scan are not stored.</p> <p>After scanning for channels in DIGITAL mode:</p> <ul style="list-style-type: none"> <li>• If a scrambled channel is displayed, a password is required to see the channel.</li> <li>• If NO VIDEO appears, the channel is an audio channel only.</li> <li>• If NO SIGNAL appears, there is no signal for the channel.</li> </ul>

Menu	Option
<p><b>FUNCTION</b></p>	<p><b>LANGUAGE</b>—Changes the OSD language.</p> <p><b>SCREEN</b>—Selects the screen background when the TV is on and not receiving a signal. You can select OFF, BLUE, BACK, or SAVER.</p> <p><b>CHILD LOCK</b>—Turns the parental locks off and on. When you select this option, you must enter a four-digit password. The default password is MUTE+999.</p> <p><b>CCD</b>—Selects the digital or analog closed captioning mode. Press the VOL up or down button to open the CCD submenu.</p> <ul style="list-style-type: none"> <li>• <b>CCD</b>—(Analog TV signal only) Selects the closed captioning mode. You can select OFF, C1, C2, C3, C4, T1, T2, T3, or T4.</li> <li>• <b>DIGITAL CCD</b>—Select one of six modes (DC1, DC2, DC3, DC4, DC5, DC6) or select OFF.</li> <li>• <b>DIGITAL OPTION</b>—Press the VOL up or down button to open the DIGITAL OPTION submenu. You can select from the following options:</li> <li>• <b>MODE</b>—Selects whether DIGITAL CCD can be adjusted or not. You can select MANUAL or DEFAULT.</li> <li>• <b>COLOR</b>—Press the volume VOL up or down button to select the DIGITAL CCD color.</li> <li>• <b>FOREGROUND</b>—Selects the foreground color. You can select WHITE, RED, GREEN, BLUE, YELLOW, MAGENTA, CYAN, or BLACK.</li> <li>• <b>BACKGROUND</b>—Selects the background color. You can select WHITE, RED, GREEN, BLUE, YELLOW, MAGENTA, CYAN, or BLACK.</li> <li>• <b>OPACITY</b>—Press the VOL up or down button to select DIGITAL CCD OPACITY.</li> <li>• <b>FOREGROUND</b>—Selects the foreground opacity. You can select SOLID, FLASH, TRANSLUCENT, or TRANSPARENT.</li> <li>• <b>BACKGROUND</b>—Selects the background opacity. You can select SOLID, FLASH, TRANSLUCENT, or TRANSPARENT.</li> </ul>



Menu	Option
<b>FUNCTION</b> (continued)	<ul style="list-style-type: none"> <li>• <b>FONT</b>—Press the VOL up or down button to select a DIGITAL CCD font option.</li> <li>• <b>SIZE</b>—Selects the DIGITAL CCD font size. You can select LARGE, SMALL, or STANDARD.</li> <li>• <b>STYLE</b>—Selects the DIGITAL CCD font style. You can select MONO SERIF, PROP-SERIF, MONO-SANS, PROP-SANS, CASUAL, CURSIVE, SMALL-CAPS, or EXTENDED.</li> </ul> <p><b>V-CHIP</b>—Sets up the V-Chip to block or unblock TV programs. For more information, see “Setting up parental controls” on page 20.</p>

## Specifications

Receiving system	TV: NTSC, ATSC (8VSB, 64QAM, 256QAM) AV: NTSC3.58 @ 60 Hz
Functions	S-Video Headphone CCD V-Chip Parental lock AV stereo
Sound output	1 W × 2
Power supply	120 V AC
Remote control batteries	1.5 V (2)
Rated power consumption	70 W
Dimensions W × D × H	16.54 × 15.08 × 13.92 inches (42.0 × 38.3 × 35.35 cm)
Weight	26.46 lbs. (12.0 kg)

## Remote control

Transmission system	Infrared
Controlling range	27.9 ft. (8.5 m)
Batteries	AAA 1.5 V (2)
Controlling angle	30° horizontal
Dimensions W × D × H	1.93 × 6.14 × 0.81 inches (4.9 × 15.6 × 2.1 cm)
Weight	3 ounces (85 g)

## Troubleshooting

Problem	Solution
Picture has snow and sound is not clear	Make sure that the outside antenna is connected correctly. Reposition the outside antenna.
Picture shows a double or triple image, but the sound is clear	The multiple image is called "ghosting." Connect your TV to an outside antenna. Make sure that you use good quality cables and terminations. Reposition the outside antenna.
Picture has lines (waves) and the sound is distorted	Electrical interference can be caused by cars and motorcycles. Electrical interference can also be caused by fluorescent lamps and other appliances. Try plugging your TV into a different electrical outlet, preferably an outlet on a different circuit.
No sound	Make sure that the volume is turned up and the mute control is turned off.

<b>Problem</b>	<b>Solution</b>
No picture and no sound	Make sure that the power cord is plugged into a working outlet. Make sure that the brightness and contrast level are not set too low.
Picture has no color	Adjust the color controls.
Picture is scrambled	Change the channel.
Picture has spots	Color can be affected by moving your TV, turning on appliances like a vacuum cleaner near your TV, or placing magnets too close to your TV. Turn off your TV using the Power button on the TV (not on the remote control). Leave your TV off for at least 15 minutes. If the picture still has spots, turn off your TV and leave it off overnight.

## Maintenance

Unplug your TV from the wall outlet before cleaning.

Do not use liquid cleaners or aerosol cleaners.

Wipe the exterior with a soft cloth dampened with water. Do not spray water directly on the screen or exterior.

## Legal notices

### Copyright

© 2007 Insignia. Insignia and the Insignia logo are trademarks of Best Buy Enterprise Services, Inc. Other brands and product names are trademarks or registered trademarks of their respective holders. Specifications and features are subject to change without notice or obligation.

## FCC Statement

### *FCC Notice*

#### ***Class B digital device***

This equipment has been tested and found to comply with the limits for a Class B digital device, pursuant to part 15 of the FCC Rules.

These limits are designed to provide reasonable protection against harmful interference when the equipment is operated in a residential environment. This equipment generates, uses, and can radiate radio frequency energy and, if not installed and used in accordance with the instructions in this manual, may cause harmful interference to radio communications.

**Caution**

Pursuant to 47CFR, Part 15.21 of the FCC rules, any changes or modifications to this device not expressly approved by the manufacturer could cause harmful interference and would void the user's authority to operate this device.

**Caution**

This is a CLASS B product. In a domestic environment this product may cause radio interference, in which case the user may be required to take adequate measures to counter interference.

## 1 year limited warranty

Insignia Products ("Insignia") warrants to you, the original purchaser of this new **NS-F14TV** ("Product"), that the Product shall be free of defects in the original manufacture of the material or workmanship for a period of one (1) year from the date of your purchase of the Product ("Warranty Period"). This Product must be purchased from an authorized dealer of Insignia brand products and packaged with this warranty statement. This warranty does not cover refurbished Product. If you notify Insignia during the Warranty Period of a defect covered by this warranty that requires service, terms of this warranty apply.

### ***How long does the coverage last?***

The Warranty Period lasts for 1 year (365 days) from the date you purchased the Product. The purchase date is printed on the receipt you received with the Product.

### ***What does this warranty cover?***

During the Warranty Period, if the original manufacture of the material or workmanship of the Product is determined to be defective by an authorized Insignia repair center or store personnel, Insignia will (at its sole option): (1) repair the Product with new or rebuilt parts; or (2) replace the Product at no charge with new or rebuilt comparable products or parts. Products and parts replaced under this warranty become the property of Insignia and are not returned to you. If service of Products or parts are required after the Warranty Period expires, you must pay all labor and parts charges. This warranty lasts as long as you own your Insignia Product during the Warranty Period. Warranty coverage terminates if you sell or otherwise transfer the Product.

### ***How to obtain warranty service?***

If you purchased the Product at a retail store location, take your original receipt and the Product to the store you purchased it from. Make sure that you place the Product in its original packaging or packaging that provides the same amount of protection as the original packaging. If you purchased the Product from an online web site, mail your original receipt and the Product to the address listed on the web site. Make sure that you put the Product in its original packaging or packaging that provides the same amount of protection as the original packaging.

To obtain in-home warranty service for a television with a screen 25 inches or larger, call 1-888-BESTBUY. Call agents will diagnose and correct the issue over the phone or will have an Insignia-approved repair person dispatched to your home.

### ***Where is the warranty valid?***

This warranty is valid only to the original purchaser of the product in the United States and Canada.

### ***What does the warranty not cover?***

This warranty does not cover:

- Customer instruction
- Installation
- Set up adjustments
- Cosmetic damage
- Damage due to acts of God, such as lightning strikes
- Accident
- Misuse
- Abuse
- Negligence
- Commercial use

- Modification of any part of the Product, including the antenna
- Plasma display panel damaged by static (non-moving) images applied for lengthy periods (burn-in).

This warranty also does not cover:

- Damage due to incorrect operation or maintenance
- Connection to an incorrect voltage supply
- Attempted repair by anyone other than a facility authorized by Insignia to service the Product
- Products sold as is or with all faults
- Consumables, such as fuses or batteries
- Products where the factory applied serial number has been altered or removed

REPAIR REPLACEMENT AS PROVIDED UNDER THIS WARRANTY IS YOUR EXCLUSIVE REMEDY. INSIGNIA SHALL NOT BE LIABLE FOR ANY INCIDENTAL OR CONSEQUENTIAL DAMAGES FOR THE BREACH OF ANY EXPRESS OR IMPLIED WARRANTY ON THIS PRODUCT, INCLUDING, BUT NOT LIMITED TO, LOST DATA, LOSS OF USE OF YOUR PRODUCT, LOST BUSINESS OR LOST PROFITS. INSIGNIA PRODUCTS MAKES NO OTHER EXPRESS WARRANTIES WITH RESPECT TO THE PRODUCT, ALL EXPRESS AND IMPLIED WARRANTIES FOR THE PRODUCT, INCLUDING, BUT NOT LIMITED TO, ANY IMPLIED WARRANTIES OF AND CONDITIONS OF MERCHANTABILITY AND FITNESS FOR A PARTICULAR PURPOSE, ARE LIMITED IN DURATION TO THE WARRANTY PERIOD SET FORTH ABOVE AND NO WARRANTIES, WHETHER EXPRESS OR IMPLIED, WILL APPLY AFTER THE WARRANTY PERIOD. SOME STATES, PROVINCES AND JURISDICTIONS DO NOT ALLOW LIMITATIONS ON HOW LONG AN IMPLIED WARRANTY LASTS, SO THE ABOVE LIMITATION MAY NOT APPLY TO YOU. THIS WARRANTY GIVES YOU SPECIFIC LEGAL RIGHTS, AND YOU MAY ALSO HAVE OTHER RIGHTS, WHICH VARY FROM STATE TO STATE OR PROVINCE TO PROVINCE.

Contact Insignia:

For customer service please call 1-877-467-4289

[www.insignia-products.com](http://www.insignia-products.com)

INSIGNIA™ is a trademark of Best Buy Enterprise Services, Inc.

Distributed by Best Buy Purchasing, LLC.

Insignia, 7601 Penn Avenue South, Richfield, Minnesota, U.S.A.

# Insignia NS-F14TV TV à écran plat de 14 po

## Table des matières

Bienvenue . . . . .	31
Informations sur la sécurité . . . . .	32
Fonctionnalités . . . . .	36
Installation du téléviseur . . . . .	44
Fonctionnement du téléviseur . . . . .	47
Spécifications . . . . .	56
Problèmes et solutions . . . . .	57
Entretien . . . . .	58
Avis juridiques . . . . .	58
Garantie limitée d'un an . . . . .	61

## Bienvenue

Félicitations d'avoir acheté ce produit Insignia de haute qualité. Le modèle NS-14FTV représente la dernière avancée technologique dans la conception de téléviseur couleur et a été conçu pour des performances et une fiabilité exceptionnelles.

## Informations sur la sécurité

**Avertissement**

Risque de choc électrique Ne pas ouvrir. L'utilisateur ne doit pas essayer de réparer cet appareil lui-même, en effet son ouverture ou le démontage des couvercles peut l'exposer à des tensions dangereuses et à d'autres dangers. Toutes les réparations doivent être réalisées par du personnel qualifié.

**Avertissement**

Afin de réduire le risque d'incendie et de choc électrique, ne pas exposer ce téléviseur à la pluie ou l'humidité. Ne pas exposer cet appareil aux gouttes d'eau ou aux éclaboussures. Ne pas placer d'objets tels qu'un vase rempli de liquide sur l'appareil.

**Avertissement**

Pour éviter un incendie, ne pas mettre une source de lumière telle qu'une chandelle allumée sur l'appareil.

**Avertissement**

Laisser un espace d'environ 4 po (10 cm) autour de l'appareil pour une bonne ventilation. Ne pas bloquer les ouvertures de ventilation avec des articles tels que des journaux, des nappes, des rideaux ou autres articles similaires.

**Avertissement**

En cas de fumée, bruits ou odeurs étranges émanant de l'appareil, le mettre hors tension, le débrancher de la prise murale et contacter le détaillant ou le centre de réparation.

### ***Lire les instructions***

Lire toutes les instructions de sécurité et d'utilisation avant d'utiliser cet appareil.

### ***Conserver les instructions***

Conserver les instructions de sécurité et de fonctionnement pour toute référence ultérieure.

### ***Respecter les avertissements***

Respecter tous les avertissements sur cet appareil ainsi que dans les instructions d'utilisation.

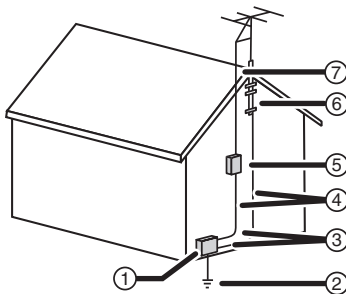


### Observer les instructions

Toutes les instructions d'utilisation et de fonctionnement doivent être observées.

### Mise à la terre d'une antenne externe

Si cet appareil est connecté à une antenne extérieure ou à un réseau câblé, vérifiez que l'antenne ou la connexion au réseau câblé est mise à la terre afin de bénéficier d'une certaine protection contre les sautes de tension et les charges électrostatiques. L'article 810 du Code national de l'électricité (CNE), ANSI/NFPA 70, fournit des informations relatives à la mise à la terre correcte du mât et du support, la mise à la terre du fil conducteur de l'antenne à l'unité de décharge de l'antenne, la taille des conducteurs de mise à la terre, l'emplacement de l'unité de décharge de l'antenne, la connexion aux conducteurs de terre ainsi que les normes en matière de prise de terre.



1	Équipement de la compagnie d'électricité
2	Système de mise à la terre des électrodes de la compagnie d'électricité
3	Serre-fils de mise à la terre
4	Conducteurs de mise à la terre
5	Unité de décharge de l'antenne
6	Serre-fil de mise à la terre
7	Fil conducteur de l'antenne

**Nettoyage**

Débrancher l'appareil de la prise murale avant tout nettoyage. Ne pas utiliser de nettoyants liquides ou en aérosol. Utiliser un chiffon humide uniquement pour le nettoyage du châssis extérieur.

**Foudre**

Pour protéger l'appareil pendant un orage ou s'il est inutilisé et sans surveillance pendant une durée prolongée, le débrancher de la prise murale et débrancher l'antenne ou la connexion au réseau câblé. Ceci évitera d'endommager l'appareil en cas de foudre et de variations de tension du secteur.

**Protection du cordon d'alimentation**

Les cordons d'alimentation électrique doivent être acheminés afin que personne ne puisse marcher dessus et qu'aucun objet posé dessus ne vienne les entraver. Prêter particulièrement attention aux points de branchement du cordon à la prise murale et à l'endroit d'où le cordon sort de l'appareil.

**Eau et humidité**

Ne pas utiliser cet appareil à proximité de l'eau, par exemple : baignoire, bac à linge, évier, cuve à lessive, dans un sous-sol humide ou à proximité d'une piscine.

**Ventilation**

Les fentes et ouvertures au dos et au bas du boîtier sont prévues pour la ventilation, afin d'assurer un fonctionnement fiable de l'appareil et de le protéger contre toute surchauffe. Ces ouvertures ne doivent être ni bloquées ni obstruées. Ne pas placer l'appareil sur un lit, un sofa, une moquette ou toute autre surface semblable. Ne pas placer l'appareil à proximité ou au-dessus d'un radiateur ou d'une source de chaleur. Ne pas installer l'appareil dans un meuble encastré tel qu'une bibliothèque ou sur une étagère, sauf si une ventilation adéquate a été prévue ou si les instructions du fabricant ont été respectées.

**Source d'alimentation**

Ne brancher cet appareil qu'à la source d'alimentation indiquée sur la plaque signalétique de l'appareil. En cas d'incertitude sur la tension d'alimentation électrique de la maison, consulter le revendeur ou la compagnie d'électricité.

### ***Déplacement de l'appareil***

Si l'appareil est déplacé d'un endroit froid vers un endroit chaud, attendre que la condensation intérieure se soit complètement dissipée avant de le mettre sous tension.

### ***Lumière solaire***

Positionner l'appareil afin que l'écran ne soit pas exposé directement à la lumière solaire.

### ***Environnement de visionnement***

Utiliser une lumière douce, indirecte pour regarder la télévision. Un environnement totalement sombre allié à la lumière de l'écran peut provoquer une fatigue oculaire.

### ***Perturbations électromagnétiques***

Conserver l'appareil à l'écart de champs magnétiques élevés tels que des haut-parleurs alimentés, afin d'éviter d'affecter l'image.

### ***Maintenance***

Utiliser un transformateur d'alimentation isolé pendant l'entretien, sinon le boîtier de l'appareil peut être conducteur d'électricité.

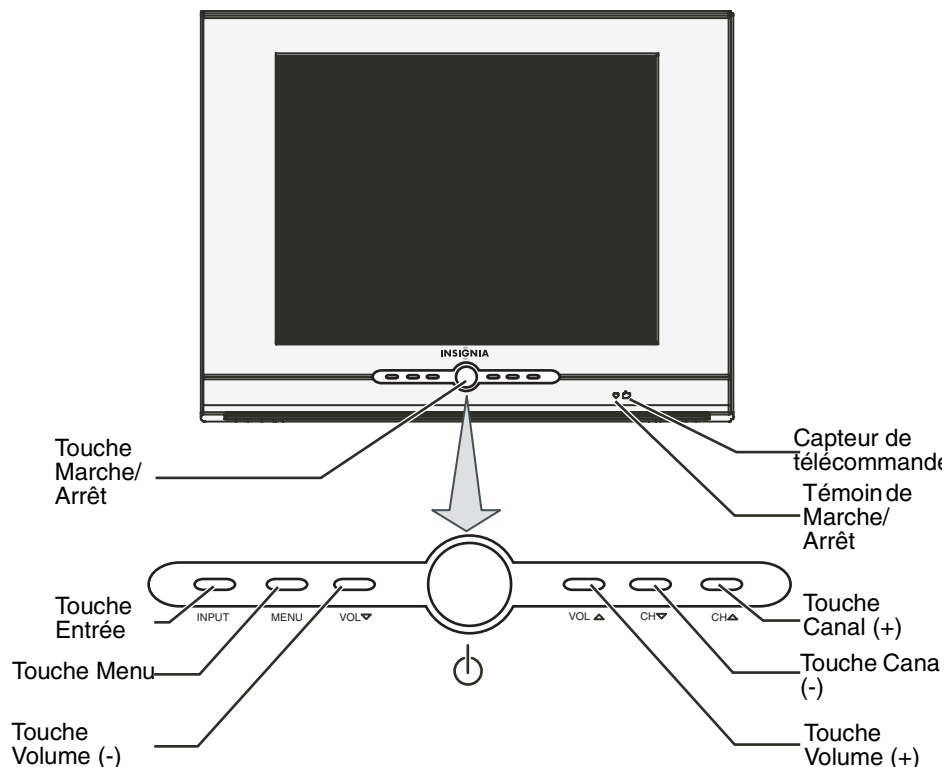
### ***Avis à l'installateur de télévision par câble***

Le présent avis a pour objet de rappeler à l'installateur de systèmes de télévision par câble que l'article 820-40 du Code national de l'électricité contient des recommandations relatives à la mise à la masse de l'appareil et, en particulier, stipule que la terre du câble doit être connectée au système de mise à la terre de l'immeuble, aussi prêt que possible du point d'entrée du câble.

## Fonctionnalités

### Face avant

L'emplacement des caractéristiques peut varier selon le modèle de l'appareil.

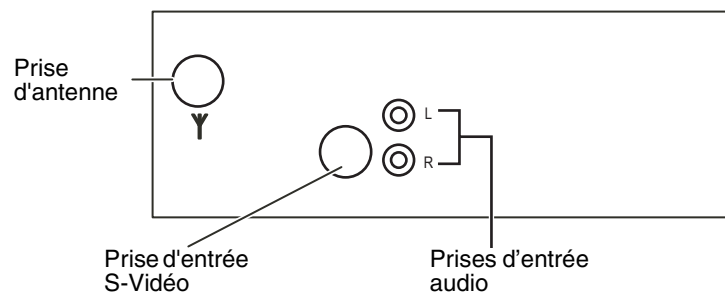


Fonctionnalités	Description
Touche Marche/Arrêt	Permet d'allumer ou d'éteindre le téléviseur.
Témoin de Marche/Arrêt	Deviens rouge quand l'appareil est en mode attente.
Capteur de télécommande	Reçoit les signaux de la télécommande. Ne pas obstruer la transmission des signaux.

Fonctionnalités	Description
Touche ENTRÉE	Permet de sélectionner la source d'entrée vidéo.
Touche MENU	Touche d'accès aux menus d'écran (OSD).
Touche VOL ▽	Permet de diminuer le volume sonore.
Touche VOL △	Permet d'augmenter le volume sonore.
Touche CH ▽	Touche de syntonisation à un canal inférieur.
Touche CH △	Touche de syntonisation à un canal supérieur.

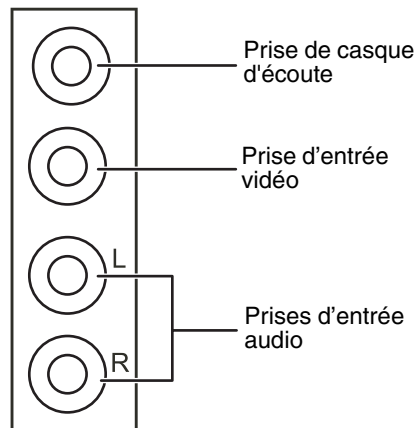
## Face arrière

Le type et l'emplacement des prises peuvent varier selon le modèle de l'appareil. Pour plus d'informations, voir "Spécifications" on page 56.

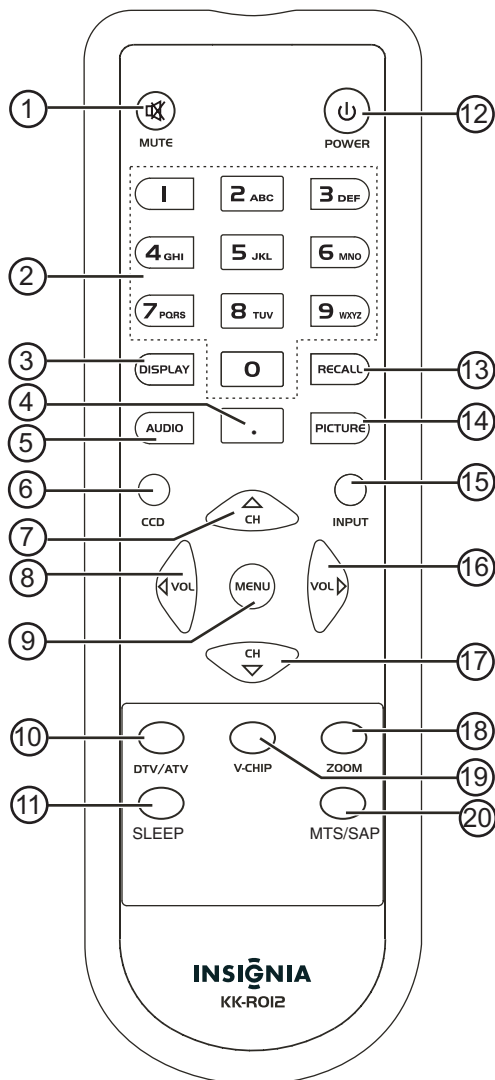


## Panneau latéral

L'emplacement des prises peut varier selon le modèle de l'appareil.



## Télécommande



N°	Touche	Description
1	SOURDINE	Permet de mettre le son en sourdine.

N°	Touche	Description
2	Chiffres/lettres	Permettent de saisir les numéros de canaux. Permet de saisir les lettres quand une étiquette est rajoutée à un canal.
3	AFFICHAGE	Touche d'affichage de l'information sur le canal.
4	•	Permettent de saisir les numéros de canaux de la télévision numérique. Pour plus d'informations, voir « Changement de canal TV », à la page 47.
5	AUDIO	Appuyer une ou plusieurs fois sur cette touche pour sélectionner un des modes audio pré-réglés.
6	Sous-titres codés	Touche pour activer ou désactiver les sous-titres.
7	CH △	Pendant le visionnement de la télévision, appuyer sur cette touche pour syntoniser un canal supérieur. Quand l'OSD est utilisé, permet de sélectionner une option de menu.
8	VOL ◀	Pendant le visionnement de la télévision, appuyer sur cette touche pour diminuer le volume. Dans un menu OSD, appuyer sur cette touche pour faire défiler vers le bas les options de menu.
9	MENU	Permet d'accéder aux menus d'écran (OSD).
10	TVN/TVA	Permet de sélectionner le type de signal TV. Il est possible de sélectionner TVN (TV numérique) ou TVA (TV analogique).
11	ARRÊT DIFFÉRÉ	Touche d'accès à la configuration de l'arrêt différé.
12	MARCHE/ARRÊT	Touche de mise sous et hors tension de l'appareil. Si l'appareil est en mode attente (économie d'énergie), cette touche permet de quitter le mode attente.
13	RAPPEL	Pendant le visionnement de la télévision, cette touche permet de retourner au canal antérieur.



N°	Touche	Description
14	IMAGE	Appuyer une ou plusieurs fois sur cette touche pour sélectionner un des modes d'image préréglé.
15	ENTRÉE	Touche de sélection du signal d'entrée vidéo.
16	VOL ▷	Pendant le visionnement de la télévision, appuyer sur cette touche pour augmenter le volume. Dans un menu OSD, appuyer sur cette touche pour faire défiler vers le haut les options de menu.
17	CH ▽	Pendant le visionnement de la télévision, appuyer sur cette touche pour syntoniser un canal inférieur. Quand l'OSD est utilisé, permet de sélectionner une option de menu.
18	ZOOM	Permet de sélectionner le mode d'affichage à l'écran. Il est possible de sélectionner STANDARD, FULL (Plein écran) ou ZOOM (cette touche n'est disponible que pour le signal TV numérique au format 16:9).
19	Puce antiviolence	Permet d'ouvrir ou fermer le Contrôle parental.
20	MTS/SAP	Appuyer une ou plusieurs fois sur cette touche pour sélectionner le canal audio (disponible uniquement en mode TVN).

**Programmation de la télécommande universelle**

L'appareil est compatible avec la majorité des télécommandes universelles.

Marque de la télécommande	Code de programme
Philips	115
DirecTV	10463
RCA	135
One-For-All	0463
Sony	8042

Pour la compatibilité avec d'autres télécommandes universelles, utiliser les codes indiqués pour ces marques : Emerson, Memorex, Orion, Sansui, Sylvania ou Zenith.

**Programmation de la télécommande universelle**

L'appareil est compatible avec la majorité des télécommandes universelles.

Marque de la télécommande	Code de programme
Philips	115
DirecTV	10463
RCA	135
One-For-All	0463
Sony	8042

Pour la compatibilité avec d'autres télécommandes universelles, utiliser les codes indiqués pour ces marques : Emerson, Memorex, Orion, Sansui, Sylvania ou Zenith.

## ***Installation des piles de la télécommande***

### **Avertissement**

Ne pas jeter les piles dans le feu. Se débarrasser des piles usagées en suivant les normes relatives aux déchets dangereux.

### **Attention**

Ne pas laisser tomber ni démonter la télécommande. Ne pas mouiller la télécommande.

### **Pour installer les piles dans la télécommande :**

- 1** Retirer le couvercle du compartiment des piles.
- 2** Insérer deux piles AAA dans le compartiment. Vérifier que les symboles +/- sur la pile coïncident avec les repères +/- à l'intérieur du compartiment.
- 3** Remettre le couvercle du compartiment des piles.

### **Remarque**

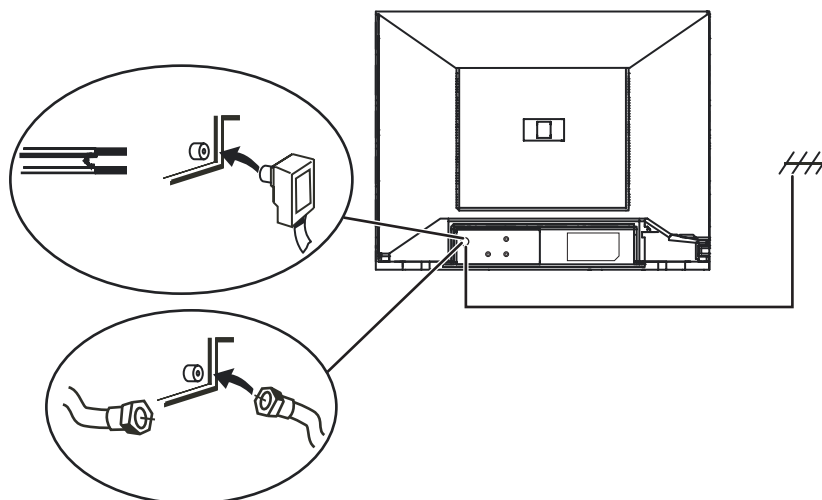
Retirer la pile si la télécommande ne va pas être utilisée pendant une période prolongée ou si elle est morte, pour éviter toute fuite.

## Installation du téléviseur

### Connexion à la télévision câblée ou à une antenne externe VHF/UHF

**Attention**

Ne pas attacher le câble d'antenne et le cordon d'alimentation ensemble.

**Pour connecter à la télévision câblée ou à une antenne externe VHF/UHF :**

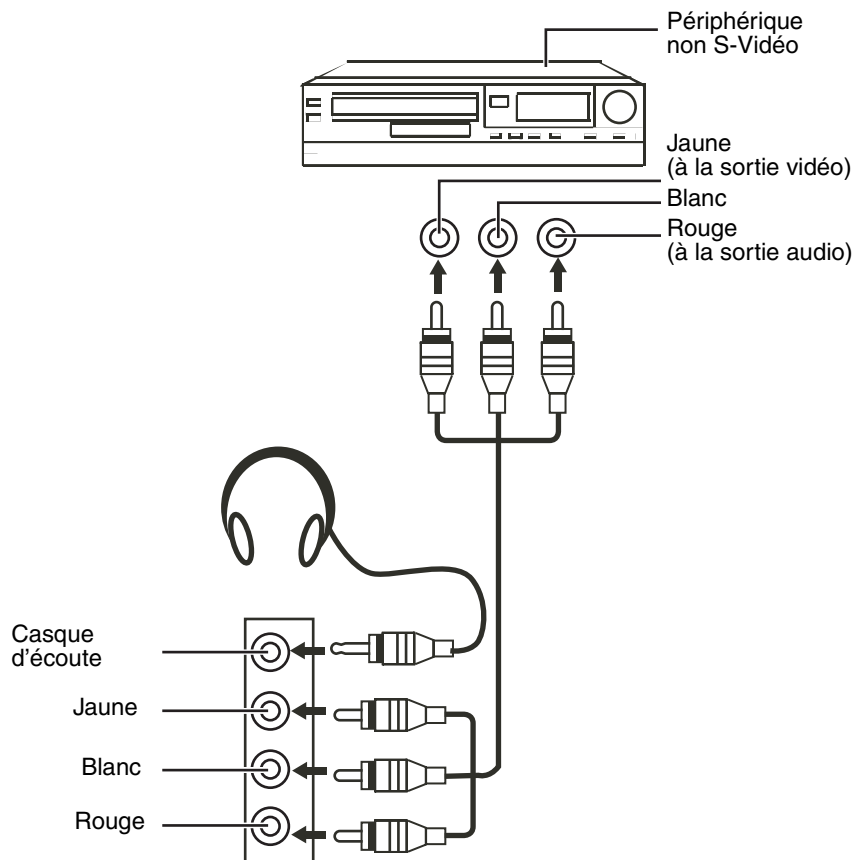
- 1 Connecter un câble de 75 ohms à la prise d'antenne à l'arrière de l'appareil.
- 2 Connecter l'autre extrémité du câble de 75 ohms à la télévision câblée ou à une antenne externe VHF/UHF.

**Remarque**

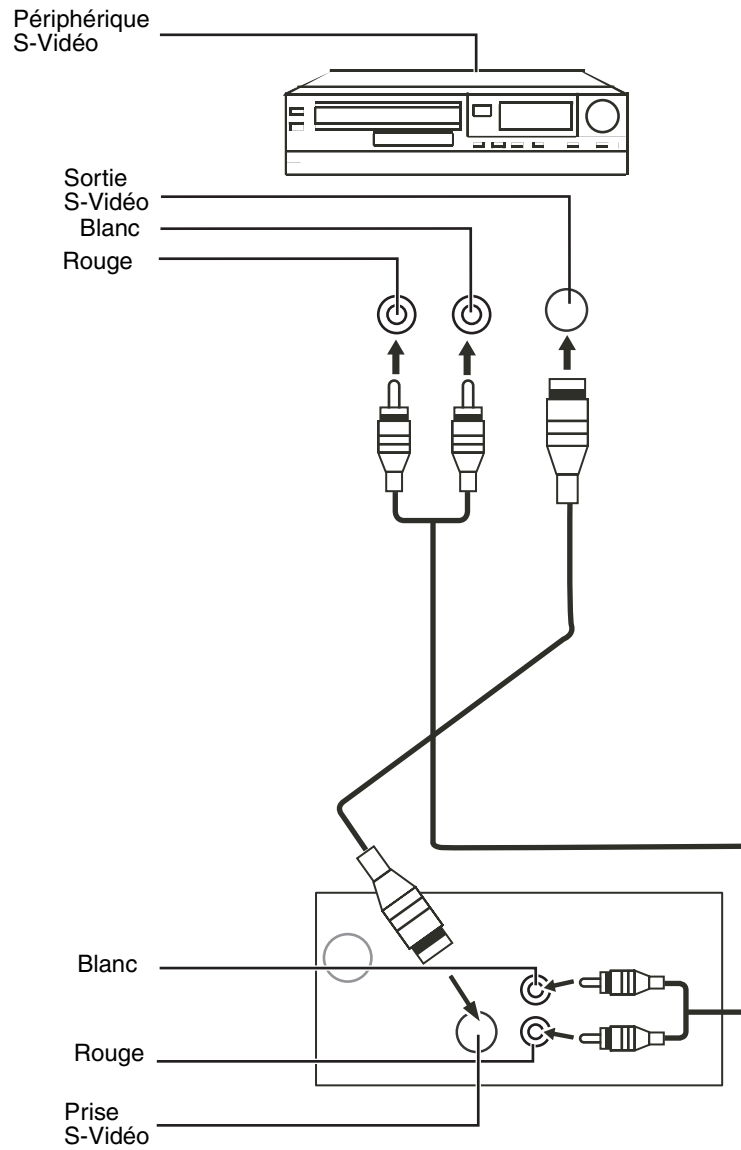
Avec un feeder d'antenne plat 300 il est nécessaire de connecter un convertisseur 300/75 ohms, puis connecter le convertisseur à la prise d'antenne TV. Il est recommandé d'utiliser un câble de 75 ohms pour réduire les interférences provoquées par les ondes radio.

## Connexion d'un périphérique vidéo standard

Si le modèle dispose de prises audio sur le panneau latéral, se reporter à l'illustration suivante pour connecter un périphérique vidéo standard aux prises latérales.



## Connexion d'un périphérique S-Vidéo



## Fonctionnement du téléviseur

### Mise en Marche/Arrêt du téléviseur

**Pour mettre le téléviseur sous et hors tension :**

- 1 Brancher le cordon d'alimentation sur une prise secteur.
- 2 Appuyer sur **Power** (Marche/Arrêt) de la télécommande.

**Remarque**

Le témoin d'alimentation s'allume quand le téléviseur est en fonctionnement. Le témoin d'alimentation s'allume en rouge quand le téléviseur est mode d'attente. Quand le téléviseur a un écran bleu ou que l'économiseur d'écran est actif, il se met en mode d'attente au bout de cinq minutes.

### Sélection du type de signal TV

**Pour sélectionner le type de signal TV :**

- Appuyer sur **DTV/ATV** (TVN/TVA). Il est possible de sélectionner **DTV** (TV numérique) ou **ATV** (TV analogique).

### Changement de canal TV

**Pour changer de canal TV :**

- Appuyer sur **CH**△ ou **CH**▽ de la télécommande ou du téléviseur.

**Pour entrer les numéros de canal et régler la date directement :**

- TV analogique – pour saisir un numéro de canal à deux chiffres, appuyer sur les deux chiffres dans les deux secondes. Par exemple, pour sélectionner le canal 12, appuyer sur 1 puis 2. Le canal change après deux secondes. Si un 0 est saisi avant d'entrer le 1 et le 2, le canal change immédiatement.
- TV numérique – Pour entrer un numéro de canal, saisir le numéro du canal principal, appuyer sur la touche •, puis, dans les quatre secondes, saisir le numéro du sous-canal. Par exemple, pour sélectionner le canal 38-12, appuyer sur 3, 8, •, 1, puis 2. Si la touche • et appuyer après le 2, le canal change immédiatement.

## Ajout d'une étiquette à un canal

Il est possible d'ajouter une étiquette (description) à un canal pour faciliter son identification. Utiliser les instructions qui suivent pour ajouter une étiquette à un canal.

### Pour effacer une étiquette de canal :

- 1 Accéder aux menus d'écran (OSD), puis sélectionner le menu *TUNING* (Syntonisation). Pour plus d'informations, voir "Utilisation des menus d'écran (OSD)" on page 51.
- 2 Saisir le canal devant faire l'objet de l'ajout d'une étiquette dans le champ **CHANNEL** (Canal).
- 3 Sélectionner **LABEL OPTION** (Option étiquette).
- 4 Appuyer sur **VOL**▷ ou **VOL**◁ de la télécommande ou sur **VOL**△ ou **VOL**▽ du téléviseur pour sélectionner le caractère à saisir ou éditer, puis appuyer sur la touche appropriée une ou plusieurs fois pour saisir la lettre souhaitée. Le délai entre l'appui sur les touches ne doit pas dépasser une seconde. Après l'appui sur la touche alphabétique, la lettre sélectionnée est saisie et le curseur passe au caractère suivant. Quand les cinq caractères de l'étiquette ont été saisis, l'étiquette est enregistrée.

## Réglage du volume

### Pour régler le volume :

- Appuyer sur **VOL**▷ ou **VOL**◁ de la télécommande ou sur **VOL**△ ou **VOL**▽ du téléviseur.

## Réglage de l'arrêt différé

### Pour régler l'arrêt différé :

- 1 Appuyer sur **SLEEP** (Arrêt différé) de la télécommande une ou plusieurs fois pour sélectionner la durée avant la mise hors tension automatique du téléviseur.
- 2 Pour annuler l'arrêt différé, appuyer sur **SLEEP** une ou plusieurs fois jusqu'à l'affichage de *SLEEP OFF* (Arrêt différé désactivé).



## Sélection du mode d'image.

### Pour sélectionner le mode d'image :

- Appuyer sur la touche **PICTURE** (Image) de la télécommande une ou plusieurs fois pour sélectionner le mode d'image. Il est possible de sélectionner **STANDARD**, **DYNAMIC** (Dynamique), **MILD** (Doux), ou **MEMORY** (Mémoire). Il est possible de configurer ses propres préférences de mode d'image et de les mémoriser à l'aide du mode d'image **MEMORY**.

## Sélection du mode son

### Pour sélectionner le mode son :

- Appuyer sur **AUDIO** de la télécommande une ou plusieurs fois pour sélectionner le mode son. Il est possible de sélectionner **STANDARD**, **NEWS** (Informations), **MUSIC** (Music), ou **MEMORY** (Mémoire). Il est possible de configurer ses propres préférences de mode de son et de les mémoriser à l'aide du mode son **MEMORY**.

## Configuration du contrôle parental

### Pour configurer le contrôle parental pour les émissions télévisées :

- 1 Accéder au menu OSD, sélectionner le menu **FUNCTION** (Fonction), puis l'option **V-CHIP** (Puce antiviolence). Pour plus d'informations, voir "FUNCTION" on page 24.
- 2 Appuyer sur **VOL**  $\triangle$  du téléviseur ou sur **VOL**  $\triangleright$  de la télécommande.
- 3 Entrer le mot de passe à quatre chiffres. Le mot de passe par défaut est 0358.
- 4 Appuyer sur **CH**  $\triangle$  ou **CH**  $\nabla$  pour sélectionner V-CHIP, appuyer sur **VOL**  $\triangleright$  ou **VOL**  $\triangleleft$  pour sélectionner **ON** (Activé) ou **OFF** (Désactivé).

- 5 Appuyer sur **CH**△ ou **CH**▽ pour sélectionner MPAA, puis sur **VOL**▷ ou **VOL**◁ de la télécommande pour sélectionner la classification MPAA (film) à interdire. La classification sélectionnée ainsi que celles qui lui sont supérieures sont verrouillées.

Il est possible de sélectionner :

- **N/R** (N/C) – Non classifié.
- **G** – Tout public. Approprié pour les enfants de tous âges.
- **PG** – Contrôle parental suggéré.
- **PG13** – Contrôle parental. Contenu interdit aux moins de 13 ans.
- **R** – Interdit. Contenu interdit aux enfants de moins de 17 ans en l'absence des parents.
- **NC-17** – Contenu interdit aux enfants de moins de 17 ans.
- **X** – Pour adultes uniquement.

- 6 Appuyer sur **CH**△ ou **CH**▽ pour sélectionner **TVPG SETTING** (Classification TV), puis appuyer sur **VOL**▷ ou **VOL**◁ de la télécommande pour accéder au sous-menu TVPG SETTING.

- 7 Appuyer sur **CH**△ ou **CH**▽ pour sélectionner la classification à interdire. La classification sélectionnée ainsi que celles qui lui sont supérieures sont verrouillées. L'option **RATING** (Classification) doit être réglée sur **ON** (Activée) pour sélectionner une classification.

Il est possible de sélectionner :

- **TV-Y** – Tous les enfants.
- **TVY7** – Interdit aux enfants de moins de 7 ans
- **TV-G** – Tout public
- **TV-PG** – Surveillance parentale suggérée
- **TV-14** – Mise en garde sérieuse des parents
- **TV-MA** – Adultes

- 8 Appuyer sur **CH**△ ou **CH**▽ pour sélectionner **CONTENT** (contenu), puis appuyer sur **VOL**▷ ou **VOL**◁ de la télécommande pour interdire les émissions TV avec certains types de contenus. L'option **CONTENT** (Contenu) doit être réglée sur **ON** (Activée) pour sélectionner un élément de contenu.

Il est possible de sélectionner :

- **D** – Dialogue à caractère sexuel explicite
- **FV** – Violence fictive
- **L** – Vulgarités
- **S** – Scènes à caractère sexuel explicite
- **V** – Violence

**Pour régler le contrôle parental d'un signal TV numérique :**

- 1 Accéder au menu OSD, sélectionner le menu *FUNCTION* (Fonction), puis l'option **V-CHIP** (Puce antiviolence). Pour plus d'informations, voir "FONCTION" on page 54.
- 2 Appuyer sur **VOL**△ du téléviseur ou sur **VOL**▷ de la télécommande.
- 3 Saisir le mot de passe à quatre chiffres. Le mot de passe par défaut est **0358**.
- 4 Appuyer sur **CH**△ ou **CH**▽ pour sélectionner DIGITAL TV GUIDE (Guide TV numérique), puis sur **VOL**▷ ou **VOL**◁ de la télécommande pour ouvrir le sous-menu.
- 5 Appuyer sur **CH**△, **CH**▽, **VOL**▷ ou **VOL**◁ pour sélectionner une option, puis sur **MENU** pour interdire ou autoriser l'option.
- 6 Appuyer sur **V-CHIP** (Puce antiviolence) pour enregistrer les modifications et fermer l'OSD.

**Conseil**

Pour revenir à un menu antérieur, sélectionner ↶.

**Utilisation des menus d'écran (OSD)**

Le téléviseur a des menus d'écrans (OSD) qui permettent de régler divers paramètres.

**Utilisation de l'OSD :**

- 1 Appuyer sur **MENU** de la télécommande ou du téléviseur pour accéder à l'OSD.
- 2 Appuyer une ou plusieurs fois sur **MENU** pour sélectionner un menu.
- 3 Appuyer sur **CH**△ ou **CH**▽ de la télécommande ou du téléviseur pour sélectionner une option.
- 4 Appuyer sur **VOL**◁ ou **VOL**▷ de la télécommande ou sur **VOL**△ ou **VOL**▽ du téléviseur pour modifier l'option.
- 5 Appuyer sur **MENU** de la télécommande ou du téléviseur une ou plusieurs fois pour fermer l'OSD.

**Menus et options OSD**

Menu	Option
<b>IMAGE</b>	<p><b>BRIGHTNESS</b> (Luminosité) – Augmente la luminosité pour ajouter plus de lumière aux zones sombres de l'image. Diminue la luminosité pour nuancer les zones claires de l'image.</p> <p><b>CONTRAST</b> (Contraste) – Augmente la définition de l'image pour en régler les zones blanches. Diminue la définition de l'image pour en régler les zones noires.</p> <p><b>COLOR</b> (Couleur) – Permet de régler la richesse de la couleur de l'image.</p> <p><b>SHARPNESS</b> (Netteté) – Augmente la définition pour afficher une image plus nette et plus claire. Diminue la définition pour afficher une image plus fluide.</p> <p><b>TINT</b> (Teinte) – Augmente le niveau de la couleur pour ajouter plus de vert aux tons chair. Diminue le niveau de la couleur pour ajouter plus de rouge aux tons chair.</p> <p><b>COLOR TEMP</b> (Température de couleur) – Pour sélectionner une couleur de température prééglée. Il est possible de sélectionner NEUTRE, CHAUD ou FROID.</p>
<b>SOUND (Son)</b>	<p><b>VOLUME</b> – Pour augmenter et diminuer le volume.</p> <p><b>TREBLE</b> (Aigus) – Pour régler les aigus.</p> <p><b>BASS</b> (Graves) – Pour régler les graves.</p> <p><b>BALANCE</b> – Pour régler la balance entre les haut-parleurs droit et gauche.</p> <p><b>SURROUND</b> (Ambiophonie) – Pour activer ou désactiver le son ambiophonique.</p> <p><b>STEREO</b> (Stéréo) – Pour sélectionner le type de son. Il est possible de sélectionner NORMAL, AMÉLIORÉ ou MONO.</p>

Menu	Option
<b>TUNING (Syntonisation)</b>	<p><b>CHANNEL</b> (Canal) – Pour sélectionner un canal TV. Appuyer sur les touches canal de la télécommande ou du téléviseur ou utiliser les touches numériques pour saisir le numéro de canal.</p> <p><b>DELETE CH</b> (Supprimer un canal) – Permet de savoir si le canal est mémorisé dans la liste des canaux. Si oui (YES) est sélectionné, le canal n'est pas affiché lorsque les touches de canaux sont appuyées. Si non (NO) est sélectionné, le canal est affiché lorsque les touches de canaux sont appuyées.</p> <p><b>LABEL</b> (Étiquette) – Pour ajouter à un numéro de canal une description à cinq caractères. Pour plus d'informations, voir « Changement de canal TV », page 47.</p> <p><b>SOURCE</b> – Pour sélectionner la source du signal TV. Sélectionner AIR pour une antenne VHF/UHF. Sélectionner CABLE (Câble) pour une connexion à la télévision câblée.</p> <p><b>AUDIO</b> – Pour sélectionner le canal audio. Il est possible de sélectionner MAIN (Principal), SUB1, SUB2 ou SUB3 (cette option n'est opérante qu'en mode numérique (DIGITAL)).</p> <p><b>AUTO SEARCH</b> (Recherche automatique) – Pour balayer les canaux dont le signal est disponible et créer une liste de canaux mémorisés. En cas d'utilisation d'une antenne VHF/UHF, vérifier que le paramètre AIR (Hertzien) de l'option SOURCE est sélectionné. En cas d'utilisation de la TV câblée, vérifier que le paramètre CABLE (Câble) de l'option SOURCE est sélectionné.</p> <p><b>Remarques</b> : Appuyer sur <b>MENU</b> pour arrêter le balayage des canaux. Si l'appareil est en mode numérique (DIGITAL) et que <b>MENU</b> est appuyé pour arrêter le balayage, les canaux trouvés pendant le balayage ne sont pas mémorisés.</p> <p>Après le balayage des canaux en mode numérique (DIGITAL) :</p> <ul style="list-style-type: none"> <li>• Si un canal brouillé est affiché, un mot de passe est requis pour accéder à ce canal.</li> <li>• Si le message NO VIDEO (Pas de vidéo) s'affiche, le canal est uniquement audio.</li> <li>• Si le message NO SIGNAL (Pas de signal) s'affiche, il n'y a pas de signal pour ce canal.</li> </ul>

Menu	Option
FONCTION	<p><b>LANGUAGE</b> (Langue) – Pour sélectionner la langue des menus OSD.</p> <p><b>SCREEN</b> (Écran) – Pour sélectionner le fond de l'écran quand le téléviseur est sous tension mais ne reçoit pas de signal. Il est possible de sélectionner OFF (Éteint), BLUE BACK (Fond bleu) ou SAVER (Économiseur).</p> <p><b>CHILD LOCK</b> (Contrôle parental) – Pour activer ou désactiver le verrouillage parental. Quand cette option est sélectionnée, un mot de passe de quatre chiffres doit être saisi. Le mot de passe par défaut est MUTE+999.</p> <p><b>CCD</b> – Pour sélectionner le mode sous-titres codés. Appuyer sur VOL + ou - pour accéder au sous-menu CCD (Sous-titres codés).</p> <ul style="list-style-type: none"> <li>• <b>CCD</b> – (signal TV analogiques uniquement) permet de sélectionner le mode sous-titres codés. Il est possible de sélectionner OFF, C1, C2, C3, C4, T1, T2, T3 ou T4.</li> <li>• <b>DIGITAL CCD</b> (Sous-titres codés numériques) – Sélectionner un des six modes (DC1, DC2, DC3, DC4, DC5, DC6) ou OFF (Désactivés).</li> <li>• <b>DIGITAL OPTION</b> (Option numérique) – Appuyer sur VOL + ou - pour accéder au sous-menu DIGITAL OPTION. Il est possible de sélectionner parmi :</li> <li>• <b>MODE</b> – Pour permettre de choisir si les sous-titres codés numériques (DIGITAL CCD) peuvent être réglés ou non. Les options possibles sont : MANUAL (Manuel) ou DEFAULT (Par défaut).</li> <li>• <b>COLOR</b> (Couleur)– appuyer sur VOL + ou - pour sélectionner la couleur des sous-titres codés numériques (DIGITAL CCD).</li> <li>• <b>BACKGROUND</b> (Premier plan) – Permet de sélectionner la couleur de premier plan. Il est possible de sélectionner, WHITE (Blanc), RED (Rouge), GREEN (Vert), BLUE (Bleu), YELLOW (Jaune), MAGENTA, CYAN ou BLACK (Noir).</li> <li>• <b>BACKGROUND</b> (Arrière-plan) – Permet de sélectionner la couleur de fond. Il est possible de sélectionner, WHITE (Blanc), RED (Rouge), GREEN (Vert), BLUE (Bleu), YELLOW (Jaune), MAGENTA, CYAN ou BLACK (Noir).</li> </ul>

Menu	Option
<b>FONCTION</b> (suite)	<ul style="list-style-type: none"> <li>• <b>OPACITY</b> (Transparence) – Appuyer sur VOL + ou - pour sélectionner la transparence des sous-titres codés numériques (DIGITAL CCD).</li> <li>• <b>FOREGROUND</b> (Premier plan) – Permet de sélectionner la transparence de premier plan. Il est possible de sélectionner SOLID (Opaque), FLASH (Clignotant), TRANSLUCENT (Translucide) ou TRANSPARENT.</li> <li>• <b>BACKGROUND</b> (Arrière-plan) – Permet de choisir la transparence de l'arrière plan. Il est possible de sélectionner SOLID (Opaque), FLASH (Clignotant), TRANSLUCENT (Translucide) ou TRANSPARENT.</li> <li>• <b>FONT</b> (Police de caractères) – Appuyer sur VOL + ou - pour sélectionner la police de caractères des sous-titres codés numériques (DIGITAL CCD).</li> <li>• <b>SIZE</b> (Taille) – permet de sélectionner la taille de la police de caractères des sous-titres codés numériques (DIGITAL CCD). Il est possible de sélectionner LARGE (Grande), SMALL (Petite) ou STANDARD.</li> <li>• <b>STYLE</b> – permet de sélectionner le style de la police de caractères des sous-titres codés numériques (DIGITAL CCD). Il est possible de sélectionner MONO SERIF (Espacement fixe avec empattement), PROP-SERIF (Espacement proportionnel avec empattement), MONO-SANS (Espacement fixe sans empattement), PROP-SANS (Espacement proportionnel sans empattement), CASUAL (Courant), CURSIVE, SMALL-CAPS (Petites majuscules) ou EXTENDED (Étendue).</li> </ul> <p><b>V-CHIP</b> (Puce antiviolence) – Pour configurer la puce antiviolence afin d'autoriser ou interdire des émissions TV. Pour plus d'informations, voir "Configuration du contrôle parental" on page 49.</p>

## Spécifications

Standard de réception	TV : NTSC, ATSC (8VSB, 64QAM, 256QAM) AV : NTSC 3,58 à 60 Hz
Fonctions	S-Vidéo Casque d'écoute Sous-titres codés Puce antiviolence Verrouillage parental Stéréo A/V
Sortie audio	1 W x 2 W
Alimentation	120 V CA
Piles de la télécommande	1,5 V (2)
Consommation d'énergie nominale	70 W
Dimensions L x P x H	16,54 x 15,08 x 13,92 po (42 x 38,3 x 35,35 cm)
Poids	26,46 lb (12 kg)

## Télécommande

Système de capteur	Infrarouge
Portée du signal	27,9 pi (8,5 m)
Piles	AAA 1,5 V (2)
Angle maximal	30° horizontal
Dimensions L x P x H	1,93 x 6,14 x 0,81 po (4,9 x 15,6 x 2,1 cm)
Poids	3 onces (85 g)



## Problèmes et solutions

Problème	Solution
L'image est neigeuse et le son n'est pas clair	Vérifier que l'antenne extérieure est correctement branchée. Repositionner l'antenne extérieure.
Image dédoublée ou triple, mais le son est clair	L'image multiple est appelée image « fantôme ». Connecter le téléviseur à une antenne extérieure. N'utiliser que des câbles et des connecteurs de bonne qualité. Repositionner l'antenne extérieure.
L'image forme des lignes (vagues) et le son est déformé	Une interférence électrique peut être provoquée par des voitures ou des motos. Une interférence électrique peut être provoquée par des lampes au néon et des appareils électroménagers. Essayer de brancher le téléviseur dans une prise secteur différente, de préférence une prise sur un circuit électrique différent.
Pas de son.	Vérifier que la commande de volume n'a pas été réglée à un bas niveau ou que la sourdine n'a pas été activée.
Ni image ni son	Vérifier que le cordon d'alimentation est branché sur une prise alimentée. Vérifier que le niveau de luminosité et de contraste n'est pas réglé trop bas.
L'image n'a pas de couleurs	Régler la couleur.
L'image est brouillée	Changer de canal.

<b>Problème</b>	<b>Solution</b>
L'image a des points	<p>La couleur peut être affectée quand le téléviseur est déplacé, un appareil électroménager tel qu'un aspirateur est mis en marche près du téléviseur ou si des aimants sont disposés trop proches de l'appareil.</p> <p>Mettre le téléviseur hors tension en utilisant la touche de l'appareil (pas celle de la télécommande). Laisser le téléviseur hors tension pendant environ 15 minutes.</p> <p>Si des points continuent d'apparaître sur l'image, mettre le téléviseur hors tension et ne pas l'utiliser jusqu'au lendemain.</p>

## Entretien

Débrancher l'appareil de la prise murale avant tout nettoyage.

Ne pas utiliser de nettoyants liquides ou en aérosol.

Essuyer l'extérieur avec un chiffon doux humidifié avec de l'eau. Ne pas asperger directement l'extérieur ou l'écran avec de l'eau.

## Avis juridiques

### Droits d'auteurs

© 2007 Insignia. Insignia et le logo Insignia sont des marques de commerce de Best Buy Enterprise Services, Inc. Les autres noms de marques et de produits mentionnés sont des marques de commerce ou des marques déposées de leurs propriétaires respectifs. Les spécifications et caractéristiques sont susceptibles d'être modifiées sans préavis.

## Déclaration de la FCC

### *Avis FCC*

#### ***Dispositif numérique de Classe B***

Cet équipement a été testé et est conforme aux limites d'un appareil numérique de classe B, en vertu du paragraphe 15 du règlement de la FCC.

Ces normes ont été établies afin de fournir une protection raisonnable contre toute interférence indésirable en cas d'exploitation du matériel dans un environnement résidentiel. Ce matériel génère, utilise et peut rayonner de l'énergie radiofréquence. S'il n'est pas installé et utilisé conformément aux instructions de ce manuel, il peut provoquer des interférences indésirables aux communications radio.

**Attention**

Conformément aux réglementations FCC 47CFR, Part 15.21, toute modification ou changement sur cet appareil qui ne serait pas expressément approuvée par le fabricant peut provoquer des interférences dangereuses et pourrait annuler l'autorisation octroyée à l'utilisateur de faire fonctionner ce dispositif.

**Attention**

Ceci est un produit de classe B. Chez les particuliers, ce produit peut provoquer des interférences radio auquel cas l'utilisateur devra prendre les mesures qui conviennent pour faire cesser ces interférences.



## Garantie limitée d'un an

Insignia Products ("Insignia") garantit au premier acheteur de ce **NS-F14TV** neuf ("Produit"), qu'il est exempt de vices de fabrication et de main-d'œuvre à l'origine, pour une période d'un (1) an à partir de la date d'achat du Produit ("Période de garantie"). Ce Produit doit avoir été acheté chez un revendeur agréé des produits de la marque Insignia et emballé avec cette déclaration de garantie. Cette garantie ne couvre pas les Produits remis à neuf. Les conditions de la présente garantie s'appliquent à tout Produit pour lequel Insignia est notifié, pendant la Période de garantie, d'un vice couvert par cette garantie qui nécessite une réparation.

### ***Quelle est la durée de la couverture?***

La Période de garantie dure 1 an (365 jours) à compter de la date d'achat de ce Produit. La date d'achat est imprimée sur le reçu fourni avec le Produit.

### ***Que couvre cette garantie?***

Pendant la Période de garantie, si un vice de matériau ou de main-d'œuvre d'origine est détecté sur le Produit par un service de réparation agréé par Insignia ou le personnel du magasin, Insignia (à sa seule discrétion) : (1) réparera le Produit en utilisant des pièces détachées neuves ou remises à neuf; ou (2) remplacera le Produit par un produit ou des pièces neuves ou remises à neuf de qualité comparable. Les produits et pièces remplacés au titre de cette garantie deviennent la propriété d'Insignia et ne sont pas retournés à l'acheteur. Si les Produits ou pièces nécessitent une réparation après l'expiration de la Période de garantie, l'acheteur devra payer tous les frais de main d'œuvre et les pièces. Cette garantie reste en vigueur tant que l'acheteur reste propriétaire du Produit Insignia pendant la Période de garantie. La garantie prend fin si le Produit est revendu ou transféré d'une quelconque façon que ce soit à tout autre propriétaire.

### ***Comment obtenir une réparation sous garantie?***

Si le Produit a été acheté chez un détaillant, le rapporter accompagné du reçu original chez ce détaillant. S'assurer de remettre le Produit dans son emballage d'origine ou dans un emballage qui procure la même qualité de protection que celui d'origine. Si le Produit a été acheté en ligne, l'expédier accompagné du reçu original à l'adresse indiquée sur le site Web. S'assurer de remettre le Produit dans son emballage d'origine ou dans un emballage qui procure la même qualité de protection que celui d'origine. Pour obtenir le service de la garantie à domicile pour un téléviseur avec écran de 25 po ou plus, appeler le 1-888-BESTBUY. L'assistance technique établira un diagnostic et corrigera le problème au téléphone ou enverra un technicien agréé par Insignia pour la réparation à domicile.

### ***Où cette garantie s'applique-t-elle?***

Cette garantie ne s'applique qu'à l'acheteur original du Produit aux États-Unis et au Canada.

### ***Ce qui n'est pas couvert par cette garantie limitée***

La présente garantie ne couvre pas :

- la formation du client;
- l'installation;
- les réglages de configuration;
- les dommages esthétiques;
- les dommages résultants de catastrophes naturelles telles que la foudre;
- les accidents;
- une utilisation inadaptée;

- une manipulation abusive;
- la négligence;
- une utilisation commerciale;
- la modification de tout ou partie du Produit, y compris l'antenne;
- un écran plasma endommagé par les images fixes (sans mouvement) qui restent affichées pendant de longues périodes (rémanentes).

La présente garantie ne couvre pas non plus :

- les dommages ayant pour origine une utilisation ou une maintenance défectueuse;
- la connexion à une source électrique dont la tension est inadéquate;
- toute réparation effectuée par quiconque autre qu'un service de réparation agréé par Insignia pour la réparation du Produit;
- les Produits vendus en l'état ou hors service;
- les consommables tels que les fusibles ou les piles;
- les produits dont le numéro de série usine a été altéré ou enlevé du Produit.

LA RÉPARATION OU LE REMPLACEMENT, TELS QU'OFFERTS PAR LA PRÉSENTE GARANTIE, CONSTITUENT LE SEUL RECOURS DE L'ACHETEUR. INSIGNIA NE SAURAIT ÊTRE TENU POUR RESPONSABLE DE DOMMAGES ACCESSOIRES OU CONSÉCUTIFS, RÉSULTANT DE L'INEXÉCUTION D'UNE GARANTIE EXPRESSE OU IMPLICITE SUR CE PRODUIT, Y COMPRIS, SANS S'Y LIMITER, LA PERTE DE DONNÉES, L'IMPOSSIBILITÉ D'UTILISER LE PRODUIT, L'INTERRUPTION D'ACTIVITÉ OU LA PERTE DE PROFITS. INSIGNIA PRODUCTS N'OCTROIE AUCUNE AUTRE GARANTIE EXPRESSE RELATIVE À CE PRODUIT; TOUTES LES GARANTIES EXPRESSES OU IMPLICITES POUR CE PRODUIT, Y COMPRIS MAIS SANS LIMITATION, TOUTE GARANTIE DE QUALITÉ MARCHANDE, D'ADÉQUATION À UN BUT PARTICULIER, SONT LIMITÉES À LA PÉRIODE DE GARANTIE APPLICABLE TELLE QUE DÉCRITE CI-DESSUS ET AUCUNE GARANTIE EXPRESSE OU IMPLICITE, NE S'APPLIQUERA APRÈS LA PÉRIODE DE GARANTIE. CERTAINS ÉTATS ET PROVINCES NE RECONNAISSENT PAS LES LIMITATIONS DE LA DURÉE DE VALIDITÉ DES GARANTIES IMPLICITES. PAR CONSÉQUENT, LES LIMITATIONS SUSMENTIONNÉES PEUVENT NE PAS S'APPLIQUER À L'ACHETEUR ORIGINAL. LA PRÉSENTE GARANTIE DONNE À L'ACHETEUR DES GARANTIES JURIDIQUES SPÉCIFIQUES; IL PEUT AUSSI BÉNÉFICIER D'AUTRES GARANTIES QUI VARIENT D'UN ÉTAT OU D'UNE PROVINCE À L'AUTRE.

Pour contacter Insignia :

Pour le service à la clientèle, appeler le 1-877-467-4289

[www.insignia-products.com](http://www.insignia-products.com)

INSIGNIA<sup>MC</sup> est une marque commerciale de Best Buy Enterprise Services, Inc.

Distribué par Best Buy Purchasing, LLC

Insignia, 7601 Penn Avenue South, Richfield, Minnesota, U.S.A.

# Insignia NS-F14TV TV de panel plano de 14"

## Contenido

Bienvenido . . . . .	63
Información de seguridad . . . . .	64
Características . . . . .	68
Preparación de su televisor. . . . .	75
Uso de su televisor . . . . .	78
Especificaciones . . . . .	87
Localización y corrección de fallas . . . . .	88
Mantenimiento . . . . .	89
Avisos legales . . . . .	89
Garantía Limitada de 1 Año . . . . .	91

## Bienvenido

Felicitaciones por su compra de un producto de alta calidad de Insignia. Su televisor a color NS-14FTV representa el más moderno diseño de televisores a color, y está concebido para brindar un rendimiento confiable y sin problemas.

## Información de seguridad

**Advertencia**

Riesgo de choque eléctrico. No abra la unidad. No trate de reparar este televisor usted mismo, ya que abrir o quitar las cubiertas puede exponerlo a voltajes peligrosos u otros peligros. Encomiende todas las reparaciones al personal de servicio calificado.

**Advertencia**

Para reducir el riesgo de incendio o choque eléctrico, no exponga su televisor a la lluvia o la humedad. No exponga su televisor a líquidos que gotean o salpican. No coloque objetos llenos de líquidos, tal como vasijas, sobre su televisor.

**Advertencia**

Para evitar un incendio, no coloque una fuente de llama expuesta, tal como una vela encendida, sobre su televisor.

**Advertencia**

Deje por lo menos 4 pulgadas (10 cm) de espacio alrededor de su televisor para tener suficiente ventilación. No se debe bloquear las aberturas de ventilación con periódicos, manteles de mesa, cortinas, u otros objetos similares.

**Advertencia**

En caso de humo, ruidos u olores extraños que salgan de su televisor, apáguelo, desconéctelo del tomacorriente de pared y póngase en contacto con su distribuidor o centro de servicio.

### ***Lea las instrucciones***

Lea todas las instrucciones de seguridad y operación antes de operar su televisor.

### ***Guarde las instrucciones***

Guarde las instrucciones de seguridad y operación para referencia futura.

### ***Preste atención a las advertencias***

Preste atención a todas las advertencias sobre su televisor y las instrucciones de operación.

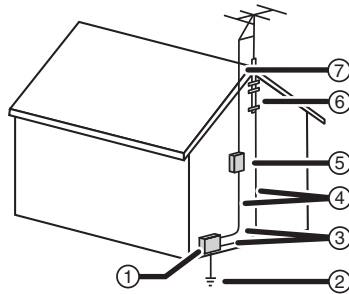
### ***Siga las instrucciones***

Siga todas las instrucciones de operación y uso.



**Conexión a tierra de la antena exterior**

Sí una antena externa o un sistema de cable esta conectado al televisor, asegúrese de que la antena o el sistema de cable esta conectado a tierra, para proveer una protección contra sobre voltajes y la acumulación de cargas estáticas. La sección 810 del código nacional eléctrico (NEC), ANSI/NFPA 70, proporciona información con respecto a la conexión a tierra del poste y la estructura de soporte, la conexión a tierra del alambre principal de una unidad de descarga de antena, el tamaño de los conductores de la conexión a tierra y la conexión del electrodo de conexión a tierra.



1	Equipo de servicio eléctrico
2	Sistemas de electrodos de tierra para el servicio de alimentación eléctrica
3	Abrazaderas de tierra
4	Conductores de conexión a tierra
5	Unidad de descarga de antena
6	Abrazadera de tierra
7	Cable conductor de entrada de antena

**Limpieza**

Desconecte su televisor del tomacorriente de pared antes de limpiarlo. No use productos de limpieza líquidos o en aerosol. Use un paño húmedo para limpiar el exterior del gabinete únicamente.

**Rayos**

Para proteger su televisor durante una tormenta de rayos, o cuando se deje sin usar por un periodo de tiempo extendido, desconéctelo del tomacorriente de pared y desconecte la antena o el sistema de cable. Esto evitará daños a su televisor debido a relámpagos o sobretensión de energía.

**Protección del cable de alimentación**

Los cables de alimentación deben colocarse de manera que no se pisen o sean aplastados por artículos colocados sobre ellos o contra ellos. Preste especial atención a los cables de enchufes, receptáculos y al punto en que salen del televisor.

**Agua y humedad**

No use su televisor cerca del agua (por ejemplo, cerca de una bañera, lavabo, fregadero de cocina, tina de lavandería, en un sótano mojado o cerca de una piscina).

**Ventilación**

Ranuras y aberturas en la parte posterior o inferior del gabinete se proveen para ventilación, para asegurar la operación confiable del televisor, y para protegerlo contra el sobrecalentamiento. Estas aberturas no se deben bloquear ni cubrir. No coloque el televisor en una cama, un sofá, una alfombra u otra superficie similar. No coloque su televisor ni cerca ni sobre un radiador o fuente de calor. No coloque su televisor en una instalación empotrada, tal como un librero o estantería a menos que se proporcione ventilación apropiada o se hayan seguido las instrucciones del fabricante.

**Fuente de alimentación**

Opere su televisor únicamente con el tipo de fuente de alimentación indicada en la placa de clasificación. Si no está seguro del tipo de fuente de energía en su casa, consulte con el vendedor de su televisor o la compañía local de energía.

### ***Moviendo su televisor***

Si mueve su televisor de un lugar frío a uno caliente, espere hasta que la condensación dentro del televisor se ha evaporado completamente antes de encenderlo.

### ***Luz solar***

Posicione su televisor de tal forma que la pantalla no está expuesta directamente a la luz solar.

### ***Ambiente de observación***

Utilice iluminación suave e indirecta mientras mira su televisor. Un ambiente completamente oscuro y la reflexión de la pantalla pueden causar cansancio de ojos.

### ***Interferencia magnética***

Mantenga su televisor alejado de campos magnéticos fuertes, tal como altavoces alimentados, para evitar afectar el tinte.

### ***Mantenimiento***

Utilice un transformador de alimentación aislada durante el mantenimiento porque el gabinete de su televisor puede estar electrificado.

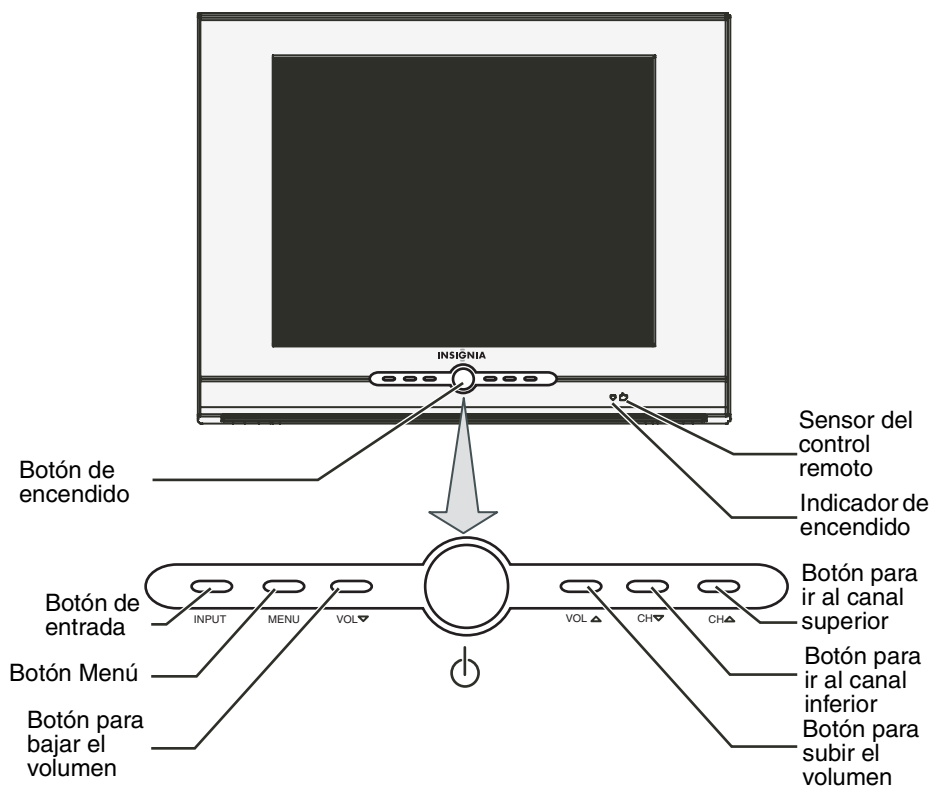
### ***Nota para el instalador del sistema de TV por cable***

Este recordatorio se proporciona para que el instalador del sistema de cable preste atención al Artículo 820-40 del NEC el cual proporciona pautas para una correcta conexión a tierra y, en particular, especifica que la conexión a tierra del cable debe estar conectada al sistema de tierra de la edificación, tan cerca al punto de entrada del cable como sea práctico.

## Características

### Vista frontal

La ubicación de las funciones puede variar dependiendo del modelo de su televisor.

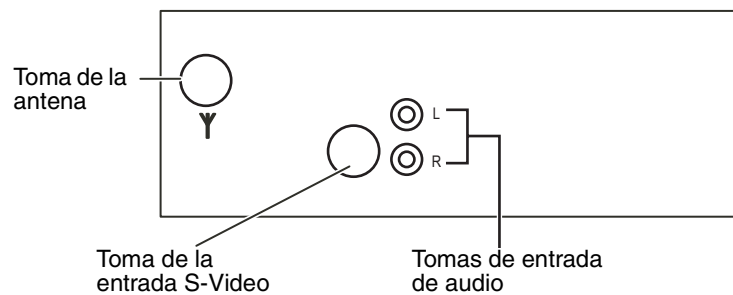


<b>Función</b>	<b>Descripción</b>
Botón de encendido	Permite encender o apagar su televisor.
Indicador de encendido	Se enciende color rojo cuando su televisor se encuentra en el modo de suspensión.
Sensor del control remoto	Recibe las señales del control remoto. No se debe bloquear.
Botón ENTRADA	Permite seleccionar la entrada de video.

<b>Función</b>	<b>Descripción</b>
Botón MENÚ	Presione para mostrar la visualización en pantalla (OSD) del televisor.
Botón VOL ▽	Permite bajar el volumen.
Botón VOL △	Permite subir el volumen.
Botón CANAL ▽	Permite cambiar a un número de canal más bajo.
Botón CANAL △	Permite cambiar a un número de canal más alto.

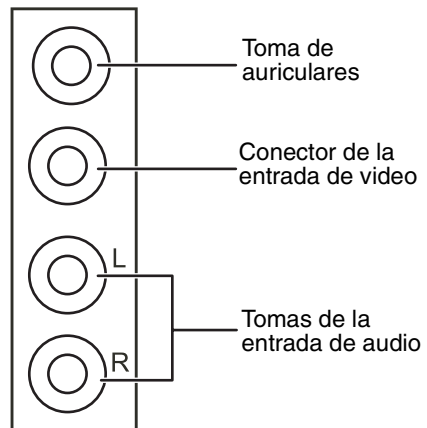
## Vista posterior

El tipo y la ubicación de los tomas puede variar dependiendo del modelo de su televisor. Para obtener más información, refiérase a "Especificaciones" on page 87.

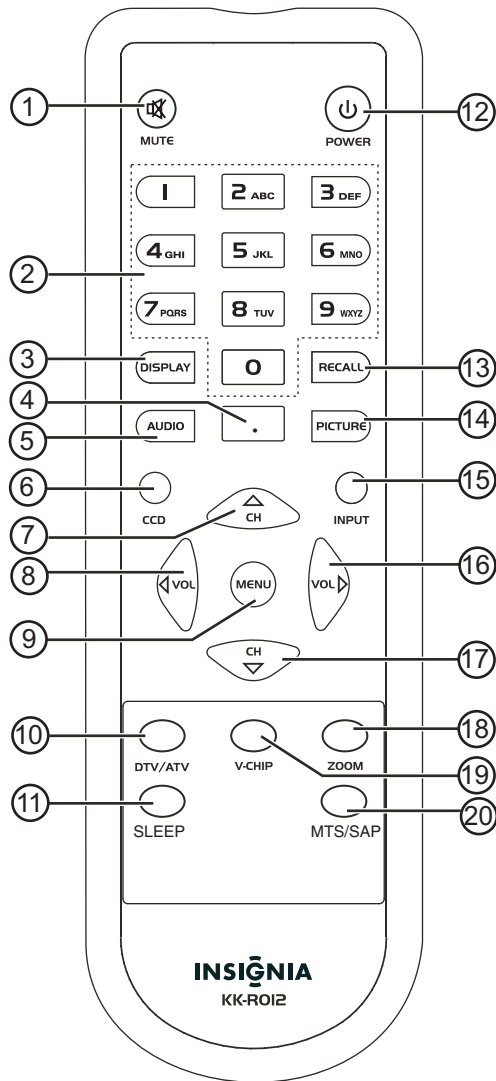


## Vista lateral

La ubicación de los tomas puede variar dependiendo del modelo de su televisor.



## Control remoto



No.	Botón	Descripción
1	SILENCIAR	Permite silenciar el sonido.
2	Números/Letras	Permiten ingresar los números de canal. Si está agregando una etiqueta a un canal, presione para ingresar letras.
3	VISUALIZACIÓN	Presione para mostrar la información del canal.
4	•	Permite ingresar los números de canal de TV digital. Para obtener más información, refiérase a "Cambio de los canales de TV" en la página 78.
5	AUDIO	Presione una o más veces para seleccionar uno de los modos de audio predefinidos.
6	CCD	Presione para activar o desactivar los subtítulos optativos.
7	CH △	Cuando esta viendo la TV, permite sintonizar un canal de TV con un número más alto. Cuando se usa el OSD, permite seleccionar una opción de menú.
8	VOL ◁	Cuando esta viendo la TV, permite reducir el volumen. Cuando se usa el OSD, permite desplazarse hacia abajo por las opciones de menú.
9	MENÚ	Permite mostrar la visualización de pantalla (OSD).
10	DTV/ATV	Permite seleccionar el tipo de señal de TV. Puede seleccionar DTV (TV digital) o ATV (TV analógico).
11	APAGADO AUTOMÁTICO	Permite acceder a los ajustes del apagado automático.
12	ENCENDIDO	Permite encender o apagar su televisor. Si su televisor se encuentra en el modo de suspensión (ahorro de energía), permite salir del modo de suspensión.
13	REGRESAR	Si está viendo la TV, permite regresar al último canal que estaba viendo.



No.	Botón	Descripción
14	IMAGEN	Presione una o más veces para seleccionar uno de los modos de imagen predefinidos.
15	ENTRADA	Permite seleccionar la señal de la entrada de video.
16	VOL ▷	Cuando está viendo la TV, permite aumentar el volumen. Cuando se usa el OSD, permite desplazarse hacia arriba por las opciones de menú.
17	CH ▽	Cuando está viendo la TV, permite sintonizar un canal de TV con un número más bajo. Cuando se usa el OSD, permite seleccionar una opción de menú.
18	ZOOM (Aumento)	Permite seleccionar el modo de visualización de pantalla. Puede seleccionar entre STANDARD (Estándar), FULL (Completo) o ZOOM (Aumento). (Este botón sólo está disponible para señales de TV digital 16:9.)
19	V-CHIP	Permite abrir o cerrar los controles de los padres.
20	MTS/SAP	Presione una o más veces para seleccionar el canal de audio. (Sólo está disponible en el modo DTV.)

### **Programación de un control remoto universal**

Su televisor es compatible con los controles remotos universales populares.

Marca del control remoto	Código de programación
Philips	115
DirecTV	10463
RCA	135
One-For-All	0463
Sony	8042

Para compatibilidad con otros controles remotos universales, utilice los códigos listados para estas marcas: Emerson, Memorex, Orion, Sansui, Sylvania o Zenith.

### **Programación de un control remoto universal**

Su televisor es compatible con los controles remotos universales populares.

<b>Marca del control remoto</b>	<b>Código de programación</b>
Philips	115
DirecTV	10463
RCA	135
One-For-All	0463
Sony	8042

Para compatibilidad con otros controles remotos universales, utilice los códigos listados para estas marcas: Emerson, Memorex, Orion, Sansui, Sylvania o Zenith.

### **Instalación de las pilas del control remoto**

**Advertencia**

No tire las pilas al fuego. Deseche las pilas usadas como si fueran residuos peligrosos.

**Cuidado**

No deje caer ni desarme el control remoto. No moje el control remoto.

**Para instalar pilas en el control remoto:**

- 1 Quite la cubierta de las pilas.
- 2 Inserte dos pilas AAA en el compartimiento de la pila. Asegúrese de que los símbolos +/- en la pila coincidan con las marcas +/- en el compartimiento de la pila.
- 3 Vuelva a colocar la cubierta de la pila.

**Nota**

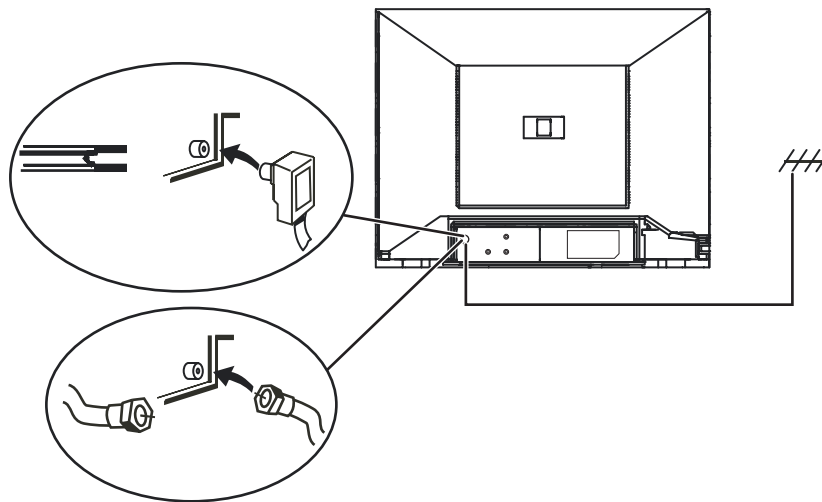
Si el control remoto no se va a usar por un período de tiempo extendido, o si las pilas están agotadas, extraiga las pilas para prevenir derrames.

## Preparación de su televisor

### Conectando TV por cable o una antena VHF/UHF externa

**Cuidado**

No se debe atar el cable de la antena al de alimentación.



**Para conectar TV por cable o una antena VHF/UHF externa:**

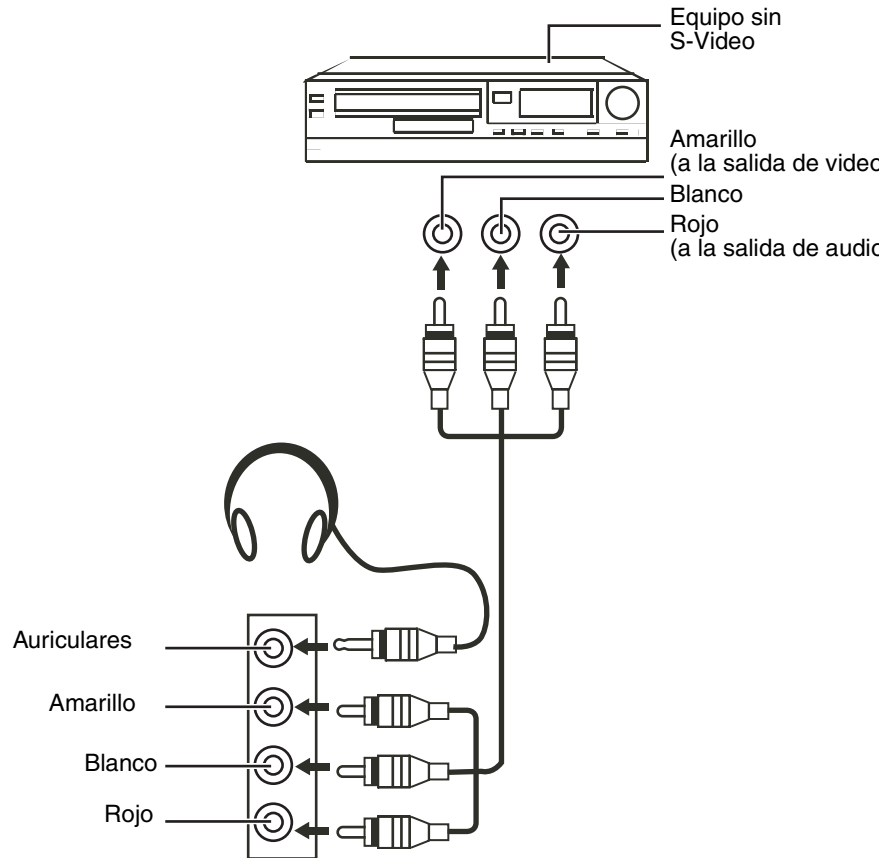
- 1 Conecte un cable de 75 Ohmios al toma de antena en la parte posterior del televisor.
- 2 Conecte el otro extremo del cable de 75 Ohmios al TV por cable o a una antena externa de VHF/UHF.

**Nota**

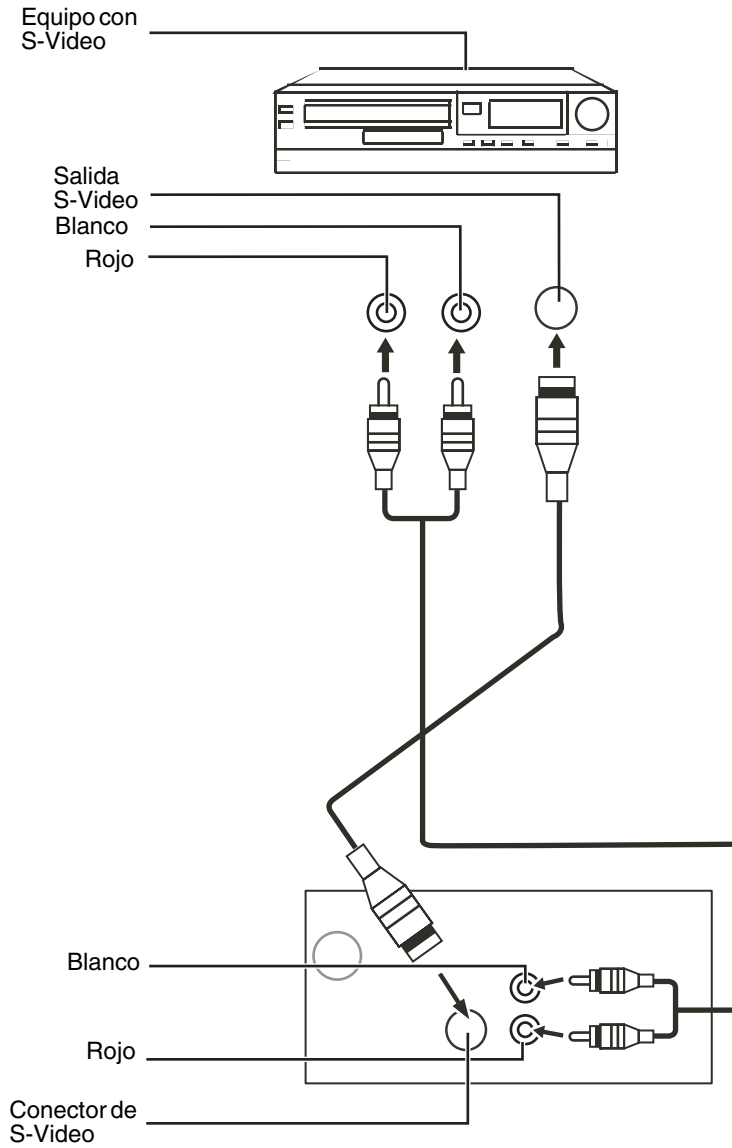
Si usa un alimentador plano de 300 Ohmios, necesitará un convertor de 300/75 Ohmios, luego conecte el convertor al toma de antena del televisor. Recomendamos usar un cable de 75 Ohmios para reducir la interferencia causada por ondas de radio.

### Conexión a un dispositivo de video estándar

Si su modelo tiene tomas de audio laterales, use la siguiente ilustración para conectar un dispositivo de video estándar a los tomas laterales.



## Conexión a un equipo con S-Video



## Uso de su televisor

### Encendido y apagado de su televisor

**Para encender y apagar su televisor:**

- 1 Enchufe el cable de alimentación en un tomacorriente eléctrico.
- 2 Presione **Power** (Encendido) en el control remoto.

**Nota**

El indicador de encendido se apagará cuando el televisor se encuentre activo. El indicador de encendido se ilumina color rojo cuando el televisor se encuentra en modo de suspensión. Cuando su televisor tiene una señal azul o se muestra un salvapantallas, su televisor ingresará al modo de suspensión después de cinco minutos.

### Selección del tipo de la señal de TV

**Para seleccionar el tipo de la señal de TV:**

- Presione **DTV/ATV**. Puede seleccionar TV digital (**DTV**) o TV analógica (**ATV**).

### Cambio de los canales de TV

**Para cambiar los canales de TV:**

- Presione **CH**△ o **CH**▽ en su control remoto o en su televisor.

**Para ingresar los números de canales y hacer ajustes de fecha directamente:**

- TV analógica – Para ingresar un canal de dos dígitos, presione los botones de los dos números dentro de dos segundos de presionar cada uno. Por ejemplo, para seleccionar el canal 12, presione 1 y después 2. El canal cambia después de dos segundos. Si ingresa un 0 antes de que ingrese 1 y 2, el canal cambiará inmediatamente.
- TV digital – Para ingresar un número de canal, ingrese el número de canal, presione el botón • y, dentro de cuatro segundos, ingrese el número de subcanal. Por ejemplo, para seleccionar el canal 38-12, presione 3, 8, •, 1, después 2. Si presiona el botón • después de presionar 2, el canal cambiará inmediatamente.

## Agregando una etiqueta de canal

Puede agregar una etiqueta a un canal para que sea más fácil de encontrarlo. Use las siguientes instrucciones para agregar una etiqueta de canal.

### Para agregar una etiqueta de canal:

- 1 Abra el OSD, luego seleccione el menú *TUNING* (Sintonización). Para obtener más información, refiérase a “Uso de la visualización de pantalla (OSD)” on page 82.
- 2 Ingrese el canal al cual desea agregar una etiqueta en el campo **CHANNEL** (Canal).
- 3 Seleccione **LABEL OPTION** (Opción de etiqueta).
- 4 Presione **VOL** ▷ o **VOL** ◁ en su control remoto o presione **VOL** △ o **VOL** ▽ en su televisor para seleccionar el carácter que desea ingresar o editar, luego presione el botón apropiado una o más veces para ingresar la letra que guste. Las pulsaciones de los botones deben suceder dentro de un segundo de cada una. Cuando deje de presionar el botón de la letra, la letra seleccionada se ingresará y se moverá el cursor al siguiente carácter. Después de ingresar todos los cinco caracteres de la etiqueta, se guardará su etiqueta.

## Ajuste del volumen

### Para ajustar el volumen:

- Presione **VOL** ▷ o **VOL** ◁ en su control remoto o presione **VOL** △ o **VOL** ▽ en su televisor.

## Ajuste del temporizador de apagado automático

### Para ajustar el temporizador de apagado automático:

- 1 Presione **SLEEP** (Apagado automático) en su control remoto una o más veces para seleccionar la cantidad de tiempo que desea que se espere antes de que el televisor se apague automáticamente.
- 2 Para cancelar el temporizador de apagado automático, presione **SLEEP** (Apagado automático) una o más veces hasta que aparezca la frase *SLEEP OFF* (Apagado automático desactivado).

## Selección del modo de imagen

### Para seleccionar el modo de imagen:

- Presione **PICTURE** (Imagen) en su control remoto una o más veces para seleccionar el modo de imagen. Puede seleccionar **STANDARD** (Estándar), **DYNAMIC** (Dinámica), **MILD** (Suave) o **MEMORY** (Memoria). Puede configurar sus preferencias del modo de imagen y guardarlas bajo el modo de imagen **MEMORY** (Memoria).

## Selección del modo de sonido

### Para seleccionar el modo de sonido:

- Presione **AUDIO** en su control remoto una o más veces para seleccionar el modo de sonido. Puede seleccionar **STANDARD** (Estándar), **NEWS** (Noticias), **MUSIC** (Música) o **MEMORY** (Memoria). Puede configurar sus preferencias del modo de sonido y guardarlas bajo el modo de sonido **MEMORY** (Memoria).

## Ajuste de los controles de los padres

### Para configurar los controles de los padres para señales de TV analógicas:

- 1 Abra el OSD, seleccione el menú **FUNCTION** (Función), luego seleccione la opción **V-CHIP**. Para obtener más información, refiérase a "Funciones" on page 87.
- 2 Presione **VOL**  $\triangle$  en su televisor o **VOL**  $\triangleright$  en su control remoto.
- 3 Ingrese su contraseña de cuatro dígitos. La contraseña predeterminada es 0358.
- 4 Presione **CH**  $\triangle$  o **CH**  $\nabla$  para seleccionar V-CHIP, presione **VOL**  $\triangleright$  o **VOL**  $\triangleleft$  para seleccionar **ON** (Activado) o **OFF** (Desactivado).



- 5 Presione **CH**△ o **CH**▽ para seleccionar MPAA, luego presione **VOL**▷ o **VOL**◁ para seleccionar la clasificación MPAA (película) que desea bloquear. La clasificación que seleccionó y todas las otras clasificaciones arriba de ésta serán bloqueadas.

Se puede seleccionar:

- **N/R** – Sin clasificación.
- **G** – General. Apropiado para todos los niños.
- **PG** – Guía de los padres recomendada.
- **PG13** – Guía de los padres. El contenido no es apropiado para niños menores de 13 años.
- **R** – Restringida. El contenido no es apropiado para niños menores de 17 años sin supervisión paternal.
- **NC-17** – El contenido no es apropiado para niños menores de 17 años.
- **X** – Solo para adultos.

- 6 Presione **CH**△ o **CH**▽ para seleccionar **TVPG SETTING** (Ajuste TVPG) y presione **VOL**▷ o **VOL**◁ en su control remoto para abrir el submenú TVPG SETTING.

- 7 Presione **CH**△ o **CH**▽ para seleccionar la clasificación que desea bloquear. La clasificación que seleccionó y todas las otras clasificaciones arriba de ésta serán bloqueadas. La opción **RATING** (Clasificación) debe estar configurada como **ON** (Activado) para seleccionar una clasificación.

Se puede seleccionar:

- **TVY** – Todos los niños
- **TVY7** – Niños de siete años y mayores
- **TV-G** – Audiencia general
- **TV-PG** – Guía de los padres recomendada
- **TV-14** – Guía de los padres seriamente recomendada
- **TV-MA** – Audiencia madura

- 8 Presione **CH**△ o **CH**▽ para seleccionar elementos **CONTENT** (Contenido) y presione **VOL**▷ o **VOL**◁ en su control remoto para bloquear programas de TV con ciertos tipos de contenido. La opción **CONTENT** (Contenido) debe estar configurada como **ON** (Activado) para seleccionar un elemento de contenido.

Se puede seleccionar:

- **D** – Diálogos sexualmente explícitos
- **FV** – Violencia de fantasía
- **L** – Lenguaje adulto
- **S** – Situaciones sexuales
- **V** – Violencia

**Para configurar los controles de los padres para señales de TV digital:**

- 1 Abra el OSD, seleccione el menú *FUNCTION* (Función), luego seleccione la opción **V-CHIP**. Para obtener más información, refiérase a “Funciones” on page 87.
- 2 Presione **VOL**  $\triangle$  en su televisor o **VOL**  $\triangleright$  en su control remoto.
- 3 Ingrese su contraseña de cuatro dígitos. La contraseña predefinida es **0358**.
- 4 Presione **CH**  $\triangle$  o **CH**  $\nabla$  para seleccionar DIGITAL VGUIDE, presione **VOL**  $\triangleright$  o **VOL**  $\triangleleft$  en su control remoto para abrir el submenú.
- 5 Presione **CH**  $\triangle$ , **CH**  $\nabla$ , **VOL**  $\triangleright$ , o **VOL**  $\triangleleft$  para seleccionar un elemento y presione **MENU** para bloquear o desbloquear un elemento.
- 6 Presione **V-CHIP** para guardar sus cambios y cerrar el OSD.

**Consejo**

Para regresar al menú anterior, seleccione  $\curvearrowright$ .

**Uso de la visualización de pantalla (OSD)**

Su televisor tiene una visualización de pantalla (OSD) que usted utiliza para ajustar su televisor.

**Para usar el OSD:**

- 1 Presione **MENU** en su control remoto o en su televisor para abrir el OSD.
- 2 Presione **MENU** una o más veces para seleccionar un menú.
- 3 Presione **CH**  $\triangle$  o **CH**  $\nabla$  en su control remoto o en su televisor para seleccionar una opción.
- 4 Presione **VOL**  $\triangleleft$  o **VOL**  $\triangleright$  en su control remoto o presione **VOL**  $\triangle$  o **VOL**  $\nabla$  en su televisor para cambiar la opción.
- 5 Presione **MENU** en su control remoto o en su televisor una o más veces para cerrar el OSD.

**Los menús y las opciones del OSD**

Menú	Opción
<b>PICTURE (Imagen)</b>	<p><b>BRIGHTNESS</b> (Brillo) – Aumenta el brillo para agregar más luz a las áreas oscuras de la imagen. Reduce el brillo para agregar más oscuridad a las áreas iluminadas de la imagen.</p> <p><b>CONTRAST</b> (Contraste) – Aumenta el nivel de la imagen para ajustar las áreas blancas. Reduce el nivel de la imagen para ajustar las áreas negras.</p> <p><b>COLOR</b> – Ajusta el color global de la imagen.</p> <p><b>SHARPNESS</b> (Nitidez) – Aumenta el nivel de nitidez para mostrar imágenes más limpias y claras. Reduce el nivel para mostrar una imagen más suavizada.</p> <p><b>TINT</b> (Tinte) – Aumenta el nivel de color para agregar más verde a los tonos de piel. Reduce el nivel de color para agregar más rojo a los tonos de piel.</p> <p><b>COLOR TEMP</b> (Temperatura de color) – Seleccione una temperatura de color. Puede seleccionar NORMAL, WARM (Caliente), o COLD (Frío).</p>
<b>SOUND (Sonido)</b>	<p><b>VOLUME</b> (Volumen) – Sube y baja el volumen.</p> <p><b>TREBLE</b> (Agudos) – Ajusta los agudos.</p> <p><b>BASS</b> (Graves) – Ajusta los graves.</p> <p><b>BALANCE</b> – Ajusta el balance entre los tomas de altavoces derecho e izquierdo.</p> <p><b>SURROUND</b> (Envolvente) – Activa o desactiva el sonido envolvente.</p> <p><b>STEREO</b> (Estéreo) – Seleccione el tipo de sonido. Puede seleccionar NORMAL, ENHANCED (Mejorado) o MONO (Monofónico).</p>

Menú	Opción
<p><b>TUNING</b> (Sintonización)</p>	<p><b>CHANNEL</b> (Canal) – Selecciona el canal de TV. Presione los botones de canal en el control remoto o en el televisor o use los botones de números para ingresar número del canal.</p> <p><b>DELETE CH</b> (Eliminar canal) – Decide si el canal actual se guarda en la lista de canales. Si selecciona <b>YÉS</b> (Sí), se saltará el canal cuando presione los botones de canal. Si selecciona <b>NO</b>, no se saltará el canal cuando presione los botones de canal.</p> <p><b>LABEL</b> (Etiqueta) – Le permite agregar una descripción de cinco caracteres a un número de canal. Para obtener más información, refiérase a “Selección del modo de sonido” en la página 80.</p> <p><b>SOURCE</b> (Fuente) – Selecciona la fuente de la señal de TV. Seleccione <b>AIR</b> (Aire) para una antena VHF/UHF. Seleccione <b>CABLE</b> para una conexión de TV por cable.</p> <p><b>AUDIO</b> – Selecciona el canal de audio. Puede seleccionar <b>MAIN</b> (Principal), <b>SUB1</b>, <b>SUB2</b> o <b>SUB3</b>. (Esta opción sólo funciona en el modo <b>DIGITAL</b>.)</p> <p><b>AUTO SEARCH</b> (Búsqueda automática) – Escanea los canales para encontrar señales disponibles, luego crea y guarda una lista de canales. Si está usando una antena VHF/UHF, asegúrese de que seleccione <b>AIR</b> (Aire) en la opción <b>SOURCE</b> (Fuente). Si está usando TV por cable, asegúrese de que seleccione <b>CABLE</b> en la opción <b>SOURCE</b> (Fuente).</p> <p><b>Notas:</b> Presione <b>MENU</b> para detener el escaneo. Si se encuentra en el modo <b>DIGITAL</b> y presiona <b>MENU</b> para detener el escaneo, los canales encontrados durante el escaneo no se guardarán.</p> <p>Después de escanear los canales en el modo <b>DIGITAL</b>:</p> <ul style="list-style-type: none"> <li>• Si se muestra un canal codificado, se requerirá una contraseña para ver el canal.</li> <li>• Si aparece el mensaje “<b>NO VIDEO</b>” (No hay video), el canal contiene sólo audio.</li> <li>• Si aparece el mensaje “<b>NO SIGNAL</b>” (No hay señal), el canal no tiene señal.</li> </ul>

Menú	Opción
FUNCTION (Función)	<p><b>LANGUAGE</b> (Idioma) – Selecciona el idioma del OSD.</p> <p><b>SCREEN</b> (Pantalla) – Selecciona el fondo de la pantalla cuando el televisor se encuentra encendido y no recibe una señal. Puede seleccionar OFF (Activado), BLUE BACK (Fondo azul) o SAVER (Salvapantallas).</p> <p><b>CHILD LOCK</b> (Bloqueo de los padres) – Activa y desactiva el bloqueo de los padres. Cuando selecciona esta opción, debe ingresar una contraseña de cuatro dígitos. La contraseña predeterminada es MUTE+999.</p> <p><b>CCD</b> – Selecciona el modo de subtítulos optativos digitales o analógicos. Presione el botón para subir o bajar el volumen para abrir el submenú CCD (subtítulos optativos).</p> <ul style="list-style-type: none"> <li>• <b>CCD</b> (Sólo para señales de TV analógica) – Selecciona el modo de subtítulos optativos. Puede seleccionar OFF (Desactivados), C1, C2, C3, C4, T1, T2, T3 y T4.</li> <li>• <b>DIGITAL CCD</b> (Subtítulos optativos digitales) – Seleccione uno de seis modos (DC1, DC2, DC3, DC4, DC5, DC6) o seleccione OFF (Desactivado).</li> <li>• <b>DIGITAL OPTION</b> (Opción digital) – Presione el botón para subir o bajar el volumen para abrir el submenú DIGITAL OPTION (Opción digital). Puede seleccionar una de las siguientes opciones:</li> <li>• <b>MODE</b> (Modo) – Selecciona si los subtítulos optativos digitales se pueden ajustar o no. Puede seleccionar MANUAL o DEFAULT (Predefinido).</li> <li>• <b>COLOR</b> – Presione el botón para subir o bajar el volumen para seleccionar el color de los subtítulos optativos digitales.</li> <li>• <b>FOREGROUND</b> (Primer plano) – Selecciona el color de primer plano. Puede seleccionar WHITE (Blanco), RED (Rojo), GREEN (Verde), BLUE (Azul), YELLOW (Amarillo), MAGENTA, CYAN (Turquesa) o BLACK (Negro).</li> </ul>

Menú	Opción
<p><b>FUNCTION (Función)</b> (continuado)</p>	<ul style="list-style-type: none"> <li>• <b>BACKGROUND</b> (Fondo) – Selecciona el color de fondo. Puede seleccionar WHITE (Blanco), RED (Rojo), GREEN (Verde), BLUE (Azul), YELLOW (Amarillo), MAGENTA, CYAN (Turquesa) o BLACK (Negro).</li> <li>• <b>OPACITY</b> (Opacidad) – Presione el botón para subir o bajar el volumen para seleccionar DIGITAL CCD OPACITY (Opacidad de los subtítulos optativos digitales).</li> <li>• <b>FOREGROUND</b> (Primer plano) – Selecciona la opacidad de primer plano. Puede seleccionar SOLID (Sólido), FLASH (Parpadear), TRANSLUCENT (Traslucido), o TRANSPARENT (Transparente).</li> <li>• <b>BACKGROUND</b> (Fondo) – Selecciona la opacidad del fondo. Puede seleccionar SOLID (Sólido), FLASH (Parpadear), TRANSLUCENT (Traslucido), o TRANSPARENT (Transparente).</li> <li>• <b>FONT</b> (Fuente) – Presione el botón para subir o bajar el volumen para seleccionar una opción de fuente de subtítulos optativos digitales.</li> <li>• <b>SIZE</b> (Tamaño) – Selecciona el tamaño de la fuente de subtítulos optativos digitales. Puede seleccionar LARGE (Grande), SMALL (Pequeña) o STANDARD (Estándar).</li> <li>• <b>STYLE</b> (Estilo) – Selecciona el estilo de la fuente de subtítulos optativos digitales. Puede seleccionar MONO SERIF, PROP-SERIF, MONO-SANS, PROP-SANS, CASUAL, CURSIVE (Cursiva), SMALL-CAPS (Mayúsculas pequeñas) o EXTENDED (Extendida).</li> </ul> <p><b>V-CHIP</b> – Ajusta el V-Chip para bloquear o desbloquear programas de TV. Para obtener más información, refiérase a “Ajuste de los controles de los padres” on page 80.</p>

## Especificaciones

Sistema de recepción	TV: NTSC, ATSC (8 V SB, 64QAM, 256QAM) AV: NTSC3.58 @ 60 Hz
Funciones	S-Video Auriculares Subtítulos optativos V-Chip Bloqueo de los padres AV estéreo
Salida de sonido	1 W x 2
Fuente de alimentación	120 V CA
Pilas del control remoto	1.5 V (2)
Consumo de energía especificado	70 W
Dimensiones Ancho x Profundidad x Alto	16.54 x 15.08 x 13.92 pulgadas (42 x 38.3 x 35.35 cm)
Peso	26.46 lb. (12 kg)

## Control remoto

Sistema de transmisión	Infrarrojo
Rango de control	27.9 pies (8.5 m)
Pilas	AAA 1.5 V (2)
Ángulo de control	30° horizontal

Dimensiones Ancho x Profundidad x Alto	1.93 x 6.14 x 0.81 pulgadas (4.9 x 15.6x 2.1 cm)
Peso	3 onzas (85 g)

## Localización y corrección de fallas

Problema	Solución
La imagen muestra interferencia y el sonido no está claro	Asegúrese de que la antena exterior esté conectada correctamente. Reubique la antena exterior.
La pantalla muestra imágenes dobles o triples, pero el sonido está claro	Las imágenes múltiples se llaman "ghosting" (fantasmas). Conecte su televisor a una antena exterior. Asegúrese de que use cables y terminaciones de alta calidad. Reubique la antena exterior.
La imagen tiene líneas (ondas) y el sonido está distorsionado	Interferencia eléctrica puede ser causada por autos y motocicletas. La interferencia eléctrica se puede causar también por lámparas fluorescentes y otros aparatos. Intente conectar su televisor en otro tomacorriente, preferiblemente un tomacorriente en otro circuito.
No hay sonido	Asegúrese de que el control de volumen está arriba y que la función de silenciamiento está desactivada.
No hay imagen o sonido	Asegúrese de que el cable de alimentación está enchufado en un tomacorriente que funcione. Asegúrese de que el brillo y contraste no esté ajustado demasiado bajo.
La imagen no tiene color	Ajuste los controles de color.



Problema	Solución
La imagen está desordenada	Cambie de canal.
La imagen tiene manchas	El color se puede ver afectado si mueve su televisor, si enciende aparatos como aspiradoras cerca de su televisor o si se colocan imanes demasiado cerca de su televisor. Apague su televisor usando el botón de encendido en el televisor (no el del control remoto). Deje su televisor apagado por lo menos por 15 minutos. Si la imagen todavía tiene manchas, apague su televisor y déjelo apagado por toda la noche.

## Mantenimiento

Desconecte su televisor del tomacorriente de pared antes de limpiarlo.

No use productos de limpieza líquidos o en aerosol.

Limpie la caja con un paño suave humedecido con agua. No rocíe agua directamente sobre la pantalla o el exterior.

## Avisos legales

### Derechos de reproducción

© 2007 Insignia. Insignia y el logotipo de Insignia son marcas de comercio de Best Buy Enterprise Services, Inc. Otras marcas y nombres de productos son marcas comerciales o marcas registradas de sus dueños respectivos. Las especificaciones y características están sujetas a cambio sin aviso previo u obligación.

## **Declaración de la FCC**

### **Notificación de la FCC**

#### **Dispositivo digital de clase B**

Este equipo ha sido sometido a prueba y se ha determinado que satisface los límites establecidos para ser clasificado como dispositivo digital de Clase B, de acuerdo con la Parte 15 del reglamento FCC.

Estos límites están diseñados para proporcionar una protección razonable contra interferencias dañinas cuando el equipo funciona en un ambiente residencial. Este equipo genera, usa y puede emitir energía de radiofrecuencia, y si no se instala y usa de acuerdo con el manual de instrucciones, este aparato puede causar interferencias perjudiciales a las comunicaciones de radio.

**Cuidado**

Conforme con 47CFR, Parte 15.21 de las reglas de la FCC, cualquier cambio o modificación a este dispositivo no aprobado expresamente por el fabricante puede causar interferencias dañinas y podría invalidar la autoridad del usuario para manejar este dispositivo.

**Cuidado**

Este es un producto de CLASE B. En un ambiente residencial, este producto puede causar interferencias de radio, en cuyo caso el usuario quizás deba tomar las medidas adecuadas para eliminar la interferencia.

## Garantía Limitada de 1 Año

Insignia Products ("Insignia") le garantiza a usted, el comprador original de este nuevo **NS-F14TV** ("Producto"), que éste se encontrará libre de defectos de material o de mano de obra en su fabricación original por un periodo de un (1) año a partir de la fecha de compra del Producto ("Período de Garantía"). Este Producto debe ser comprado en un distribuidor autorizado de productos de la marca Insignia y empaçado con esta declaración de garantía. Esta garantía no cubre Productos reacondicionados. Si notifica a Insignia durante el Período de Garantía sobre un defecto cubierto por esta garantía que requiere reparación, los términos de esta garantía se aplican.

### *¿Cuánto dura la garantía?*

El Período de Garantía dura por 1 año (365 días) a partir de la fecha en que compró el Producto. La fecha de compra se encuentra impresa en el recibo que recibió con el Producto.

### *¿Qué es lo que cubre esta garantía?*

Durante el Período de Garantía, si un centro de reparación autorizado de Insignia concluye que la fabricación original del material o la mano de obra del Producto se encuentran defectuosos, Insignia (cómo su opción exclusiva): (1) reparará el Producto con repuestos nuevos o reacondicionados; o (2) reemplazará el Producto sin cargo con uno nuevo o con uno reacondicionado con repuestos equivalentes. Los Productos y repuestos reemplazados bajo esta garantía se volverán propiedad de Insignia y no se le regresarán a usted. Si se requiere la reparación de Productos o partes después de que se vence el Período de Garantía, usted deberá pagar todos los costos de mano de obra y de repuestos. Esta garantía estará vigente con tal que usted sea el dueño de su Producto Insignia durante el periodo de garantía. El alcance de la garantía se termina si usted vende o transfiere el Producto.

### *¿Cómo se obtiene la reparación de garantía?*

Si ha comprado el Producto en una tienda de ventas, lleve su recibo original y el Producto a la tienda en donde lo compró. Asegúrese de que vuelva a colocar el Producto en su empaque original o en un empaque que provea la misma protección que el original. Si compró el Producto en un sitio Web, envíe por correo su recibo original y el Producto a la dirección postal listada en el sitio Web. Asegúrese de colocar el Producto en su empaque original o en un empaque que provea la misma protección que el original.

Para obtener el servicio de garantía a domicilio para un televisor con pantalla de 25" o más, llame al 1-888-BESTBUY. El soporte técnico diagnosticará y corregirá el problema por teléfono o enviará un técnico certificado por Insignia a su casa.

### *¿En dónde es válida la garantía?*

Esta garantía sólo es válida al comprador original del Producto en los Estados Unidos y en Canadá.

### *¿Qué es lo que no cubre la garantía?*

Esta garantía no cubre:

- Formación del cliente
- Instalación
- Ajuste de configuración
- Daños cosméticos
- Daños debido a actos de la naturaleza, tal cómo rayos
- Accidentes
- Mal uso

- Abuso
- Negligencia
- Uso comercial
- Modificación de alguna parte del Producto, incluyendo la antena
- Un panel de pantalla de plasma dañado por la persistencia de imágenes estáticas (sin movimiento), mostradas por periodos de tiempo extendido (efecto "burn-in").

Esta garantía tampoco cubre:

- Daño debido al uso o mantenimiento incorrecto
- La conexión a una fuente de voltaje incorrecta
- El intento de reparación por alguien que no sea una compañía autorizada por Insignia para reparar el Producto
- Productos vendidos tal cual (en el estado en que se encuentran) o con todas sus fallas
- Productos consumibles, tal cómo fusibles o baterías
- Productos en los cuales el número de serie asignado en la fábrica ha sido alterado o removido.

LA REPARACIÓN O REEMPLAZO SEGÚN LO PROVISTO BAJO ESTA GARANTÍA ES SU ÚNICO RECURSO. INSIGNIA NO SERÁ RESPONSABLE POR DAÑOS INCIDENTALES O CONSECUENTES DEBIDO AL INCUMPLIMIENTO DE CUALQUIER GARANTÍA EXPRESA O IMPLÍCITA RELACIONADA CON ESTE PRODUCTO, INCLUYENDO, PERO SIN LIMITARSE A ELLO, PÉRDIDA DE DATOS, IMPOSIBILIDAD DE USO DE SU PRODUCTO, PÉRDIDA DE NEGOCIO O LUCRO CESANTE. INSIGNIA NO CONCEDE NINGUNA OTRA GARANTÍA EXPRESA CON RESPECTO AL PRODUCTO; TODAS LAS GARANTÍAS EXPRESAS E IMPLÍCITAS DE ESTE PRODUCTO, INCLUYENDO PERO SIN LIMITARSE A, CUALQUIER GARANTÍA IMPLÍCITA DE O CONDICIONES DE COMERCIALIZACIÓN O IDONEIDAD PARA UN USO PARTICULAR, ESTÁN LIMITADAS EN DURACIÓN AL PERÍODO DE GARANTÍA DECLARADO ANTERIORMENTE Y NINGUNA GARANTÍA YA SEA EXPRESA O IMPLÍCITA SE APLICARÁ DESPUÉS DEL PERÍODO DE GARANTÍA. ALGUNOS ESTADOS, PROVINCIAS Y JURISDICCIONES NO PERMITEN RESTRICCIONES EN CUANTO A LA DURACIÓN DE UNA GARANTÍA IMPLÍCITA, ASÍ QUE LA RESTRICCIÓN ANTERIOR PUEDE NO APLICARSE EN SU CASO. ESTA GARANTÍA LE DA DERECHOS LEGALES ESPECÍFICOS, Y USTED PUEDE POSEER OTROS DERECHOS QUE VARIAN DE ESTADO A ESTADO, O PROVINCIA A PROVINCIA.

Comuníquese con Insignia: Para servicio al cliente favor llamar al 1-877-467-4289

[www.insignia-products.com](http://www.insignia-products.com)

INSIGNIA™ es una marca comercial de Best Buy Enterprise Services, Inc.

Distribuido por Best Buy Purchasing, LLC.

Insignia, 7601 Penn Avenue South, Richfield, Minnesota, U.S.A.





**Distributed by Insignia™ Products**  
**Distribué par Insignia™ Products**  
**Distribuido por Insignia™ Products**

7601 Penn Avenue South  
Richfield, MN USA 55423-3645  
[www.Insignia-Products.com](http://www.Insignia-Products.com)

© 2007 Insignia™ Products  
All rights reserved. All other products and brand names are trademarks of their respective owners.

© 2007 produits Insignia™  
Tous droits réservés. Tous les autres produits ou noms de marques sont des marques de commerce qui appartiennent à leurs propriétaires respectifs.

© 2007 productos Insignia™  
Todos los derechos reservados. Todos los demás productos y marcas son marcas comerciales de sus respectivos dueños.

## Free Manuals Download Website

<http://myh66.com>

<http://usermanuals.us>

<http://www.somanuals.com>

<http://www.4manuals.cc>

<http://www.manual-lib.com>

<http://www.404manual.com>

<http://www.luxmanual.com>

<http://aubethermostatmanual.com>

Golf course search by state

<http://golfingnear.com>

Email search by domain

<http://emailbydomain.com>

Auto manuals search

<http://auto.somanuals.com>

TV manuals search

<http://tv.somanuals.com>