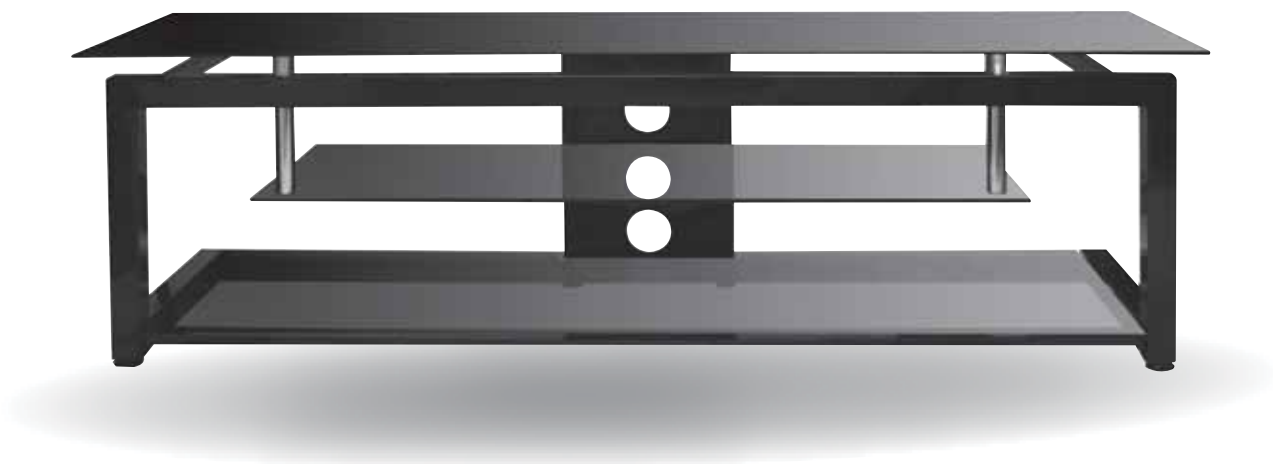


INSIGNIA™

# 68" Metal and Glass TV Stand

NS-MG1205-C



SAFETY INFORMATION AND SPECIFICATIONS....	2
PACKAGE CONTENTS: PARTS.....	3
PACKAGE CONTENTS: HARDWARE.....	4
ASSEMBLY INSTRUCTIONS.....	5
CARE AND MAINTENANCE.....	16

## SAFETY INFORMATION AND SPECIFICATIONS



**CAUTION:** The top surface of this stand is designed for use with a product weighing no more than 300 lbs. (136.4 kg) and having a 68" wide flat-panel TV dimensions permits it to sit evenly on the stand with no more than a one-inch overhang on each side of the shelf. Use with products that weigh more than the maximum weight allowed, or with dimensions that extend beyond the maximum width may result in instability, which may result in injury.



**CAUTION:** This product contains small items that could be a choking hazard if swallowed.

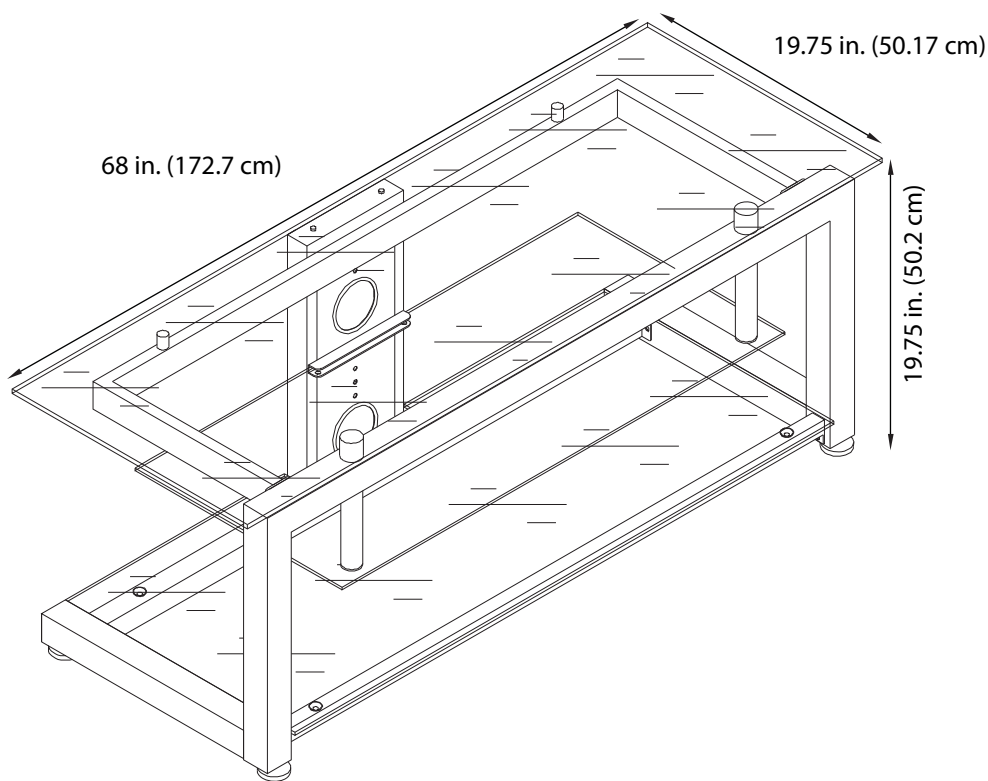
Keep these items away from young children!  
Model #: NS-MG1205-C

**Maximum weight:** 300 lbs. (136.4 kg)

**Maximum screen size:** 68" diagonal

**Overall dimensions (W x H x D):**

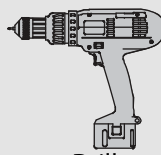
68 x 19.75 x 19.75" (172.7 x 50.2 x 50.2 cm)



### Tools needed:



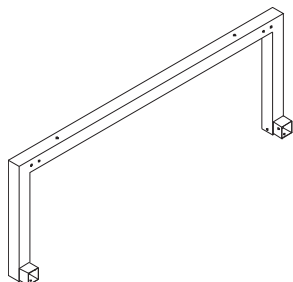
Phillips screwdriver



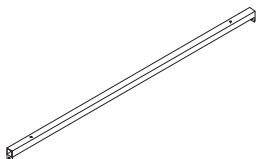
Drill

# PACKAGE CONTENTS: PARTS

**A** Front Support (1)

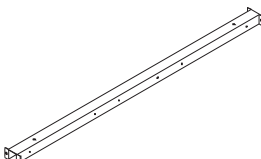


**B** Front base (1)



**Note:** The front base has one screw tab on each end.

**C** Back base (1)



**Note:** The back base has two screw tabs on each end.

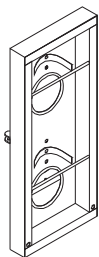
**D** Left base (1)



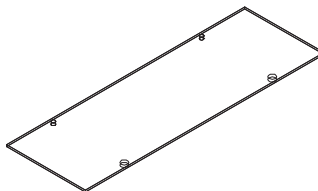
**E** Right base (1)



**F** Rear support panel (1)



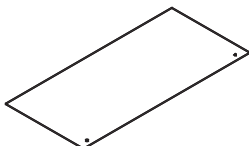
**G** Top shelf (1)



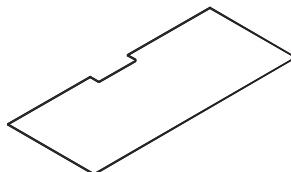
**H** Pillar support (2)



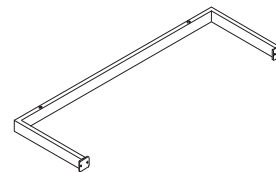
**I** Middle shelf (1)



**J** Bottom shelf (1)



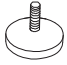
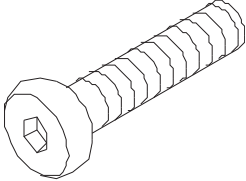
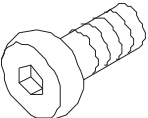
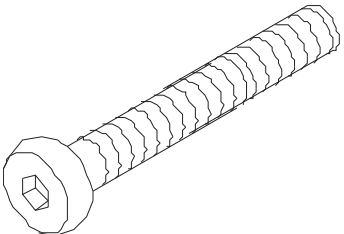
**R** Top frame (1)







## PACKAGE CONTENTS: HARDWARE

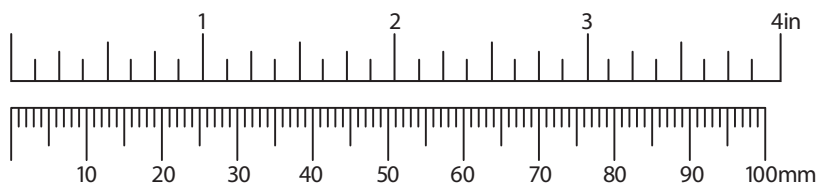
**Note:** You may receive extra hardware.

Make sure that you have all of the hardware necessary to assemble your new TV stand:

Label	Hardware	Qty.
K	 Foot	6
L	 Medium screw 1 1/4" (33 mm)	2
M	 Short screw 3/4" (19 mm)	16
N	 Long screw 1 3/4" (45 mm)	6

Label	Hardware	Qty.
O	 Suction cup	4
P	 Clamp screw	2
Q	 Allen wrench	1
S	 Shelf pad	2

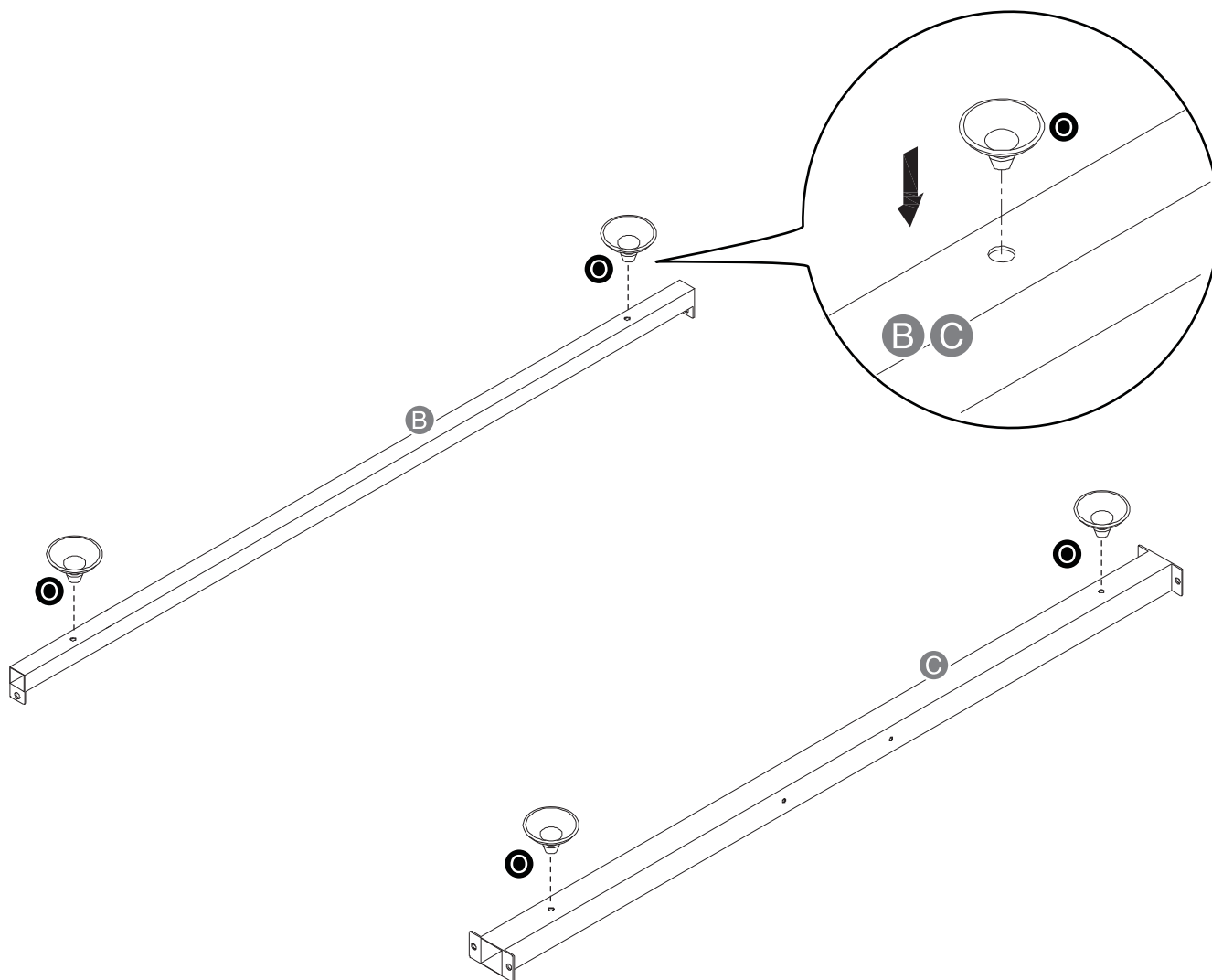
An optional anti-tipping hardware kit is included. Instructions on how to install the hardware are included on the bag containing the kit.



## ASSEMBLY INSTRUCTIONS

### Step 1: Preparing the bases

- Insert two suction cups into the front base (B) and two suction cups in the back base (C).



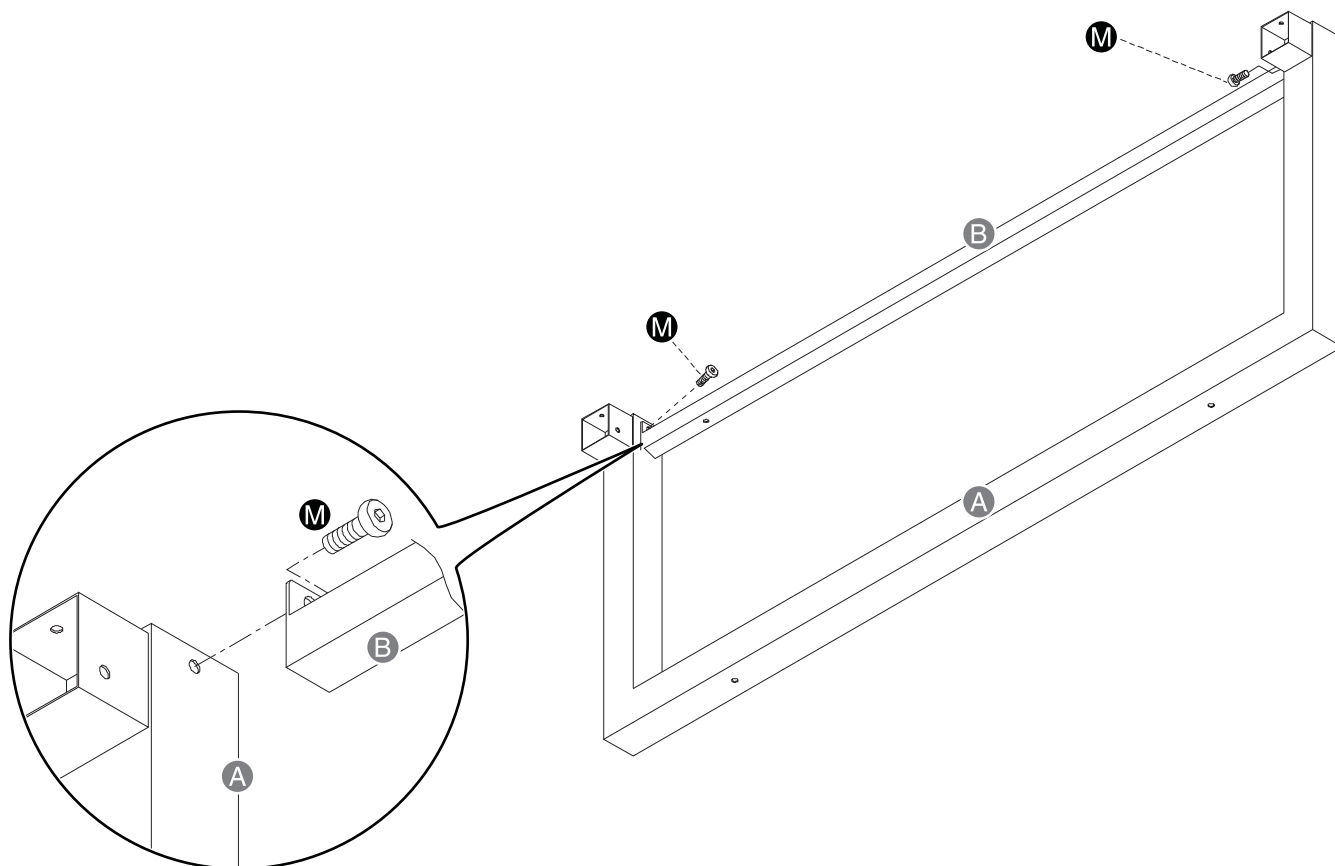
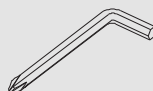
#### You'll need:



○ (4)

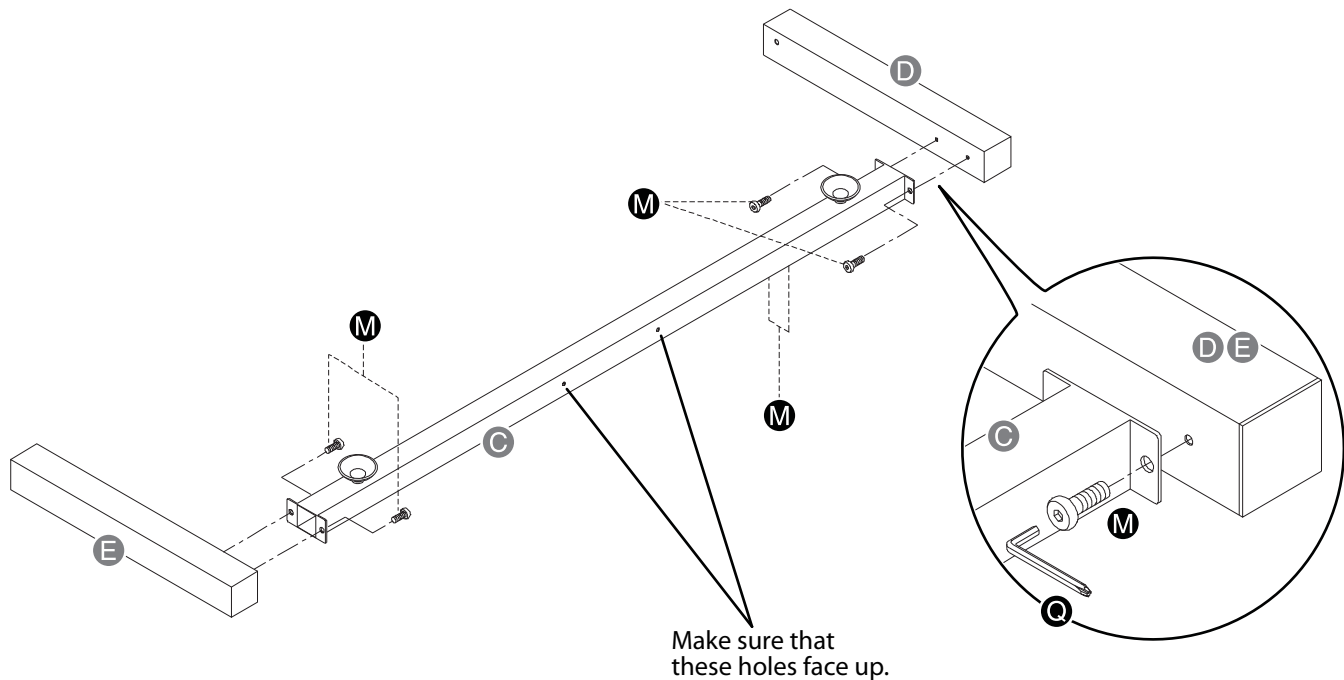
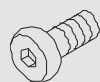
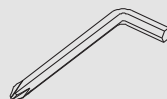
**Step 2: Attaching the front base to the front support**

- From the inside of the front base (B), insert a short screw (M) through the screw hole on each tab and into the screw holes on the front support (A). Make sure that the tabs with the screw holes on the front base (B) point down. Use the Allen wrench (Q) to tighten the screws.

**You'll need:****M (2)****Q (1)**

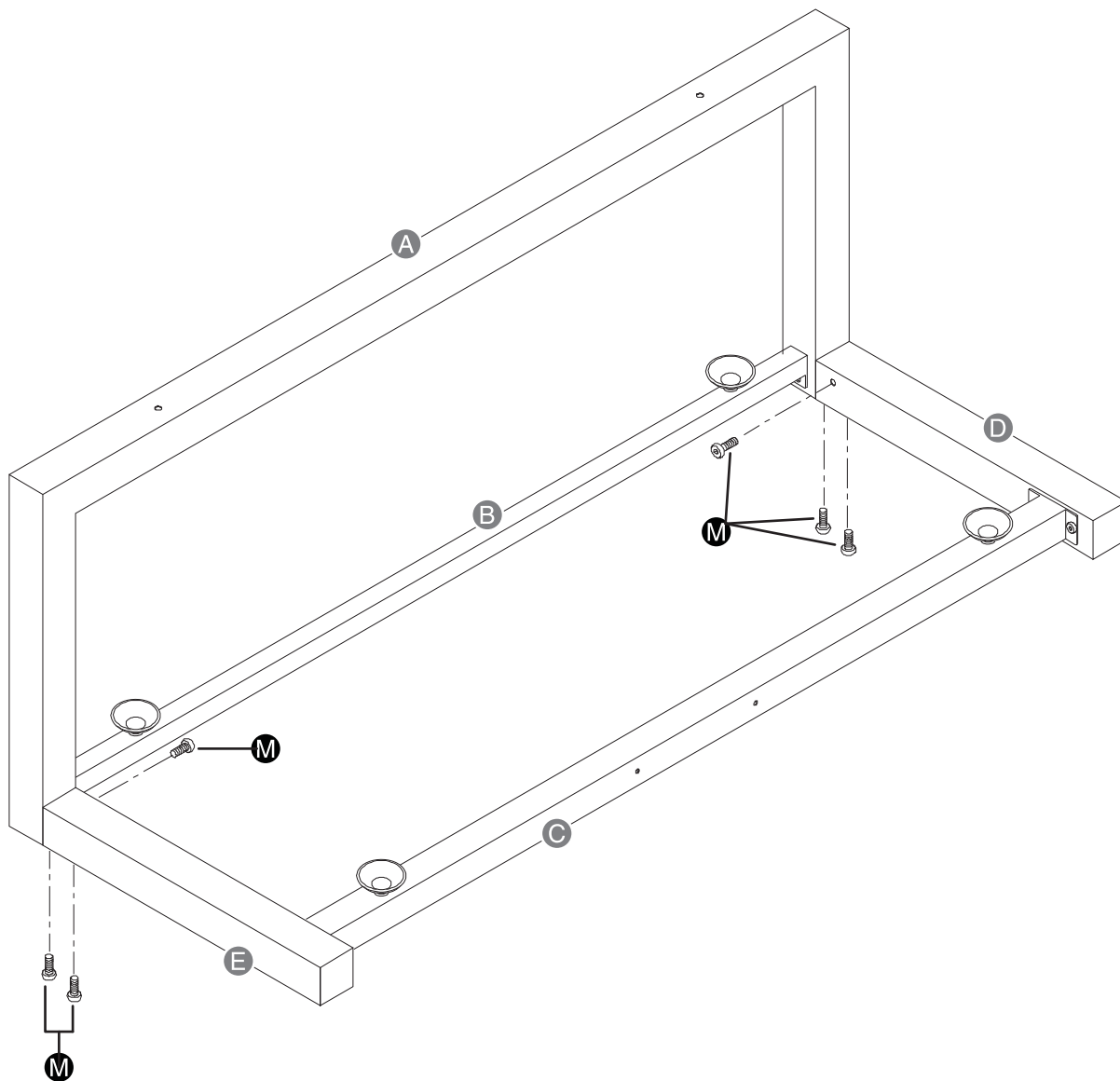
**Step 3: Attaching the side bases to the back base**

- 1 From the inside of the back base (C), insert short screws (M) through the screw holes on the tabs and into the screw holes on the left base (D). On the back base (C), make sure that the suction cups (O) face up and the screw holes face out. Use the Allen wrench (Q) to tighten the screws.
- 2 Repeat this step to attach the right base (E) to the back base (C).

**You'll need:****M (4)****Q (1)**

### Step 4: Attaching the left and right bases to the front support

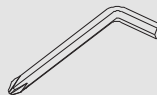
- Slide the ends of the left base (C) and right base (E) into the openings on the front support (A). Make sure that the two screw holes on the bottom of each base and the screw hole on the side of each base align with the screw holes in the front support frame (A). Insert a short screw (M) through each of the six screw holes (three holes on each base), then use the Allen wrench (Q) to tighten the screws.



#### You'll need:



M (6)

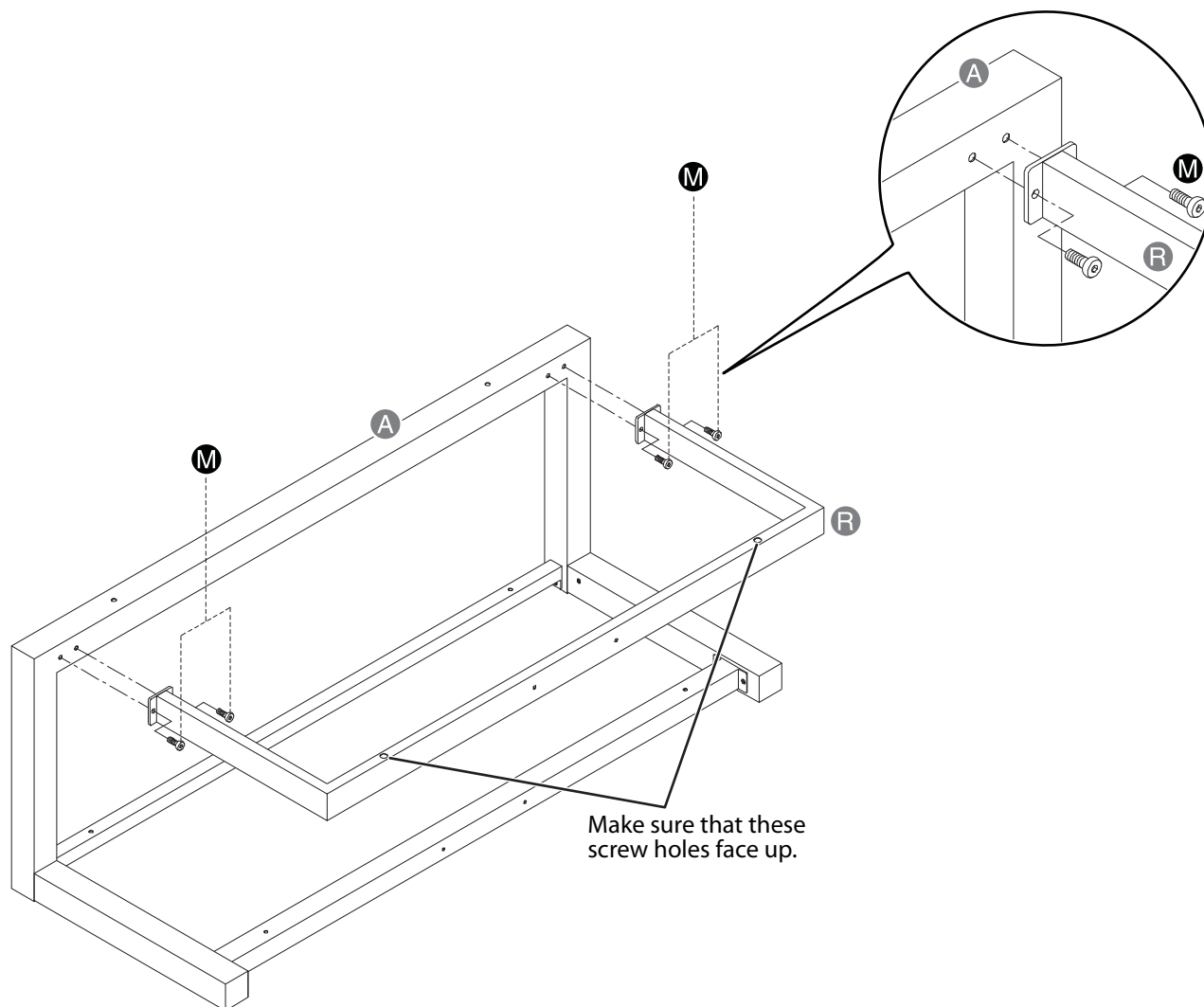


Q (1)



### Step 5: Attaching the top frame

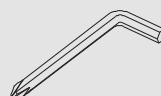
- Align the screw holes in the tabs on the ends of the top frame (**R**) with the screw holes on the inside top of the front support (**A**). Insert short screws (**M**) through the screw holes on the tabs and into the screw holes on the front support (**A**). Use the Allen wrench (**Q**) to tighten the screws.



#### You'll need:



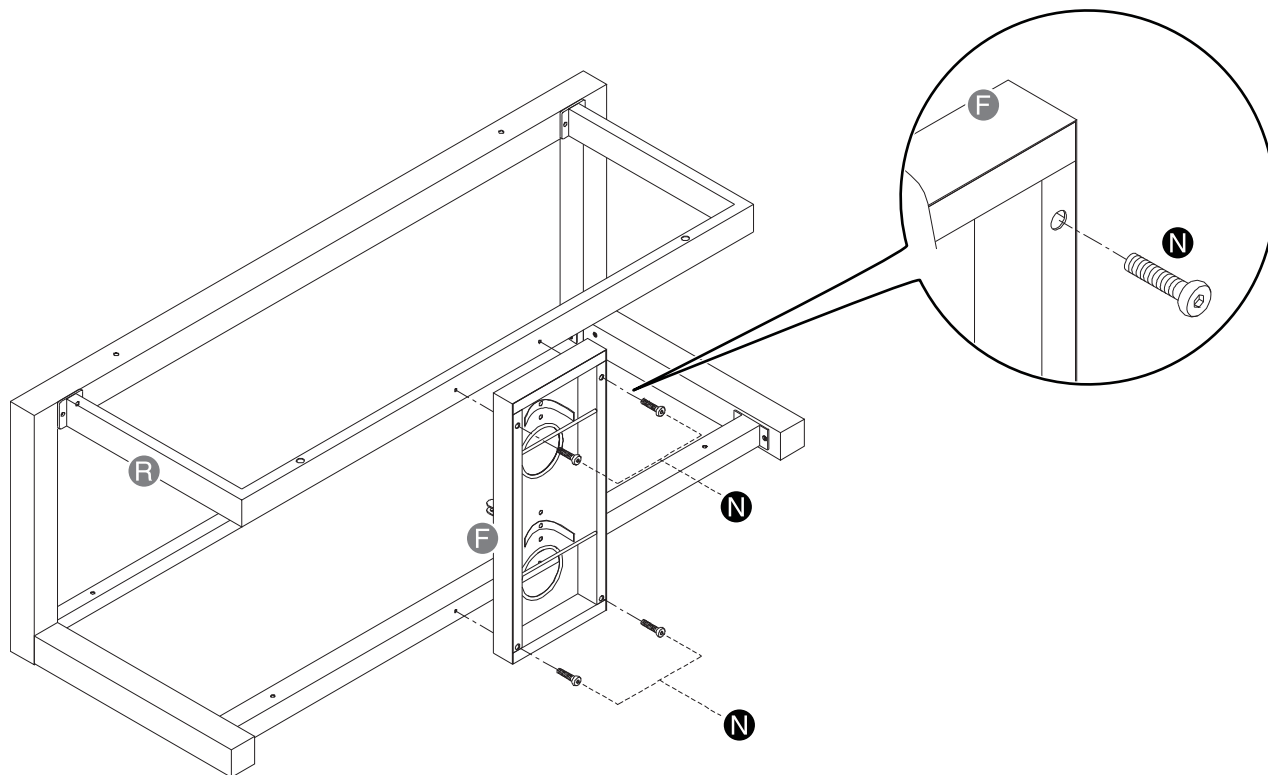
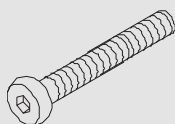
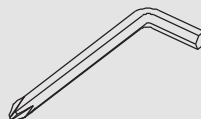
**M** (4)



**Q** (1)

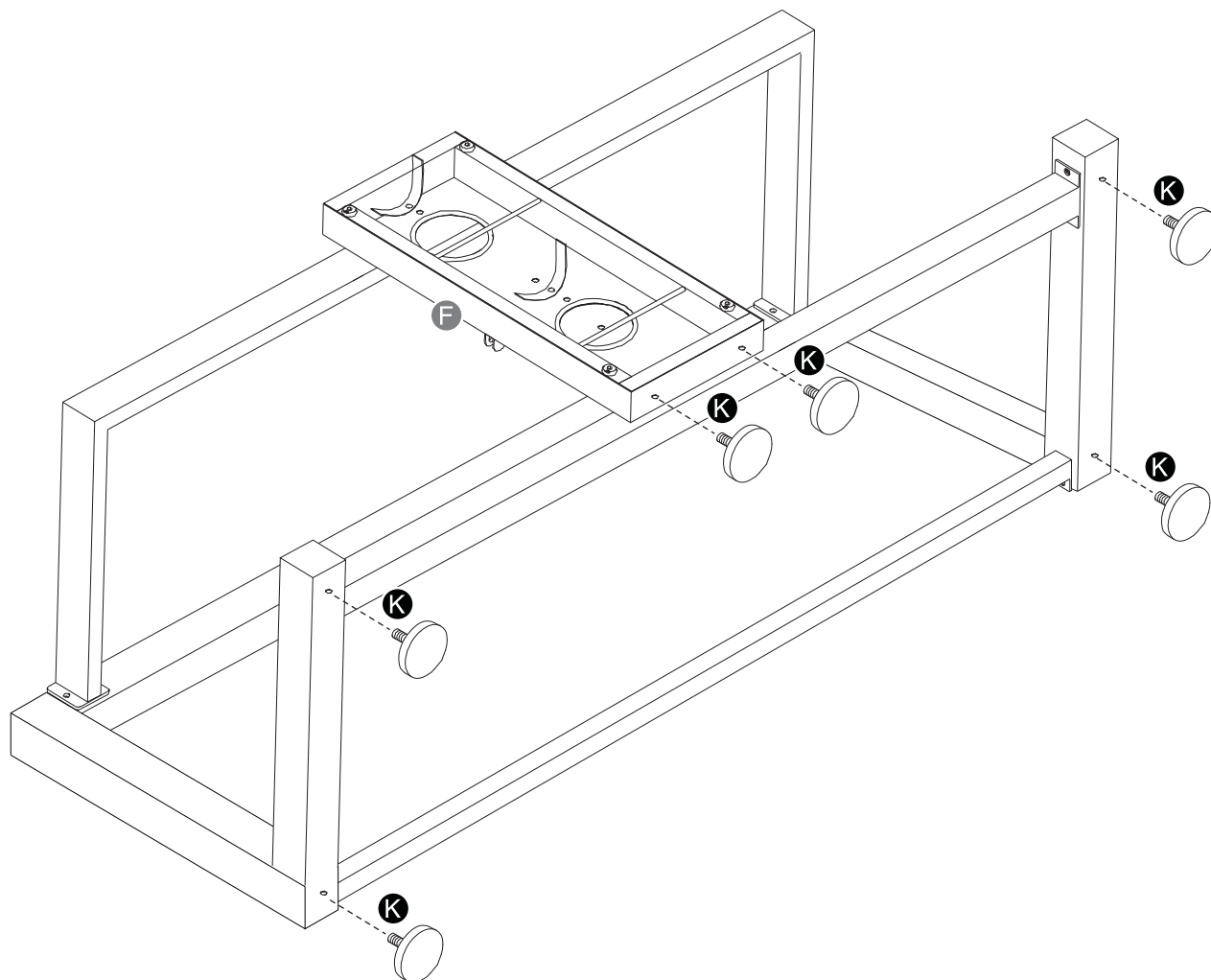
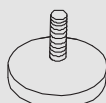
**Step 6: Attaching the rear support panel**

- Insert long screws (**N**) through the screw holes on the rear support panel (**F**) and into the screw holes on the top frame (**R**) and back base (**C**). Use the Allen wrench (**Q**) to tighten the screws.

**You'll need:****N (4)****Q (1)**

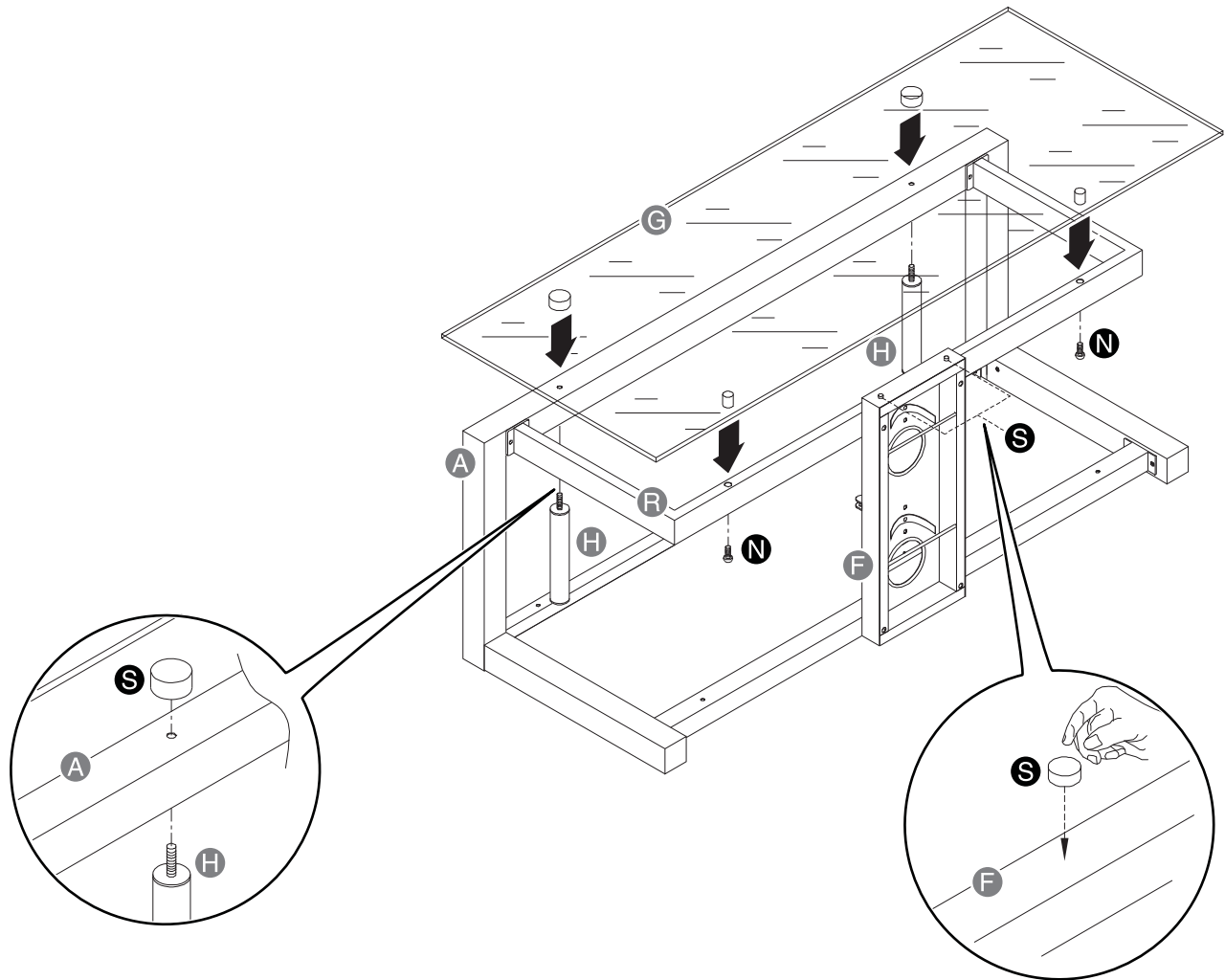
**Step 7: Attaching the feet**

- Flip the stand so the rear support panel (F) is facing up. Screw a foot (K) into the each of the bottom four corners of the front support frame (A) and the bottom corners of the rear support panel (F).

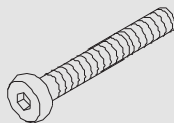
**You'll need:****K (6)**

### Step 8: Attaching the top shelf and pillar supports

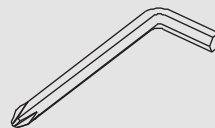
- 1 Attach a shelf pad (S) to each of the top corners on the rear support panel (F).
- 2 Align the screw holes on the top shelf (G) with the screw holes in the top of the front support (A) and the top of the top frame (R).
- 3 From underneath the front support panel (A), screw a pillar support (H) through each of the two screw holes and into the silver screw caps on the top shelf (G). Turn the pillar support to tighten. Do not over-tighten.
- 4 From underneath the top frame (R), insert long screws through the screw holes on the top frame (R) and into the silver screw caps on top shelf (G). Use the Allen wrench (Q) to tighten the screws. Do not over-tighten.



#### You'll need:



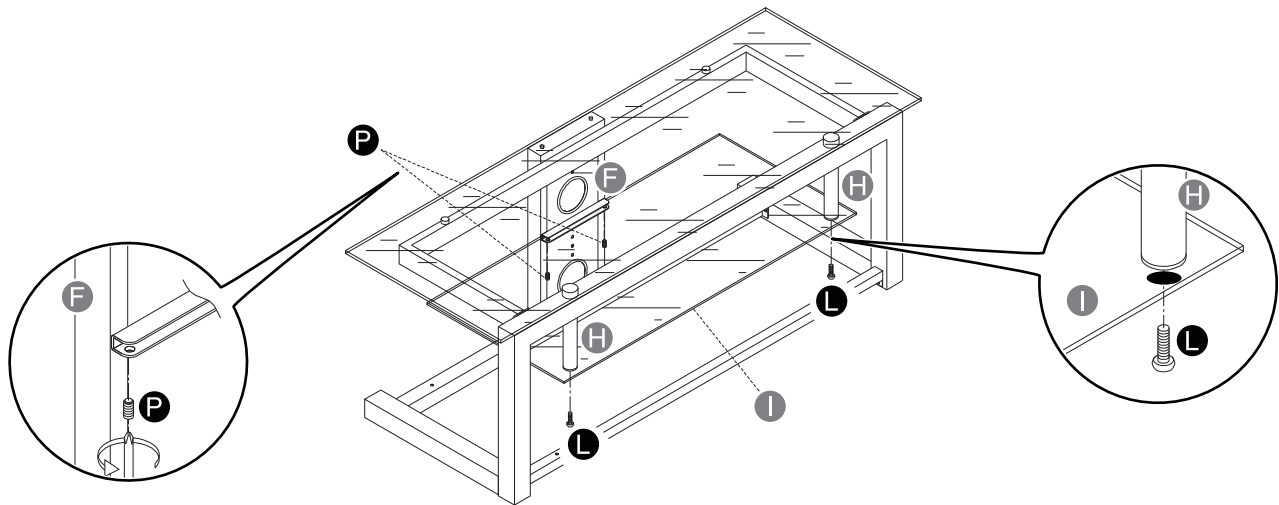
N (2)



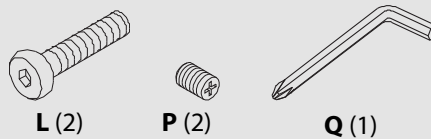
Q (1)

### Step 9: Installing the middle shelf

- 1 From the front of the stand, slide the middle shelf (I) into the shelf bracket on the rear support panel (F). Make sure that the screw holes in the middle shelf face the front of the stand and the black screw caps on shelf face down.
- 2 From the underneath of the middle shelf (I), insert medium screws (L) through the screw holes on the middle shelf and into the screw holes on the bottoms of the pillar supports (H). Use the Allen wrench (Q) to tighten the screws.
- 3 Insert clamp screws (P) into the two holes on the bottom of the shelf bracket, then use the Allen wrench (Q) to tighten the clamp screws (P).

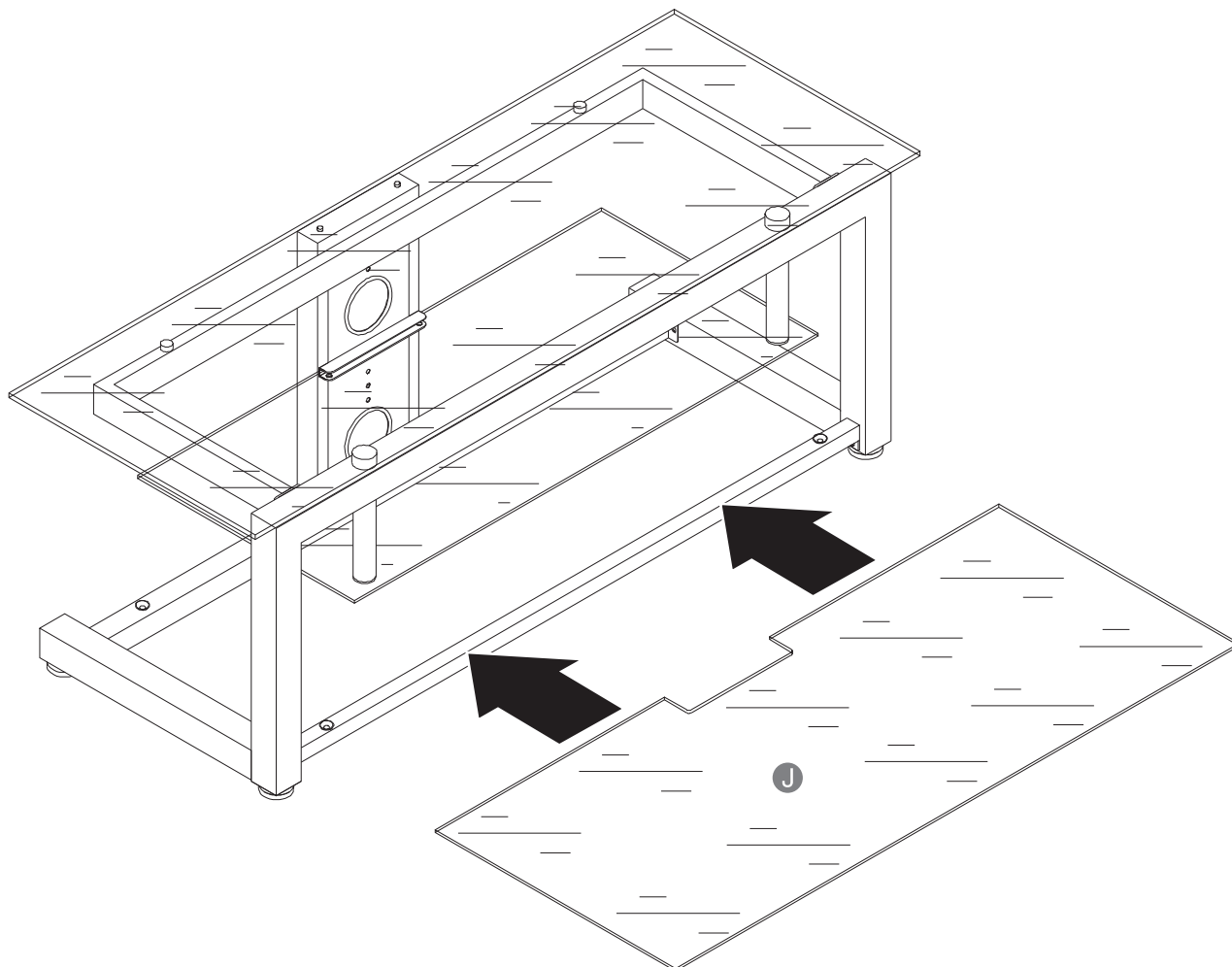


#### You'll need:



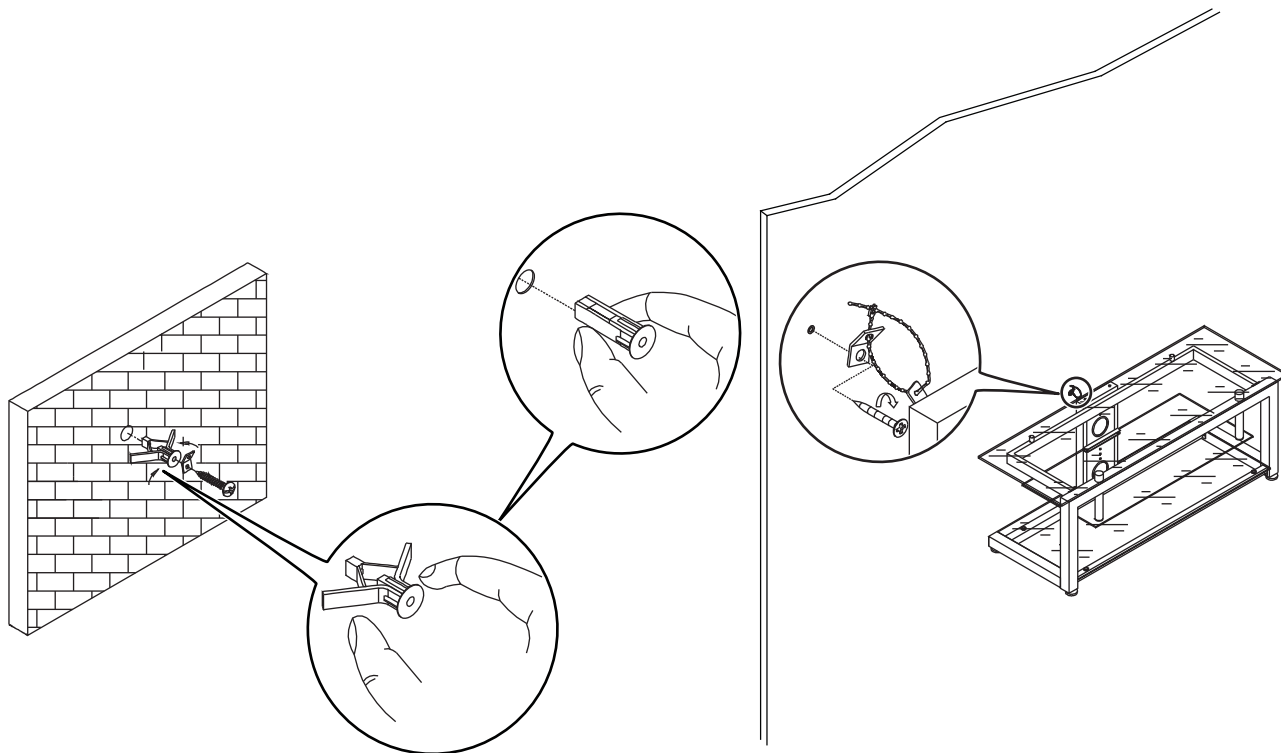
**Step 10: Install the bottom shelf**

- From the front of the stand, insert the bottom shelf (**J**). Make sure that the notch of the bottom shelf (**J**) faces the back of the stand and fits around the rear support panel (**F**).

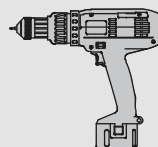


**Step 11 - Optional: Install the anti-tipping restraint hardware**

- Instructions are included in the bag containing the hardware.

**You'll need:**

Phillips screwdriver



Drill

# CARE AND MAINTENANCE

## Glass

- Use a commercial liquid glass cleaner and a soft cloth.
- Do not use harsh powders or any other abrasive substances as they will scratch the glass.

### **WARNING**

Please use your furniture correctly and safely. Improper use can cause safety hazards or damage to your furniture or household items. *Carefully read the following chart.*

Look out for:	What can happen:	How to avoid the problem:
<ul style="list-style-type: none"> <li>• Children climbing on furniture.</li> <li>• A child may try to reach a toy or other object by climbing on furniture.</li> <li>• Children will play and be active near the TV.</li> </ul>	<ul style="list-style-type: none"> <li>• Risk of injury or death.</li> <li>• A child climbing on a piece of furniture can make it top-heavy and cause it to tip over.</li> <li>• A child playing with a TV can cause it to tip over.</li> </ul>	<ul style="list-style-type: none"> <li>• Never allow children to climb on or play with furniture.</li> <li>• Do not place toys or food on the top shelves. Children may try to climb to reach them out of curiosity.</li> </ul>
<ul style="list-style-type: none"> <li>• Improper use of furniture to support TVs.</li> <li>• Furniture designed for use with TVs will specify the maximum weight rating and recommended size of the TVs it will safely support.</li> </ul>	<ul style="list-style-type: none"> <li>• Risk of injury or death.</li> <li>• TVs can be very heavy. Plus the weight and location of the picture tube tends to make TVs unbalanced and prone to tipping forward.</li> <li>• Furniture items such as general-purpose utility carts, tables, or dressers may become unstable and tip if a TV is set on them.</li> </ul>	<ul style="list-style-type: none"> <li>• A TV must only be set on furniture specifically designed to support a television.</li> <li>• Never use a TV that exceeds the weight ratings or size guidelines specified for the furniture.</li> </ul>
<ul style="list-style-type: none"> <li>• Overloaded shelves</li> </ul>	<ul style="list-style-type: none"> <li>• Risk of injury.</li> <li>• Top-heavy furniture can tip over.</li> <li>• Overloaded shelves can break.</li> </ul>	<ul style="list-style-type: none"> <li>• Never exceed the weight limits shown in the instructions.</li> <li>• Work from the bottom to the top when loading shelves.</li> </ul>
<ul style="list-style-type: none"> <li>• Improperly moving furniture that is not designed and equipped with casters.</li> </ul>	<ul style="list-style-type: none"> <li>• Furniture can tip over or break if improperly moved.</li> <li>• Physical injury. Furniture can be very heavy.</li> </ul>	<ul style="list-style-type: none"> <li>• Unload shelves from the top to the bottom before moving the furniture.</li> <li>• Do not push furniture, especially on a carpeted floor. Have a friend help you lift the item and set it in place.</li> <li>• Remove the TV before moving the TV stand.</li> </ul>



# ONE-YEAR LIMITED WARRANTY - INSIGNIA

## Definitions:

The Distributor\* of Insignia branded products warrants to you, the original purchaser of this new Insignia-branded product ("Product"), that the Product shall be free of defects in the original manufacturer of the material or workmanship for a period of one (1) year from the date of your purchase of the Product ("Warranty Period").

For this warranty to apply, your Product must be purchased in the United States or Canada from a Best Buy branded or Future Shop branded retail store or online at [www.bestbuy.com](http://www.bestbuy.com), [www.bestbuy.ca](http://www.bestbuy.ca), or [www.futureshop.ca](http://www.futureshop.ca) and is packaged with this warranty statement.

## How long does the coverage last?

The Warranty Period lasts for 1 year (365 days) from the date you purchased the Product. Your purchase date is printed on the receipt you received with the Product.

## What does this warranty cover?

During the Warranty Period, if the original manufacture of the material or workmanship of the Product is determined to be defective by an authorized Insignia repair center or store personnel, Insignia will (at its sole option): (1) repair the Product with new or rebuilt parts; or (2) replace the Product at no charge with new or rebuilt comparable products or parts. Products and parts replaced under this warranty become the property of Insignia and are not returned to you. If service of Products or parts are required after the Warranty Period expires, you must pay all labor and parts charges. This warranty lasts as long as you own your Insignia Product during the Warranty Period. Warranty coverage terminates if you sell or otherwise transfer the Product.

## How to obtain warranty service?

If you purchased the Product at a Best Buy or Future Shop retail store location, please take your original receipt and the Product to any Best Buy or Future Shop store. Make sure that you place the Product in its original packaging or packaging that provides the same amount of protection as the original packaging. If you purchased the Product from a Best Buy or Future Shop online web site ([www.bestbuy.com](http://www.bestbuy.com), [www.bestbuy.ca](http://www.bestbuy.ca), or [www.futureshop.ca](http://www.futureshop.ca)), mail your original receipt and the Product to the address listed on the web site. Make sure that you put the Product in its original packaging or packaging that provides the same amount of protection as the original packaging.

To obtain warranty service, in the United States call 1-888-BESTBUY, Canada call 1-866-BESTBUY for Future Shop call 1-800-663-2275. Call agents may diagnose and correct the issue over the phone.

## Where is the warranty valid?

This warranty is valid only in the United States and Canada at Best Buy or Future Shop branded retail stores or websites to the original purchaser of the product in the county where the original purchase was made.

## What does the warranty not cover?

This warranty does not cover:

- Customer instruction/education
- Installation
- Set up adjustments
- Cosmetic damage
- Damage due to weather, lightning, and other acts of God, such as power surges
- Accidental damage
- Misuse
- Abuse
- Negligence
- Commercial purposes/use, including but not limited to use in a place of business or in communal areas of a multiple dwelling condominium or apartment complex, or otherwise used in a place of other than a private home.

- Modification of any part of the Product, including the antenna
- Display panel damaged by static (non-moving) images applied for lengthy periods (burn-in).
- Damage due to incorrect operation or maintenance
- Connection to an incorrect voltage or power supply
- Attempted repair by any person not authorized by Insignia to service the Product
- Products sold "as is" or "with all faults"
- Consumables, including but not limited to batteries (i.e. AA, AAA, C etc.)
- Products where the factory applied serial number has been altered or removed
- Loss or Theft of this product or any part of the product
- Display panels containing up to three (3) pixel failures (dots that are dark or incorrectly illuminated) grouped in an area smaller than one tenth (1/10) of the display size or up to five (5) pixel failures throughout the display. (Pixel based displays may contain a limited number of pixels that may not function normally.)
- Failures or Damage caused by any contact including but not limited to liquids, gels or pastes.

REPAIR REPLACEMENT AS PROVIDED UNDER THIS WARRANTY IS YOUR EXCLUSIVE REMEDY FOR BREACH OF WARRANTY. INSIGNIA SHALL NOT BE LIABLE FOR ANY INCIDENTAL OR CONSEQUENTIAL DAMAGES FOR THE BREACH OF ANY EXPRESS OR IMPLIED WARRANTY ON THIS PRODUCT, INCLUDING, BUT NOT LIMITED TO, LOST DATA, LOSS OF USE OF YOUR PRODUCT, LOST BUSINESS OR LOST PROFITS. INSIGNIA PRODUCTS MAKES NO OTHER EXPRESS WARRANTIES WITH RESPECT TO THE PRODUCT, ALL EXPRESS AND IMPLIED WARRANTIES FOR THE PRODUCT, INCLUDING, BUT NOT LIMITED TO, ANY IMPLIED WARRANTIES OF AND CONDITIONS OF MERCHANTABILITY AND FITNESS FOR A PARTICULAR PURPOSE, ARE LIMITED IN DURATION TO THE WARRANTY PERIOD SET FORTH ABOVE AND NO WARRANTIES, WHETHER EXPRESS OR IMPLIED, WILL APPLY AFTER THE WARRANTY PERIOD. SOME STATES, PROVINCES AND JURISDICTIONS DO NOT ALLOW LIMITATIONS ON HOW LONG AN IMPLIED WARRANTY LASTS, SO THE ABOVE LIMITATION MAY NOT APPLY TO YOU. THIS WARRANTY GIVES YOU SPECIFIC LEGAL RIGHTS, AND YOU MAY ALSO HAVE OTHER RIGHTS, WHICH VARY FROM STATE TO STATE OR PROVINCE TO PROVINCE.

Contact Insignia:

For customer service please call 1-877-467-4289

[www.insigniaproducts.com](http://www.insigniaproducts.com)

INSIGNIA is a trademark of Best Buy and its affiliated companies.

Registered in some countries.

Distributed by Best Buy Purchasing, LLC

7601 Penn Ave South, Richfield, MN 55423 U.S.A.

©2014 Best Buy. All rights reserved.

Made in China

# INSIGNIA™

## **Certificate of Conformity**

1. This certificate applies to the Insignia Product identified by this instruction booklet.
2. This certificate applies to the compliance of this product with the CPSC Ban on Lead-Containing Paint (16 CFR 1303).
3. This product was manufactured for:  
Insignia
4. Date of Manufacture: \_\_\_\_\_

Lot number:

1-877-467-4289 (U.S. and Canada) or 01-800-926-3000 (Mexico)  
[www.insigniaproducts.com](http://www.insigniaproducts.com)

INSIGNIA is a trademark of Best Buy and its affiliated companies.  
Registered in some countries.  
Distributed by Best Buy Purchasing, LLC  
7601 Penn Ave South, Richfield, MN 55423 U.S.A.  
©2014 Best Buy. All rights reserved.  
Made in China

## Free Manuals Download Website

<http://myh66.com>

<http://usermanuals.us>

<http://www.somanuals.com>

<http://www.4manuals.cc>

<http://www.manual-lib.com>

<http://www.404manual.com>

<http://www.luxmanual.com>

<http://aubethermostatmanual.com>

Golf course search by state

<http://golfingnear.com>

Email search by domain

<http://emailbydomain.com>

Auto manuals search

<http://auto.somanuals.com>

TV manuals search

<http://tv.somanuals.com>