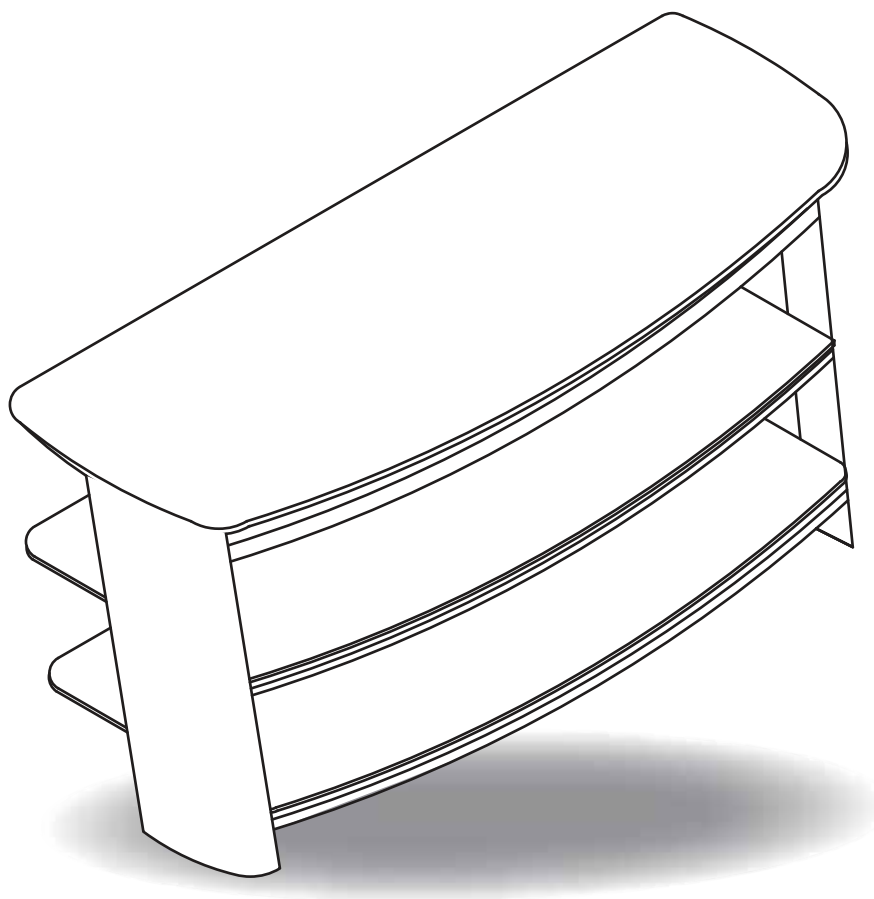


INSIGNIA™

High-Gloss Black Metal and Glass TV Stand

NS-MG1344



SAFETY INFORMATION AND SPECIFICATIONS....	2
PACKAGE CONTENTS: PARTS.....	3
PACKAGE CONTENTS: HARDWARE.....	4
ASSEMBLY INSTRUCTIONS.....	5
CARE AND MAINTENANCE.....	15

SAFETY INFORMATION AND SPECIFICATIONS



CAUTION: The top surface of this stand is designed for use with a product weighing no more than 95 lbs. (43.09 kg) and having a width that permits it to sit evenly on the stand with no more than a one-inch overhang on each side of the shelf. Use with products that weigh more than the maximum weight allowed, or with dimensions that extend beyond the maximum width may result in instability, which may result in injury.



CAUTION: This product contains small items that could be a choking hazard if swallowed.

Keep these items away from young children!

Model #: NS-MG1344

Maximum weight:

Top shelf: 95 lbs (43.09 kg)

Middle shelf: 40 lbs (18.14 kg)

Bottom shelf: 40 lbs (18.14 kg)

Maximum width: 1-inch overhang on each side of the top shelf

Overall dimensions (W × H × D):

44.5 × 21.88 × 19.25 in. (113 × 55.5 × 48.8 cm)

Top shelf (W × D): 44.5 × 15 in. (113 × 38.2 cm)

Middle shelf (W × D):

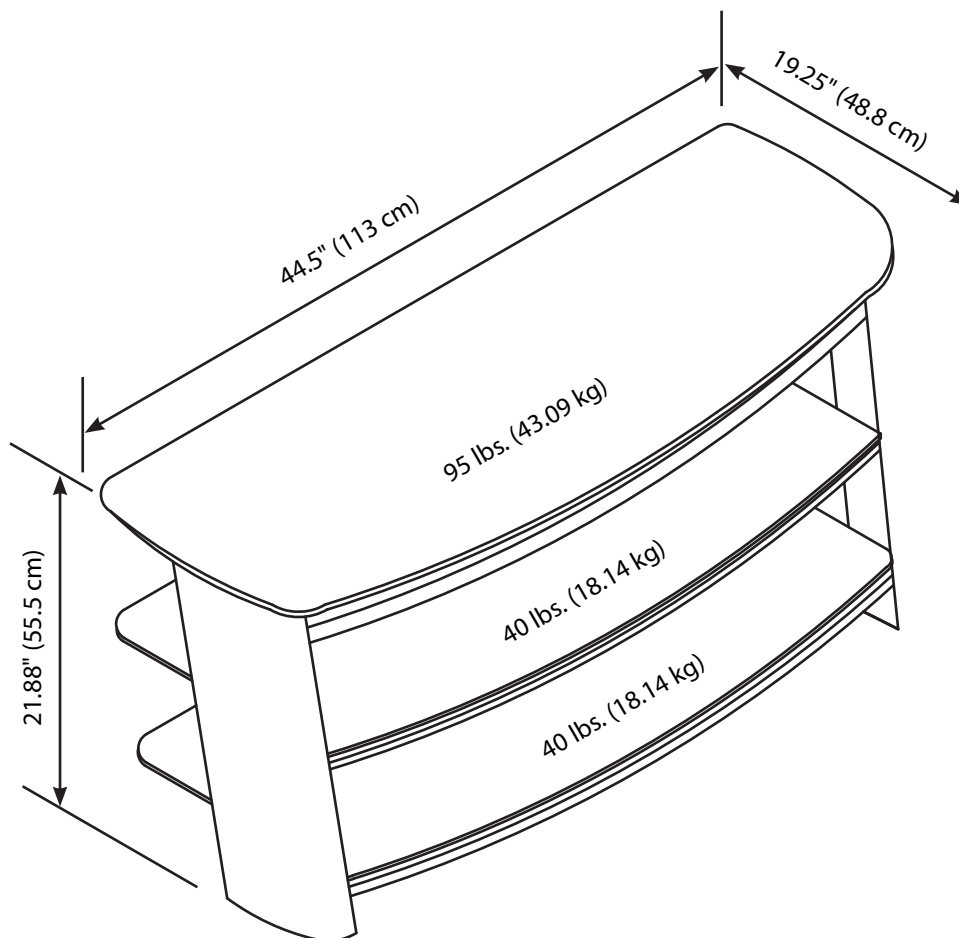
38.25 × 15.5 in. (97.2 × 39.5 cm)

Usable height: 7.25 in. (18.5 cm)

Bottom shelf (W × D):

38.25 × 17.5 in. (97.2 × 44.6 cm)

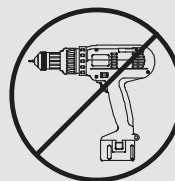
Usable height: 7.6 in. (19.4 cm)



Tools needed:

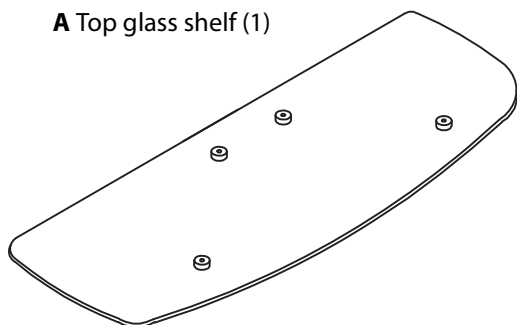


Phillips screwdriver

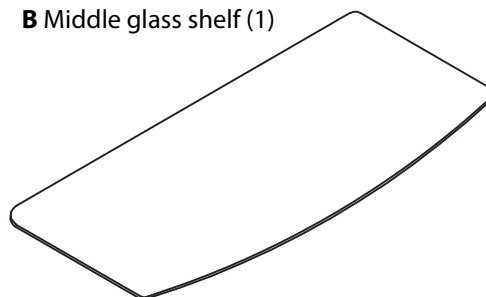


PACKAGE CONTENTS: PARTS

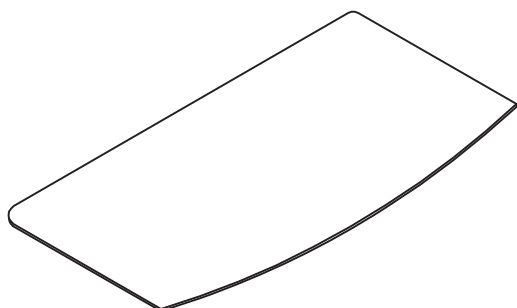
A Top glass shelf (1)



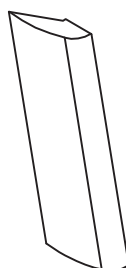
B Middle glass shelf (1)



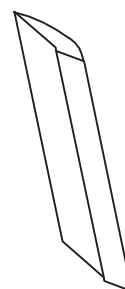
C Bottom glass shelf (1)



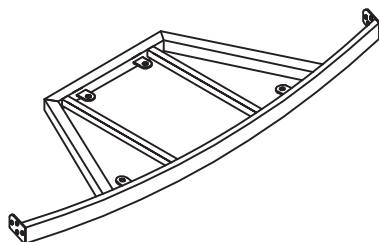
D Left front leg (1)



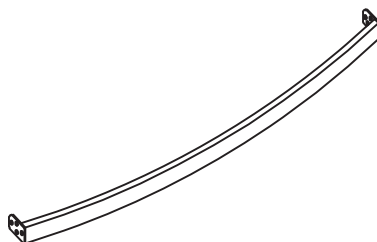
E Right front leg (1)



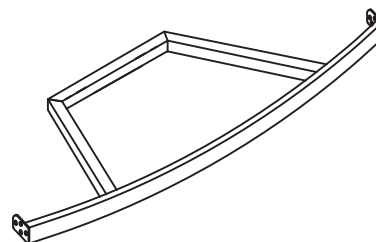
F Top frame (1)



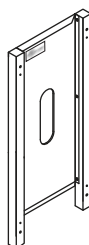
G Brace (1)



H Bottom frame (1)



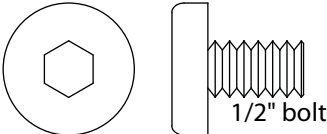
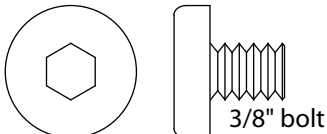
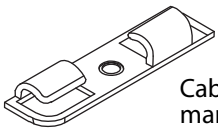
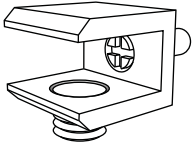

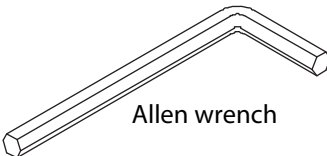
I Back panel (1)

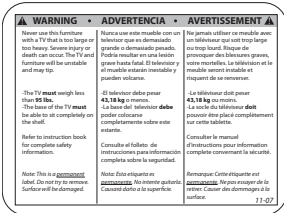
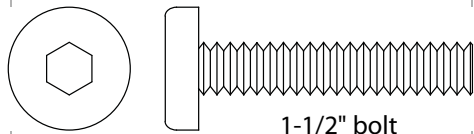
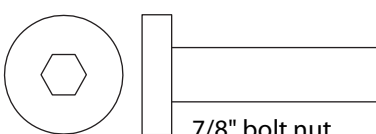
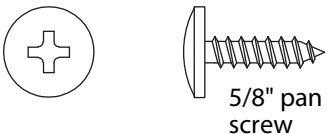


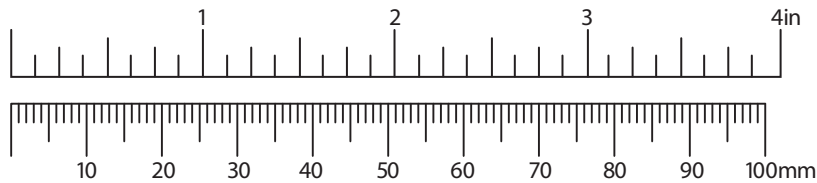
PACKAGE CONTENTS: HARDWARE

Note: You may receive extra hardware.

Make sure that you have all of the hardware necessary to assemble your new TV stand:

Label	Hardware	Qty.
J	 1/2" bolt	18
K	 3/8" bolt	4
L	 Cable management clip	2
M	 Glass clip	2
N	 Glass spacer	12
O	 Allen wrench	2

Label	Hardware	Qty.
P	 Warning label	1
Q	 1-1/2" bolt	4
R	 7/8" bolt nut	4
S	 5/8" pan head screw	2

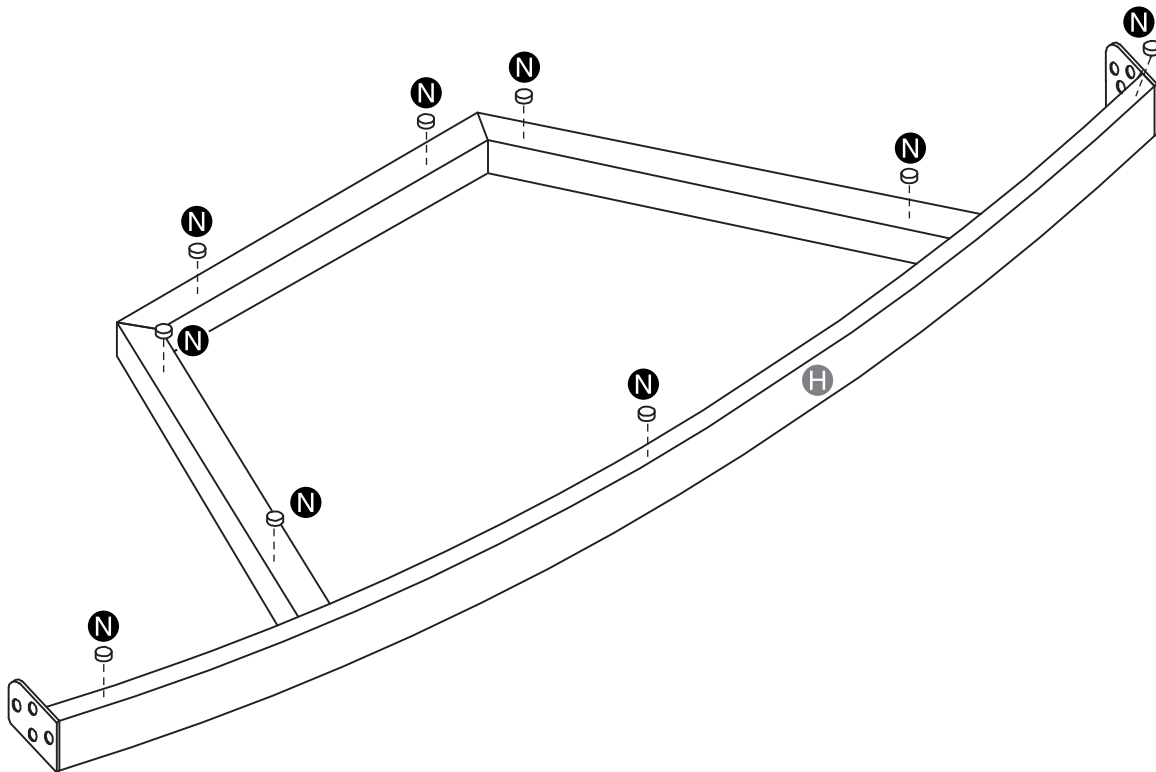


ASSEMBLY INSTRUCTIONS

Step 1: Prepare the frame.

Caution: Assemble your stand on a carpeted floor or the empty carton to avoid scratching your stand.

- Stick nine glass spacers (N) to the bottom frame (H).



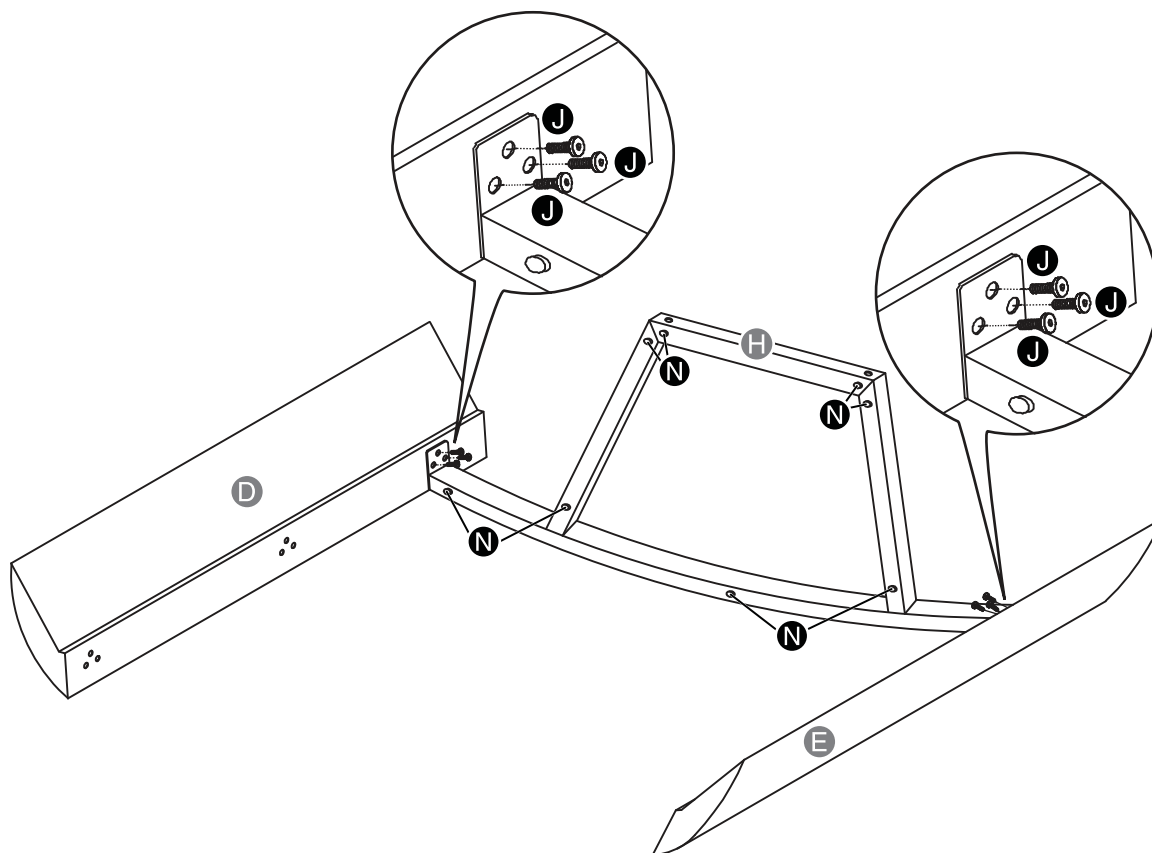
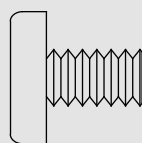
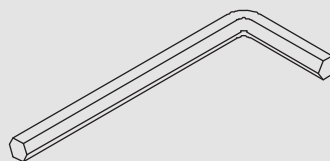
You'll need:



N (9)

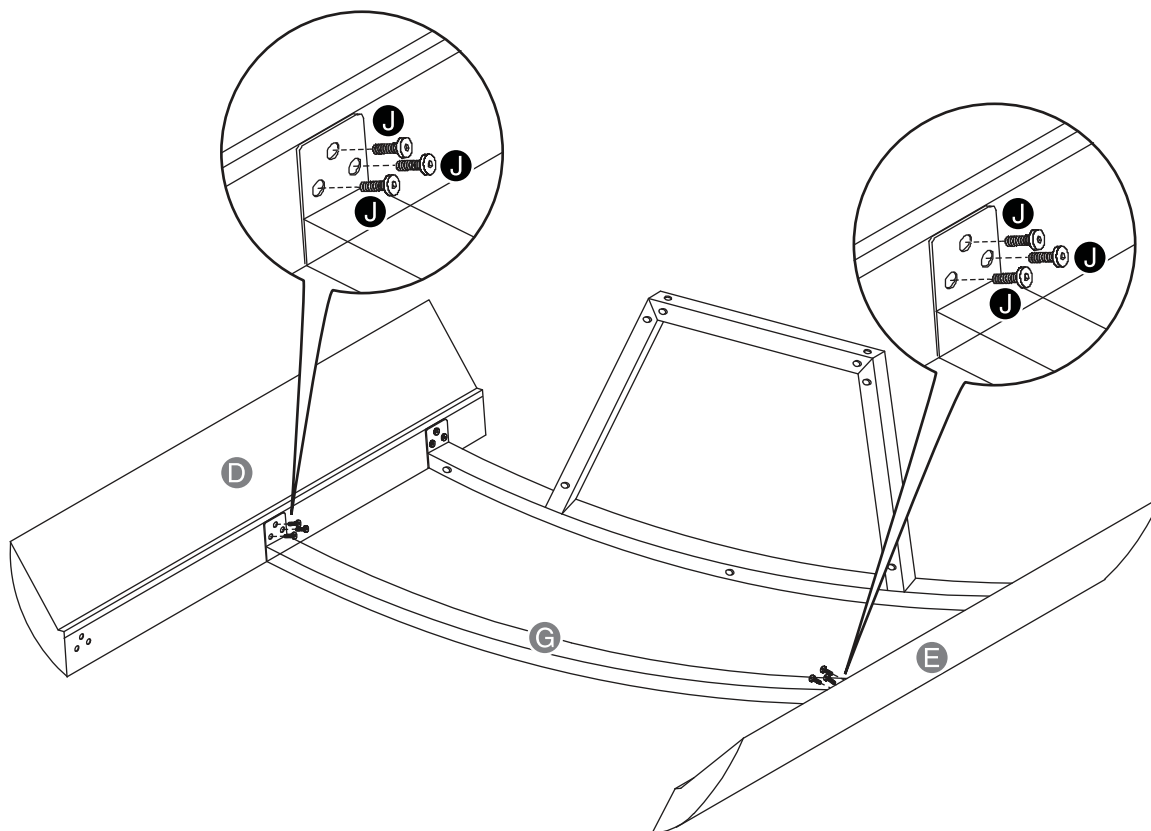
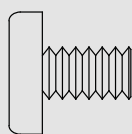
Step 2: Attach the bottom frame to the legs.

- Attach the bottom frame (H) to the front legs (D and E) using three 1/2" bolts (J) per leg. Make sure that the glass spacers (N) face toward the inside of the stand.

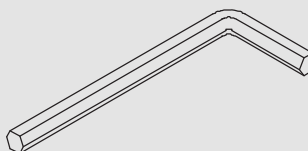
**You'll need:****J (6)****O (1)**

Step 3: Attach the brace.

- Attach the brace (G) to the front legs (D and E) using three 1/2" bolts (J) per leg.

**You'll need:**

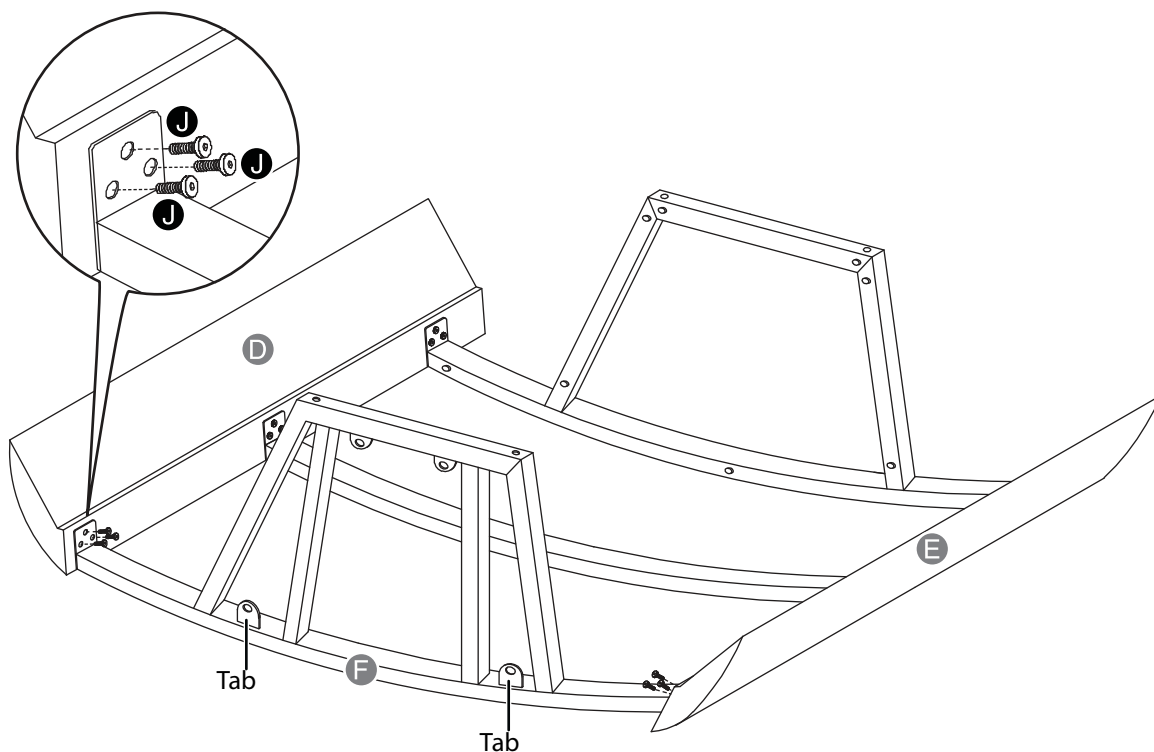
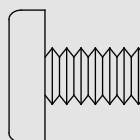
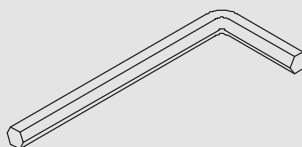
J (6)



O (1)

Step 4: Attach the top frame.

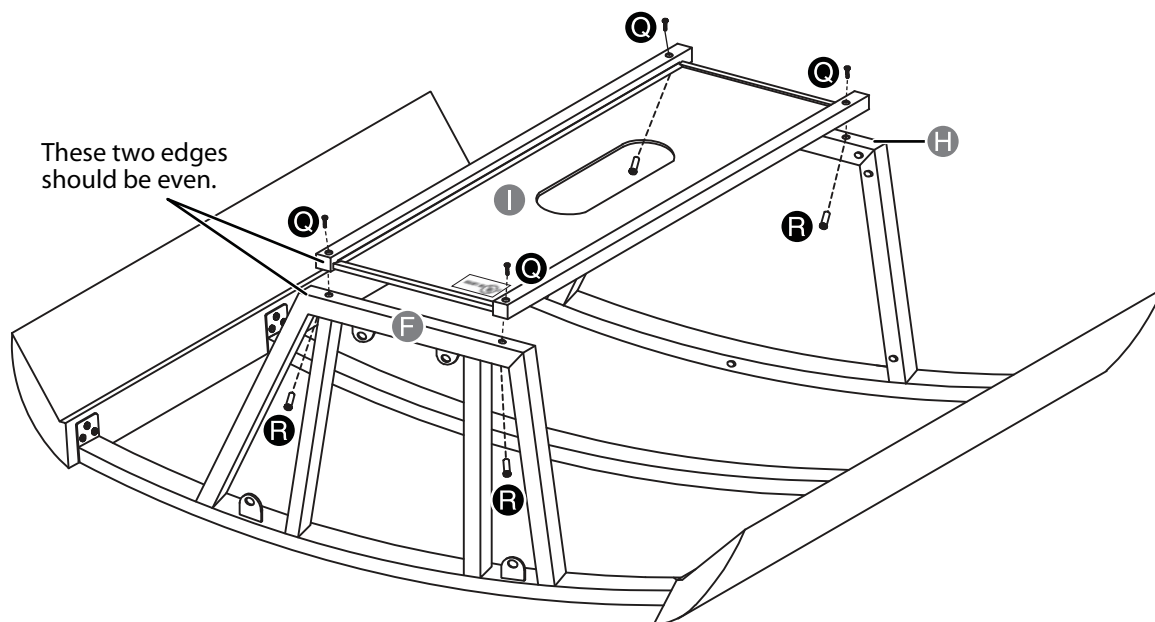
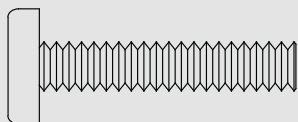
- Attach the top frame (F) to the front legs (D and E) using three 1/2" bolts (J) per leg. Make sure that the tabs on the top frame (F) are closer to the outside of your stand.

**You'll need:****J (6)****O (1)**

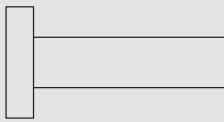
Step 5: Attach the back panel.

- Align the back panel (I) with the top frame (F), then attach the back panel to the top frame (F) and bottom frame (H) using four 1-1/2" bolts (Q) and four 7/8" bolt nuts (R).

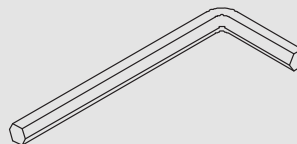
Note: Use one Allen wrench (O) to hold the 7/8" bolt nut (R) while you insert the 1-1/2" bolt (Q).

**You'll need:**

Q (4)



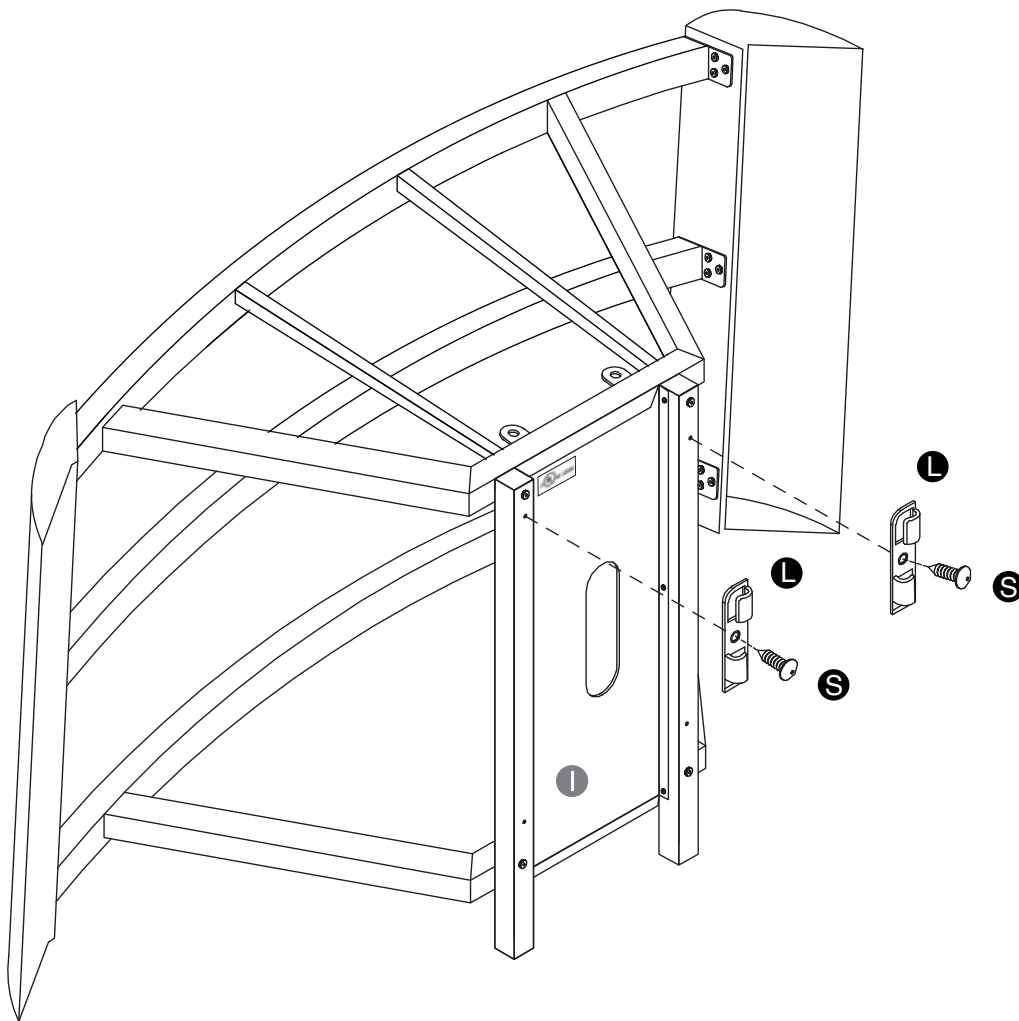
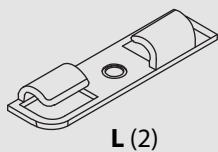
R (4)



O (2)

Step 6: Attach the cable management clips.

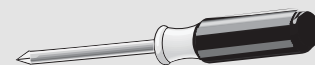
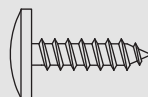
- Fasten the cable management clips (L) to the rear legs on the back panel (I). Use two 5/8" pan head screws (S).

**You'll need:**

L (2)



S (2)

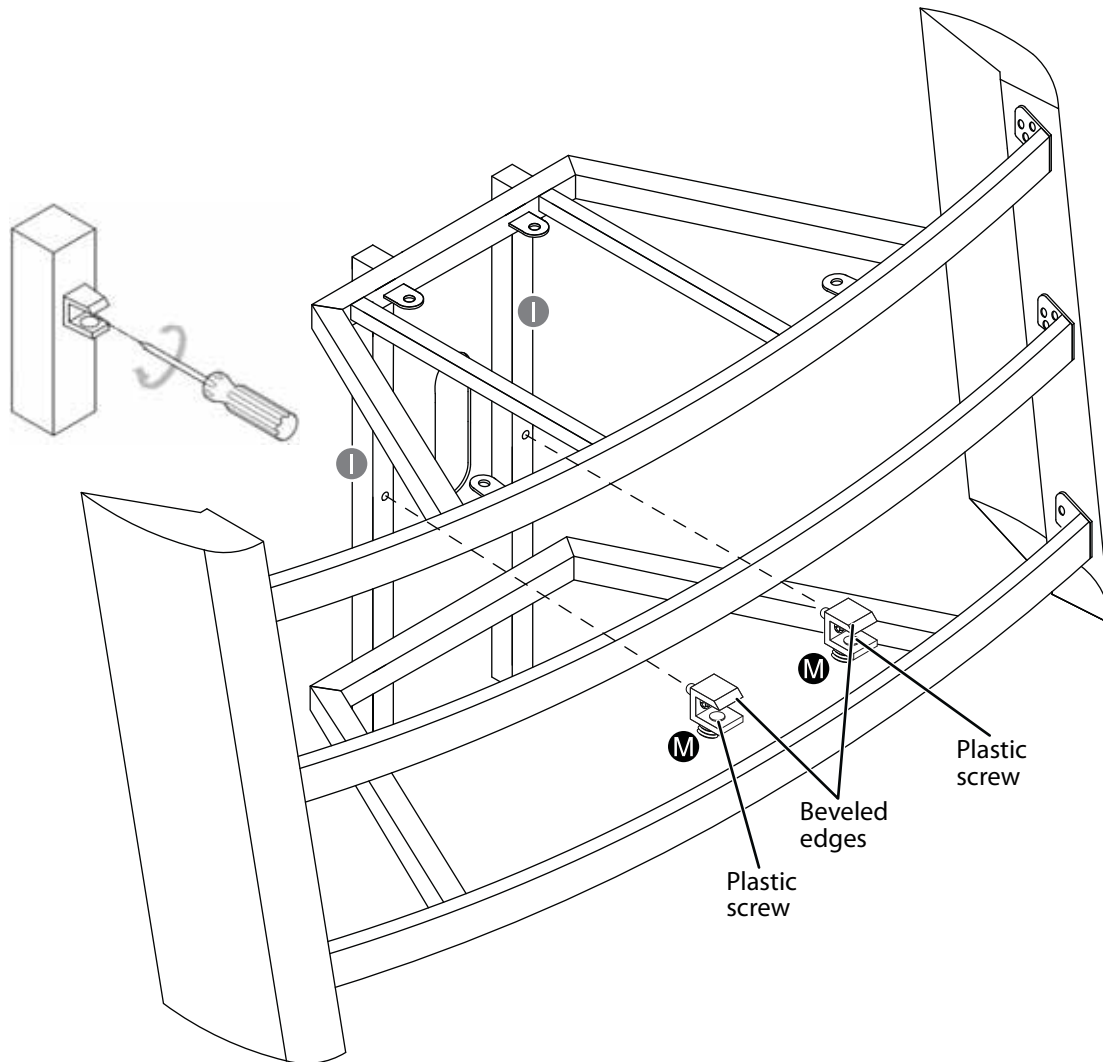
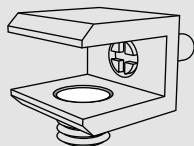
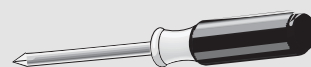


Phillips screwdriver

Step 7: Install the shelf clips.

- 1 Loosen the white plastic screws in the two glass clips (**M**) until the screws are almost all the way out of the clips.
- 2 Push the two glass clips (**M**) into the holes in the back panel (**I**). Make sure that the beveled edges of the glass clips face up and the plastic screws inside the clips face down.
- 3 Use a Phillips screwdriver to turn the screw inside each glass shelf clip (**M**) 90° clockwise to lock the clips to the legs.

Caution: Do not over tighten the glass shelf clip screws

**You'll need:****M (2)**

Phillips screwdriver

Step 8: Attach the glass top.

CAUTION: Tempered safety glass is used. It is stronger than normal glass, and it will not break into long, sharp, knife-like shards. However, safety glass can break. When safety glass breaks, it instantly fractures into small, bead-like pieces. These small pieces may have sharp edges.

For your safety, follow these precautions when you assemble your product:

Wear safety glasses or other eye protection.

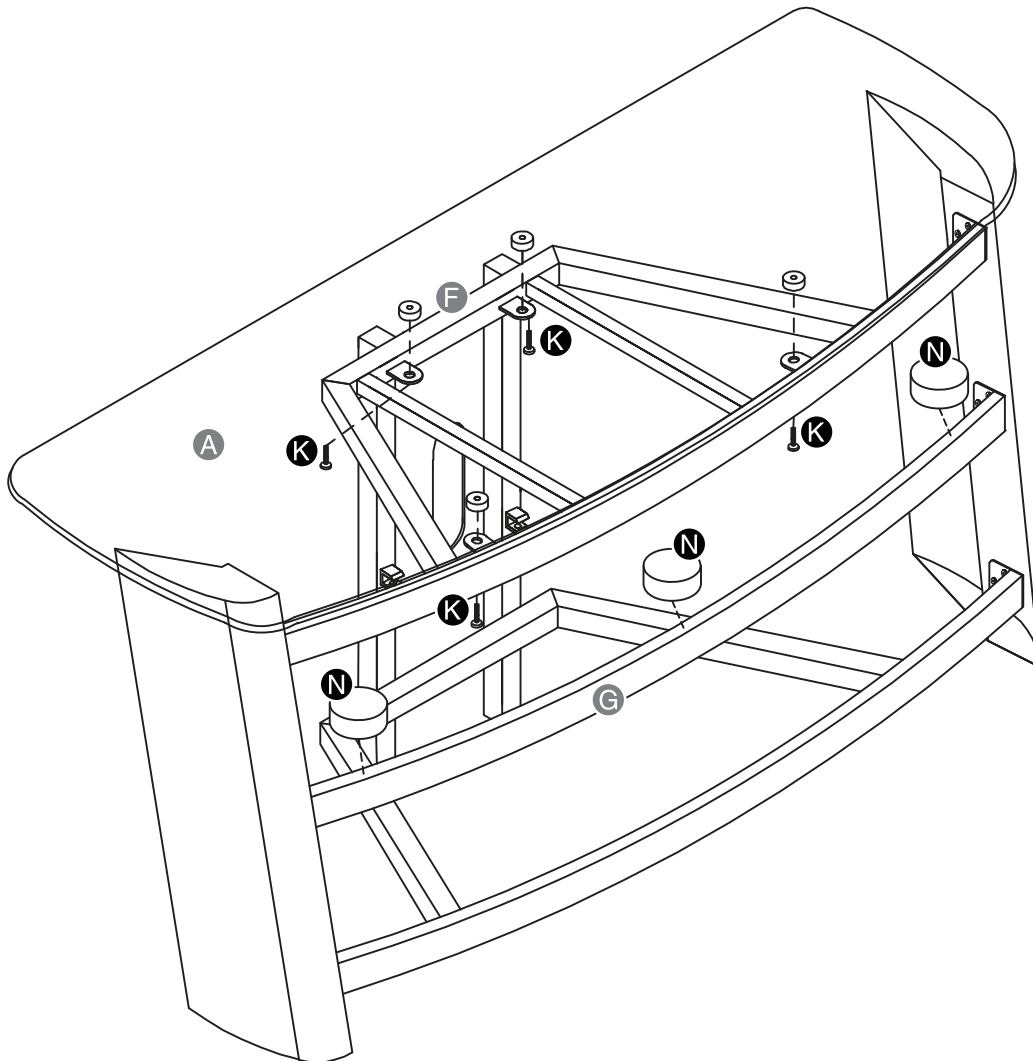
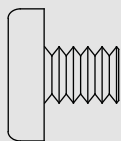
Do not try to drill into or cut safety glass. It will instantly break into small pieces.

Do not force the glass into position.

If the glass breaks, be careful when you pick up the pieces. They may have sharp edges.

Note: The curved edge of the glass shelf should face out.

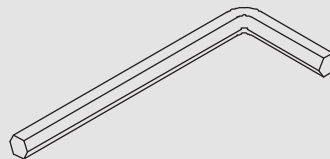
- 1 Attach the top glass shelf (A) to the top frame (F) using four 3/8" bolts (K).
- 2 Stick three glass spacers (N) onto the brace (G).

**You'll need:**

K (4)



N (3)

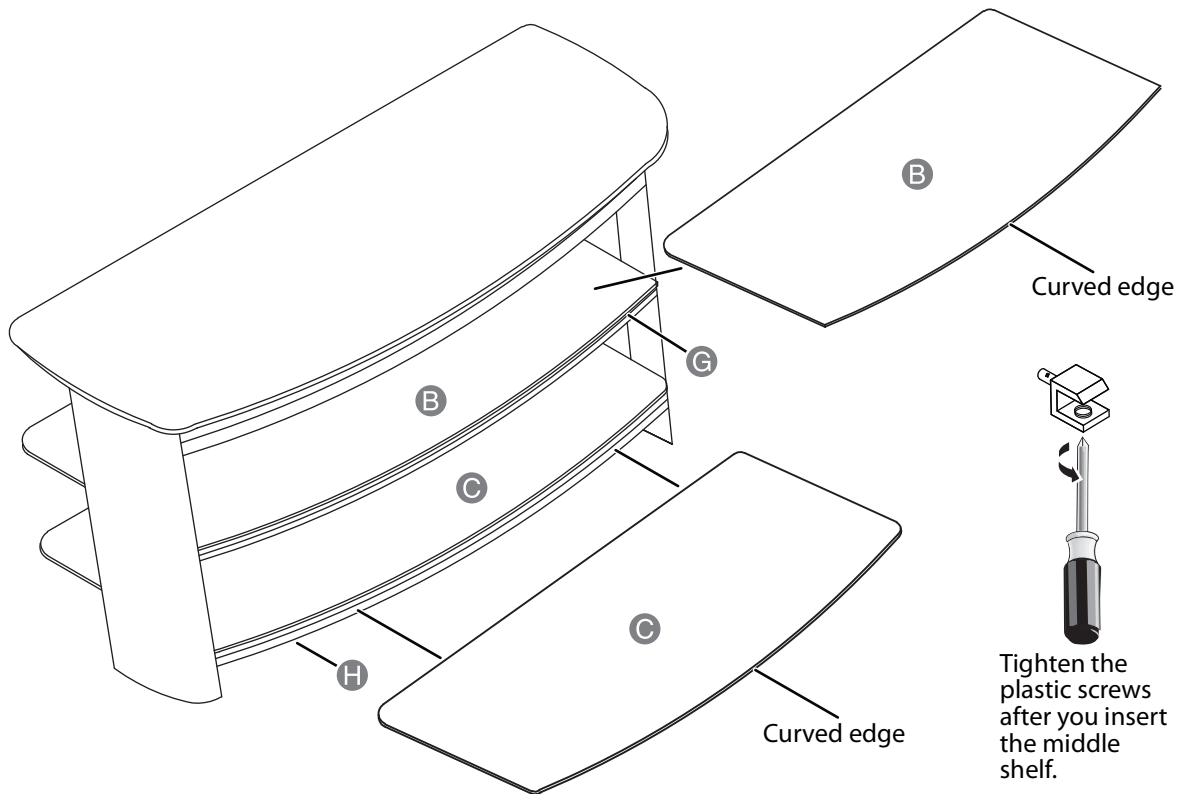
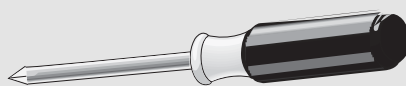


O (1)

Step 9: Install the middle and bottom shelves.

Note: The curved edges of the glass shelves should face out.

- 1 Carefully insert the middle glass shelf (B) into the two glass clips and onto the glass spacers on the brace (G), then tighten the plastic screws in the glass clips with a Phillips screwdriver.
- 2 Carefully place the bottom glass shelf (C) onto the glass spacers on the bottom frame (H).

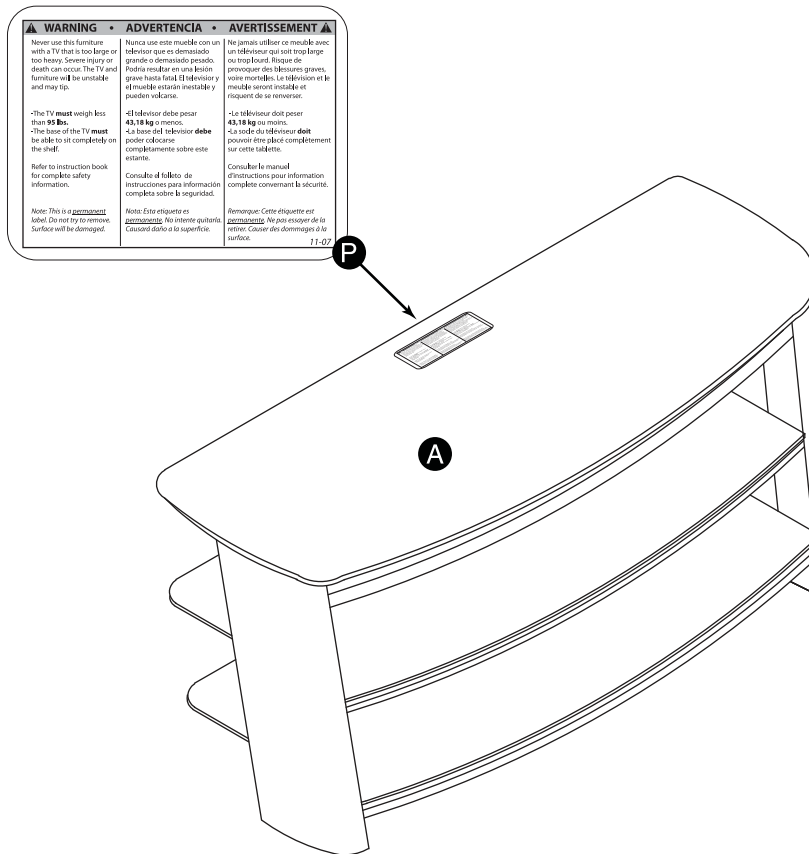
**You'll need:**

Phillips screwdriver

Step 10: Apply the warning label.

- Apply the warning label (P) to the top glass shelf (A) so that the TV will hide the label. Peel off the backing and apply the label as shown in the diagram.

Note: This is a permanent label intended to last for the life of the product. After you apply the label, do not try to remove it.



You'll need:

P (1)

CARE AND MAINTENANCE

Glass

- Use a commercial liquid glass cleaner and a soft cloth.
- Do not use harsh powders or any other abrasive substances as they will scratch the glass.



WARNING

Please use your furniture correctly and safely. Improper use can cause safety hazards or damage to your furniture or household items. *Carefully read the following chart.*

Look out for:	What can happen:	How to avoid the problem:
<ul style="list-style-type: none"> • Children climbing on furniture. • A child may try to reach a toy or other object by climbing on furniture. • Children will play and be active near the TV. 	<ul style="list-style-type: none"> • Risk of injury or death. • A child climbing on a piece of furniture can make it top-heavy and cause it to tip over. • A child playing with a TV can cause it to tip over. 	<ul style="list-style-type: none"> • Never allow children to climb on or play with furniture. • Do not place toys or food on the top shelves. Children may try to climb to reach them out of curiosity.
<ul style="list-style-type: none"> • Improper use of furniture to support TVs. • Furniture designed for use with TVs will specify the maximum weight rating and recommended size of the TVs it will safely support. 	<ul style="list-style-type: none"> • Risk of injury or death. • TVs can be very heavy. Plus the weight and location of the picture tube tends to make TVs unbalanced and prone to tipping forward. • Furniture items such as general-purpose utility carts, tables, or dressers may become unstable and tip if a TV is set on them. 	<ul style="list-style-type: none"> • A TV must only be set on furniture specifically designed to support a television. • Never use a TV that exceeds the weight ratings or size guidelines specified for the furniture.
<ul style="list-style-type: none"> • Overloaded shelves 	<ul style="list-style-type: none"> • Risk of injury. • Top-heavy furniture can tip over. • Overloaded shelves can break. 	<ul style="list-style-type: none"> • Never exceed the weight limits shown in the instructions. • Work from the bottom to the top when loading shelves.
<ul style="list-style-type: none"> • Improperly moving furniture that is not designed and equipped with casters. 	<ul style="list-style-type: none"> • Furniture can tip over or break if improperly moved. • Physical injury. Furniture can be very heavy. 	<ul style="list-style-type: none"> • Unload shelves from the top to the bottom before moving the furniture. • Do not push furniture, especially on a carpeted floor. Have a friend help you lift the item and set it in place. • Remove the TV before moving the TV stand.

ONE-YEAR LIMITED WARRANTY - INSIGNIA

Definitions:

The Distributor* of Insignia branded products warrants to you, the original purchaser of this new Insignia-branded product ("Product"), that the Product shall be free of defects in the original manufacturer of the material or workmanship for a period of one (1) year from the date of your purchase of the Product ("Warranty Period").

For this warranty to apply, your Product must be purchased in the United States or Canada from a Best Buy branded or Future Shop branded retail store or online at www.bestbuy.com, www.bestbuy.ca, or www.futureshop.ca and is packaged with this warranty statement.

How long does the coverage last?

The Warranty Period lasts for 1 year (365 days) from the date you purchased the Product. Your purchase date is printed on the receipt you received with the Product.

What does this warranty cover?

During the Warranty Period, if the original manufacture of the material or workmanship of the Product is determined to be defective by an authorized Insignia repair center or store personnel, Insignia will (at its sole option): (1) repair the Product with new or rebuilt parts; or (2) replace the Product at no charge with new or rebuilt comparable products or parts. Products and parts replaced under this warranty become the property of Insignia and are not returned to you. If service of Products or parts are required after the Warranty Period expires, you must pay all labor and parts charges. This warranty lasts as long as you own your Insignia Product during the Warranty Period. Warranty coverage terminates if you sell or otherwise transfer the Product.

How to obtain warranty service?

If you purchased the Product at a Best Buy or Future Shop retail store location, please take your original receipt and the Product to any Best Buy or Future Shop store. Make sure that you place the Product in its original packaging or packaging that provides the same amount of protection as the original packaging. If you purchased the Product from a Best Buy or Future Shop online web site (www.bestbuy.com, www.bestbuy.ca, or www.futureshop.ca), mail your original receipt and the Product to the address listed on the web site. Make sure that you put the Product in its original packaging or packaging that provides the same amount of protection as the original packaging.

To obtain warranty service, in the United States call 1-888-BESTBUY, Canada call 1-866-BESTBUY for Future Shop call 1-800-663-2275. Call agents may diagnose and correct the issue over the phone.

Where is the warranty valid?

This warranty is valid only in the United States and Canada at Best Buy or Future Shop branded retail stores or websites to the original purchaser of the product in the county where the original purchase was made.

What does the warranty not cover?

This warranty does not cover:

- Customer instruction/education
- Installation
- Set up adjustments
- Cosmetic damage
- Damage due to weather, lightning, and other acts of God, such as power surges
- Accidental damage
- Misuse
- Abuse
- Negligence
- Commercial purposes/use, including but not limited to use in a place of business or in communal areas of a multiple dwelling condominium or apartment complex, or otherwise used in a place of other than a private home.

- Modification of any part of the Product, including the antenna
- Display panel damaged by static (non-moving) images applied for lengthy periods (burn-in).
- Damage due to incorrect operation or maintenance
- Connection to an incorrect voltage or power supply
- Attempted repair by any person not authorized by Insignia to service the Product
- Products sold "as is" or "with all faults"
- Consumables, including but not limited to batteries (i.e. AA, AAA, C etc.)
- Products where the factory applied serial number has been altered or removed
- Loss or Theft of this product or any part of the product
- Display panels containing up to three (3) pixel failures (dots that are dark or incorrectly illuminated) grouped in an area smaller than one tenth (1/10) of the display size or up to five (5) pixel failures throughout the display. (Pixel based displays may contain a limited number of pixels that may not function normally.)
- Failures or Damage caused by any contact including but not limited to liquids, gels or pastes.

REPAIR REPLACEMENT AS PROVIDED UNDER THIS WARRANTY IS YOUR EXCLUSIVE REMEDY FOR BREACH OF WARRANTY. INSIGNIA SHALL NOT BE LIABLE FOR ANY INCIDENTAL OR CONSEQUENTIAL DAMAGES FOR THE BREACH OF ANY EXPRESS OR IMPLIED WARRANTY ON THIS PRODUCT, INCLUDING, BUT NOT LIMITED TO, LOST DATA, LOSS OF USE OF YOUR PRODUCT, LOST BUSINESS OR LOST PROFITS. INSIGNIA PRODUCTS MAKES NO OTHER EXPRESS WARRANTIES WITH RESPECT TO THE PRODUCT, ALL EXPRESS AND IMPLIED WARRANTIES FOR THE PRODUCT, INCLUDING, BUT NOT LIMITED TO, ANY IMPLIED WARRANTIES OF AND CONDITIONS OF MERCHANTABILITY AND FITNESS FOR A PARTICULAR PURPOSE, ARE LIMITED IN DURATION TO THE WARRANTY PERIOD SET FORTH ABOVE AND NO WARRANTIES, WHETHER EXPRESS OR IMPLIED, WILL APPLY AFTER THE WARRANTY PERIOD. SOME STATES, PROVINCES AND JURISDICTIONS DO NOT ALLOW LIMITATIONS ON HOW LONG AN IMPLIED WARRANTY LASTS, SO THE ABOVE LIMITATION MAY NOT APPLY TO YOU. THIS WARRANTY GIVES YOU SPECIFIC LEGAL RIGHTS, AND YOU MAY ALSO HAVE OTHER RIGHTS, WHICH VARY FROM STATE TO STATE OR PROVINCE TO PROVINCE.

Contact Insignia:

For customer service please call 1-877-467-4289
www.insigniaproducts.com

INSIGNIA is a trademark of Best Buy and its affiliated companies.

Registered in some countries.

Distributed by Best Buy Purchasing, LLC

7601 Penn Ave South, Richfield, MN 55423 U.S.A.

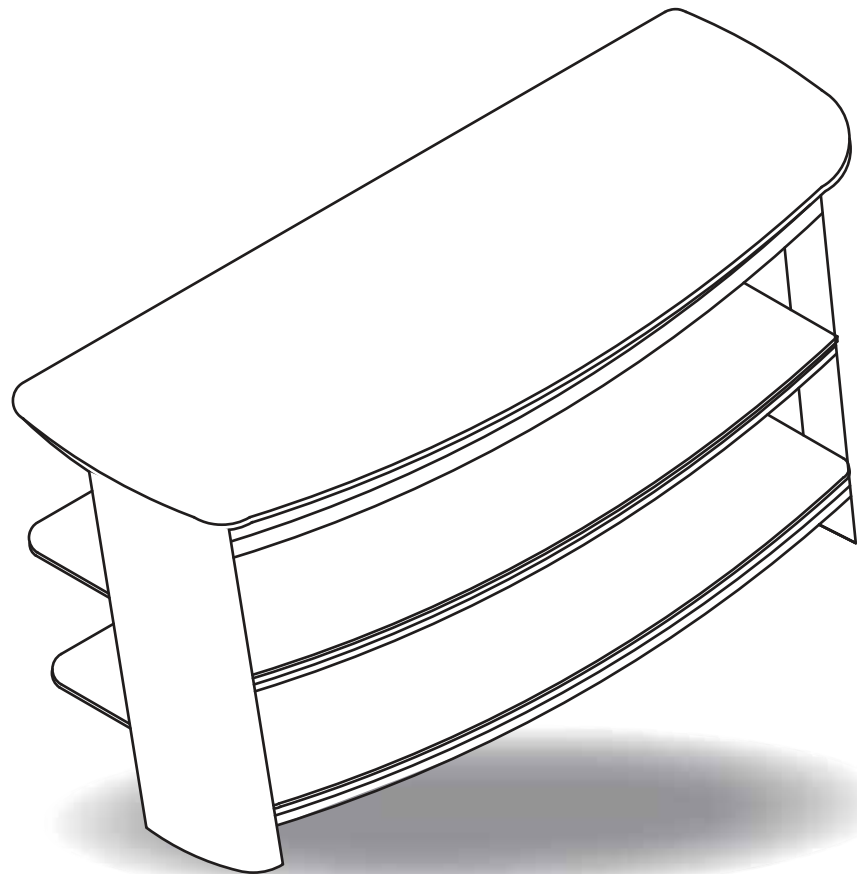
©2015 Best Buy. All rights reserved.

Made in China

INSIGNIA™

Base Para TV de Madera Negra y Vidrio con Acabado Brillante

NS-MG1344



INFORMACIÓN DE SEGURIDAD Y ESPECIFICACIONES	20
CONTENIDO DE LA CAJA: ELEMENTOS	21
CONTENIDO DE LA CAJA: FERRETERÍA.....	22
INSTRUCCIONES DE MONTAJE	23
CUIDADO Y MANTENIMIENTO.....	33

INFORMACIÓN DE SEGURIDAD Y ESPECIFICACIONES



Advertencia: esta base está diseñada para uso únicamente con los productos de un peso máximo de 95 lb (43.09 kg) y teniendo un ancho que le permita asentarse de manera uniforme con un saliente no mayor de una pulgada a cada lado de la repisa superior. El uso con otros productos o con productos que pesen más de lo especificado, puede crear inestabilidad y causar posibles lesiones.

Advertencias: este producto contiene piezas pequeñas que representan un peligro de asfixia si se tragan.

¡Mantenga estas piezas alejadas de los niños!

No levante la base por las repisas de vidrio. Consulte las instrucciones para información más detallada.

N.º de modelo: NS-MG1344

Peso máximo:

Repisa superior: 95 lb (43.09 kg)

Repisa de en medio: 40 lb (18.14 kg)

Repisa inferior: 40 lb (18.14 kg)

Ancho máximo: saliente de 1 pulg. a cada lado de la repisa superior

Dimensiones globales

(Ancho × Alto × Profundidad):

44.5 × 21.88 × 19.25 pulg. (113 × 55.5 × 48.8 cm)

Repisa superior (Ancho × Profundidad):

44.5 × 15 pulg. (113 × 38.2 cm)

Repisa de en medio (Ancho × Profundidad):

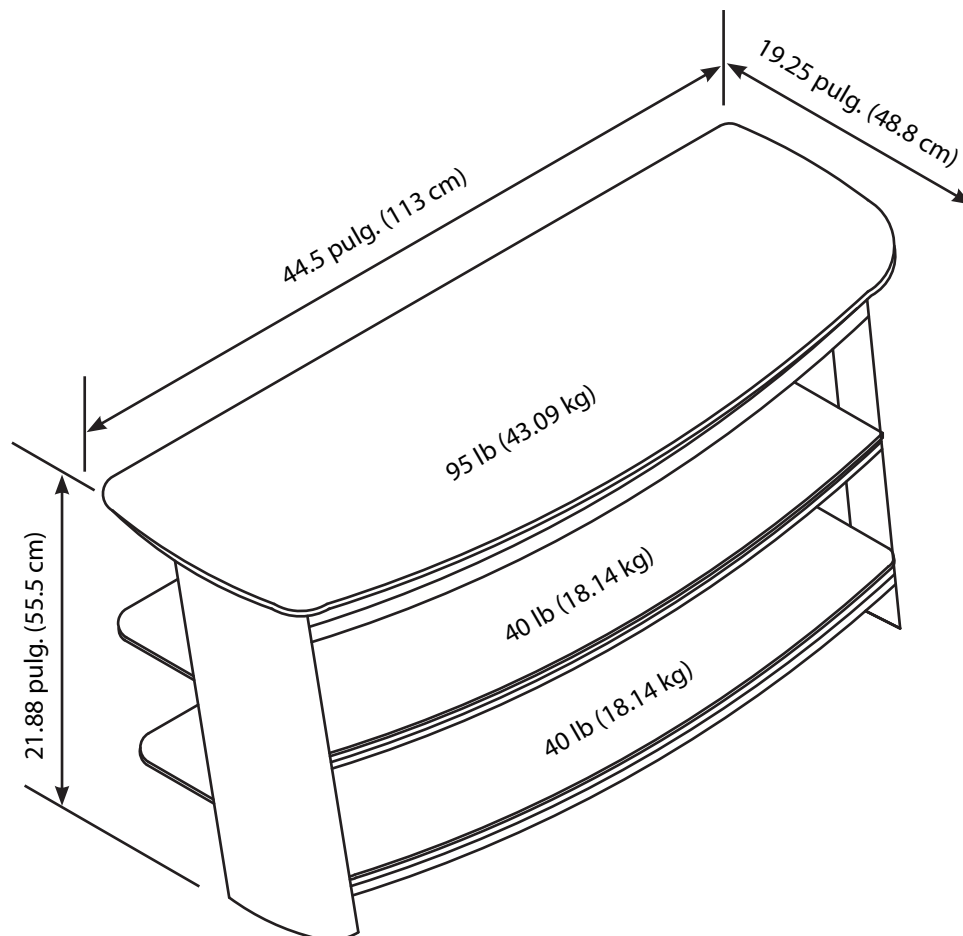
38.25 × 15.5 pulg. (97.2 × 39.5 cm)

Altura útil: 7.25 pulg. (18.5 cm)

Repisa inferior (Ancho × Profundidad):

38.25 × 17.5 pulg. (97.2 × 44.6 cm)

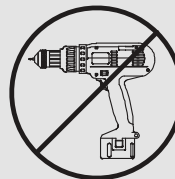
Altura útil: 7.6 pulg. (19.4 cm)



Herramientas requeridas:

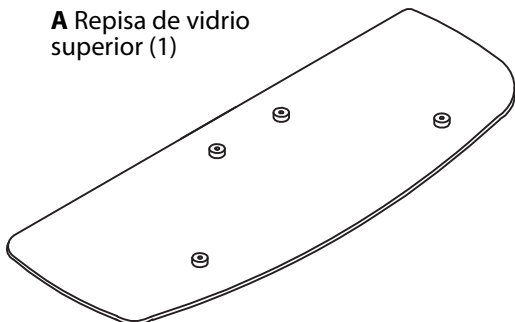


Destornillador Phillips

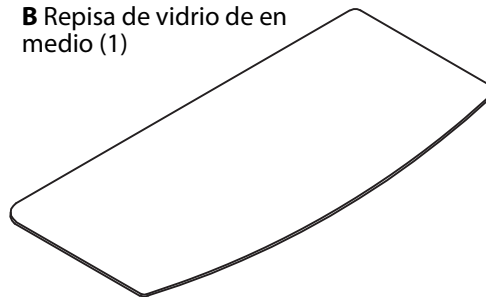


CONTENIDO DE LA CAJA: ELEMENTOS

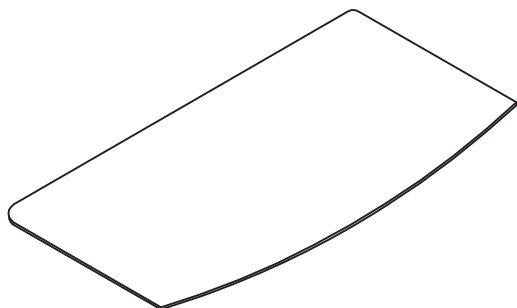
A Repisa de vidrio superior (1)



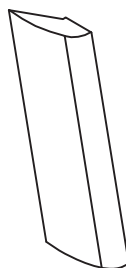
B Repisa de vidrio de en medio (1)



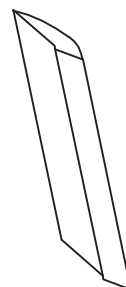
C Repisa de vidrio inferior (1)



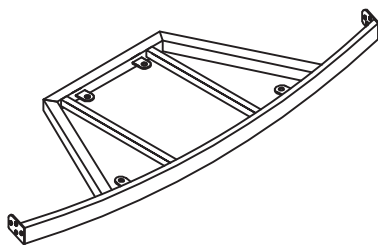
D Pata frontal izquierda (1)



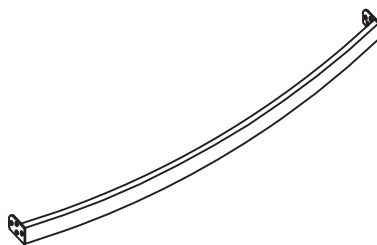
E Pata frontal derecha (1)



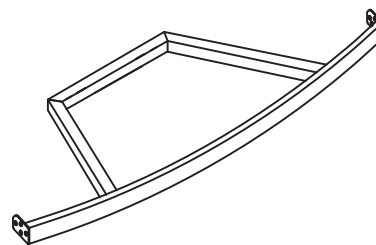
F Armazón superior (1)



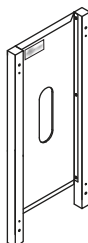
G Barra de soporte (1)



H Armazón inferior (1)



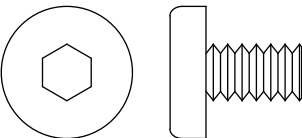
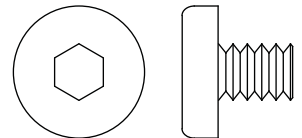

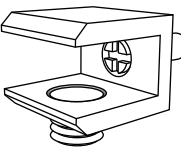

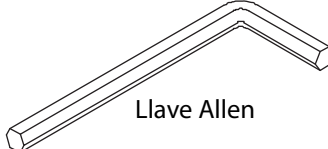
I Panel posterior (1)

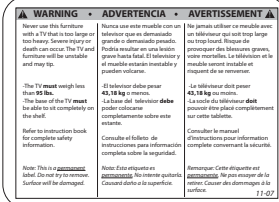
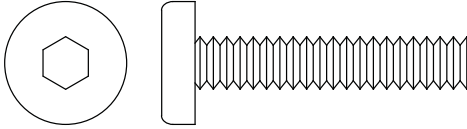
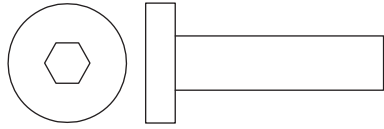



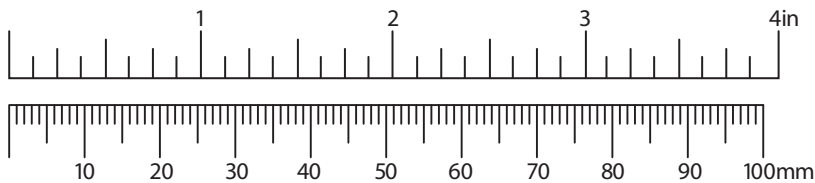
CONTENIDO DE LA CAJA: FERRETERÍA

Nota: puede ser que reciba ferretería extra.

Asegúrese de que tenga todos los herrajes necesarios para instalar su base nueva para el televisor:

Etiqueta	Ferretería	Cantidad
J	 Tornillo de 1/2 pulg.	18
K	 Tornillo de 3/8 pulg.	4
L	 Clip para organización de cables	2
M	 Clip para vidrio	2
N	 Espaciador para vidrio	12
O	 Llave Allen	2

Etiqueta	Ferretería	Cantidad
P	 Etiqueta de advertencia	1
Q	 Tornillo de 1 1/2 pulg.	4
R	 Tuerca de tornillo de 7/8 pulg.	4
S	 Tornillo de cabeza frezada de 5/8 pulg.	2

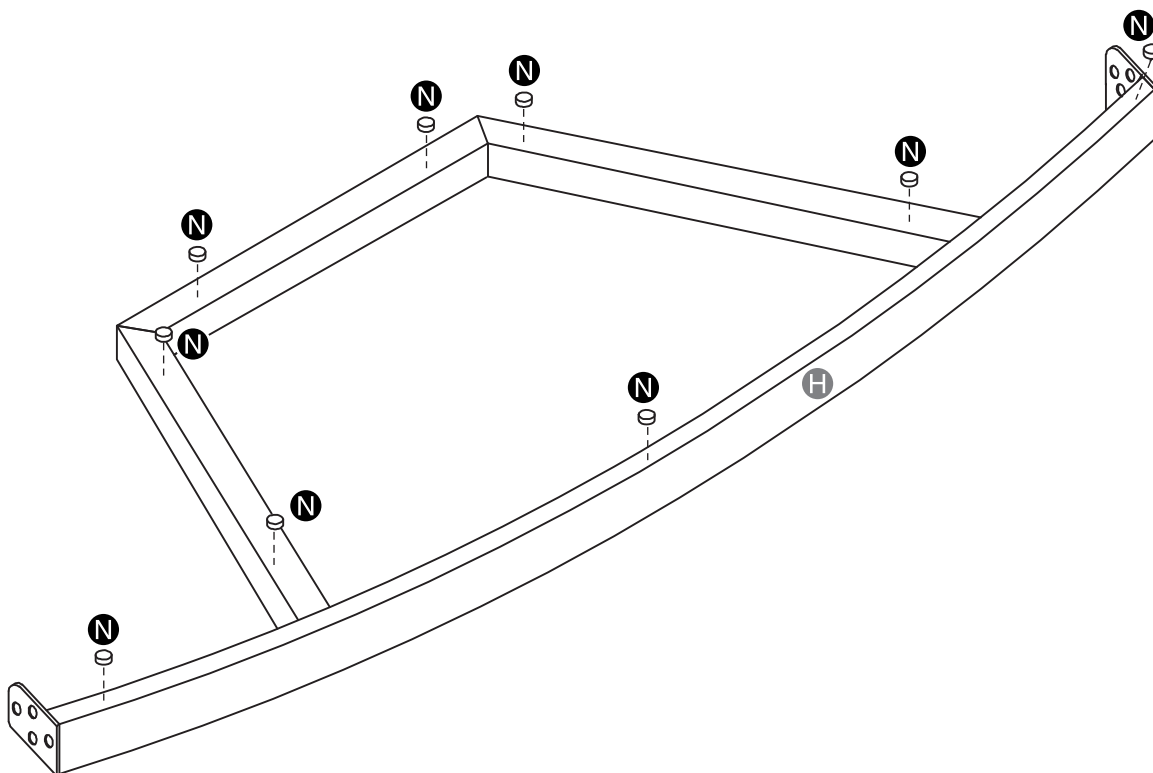


INSTRUCCIONES DE MONTAJE

Paso 1: Preparación del armazón

Cuidado: ensamble la base sobre una alfombra o sobre el cartón vacío para evitar ralladuras en la base.

- Coloque nueve espaciadores para vidrio (**N**) en el armazón inferior (**H**).



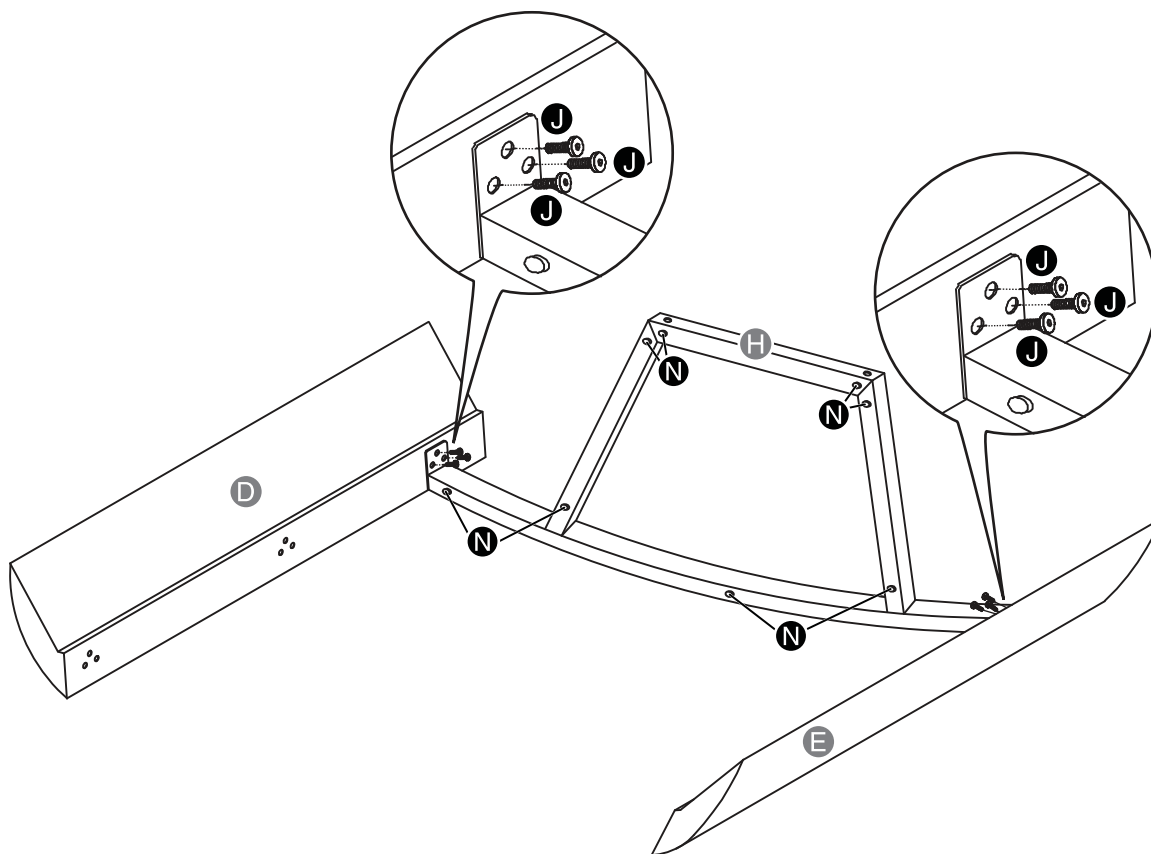
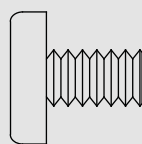
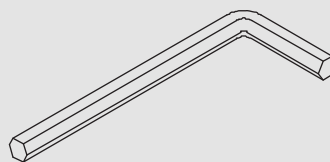
Necesitará:



N (9)

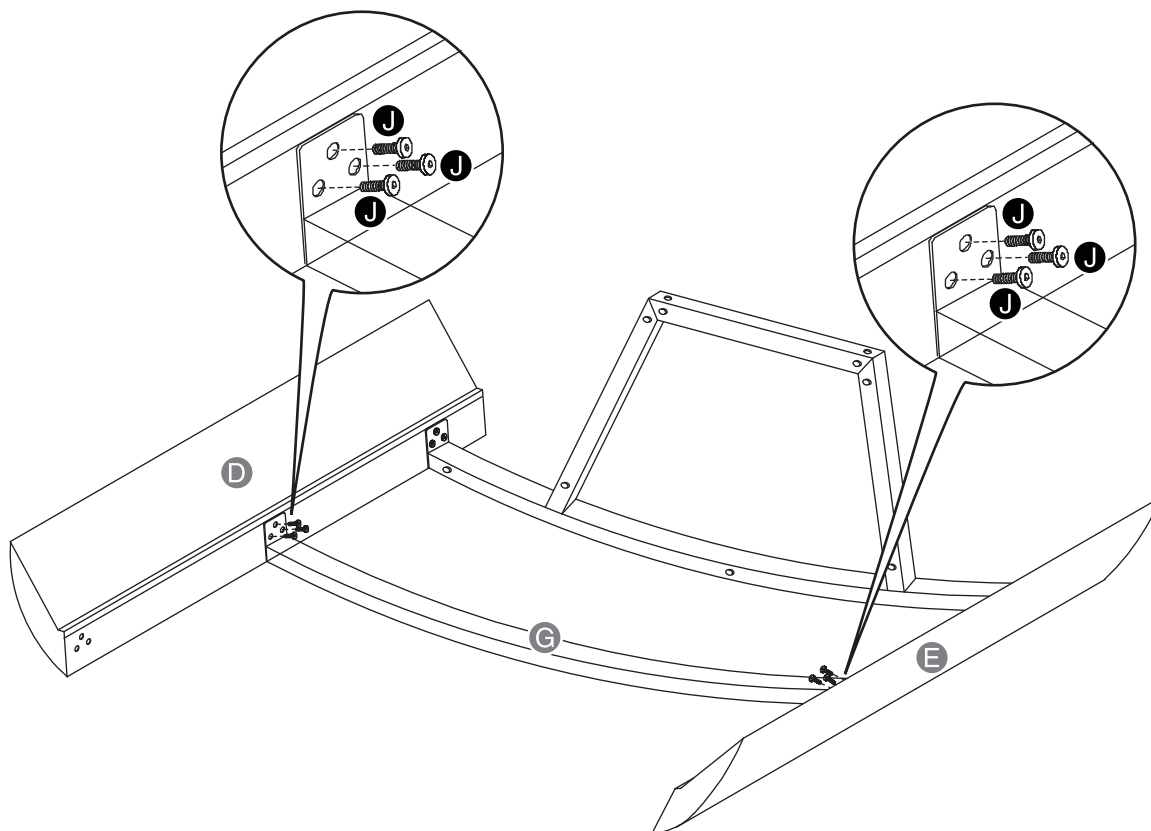
Paso 2: Ponga la parte inferior del armazón a las patas

- Fije el armazón inferior (**H**) a las patas frontales (**D** y **E**) usando tres tornillos de 1/2 pulg. (**J**) por pata. Asegúrese de que los espaciadores para vidrio (**N**) miren hacia el interior de la base.

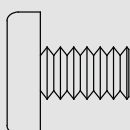
**Necesitará:****J (6)****O (1)**

Paso 3: Montaje de la abrazadera

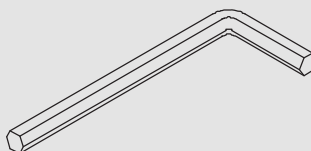
- Fije la barra de soporte (G) a las patas posteriores (D y E) usando tres tornillos de 1/2 pulg. (J) por pata.



Necesitará:



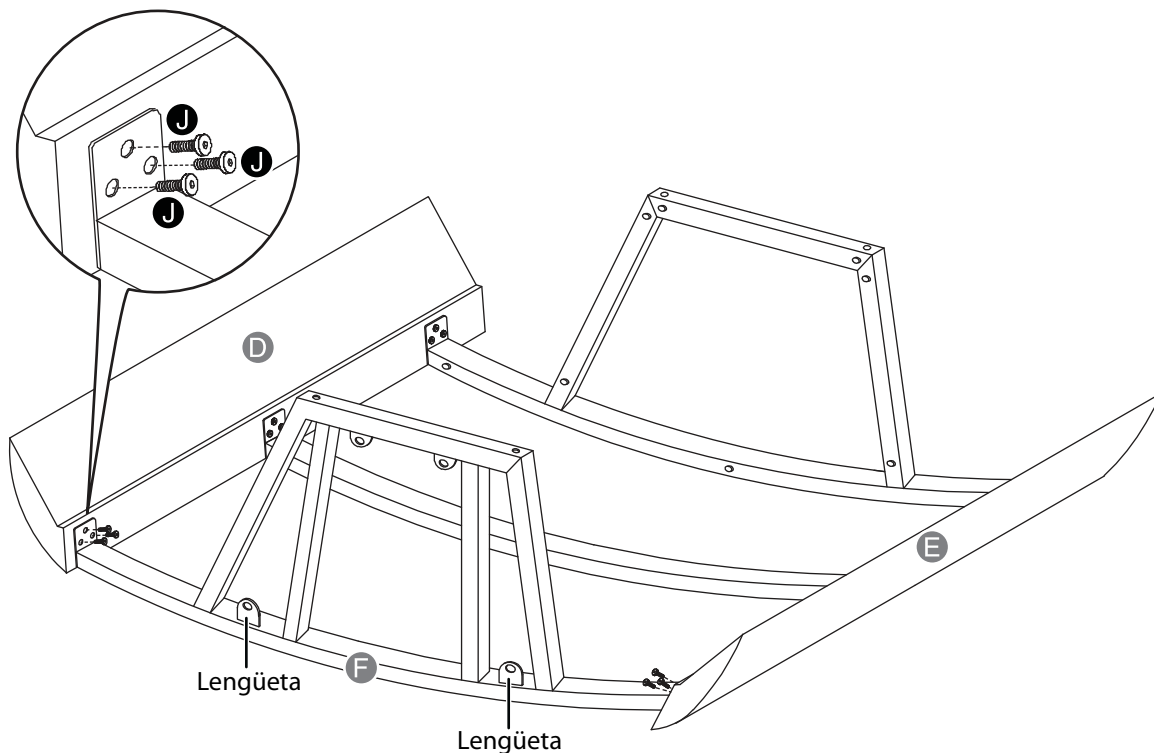
J (6)



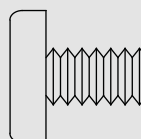
O (1)

Paso 4: Instalación del armazón superior

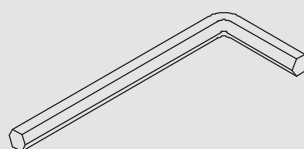
- Fije el armazón superior (G) a las patas posteriores (D y E) usando tres tornillos de 1/2 pulg. (J) por pata. Asegúrese de que las pestañas en el armazón superior (F) están más cerca de la parte exterior de la base.



Necesitará:



J (6)

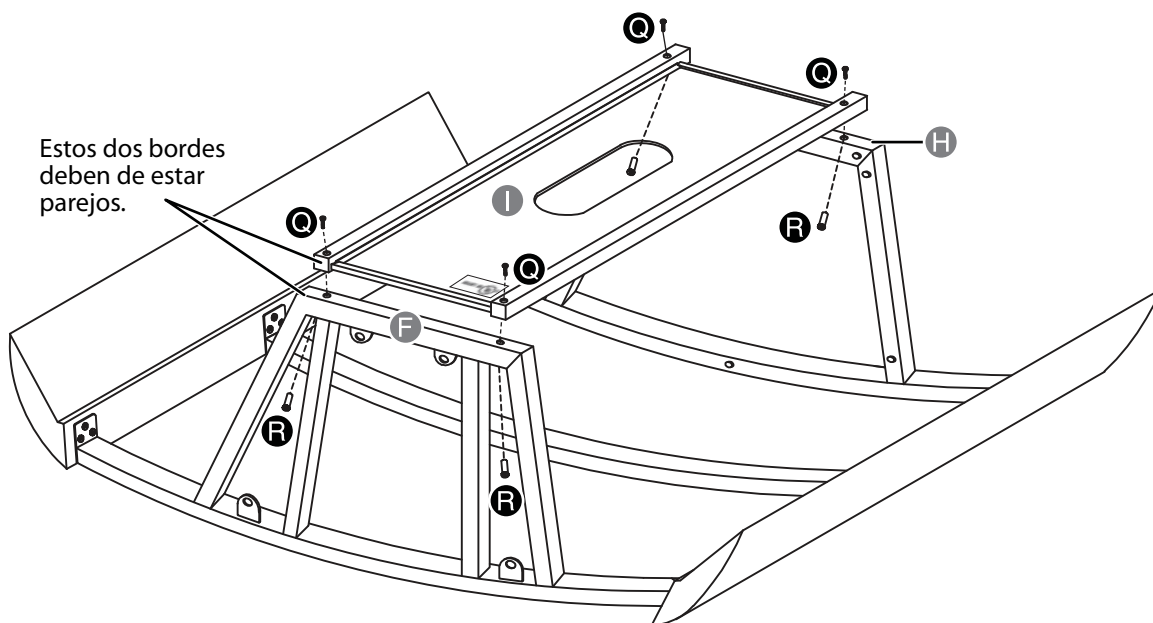


O (1)

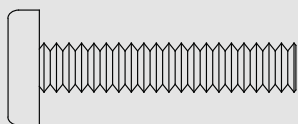
Paso 5: Instalación del panel posterior

- Alinee el panel posterior (I) con el armazón superior (F), luego fije el panel posterior al armazón superior (F) y al armazón inferior (H) usando cuatro tornillos de 1-1/2 pulg. (Q) y cuatro tuercas de tornillo de 7/8 pulg. (R).

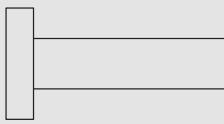
Nota: use una llave Allen (O) para sujetar la turca para tornillo de 7/8 pulg. (R) mientras inserta el tornillo de 1-1/2 pulg. (Q).



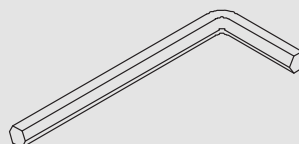
Necesitará:



Q (4)



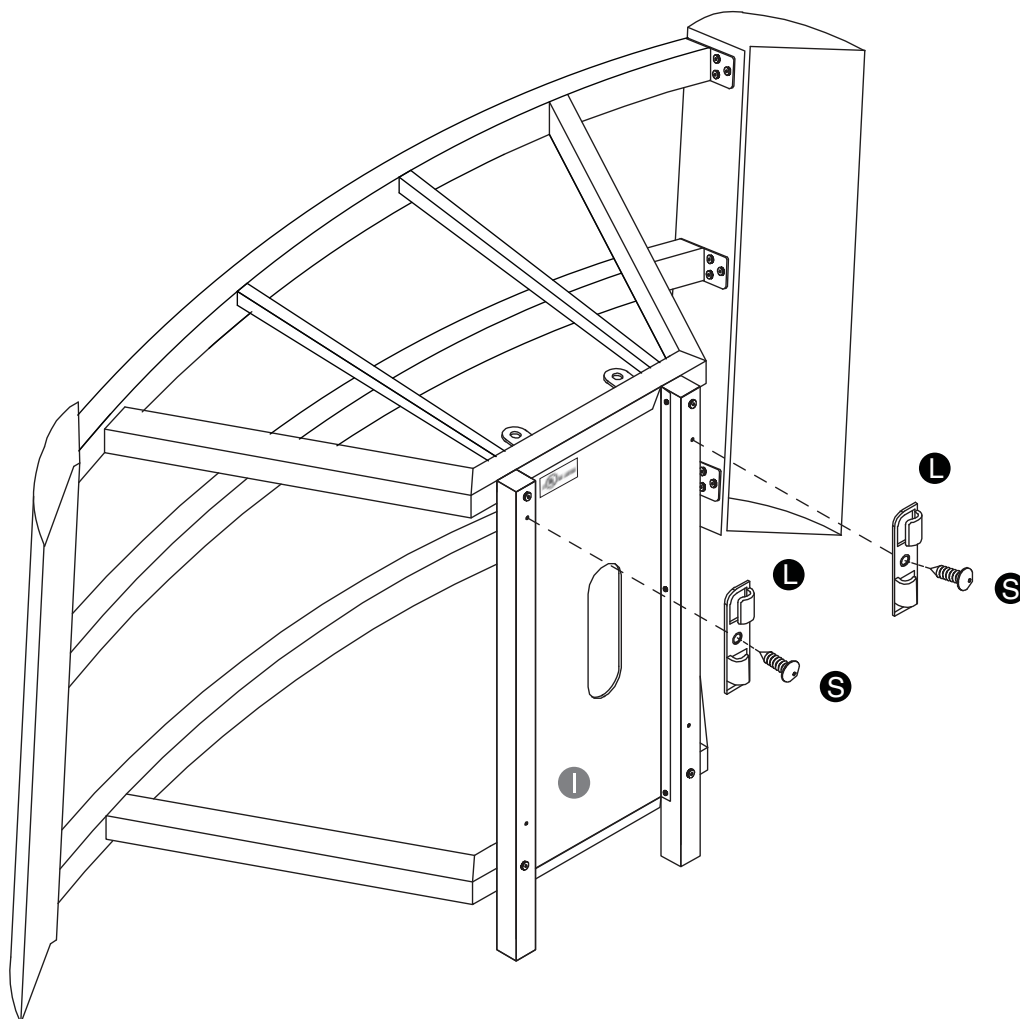
R (4)



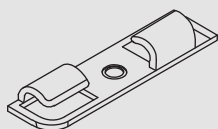
O (2)

Paso 6: Instalación del clip de organización de cables

- Apriete los ganchos para organizar los cables (L) a las patas posteriores. Use dos tornillos de cabeza frezada de 5/8 pulg. (S).



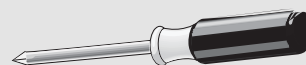
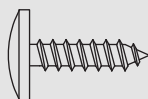
Necesitará:



L (2)



S (2)

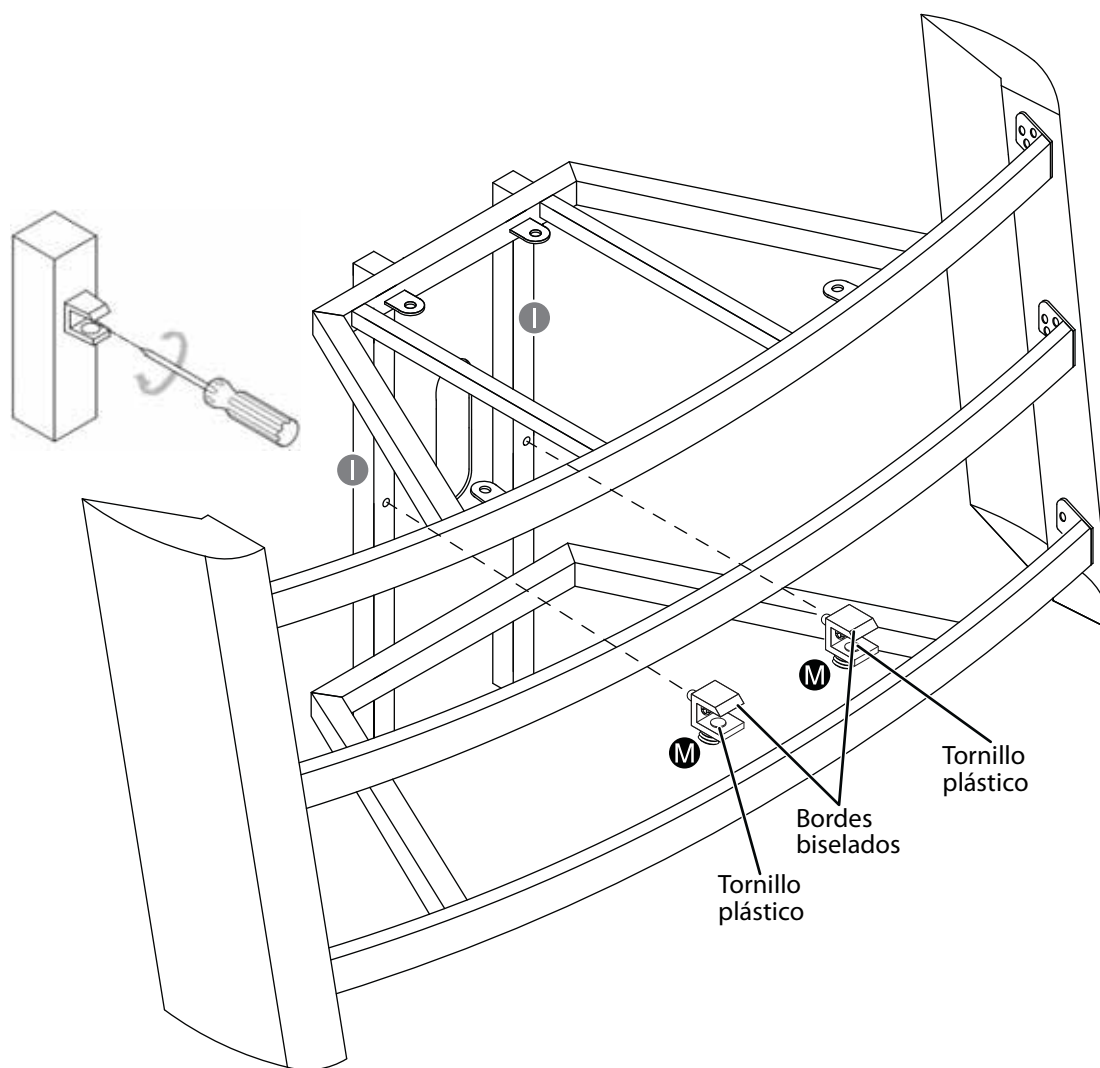


Destornillador Phillips

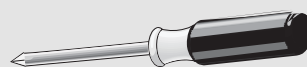
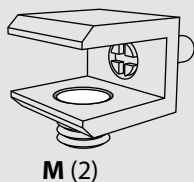
Paso 7: Instalación de los clips de las repisas

- 1 Afloje los tornillos de plástico blancos en los dos ganchos para vidrio (**M**) hasta que los tornillos están casi hasta el final de los ganchos.
- 2 Coloque los dos ganchos para vidrio (**M**) en los agujeros en el panel posterior (**I**). Asegúrese de que los bordes biselados de los ganchos para vidrio estén hacia arriba y los tornillos plásticos dentro de los ganchos miren hacia abajo.
- 3 Use un destornillador Phillips para girar el tornillo que esta dentro de cada gancho de la repisa de vidrio (**M**) a 90° en el sentido de las agujas del reloj para bloquear los ganchos a las patas.

Cuidado: no apriete demasiado los tornillos de los ganchos para vidrio de la repisa.



Necesitará:



Destornillador Phillips

Paso 8: Instalación del panel superior de vidrio



CUIDADO: se utiliza vidrio de seguridad templado. Es más resistente que el vidrio común y no se romperá en fragmentos largos y afilados como cuchillos. Sin embargo el vidrio de seguridad se puede romper. Cuando el vidrio de seguridad se rompe, éste se fractura instantáneamente en pequeños pedazos. Estos pequeños pedazos podrían tener bordes afilados.

Para su propia seguridad, siga éstas precauciones cuando ensamble su producto:

Use gafas de seguridad u otro tipo de protección para los ojos.

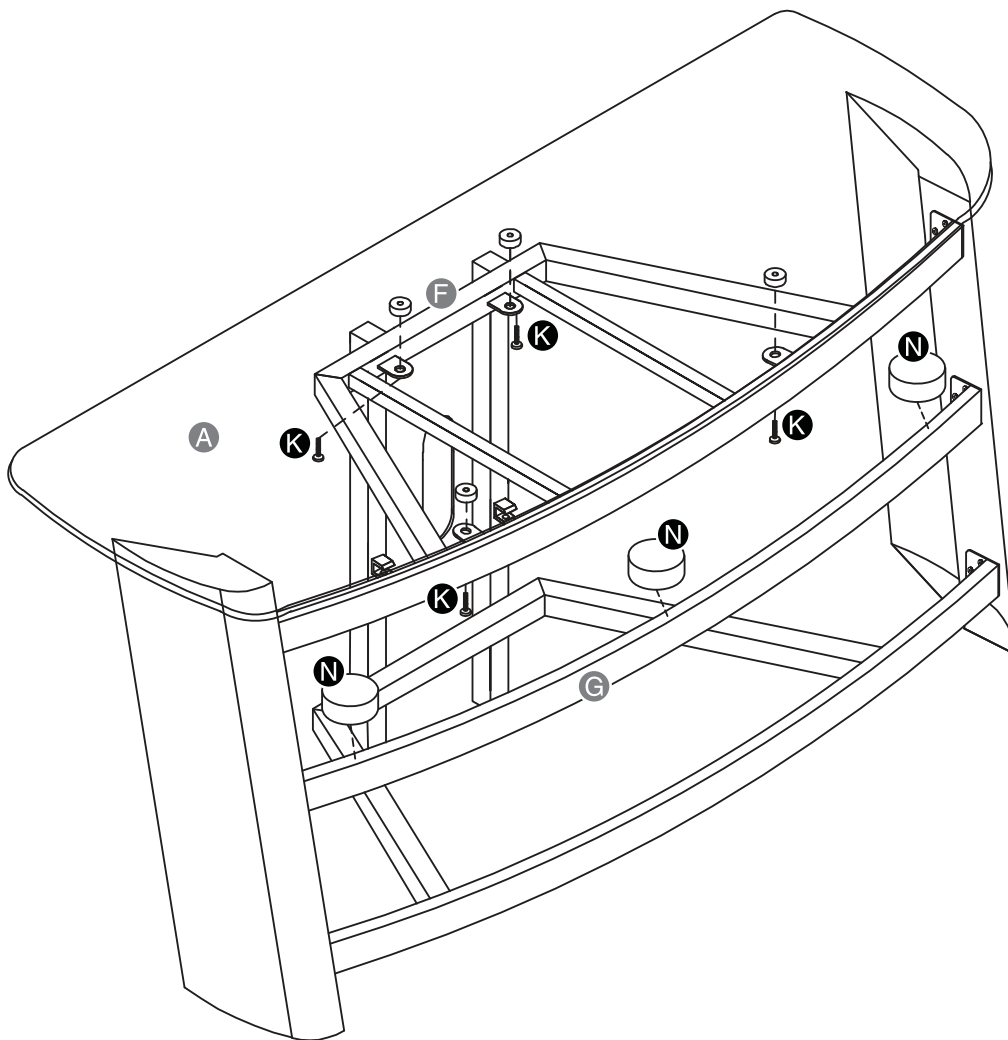
No intente taladrar o cortar el vidrio de seguridad. Este se romperá instantáneamente en pequeños pedazos.

No coloque el vidrio en su lugar a la fuerza.

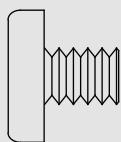
Si el vidrio se rompe, tenga cuidado al recoger los pedazos. Podrían tener bordes afilados.

Nota: El borde curvo de la repisa de vidrio tiene estar frente al exterior..

- 1 Fije la repisa de vidrio superior (**A**) al armazón superior (**F**) usando los tornillos de 3/8 pulg. (**K**).
- 2 Coloque tres espaciadores de vidrio (**N**) en la barra de soporte (**G**).



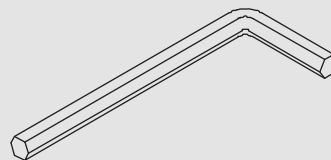
Necesitará:



K (4)



N (3)

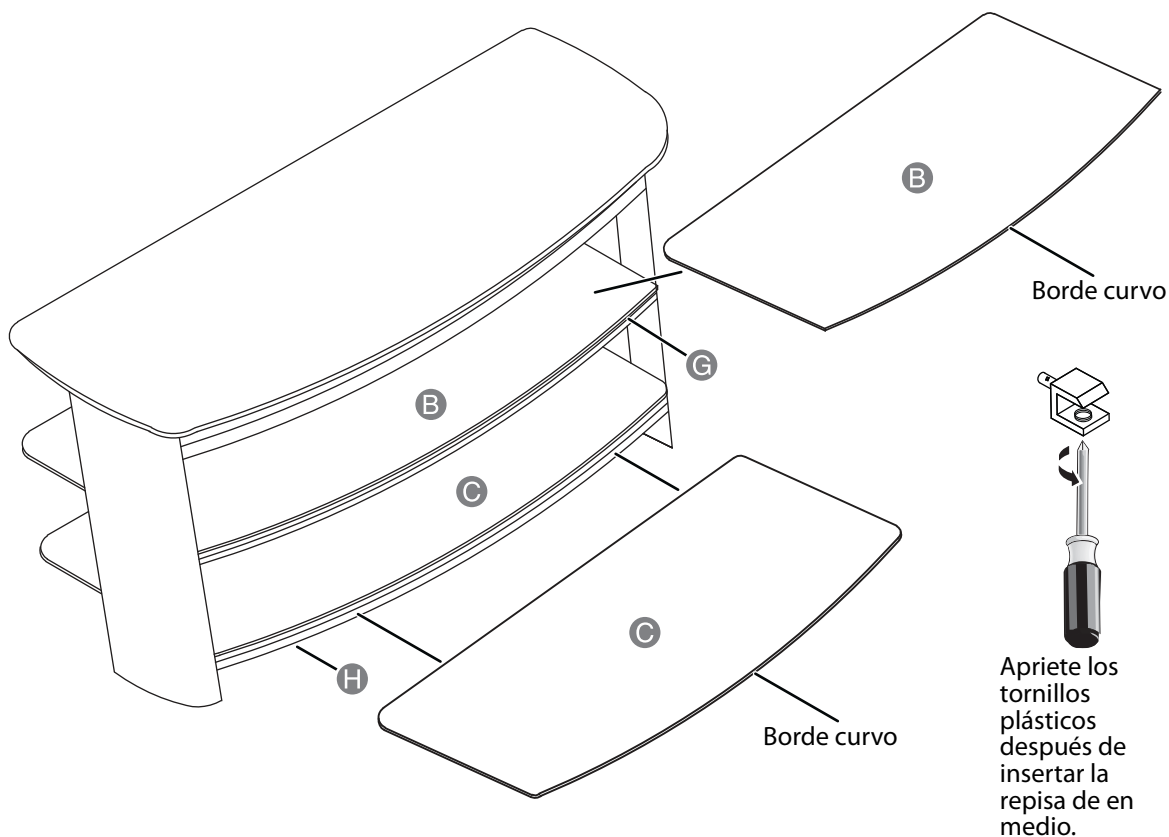
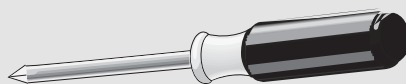


O (1)

Paso 9: Instalación de las repisas inferior y de en medio

Nota: los bordes curvos del vidrio de la repisa debería de salirse hacia fuera.

- 1 Cuidadosamente inserte la repisa de vidrio de en medio (**B**) en los dos ganchos para vidrio y en los dos espaciadores para vidrio en la barra de soporte (**G**) y apriete los tornillos plásticos en los ganchos para vidrio con un destornillador Phillips.
- 2 Cuidadosamente coloque la repisa de vidrio inferior (**C**) en los espaciadores de vidrio en el armazón inferior (**H**).

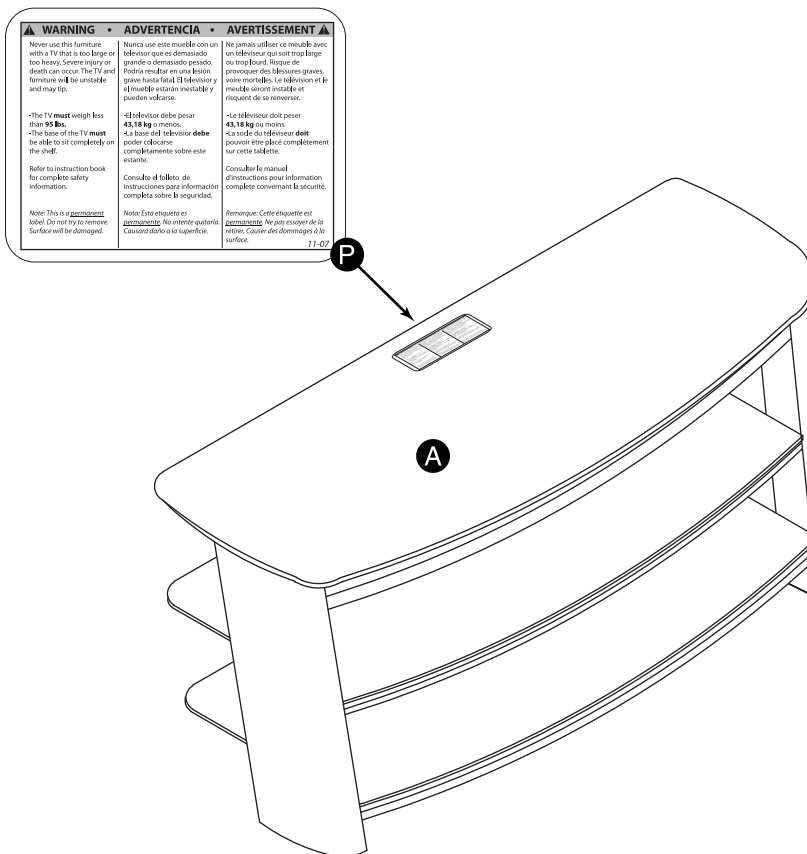
**Necesitará:**

Destornillador Phillips

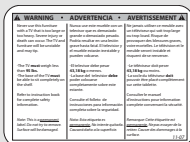
Paso 10: Coloque la etiqueta de advertencia

- Aplique la etiqueta de advertencia (P) en la repisa superior superior (A) para que el televisor oculte la etiqueta. Despegue la capa posterior y aplique la etiqueta como se muestra en el diagrama.

Nota: esta es una etiqueta permanente que se diseñó para que dure por la vida del producto. Después de aplicar la etiqueta, no intente quitarla.



Necesitará:



P (1)

CUIDADO Y MANTENIMIENTO

Vidrio

- Use un limpiador líquido comercial para vidrio y un paño suave.
- No use un polvo áspero u otra sustancia abrasiva que pueden rayar el vidrio.
- Limpie de inmediato los derramamientos con un paño suave y húmedo.
- Proteja las superficies usando fieltro, cuero o corcho debajo de los accesorios.
- Use una almohadilla de protección cuando use su mueble para escribir (sobre todo si usa un bolígrafo).
- Limpie regularmente con un paño suave.



ADVERTENCIA

Por favor use su mueble correctamente y con cuidado. El uso incorrecto puede causar riesgos para la seguridad o daños al mueble o a los artículos del hogar. *Lea cuidadosamente la siguiente tabla.*

Preste atención a:	¿Qué puede suceder?	Como evitar el problema:
<ul style="list-style-type: none"> • Niños subiéndose al mueble. • Un niño puede tratar de alcanzar un juguete o un objeto al subirse al mueble. • Cerca del televisor los niños juegan y están activos. 	<ul style="list-style-type: none"> • Riesgo de lesiones o muerte. • Un niño subiéndose a un mueble podría poner demasiado peso en este y lo haría volcar. • Un niño jugando con un televisor podría hacerlo volcar. 	<ul style="list-style-type: none"> • No deje que niños se suban sobre el mueble o jueguen con el mismo. • No coloque juguetes o comidas sobre las repisas superiores. Los niños tratarán de subir para alcanzarlos solo por curiosidad.
<ul style="list-style-type: none"> • Uso incorrecto del mueble para sostener televisores. • Los muebles diseñados para su uso con televisores especificarán el peso máximo y el tamaño recomendado que apoyará en el mueble de forma segura. 	<ul style="list-style-type: none"> • Riesgo de lesiones o muerte. • El televisor puede ser muy pesado. Además, los televisores antiguos CRT (con tubo catódico) se pueden desequilibrar y volcarse hacia delante. 	<ul style="list-style-type: none"> • Un televisor debe de ser colocado solamente en un mueble diseñado para televisores. • No utilice un televisor que exceda el peso y las dimensiones especificadas para este mueble.
<ul style="list-style-type: none"> • Repisas sobrecargadas. 	<ul style="list-style-type: none"> • Riesgo de lesiones. • Los muebles pesados se pueden volcar. • Las repisas sobrecargadas pueden romperse. 	<ul style="list-style-type: none"> • No exceda nunca los límites de peso que se muestran en las instrucciones. • Llene las repisas de abajo hacia arriba.
<ul style="list-style-type: none"> • Desplazamiento incorrecto del mueble. 	<ul style="list-style-type: none"> • El mueble puede volcarse o romperse si se mueve incorrectamente. • Riesgo de lesiones. 	<ul style="list-style-type: none"> • Retire las repisas de arriba hacia abajo antes de mover el mueble. • No empuje el mueble, sobre todo en un piso de alfombra. Que un amigo le ayude a levantar el producto y colocarlo en su lugar. • No levante el mueble usando la repisa superior. Levántelo por el marco o las patas. • Retire el televisor antes de mover el mueble para televisor.

Garantía limitada de un año – Insignia

Descripción:

El distribuidor de los productos de la marca Insignia le garantiza a usted, el comprador original de este producto nuevo de la marca Insignia ("Producto"), que éste se encontrará libre de defectos de material o de mano de obra en su fabricación original por un periodo de un (1) año a partir de la fecha de compra del Producto ("Período de Garantía").

Para que esta garantía se aplique, su Producto tiene que haberse comprado en los Estados Unidos o en Canadá con un detallista de la marca Best Buy o Future Shop o en línea en los sitios www.bestbuy.com, www.bestbuy.ca o www.futureshop.ca y que fueron empacados con esta declaración de garantía.

¿Cuánto dura la garantía?

El Período de Garantía dura por 1 año (365 días) a partir de la fecha en que compró el Producto. La fecha de compra se encuentra impresa en el recibo que recibió con el Producto.

¿Qué es lo que cubre esta garantía?

Durante el Período de Garantía, si un centro de reparación autorizado de Insignia concluye que la fabricación original del material o la mano de obra del Producto se encuentran defectuosos Insignia (cómo su opción exclusiva): (1) reparará el Producto con repuestos nuevos o reconstruidos; o (2) reemplazará el Producto sin costo alguno por un producto nuevo o reconstruido con características similares. Los Productos y repuestos reemplazados bajo esta garantía se volverán propiedad de Insignia y no se le regresarán a usted. Si se requiere la reparación de Productos o partes después de que se vence el Período de Garantía, usted deberá pagar todos los costos de mano de obra y de repuestos. Esta garantía estará vigente tanto como usted sea el dueño de su producto Insignia durante el periodo de garantía. La cobertura de la garantía se anula si usted vende o transfiere el Producto.

¿Cómo se obtiene el servicio de garantía?

Si se compró el Producto en una tienda de Best Buy o Future Shop, por favor lleve su recibo original y el Producto a cualquier tienda de Best Buy o Future Shop. Asegúrese de volver a colocar el Producto en su empaque original o en un empaque que provea la misma protección que el original. Si compró el Producto en línea en el sitio Web de Best Buy o Future Shop (www.bestbuy.com, www.bestbuy.ca o www.futureshop.ca), envíe por correo su recibo original y el Producto a la dirección postal especificada en el sitio Web. Asegúrese de colocar el Producto en su empaque original o en un empaque que provea la misma protección que el original.

Para obtener servicio de garantía, por favor llame al 1-888-BESTBUY en los Estados Unidos. En Canadá llame el 1-866-BESTBUY y para Future Shop el 1-800-663-2275. Los agentes de soporte técnico diagnosticarán y corregirán el problema por teléfono.

¿Dónde es válida la garantía?

Esta garantía sólo es válida en los Estados Unidos y Canadá en las tiendas de Best Buy o Future Shop o en sus sitios Web para el comprador original del producto en el país donde se realizó.

¿Qué es lo que no cubre la garantía?

Esta garantía no cubre:

- Capacitación o instrucción del cliente
- Instalación
- Ajustes de configuración
- Daños cosméticos
- Daños debidos al clima, relámpagos, causas de fuerza mayor, tales como sobretensiones
- Danos accidentales
- Uso inapropiado
- Abuso
- Negligencia

- Uso o propósito comercial, incluyendo pero no limitado al uso en centros comerciales o lugares comunes de un condominio de varios pisos o un edificio de departamentos, o cualquier uso en un lugar que no sea una casa privada
- Modificación de alguna parte del Producto, incluyendo la antena
- Un panel de pantalla plasma dañado por la persistencia de imágenes estáticas (sin movimiento), mostradas por periodos de tiempo extendido (efecto "burn-in")
- Daño debido al uso o mantenimiento inapropiado
- Conexión a una fuente de voltaje o de alimentación incorrecta
- Intento de reparación por cualquier persona que no sea autorizada por Insignia para reparar el Producto
- Productos vendidos "tal cual" (en el estado en que se encuentran) o "con todas sus fallas"
- Consumibles, incluyendo pero no limitado a pilas o baterías (tipo AA, AAA, C etc.)
- Productos en los cuales el número de serie asignado en la fábrica ha sido alterado o removido
- Perdida o robo de este producto o cualquier parte de sus componentes
- Las pantallas con hasta tres (3) píxeles defectuosos (puntos oscuros o incorrectamente iluminados) agrupados en una superficie más pequeña que la décima parte (1/10) del tamaño de la pantalla ni hasta cinco (5) píxeles defectuosos en toda la superficie de la pantalla. Las pantallas con píxeles pueden tener un número limitado de píxeles defectuosos
- Los defectos o daños causados como resultado de cualquier contacto, sin limitarse a líquidos, geles o pastas

EL REEMPLAZO O LA REPARACIÓN ESTIPULADOS BAJO ESTA GARANTÍA SON SU RECURSO EXCLUSIVO POR CUALQUIER VIOLACIÓN DE LA GARANTÍA. INSIGNIA NO SERÁ RESPONSABLE POR DAÑOS INCIDENTALES O CONSECUENTES DEBIDO AL INCUMPLIMIENTO DE CUALQUIER GARANTÍA EXPRESA O IMPLÍCITA RELACIONADA CON ESTE PRODUCTO, INCLUYENDO PERO SIN LIMITARSE A LA PÉRDIDA DE INFORMACIÓN, LA PÉRDIDA DE NEGOCIOS O DE GANANCIAS. INSIGNIA PRODUCTS NO HACE NINGUNA OTRA GARANTÍA EXPRESA E IMPLÍCITA RELACIONADA A ESTE PRODUCTO, INCLUYENDO PERO SIN LIMITARSE A, CUALQUIER GARANTÍA IMPLÍCITA Y CONDICIONES DE COMERCIALIZACIÓN Y IDONEIDAD PARA UN USO PARTICULAR, ESTÁN LIMITADAS EN DURACIÓN AL PERÍODO DE GARANTÍA DECLARADO ANTERIORMENTE Y NINGUNA GARANTÍA YA SEA EXPRESA O IMPLÍCITA SE APLICARÁ DESPUÉS DEL PERÍODO DE GARANTÍA. ALGUNOS ESTADOS, PROVINCIAS Y JURISDICCIONES NO PERMITEN RESTRICCIONES EN CUANTO A LA DURACIÓN DE UNA GARANTÍA IMPLÍCITA, ASÍ QUE LA RESTRICCIÓN ANTERIOR PUEDE NO APLICARSE EN SU CASO. ESTA GARANTÍA LE DA DERECHOS LEGALES ESPECÍFICOS, Y USTED PUEDE POSEER OTROS DERECHOS QUE VARÍAN DE ESTADO A ESTADO, O DE PROVINCIA A PROVINCIA.

Comuníquese con Insignia:

Para servicio al cliente favor llamar al 1-877-467-4289

www.insigniaproducts.com

INSIGNIA es una marca comercial de Best Buy y sus compañías asociadas.

Registrada en ciertos países.

Distribuido por Best Buy Purchasing, LLC

7601 Penn Av. South, Richfield, MN 55423 E.U.A.

©2015 Best Buy. Todos los derechos reservados.

Hecho en China

INSIGNIA™

Certificate of Conformity

1. This certificate applies to the Insignia Product identified by this instruction booklet.
2. This certificate applies to the compliance of this product with the CPSC Ban on Lead-Containing Paint (16 CFR 1303).
3. This product was manufactured for:
Insignia
4. Date of Manufacture: _____

Lot number: 413124

Certificado de conformidad

- 1 Este certificado aplica al Producto Insignia identificado en este manual de instrucciones.
2. Este certificado aplica al cumplimiento de este producto con la Prohibición CPSC de Pintura con Plomo (16 CFR 1303).
3. Este producto fue fabricado por:
Insignia
4. Fecha de fabricación: _____

Lot number: 413124

1-877-467-4289 (U.S. and Canada) or 01-800-926-3000 (Mexico)
www.insigniaproducts.com

INSIGNIA is a trademark of Best Buy and its affiliated companies.
Registered in some countries.
Distributed by Best Buy Purchasing, LLC
7601 Penn Ave South, Richfield, MN 55423 U.S.A.
©2015 Best Buy. All rights reserved.
Made in China

INSIGNIA es una marca comercial de Best Buy y sus compañías asociadas.
Registrada en ciertos países.
Distribuido por Best Buy Purchasing, LLC
7601 Penn Av. South, Richfield, MN 55423 E.U.A.
©2015 Best Buy. Todos los derechos reservados.
Hecho en China

V4 ENGLISH/SPANISH
15-0060

Free Manuals Download Website

<http://myh66.com>

<http://usermanuals.us>

<http://www.somanuals.com>

<http://www.4manuals.cc>

<http://www.manual-lib.com>

<http://www.404manual.com>

<http://www.luxmanual.com>

<http://aubethermostatmanual.com>

Golf course search by state

<http://golfingnear.com>

Email search by domain

<http://emailbydomain.com>

Auto manuals search

<http://auto.somanuals.com>

TV manuals search

<http://tv.somanuals.com>