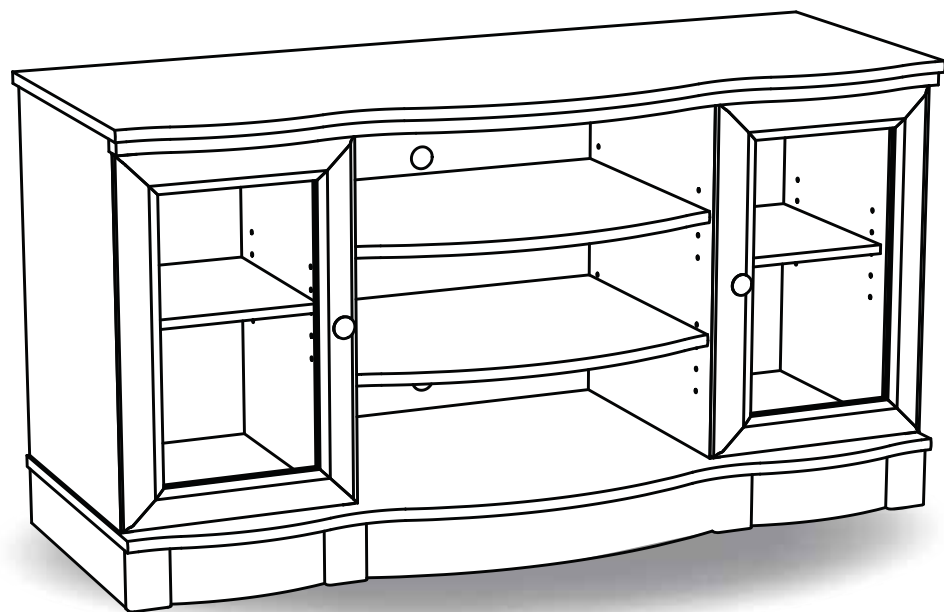


INSIGNIA™

Espresso Finish Closed Cabinet TV Stand

for TVs up to 50"/95 lbs

NS-WD1450/NS-WD1450-C



SAFETY INFORMATION AND SPECIFICATIONS....	2
PACKAGE CONTENTS: PARTS.....	3
PACKAGE CONTENTS: HARDWARE.....	4
ASSEMBLY INSTRUCTIONS.....	5
CARE AND MAINTENANCE.....	19

SAFETY INFORMATION AND SPECIFICATIONS



CAUTION: The top surface of this stand is designed for use with a product weighing no more than 95 lbs. (43 kg) and having a width that permits it to sit evenly on the stand with no more than a one-inch overhang on each side of the shelf. Use with products that weigh more than the maximum weight allowed, or with dimensions that extend beyond the maximum width may result in instability, which may result in injury.



CAUTION: This product contains small items that could be a choking hazard if swallowed.

Keep these items away from young children!

Model #: NS-WD1450

Maximum overall weight: 200 lbs. (90.7 kg)

Maximum top shelf weight: 95 lbs. (43 kg)

Maximum adj. center shelf weight: 25 lbs.

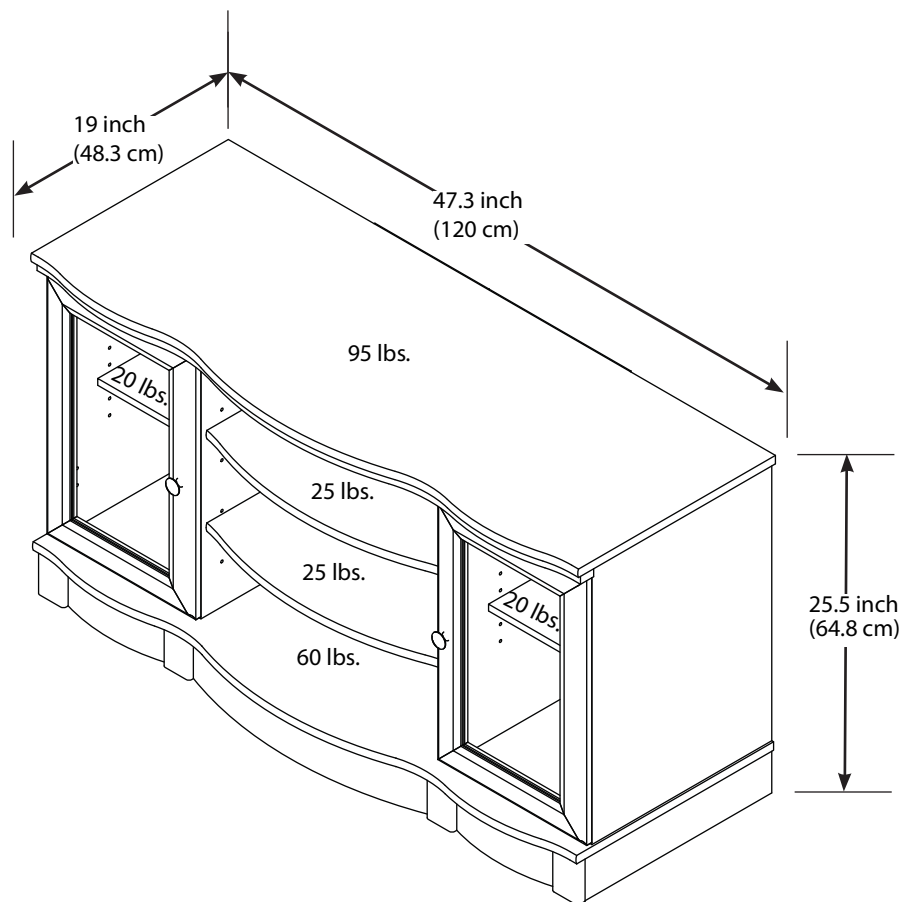
Maximum adj. side shelf weight: 20 lbs.

Maximum bottom shelf weight: 60 lbs.

Maximum screen size: 50" diagonal

Overall dimensions (H x W x D):

25.5 x 47.25 x 19 in. (64.8 x 120 x 48.3 cm)



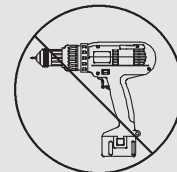
Tools needed:



Phillips screwdriver



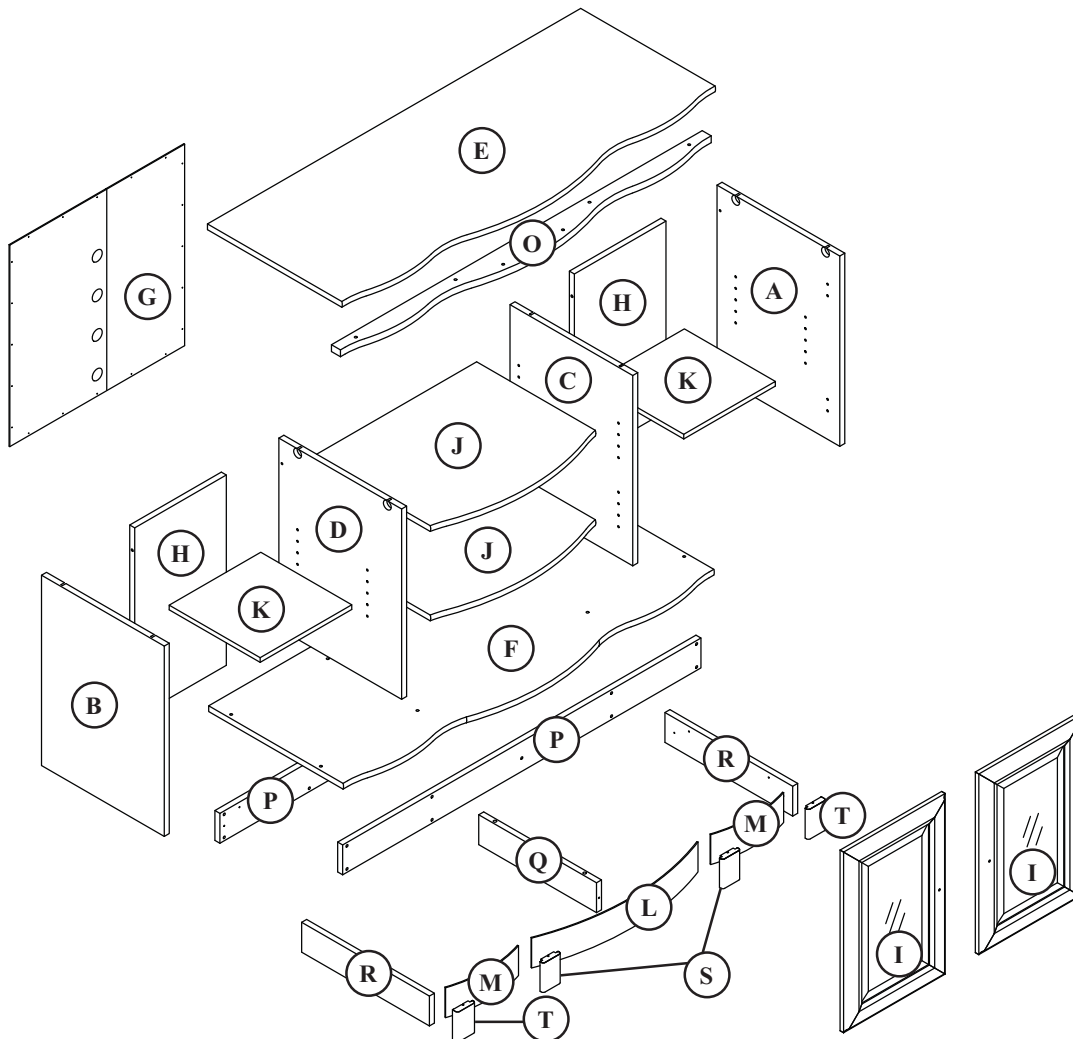
Hammer



PACKAGE CONTENTS: PARTS


Make sure that you have all the parts necessary to assemble your new TV stand. While not all parts are labeled, some of the parts will have a label or an inked letter on the edge to help distinguish similar parts from each other. Use this part identification to help identify similar parts.

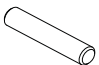


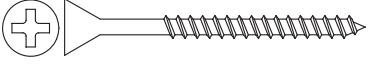
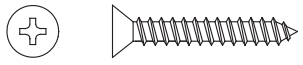
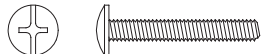
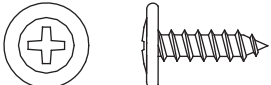


A	Right End	1	K	Small Adjustable Shelf	2
B	Left End	1	L	Long Skirt	1
C	Right Upright	1	M	Short Skirt	2
D	Left Upright	1	O	Top Molding	1
E	Top	1	P	Long Brace	2
F	Bottom	1	Q	Short Brace	1
G	Back	1	R	Side Brace	2
H	Outer Back	2	S	Inner Base Block	2
I	Door	2	T	Outer Base Block	2
J	Large Adjustable Shelf	2			

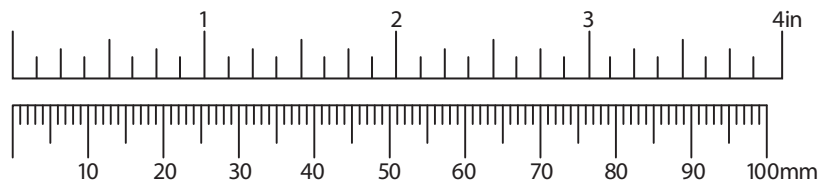


PACKAGE CONTENTS: HARDWARE

Note: The table below shows the required hardware. You may receive extra hardware. Make sure that you have all the hardware necessary to assemble your new TV stand.

Label	Hardware	Qty.
U	 Sauder twist-lock® fasteners	8
V	 Hidden cam	2
W	 Cam dowel	2
X	 Large metal bracket	1
Y	 Metal bracket	18
Z	 Hinge	4
AA	 Knob	2
BB	 Felt discs	4

Label	Hardware	Qty.
CC	 Metal pin	24
DD	 Rubber sleeve	16
EE	 Warning label	1
FF	 Black 1-7/8" flat head screw	10
GG	 Silver 1-1/8" flat head screw	14
HH	 Gold 1" machine screw	2
II	 Black 9/16" large head screw	37
JJ	 Black 1/2" flat head screw	8
KK	 Nail	20



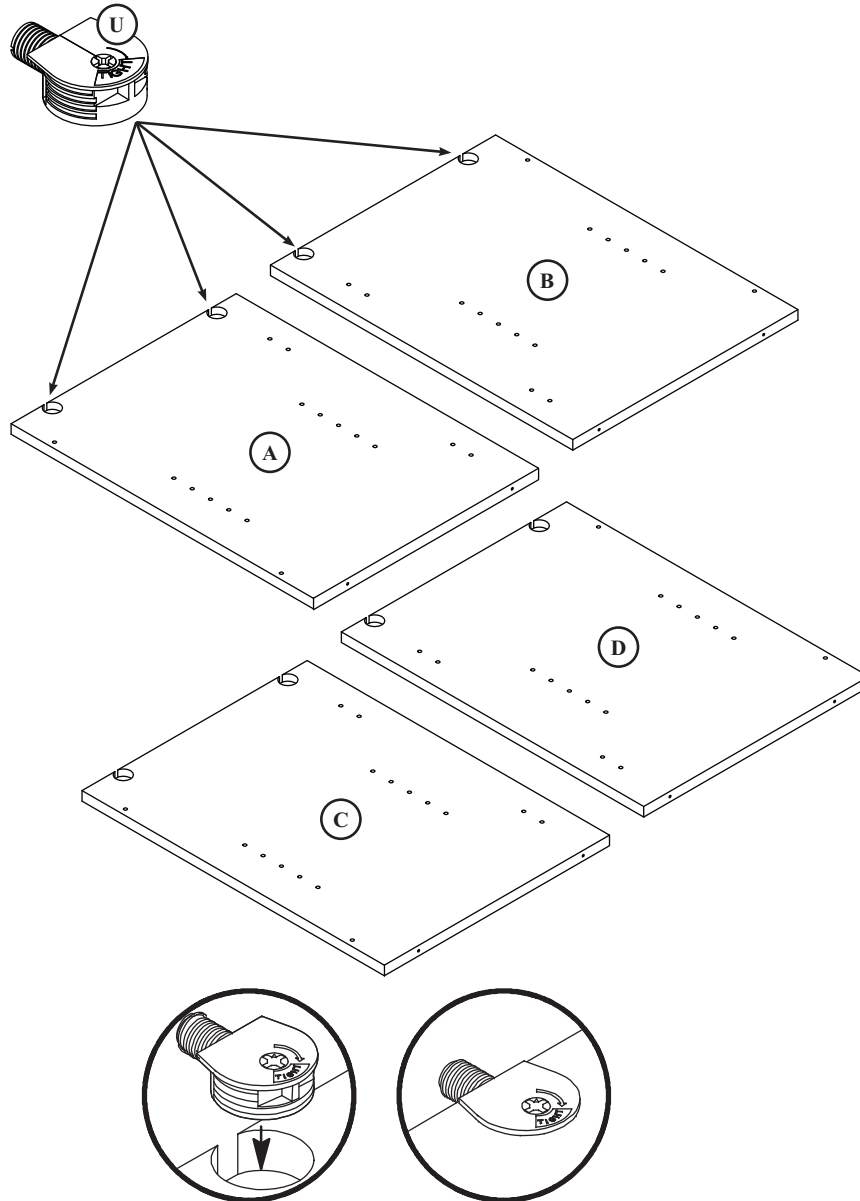
ASSEMBLY INSTRUCTIONS

Step 1: Preparing the right and left ends and the uprights

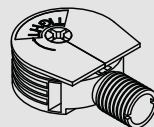
Caution: Assemble your stand on a carpeted floor or on the empty carton to avoid scratching your stand.

- Push a Sauder twist-lock® fastener (U) into the large holes in the right and left ends (A and B) and uprights (C and D).

NOTE: Do not tighten the Sauder twist-lock® fasteners at this time.



You'll need:

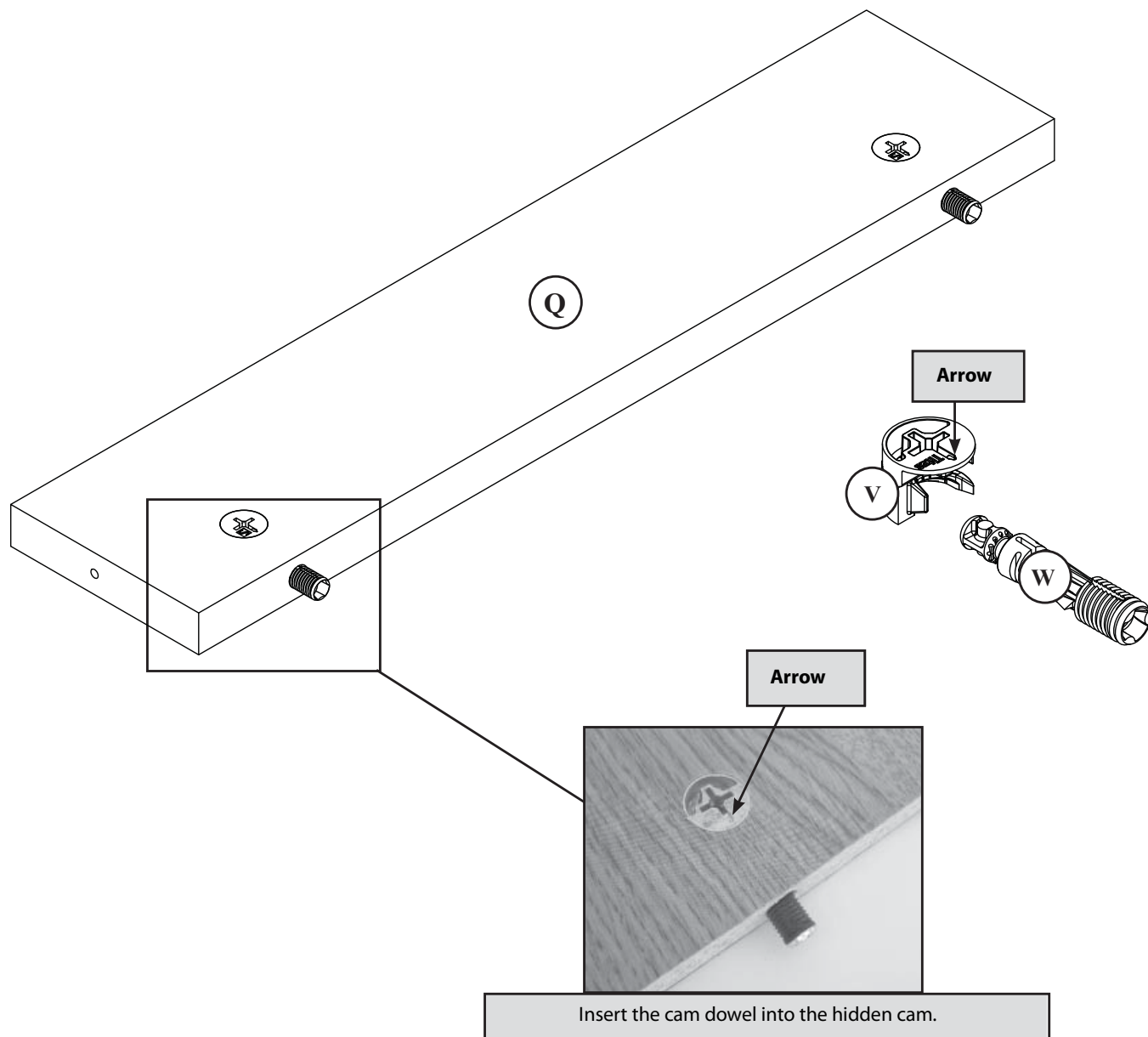
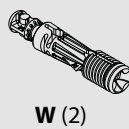


U (8)

Step 2: Preparing the short brace

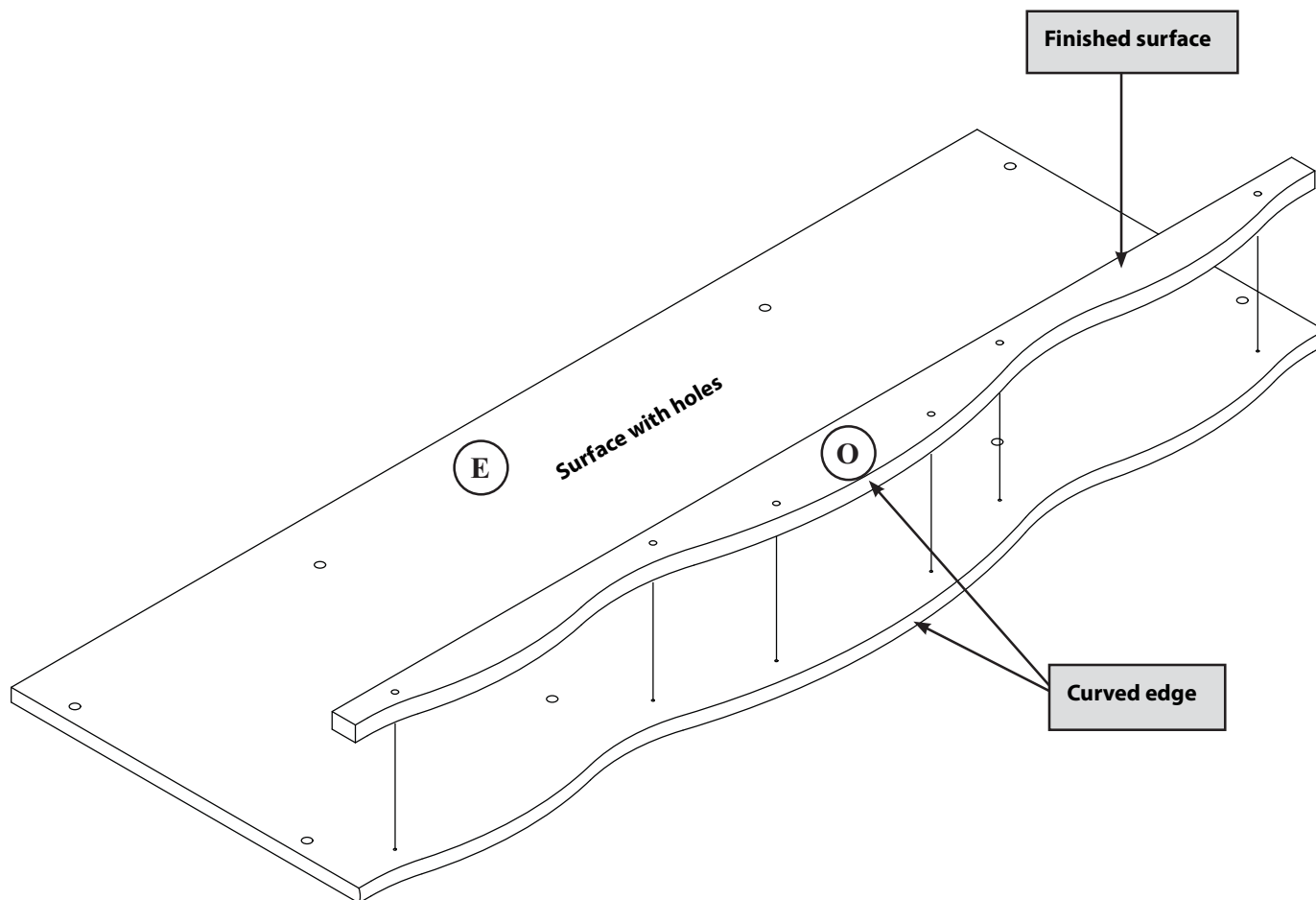
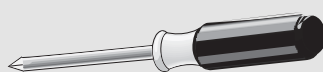
- Push two hidden cams (**V**) into the short brace (**Q**). Then, insert the metal end of a cam dowel (**W**) into each hidden cam (**V**).

NOTE: Do not tighten the hidden cams in this step.

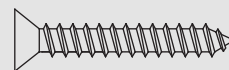
**You'll need:**

Step 3: Preparing the top

- Fasten the top molding (O) to the top (E). Use six silver 1-1/8" flat head screws (GG).

**You'll need:**

Phillips screwdriver



GG (6)

Step 4: Attaching the uprights to the top

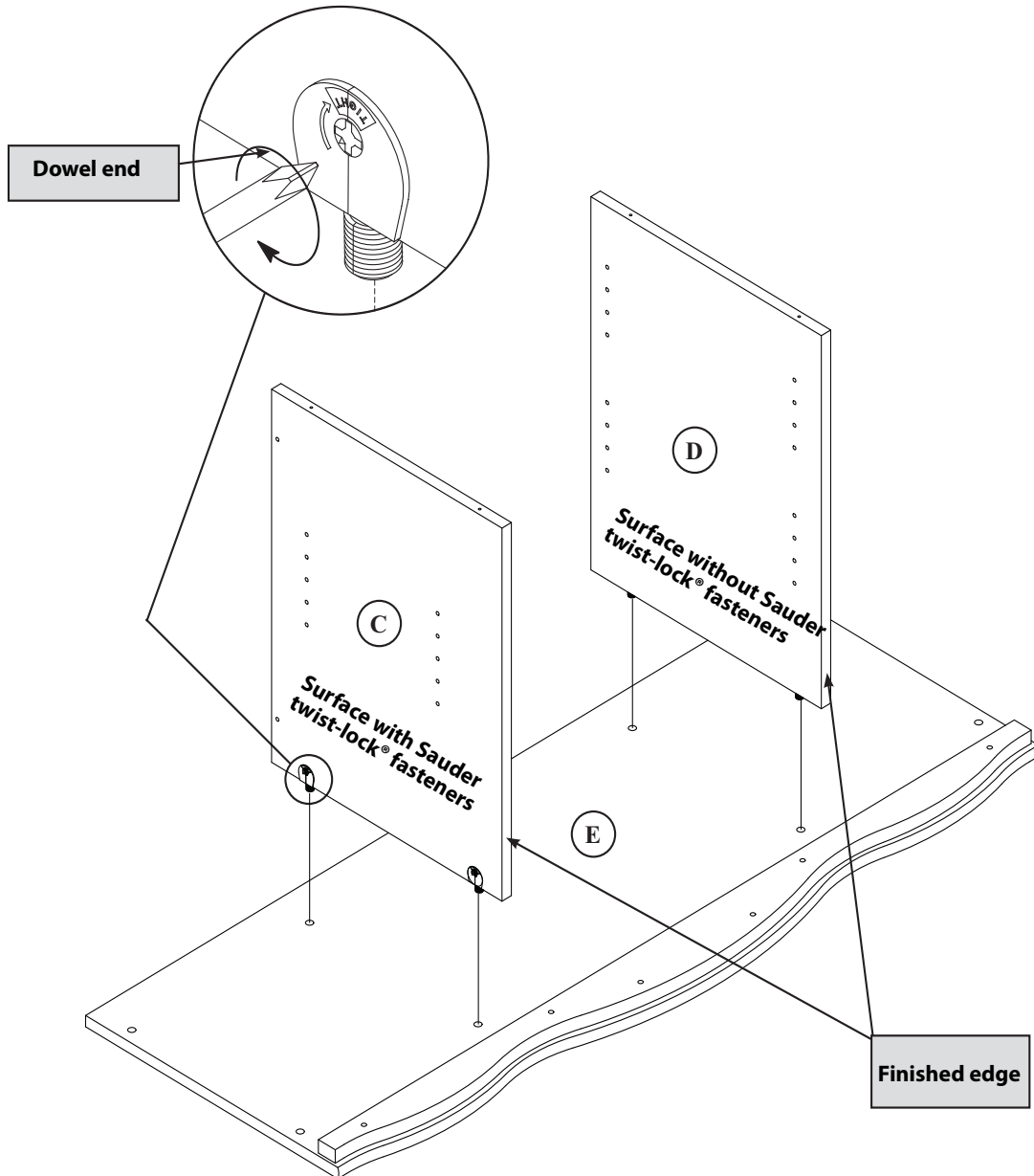
- Fasten the uprights (**C** and **D**) to the underside of the top (**E**), then tighten the four Sauder twist-lock® fasteners (**U**).

To use the Sauder twist-lock® fasteners:

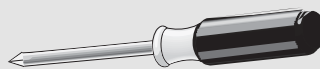
- 1 Insert the dowel end of the fastener into the hole of the adjoining part.

Note: The dowel end of the fastener must remain fully inserted in the hole of the adjoining part while locking the fastener.

- 2 Tighten the fastener with a Phillips screwdriver as tight as possible.



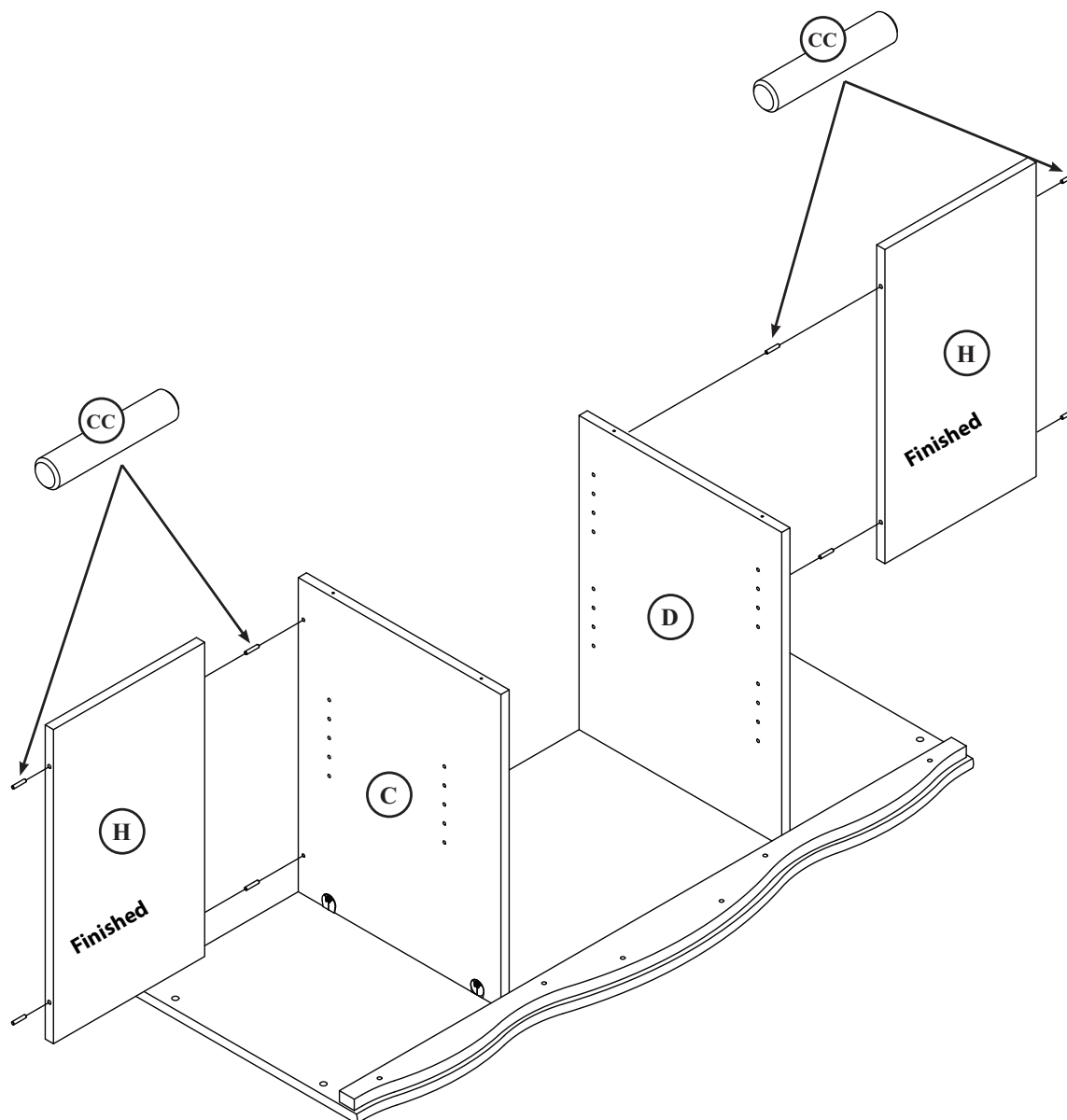
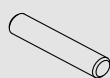
You'll need:



Phillips screwdriver

Step 5: Attaching the outer backs

- 1 Insert two metal pins (**CC**) into each side of the outer backs (**H**).
- 2 Insert the metal pins (**CC**) in the outer backs (**H**) into the holes in the uprights (**C** and **D**).

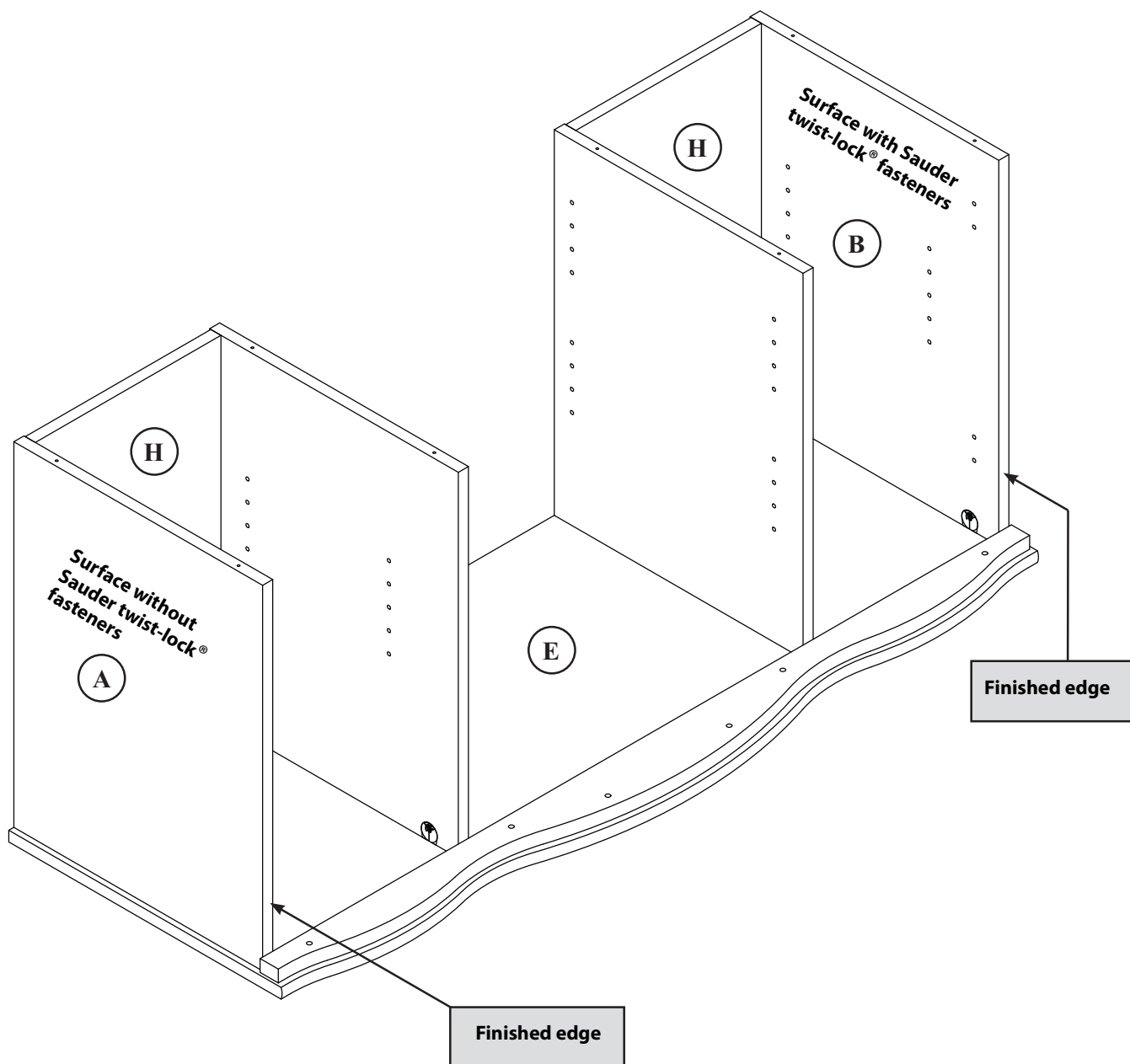
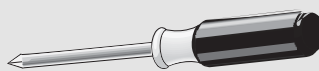
**You'll need:**

CC (8)

Step 6: Attaching the ends

- Fasten the ends (**A** and **B**) to the top (**E**), then tighten the four Sauder twist-lock® fasteners (**U**).

Note: Make sure that the metal pins (**CC**) in the outer backs (**H**) insert into the holes in the ends (**A** and **B**).

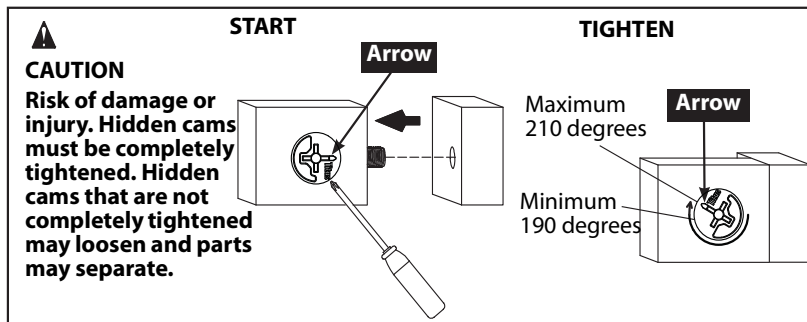
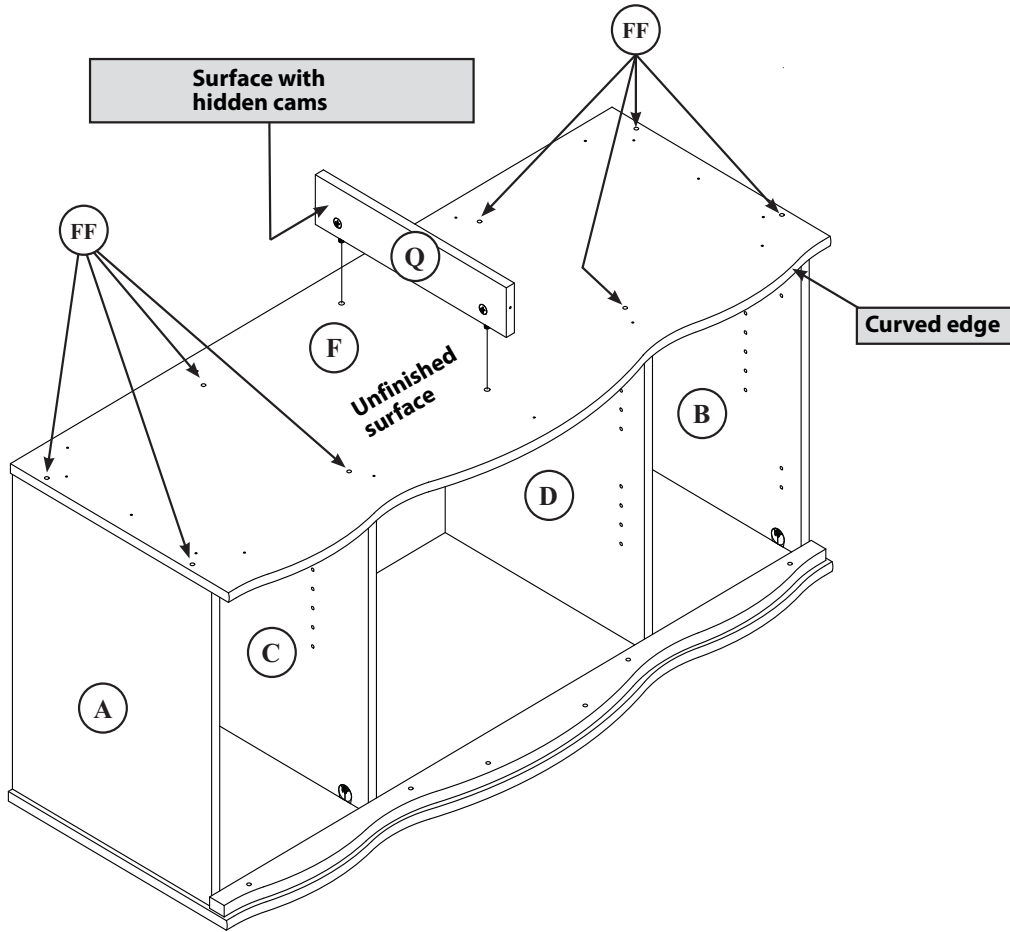
**You'll need:**

Phillips screwdriver

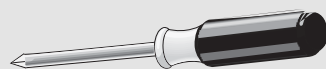
Step 7: Attaching the bottom and the short brace

- 1 Fasten the bottom (F) to the ends (A and B) and the uprights (C and D) with eight black 1-7/8" flat head screws (FF).
- 2 Fasten the short brace (Q) to the bottom (F), then tighten the two hidden cams (V).

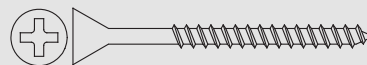
CAUTION: Risk of damage or injury. Hidden cams must be completely tightened. Hidden cams that are not completely tightened may loosen and parts may separate.



You'll need:



Phillips screwdriver

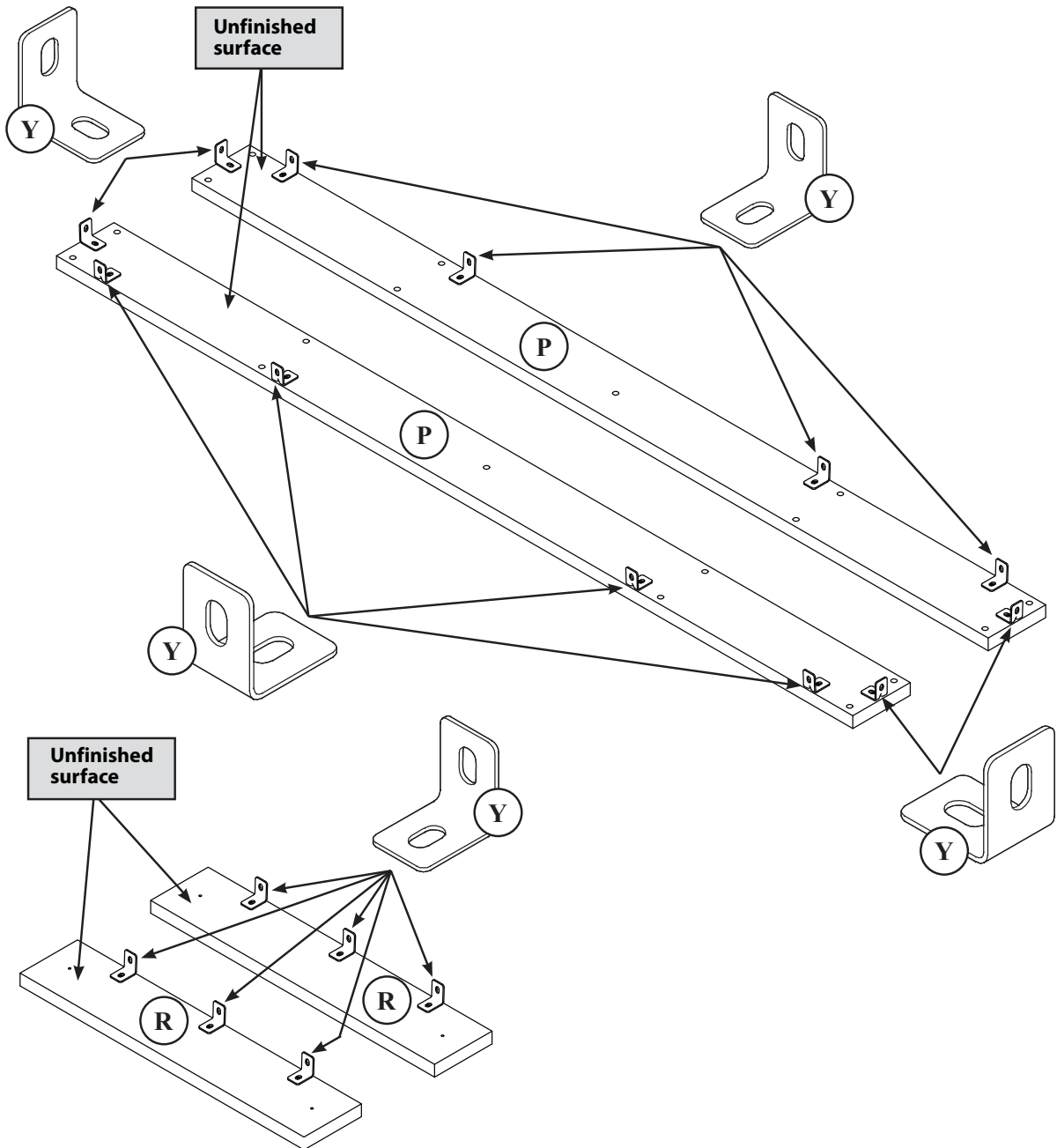


FF (8)

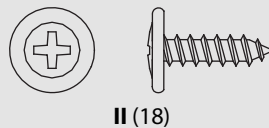
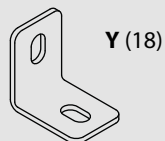
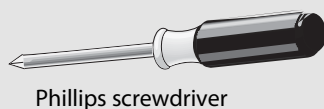
Step 8: Preparing the braces

- Fasten the eighteen metal brackets (Y) to the long braces (P) and side braces (R) with eighteen black 9/16" large head screws (II).

Note: Make sure that the brackets are even with the edges of the braces.

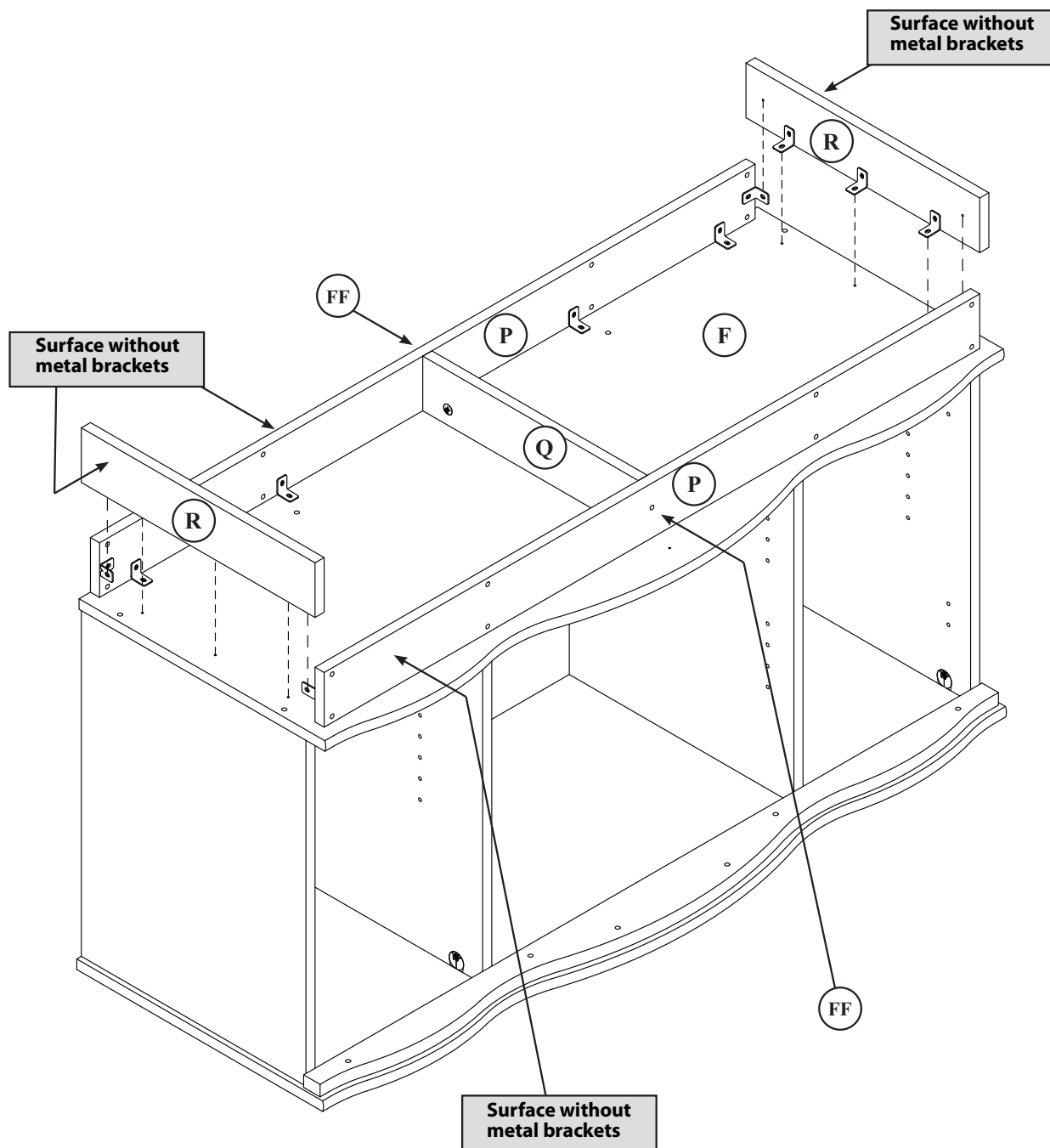


You'll need:

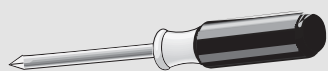


Step 9: Attaching the braces

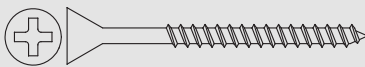
- 1 Fasten the long braces (P) to the bottom (F) with eight black 9/16" large head screws (II).
- 2 Fasten the long braces (P) to the short brace (Q) with two black 1-7/8" flat head screws (FF).
- 3 Fasten the side braces (R) to the bottom (F) and long braces (P) with ten black 9/16" large head screws (II).



You'll need:



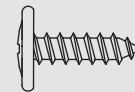
Phillips screwdriver



FF (2)



II (18)



Step 10: Attaching the base blocks and skirts

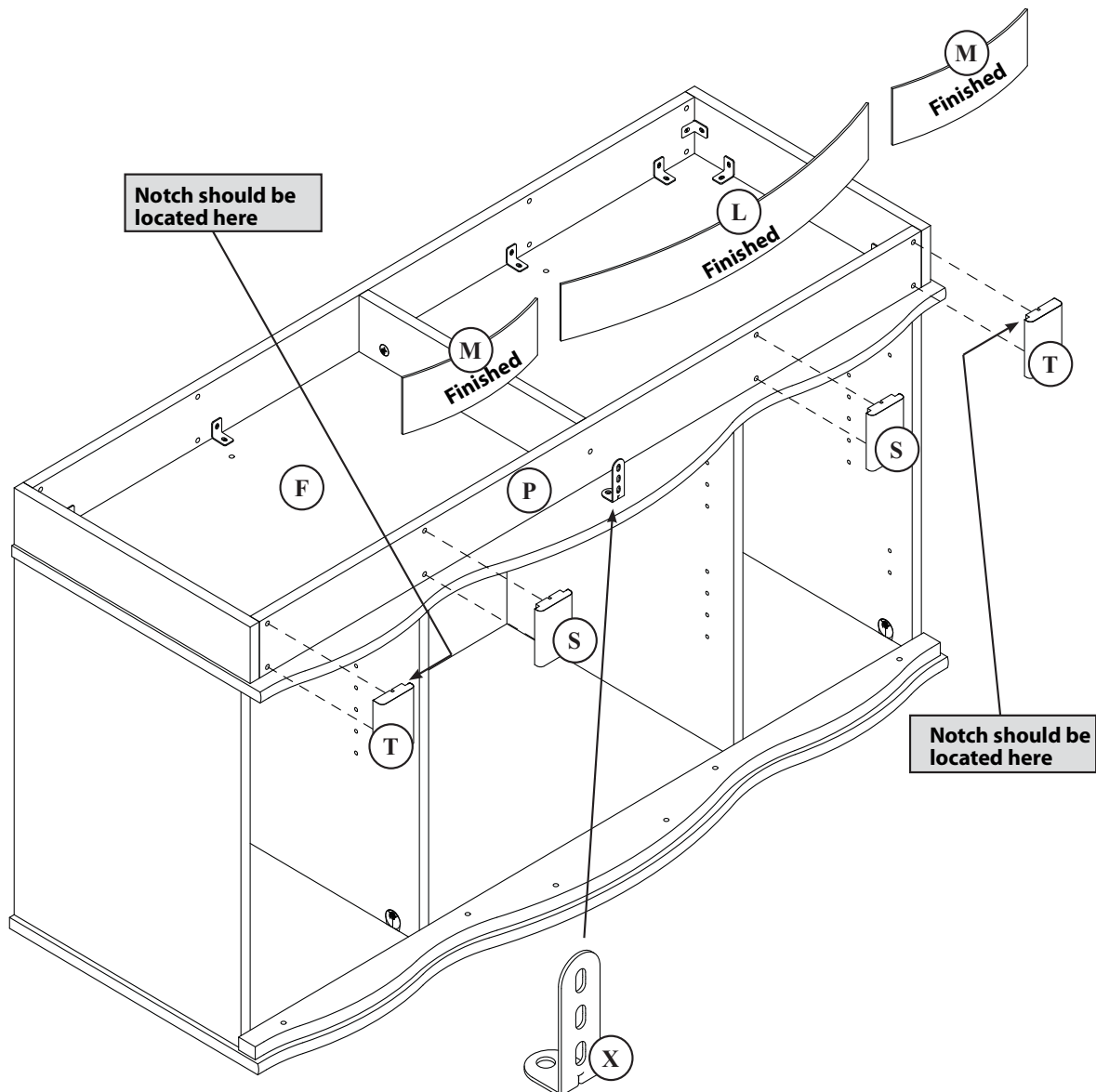
- 1 Fasten the base blocks (**S** and **T**) to the long brace (**P**) with eight silver 1-1/8" flat head screws (**GG**).

Note: There are no pre-drilled holes in the base blocks. The screws will tighten into the grooves in the base blocks. The outer base blocks (**T**) have only one notch and the inner base blocks (**S**) have two notches. Pay close attention to the positioning of the base blocks.

- 2 Fasten the large metal bracket (**X**) to the bottom (**F**) with a black 9/16" large head screw (**II**).

- 3 Insert the skirts (**L** and **M**) into the notches in the base blocks.

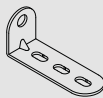
Note: Make sure that the long skirt (**L**) is positioned in front of the large metal bracket.



You'll need:



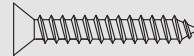
Phillips screwdriver



X (1)



GG (8)



II (18)



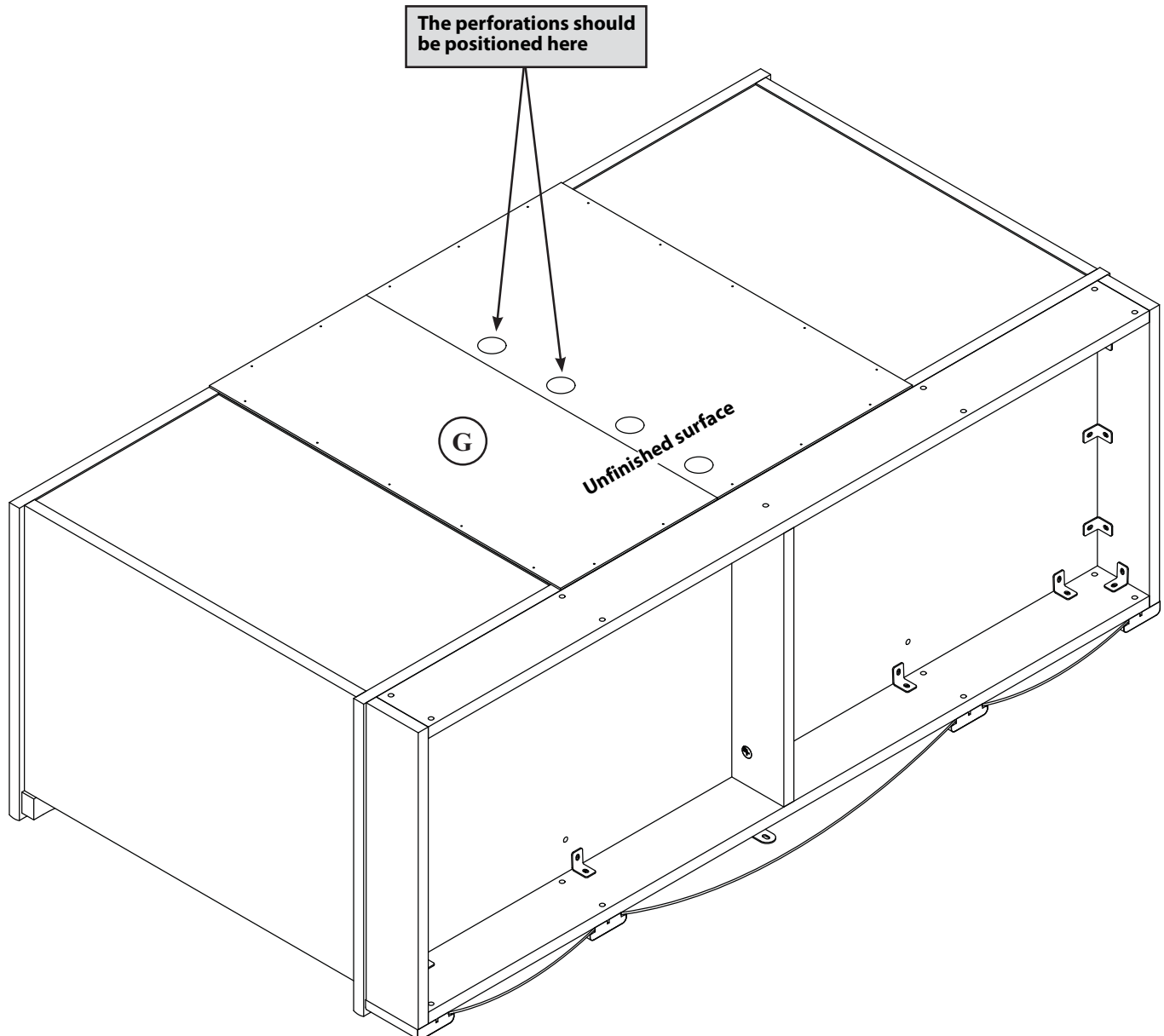
Step 11: Attaching the back

- 1 Carefully turn over your TV stand onto its front edges. Unfold the back (**G**) and lay it over the unit.
- 2 Make sure the back is centered along all four edges. Push on opposite corners, if required, to make it square.
- 3 Fasten the back (**G**) to the unit with nails (**KK**).

Note: Perforations have been provided for access through the back. Carefully cut out the holes, as needed.



CAUTION: Do not stand the unit upright without the back fastened. The unit may collapse.

**You'll need:**

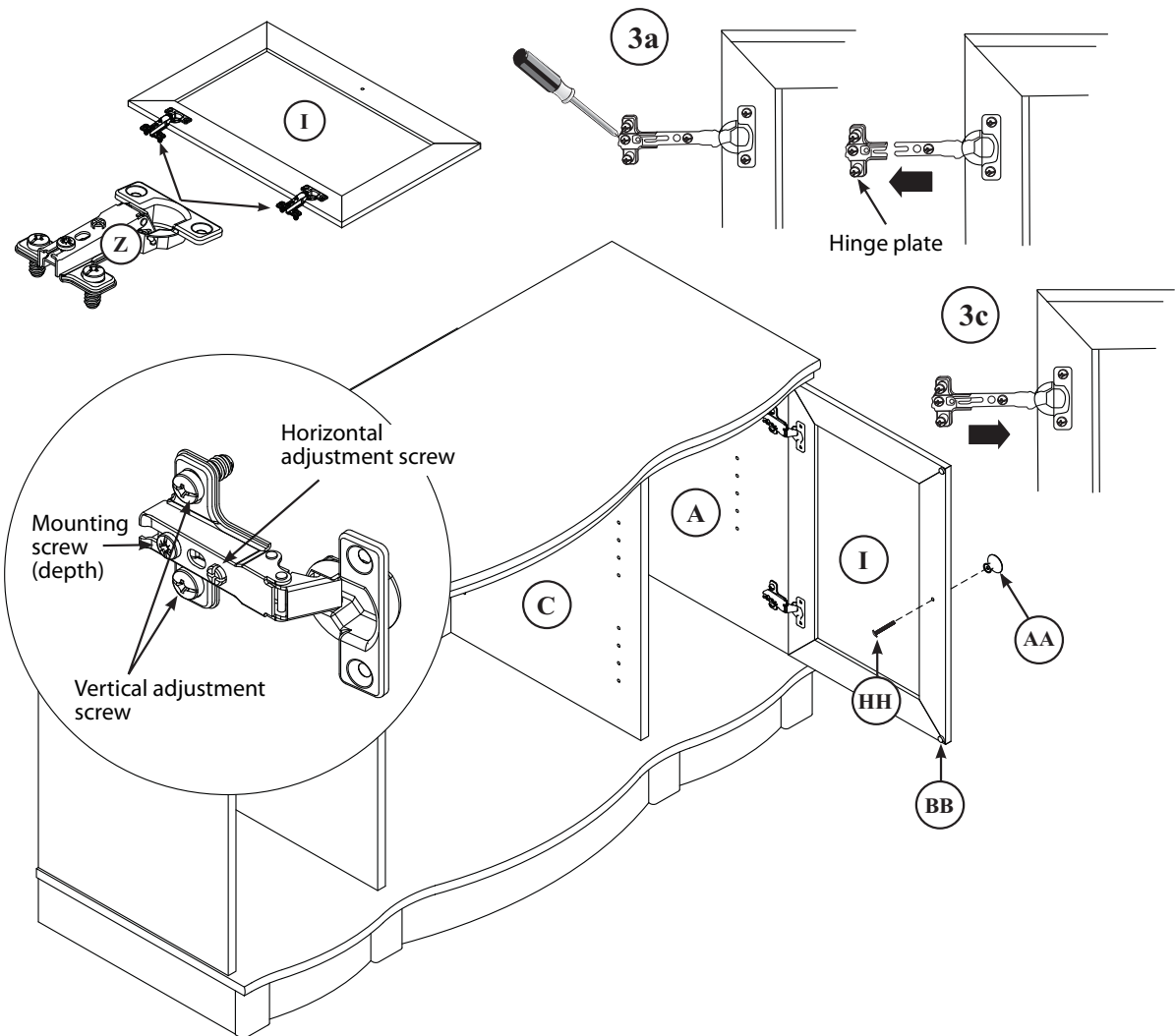
Hammer



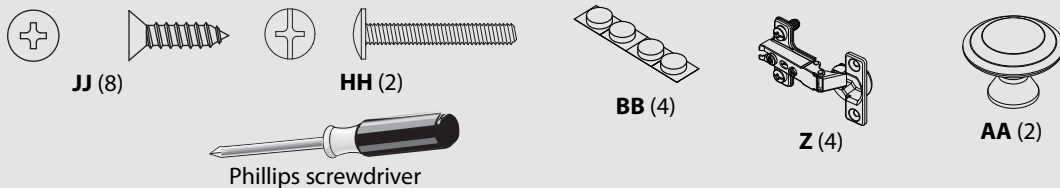
KK (20)

Step 12: Attaching the doors

- 1 Carefully stand your unit upright.
- 2 Fasten two hinges (**Z**) to each door (**I**). Use four black 1/2" flat head screws (**JJ**) on each door.
- 3 Fasten the first door (**I**) to the right end (**A**) and the second door (**I**) to the left end (**B**). Use the screws in the hinges.
 - a. Loosen the mounting screw on both hinges, then slide the hinge apart.
 - b. Tighten the vertical adjusting screws on the hinge plates partway into the right end (**A**).
 - c. Slide the hinges back together by aligning the door (**I**) with right end (**A**) then tighten the vertical adjustment screws and mounting screws.
 - d. Repeat steps a-c for to attach the second door (**I**) to the left end (**B**).
- 4 Fasten a knob (**AA**) to each door (**I**). Use the gold 1" machine screws (**HH**).
- 5 Stick two felt disks (**BB**) on each door (**I**) where it comes in contact with the uprights (**C** or **D**).



You'll need:



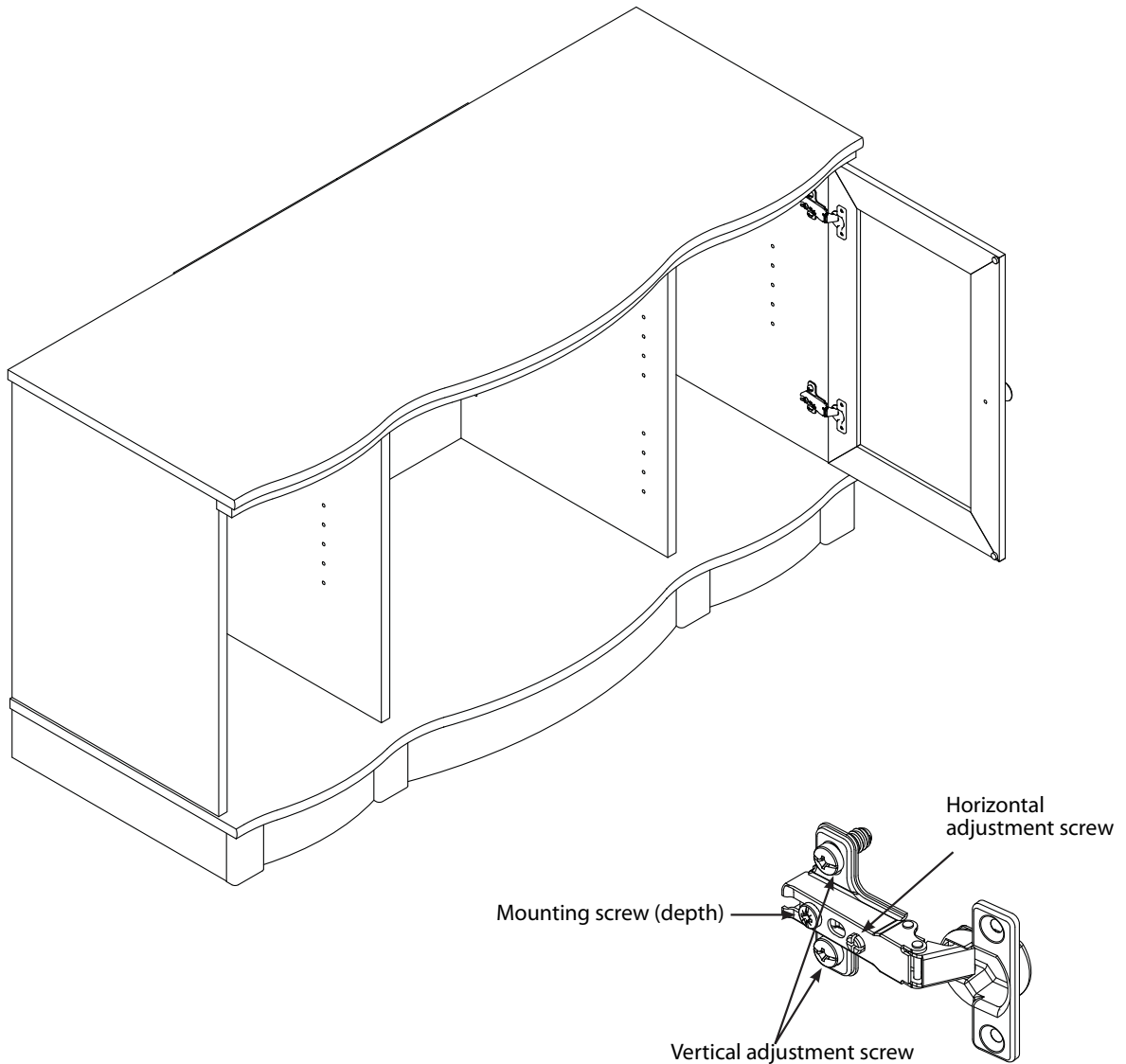
Step 13: Adjusting the doors

Refer to the enlarged diagram to identify the parts on the hinges.

The doors may need some adjustments. Follow the text below to make needed adjustments.

DOOR ADJUSTMENTS:

- To adjust the doors from **side to side** (horizontal), loosen the horizontal adjustment screws several turns, then turn the adjusting screw in or out. Tighten the mounting screw after making adjustments.
- To adjust the doors **up and down** (vertical), loosen both sets of vertical adjustment screws. Move the doors up or down to the desired location. Tighten the screws after making adjustments.
- To adjust the doors **in or out** (depth), loosen the mounting screws one turn and move the doors in or out, as needed. Tighten the mounting screws after making adjustments.



You'll need:



Phillips screwdriver

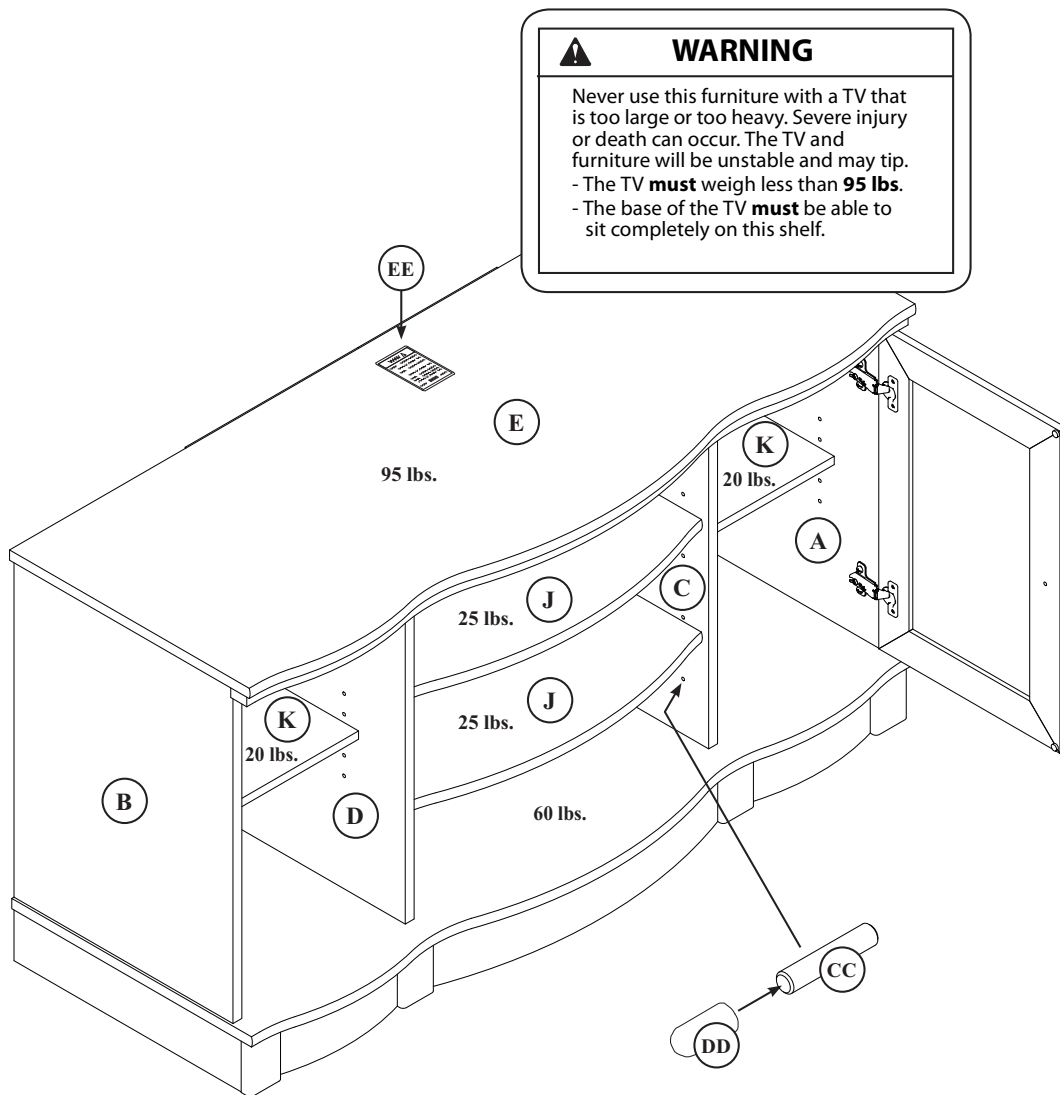
Step 14: Attach miscellaneous hardware and labels

- 1 Push the rubber sleeves (DD) over one end of each metal pin (CC). Insert the metal end of the pins into the hole locations of your choice in the ends (A and B) and uprights (C and D). Set the adjustable shelves (J and K) onto the metal pins.
- 2 Apply the warning label (EE) to the top (E). You should be able to read the label when the TV is removed from the unit. When the TV is in place, it should hide the label. Peel off the backing and apply the label as shown in the diagram.

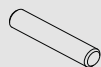
Note: This is a permanent label intended to last for the life of the product. After it is applied, do not try to remove it.

Note: Please read the back pages of this instruction booklet for important safety information.

- 3 This completes the assembly. Clean your TV stand with your favorite furniture polish or a damp cloth, then wipe dry.



You'll need:



CC (16)



DD (16)



EE (1)

CARE AND MAINTENANCE

Wood/Laminate

- Use your favorite type of furniture polish.
- Do not spray polish directly onto the stand. Spray onto a soft cloth then wipe the stand.
- Always test any polish in a discrete location first, such as the back of the stand, to make sure that there is no adverse reaction.
- Dust frequently with a soft cloth.
- Never slide objects across surfaces. Lift objects from the top surface rather than dragging them across the finish when moving them.
- Do not expose your stand to direct sunlight, drying heat sources, or dampness.

Glass

- Use a commercial liquid glass cleaner and a soft cloth.
- Do not use harsh powders or any other abrasive substances as they will scratch the glass.
- Clean spills immediately with a soft, damp cloth.
- Protect surfaces by using felt, leather, or cork under accessories.
- Use a protective pad when using your stand as a writing surface (especially when using a ballpoint pen).
- Dust frequently with a soft cloth.

WARNING

Please use your stand correctly and safely. Improper use can cause safety hazards or damage to your furniture or household items. Carefully read the following chart.

Look out for:	What can happen:	How to avoid the problem:
<ul style="list-style-type: none"> • Children climbing on the stand. • A child may try to reach a toy or other object by climbing on the stand. • Children will play and be active near the TV. 	<ul style="list-style-type: none"> • Risk of injury or death. • A child climbing on the stand can make it top-heavy and cause it to tip over. • A child playing with a TV can cause it to tip over. 	<ul style="list-style-type: none"> • Never allow children to climb on or play with the stand. • Do not place toys or food on the top shelves. Children may try to climb to reach them out of curiosity.
<ul style="list-style-type: none"> • Improper use of the stand to support TVs. • The stand is designed for use with TVs will specify the maximum weight rating and recommended size of the TVs it will safely support. 	<ul style="list-style-type: none"> • Risk of injury or death. • TVs can be very heavy. Note, older CRT TVs tend to be unbalanced and prone to tipping forward. 	<ul style="list-style-type: none"> • A TV must only be set on furniture specifically designed to support a television. • Never use a TV that exceeds the weight ratings or size guidelines specified for the stand.
<ul style="list-style-type: none"> • Overloaded shelves 	<ul style="list-style-type: none"> • Risk of injury. • Top-heavy furniture can tip over. • Overloaded shelves can break. 	<ul style="list-style-type: none"> • Never exceed the weight limits shown in the instructions. • Work from the bottom to the top when loading shelves. • The bottom shelves can only support 25 lbs. while the top can support 95 lbs.
<ul style="list-style-type: none"> • Improperly moving the stand. 	<ul style="list-style-type: none"> • The stand can tip over or break if improperly moved. • Risk of injury. 	<ul style="list-style-type: none"> • Unload shelves from the top to the bottom before moving the stand. • Do not push the stand, especially on a carpeted floor. Have a friend help you lift the item and set it in place. • Do not lift the stand using the top shelf. Lift from the frame or leg assembly. • Remove the TV before moving the TV stand.

ONE-YEAR LIMITED WARRANTY - INSIGNIA

Definitions:

The Distributor* of Insignia branded products warrants to you, the original purchaser of this new Insignia-branded product ("Product"), that the Product shall be free of defects in the original manufacturer of the material or workmanship for a period of one (1) year from the date of your purchase of the Product ("Warranty Period").

For this warranty to apply, your Product must be purchased in the United States or Canada from a Best Buy branded or Future Shop branded retail store or online at www.bestbuy.com, www.bestbuy.ca, or www.futureshop.ca and is packaged with this warranty statement.

How long does the coverage last?

The Warranty Period lasts for 1 year (365 days) from the date you purchased the Product. Your purchase date is printed on the receipt you received with the Product.

What does this warranty cover?

During the Warranty Period, if the original manufacture of the material or workmanship of the Product is determined to be defective by an authorized Insignia repair center or store personnel, Insignia will (at its sole option): (1) repair the Product with new or rebuilt parts; or (2) replace the Product at no charge with new or rebuilt comparable products or parts. Products and parts replaced under this warranty become the property of Insignia and are not returned to you. If service of Products or parts are required after the Warranty Period expires, you must pay all labor and parts charges. This warranty lasts as long as you own your Insignia Product during the Warranty Period. Warranty coverage terminates if you sell or otherwise transfer the Product.

How to obtain warranty service?

If you purchased the Product at a Best Buy or Future Shop retail store location, please take your original receipt and the Product to any Best Buy or Future Shop store. Make sure that you place the Product in its original packaging or packaging that provides the same amount of protection as the original packaging. If you purchased the Product from a Best Buy or Future Shop online web site (www.bestbuy.com, www.bestbuy.ca, or www.futureshop.ca), mail your original receipt and the Product to the address listed on the web site. Make sure that you put the Product in its original packaging or packaging that provides the same amount of protection as the original packaging.

To obtain warranty service, in the United States call 1-888-BESTBUY, Canada call 1-866-BESTBUY for Future Shop call 1-800-663-2275. Call agents may diagnose and correct the issue over the phone.

Where is the warranty valid?

This warranty is valid only in the United States and Canada at Best Buy or Future Shop branded retail stores or websites to the original purchaser of the product in the county where the original purchase was made.

What does the warranty not cover?

This warranty does not cover:

- Customer instruction/education
- Installation
- Set up adjustments
- Cosmetic damage
- Damage due to weather, lightning, and other acts of God, such as power surges
- Accidental damage
- Misuse
- Abuse
- Negligence
- Commercial purposes/use, including but not limited to use in a place of business or in communal areas of a multiple dwelling condominium or apartment complex, or otherwise used in a place of other than a private home.

- Modification of any part of the Product, including the antenna
- Display panel damaged by static (non-moving) images applied for lengthy periods (burn-in).
- Damage due to incorrect operation or maintenance
- Connection to an incorrect voltage or power supply
- Attempted repair by any person not authorized by Insignia to service the Product
- Products sold "as is" or "with all faults"
- Consumables, including but not limited to batteries (i.e. AA, AAA, C etc.)
- Products where the factory applied serial number has been altered or removed
- Loss or Theft of this product or any part of the product
- Display panels containing up to three (3) pixel failures (dots that are dark or incorrectly illuminated) grouped in an area smaller than one tenth (1/10) of the display size or up to five (5) pixel failures throughout the display. (Pixel based displays may contain a limited number of pixels that may not function normally.)
- Failures or Damage caused by any contact including but not limited to liquids, gels or pastes.

REPAIR REPLACEMENT AS PROVIDED UNDER THIS WARRANTY IS YOUR EXCLUSIVE REMEDY FOR BREACH OF WARRANTY. INSIGNIA SHALL NOT BE LIABLE FOR ANY INCIDENTAL OR CONSEQUENTIAL DAMAGES FOR THE BREACH OF ANY EXPRESS OR IMPLIED WARRANTY ON THIS PRODUCT, INCLUDING, BUT NOT LIMITED TO, LOST DATA, LOSS OF USE OF YOUR PRODUCT, LOST BUSINESS OR LOST PROFITS. INSIGNIA PRODUCTS MAKES NO OTHER EXPRESS WARRANTIES WITH RESPECT TO THE PRODUCT, ALL EXPRESS AND IMPLIED WARRANTIES FOR THE PRODUCT, INCLUDING, BUT NOT LIMITED TO, ANY IMPLIED WARRANTIES OF AND CONDITIONS OF MERCHANTABILITY AND FITNESS FOR A PARTICULAR PURPOSE, ARE LIMITED IN DURATION TO THE WARRANTY PERIOD SET FORTH ABOVE AND NO WARRANTIES, WHETHER EXPRESS OR IMPLIED, WILL APPLY AFTER THE WARRANTY PERIOD. SOME STATES, PROVINCES AND JURISDICTIONS DO NOT ALLOW LIMITATIONS ON HOW LONG AN IMPLIED WARRANTY LASTS, SO THE ABOVE LIMITATION MAY NOT APPLY TO YOU. THIS WARRANTY GIVES YOU SPECIFIC LEGAL RIGHTS, AND YOU MAY ALSO HAVE OTHER RIGHTS, WHICH VARY FROM STATE TO STATE OR PROVINCE TO PROVINCE.

Contact Insignia:

For customer service please call 1-877-467-4289

www.insigniaproducts.com

INSIGNIA is a trademark of Best Buy and its affiliated companies.

Registered in some countries.

Distributed by Best Buy Purchasing, LLC

7601 Penn Ave South, Richfield, MN 55423 U.S.A.

©2014 Best Buy. All rights reserved.

Made in USA with U.S. and imported materials

INSIGNIA™

Certificate of Conformity

1. This certificate applies to the Insignia Product identified by this instruction booklet.
2. This certificate applies to the compliance of this product with the CPSC Ban on Lead-Containing Paint (16 CFR 1303).
3. This product was manufactured for:
Insignia
4. Date of Manufacture: _____

Lot number: 361832

1-877-467-4289 (U.S. and Canada) or 01-800-926-3000 (Mexico)
www.insigniaproducts.com

INSIGNIA is a trademark of Best Buy and its affiliated companies.

Registered in some countries.

Distributed by Best Buy Purchasing, LLC

7601 Penn Ave South, Richfield, MN 55423 U.S.A.

©2014 Best Buy. All rights reserved.

Made in USA with U.S. and imported materials

Download from Www.Somanuals.com. All Manuals Search And Download.

V3 ENGLISH
14-0647

Free Manuals Download Website

<http://myh66.com>

<http://usermanuals.us>

<http://www.somanuals.com>

<http://www.4manuals.cc>

<http://www.manual-lib.com>

<http://www.404manual.com>

<http://www.luxmanual.com>

<http://aubethermostatmanual.com>

Golf course search by state

<http://golfingnear.com>

Email search by domain

<http://emailbydomain.com>

Auto manuals search

<http://auto.somanuals.com>

TV manuals search

<http://tv.somanuals.com>