

# User Guide



MP3 Speaker Dock

**NS-IPSD4**



## Contents

---

Welcome .....	1
Important safety instructions .....	1
Features .....	1
Box contents: .....	1
Top view .....	2
Bottom view .....	3
Remote control .....	4
Setting up your speaker dock .....	4
Connecting the power .....	4
Installing the backup batteries .....	4
Replacing the remote control battery .....	5
Docking an iPod with your speaker dock .....	5
Using your speaker dock .....	5
Playing your iPod on your speaker dock .....	5
Setting the clock .....	5
Connecting your speaker dock to a TV or stereo system .....	6
Connecting an external audio source to your speaker dock .....	6
Appendix .....	6
Legal notices .....	6
One-Year Limited Warranty .....	7




# Insignia NS-IPSD4 MP3 Speaker Dock

## Welcome

Congratulations on your purchase of a high-quality Insignia product. Your NS-IPSD4 represents the state of the art in MP3 speaker docks and is designed for reliable and trouble-free performance.

## Important safety instructions

- 1 Read these instructions.
- 2 Keep these instructions.
- 3 Heed all warnings.
- 4 Follow all instructions.
- 5 Do not use this apparatus near water.
- 6 Clean only with dry cloth.
- 7 Do not block any ventilation openings. Install in accordance with the manufacturer's instructions.
- 8 Do not install near any heat sources such as radiators, heat registers, stoves, or other apparatus (including amplifiers) that produce heat.
- 9 Do not defeat the safety purpose of the polarized or grounding-type plug. A polarized plug has two blades with one wider than the other. A grounding type plug has two blades and a third grounding prong. The wide blade or the third prong are provided for your safety. If the provided plug does not fit into your outlet, consult an electrician for replacement of the obsolete outlet.
- 10 Protect the power cord from being walked on or pinched particularly at plugs, convenience receptacles, and the point where they exit from the apparatus.
- 11 Only use attachments/accessories specified by the manufacturer.
- 12 Use only with the cart, stand, tripod, bracket, or table specified by the manufacturer, or sold with the apparatus. When a cart is used, use caution when moving the cart/apparatus combination to avoid injury from tip-over. 
- 13 Unplug this apparatus during lightning storms or when unused for long periods of time.
- 14 Refer all servicing to qualified service personnel. Servicing is required when the apparatus has been damaged in any way, such as power-supply cord or plug is damaged, liquid has been spilled or objects have fallen into the apparatus, the apparatus has been exposed to rain or moisture, does not operate normally, or has been dropped.
- 15 To reduce the risk of fire or electric shock, do not expose this device to rain, moisture, dripping, or splashing, and no objects filled with liquids, such as vases, shall be placed on it.
- 16 An apparatus with a three-prong, grounding-type plug is a Class I apparatus, which needs to be grounded to prevent possible electric shock. Make sure that you connect this Class I device to a grounding-type, three-prong outlet.
- 17 The wall plug is the disconnecting device. The plug must remain readily operable.
- 18 Batteries should not be exposed to excessive heat such as sunshine, fire, or the like.

### Warning

Danger of explosion if battery is incorrectly replaced. Replace only with the same or equivalent type.

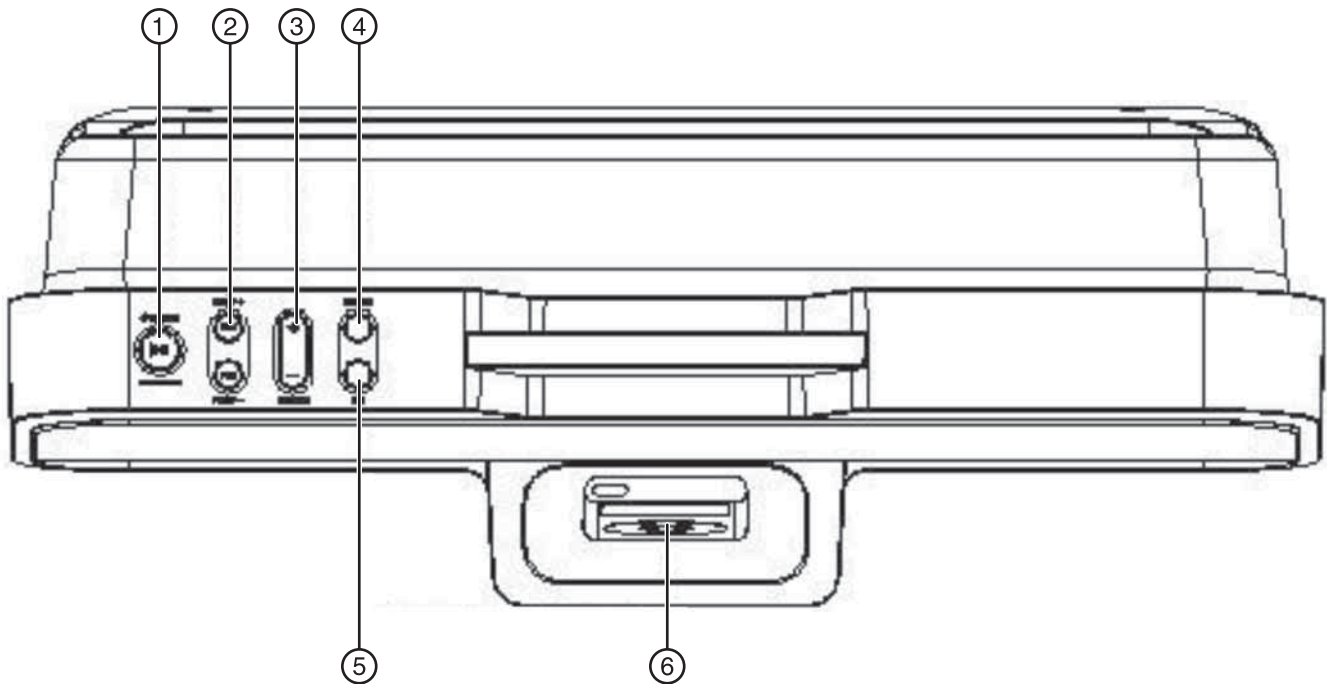
## Features

- Certified iPod connector installed for iPod dock
- Recharge circuit for iPod/mini/nano/ photo/video
- Includes docking brackets to fit iPod players
- Controls connected iPod
- Digital volume control
- 3.5mm type Aux-In jack for shuffle and other audio players
- 3.5mm type Aux-Out jack
- See-through LCD display
- Built-in AC line cord
- Battery backup for clock (2 x AAA not included)
- Full-feature remote control

### Box contents:

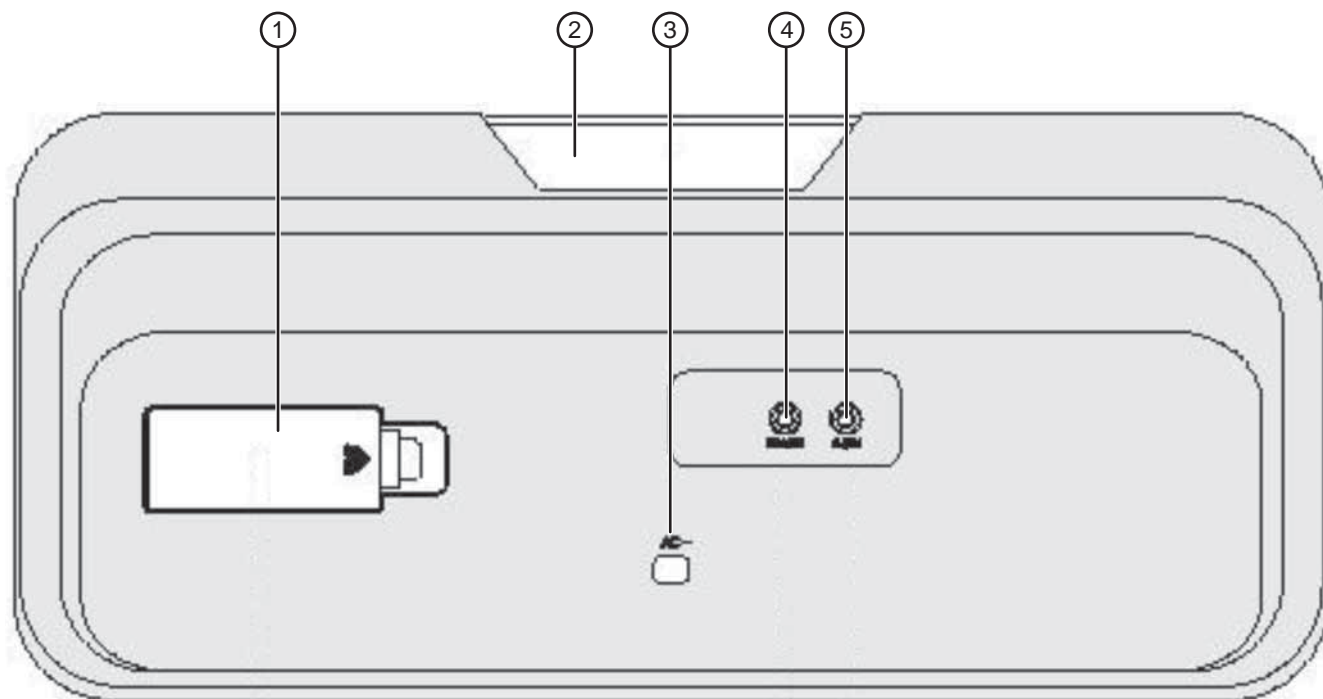
- Speaker dock
- iPod docking brackets
- Remote control with battery
- *User Guide*
- *Quick Start Guide*

## Top view



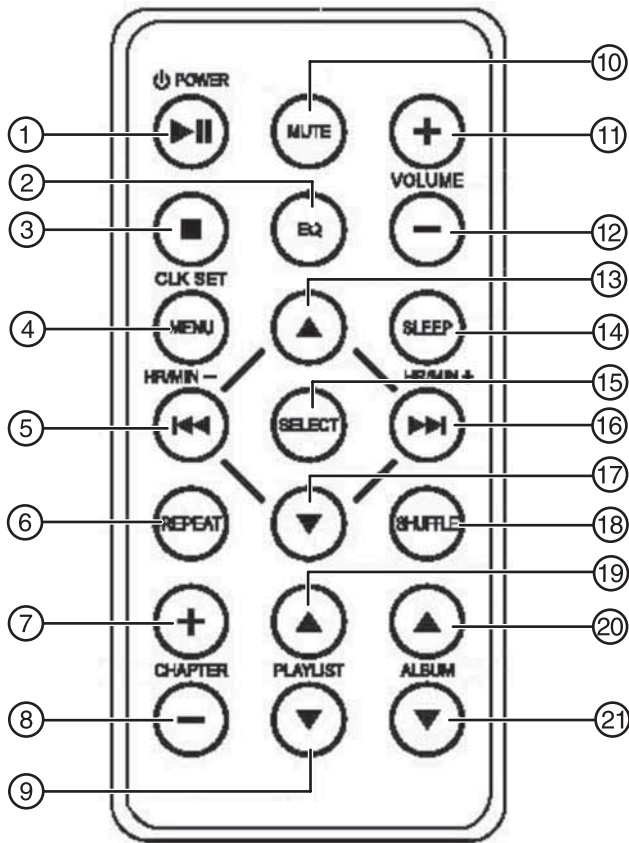
#	Description	Function
1	<b>POWER/play/pause</b> button	Press to turn the MP3 dock on and off. Press to play or pause a docked iPod.
2	<b>SKIP+ /&gt;&gt; and SKIP- /&lt;&lt;</b> buttons	Press <b>SKIP+</b> to skip to the next media file. Press <b>SKIP-</b> button to skip to the previous media file. Press and hold the <b>SKIP+</b> button to search forward through an individual audio or video file on a docked iPod. Press and hold the <b>SKIP-</b> button to search backward through an individual audio or video file on a docked iPod. When setting the clock, press the <b>SKIP+</b> and <b>SKIP-</b> buttons to adjust the hour and minute.
3	<b>VOLUME +/-</b> button	Press to increase or decrease the volume.
4	<b>CLK SET</b> button	With the speaker dock turned off, press and hold to set the clock.
5	<b>EQ</b> (equalizer) button	Press to cycle through the available preset sound modes, including <b>Rock, Classic, Jazz, and Pop.</b>
6	Docking station	Connect the iPod to the speaker dock here.

**Bottom view**



#	Description	Function
1	Backup battery compartment	Insert two AAA batteries into this compartment to back up the clock.
2	LCD display	Displays the time and general unit functions.
3	AC cord	Plug the cord into an AC power outlet to power the speaker dock.
4	<b>AUX Out</b> port	Plug an external audio player, such as a stereo or amplifier, into this port.
5	<b>AUX In</b> port	Plug an external audio source into the 3.5 mm port.

## Remote control



#	Description	Function
1	<b>Power/▶  </b> (play/pause) button	Press to turn the power on or off. Press to play or pause a docked iPod.
2	<b>EQ</b> button	Press to cycle through the available preset sound modes. Choices include <b>Rock, Classic, Jazz,</b> and <b>Pop.</b>
3	<b>■</b> (stop) button	Press to stop playback.
4	<b>MENU/CLK SET</b> button	Press to cycle through a docked iPod's menus. With the speaker dock powered off, press and hold to set the clock.
5	<b>◀◀</b> (SKIP-)/ <b>HR/MIN-</b> button	Press to skip to the previous media file. Press and hold to search backwards through an audio or video file on a docked iPod. When setting the clock, press to adjust the hour and minute.
6	<b>REPEAT</b> button	Press to repeat the current audio track. Press twice to repeat the entire album or playlist. Press three times to turn the repeat option off.
7	<b>CHAPTER+</b> button	Press to cycle forward through the movie chapters on an iPod.
8	<b>CHAPTER-</b> button	Press to cycle backward through the movie chapters on an iPod.
9	<b>PLAYLIST ▼</b> button	Press to cycle down through the available playlists on a docked iPod.
10	<b>MUTE</b> button	Press to mute the sound. Press again to restore the sound.
11	<b>VOLUME+</b> button	Press to increase the volume.
12	<b>VOLUME-</b> button	Press to decrease the volume.
13	<b>MENU ▲</b> button	Press to navigate up through a docked iPod.
14	<b>SLEEP</b> button	Press repeatedly to set the sleep timer. The time increases in 10 minute increments.
15	<b>SELECT</b> button	Press to make selections on a docked iPod.

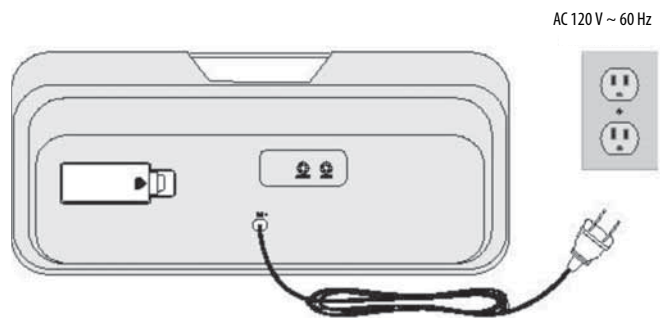
#	Description	Function
16	<b>▶▶</b> (SKIP+)/ <b>HR/MIN+</b> button	Press to skip to the next media file. Press and hold to search forwards through an audio or video file on a docked iPod. When setting the clock, press to adjust the hour and minute.
17	<b>MENU ▼</b> button	Press to navigate down through a docked iPod.
18	<b>SHUFFLE</b> button	Press to turn the shuffle option on or off.
19	<b>PLAYLIST ▲</b> button	Press to cycle up through the available playlists on a docked iPod.
20	<b>ALBUM ▲</b> button	Press to cycle up through the available albums on a docked iPod.
21	<b>ALBUM ▼</b> button	Press to cycle down through the available albums on a docked iPod.

## Setting up your speaker dock

### Connecting the power

#### To connect the power to your speaker dock:

- Plug the power cord into a 120 V/60 Hz AC wall outlet.



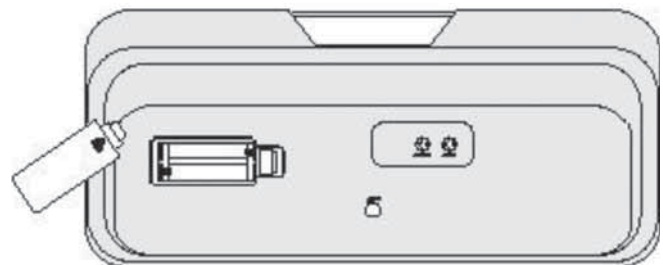
### Installing the backup batteries

#### Note

These batteries are for clock/alarm backup only, in case of a power outage.

#### To install the backup batteries:

- 1 Open the backup battery compartment on the bottom of your speaker dock.



- 2 Insert two AAA batteries, noting the positive (+) and negative (-) markings in the compartment.
- 3 Replace the battery compartment cover.

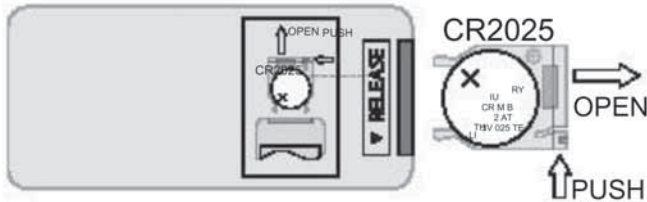
## Replacing the remote control battery

### Caution

There is a danger of explosion if the remote control batteries are not installed correctly. Replace only with the same or equivalent (CR2025) battery.

#### To replace the remote control batteries:

- 1 Turn the remote control over.
- 2 Push the locking tab, then pull out the battery tray.



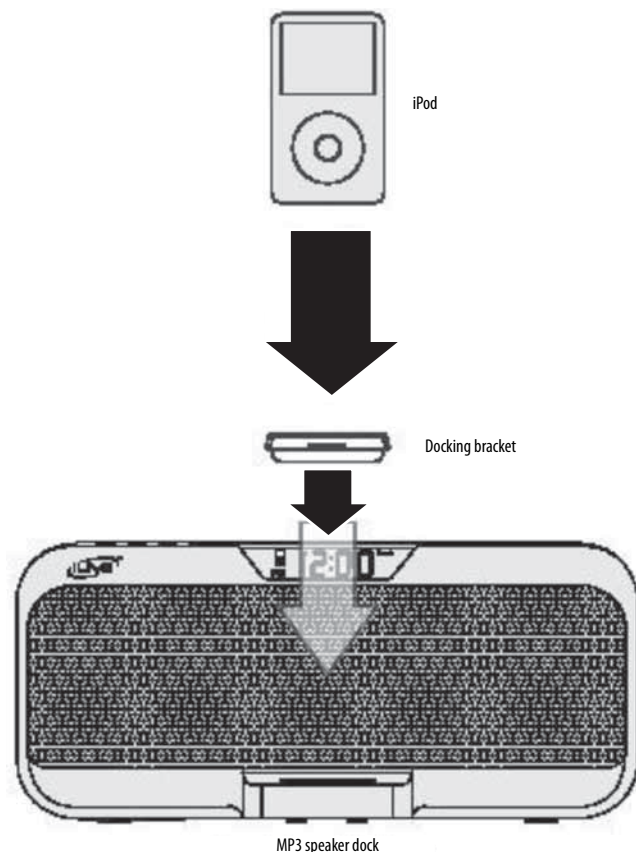
- 3 Remove the old battery and dispose of it in an approved manner.
- 4 Insert the new battery into the battery tray with the positive (+) side up, then push the battery tray into the remote control.

## Docking an iPod with your speaker dock

#### To dock an iPod with your speaker dock:

- 1 Locate the numbered iPod bracket that fits your iPod.

Each included bracket has a number on it, indicating which iPod model the bracket is compatible with. See the bracket chart in the Appendix on page 6 to identify which bracket is needed.



- 2 Snap the bracket into place over the iPod connector in the speaker dock.

All brackets will only fit onto the dock one way. When inserting an iPod nano (first or second generation), slide the dock connection on the unit so that it matches the opening on the iPod.

- 3 Connect the iPod to the iPod bracket on the speaker dock.

After the iPod is connected to the speaker dock, the unit will charge the iPod.

## Using your speaker dock

### Playing your iPod on your speaker dock

#### To play your iPod on your speaker dock:

- 1 Connect your iPod to the speaker dock (see "Docking an iPod with your speaker dock" on page 5)
- 2 Press **POWER/▶||**, to turn on the speaker dock.
- 3 Press **POWER/▶||** again to begin playing your iPod.
- 4 Make the following adjustments, according to your taste:
  - Press **VOLUME +** or **-** to adjust the volume.
  - Press **EQ** to cycle through the available sound preset modes. Choices include **ROCK**, **CLASSIC**, **JAZZ**, or **POP**.
  - Press **MUTE** to mute the sound. Press again to restore the sound to the previous setting.
- 5 You can also select the music you want to listen to by doing the following:
  - Press **SKIP+/▶▶|** or **SKIP-/|◀◀** to skip tracks forward or back, or press and hold **SKIP+/▶▶|** or **SKIP-/|◀◀** to search through individual tracks.
  - Press **CHAPTER**, **ALBUM**, or **PLAYLIST** to navigate through the chapters, albums, or playlists on the docked iPod.
  - Press **MENU ▲** or **MENU ▼**, then **SELECT** to navigate the iPod's menu and make selections.
  - Press **SHUFFLE** to turn on the shuffle option.
  - Press **REPEAT** once to repeat the current track, or twice to repeat the entire album or playlist.
- 6 To turn the speaker dock off, press **POWER/▶||**.

### Setting the clock

#### To set the clock:

- 1 Press and hold **CLK SET** until the display flashes.
- 2 Press **SKIP+/▶▶|** or **SKIP-/|◀◀** to select the 12 or 24 hour clock, then press **CLK SET**.
- 3 Press **SKIP+/▶▶|** or **SKIP-/|◀◀** to adjust the hour, then press **CLK SET**.
- 4 Press **SKIP+/▶▶|** or **SKIP-/|◀◀** to adjust the minute, then press **CLK SET** to exit.

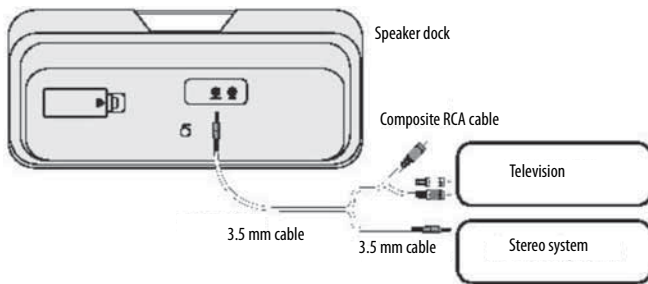


## Connecting your speaker dock to a TV or stereo system

When connecting two products using an RCA cable, match the colored ports with the same colored connector (red to red, white to white, and yellow to yellow).

### To connect your speaker dock to a TV or stereo system:

- 1 Plug one end of a 3.5 mm cable (not included) or a 3.5 mm to RCA Cable (not included) into the AUX (Auxiliary) Output jack on your speaker dock.
- 2 Plug the other end of the cable into the audio input/line input on the television or stereo system.



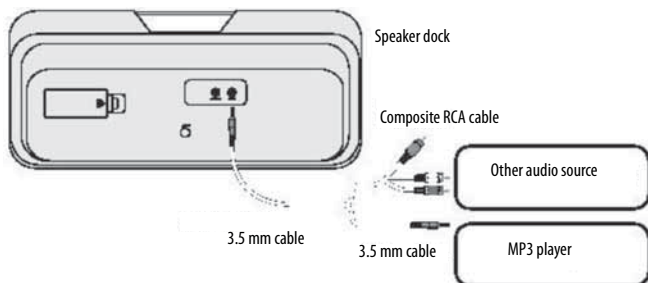
- 3 Set the television or stereo system to the appropriate audio input channel.
- 4 Turn your speaker dock on. Audio played from your speaker dock will now be heard on the connected television or stereo system.

## Connecting an external audio source to your speaker dock

When connecting two products using an RCA cable, match the colored ports with the same colored connector (red to red, white to white, and yellow to yellow).

### To connect an external audio source to your speaker dock:

- 1 Plug one end of a 3.5 mm cable (not included) or a 3.5 mm to RCA Cable (not included) into the AUX (Auxiliary) Input jack on your speaker dock.
- 2 Plug the other end of the cable into the audio, line, or headphone output on an MP3 player or other audio source.



- 3 Turn your speaker dock on.
- 4 Remove any docked iPods from your speaker dock.

- 5 Audio played from the MP3 player or other external audio source will now be heard on your speaker dock.
- 6 Adjust the volume to a comfortable level. If you used the headphone output from the external audio source, adjust the volume with the source's volume control.

## Appendix

### Compatibility information and Chart

NS-IPSD4

Please note: For additional iPod brackets, please contact customer service. Contact information for customer service can be found on the back page of the instruction manual.

iPod Model	Play & Charge Compatibility	Included Bracket
iPod mini 4GB 6GB	●	
iPod 4th generation 20GB	●	6
iPod 4th generation 40GB	●	7
iPod 4th generation (color display) 20GB 30GB	●	6
iPod 4th generation (color display) 40GB 60GB	●	7
iPod shuffle 1st generation 512MB 1GB		
iPod nano 1st generation 1GB 2GB 4GB	●	8
iPod 5th generation (video) 30GB	●	9
iPod 5th generation (video) 60GB 80GB	●	10
iPod nano 2nd generation (aluminum) 2GB 4GB 8GB	●	8
iPod shuffle 2nd generation 1GB		
iPod classic 80GB	●	9
iPod classic 160GB	●	10
iPod nano 3rd generation (video) 4GB 8GB	●	13
iPod touch 1st generation 8GB 16GB 32GB	●	14
iPhone 4GB 8GB 16GB	Airplane Mode Only	
iPhone 3G 8GB 16GB	Airplane Mode Only	
iPod nano 4th generation (video) 8GB 16GB	●	8
iPod touch 2nd generation 8GB 16GB 32GB	●	14

## Legal notices

### Canada ICES-003 statement

This Class B digital apparatus complies with Canadian ICES-003. Cet appareil numérique de la classe B est conforme à la norme NMB-003 du Canada.

"Made for iPod" means that an electronic accessory has been designed to connect specifically to iPod and has been certified by the developer to meet Apple performance standards.

Apple is not responsible for the operation of this device or its compliance with safety and regulatory standards.

iPod is a trademark of Apple Inc., registered in the U.S. and other countries.

## One-Year Limited Warranty

Insignia Products ("Insignia") warrants to you, the original purchaser of this new **NS-IPSD4** ("Product"), that the Product shall be free of defects in the original manufacture of the material or workmanship for a period of one (1) year from the date of your purchase of the Product ("Warranty Period"). This Product must be purchased from an authorized dealer of Insignia brand products and packaged with this warranty statement. This warranty does not cover refurbished Product. If you notify Insignia during the Warranty Period of a defect covered by this warranty that requires service, terms of this warranty apply.

### How long does the coverage last?

The Warranty Period lasts for 1 year (365 days) from the date you purchased the Product. The purchase date is printed on the receipt you received with the Product.

### What does this warranty cover?

During the Warranty Period, if the original manufacture of the material or workmanship of the Product is determined to be defective by an authorized Insignia repair center or store personnel, Insignia will (at its sole option): (1) repair the Product with new or rebuilt parts; or (2) replace the Product at no charge with new or rebuilt comparable products or parts. Products and parts replaced under this warranty become the property of Insignia and are not returned to you. If service of Products or parts are required after the Warranty Period expires, you must pay all labor and parts charges. This warranty lasts as long as you own your Insignia Product during the Warranty Period. Warranty coverage terminates if you sell or otherwise transfer the Product.

### How to obtain warranty service?

If you purchased the Product at a retail store location, take your original receipt and the Product to the store you purchased it from. Make sure that you place the Product in its original packaging or packaging that provides the same amount of protection as the original packaging. If you purchased the Product from an online web site, mail your original receipt and the Product to the address listed on the web site. Make sure that you put the Product in its original packaging or packaging that provides the same amount of protection as the original packaging.

To obtain in-home warranty service for a television with a screen 25 inches or larger, call 1-888-BESTBUY. Call agents will diagnose and correct the issue over the phone or will have an Insignia-approved repair person dispatched to your home.

### Where is the warranty valid?

This warranty is valid only to the original purchaser of the product in the United States, Canada, and Mexico.

### What does the warranty not cover?

This warranty does not cover:

- Customer instruction
- Installation
- Set up adjustments
- Cosmetic damage
- Damage due to acts of God, such as lightning strikes
- Accident
- Misuse
- Abuse
- Negligence
- Commercial use
- Modification of any part of the Product, including the antenna
- Plasma display panel damaged by static (non-moving) images applied for lengthy periods (burn-in).

This warranty also does not cover:

- Damage due to incorrect operation or maintenance
- Connection to an incorrect voltage supply
- Attempted repair by anyone other than a facility authorized by Insignia to service the Product
- Products sold as is or with all faults
- Consumables, such as fuses or batteries
- Products where the factory applied serial number has been altered or removed

REPAIR REPLACEMENT AS PROVIDED UNDER THIS WARRANTY IS YOUR EXCLUSIVE REMEDY. INSIGNIA SHALL NOT BE LIABLE FOR ANY INCIDENTAL OR CONSEQUENTIAL DAMAGES FOR THE BREACH OF ANY EXPRESS OR IMPLIED WARRANTY ON THIS PRODUCT, INCLUDING, BUT NOT LIMITED TO, LOST DATA, LOSS OF USE OF YOUR PRODUCT, LOST BUSINESS OR LOST PROFITS. INSIGNIA PRODUCTS MAKES NO OTHER EXPRESS WARRANTIES WITH RESPECT TO THE PRODUCT, ALL EXPRESS AND IMPLIED WARRANTIES FOR THE PRODUCT, INCLUDING, BUT NOT LIMITED TO, ANY IMPLIED WARRANTIES OF AND CONDITIONS OF MERCHANTABILITY AND FITNESS FOR A PARTICULAR PURPOSE, ARE LIMITED IN DURATION TO THE WARRANTY PERIOD SET FORTH ABOVE AND NO WARRANTIES, WHETHER EXPRESS OR IMPLIED, WILL APPLY AFTER THE WARRANTY PERIOD. SOME STATES, PROVINCES AND JURISDICTIONS DO NOT ALLOW LIMITATIONS ON HOW LONG AN IMPLIED WARRANTY LASTS, SO THE ABOVE LIMITATION MAY NOT APPLY TO YOU. THIS WARRANTY GIVES YOU SPECIFIC LEGAL RIGHTS, AND YOU MAY ALSO HAVE OTHER RIGHTS, WHICH VARY FROM STATE TO STATE OR PROVINCE TO PROVINCE.

Contact Insignia:

For customer service please call 1-877-467-4289  
www.insignia-products.com

Distributed by Best Buy Purchasing, LLC  
7601 Penn Avenue South, Richfield, Minnesota, U.S.A.  
55423-3645

© 2009 Best Buy Enterprise Services, Inc.

All rights reserved. INSIGNIA is a trademark of Best Buy Enterprise Services, Inc. Registered in some countries. All other products and brand names are trademarks of their respective owners.



[www.insigniaproducts.com](http://www.insigniaproducts.com) (877) 467-4289

Distributed by Best Buy Purchasing, LLC  
7601 Penn Avenue South, Richfield, MN USA 55423-3645

© 2009 Best Buy Enterprise Services, Inc.

All rights reserved. INSIGNIA is a trademark of Best Buy Enterprise Services, Inc. Registered in some countries.  
All other products and brand names are trademarks of their respective owners.

ENGLISH  
09-0663

## Free Manuals Download Website

<http://myh66.com>

<http://usermanuals.us>

<http://www.somanuals.com>

<http://www.4manuals.cc>

<http://www.manual-lib.com>

<http://www.404manual.com>

<http://www.luxmanual.com>

<http://aubethermostatmanual.com>

Golf course search by state

<http://golfingnear.com>

Email search by domain

<http://emailbydomain.com>

Auto manuals search

<http://auto.somanuals.com>

TV manuals search

<http://tv.somanuals.com>