

User Guide

INSIGNIA™

MP3 Speaker System


NS-IPSD2



Contents

Important safety instructions	1
Introduction	2
Features	2
Package contents	2
Front with cradle closed	2
Front with cradle open	3
Back	4
Setting up your MP3 speaker system	4
Installing the batteries	4
Connecting the AC power adapter	4
Using your MP3 speaker system	5
Inserting an iPod	5
Connecting an audio device	5
Troubleshooting	6
Specifications	6
iPod compatibility	6
Legal notices	6
One-year limited warranty	7

Important safety instructions

- 1 Read these instructions.
- 2 Keep these instructions.
- 3 Heed all warnings.
- 4 Follow all instructions.
- 5 Do not use this apparatus near water.
- 6 Clean only with a dry cloth.
- 7 Do not block any ventilation openings. Install in accordance with the manufacturer's instructions.
- 8 Do not install near any heat sources such as radiators, heat registers, stoves, or other apparatus (including amplifiers) that produce heat.
- 9 Do not defeat the safety purpose of the polarized or grounding-type plug. A polarized plug has two blades with one wider than the other. A grounding type plug has two blades and a third grounding prong. The wide blade or the third prong are provided for your safety. If the provided plug does not fit into your outlet, consult an electrician for replacement of the obsolete outlet.
- 10 Protect the power cord from being walked on or pinched particularly at plugs, convenience receptacles, and the point where they exit from the apparatus.
- 11 Only use attachments/accessories specified by the manufacturer.
- 12 Use only with the cart, stand, tripod, bracket, or table specified by the manufacturer, or sold with the apparatus. When a cart is used, use caution when moving the cart/apparatus combination to avoid injury from tip-over. 
- 13 Unplug this apparatus during lightning storms or when unused for long periods of time.
- 14 Refer all servicing to qualified service personnel. Servicing is required when the apparatus has been damaged in any way, such as power-supply cord or plug is damaged, liquid has been spilled or objects have fallen into the apparatus, the apparatus has been exposed to rain or moisture, does not operate normally, or has been dropped.
- 15 To reduce the risk of fire or electric shock, do not expose this device to rain, moisture, dripping, or splashing, and no objects filled with liquids, such as vases, shall be placed on it.
- 16 An apparatus with a three-prong, grounding-type plug is a Class I apparatus, which needs to be grounded to prevent possible electric shock. Make sure that you connect this Class I device to a grounding-type, three-prong outlet.
- 17 The wall plug is the disconnecting device. The plug must remain readily operable.
- 18 Batteries should not be exposed to excessive heat such as sunshine, fire, or the like.

Warning

Danger of explosion if battery is incorrectly replaced. Replace only with the same or equivalent type.

Insignia NS-IPSD2 MP3 Speaker System

Introduction

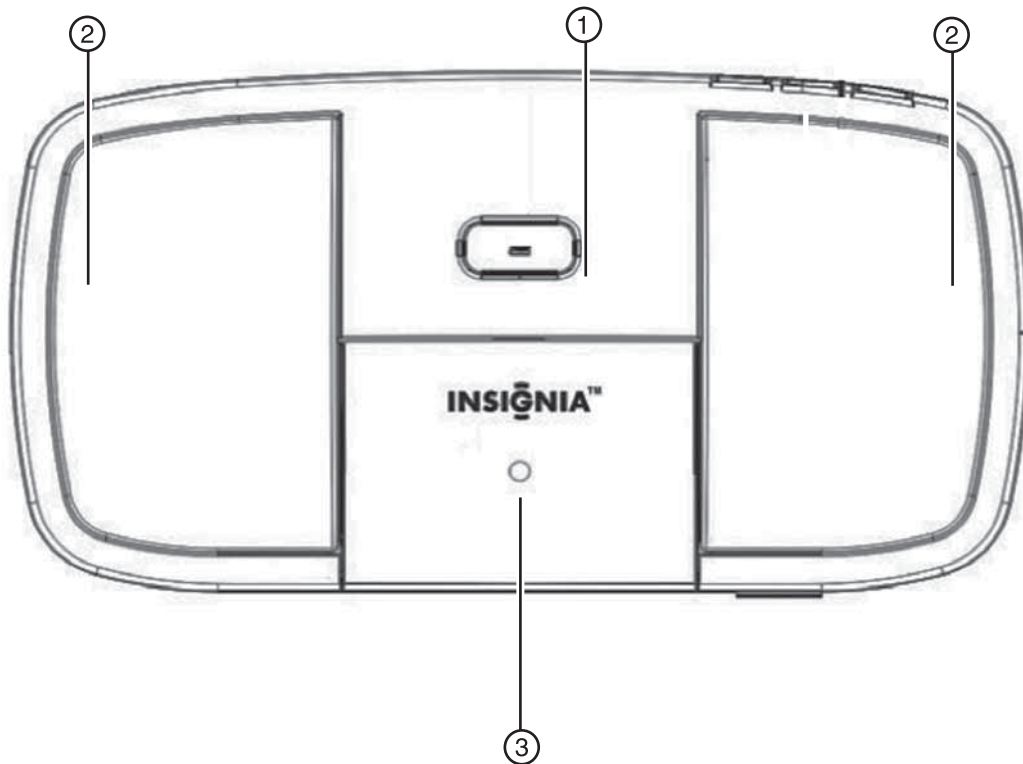
Congratulations on your purchase of a high-quality Insignia product. Your NS-IPSD2 represents the state of the art in MP3 speaker system design and is designed for reliable and trouble-free performance.

Features

Package contents

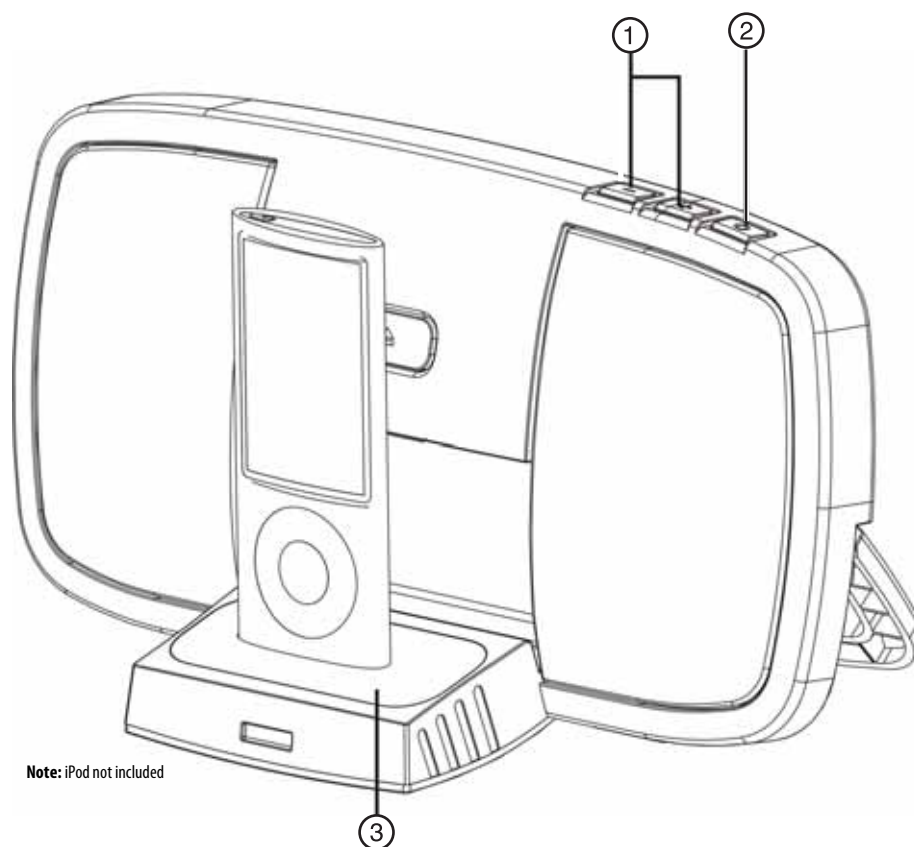
- MP3 speaker system
- AC power adapter
- 8 iPod adapters
- Soft carrying pouch

Front with cradle closed



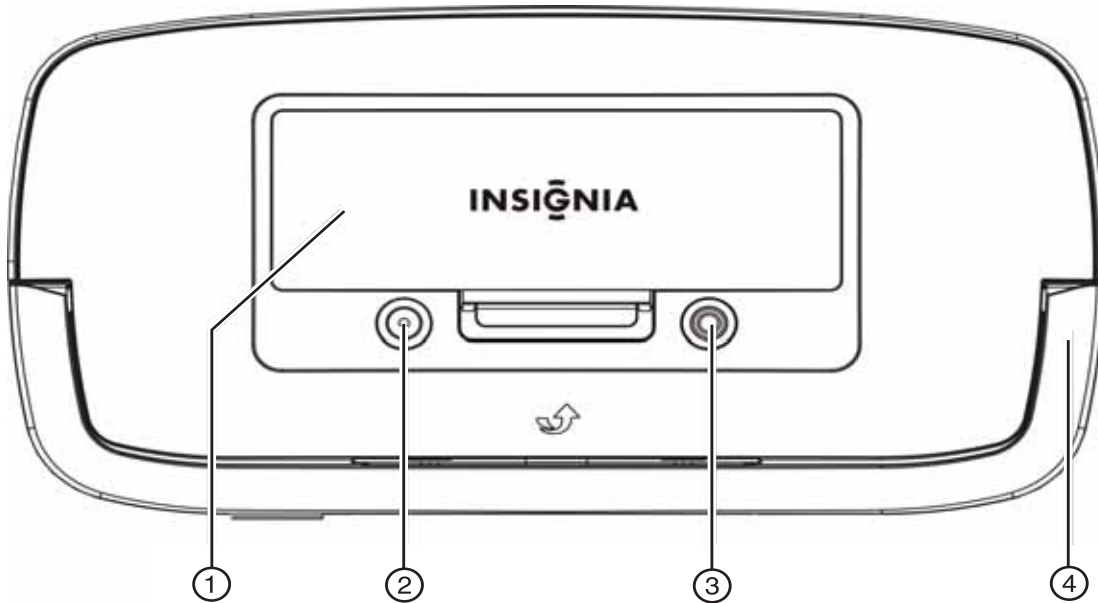
#	Item	Description
①	Open dock button	Press to open the dock.
②	Speakers	Produce sound.
③	Dock	Unfold the dock to insert the adapter and iPod.

Front with cradle open



#	Item	Description
①	Volume up/down buttons	Press to increase or decrease the volume.
②	Power button	Press to turn your speaker system on or off. When your speaker system is turned on, the LED (below the power button) lights.
③	iPod dock	Insert your iPod into the correct adapter, then insert the iPod and adapter into this dock.

Back



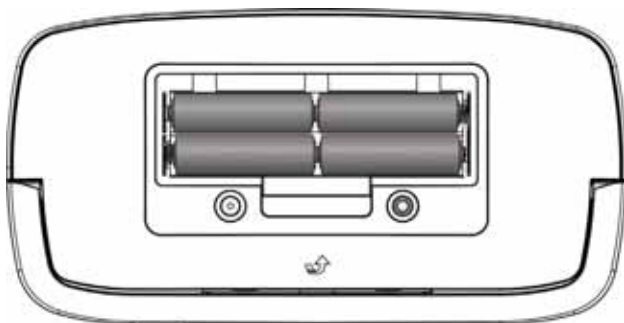
#	Item	Description
①	Battery compartment	Insert batteries into this compartment.
②	DC IN	Connect the AC power adapter to this jack and to a power outlet.
③	AUX IN	Connect an audio device to this jack.
④	Stand	Unfold the stand to set your speaker system in an upright position.

Setting up your MP3 speaker system

Installing the batteries

To install the batteries:

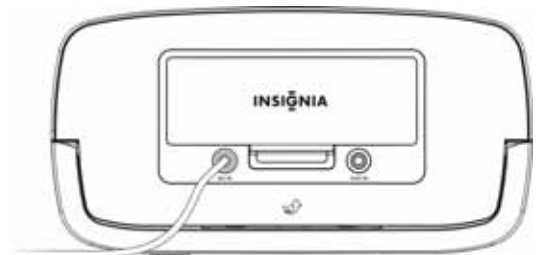
- 1 Remove the battery compartment cover.



- 2 Insert four AA batteries into the battery compartment. Make sure that the + and - symbols on the batteries align with the + and - symbols inside the battery compartment.
- 3 Replace the cover.

Connecting the AC power adapter

- Connect the **AC** power adapter to the **DC IN** jack on the back of your speaker system.



Using your MP3 speaker system

Inserting an iPod

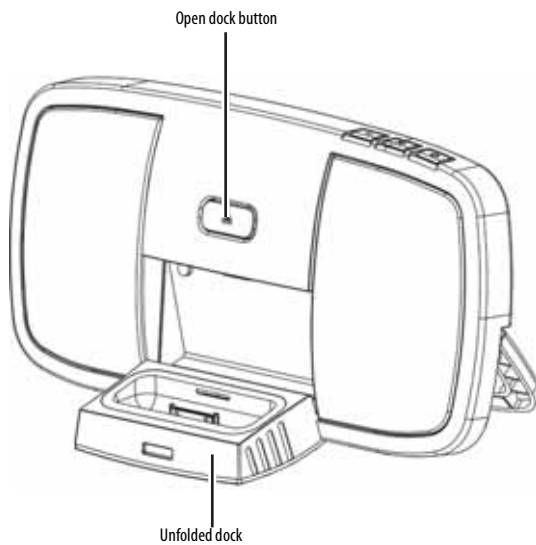
To insert an iPod:

- 1 Make sure that batteries are installed in the speaker system or the AC power adapter is connected to the speaker system and a power outlet.

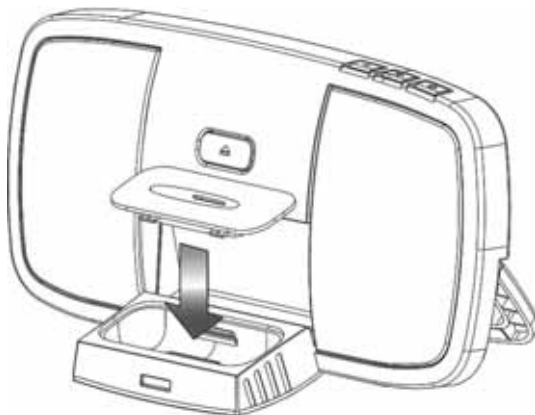
Notes

Battery life is about eight (8) hours. You can use the AC power adapter when the batteries are depleted.

- 2 Press the open dock button on the front of your speaker system to unfold the dock.

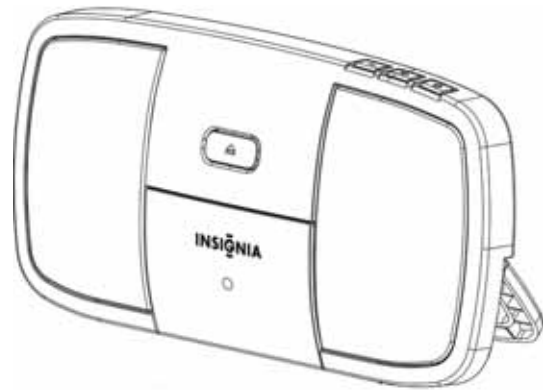


- 3 Select the correct adapter, then insert it into the iPod dock. Adapters are labeled with the names of the iPod models.



- 4 Insert the iPod into the adapter.

- 5 Pull the stand out to set the speaker system upright.



- 6 Press the power button. The LED lights.
- 7 Press the volume up or volume down button to adjust the volume.
- 8 Press the power button again to turn off your speaker system.

Connecting an audio device

You can connect an audio device to the AUX in jack.

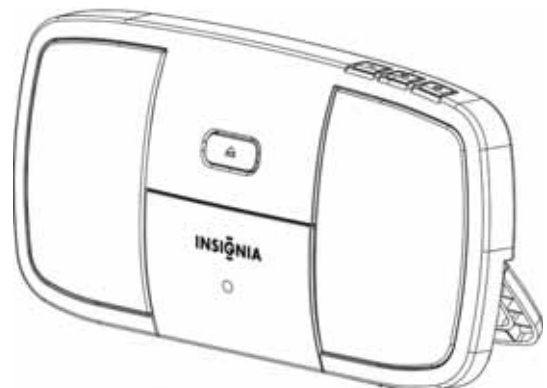
To connect an audio device:

- 1 Make sure that batteries are installed in the speaker system or the AC power adapter is connected to the speaker system and a power outlet.

Notes

Battery life is about eight (8) hours. You can use the AC power adapter when the batteries are depleted.

- 2 Connect a 35mm audio cable to the **AUX** in jack on the back of your speaker system and to the audio out jack on the audio device.
- 3 Pull the stand out to set the speaker system upright.



- 4 Press the power button. The LED lights.
- 5 Press the volume up or volume down button to adjust the volume.
- 6 Press the power button again to turn off your speaker system.

Troubleshooting

Problem	Solution
My iPod is in the dock and playing, but I can't hear any music.	<ul style="list-style-type: none"> • Make sure that the speakers are turned on. When the speakers are turned on, the power LED lights red. • Adjust the volume level on the speakers using the volume buttons. • Adjust the volume from the iPod controls. • Turn off the Sound Check feature on your iPod. • Make sure that batteries are installed and have a charge, or make sure that the AC adapter is connected to the speaker system and an power outlet.
There isn't an adapter for my iPod.	<ul style="list-style-type: none"> • If you have a newer iPod, use the universal dock adapter that came with your iPod when you purchased it.

Specifications

Output power	2W × 2
System acoustic frequency range	150 ~ 20,000 Hz
Power supply	AC adapter: AC 110-240V; DC:5.5V1.6A AA alkaline batteries(4) (not included)
Battery life	≥ 8 hours
Dimensions L × W × H	8.5 × 2.0 × 4.4 inches (216 × 50 × 111.4 mm)
Weight	12.35 oz. (350 g)

iPod compatibility

Your speaker system works with the following:

- 1G Nano
- 2G Nano
- 3G Nano
- 4G Nano
- 5G Nano
- Classic (80GB, 120GB, 160 GB)
- 5G (30GB, 60 GB, 80 GB)
- 1G Touch
- 2G Touch
- 3G Touch

Legal notices

FCC Part 15

This device complies with Part 15 of the FCC Rules. Operation of this product is subject to the following two conditions: (1) this device may not cause harmful interference, and (2) this device must accept any interference received, including interference that may cause undesired operation.

This equipment has been tested and found to comply within the limits for a class B digital device, pursuant to Part 15 of the FCC Rules. These limits are designed to provide reasonable protection against harmful interference in a residential installation. This equipment generates, uses, and can radiate radio frequency energy and, if not installed and used in accordance with the instructions, may cause harmful interference to radio communications. However, there is no guarantee that interference will not occur in a particular installation. If this equipment does cause harmful interference to radio or television reception, which can be determined by turning the equipment off and on, the user is encouraged to try to correct the interference by one or more of the following measures:

- Reorient or relocate the receiving antenna.
- Increase the separation between the equipment and receiver.
- Connect the equipment into an outlet on a circuit different from that to which the receiver is connected.
- Consult the dealer or an experienced technician for help.

FCC warning

Changes or modifications not expressly approved by the party responsible for compliance with the FCC Rules could void the user's authority to operate this equipment.

Canada ICES-003 statement

This Class B digital apparatus complies with Canadian ICES-003.

One-year limited warranty

Insignia Products ("Insignia") warrants to you, the original purchaser of this new product ("Product"), that the Product shall be free of defects in the original manufacture of the material or workmanship for a period of one (1) year from the date of your purchase of the Product ("Warranty Period"). This Product must be purchased from an authorized dealer of Insignia brand products and packaged with this warranty statement. This warranty does not cover refurbished Product. If you notify Insignia during the Warranty Period of a defect covered by this warranty that requires service, terms of this warranty apply.

How long does the coverage last?

The Warranty Period lasts for 1 year (365 days) from the date you purchased the Product. The purchase date is printed on the receipt you received with the Product.

What does this warranty cover?

During the Warranty Period, if the original manufacture of the material or workmanship of the Product is determined to be defective by an authorized Insignia repair center or store personnel, Insignia will (at its sole option): (1) repair the Product with new or rebuilt parts; or (2) replace the Product at no charge with new or rebuilt comparable products or parts. Products and parts replaced under this warranty become the property of Insignia and are not returned to you. If service of Products or parts are required after the Warranty Period expires, you must pay all labor and parts charges. This warranty lasts as long as you own your Insignia Product during the Warranty Period. Warranty coverage terminates if you sell or otherwise transfer the Product.

How to obtain warranty service?

If you purchased the Product at a retail store location, take your original receipt and the Product to the store you purchased it from. Make sure that you place the Product in its original packaging or packaging that provides the same amount of protection as the original packaging. If you purchased the Product from an online web site, mail your original receipt and the Product to the address listed on the web site. Make sure that you put the Product in its original packaging or packaging that provides the same amount of protection as the original packaging.

To obtain in-home warranty service for a television with a screen 30 inches or larger, call 1-888-BESTBUY. Call agents will diagnose and correct the issue over the phone or will have an Insignia-approved repair person dispatched to your home. Should the Insignia-approved repair person not correct the issue on the first call, an Insignia television (size and features to be determined by Insignia) will be loaned to you until your TV is repaired and returned, at no charge to you. This feature is only available to Insignia television consumers residing in the United States.

Where is the warranty valid?

This warranty is valid only to the original purchaser of the product in the United States, Canada, and Mexico.

What does the warranty not cover?

This warranty does not cover:

- Customer instruction
- Installation
- Set up adjustments
- Cosmetic damage
- Damage due to acts of God, such as lightning strikes
- Accident
- Misuse
- Abuse
- Negligence
- Commercial use
- Modification of any part of the Product, including the antenna
- Plasma display panel damaged by static (non-moving) images applied for lengthy periods (burn-in).

This warranty also does not cover:

- Damage due to incorrect operation or maintenance
- Connection to an incorrect voltage supply
- Attempted repair by anyone other than a facility authorized by Insignia to service the Product
- Products sold as is or with all faults
- Consumables, such as fuses or batteries
- Products where the factory applied serial number has been altered or removed

REPAIR REPLACEMENT AS PROVIDED UNDER THIS WARRANTY IS YOUR EXCLUSIVE REMEDY. INSIGNIA SHALL NOT BE LIABLE FOR ANY INCIDENTAL OR CONSEQUENTIAL DAMAGES FOR THE BREACH OF ANY EXPRESS OR IMPLIED WARRANTY ON THIS PRODUCT, INCLUDING, BUT NOT LIMITED TO, LOST DATA, LOSS OF USE OF YOUR PRODUCT, LOST BUSINESS OR LOST PROFITS. INSIGNIA PRODUCTS MAKES NO OTHER EXPRESS WARRANTIES WITH RESPECT TO THE PRODUCT, ALL EXPRESS AND IMPLIED WARRANTIES FOR THE PRODUCT, INCLUDING, BUT NOT LIMITED TO, ANY IMPLIED WARRANTIES OF AND CONDITIONS OF MERCHANTABILITY AND FITNESS FOR A PARTICULAR PURPOSE, ARE LIMITED IN DURATION TO THE WARRANTY PERIOD SET FORTH ABOVE AND NO WARRANTIES, WHETHER EXPRESS OR IMPLIED, WILL APPLY AFTER THE WARRANTY PERIOD. SOME STATES, PROVINCES AND JURISDICTIONS DO NOT ALLOW LIMITATIONS ON HOW LONG AN IMPLIED WARRANTY LASTS, SO THE ABOVE LIMITATION MAY NOT APPLY TO YOU. THIS WARRANTY GIVES YOU SPECIFIC LEGAL RIGHTS, AND YOU MAY ALSO HAVE OTHER RIGHTS, WHICH VARY FROM STATE TO STATE OR PROVINCE TO PROVINCE.

Contact Insignia:

For customer service please call 1-877-467-4289
www.insignia-products.com

Distributed by Best Buy Purchasing, LLC
7601 Penn Avenue South, Richfield, Minnesota, U.S.A.
55423-3645

© 2009 BBY Solutions, Inc.

All rights reserved. INSIGNIA is a trademark of BBY Solutions, Inc. Registered in some countries. All other products and brand names are trademarks of their respective owners.



www.insigniaproducts.com (877) 467-4289

Distributed by Best Buy Purchasing, LLC
7601 Penn Avenue South, Richfield, MN USA 55423-3645
© 2009 BBY Solutions, Inc.

All rights reserved. INSIGNIA is a trademark of BBY Solutions, Inc. Registered in some countries.
All other products and brand names are trademarks of their respective owners.

ENGLISH
09-1061

Free Manuals Download Website

<http://myh66.com>

<http://usermanuals.us>

<http://www.somanuals.com>

<http://www.4manuals.cc>

<http://www.manual-lib.com>

<http://www.404manual.com>

<http://www.luxmanual.com>

<http://aubethermostatmanual.com>

Golf course search by state

<http://golfingnear.com>

Email search by domain

<http://emailbydomain.com>

Auto manuals search

<http://auto.somanuals.com>

TV manuals search

<http://tv.somanuals.com>