

User Guide

INSIGNIA™

HD Radio®

NS-BHDIP01

HD Radio™ Boombox, iPod/iPhone dock, and CD player

NS-BHDIP01

HD Radio™ Boombox, iPod/iPhone dock, and CD

Contents

Introduction	3
Safety information	3
Features	5
Setting up your boombox	9
Using your boombox.....	10
Troubleshooting	16
Specifications.....	17
Legal notices.....	18

Introduction

Congratulations on your purchase of a high-quality Insignia product. Your NS-BHDIP01 represents the state of the art in boomboxes and is designed for reliable and trouble-free performance. It also lets you access the full FM spectrum of features that HD Radio Technology offers.

Safety information



This symbol indicates that dangerous voltage constituting a risk of electric shock is present within your boombox. This label is located on the back of your boombox.



This symbol indicates that there are important operating and maintenance instructions in the literature accompanying your boombox.

Important safety instructions

- 1 Read these instructions.
- 2 Keep these instructions.
- 3 Heed all warnings.
- 4 Follow all instructions.
- 5 Do not use this apparatus near water.
- 6 Clean only with a dry cloth.
- 7 Do not block any ventilation openings. Install in accordance with the manufacturer's instructions.
- 8 Do not install near any heat sources such as radiators, heat registers, stoves, or other apparatus (including amplifiers) that produce heat.
- 9 Do not defeat the safety purpose of the polarized or grounding-type plug. A polarized plug has two blades with one wider than the other. A grounding type plug has two blades and a third grounding prong. The wide blade or the third prong are provided for your safety. If the provided plug does not fit into your outlet, consult an electrician for replacement of the obsolete outlet.
- 10 Protect the power cord from being walked on or pinched particularly at plugs, convenience receptacles, and the point where they exit from the apparatus.
- 11 Only use attachments/accessories specified by the manufacturer.
- 12 Use only with a cart, stand, tripod, bracket, or table specified by the manufacturer. When a cart is used, use caution when moving the cart and boombox combination to avoid injury from tip-over.
- 13 Unplug this apparatus during lightning storms or when unused for long periods of time.
- 14 Refer all servicing to qualified service personnel. Servicing is required when the apparatus has been damaged in any way, such as power-supply cord or plug is damaged, liquid has been spilled or objects have fallen into the apparatus, the apparatus has been exposed to rain or moisture, does not operate normally, or has been dropped.
- 15 To reduce the risk of fire or electric shock, do not expose this device to rain, moisture, dripping, or splashing, and no objects filled with liquids, such as vases, shall be placed on it.
- 16 An apparatus with a three-prong, grounding-type plug is a Class I apparatus, which needs to be grounded to prevent possible electric shock. Make sure that you connect this Class I device to a grounding-type, three-prong outlet.



S3125A

- 17** The wall plug is the disconnecting device. The plug must remain readily operable.
- 18** Batteries should not be exposed to excessive heat such as sunshine, fire, or the like.

Warning

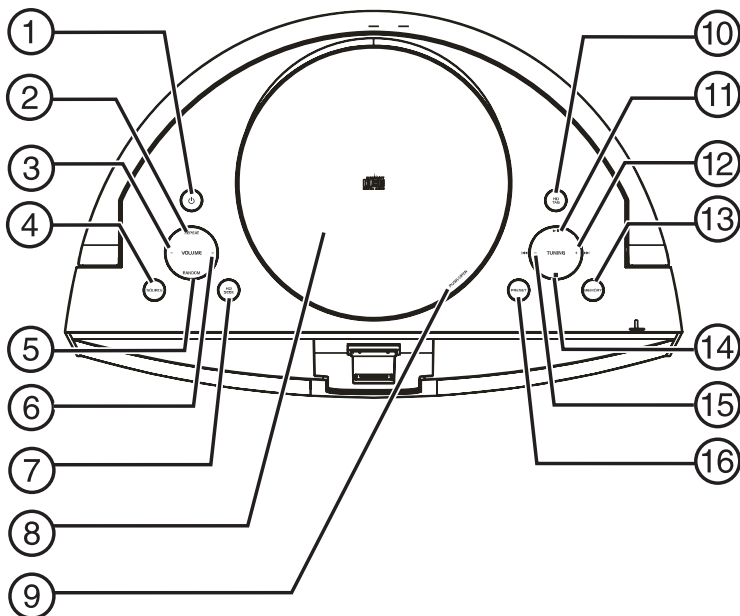
Danger of explosion if battery is incorrectly replaced. Replace only with the same or equivalent type.

Features

Package contents

- HD Radio Boombox
- AC Power Adapter
- *Quick Setup Guide*
- *User Guide*

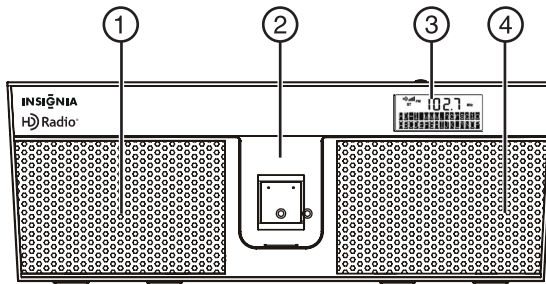
Top view



#	Component	Description
1	POWER button	Press to turn on your boombox or put it into standby mode.
2	REPEAT button	Press once to repeat the current CD selection. Press twice to repeat the entire CD. To cancel repeat mode, press until " Rep " icon disappears from the LCD display.
3	VOLUME- button	Press to lower the volume.
4	SOURCE button	Press repeatedly to select the mode you want. Options include Tuner , iPod/iPhone , or CD .
5	RANDOM button	Press to play CD selections randomly. Press again to resume normal playback.
6	VOLUME+ button	Press to raise the volume.
7	HD SEEK button	Press to go to the next HD Radio station or an HD Radio multicast station.
8	CD door	Open to insert or remove a CD.
9	OPEN	Lift here to open the CD door.
10	TAG	Press to tag a selection on an HD Radio station for future review or purchase. For more information, see "Using iTunes Tagging" on page 11.
11	PLAY/PAUSE button	Press to start CD playback. Press again to pause playback. Press again to resume playback.

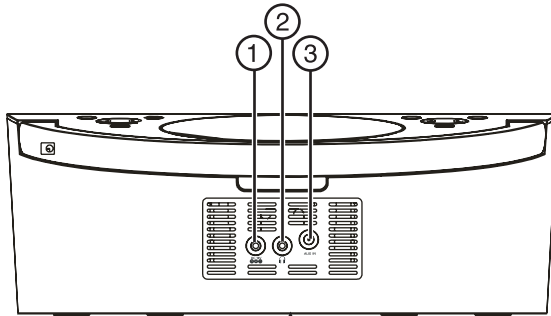
#	Component	Description
12	▶▶ /TUNING + button	In tuner mode, press to go to a higher radio frequency. Press for more than one second to auto scan for the next higher radio station. In CD playback mode press once to skip to the next selection. Press twice to skip to the beginning of the next selection. Press and hold to search forward for a specific track.
13	MEMORY button	Press to save preset radio stations. You can save up to 10 presets.
14	■ STOP button	Press to stop playback.
15	◀◀ /TUNING - button	In tuner mode, press to go to a lower radio frequency. Press for more than one second to auto scan for the next lower radio station. In CD playback mode press once to skip to the beginning of the current selection. Press twice to skip to the beginning of the previous selection. Press and hold to search backward for a specific track.
16	PRESET buttons	Press to go to the next preset station.

Front



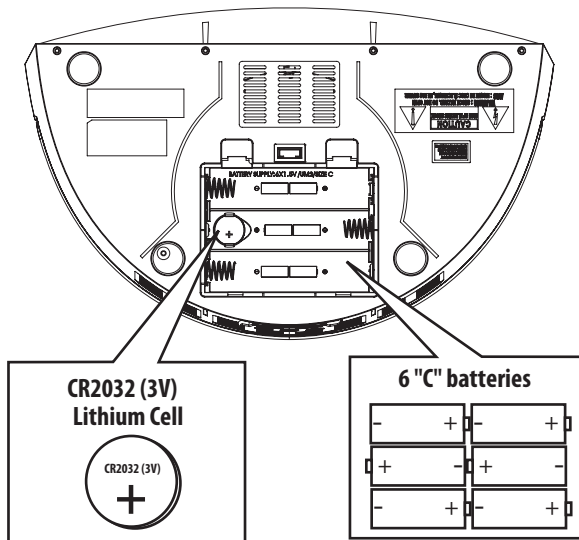
#	Component	Description
1 & 4	Speakers	Provides sound from your boombox.
2	iPod dock	Connect your iPod to this dock to play selections through your boombox.
3	LCD display	Displays mode and playback information.

Back

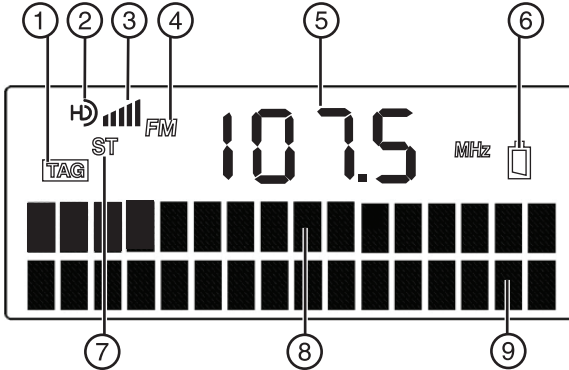


#	Component	Description
1	9V DC jack	Connect the AC Adapter to this jack.
2	Headphone jack	Connect a pair of headphones (16 to 32 ohms impedance) to this connector with a 3.5 mm plug.
3	AUX IN jack	Connect an external sound source, such as an MP3 player, to this connector.

Bottom



LCD display



#	Description
1	TAG icon
2	HD Radio icon
3	Signal strength indicator
4	FM icon
5	FM frequency indicator
6	Low battery icon
7	ST (stereo) indicator
8	Top information line
9	Bottom information line

Setting up your boombox

Powering your boombox

Your boombox can be powered by either the included AC Adapter, or by using six "C" sized alkaline batteries. Your boombox only operates on batteries if the AC adapter is unplugged.

Installing the batteries

To install the batteries:

- 1 Open the battery compartment on the bottom of your boombox.

- 2 Place six "C" size batteries (alkaline) in the battery compartment. Make sure to match the + and - on the battery to the + and - signs in the battery compartment.
- 3 Close the battery compartment until it clicks into place.

Caution

- When you replace the batteries, make sure that you use batteries of the same type and voltage. The batteries are "C" size alkaline.
- All batteries should be replaced at the same time.
- Dispose of used batteries by following your local hazardous waste regulations.
- If you don't plan to use your boombox for an extended period of time, remove the batteries to prevent damage.

Connecting the AC adapter


To connect the AC adapter:

- 1 Plug the small connector at the end of the power cord into the DC 9V jack on the back of your boombox.
- 2 Plug the AC adapter into a power outlet.

Using your boombox

Turning on your boombox

To turn on your boombox:

- Press  (power) on the top of your boombox.

Selecting the mode (source)

To select the mode (sound source):

- Press **SOURCE** repeatedly on the top of your boombox to select **TUNER**, **CD**, **iPod**, or **AUX**. The source you select appears on the display.

Using Tuner mode

Tuner mode is the default mode on your boombox and is selected when you turn your boombox on.

To tune to a station:

- 1 Press **▶▶/TUNING +** or **◀◀/TUNING-** on the top of your boombox. The radio tunes to the next or previous frequency.

- 2 Press and hold **▶▶/TUNING +** or **◀◀/TUNING-** on the top of your boombox for more than one second. The radio searches for the next or previous radio station with good reception.
- 3 Press **HD SEEK** on the top of your boombox. The radio searches for the next HD Radio station with good reception.
- 4 Press **PRESET** on the top of your boombox to go to the next preset station.

Understanding the RDS display

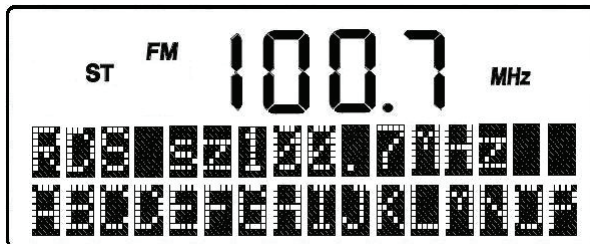
The Radio Data System (RDS) is a broadcasting service which lets stations send additional information along with the regular radio program signal (FM stations only).

The program service name is shown after "RDS" on the top information line of the display.

The program type is shown on the bottom information line of the display.

Listening to HD Radio broadcasts

If an FM station is broadcasting an HD Radio signal, the HD logo, "FM," the frequency, and the signal strength is shown on the display. The station information, including the station call letters, is shown on the top information line of the display. The artist and song name is shown on the bottom information line of the display. If the information is too long for the display, it scrolls across the display.



If you find several HD Radio stations on the current frequency, the first HD Radio station indicates "HD-1" on the display, and the information shown relates to that station. Press **▶▶/TUNING +** or **◀◀/TUNING-** to select the next higher or lower HD Radio multicast station.

Using iTunes Tagging

While listening to broadcast music on an HD Radio station, you can tag a selection for future review or purchase from the Apple iTunes store. You can tag a song without needing to know anything about it or its originating station. The song information is stored on the boombox until your iPod is connected to it.

To tag a selection on an HD Radio broadcast:

- 1 If you hear a selection on an HD Radio broadcast that you want to tag, press the **TAG** button on the top of your boombox. The following information is shown on the display:
 - The “TAG” icon turns on and “Storing Tag...” is shown on the bottom information line.
 - When the tag has been stored, “Tag Stored” appears for three seconds on the bottom information line. If the same tag has been stored in tag memory, “Tag already stored” appears on the display for three seconds, and the same tag is not stored again.
 - If tag memory is full, “Tag Memory Full” appears on the display for three seconds (you can tag up to 64 songs).
- 2 When you connect your iPod to your boombox, the tagged song information is transferred to your iPod. Your iPod then stores the data until it is synched with iTunes. The following information is shown:
 - When the iPod is connected to your boombox, “Tag Transferring” appears on the bottom information line.
 - When the tag transfer is complete, “xx Tag(s) Transferred” appears on the bottom information line (where “xx” is the total number of songs transferred to your iPod).
- 3 When you connect your iPod to your computer, iTunes imports the tag data, analyzes it, and presents it to the user in the form of a tagged play list. iTunes then displays the song title, artist, album and other information for each tagged song. You can then save, review, or delete any item on the tagged play list and purchase any of the listed titles through iTunes.

Note

The iTunes tagging function supports iPod with video, iPod classic, iPod nano (3rd and 4th generation), iPod touch (2G, 3G, and 4G), iPhone, iPhone 3G, iPhone3GS, and iPhone 4.

Storing preset stations in memory

Your boombox can store 10 FM stations in memory. When you store a station in memory, you can tune to the stored (preset) station by repeatedly pressing **PRESET** on the top of your boombox.

To store stations in memory:

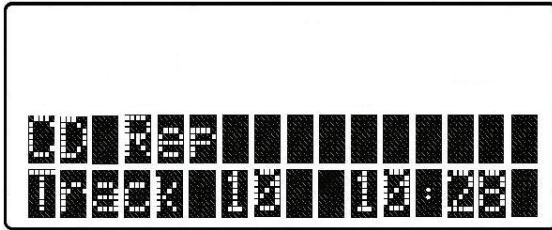
- 1 Press **SOURCE** repeatedly on the top of your boombox to select **TUNER** mode.
- 2 Press **▶▶/TUNING +** or **◀◀/TUNING-** on the top of your boombox to tune to the station you want to store.
- 3 Press **MEMORY** to store the station (“PRESET” flashes on the display).
- 4 Press **PRESET** repeatedly on the top of your boombox until the display shows the preset number you want to save.

- 5 Press **MEMORY** again to complete the operation.

Using the CD player

To use the CD player:

- 1 Press **SOURCE** repeatedly on the top of your boombox to select **CD**, or lift the CD door on top of your boombox to open it. "CD" appears on the display and "OPEN" is shown on the bottom information line.



- 2 Place a CD on the spindle and close the CD door. "READING" flashes on the display and the contents of the disc is scanned.

Note


If the door is opened during playback, playback stops immediately, the program is cleared, and any repeat mode setting is reset.

- 3 Control CD playback as follows:
- Press **▶||** **PLAY/PAUSE** to begin playback. Press again to pause playback. Press again to resume playback.
 - Press **■** **STOP** to stop playback.
 - Press **▶▶** to skip to the next track. If the CD is playing, your boombox skips to the next track and starts playing. If the CD is stopped, your boombox skips to the beginning of the next track.
 - Press **◀◀** once to skip to the beginning of the current track. If the CD is playing, it begins playing the track again. If the CD is stopped, your boombox skips to the beginning of the previous track.
 - Press **◀◀** twice to skip to the beginning of the previous track. If the CD is playing, it begins playing the track.
 - Press **▶▶** and hold to fast forward. Release to stop the search.
 - Press **◀◀** and hold to fast reverse. Release to stop the search.
 - Press **REPEAT** once to repeat the current track. "CD Rep one" appears on the display.

- Press **REPEAT** twice to repeat the entire CD. “CD Rep all” appears on the display. To return to normal playback, press **REPEAT** until the “Rep” icon disappears from the display. Press **■ STOP** to stop playback during Repeat mode. Press **■ STOP** again to cancel Repeat mode.
- Press **RANDOM** to play the contents of the CD in random order. “CD Random” appears on the display. Press **RANDOM** again to return to normal playback. Press **■ STOP** again to stop playback and cancel Random mode.

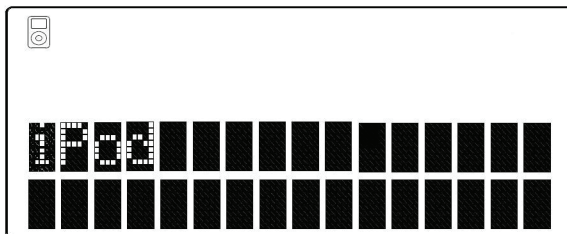
Using the iPod/iPhone dock

To use the iPod/iPhone dock:

- 1 Move the spring aside and insert your iPod or iPhone into the iPod/iPhone dock on the front of your boombox when the iPod is playing. Your boombox switches to iPod mode automatically and the iPod icon “” appears on the display.

Note

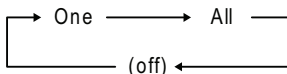
If you iPod or iPhone is not detected by the boombox, the icon blinks. See “Troubleshooting” on page 16 for additional information.



If there are files of proper format on your iPod/iPhone, they will start playing back from the point playback was last stopped or paused.

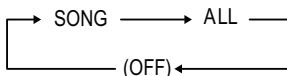
- 2 Control iPod playback as follows:
 - Press **▶|| PLAY/PAUSE** to start playback. Press **▶|| PLAY/PAUSE** again to pause or stop playback. Press it again to resume playback.
 - To skip to the next or a previous track during playback, press **▶||/TUNING +** or **◀◀/TUNING-** on the top of your boombox repeatedly until the desired track is found. The selected track plays from the beginning.
 - To search for a part of a track during playback, press and hold **▶||/TUNING +** or **◀◀/TUNING-** on the top of your boombox for more than two seconds and release it when the point in the track you want to listen to is found.

- To turn on Repeat mode during playback, press **REPEAT** repeatedly to cycle through the repeat options as follows:

**Note**

If the iPod/iPhone is set to repeat one song, the Repeat One icon (🔁) appears in the iPod/iPhone's display. If the iPod/iPhone is set to repeat all songs, the Repeat icon (🔁) appears in the iPod/iPhone's display.

- To turn on Random mode during playback, press **RANDOM** repeatedly to cycle through the shuffle modes as follows:

**Note**

- If you select "SONG," the iPod/iPhone shuffles songs within the list you choose to play.
- If you select "ALBUM," the iPod/iPhone plays all the songs on an album in order, and then randomly selects another album in the list and plays through it in order.
- During shuffle playback, the shuffle icon (🔀) appears on the iPod/iPhone's display.

Receiving phone calls

To receive a phone call on your iPhone:

- If your iPhone is setup without a ring tone, your boombox is muted until the call is completed, at which time it resumes playing music.
- If your iPhone is setup with a ring tone, your boombox plays the ring tone but the call is heard through your iPhone. After the call, your boombox stays in iPod mode and resumes playing music.

Playing music from an external sound source

To play music from an external sound source:

- 1 Connect an external sound source, such as an MP3 player, by plugging an audio cable with a 3.5 mm plug (not included) into the **AUX IN** jack on the back of your boombox.

- 2 Press **SOURCE** repeatedly on the top of your boombox to select **AUX**. "AUX" appears on the display.
- 3 Start playback on the external device.
- 4 Press **VOLUME+** or **VOLUME-** to adjust the volume.

Troubleshooting

Problem	Solution
My boombox won't turn on.	<ul style="list-style-type: none"> • Make sure that the power cord is fully inserted in the power outlet and firmly connected to the DC 9V jack on the back.
My iPod won't play.	<ul style="list-style-type: none"> • Make sure your iPod is charged. • Make sure your iPod is On. • Make sure that your boombox is turned on and in iPod mode. • Make sure your iPod is not paused. • Make sure that your iPod is properly docked. • Make sure that there are songs in your iPod. • Make sure that the hold function is not activated on your iPod. • Your iPod may be malfunctioning. Make sure that your iPod is working properly before you dock it into your boombox. • Remove your iPod from the docking compartment. Clean the connectors in the docking compartment and on your iPod, then replace it in the docking compartment. • Your iPod software may be outdated. Upgrade its software. For details, visit www.apple.com. • This docking system works with versions of iPod nano, iPod video, iPod touch, iPod classic, and iPhone. For compatibility, see "Specifications" on page 17.
No sound.	<ul style="list-style-type: none"> • Make sure that power is connected and your boombox is turned on. • Make sure that your boombox is turned on and in iPod mode. • Make sure that the volume is not extremely low.
My iPod won't charge when it's docked.	<ul style="list-style-type: none"> • Make sure your iPod is properly docked and your boombox is set to iPod mode. The iPod will not charge while your boombox is in Tuner mode. • Make sure that the hold function is not activated on your iPod. • Make sure that your iPod battery is not faulty. • Make sure that the power cord is plugged in. An iPod will not charge from battery power.

Maintaining

Keep your boombox away from dust and dirt, and wipe it with a damp cloth occasionally to keep it looking new.

Caution

- Some furniture polishes or cleaners may cause the rubber feet on your boombox to soften, leaving marks on the furniture. Use a pad under you boombox to prevent this.
- Modifying or tampering with the internal components of your boombox can cause a malfunction and might invalidate its warranty. If your boombox is not performing as it should, take it to the local dealer for assistance.

Specifications

General	
Power requirement	DC 9V or six "C" size alkaline batteries
Dimensions (WxHxD)	13.9 x 5.12 x 8.86 in. (353 x 130 x 225 mm)
Weight	3.31 lbs. (1.5 kg)
Receiver section	
Receiving band	FM
Tuning range	87.7 - 107.9 MHz
CD Player section	
Playback system	Compact Disc Digital Audio CD, CD-R, and CD-RW
DAC	8 times oversampling 1 bit D/A converter
Frequency response	100 - 20,000 Hz
iPod/iPhone dock section	
Compatibility	Mini, 4G (40 GB), Photo (20 GB /40 GB / 60 GB),1G Nano, 2G Nano, 3G Nano, 4G Nano, 5G Nano, 6G Nano, Classic (80GB/120GB/160GB), 5G (30GB, 60GB/ 80GB), 1G Touch, 2G Touch, 3G Touch, 2G iPhone, 3G iPhone, 3GS iPhone, and iPhone 4
Audio section	
Power output	2 x 5 Watts per channel
Headphone impedance	8 ohms

Legal notices

FCC Part 15

This device complies with Part 15 of the FCC Rules. Operation of this product is subject to the following two conditions: (1) this device may not cause harmful interference, and (2) this device must accept any interference received, including interference that may cause undesired operation.

This equipment has been tested and found to comply within the limits for a class B digital device, pursuant to Part 15 of the FCC Rules. These limits are designed to provide reasonable protection against harmful interference in a residential installation. This equipment generates, uses, and can radiate radio frequency energy and, if not installed and used in accordance with the instructions, may cause harmful interference to radio communications. However, there is no guarantee that interference will not occur in a particular installation. If this equipment does cause harmful interference to radio or television reception, which can be determined by turning the equipment off and on, the user is encouraged to try to correct the interference by one or more of the following measures:

- Reorient or relocate the receiving antenna.
- Increase the separation between the equipment and receiver.
- Connect the equipment into an outlet on a circuit different from that to which the receiver is connected.
- Consult the dealer or an experienced technician for help.

FCC warning

Changes or modifications not expressly approved by the party responsible for compliance with the FCC Rules could void the user's authority to operate this equipment.

Canada ICES-003 statement

This Class B digital apparatus complies with Canadian ICES-003.

90-day limited warranty

Insignia Products ("Insignia") warrants to you, the original purchaser of this new **NS-BHDIP01** ("Product"), that the Product shall be free of defects in the original manufacture of the material or workmanship for a period of 90 days from the date of your purchase of the Product ("Warranty Period"). This Product must be purchased from an authorized dealer of Insignia brand products and packaged with this warranty statement. This warranty does not cover refurbished Product. If you notify Insignia during the Warranty Period of a defect covered by this warranty that requires service, terms of this warranty apply.

How long does the coverage last?

The Warranty Period lasts for 90 days from the date you purchased the Product. The purchase date is printed on the receipt you received with the Product.

What does this warranty cover?

During the Warranty Period, if the original manufacture of the material or workmanship of the Product is determined to be defective by an authorized Insignia repair center or store personnel, Insignia will (at its sole option): (1) repair the Product with new or rebuilt parts; or (2) replace the Product at no charge with new or rebuilt comparable products or parts. Products and parts replaced under this warranty become the property of Insignia and are not returned to you. If service of Products or parts are required after the Warranty Period expires, you must pay all labor and parts charges. This warranty lasts as long as you own your Insignia Product during the Warranty Period. Warranty coverage terminates if you sell or otherwise transfer the Product.

How to obtain warranty service

If you purchased the Product at a retail store location, take your original receipt and the Product to the store you purchased it from. Make sure that you place the Product in its original packaging or packaging that provides the same amount of protection as the original packaging. If you purchased the Product from an online web site, mail your original receipt and the Product to the address listed on the web site. Make sure that you put the Product in its original packaging or packaging that provides the same amount of protection as the original packaging.

To obtain in-home warranty service for a television with a screen 25 inches or larger, call 1-888-BESTBUY. Call agents will diagnose and correct the issue over the phone or will have an Insignia-approved repair person dispatched to your home.

Where is the warranty valid?

This warranty is valid only to the original purchaser of the product in the United States, Canada, and Mexico.

What does the warranty not cover?

This warranty does not cover:

- Customer instruction
- Installation
- Set up adjustments
- Cosmetic damage
- Damage due to acts of God, such as lightning strikes
- Accident
- Misuse
- Abuse
- Negligence
- Commercial use

- Modification of any part of the Product, including the antenna
- Plasma display panel damaged by static (non-moving) images applied for lengthy periods (burn-in).

This warranty also does not cover:

- Damage due to incorrect operation or maintenance
- Connection to an incorrect voltage supply
- Attempted repair by anyone other than a facility authorized by Insignia to service the Product
- Products sold as is or with all faults
- Consumables, such as fuses or batteries
- Products where the factory applied serial number has been altered or removed

REPAIR REPLACEMENT AS PROVIDED UNDER THIS WARRANTY IS YOUR EXCLUSIVE REMEDY. INSIGNIA SHALL NOT BE LIABLE FOR ANY INCIDENTAL OR CONSEQUENTIAL DAMAGES FOR THE BREACH OF ANY EXPRESS OR IMPLIED WARRANTY ON THIS PRODUCT, INCLUDING, BUT NOT LIMITED TO, LOST DATA, LOSS OF USE OF YOUR PRODUCT, LOST BUSINESS OR LOST PROFITS. INSIGNIA PRODUCTS MAKES NO OTHER EXPRESS WARRANTIES WITH RESPECT TO THE PRODUCT, ALL EXPRESS AND IMPLIED WARRANTIES FOR THE PRODUCT, INCLUDING, BUT NOT LIMITED TO, ANY IMPLIED WARRANTIES OF AND CONDITIONS OF MERCHANTABILITY AND FITNESS FOR A PARTICULAR PURPOSE, ARE LIMITED IN DURATION TO THE WARRANTY PERIOD SET FORTH ABOVE AND NO WARRANTIES, WHETHER EXPRESS OR IMPLIED, WILL APPLY AFTER THE WARRANTY PERIOD. SOME STATES, PROVINCES AND JURISDICTIONS DO NOT ALLOW LIMITATIONS ON HOW LONG AN IMPLIED WARRANTY LASTS, SO THE ABOVE LIMITATION MAY NOT APPLY TO YOU. THIS WARRANTY GIVES YOU SPECIFIC LEGAL RIGHTS, AND YOU MAY ALSO HAVE OTHER RIGHTS, WHICH VARY FROM STATE TO STATE OR PROVINCE TO PROVINCE.

Contact Insignia:

For customer service please call 1-877-467-4289

www.insigniaproducts.com

Distributed by Best Buy Purchasing, LLC

7601 Penn Avenue South, Richfield, Minnesota, U.S.A. 55423-3645

© 2011 BBY Solutions, Inc.

All rights reserved. INSIGNIA is a trademark of BBY Solutions, Inc. Registered in some countries. All other products and brand names are trademarks of their respective owners.

HD Radio™ Technology Manufactured Under License From iBiquity Digital Corp. U.S. and Foreign Patents. HD Radio™ and the HD, HD Radio, and "Arc" logos are proprietary trademarks of iBiquity Digital Corp.



www.insigniaproducts.com (877) 467-4289

Distributed by Best Buy Purchasing, LLC
7601 Penn Avenue South, Richfield, MN 55423-3645 USA

© 2011 BBY Solutions, Inc.

All rights reserved. INSIGNIA is a trademark of BBY Solutions, Inc. Registered in some countries.
All other products and brand names are trademarks of their respective owners.

HD Radio™ Technology Manufactured Under License From iBiquity Digital Corp. U.S. and Foreign Patents. HD Radio™ and the HD, HD Radio, and "Arc" logos are proprietary trademarks of iBiquity Digital Corp.

ENGLISH
11-0800

Free Manuals Download Website

<http://myh66.com>

<http://usermanuals.us>

<http://www.somanuals.com>

<http://www.4manuals.cc>

<http://www.manual-lib.com>

<http://www.404manual.com>

<http://www.luxmanual.com>

<http://aubethermostatmanual.com>

Golf course search by state

<http://golfingnear.com>

Email search by domain

<http://emailbydomain.com>

Auto manuals search

<http://auto.somanuals.com>

TV manuals search

<http://tv.somanuals.com>