

User Guide | Guide de l'utilisateur | Guía del Usuario



Portable CD/MP3/WMA Player and Digital FM Tuner  
Lecteur de CD/MP3/WMA portatif et syntoniseur numérique FM  
Reproductor de CD/MP3/WMA y sintonizador de FM digital

**NS-P4113**





# NS-P4113 Portable CD/MP3/WMA Player and Digital FM Tuner

## Contents

Welcome . . . . .	3
Safety information . . . . .	4
Features . . . . .	5
Setting up your CD player . . . . .	8
Using your CD player . . . . .	10
Troubleshooting . . . . .	19
Maintaining . . . . .	20
Specifications . . . . .	22
Legal notices . . . . .	23
90-day limited warranty . . . . .	25
<b>Français . . . . .</b>	<b>27</b>
<b>Español . . . . .</b>	<b>53</b>

## Welcome

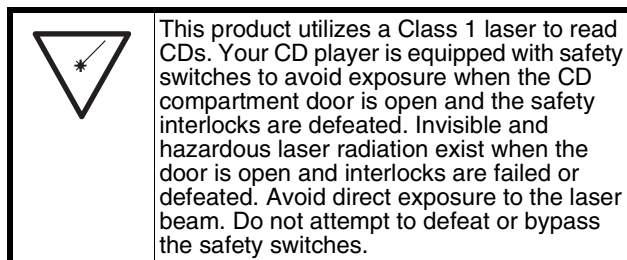
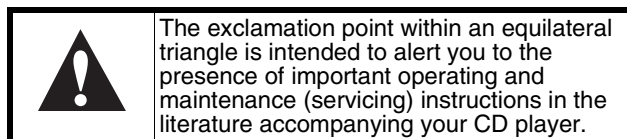
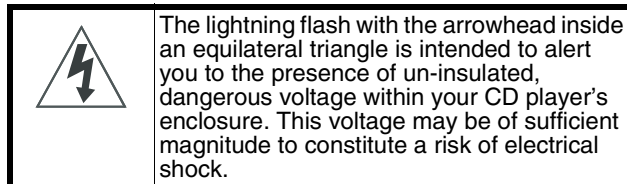
Congratulations on your purchase of a high-quality Insignia product. Your NS-P4113 represents the state of the art in portable CD player design and is designed for reliable and trouble-free performance.

## Safety information



**Warning**

To reduce the risk of electric shock, do not remove the cover or back. There are no user-serviceable parts inside. Refer all servicing to qualified service personnel.



**Surge protectors:**

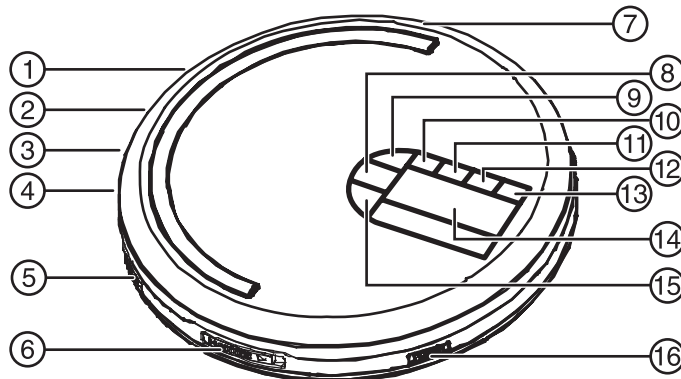
We recommend that you use a surge protector when you connect your CD player to AC power. A surge protector will help protect your CD player from lightning and power surges, which are not covered by your warranty.

**Follow these safety precautions:**





- Read and retain all instructions.
- Do not open the CD door while the CD is spinning.
- Always keep the CD door closed when not in use.
- Keep all foreign objects out of the CD compartment.
- Place your CD player on a stable surface.
- Avoid installing your CD player in any of the following locations:
  - Places exposed to direct sunlight or close to heat radiating appliances, such as electric heaters.
  - On top of other stereo equipment that radiates too much heat.
  - Places that lacks correct ventilation or dusty places.
  - Places subject to constant vibration.
  - Humid or moist places.

**Caution**

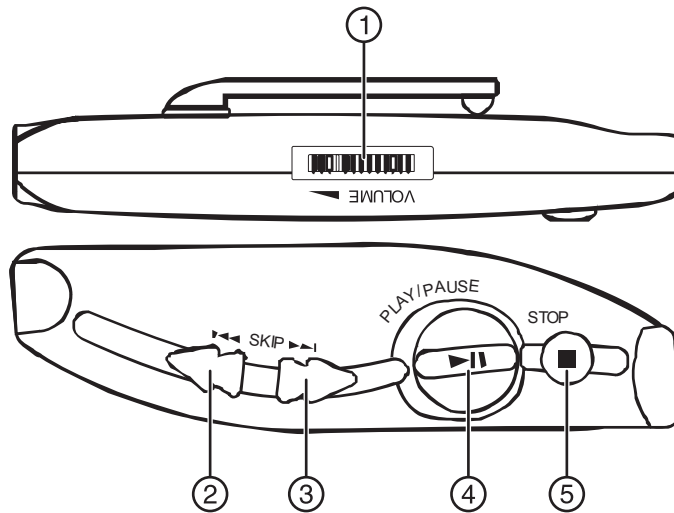
Do not expose your CD player to dripping or splashing and do not set objects filled with liquid, such as vases, on top of your CD player.

**Features**

No.	Component	Description
1	Hold switch	Slide to lock button controls so you do not accidentally press a button.
2	LINE OUT jack	Plug an audio cable into this jack and into the CD/AUX jack on an external audio system.
3	PHONE jack	Plug headphones into this jack.

No.	Component	Description
4	Volume control switch	Slide to adjust the volume.
5	DBBS switch	Slide to the ON position to turn on bass boost. Slide to the OFF position to turn off bass boost.
6	OPEN switch	Press to open the CD compartment door.
7	DC INPUT jack	Plug the optional AC/DC power cord into this jack and into an AC outlet.
8		<ul style="list-style-type: none"> <li>When playing an audio CD, press to start or pause playback.</li> <li>When playing an MP3 or WMA CD, press to search up.</li> </ul>
9	MENU/ESP/PRESET	<ul style="list-style-type: none"> <li>When playing an audio CD, press to turn the anti-shock feature on or off.</li> <li>When playing an MP3 or WMA CD, press to start the search function.</li> </ul>
10		<ul style="list-style-type: none"> <li>When playing an audio CD, press to skip or fast-search backward.</li> <li>When playing an MP3 or WMA CD, press to search left.</li> <li>When playing the radio, press to tune to a lower frequency station.</li> </ul>
11		<ul style="list-style-type: none"> <li>When playing an audio CD, press to skip or fast-search forward.</li> <li>When playing an MP3 or WMA CD, press to search right.</li> <li>When playing the radio, press to tune to a higher frequency station.</li> </ul>
12	PROG/ENTER	When programming a playlist or radio station, press to open the programming feature and to confirm selections.
13	MODE/CLEAR	Press to select the playback mode. You can select REPEAT1, ALL, DIR., INTRO, or RANDOM.
14	LCD display	Displays information about the currently playing disc and various functions of your CD player.
15		<ul style="list-style-type: none"> <li>Press to stop audio CD playback.</li> <li>Press to cancel a playback list.</li> <li>Press to search down on an MP3 or WMA CD.</li> </ul>
16	FUNCTION	Slide to select CD or radio mode.

## Remote Control



No.	Button	Description
1	VOLUME	Slide to adjust the volume.
2	⏮	<ul style="list-style-type: none"> <li>When playing an audio CD, press to skip or fast-search backward.</li> <li>When playing an MP3 or WMA CD, press to search left.</li> <li>When playing the radio, press to tune to a lower frequency station.</li> </ul>
3	⏭	<ul style="list-style-type: none"> <li>When playing an audio CD, press to skip or fast-search forward.</li> <li>When playing an MP3 or WMA CD, press to search right.</li> <li>When playing the radio, press to tune to a higher frequency station.</li> </ul>
4	▶	<ul style="list-style-type: none"> <li>When playing an audio CD, press to start or pause playback.</li> <li>When playing an MP3 or WMA CD, press to search up.</li> </ul>
5	■	<ul style="list-style-type: none"> <li>Press to stop audio CD playback.</li> <li>Press to cancel a playback list.</li> <li>Press to search down on an MP3 or WMA CD.</li> </ul>

## Setting up your CD player

### Installing batteries

**To install batteries:**

- 1 Slide the battery compartment door (located on the bottom of your CD player), then lift it up. Do not remove the door.
- 2 Insert 2 AA alkaline batteries into the battery compartment. Make sure that the + and – symbols on the batteries match the + and – symbols inside the battery compartment.
- 3 Close the battery compartment door.

**Caution**

Use only the size and type of batteries specified.  
Make sure that you match the + and – symbols on the batteries with the + and – symbols inside the battery compartment. If you insert the batteries backwards, your CD player may be damaged.  
Do not mix different types of batteries together (such as, alkaline, rechargeable, and carbon/zinc).  
Do not mix old batteries and new batteries.  
When you do not plan to use your CD player for a long period of time, remove the batteries to prevent damage or injury from possible battery leakage.  
Do not try to recharge batteries not intended to be recharged. They can overheat and rupture.

**Note**

If the symbol “LOW BATTERY” appears on the display, batteries are weak and should be replaced.



## Using the optional AC/DC power cord

### To use the optional AC/DC power cord:

- 1 Plug one end of the AC/DC power cord into the DC INPUT jack on the back of your CD player.
- 2 Plug the other end of the AC/DC power cord into a AC outlet.

#### Note

If the AC adaptor is connected when regular batteries are installed, the power supply automatically switches to the AC power source.

Use only the supplied AC/DC power cord. Using other types of power cords may damage your CD player.

Make sure that the AC/DC power cord matches with your household voltage before connecting it into an outlet.

When you are not using AC power, unplug the AC/DC power cord.

Do not touch the AC/DC power cord with wet hands when it is connected to AC power.

## Connecting to an external audio system

### To connect your CD player to an external audio system:

- 1 Make sure that your CD player is turned off and unplugged (if you are using an AC/DC power cord).
- 2 Plug one end of an audio cable into the LINE OUT jack on your CD player.
- 3 Plug the other end of the audio cable into the CD/AUX jack on the external audio system. Do not plug the cable into an amplifier PHONE jack.

## Connecting the headphones

### To connect the headphones:

- Plug the headphone cable into the PHONE jack on your CD player.

## Using your CD player

### Playing a CD

**Caution**

Your CD player is designed to play audio CDs. Do not try to play any other type of discs.

**To play a CD:**

- 1 Connect the headphones (included) or optional earphones into the PHONE jack on your CD player.
- 2 Press the **OPEN** button to open the CD compartment door.
- 3 Insert a disc with the label side facing up.
- 4 Press down on the CD compartment door until you hear a click.
- 5 Set the **VOLUME** control to minimum.
- 6 Press the ►|| / ▲ button. Your CD player turns on and starts playing the disc. **Now Reading** appears on the display, then the total number of audio CD tracks (or the total number of MP3 or WMA albums and tracks), and total playing time appears on the display.  
After the disc begins to play, the total number of audio CD tracks (or the total number of MP3 or WMA albums and tracks) and elapsed time appear on the display.
- 7 Adjust the volume to a comfortable level. Do not play a disc at a loud volume level because you may damage your hearing.
- 8 To pause playback, press the ►|| / ▲ button. The elapsed time and audio CD track number (or MP3 or WMA album and track number) flash on the display. Press the button again to resume playback.
- 9 To stop playback, press the ■ / ▼ button once.
- 10 To turn off your CD player, press the ■ / ▼ button twice.

**Notes**

If the CD compartment door opens accidentally during playback, **OPEN** appears on the display.

Make sure that the CD has stopped spinning before you open the CD compartment door. If you open the door, playback stops.

Your CD player can play 3-inch (8 cm) single CDs without an adapter.

If you try to play a CD-RW that has not been recorded correctly, **Disc Error** appears on the display.

When a disc is playing **EPS** flashes.

### ***Automatic power off***

If your CD player is in stop (standby) mode for 60 seconds, your player turns off automatically to save battery power. When your CD player turns off, all settings, such as program and playing modes, are erased.

## **Searching on a CD**

### ***Audio CD***

#### **To search for a track or a section of a track on an audio CD:**

- Press the **⏮ / ⏪** button once to go to the beginning of the currently playing track.
- Press the **⏮ / ⏪** button repeatedly to go to backwards through the tracks on the audio CD.
- Press the **⏭ / ⏩** button once to go to the next track.
- Press the **⏭ / ⏩** button repeatedly to go to forward through the tracks on the audio CD.
- Press and hold the **⏮ / ⏪** or **⏭ / ⏩** button to search backwards or forwards at high speed. When you find the section you want, release the button.

**Note**

Low level audio is played when you search to help you locate the track or section you want.

### ***MP3 or WMA CD***

#### **To search for a track:**

- Press the **⏮ / ⏪** button once to go to the beginning of the currently playing track.
- Press the **⏮ / ⏪** button repeatedly to go to backwards through the tracks on the MP3 or WMA CD.
- Press the **⏭ / ⏩** button once to go to the next track.
- Press the **⏭ / ⏩** button repeatedly to go to forward through the tracks on the MP3 or WMA CD.

**Note**

On MP3 or WMA CDs with multiple albums, albums are represented as "folders."

**To search for a track name:**

- 1 Press the **MENU/ESP/PRESET** button once. **ABCDEFGHIJKL** appears on the display, and the cursor flashes. To view the rest of the alphabet, press the **▶|| / ▲** button. **MNOPQRSTUVWXYZ** appears on the display, and the cursor flashes.
- 2 Press the **◀◀ / ◀** or **▶▶▶ / ▶** button to select a letter. **The letter you selected** flashes on the display.

**Tip**

If an MP3 file name has symbols (for example, \*, /, -, !, or =), select the symbol on the display.

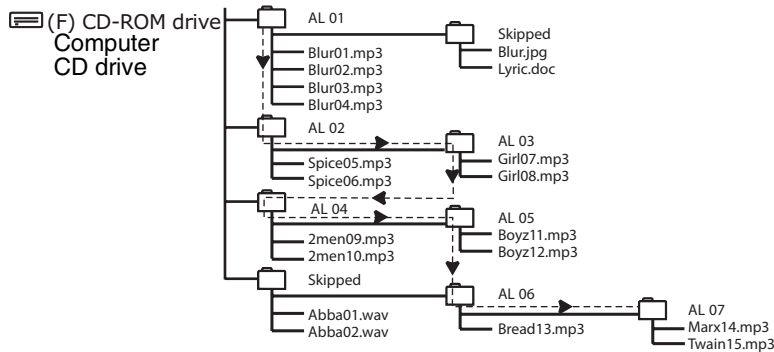
- 3 Press the **PROG/ENTER** button. If your CD player finds more than one track that starts with the letter you selected, the first track name flashes on the display. Press the **◀◀ / ◀** or **▶▶▶ / ▶** button to select a track, then press the **PROG/ENTER** button. Playback begins after you select a track.

**To search for a track in an album:**

- 1 Press the **MENU/ESP/PRESET** button twice. The album name appears on the upper row of the display, and the track name appears under the album name.
- 2 Press the **▶|| / ▲** or **■ / ▼** button to select an album name, or press the **◀◀ / ◀** or **▶▶▶ / ▶** button to select a track name, then press the **PROG/ENTER** button. The album or track you selected plays automatically.
- 3 To search in alphabetic order, press the **MENU/ESP/PRESET** button once, then press the **◀◀ / ◀** or **▶▶▶ / ▶** button to select the letters. (Press the **▶|| / ▲** button or the **■ / ▼** button to skip an entire line of the alphabet at one time.) Press the **PROG/ENTER** button to confirm your selection, then press the **▶|| / ▲** button to start playback.
- 4 To search for an album (if the CD has multiple albums), press the **MENU/ESP/PRESET** button twice, press the **▶|| / ▲** button or the **■ / ▼** button to select the album. (Press the **◀◀ / ◀** or **▶▶▶ / ▶** button to display the entire title.) Press the **PROG/ENTER** button to confirm your selection, then press the **▶|| / ▲** button to start playback.

## Understanding the CD layout of an MP3 or WMA CD

The following chart shows folder structure for an MP3 CD with four albums.



- The arrow pathway shows the playback sequence of MP3 folders and files.
- This example has a total of four MP3 directories. Based on this layout, the first file (track) that plays is **Blur01.mp3**, and the last file (track) that plays is **Twain15.mp3**.
- **Skipped** indicates a folder that does not contain audio files. Your CD player cannot read these folders.
- If a folder contains both MP3 and non-MP3 files, your CD player skips the non-MP3 files.

## Using repeat playback

### Audio CD

#### To repeat a track or an entire CD:

- 1 Press the ►|| / ▲ button.
- 2 To repeat the same track, press the **MODE/CLEAR** button once. **REP 1** appears on the display. Your CD player repeats the current track until you press the ■ / ▼ button or press the **MODE/CLEAR** button four times.
- 3 To repeat the entire CD, press the **MODE/CLEAR** button twice. **REP A** appears on the display. Your CD player repeats the entire CD. Press the **MODE/CLEAR** button three times to cancel repeat mode.

## MP3 or WMA CD

### To repeat a track, an entire CD, or an album:

- 1 Press the ►|| / ▲ button.
- 2 To repeat the same track, press the **MODE/CLEAR** button once. **REP 1** appears on the display. Your CD player repeats the current track until you press the ■ / ▼ button or press the **MODE/CLEAR** button four times.
- 3 To repeat the entire MP3/WMA CD, press the **MODE/CLEAR** button twice. **REP A** appears on the display. Press the **MODE/CLEAR** button four times to cancel repeat mode.
- 4 To repeat the entire album (folder), press the **MODE/CLEAR** button three times. **REP D** appears on the display. Press the **MODE/CLEAR** button three times to cancel repeat mode.

## Using INTRO play

You can play the first 10 seconds of each track on a CD to help you find the track you want.

### To use INTRO play:

- 1 Press the ►|| / ▲ button.
- 2 Press the **MODE/CLEAR** button three times for an audio CD or four times for an MP3 or WMA CD to start INTRO play. **INT** appears on the display. Your CD player plays the first 10 seconds of each track on the CD.

**Tip**

After your CD player plays the first 10 seconds of all the tracks on the CD, your player waits 30 seconds, then turns off.

- 3 Press the **MODE/CLEAR** button twice more to cancel INTRO play and resume normal playback.

## Playing tracks randomly

### To randomly play tracks:

- 1 Press the **MODE/CLEAR** button four times for an audio CD or five times for an MP3 or WMA CD to start random mode. **RND** appears on the display.
- 2 Press the **▶|| / ▲** button to start playback in Random order.
- 3 Press the **◀◀ / ◀** or **▶▶ / ▶** button to go to the previous or next random track.
- 4 Press the **MODE/CLEAR** button once to return to the normal playback.

## Programming a playback list

### Audio CD

### To program a playlist:

- 1 Press the **▶|| / ▲** button, wait five seconds, then press the **■ / ▼** button.
- 2 Press the **PROG/ENTER** button. The track number and **P** appear on the display to indicate the first selection.

P  
CD 00 P-01

Track number      Program number

- 3 Press the **◀◀ / ◀** or **▶▶ / ▶** button to select the track you want to add to the playlist.
- 4 Press the **PROG/ENTER** button once to store the track into memory.

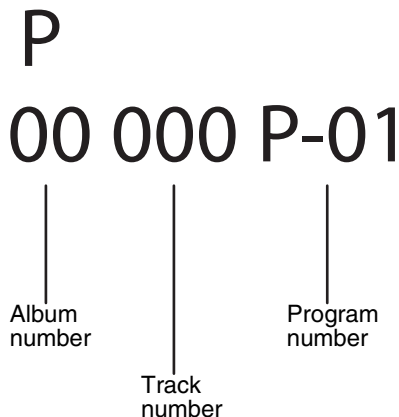
- 5 Repeat Steps 3 and 4 to program as many as 24 tracks.
- 6 Press the ►|| / ▲ button once to start programmed playback.
- 7 To cancel the playlist, press and hold the **MODE/CLEAR** button for three seconds.

**Note**

During program playback, if you want to play the playlist repeatedly, press the **MODE/CLEAR** button one or more times until **REP A** appears on the display.

**MP3 or WMA CD****To program a playlist:**

- 1 Press the ►|| / ▲ button, wait eight seconds, then press the ■ / ▼ button.
- 2 Press the **PROG/ENTER** button. The album number, track number, and program number appear on the display. The album number flashes.



- 3 Press the ◀◀ / ◀ or ▶▶ / ▶ button to select the album you want to add to the playlist.
- 4 Press the **PROG/ENTER** button once to store the album into memory. The album number stops flashing, and the track number starts flashing.
- 5 Press the ◀◀ / ◀ or ▶▶ / ▶ button to select the track you want to add to the playlist.
- 6 Press the **PROG/ENTER** button to store the track into memory.



- 7 Repeat the Steps 3 through 6 to program as many as 24 tracks.
- 8 Press the ►|| / ▲ button once to start programmed playback.
- 9 To cancel the playlist, press and hold the **MODE/CLEAR** button for three seconds.

## Using the anti-shock feature

When your CD player moves during playback (for example, when you are walking or in a moving vehicle), your player may be subject to bumps or vibrations.

When you press the ►|| / ▲ button, the anti-shock feature turns on automatically and **ESP** flashes on the display. The CD spins faster and your CD player stores the audio in memory to make sure that playback does not pause or skip.

If your player is bumped or vibrated too much, the memory buffer gets full and **ESP** stops flashing on the display. If the memory buffer is full, the sound mutes for a short time. After the bumping or vibration stops, your player resumes normal playback.

### Note

You should use the anti-shock feature only when necessary. Using the anti-shock feature while your CD player is running on battery power uses additional battery power.

To turn off the anti-shock feature when playing an audio CD, press the **MENU/ESP/PRESET** button. You cannot turn off the anti-shock feature when playing an MP3 or WMA CD.

The anti-shock feature will not correct playback errors if the CD is scratched or dirty.

## Playing the radio

### Note

The headphone cable is the FM antenna. For best reception, make sure that the cable is fully extended.

### To play the radio:

- 1 Set the **FUNCTION** switch to **RADIO**, then press the ►|| / ▲ button.
- 2 Press the **MODE/CLEAR** button to select **FM MONO** or **FM STEREO**.

### Note

If you select **FM STEREO** and the radio signal is weak, **STEREO** appears on the display. Press the **MODE/CLEAR** button to switch to **FM MONO**. The audio plays in mono, but the background static is reduced.

- 3 To turn off the radio, press the ■ / ▼ button.

### *Tuning to a radio station*

**To manually tune to a radio station:**

- Quickly press and release the **◀◀ / ◀** or **▶▶ / ▶** button one or more times until you find the station you want.

**To automatically tune to a radio station:**

- Press and hold the **◀◀ / ◀** or **▶▶ / ▶** button. Your CD player automatically tunes to the first clear station.

### **Programming radio stations**

You can program as many as 10 radio stations into memory for each band.

**To program a station:**

- 1 Set the **FUNCTION** switch to **RADIO**.
- 2 Select the radio band and tune to the station you want to program.
- 3 Press the **PROG/ENTER** button.
- 4 When **PROG** appears on display, press **ESP/MENU/PRESET** to select the storage location, then press **PROG/ENTER** to store the station.
- 5 Repeat Steps 3 and 4 to program additional stations.

**Note**

If you program a station to a preset number that already has been assigned to a station, the new station replaces the old station.

### *Tuning to a programmed station*

**To tune to a programmed station:**

- 1 Set the **FUNCTION** switch to **RADIO**.
- 2 Press the **MENU/ESP/PRESET** button to turn on the radio.
- 3 Press the **MENU/ESP/PRESET** button one or more times until the preset number you want appears on the display.

## Troubleshooting

**Warning**

Do not try to repair your CD player. There are no serviceable parts inside. Opening the case voids your warranty. Refer all servicing to qualified service personnel.

Problem	Possible cause	Possible solution
CD player will not turn on.	Batteries are inserted incorrectly.	Make sure that the + and – symbols on the batteries match the + and – symbols inside the battery compartment.
	Batteries are dead.	Replace the batteries.
	AC power adapter is not connected correctly.	Make sure that the AC power adapter is connected correctly.
CD does not play or stops playing	CD compartment door is not closed.	Press down on the CD compartment door to make sure that it is completely closed.
	Water may have condensed on the lens.	Open the CD compartment door and leave it open for about one hour to let it dry out.
	CD is inserted incorrectly.	Make sure that the CD is inserted with the label facing up.
	CD is scratched or damaged.	Try another CD.
	MP3 or WMA files may have been corrupted when they were created or downloaded, or when they were being recorded to the CD.	Make sure that the MP3 or WMA files are not corrupt. If necessary, burn the files to a new CD.
Playback does not start from the first track.	RESUME or PROGRAM mode may be active.	Turn off RESUME or PROGRAM mode.

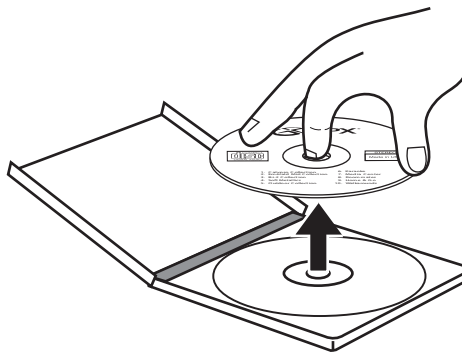
Problem	Possible cause	Possible solution
No sound or poor sound quality.	Cables may not be connected correctly and securely.	Make sure that all the cables are connected correctly and securely.
	Volume is set too low.	Increase the volume.
	The headphone connector may be dirty.	Clean the headphone connector.
	Your CD player may be too close to magnetic interference, such as unshielded speakers.	Move your CD player away from magnetic fields.
	Temperature inside the car may be too cold or too hot.	Adjust the car temperature.
	The cigarette socket may be dirty.	Clean the cigarette socket.
	Your CD player may be in reverse mode.	Make sure that your CD player is not in reverse mode.

**Note**  
 If the CD is still not playing correctly after you try these troubleshooting solutions, turn your CD player off, wait five seconds, then turn it on again.

## Maintaining

### Handling CDs

- To remove a CD from its case, hold it at the edges while you press down gently on the center hole.



- Do not touch the shiny surface of the CD or bend the CD.
- Place the CD into the CD compartment with the label facing up.
- Store CDs in their cases when you are not using them.

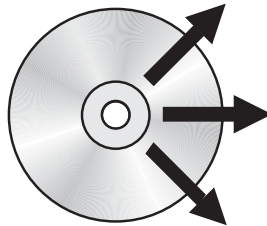
- Do not store CDs in areas where they can get hot, such as an automobile.
- Do not write on the label side of the CD with a ballpoint pen because you may scratch the surface.

## Cleaning CDs

A dirty CD may not play correctly.

### To clean a CD:

- With a soft cloth, wipe the CD in a straight line from the center to the edge.

**Caution**

Do not use any solvent, such as record spray, thinner, or benzene, to clean a CD.

## Cleaning your CD player

### To clean your CD player, follow these guidelines:

- Use a soft, clean cloth moistened with plain, luke-warm water to clean the exterior of your CD player.
- Never use solvents such as benzene or other strong chemical cleaners because these could damage your CD player's finish.
- Do not let liquid drip into the inside of your CD player.

## Specifications

### Audio

D/A conversion	1-bit DAC, 8 times oversampling
Frequency response	20-20,000 Hz
Anti-shock	CD: 160 seconds MP3: 480 seconds WMA: 960 seconds
Wow and flutter	Below measurable limits
Number of channels	2 channels (stereo)
Output level	Line output: 0.6V rms (47K Ohm) Headphone: 15mW (32 Ohm)

### MP3/WMA

**Note**

Make sure that your CD burner (recorder) complies with these specifications. For more information, see the CD burner documentation.

MPEG Rate	32-384 Kbps
Sampling Frequency	8/48 KHz
MP3 Playback	ISO9660-format compatible
MPEG rate supported	MP3 format: Supported 32~384kbps and VBR compatible WMA format: Supported 16~192kbps and VBR compatible

### Power

General Power requirements	2 LR6 / UM-3 / AA alkaline batteries DC IN 4.5V jack accepts AC power adapter (center positive)
Power consumption	0.8 W (DC 3V)

**Note**

Specifications and design are subject to change without notice.

## Legal notices

### *FCC Part 15*

**Warning**

Modifications not authorized by the manufacturer may void the user's authority to operate this device.

This device complies with Part 15 of the FCC Rules. Operation of this product is subject to the following two conditions: (1) this device may not cause harmful interference, and (2) this device must accept any interference received, including interference that may cause undesired operation.

This equipment has been tested and found to comply within the limits for a class B digital device, pursuant to Part 15 of the FCC Rules. These limits are designed to provide reasonable protection against harmful interference in a residential installation. This equipment generates, uses, and can radiate radio frequency energy and, if not installed and used in accordance with the instructions, may cause harmful interference to radio communications. However, there is no guarantee that interference will not occur in a particular installation. If this equipment does cause harmful interference to radio or television reception, which can be determined by turning the equipment off and on, the user is encouraged to try to correct the interference by one or more of the following measures:

- Reorient or relocate the receiving antenna.
- Increase the separation between the equipment and receiver.
- Connect the equipment into an outlet on a circuit different from that to which the receiver is connected.
- Consult the dealer or an experienced technician for help.

### *Canada ICES-003 statement*

This Class B digital apparatus complies with Canadian ICES-003.

### *Copyright*

© 2007 Insignia. Insignia and the Insignia logo are trademarks of Best Buy Enterprise Services, Inc. Other brands and product names are trademarks or registered trademarks of their respective holders. Specifications and features are subject to change without notice or obligation.

For service and support call (877) 467-4289.





## 90-day limited warranty

Insignia Products ("Insignia") warrants to you, the original purchaser of this new **NS-P4113** ("Product"), that the Product shall be free of defects in the original manufacture of the material or workmanship for a period of 90 days from the date of your purchase of the Product ("Warranty Period"). This Product must be purchased from an authorized dealer of Insignia brand products and packaged with this warranty statement. This warranty does not cover refurbished Product. If you notify Insignia during the Warranty Period of a defect covered by this warranty that requires service, terms of this warranty apply.

### ***How long does the coverage last?***

The Warranty Period lasts for 90 days from the date you purchased the Product. The purchase date is printed on the receipt you received with the Product.

### ***What does this warranty cover?***

During the Warranty Period, if the original manufacture of the material or workmanship of the Product is determined to be defective by an authorized Insignia repair center or store personnel, Insignia will (at its sole option): (1) repair the Product with new or rebuilt parts; or (2) replace the Product at no charge with new or rebuilt comparable products or parts. Products and parts replaced under this warranty become the property of Insignia and are not returned to you. If service of Products or parts are required after the Warranty Period expires, you must pay all labor and parts charges. This warranty lasts as long as you own your Insignia Product during the Warranty Period. Warranty coverage terminates if you sell or otherwise transfer the Product.

### ***How to obtain warranty service?***

If you purchased the Product at a retail store location, take your original receipt and the Product to the store you purchased it from. Make sure that you place the Product in its original packaging or packaging that provides the same amount of protection as the original packaging. If you purchased the Product from an online web site, mail your original receipt and the Product to the address listed on the web site. Make sure that you put the Product in its original packaging or packaging that provides the same amount of protection as the original packaging.

To obtain in-home warranty service for a television with a screen 25 inches or larger, call 1-888-BESTBUY. Call agents will diagnose and correct the issue over the phone or will have an Insignia-approved repair person dispatched to your home.

### ***Where is the warranty valid?***

This warranty is valid only to the original purchaser of the product in the United States and Canada.

### ***What does the warranty not cover?***

This warranty does not cover:

- Customer instruction
- Installation
- Set up adjustments
- Cosmetic damage
- Damage due to acts of God, such as lightning strikes
- Accident
- Misuse
- Abuse
- Negligence
- Commercial use

- Modification of any part of the Product, including the antenna
- Plasma display panel damaged by static (non-moving) images applied for lengthy periods (burn-in).

This warranty also does not cover:

- Damage due to incorrect operation or maintenance
- Connection to an incorrect voltage supply
- Attempted repair by anyone other than a facility authorized by Insignia to service the Product
- Products sold as is or with all faults
- Consumables, such as fuses or batteries
- Products where the factory applied serial number has been altered or removed

REPAIR REPLACEMENT AS PROVIDED UNDER THIS WARRANTY IS YOUR EXCLUSIVE REMEDY. INSIGNIA SHALL NOT BE LIABLE FOR ANY INCIDENTAL OR CONSEQUENTIAL DAMAGES FOR THE BREACH OF ANY EXPRESS OR IMPLIED WARRANTY ON THIS PRODUCT, INCLUDING, BUT NOT LIMITED TO, LOST DATA, LOSS OF USE OF YOUR PRODUCT, LOST BUSINESS OR LOST PROFITS. INSIGNIA PRODUCTS MAKES NO OTHER EXPRESS WARRANTIES WITH RESPECT TO THE PRODUCT, ALL EXPRESS AND IMPLIED WARRANTIES FOR THE PRODUCT, INCLUDING, BUT NOT LIMITED TO, ANY IMPLIED WARRANTIES OF AND CONDITIONS OF MERCHANTABILITY AND FITNESS FOR A PARTICULAR PURPOSE, ARE LIMITED IN DURATION TO THE WARRANTY PERIOD SET FORTH ABOVE AND NO WARRANTIES, WHETHER EXPRESS OR IMPLIED, WILL APPLY AFTER THE WARRANTY PERIOD. SOME STATES, PROVINCES AND JURISDICTIONS DO NOT ALLOW LIMITATIONS ON HOW LONG AN IMPLIED WARRANTY LASTS, SO THE ABOVE LIMITATION MAY NOT APPLY TO YOU. THIS WARRANTY GIVES YOU SPECIFIC LEGAL RIGHTS, AND YOU MAY ALSO HAVE OTHER RIGHTS, WHICH VARY FROM STATE TO STATE OR PROVINCE TO PROVINCE.

Contact Insignia:

For customer service please call 1-877-467-4289

[www.insignia-products.com](http://www.insignia-products.com)

INSIGNIA™ is a trademark of Best Buy Enterprise Services, Inc.

Distributed by Best Buy Purchasing, LLC.

Insignia, 7601 Penn Avenue South, Richfield, Minnesota, U.S.A.

# Lecteur de CD/MP3/WMA portatif et syntoniseur numérique FM NS-P4113

## Table des matières

Bienvenue . . . . .	27
Informations sur la sécurité . . . . .	28
Fonctionnalités . . . . .	29
Installation du lecteur de CD . . . . .	34
Fonctionnement du lecteur de CD . . . . .	36
Problèmes et solutions . . . . .	46
Maintenance . . . . .	47
Spécifications . . . . .	49
Avis juridiques . . . . .	50
Garantie limitée de 90 jours . . . . .	51

## Bienvenue

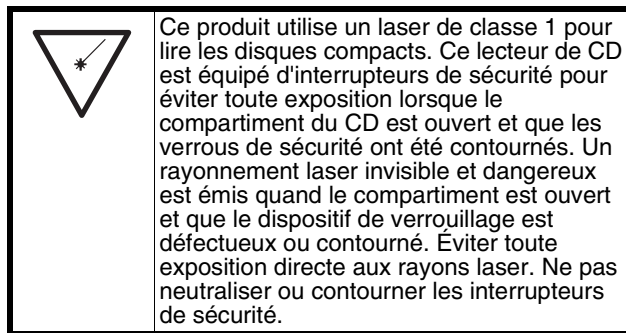
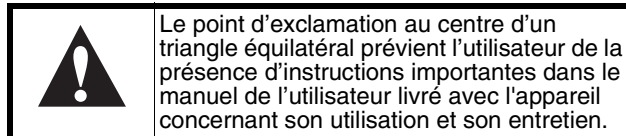
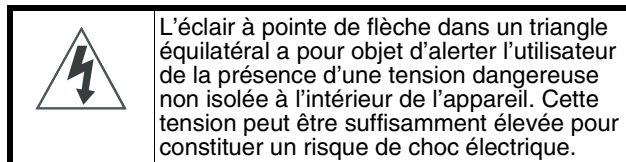
Félicitations d'avoir acheté ce produit Insignia de haute qualité. Le modèle NS-P4113 représente la dernière avancée technologique dans la conception de lecteur de CD portatif et a été conçu pour des performances et une fiabilité exceptionnelles.

## Informations sur la sécurité



### Avertissement

Afin de réduire le risque de choc électrique, ne pas enlever le couvercle (ou le panneau arrière). Aucune pièce interne ne peut être réparée par l'utilisateur. Toutes les réparations doivent être réalisées par du personnel qualifié.



### **Protection contre les surtensions :**

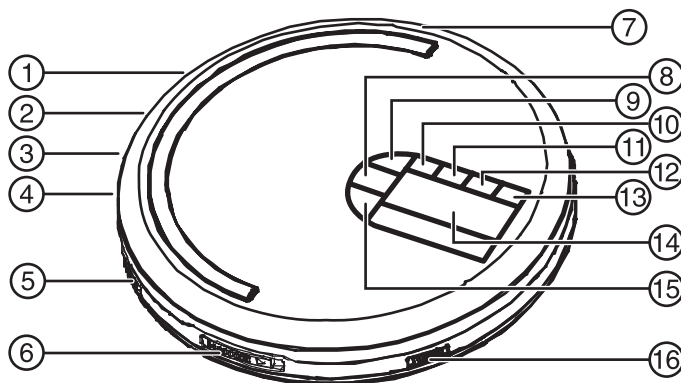
Il est recommandé d'utiliser une protection contre les surtensions quand le lecteur de CD est branché sur une alimentation CA. La protection contre les surtensions permettra de protéger le lecteur de CD de la foudre et des pics de tensions, qui ne sont pas couverts par la garantie.



**Observer les précautions de sécurité suivantes :**



- Lire et conserver toutes les instructions.
- Ne pas ouvrir le compartiment CD lorsque le CD tourne.
- Toujours fermer le compartiment du CD lorsqu'il n'est pas utilisé.
- Écarter tout objet étranger du compartiment du CD.
- Positionner l'appareil sur une surface stable.
- Éviter d'installer l'appareil dans l'un des endroits suivants :
  - Emplacements recevant la lumière directe du soleil ou proches d'appareils générant un rayonnement thermique, tels que des chauffages électriques.
  - Au-dessus d'autres équipements stéréophoniques générant une trop forte quantité de chaleur.
  - Emplacements dont la ventilation est limitée ou très poussiéreux.
  - Emplacements soumis à des vibrations constantes.
  - Emplacements humides.

**Précautions**

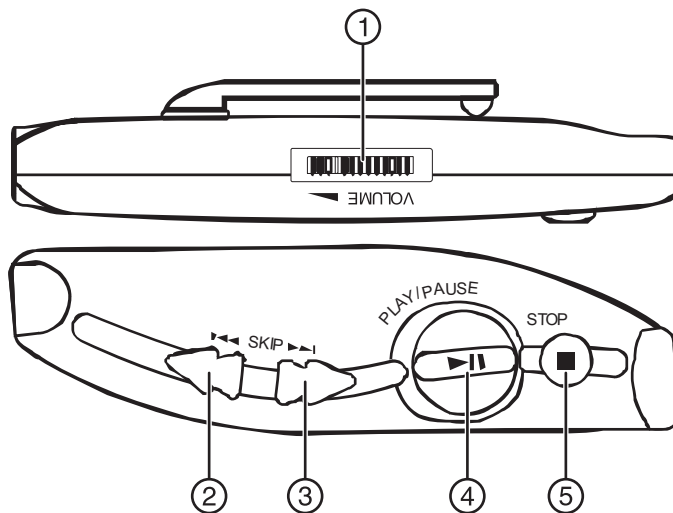
L'appareil ne doit pas être exposé à des éclaboussures ou des gouttes d'eau et aucun objet rempli de liquide, tel qu'un vase, ne doit être posé sur lui.

**Fonctionnalités**

N°	Éléments	Description
1	Touche blocage	La faire glisser pour verrouiller les commandes de touches en cas d'appui accidentel.
2	Prise SORTIE LIGNE	Brancher un câble audio sur ce connecteur et sur la prise CD/AUX d'un périphérique audio.
3	Prise CASQUE D'ÉCOUTE	Brancher le casque sur cette prise.
4	Commande du volume	La faire glisser pour régler le volume.
5	Commutateur de DBBS	Le faire glisser en position ON pour activer la fonction d'amplification des graves. Le faire glisser en position OFF pour désactiver la fonction d'amplification des graves.
6	Touche d'ouverture	Pour ouvrir le compartiment du CD.
7	Prise D'ENTRÉE CC	Brancher le cordon d'alimentation optionnel CA/CC sur cette prise et sur une prise secteur CA.
8		<ul style="list-style-type: none"> <li>Permet de lancer ou d'interrompre momentanément la lecture d'un CD.</li> <li>Pendant la lecture d'un CD de MP3 ou de WMA, permet la recherche en avant.</li> </ul>
9	MENU/ESP/PRÉDÉFINI	<ul style="list-style-type: none"> <li>Pendant la lecture d'un CD audio, permet d'activer ou de désactiver la fonction antichoc.</li> <li>Au cours de la lecture d'un CD de MP3 ou de WMA, permet de lancer la recherche.</li> </ul>
10		<ul style="list-style-type: none"> <li>Pendant la lecture d'un CD audio, permet d'effectuer un saut ou une recherche arrière rapide.</li> <li>Pendant la lecture d'un CD de MP3 ou de WMA, permet la recherche en arrière.</li> <li>En mode radio, permet de syntoniser les stations radio à fréquence inférieure.</li> </ul>

N°	Éléments	Description
11		<ul style="list-style-type: none"> <li>• Pendant la lecture d'un CD audio, permet d'effectuer un saut ou une recherche avant rapide.</li> <li>• Pendant la lecture d'un CD de MP3 ou de WMA, permet la recherche en avant.</li> <li>• En mode radio, permet de syntoniser les stations radio à fréquence supérieure.</li> </ul>
12	PROG/ENTRÉE	Lors de la programmation d'une liste de lecture ou de stations radio, permet d'accéder à la fonctionnalité de programmation et de confirmer les sélections.
13	MODE/EFFACER	Permet de sélectionner le mode de lecture. Il est possible de sélectionner REPEAT 1, ALL, DIR., INTRO, ou RANDOM (Répéter 1, Tout, Répertoire, Introduction ou Aléatoire).
14	Écran ACL	Affiche l'information sur le disque en cours de lecture et sur les différentes fonctions du lecteur de CD.
15		<ul style="list-style-type: none"> <li>• Permet d'arrêter la lecture du CD audio.</li> <li>• Permet d'annuler une liste de lecture.</li> <li>• Permet d'effectuer une recherche en arrière sur un CD de MP3 ou de WMA.</li> </ul>
16	FONCTION	Sélecteur de CD ou Radio.

## Télécommande



N°	Touche	Description
1	VOLUME	La faire glisser pour régler le volume.
2	⏮	<ul style="list-style-type: none"> <li>Lors de la lecture d'un CD audio, permet d'effectuer un saut ou une recherche arrière rapide.</li> <li>Lors de la lecture d'un CD de MP3 ou de WMA, permet la recherche en arrière.</li> <li>En mode radio, permet de syntoniser les stations radio à fréquence inférieure.</li> </ul>
3	⏭	<ul style="list-style-type: none"> <li>Lors de la lecture d'un CD audio, permet d'effectuer un saut ou une recherche avant rapide.</li> <li>Lors de la lecture d'un CD de MP3 ou de WMA, permet la recherche en avant.</li> <li>En mode radio, permet de syntoniser les stations radio à fréquence supérieure.</li> </ul>



N°	Touche	Description
4	▶	<ul style="list-style-type: none"><li>• Permet de lancer ou d'interrompre momentanément la lecture d'un CD.</li><li>• Lors de la lecture d'un CD de MP3 ou de WMA, permet la recherche en avant.</li></ul>
5	■	<ul style="list-style-type: none"><li>• Permet d'arrêter la lecture du CD audio.</li><li>• Permet d'annuler une liste de lecture.</li><li>• Permet d'effectuer une recherche en arrière sur un CD de MP3 ou de WMA.</li></ul>

## Installation du lecteur de CD

### Installation des piles

#### Pour installer les piles :

- 1 Faire glisser le couvercle du compartiment des piles (situé sous l'appareil), puis le soulever. Ne pas enlever le couvercle du compartiment.
- 2 Insérer deux piles alcalines AA dans le compartiment. Veiller à ce que les pôles + et – des piles coïncident avec les repères + et – figurant à l'intérieur du compartiment.
- 3 Replacer le couvercle du compartiment.

#### Précautions

N'utiliser que la taille et le type de piles spécifiés.

Veiller à ce que les pôles + et – des piles coïncident avec les repères + et – figurant à l'intérieur du compartiment. Si les piles ne sont pas insérées correctement, l'appareil risque d'être endommagé.

Ne pas mélanger différents types de piles (par exemple : alcalines, rechargeables et au carbone-zinc).

Ne pas mélanger des piles neuves et usagées.

Si l'appareil ne doit pas être utilisé pendant une période prolongée, retirer les piles afin d'éviter tout épanchement d'acide éventuel pouvant provoquer des dommages ou des blessures.

Ne pas essayer de recharger des piles qui ne sont pas conçues pour cela. Elles peuvent surchauffer et exploser.

#### Remarque

Si le symbole « LOW BATTERY » (piles faibles) s'affiche, cela indique que les piles doivent être remplacées.

## Utilisation du cordon d'alimentation CA/CC optionnel

### Pour utiliser le cordon d'alimentation CA/CC optionnel

- 1 Brancher une extrémité du cordon d'alimentation CA/CC sur la prise d'entrée CC (DC INPUT) située à l'arrière de l'appareil.
- 2 Brancher l'autre extrémité du cordon d'alimentation CA/CC sur une prise secteur CA.

#### Remarque

Si l'adaptateur CA est branché alors que les piles sont installées, l'alimentation bascule automatiquement sur la source CA.

N'utiliser que le cordon d'alimentation CA/CC fourni. D'autres types de cordons d'alimentation peuvent endommager le lecteur de CD.

Vérifier que le cordon d'alimentation CA/CC est conforme à la tension de la prise secteur du domicile avant de le connecter.

Si l'alimentation CA n'est pas utilisée, débrancher le cordon CA/CC.

Ne pas toucher le cordon d'alimentation CA/CC avec des mains mouillées lorsqu'il est connecté à une prise secteur CA.

## Connexion à un périphérique audio

### Pour connecter l'appareil à un périphérique audio :

- 1 Vérifier que le lecteur de CD est hors tension et le débrancher (en cas d'utilisation d'un cordon d'alimentation CA/CC).
- 2 Brancher une extrémité d'un câble audio sur le connecteur LINE OUT (Sortie ligne) de l'appareil.
- 3 Brancher l'autre extrémité du câble audio sur la prise CD/AUX du périphérique audio. Ne pas brancher le câble sur la prise PHONE (Casque d'écoute) d'un amplificateur.

## Connexion du casque d'écoute

### Pour connecter le casque d'écoute :

- Brancher le câble du casque d'écoute sur la prise PHONE (Casque d'écoute) du lecteur de CD.

## Fonctionnement du lecteur de CD

### Lecture d'un CD

**Précautions**

Cet appareil est conçu pour la lecture de CD audio. Ne pas essayer de lire d'autres types de disques.

**Pour lire un CD :**

- 1 Connecter le casque d'écoute (inclus) ou d'autres types d'écouteurs à la prise PHONE (Casque d'écoute) du lecteur de CD.
- 2 Appuyer sur **OPEN** (Ouvrir) pour ouvrir le compartiment du CD.
- 3 Insérer un disque avec l'étiquette vers le haut.
- 4 Refermer le compartiment du CD jusqu'à ce qu'un déclic se fasse entendre.
- 5 Régler la commande du **VOLUME** au minimum.
- 6 Appuyer sur ►|| ▲. Le lecteur de CD se met en marche et commence la lecture du disque. **Now Reading** (Lecture en cours), puis le nombre total de pistes du CD audio (ou le nombre total de pistes et d'albums des MP3 ou des WMA) et la durée totale de lecture s'affichent.

Quand la lecture du disque commence, le nombre total de pistes audio du CD (ou le nombre total de pistes et d'albums des MP3 ou des WMA) et la durée écoulée s'affichent.

- 7 Régler le volume à un niveau sonore confortable. Ne pas lire un disque à un volume trop élevé, car cela pourrait endommager l'ouïe.
- 8 Pour arrêter momentanément la lecture, appuyer sur ►|| /▲. La durée écoulée et le numéro de piste du CD audio (ou le numéro de piste et d'album des MP3 ou des WMA) clignotent sur l'affichage. Appuyer de nouveau sur cette touche pour reprendre la lecture.

9 Pour arrêter la lecture, appuyer une fois sur ■/▼.

10 Pour arrêter l'appareil, appuyer deux fois sur ■/▼.

#### Remarques

Quand le compartiment du CD est ouvert accidentellement pendant la lecture, le message **OPEN** (Couvercle ouvert) s'affiche.

Vérifier que le CD a fini de tourner avant d'ouvrir le compartiment. Si le compartiment est ouvert la lecture s'arrête.

Cet appareil peut lire des CD deux titres de 3 po (8 cm) sans adaptateur.

Si un CD-RW qui n'a pas été enregistré correctement est mis en lecture, le message **Disc Error** (Erreur disque) s'affiche.

Pendant la lecture d'un disque **EPS** (Fonction antichoc) clignote.

### Arrêt automatique

Si le lecteur de CD est en mode arrêt (veille) pendant plus de 60 secondes, il s'arrête automatiquement pour économiser les piles. Quand le lecteur de CD s'arrête, tous les paramètres, tels que les modes de programmation et de lecture, sont effacés.

## Recherche sur un CD

### CD audio

#### Pour rechercher une piste ou une section de piste sur un CD audio :

- Appuyer une fois sur ◀◀◀ / ◀ pour aller au début de la piste en cours de lecture.
- Appuyer de façon répétée sur ◀◀◀ / ◀ pour faire une recherche arrière des pistes du CD audio.
- Appuyer une fois sur ▶▶▶ / ▶ pour aller à la piste suivante.
- Appuyer de façon répétée sur ▶▶▶ / ▶ pour faire une recherche avant des pistes du CD audio.
- Maintenir appuyée ◀◀◀ / ◀ ▶▶▶ / ▶ pour faire une recherche arrière ou avant rapide. Relâcher la touche lorsque la section souhaitée est trouvée.

#### Remarque

Pour faciliter la localisation de la piste ou section souhaitée, le niveau sonore est atténué pendant la recherche.

## CD de MP3 ou de WMA

### Pour rechercher une piste :

- Appuyer une fois sur **⏮** / **⏪** pour aller au début de la piste en cours de lecture.
- Appuyer de façon répétée sur **⏮** / **⏪** pour faire une recherche arrière des pistes du CD de MP3 ou de WMA.
- Appuyer une fois sur **⏭** / **⏩** pour passer à la piste suivante.
- Appuyer de façon répétée sur **⏭** / **⏩** pour faire une recherche avant des pistes du CD de MP3 ou de WMA.

#### Remarque

Sur les CD de MP3 ou de WMA avec plusieurs albums, ces derniers sont représentés sous la forme de « dossiers ».

### Pour rechercher le nom d'une piste :

- 1 Appuyer sur **MENU/ESP/PRESET** (Menu/Fonction antichoc/Prédéfini). **ABCDEFGHIJKL** s'affiche et le curseur clignote. Pour afficher le reste de l'alphabet, appuyer sur **▶▶** / **▲**. **MNOPQRSTUVWXYZ** s'affiche et le curseur clignote.
- 2 Appuyer sur **⏮** / **⏪** ou **⏭** / **⏩** pour sélectionner une lettre. La **lettre sélectionnée** clignote sur l'affichage.

#### Conseil

Si le nom d'un fichier MP3 a des symboles (par exemple, \*, /, -, ! ou =), sélectionner le symbole sur l'affichage.

- 3 Appuyer sur **PROG/ENTER** (PROG/Entrée). Si le lecteur de CD trouve plus d'une piste dont le nom commence avec la lettre sélectionnée, le premier nom de piste clignote sur l'affichage. Appuyer sur **⏮** / **⏪** ou **⏭** / **⏩** pour sélectionner une piste, puis appuyer sur **PROG/ENTER**.  
La lecture commence dès qu'une piste est sélectionnée.

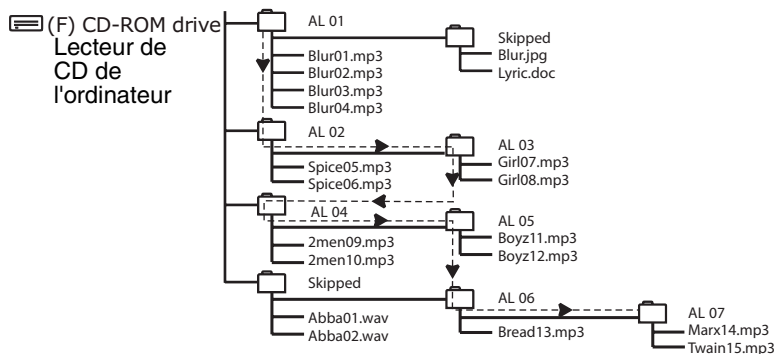
### Pour rechercher une piste dans un album :

- 1 Appuyer deux fois sur **MENU/ESP/PRESET** (Menu/Fonction antichoc/Prédéfini). Le nom de l'album s'affiche dans la rangée supérieure de l'écran et le nom de la piste s'affiche sous le nom de l'album.
- 2 Appuyer sur **▶▶** / **▲** ou **■** / **▼** pour sélectionner le nom d'un album ou appuyer sur **⏮** / **⏪** ou **⏭** / **⏩** pour sélectionner le nom d'une piste, puis appuyer sur **PROG/ENTER**. L'album ou la piste sélectionnée est lu automatiquement.

- 3 Pour une recherche dans l'ordre alphabétique, appuyer une fois sur **MENU/ESP/PRESET**, puis sur **◀◀/◀** ou **▶▶/▶** pour sélectionner les lettres (appuyer sur **▶▶/▲** ou **■/▼** pour sauter une ligne entière de l'alphabet à la fois). Appuyer sur **PROG/ENTER** pour confirmer la sélection, puis sur **▶▶/▲** pour commencer la lecture.
- 4 Pour rechercher un album (si le CD à plusieurs albums), appuyer deux fois sur **MENU/ESP/PRESET**, puis sur **▶▶/▲** ou **■/▼** pour sélectionner l'album (appuyer sur **◀◀/◀** ou **▶▶/▶** pour afficher tout le titre). Appuyer sur **PROG/ENTER** pour confirmer la sélection, puis sur **▶▶/▲** pour commencer la lecture.

## Description de l'organisation d'un CD de MP3 ou de WMA

Le tableau ci-après indique la structure du dossier pour un CD de MP3 à quatre albums.



- L'orientation de la flèche indique la séquence de la lecture des dossiers de MP3 et des fichiers.
- Cet exemple a au total quatre répertoires de MP3. Sur la base de cette organisation, le premier fichier (piste) à être lu sera **Blur01.mp3** et le dernier fichier (piste) lu sera **Twain15.mp3**.
- **Skipped** (Sauté) signifie que le dossier ne contient pas de fichiers audio. Le lecteur de CD ne peut pas lire ces dossiers.
- Si un dossier contient à la fois des fichiers MP3 et des fichiers autres, le lecteur de CD saute les fichiers qui ne sont pas MP3.

## Utilisation de la lecture répétée

### *CD audio*

#### **Pour répéter une piste ou un CD tout entier :**

- 1 Appuyer sur ►|| / ▲.
- 2 Pour répéter la même piste, appuyer une fois sur **MODE/CLEAR** (Mode/Effacer). **REP 1** (Répéter une) s'affiche à l'écran. Le lecteur de CD répète la piste en cours jusqu'à l'appui sur ■ / ▼ ou si **MODE/CLEAR** est appuyé quatre fois.
- 3 Pour répéter tout un CD, appuyer deux fois sur **MODE/CLEAR**. **REP A** (Répéter A) s'affiche à l'écran. Le lecteur répète tout le CD. Appuyer trois fois sur **MODE/CLEAR** pour annuler le mode répétition.

### *CD de MP3 ou de WMA*

#### **Pour répéter une piste, un CD tout entier ou un album :**

- 1 Appuyer sur ►|| / ▲.
- 2 Pour répéter la même piste, appuyer une fois sur **MODE/CLEAR**. **REP 1** (Répéter une) s'affiche à l'écran. Le lecteur de CD répète la piste en cours jusqu'à l'appui sur ■ / ▼ ou si **MODE/CLEAR** est appuyé quatre fois.
- 3 Pour répéter tout le CD de MP3/WMA, appuyer deux fois sur **MODE/CLEAR**. **REP A** (Répéter A) s'affiche à l'écran. Appuyer quatre fois sur **MODE/CLEAR** pour annuler le mode répétition.
- 4 Pour répéter tout l'album (dossier), appuyer trois fois sur **MODE/CLEAR**. **REP D** (Répéter D) s'affiche à l'écran. Appuyer trois fois sur **MODE/CLEAR** pour annuler le mode répétition.



## Utilisation de la lecture des introductions (INTRO)

Il est possible de lire les premières 10 secondes de chaque piste du CD pour faciliter la recherche de la piste souhaitée.

### Pour utiliser la fonction Lecture des introductions :

- 1 Appuyer sur ►|| / ▲.
- 2 Appuyer trois fois sur **MODE/CLEAR** pour un CD audio ou quatre fois pour un CD de MP3 ou de WMA, afin de commencer la lecture des introductions. **INT** (Introductions) s'affiche à l'écran. L'appareil va lire les premières 10 secondes de chaque piste du CD.

#### Conseil

Quand le lecteur a fini de lire les premières 10 secondes de chaque piste du CD, il se met hors tension après 30 secondes d'inactivité.

- 3 Appuyer deux fois ou plus sur **MODE/CLEAR** pour annuler la lecture des introductions et retourner au mode de lecture normal.

## Lecture de pistes en mode aléatoire

### Pour lire les pistes en ordre aléatoire :

- 1 Appuyer quatre fois sur **MODE/CLEAR** pour un CD audio ou cinq fois pour un CD de MP3 ou de WMA, afin de commencer la lecture aléatoire. **RND** (Aléatoire) s'affiche à l'écran.
- 2 Appuyer sur ►|| / ▲ pour commencer la lecture aléatoire.
- 3 Appuyer sur ◀◀◀ / ◀ ou ▶▶▶ / ▶ pour passer à la piste aléatoire précédente ou suivante.
- 4 Appuyer une fois sur **MODE/CLEAR** pour reprendre la lecture normale.

## Programmation d'une liste de lecture

### CD audio

#### Pour programmer une liste de lecture :

- 1 Appuyer sur ►|| / ▲, attendre cinq secondes, puis appuyer sur ■ / ▼.
- 2 Appuyer sur **PROG/ENTER** (PROG/Entrée). Le numéro de piste et **P** s'affichent à l'écran pour indiquer la première sélection.

P  
CD 00 P-01

Numéro  
de piste

Numéro du  
programme

- 3 Appuyer sur ◀◀ / ◀ ou ▶▶ / ▶ pour sélectionner la piste à ajouter à la liste de lecture.
- 4 Appuyer sur **PROG/ENTER** pour mémoriser le numéro de piste.
- 5 Répéter les étapes 3 à 4 pour programmer jusqu'à 24 pistes.
- 6 Appuyer une fois sur ►|| / ▲ pour commencer la lecture de la liste.
- 7 Pour annuler la liste de lecture, maintenir appuyée **MODE/CLEAR** pendant trois secondes.

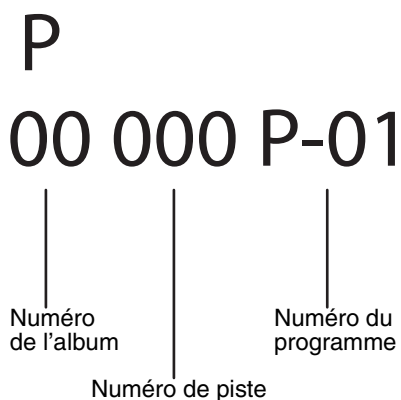
#### Remarque

Pour lire la liste en continu alors qu'elle est en cours de lecture, appuyer une ou plusieurs fois sur **MODE/CLEAR** jusqu'à l'affichage de **REP A** (Répéter A).

## CD de MP3 ou de WMA

### Pour programmer une liste de lecture :

- 1 Appuyer sur ►■ / ▲, attendre huit secondes, puis appuyer sur ■ / ▼.
- 2 Appuyer sur **PROG/ENTER**. Le numéro de l'album, de la piste et du programme s'affiche à l'écran. Le numéro de l'album clignote.



- 3 Appuyer sur ◀◀ / ◀ ou ▶▶ / ▶ pour sélectionner l'album à ajouter à la liste de lecture.
- 4 Appuyer une fois sur **PROG/ENTER** pour mémoriser l'album. Le numéro de l'album arrête de clignoter et le numéro de piste commence à clignoter.
- 5 Appuyer sur ◀◀ / ◀ ou ▶▶ / ▶ pour sélectionner la piste à ajouter à la liste de lecture.
- 6 Appuyer sur **PROG/ENTER** pour mémoriser le numéro de piste.
- 7 Répéter les étapes 3 à 6 pour programmer jusqu'à 24 pistes.
- 8 Appuyer une fois sur ►■ / ▲ pour commencer la lecture de la liste.
- 9 Pour annuler la liste de lecture, maintenir appuyée **MODE/CLEAR** pendant trois secondes.

## Utilisation de la fonction antichoc

Lorsque l'appareil est déplacé pendant la lecture (par exemple, pendant la marche ou dans un véhicule en mouvement), il peut être soumis à des chocs ou vibrations.

En appuyant sur ►|| / ▲, la fonction antichoc est activée automatiquement et **ESP** (Fonction antichoc) s'affiche sur l'écran. Le CD tourne plus vite et l'appareil mémorise l'audio pour permettre une lecture en continu sans arrêt ou saut.

Si l'appareil est soumis à des chocs ou vibrations répétées, la mémoire tampon se remplit et le symbole **ESP** arrête de clignoter. Si la mémoire tampon est pleine, le son s'arrête pendant une courte période. Dès que les chocs ou vibrations s'arrêtent, l'appareil reprend la lecture normale.

### Remarque

La fonction antichoc ne doit être utilisée que lorsque cela est nécessaire. L'utilisation de la fonction antichoc alors que l'appareil fonctionne sur piles entraîne une consommation d'énergie supplémentaire.

Pour désactiver la fonction antichoc pendant la lecture d'un CD audio, appuyer sur **MENU/ESP/PRESET**. Il n'est pas possible de désactiver la fonction antichoc lors de la lecture d'un CD de MP3 ou de WMA.

La fonction antichoc ne corrigera pas les erreurs de lecture si le CD est rayé ou sale.

## Fonctionnement de la radio

### Remarque

Le câble du casque d'écoute remplit la fonction d'antenne radio. Pour une réception optimale, vérifier que l'antenne est entièrement déployée.

### Pour utiliser la radio :

- 1 Faire glisser le sélecteur de **FONCTION** sur **RADIO**, puis appuyer sur ►|| / ▲.
- 2 Appuyer sur **MODE/CLEAR** pour sélectionner **FM MONO** ou **FM STEREO** (Stéréo).

### Remarque

En cas de sélection de **FM STEREO**, si le signal radio est faible, le message **STEREO** s'affiche. Appuyer sur **MODE/CLEAR** pour passer sur **FM MONO**. Le bruit de fond est réduit, mais la station est reproduite en mode mono.

- 3 Pour arrêter la radio, appuyer sur ■ / ▼.

### **Syntonisation d'une station radio :**

#### **Pour syntoniser manuellement une station radio :**

- Appuyer brièvement sur **◀◀ / ◀** ou **▶▶ / ▶** une ou plusieurs fois jusqu'à l'obtention de la station souhaitée.

#### **Pour syntoniser automatiquement une station radio :**

- Appuyer sur **◀◀ / ◀** ou **▶▶ / ▶**. L'appareil syntonisera automatiquement la première station à signal clair.

### **Programmation des stations de radio**

Il est possible de mémoriser jusqu'à 10 stations radio pour chaque bande.

#### **Pour programmer une station :**

- 1 Positionner le sélecteur **FUNCTION** (Fonction) sur **RADIO**.
- 2 Sélectionner la bande radio et syntoniser la station à mémoriser.
- 3 Appuyer sur **PROG/ENTER** (PROG/Entrée).
- 4 Lorsque **PROG** apparaît sur l'écran, appuyer sur **ESP/MENU/PRESET** (Fonction antichoc/Menu/Préréglage) pour sélectionner l'emplacement de stockage puis appuyer sur **PROG/ENTER** (Programmation/Entrée) pour mémoriser la station.
- 5 Répéter les étapes 3 et 4 pour mémoriser d'autres stations.

#### **Remarque**

Si une station est mémorisée avec un numéro prédéfini qui a déjà été affecté à une autre station, la nouvelle station remplace l'ancienne.

### **Syntonisation d'une station mémorisée :**

#### **Pour syntoniser une station mémorisée :**

- 1 Positionner le sélecteur **FUNCTION** (Fonction) sur **RADIO**.
- 2 Appuyer sur **MENU/ESP/PRESET** pour allumer la radio.
- 3 Appuyer une ou plusieurs fois sur **MENU/ESP/PRESET** jusqu'à ce que le numéro prédéfini s'affiche à l'écran.

## Problèmes et solutions

**Avertissement**

L'utilisateur ne doit pas essayer de réparer cet appareil lui-même. Aucune pièce interne de l'appareil ne peut être réparée. L'ouverture de l'appareil peut annuler la garantie. Toutes les réparations doivent être réalisées par du personnel qualifié.

Problème	Cause éventuelle	Solution possible
Impossible de mettre l'appareil sous tension.	Les piles ne sont pas insérées correctement.	Veiller à ce que les pôles + et – des piles coïncident avec les repères + et – figurant à l'intérieur du compartiment.
	Les piles sont mortes.	Remplacer les piles.
	L'adaptateur d'alimentation CA n'est pas connecté correctement.	Vérifier que l'adaptateur d'alimentation CA est correctement connecté.
Le CD n'est pas lu ou la lecture s'arrête	Le compartiment du CD n'est pas fermé.	Appuyer sur le couvercle du compartiment du CD pour vérifier s'il est complètement fermé.
	De la condensation s'est formée sur la lentille.	Ouvrir le compartiment du CD, et le laisser ouvert environ une heure pour que la condensation s'évapore.
	Le CD n'a pas été inséré correctement.	Vérifier que le CD est inséré correctement avec l'étiquette tournée vers le haut.
	Le CD est rayé ou endommagé.	Essayer un autre CD.
	Les fichiers MP3 ou WMA ont pu être corrompus lors de la création, du téléchargement ou de l'enregistrement du CD.	Vérifier que les fichiers MP3 ou WMA ne sont pas corrompus. Si nécessaire, enregistrer les fichiers sur un nouveau CD.
La lecture ne commence pas à partir de la première piste.	Le mode RESUME (Reprise) ou PROGRAM (Programmation) est peut-être actif.	Désactiver le mode RESUME ou PROGRAM.

Problème	Cause éventuelle	Solution possible
Absence de son ou son de mauvaise qualité	Les câbles ne sont peut-être pas connectés correctement et fermement.	Vérifier que tous les câbles sont correctement et fermement connectés.
	Le volume est trop bas.	Augmenter le volume.
	Le connecteur du casque d'écoute est peut-être sale.	Nettoyer le connecteur du casque d'écoute.
	L'appareil est peut-être placé à proximité d'une interférence magnétique, telle que des haut-parleurs non isolés.	Mettre l'appareil à l'écart des champs magnétiques.
	La température à l'intérieur du véhicule est peut-être trop froide ou trop chaude.	Régler la température du véhicule.
	La douille de l'allume-cigare est peut-être sale.	Nettoyer la douille de l'allume-cigare.
	L'appareil est peut-être en mode de lecture arrière.	Vérifier que l'appareil n'est pas en mode de lecture arrière.

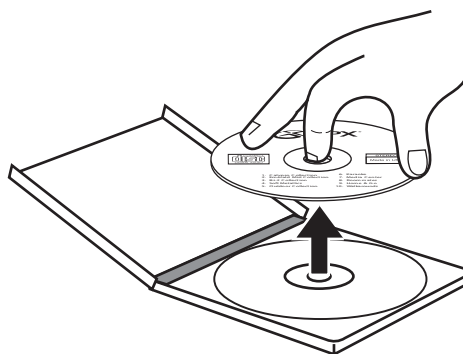
**Remarque**

Si le CD n'est toujours pas lu correctement après avoir essayé les solutions indiquées, éteindre l'appareil, attendre cinq secondes puis le remettre en marche.

## Maintenance

### Manipulation des CD

- Pour retirer un CD de son boîtier, le tenir par la périphérie tout en appuyant légèrement sur le trou central.



- Ne pas toucher la surface brillante d'un CD ou plier le CD.

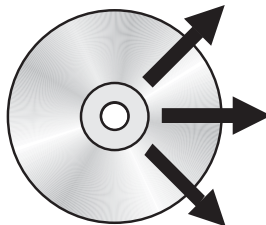
- Placer le CD sur compartiment, avec l'étiquette tournée vers le haut.
- Ranger les CD dans leurs boîtiers lorsqu'ils ne sont pas utilisés.
- Ne pas ranger des CD dans un endroit où la température peut être élevée, tel qu'un véhicule.
- Ne pas écrire sur le côté de l'étiquette du disque avec un stylo à bille, car cela pourrait le rayer.

## Nettoyage des CD

La lecture d'un CD sale risque d'être incorrecte.

### Pour nettoyer un CD :

- À l'aide d'un chiffon doux, essuyer le CD d'un mouvement rectiligne du centre vers la périphérie.



#### Précautions

Ne pas utiliser de solvants (tels que : nettoyeur pour disque, diluant ou benzène) pour nettoyer un CD.

## Nettoyage de l'appareil

### Suivre les indications suivantes pour le nettoyage de l'appareil :

- Nettoyer l'extérieur de l'appareil avec un chiffon doux, propre et humecté d'eau tiède ordinaire.
- Ne jamais utiliser de solvants tels que le benzène ou d'autres produits de nettoyage chimiques puissants car ils pourraient endommager le fini de l'appareil.
- Éviter la pénétration de gouttes de liquide à l'intérieur de l'appareil.



## Spécifications

### Audio

Conversion numérique/analogique	CNA à 1 bit, fréquence d'échantillonnage multipliée par huit.
Réponse en fréquence	20 à 20 000 Hz
Antichoc	CD : 160 secondes MP3 : 480 secondes WMA : 960 secondes
Pleurage et scintillement	Inférieur aux limites mesurables
Nombre de canaux	2 canaux (stéréo)
Niveau de sortie	Sortie ligne : 0,6 V rms (47 k ohms) Casque d'écoute : 15 mW (32 ohms)

### MP3/WMA :

**Remarque**

Vérifier que le graveur de CD utilisé est en conformité avec ces spécifications. Pour plus d'informations, voir la documentation du graveur de CD.

Taux MPEG	32 à 384 Kbps
Fréquence d'échantillonnage	8/48 kHz
Lecture de MP3	Format compatible ISO 9660
Taux MPEG pris en charge	Format MP3 : 32 à 384 kbps pris en charge et compatible DBV Format WMA : 16 à 192 kbps pris en charge et compatible DBV

### Alimentation

Alimentation requise	2 piles alcalines LR6/UM-3 de type AA La prise d'entrée CC de 4,5 V est compatible avec un adaptateur CA dont le positif est au centre
Consommation électrique	0,8 W (3 V CC)

**Remarque**

La conception et les spécifications sont sujettes à modifications sans avis préalable.

## Avis juridiques

### *FCC article 15*

**Avertissement**

Des modifications non autorisées par le fabricant peuvent annuler le droit de l'utilisateur à faire fonctionner cet appareil.

Cet appareil est conforme à l'article 15 du règlement de la FCC. Son utilisation est soumise aux deux conditions suivantes : (1) Cet appareil ne doit pas provoquer d'interférences dangereuses et (2) il doit accepter toute interférence reçue, y compris celles risquant d'engendrer un fonctionnement indésirable.

Cet équipement a été mis à l'essai et déclaré conforme aux limites prévues pour un appareil numérique de classe B, définies dans la section 15 de la réglementation FCC. Ces limites ont été établies pour fournir une protection raisonnable contre les interférences indésirables lors d'une installation résidentielle. Cet équipement génère, utilise et diffuse des ondes radio et, s'il n'est pas installé et utilisé conformément aux instructions dont il fait l'objet, il peut provoquer des interférences indésirables avec les communications radio. Cependant, il n'est pas possible de garantir qu'aucune interférence ne se produira pour une installation particulière. Si cet équipement produit des interférences importantes lors de réceptions radio ou télévisées, qui peuvent être détectées en éteignant puis en rallumant l'appareil, essayer de corriger l'interférence au moyen de l'une ou de plusieurs des mesures suivantes:

- Réorienter ou déplacer l'antenne réceptrice.
- Augmenter la distance entre l'équipement et le récepteur.
- Brancher l'équipement sur la prise secteur d'un circuit différent de celui auquel le récepteur est relié.
- Contacter le revendeur ou un technicien qualifié pour toute assistance.

### *Déclaration NMB-003 du Canada*

Cet appareil numérique de la classe B est conforme à la norme NMB-003 du Canada.

### *Droits d'auteurs*

© 2007 Insignia. Insignia et le logo Insignia sont des marques de commerce de Best Buy Enterprise Services, Inc. Les autres noms de marques et de produits mentionnés sont des marques de commerce ou des marques déposées de leurs propriétaires respectifs. Les spécifications et caractéristiques sont susceptibles d'être modifiées sans préavis.

Pour l'assistance technique, appeler le (877) 467-4289.

## Garantie limitée de 90 jours

Insignia Products ("Insignia") garantit au premier acheteur de ce **NS-P4113** neuf ("Produit"), qu'il est exempt de vices de fabrication et de main-d'œuvre à l'origine, pour une période de 90 jours à partir de la date d'achat du Produit ("Période de garantie"). Ce produit doit avoir été acheté chez un revendeur agréé des produits de la marque Insignia et emballé avec cette déclaration de garantie. Cette garantie ne couvre pas les Produits remis à neuf. Les conditions de la présente garantie s'appliquent à tout Produit pour lequel Insignia est notifié, pendant la Période de garantie, d'un vice couvert par cette garantie qui nécessite une réparation.

### ***Quelle est la durée de la couverture ?***

La Période de garantie dure 90 jours à compter de la date d'achat de ce Produit. La date d'achat est imprimée sur le reçu fourni avec le Produit.

### ***Que couvre cette garantie ?***

Pendant la Période de garantie, si un vice de matériau ou de main-d'œuvre d'origine est détecté sur le Produit par un service de réparation agréé par Insignia ou le personnel du magasin, Insignia (à sa seule discrétion) : (1) réparera le Produit en utilisant des pièces détachées neuves ou remises à neuf ; ou (2) remplacera le Produit par un produit ou des pièces neuves ou remises à neuf de qualité comparable. Les produits et pièces remplacés au titre de cette garantie deviennent la propriété d'Insignia et ne sont pas retournés à l'acheteur. Si les Produits ou pièces nécessitent une réparation après l'expiration de la Période de garantie, l'acheteur devra payer tous les frais de main d'œuvre et les pièces. Cette garantie reste en vigueur tant que l'acheteur reste propriétaire du Produit Insignia pendant la Période de garantie. La garantie prend fin si le Produit est revendu ou transféré d'une quelconque façon que ce soit à tout autre propriétaire.

### ***Comment obtenir une réparation sous garantie ?***

Si le Produit a été acheté chez un détaillant, le rapporter accompagné du reçu original chez ce détaillant. S'assurer de remettre le Produit dans son emballage d'origine ou dans un emballage qui procure la même qualité de protection que celui d'origine. Si le Produit a été acheté en ligne, l'expédier accompagné du reçu original à l'adresse indiquée sur le site Web. S'assurer de remettre le Produit dans son emballage d'origine ou dans un emballage qui procure la même qualité de protection que celui d'origine.

Pour obtenir le service de la garantie à domicile pour un téléviseur avec écran de 25 po ou plus, appeler le 1-888-BESTBUY. L'assistance technique établira un diagnostic et corrigera le problème au téléphone ou enverra un technicien agréé par Insignia pour la réparation à domicile.

### ***Où cette garantie s'applique-t-elle ?***

Cette garantie ne s'applique qu'à l'acheteur original du Produit aux États-Unis et au Canada.

### ***Ce qui n'est pas couvert par cette garantie limitée***

La présente garantie ne couvre pas :

- la formation du client ;
- l'installation ;
- les réglages de configuration ;
- les dommages esthétiques ;
- les dommages résultants de catastrophes naturelles telles que la foudre ;
- les accidents ;
- une utilisation inadaptée ;

- une manipulation abusive ;
- la négligence ;
- une utilisation commerciale ;
- la modification de tout ou partie du Produit, y compris l'antenne ;
- Un écran plasma endommagé par les images fixes (sans mouvement) qui restent affichées pendant de longues périodes (rémanentes).

La présente garantie ne couvre pas non plus :

- les dommages ayant pour origine une utilisation ou une maintenance défectueuse ;
- la connexion à une source électrique dont la tension est inadéquate ;
- Toute réparation effectuée par quiconque autre qu'un service de réparation agréé par Insignia pour la réparation du Produit
- les Produits vendus en l'état ou hors service ;
- les consommables tels que les fusibles ou les piles ;
- les produits dont le numéro de série usine a été altéré ou enlevé du Produit.

LA RÉPARATION OU LE REMPLACEMENT, TELS QU'OFFERTS PAR LA PRÉSENTE GARANTIE, CONSTITUENT LE SEUL RECOURS DE L'ACHETEUR. INSIGNIA NE SAURAIT ÊTRE TENU POUR RESPONSABLE DE DOMMAGES ACCESSOIRES OU CONSÉCUTIFS, RÉSULTANT DE L'INEXÉCUTION D'UNE GARANTIE EXPRESSE OU IMPLICITE SUR CE PRODUIT, Y COMPRIS, SANS S'Y LIMITER, LA PERTE DE DONNÉES, L'IMPOSSIBILITÉ D'UTILISER LE PRODUIT, L'INTERRUPTION D'ACTIVITÉ OU LA PERTE DE PROFITS. INSIGNIA PRODUCTS N'OCTROIE AUCUNE AUTRE GARANTIE EXPRESSE RELATIVE À CE PRODUIT ; TOUTES LES GARANTIES EXPRESSES OU IMPLICITES POUR CE PRODUIT, Y COMPRIS MAIS SANS LIMITATION, TOUTE GARANTIE DE QUALITÉ MARCHANDE, D'ADÉQUATION À UN BUT PARTICULIER, SONT LIMITÉES À LA PÉRIODE DE GARANTIE APPLICABLE TELLE QUE DÉCRITE CI-DESSUS ET AUCUNE GARANTIE EXPRESSE OU IMPLICITE, NE S'APPLIQUERONT APRÈS LA PÉRIODE DE GARANTIE. CERTAINS ÉTATS ET PROVINCES NE RECONNAISSENT PAS LES LIMITATIONS DE LA DURÉE DE VALIDITÉ DES GARANTIES IMPLICITES. PAR CONSÉQUENT, LES LIMITATIONS SUSMENTIONNÉES PEUVENT NE PAS S'APPLIQUER À L'ACHETEUR ORIGINAL. LA PRÉSENTE GARANTIE DONNE À L'ACHETEUR DES GARANTIES JURIDIQUES SPÉCIFIQUES ; IL PEUT AUSSI BÉNÉFICIER D'AUTRES GARANTIES QUI VARIENT D'UN ÉTAT OU D'UNE PROVINCE À L'AUTRE.

Pour contacter Insignia :

Pour le service à la clientèle, appeler le 1-877-467-4289

[www.insignia-products.com](http://www.insignia-products.com)

INSIGNIAMC est une marque commerciale de Best Buy Enterprise Services, Inc.

Distribué par Best Buy Purchasing, LLC.

Insignia, 7601 Penn Avenue South, Richfield, Minnesota, U.S.A.

# Reproductor de CD/MP3/WMA y sintonizador de FM digital NS-P4113

## Contenido

Bienvenido .....	53
Información de seguridad .....	54
Características .....	56
Preparación de su reproductor de CD .....	59
Uso de su reproductor de CD .....	61
Localización y corrección de fallas .....	71
Mantenimiento .....	73
Especificaciones .....	74
Avisos legales .....	76
Garantía limitada de 90 días .....	77

## Bienvenido

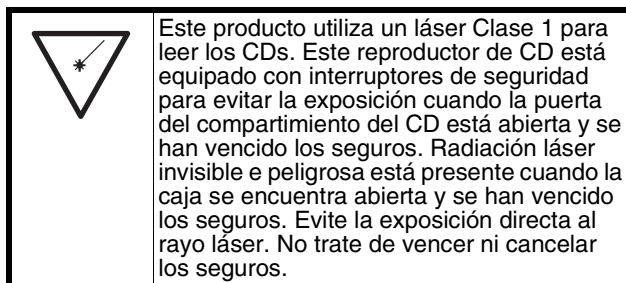
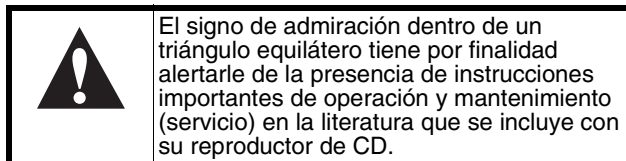
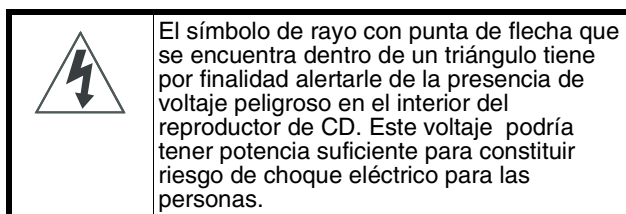
Felicitaciones por su compra de un producto de alta calidad de Insignia. Su NS-P4113 representa el más moderno diseño de reproductor de CD portátil, y está concebido para brindar un rendimiento confiable y sin problemas.

## Información de seguridad



### Advertencia

Para reducir el riesgo de choque eléctrico, no retire la cubierta o la parte posterior. No existen partes reparables por el usuario en el interior. Encomiende todas las reparaciones al personal de servicio calificado.



### **Protectores contra sobretensión:**

Le recomendamos que utilice un protector contra sobretensión cuando conecte su reproductor de CD a la alimentación de CA. Un protector contra sobretensión le ayudará a proteger su reproductor de CD contra rayos y sobretensiones, los cuales no están cubiertos por su garantía.

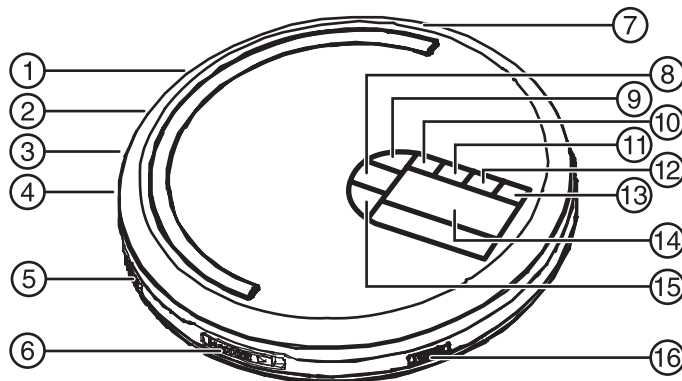
***Siga las siguientes precauciones de seguridad:***

- Lea y guarde todas las instrucciones.
- No abra la puerta del compartimiento del CD mientras el CD está girando.
- Siempre mantenga la puerta del compartimiento del CD cerrada cuando no esté en uso.
- Mantenga cualquier objeto extraño fuera del compartimiento del CD.
- Coloque su reproductor de CD sobre una superficie estable.
- Evite instalar su reproductor de CD sobre cualquiera de las siguientes ubicaciones:
  - Lugares expuestos en la luz solar directa o cerca de aparatos que son fuentes de calor tal como calefactores eléctricos.
  - Sobre otros equipos de estéreo que producen demasiado calor.
  - Lugares sin la ventilación adecuada o con polvo.
  - Lugares con vibraciones constantes.
  - Ambientes húmedos o mojados.

**Cuidado**




No exponga su reproductor de CD al goteo o salpique y no coloque objetos llenos de líquidos, tal como vasijas, sobre su reproductor de CD.

## Características

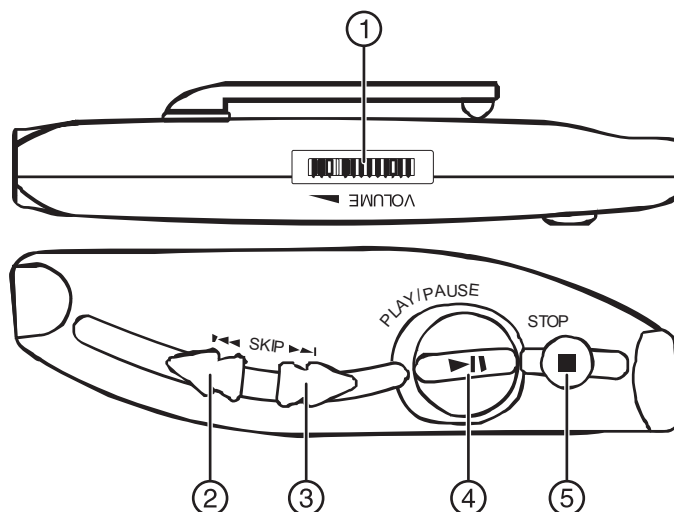


No.	Componente	Descripción
1	Interruptor de bloqueo	Deslícelo para bloquear los botones de control para que no se presione accidentalmente ningún botón.
2	Toma LÍNEA DE SALIDA	Conecte un cable de audio en este toma y en el toma CD/AUX en un sistema de audio externo.
3	Toma AURICULARES	Conecte los auriculares en este conector.
4	Interruptor de control de volumen	Deslícelo para ajustar el volumen.
5	Interruptor DBBS	Deslice a la posición ON (Activado) para activar la función de amplificación de graves. Deslice a la posición OFF (Desactivado) para desactivar la función de amplificación de graves.
6	Interruptor para abrir	Permite abrir la puerta del compartimento del CD.
7	Toma ENTRADA DE CC	Conecte el cable de alimentación CA/CC en este toma y en un tomacorriente de CA.
8	▶   / ▲	<ul style="list-style-type: none"> <li>• Cuando se reproduce un CD de audio, permite iniciar o pausar la reproducción.</li> <li>• Cuando se reproduce un CD con MP3 o WMA, permite buscar hacia arriba.</li> </ul>
9	MENÚ/ESP/PREDEFINIDO	<ul style="list-style-type: none"> <li>• Cuando se reproduce un CD de audio, permite activar o desactivar la función de anti-saltos.</li> <li>• Cuando se reproduce un CD con MP3 o WMA, permite iniciar la función de búsqueda.</li> </ul>



No.	Componente	Descripción
10		<ul style="list-style-type: none"> <li>• Cuando se reproduce un CD de audio, permite saltar a buscar rápidamente hacia atrás.</li> <li>• Cuando se reproduce un CD con MP3 o WMA, permite buscar hacia atrás.</li> <li>• Cuando se reproduce la radio, permite sintonizar una emisora con una frecuencia más baja.</li> </ul>
11		<ul style="list-style-type: none"> <li>• Cuando se reproduce un CD de audio, permite saltar a buscar rápidamente hacia adelante.</li> <li>• Cuando se reproduce un CD con MP3 o WMA, permite buscar hacia adelante.</li> <li>• En el modo de radio, permite sintonizar una frecuencia más baja.</li> </ul>
12	PROG/ENTRAR	Cuando se programa una lista de reproducción o una emisora de radio, permite abrir la función de programación y confirmar las selecciones.
13	MODO/ELIMINAR	Permite seleccionar el modo de reproducción. Puede seleccionar entre REPEAT1 (Repetir 1), ALL (Todas), DIR., INTRO, o RANDOM (Aleatorio).
14	Pantalla LCD	Muestra información sobre el disco que se reproduce actualmente y de varias funciones de su reproductor de CD.
15		<ul style="list-style-type: none"> <li>• Presione para detener la reproducción del CD de audio.</li> <li>• Permite cancelar una lista de reproducción.</li> <li>• Permite buscar hacia atrás en un CD con MP3 o WMA.</li> </ul>
16	FUNCIÓN	Permite seleccionar entre el modo de CD o Radio.

## Control remoto



No.	Botón	Descripción
1	VOLUMEN	Deslízelo para ajustar el volumen.
2	⏮	<ul style="list-style-type: none"> <li>• Cuando se reproduce un CD de audio, permite saltar a buscar rápidamente hacia atrás.</li> <li>• Cuando se reproduce un CD con MP3 o WMA, permite buscar hacia atrás.</li> <li>• Cuando se reproduce la radio, permite sintonizar una emisora con una frecuencia más baja.</li> </ul>
3	⏭	<ul style="list-style-type: none"> <li>• Cuando se reproduce un CD de audio, permite saltar a buscar rápidamente hacia adelante.</li> <li>• Cuando se reproduce un CD con MP3 o WMA, permite buscar hacia adelante.</li> <li>• En el modo de radio, permite sintonizar una frecuencia más baja.</li> </ul>
4	▶	<ul style="list-style-type: none"> <li>• Cuando se reproduce un CD de audio, permite iniciar o pausar la reproducción.</li> <li>• Cuando se reproduce un CD con MP3 o WMA, permite buscar hacia arriba.</li> </ul>

No.	Botón	Descripción
5	■	<ul style="list-style-type: none"> <li>• Presione para detener la reproducción del CD de audio.</li> <li>• Permite cancelar una lista de reproducción.</li> <li>• Permite buscar hacia atrás en un CD con MP3 o WMA.</li> </ul>

## Preparación de su reproductor de CD

### Instalación de las pilas

#### Para instalar las pilas:

- 1 Deslice la puerta del compartimiento de las pilas (ubicado en la parte inferior de su reproductor de CD) y luego levántela. No extraiga la puerta.
- 2 Inserte dos pilas alcalinas tipo AA en el compartimiento de pilas. Verifique que los símbolos + y – en las pilas coincidan con los símbolos + y – en el compartimiento de las pilas.
- 3 Cierre la puerta del compartimiento de las pilas.

#### Cuidado

Use sólo el tamaño y tipo de pilas especificados.  
 Verifique que los símbolos + y – en las pilas coincidan con los símbolos + y – en el compartimiento de las pilas. Si inserta las pilas al revés, su reproductor de CD se puede dañar.  
 No mezcle pilas de diferente tipo (tal como alcalinas, recargables y de carbono/zinc).  
 No combine pilas usadas y nuevas.  
 Si no va a usar reproductor de CD durante un período de tiempo extendido, extraiga las pilas para evitar daño o lesiones producidas por posibles fugas de las pilas.  
 No intente recargar pilas que no están diseñadas para ser recargadas. Se pueden sobrecalentar y rajarse.

#### Nota

Si en la pantalla aparece el símbolo "LOW BATTERY" (Pila baja), significa que las pilas están bajas y deben reemplazarse.

## Uso del cable de alimentación de CA/CC opcional

### Para usar el cable de alimentación de CA/CC opcional:

- 1 Conecte un extremo del cable de alimentación de CA/CC en el toma DC INPUT (Entrada de CC) en la parte posterior de su reproductor de CD.
- 2 Enchufe el otro extremo del cable de alimentación de CA/CC en un tomacorriente de CA.

#### Nota

Si el adaptador de CA se conecta cuando las pilas están instaladas, la fuente de alimentación conmutará automáticamente a la fuente de energía de CA.

Use únicamente el cable de alimentación de CA/CC suministrado. Usar otro tipo de cables puede dañar su reproductor de CD.

Asegúrese de que el adaptador de CA/CC coincide con el voltaje de su casa antes de conectarlo en un tomacorriente. Cuando no está usando la alimentación CA, desconecte el cable de alimentación de CA/CC.

No toque el cable de alimentación de CA/CC con las manos mojadas cuando está conectado a la alimentación de CA/CC.

## Conexión a un sistema de audio externo

### Para conectar su reproductor de CD a un sistema de audio externo:

- 1 Asegúrese de que su reproductor de CD esté apagado y desconectado (si está usando un cable de alimentación de CA/CC).
- 2 Conecte un extremo de un cable de audio en el toma LINE OUT (Salida de línea) en su reproductor de CD.
- 3 Enchufe el otro extremo del cable de audio en el toma CD/AUX del sistema de audio externo. No conecte el cable en el toma PHONE (Auriculares) de un amplificador.

## Conexión de los auriculares

### Para conectar los auriculares:

- Conecte el cable de auriculares en el toma PHONE (Auriculares) en su reproductor de CD.

## Uso de su reproductor de CD

### Reproducción de un CD

**Cuidado**

Su reproductor de CD está diseñado para reproducir CDs de audio. No intente reproducir ningún otro tipo de discos.

**Para reproducir un CD:**

- 1 Conecte los auriculares (incluidos) o audífonos opcionales en el toma PHONE (Auriculares) de su reproductor de CD.
- 2 Presione **OPEN** (Abrir) para abrir la puerta del compartimiento del CD.
- 3 Inserte un disco con el lado de la etiqueta hacia arriba.
- 4 Presione la puerta del compartimiento del CD hasta que escuche un clic.
- 5 Ajuste el control de **VOLUMEN** al mínimo.
- 6 Presione ►|| ▲. Su reproductor de CD se encenderá y comenzará a reproducir el disco. El indicador **Now Reading** (Lectura en curso) aparecerá en la pantalla, el número total de pistas del CD (o el número total de álbumes y pistas de MP3 o WMA), y el tiempo total de reproducción aparecerán en la pantalla.  
Después de que se comienza a reproducir el disco, el número total de pistas del CD de audio (o el número total de álbumes y pistas de MP3 o WMA) y el tiempo transcurrido aparecerán en la pantalla.
- 7 Ajuste el volumen a un nivel cómodo. No reproduzca un disco con el nivel de volumen alto ya que puede dañar su oído.
- 8 Para pausar la reproducción, presione ►|| /▲. El tiempo transcurrido y el número de pista del CD de audio (o el álbum y el número de pista MP3 o WMA) parpadearán en la pantalla. Presione el botón de nuevo para reanudar la reproducción.

- 9 Para detener la reproducción, presione ■/▼ una vez.
- 10 Para apagar su reproductor de CD, presione ■/▼ dos veces.

**Notas**

Si la puerta del compartimiento de CD se abre accidentalmente durante la reproducción, el indicador **OPEN** (Abierto) aparecerá en la pantalla.

Asegúrese de que el CD ha dejado de girar antes de que abra la puerta del compartimiento del CD. La reproducción se detendrá si abre la puerta.

Su reproductor de CD puede reproducir CD sencillos de 3 pulgadas (8 cm) sin un usar un adaptador.

Si intenta reproducir un disco CD-RW que no ha sido grabado correctamente, el indicador **Disc Error** (Error de disco) aparecerá en la pantalla.

Cuando se reproduce un disco, el indicador **EPS** parpadeará.

**Apagado automático**

Si su reproductor de CD se encuentra en el modo detenido (suspensión) por más de 60 segundos, se apagará automáticamente para ahorrar la carga de la batería. Cuando su reproductor de CD se apaga, se borrarán todos los ajustes tales como programas y modos de reproducción.

**Búsqueda en un CD****CD de audio****Para buscar una pista o una sección de una pista en un CD de audio:**

- Presione ◀◀◀/▶ una vez para regresar al comienzo de la pista que se reproduce actualmente.
- Presione ◀◀◀/▶ repetidamente para moverse hacia atrás por las pistas del CD de audio.
- Presione ▶▶▶/▶ una vez para saltar a la siguiente pista.
- Presione ▶▶▶/▶ repetidamente para moverse hacia adelante por las pistas del CD.
- Mantenga sostenido ◀◀◀/▶ o ▶▶▶/▶ para buscar rápidamente hacia atrás o hacia adelante. Cuando llegue a la sección que desea, suelte el botón.

**Nota**

Para ayudarle a localizar la pista o sección que desea, se reproduce audio de nivel bajo mientras busca.

## CD con MP3 o WMA

### Para buscar una pista:

- Presione **◀◀◀ / ◀** una vez para regresar al comienzo de la pista que se reproduce actualmente.
- Presione **◀◀◀ / ◀** repetidamente para moverse hacia atrás por las pistas del CD con MP3 o WMA.
- Presione **▶▶▶ / ▶** una vez para saltar a la siguiente pista.
- Presione **▶▶▶ / ▶** repetidamente para moverse hacia adelante por las pistas del CD con MP3 o WMA.

#### Nota

En el caso de CDs con MP3 o WMA con álbumes múltiples, los álbumes se representan como "carpetas".

### Para buscar el nombre de una pista:

- 1 Presione **MENU/ESP/PRESET** (Menú/ESP/Predefinido) una vez. El indicador **ABCDEFGHIJKL** aparecerán la pantalla y el cursor parpadeará. Para ver el resto del alfabeto presione **▶▶▶ / ▲**. El indicador **MNOPQRSTUVWXYZ** aparecerán la pantalla y el cursor parpadeará.
- 2 Presione **◀◀◀ / ◀** o **▶▶▶ / ▶** para seleccionar una letra. **La letra que seleccionó** parpadeará en la pantalla.

#### Consejo

Si un nombre de archivo MP3 contiene símbolos (por ejemplo, \*, /, -, !, o =), seleccione el símbolo en la pantalla.

- 3 Presione **PROG/ENTER** (Programar/Entrar). Si su reproductor de CD encuentra más de una pista que comienza con la letra seleccionada, el primer número de pista a parpadeará en la pantalla. Presione **◀◀◀ / ◀** o **▶▶▶ / ▶** para seleccionar una pista y presione **PROG/ENTER** (Programar/Entrar). La reproducción comenzará después que seleccione una pista.

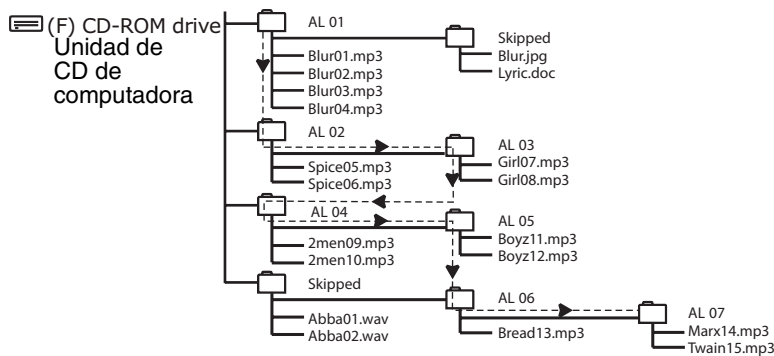
### Para buscar una pista en un álbum:

- 1 Presione **MENU/ESP/PRESET** (Menú/ESP/Predefinido) dos veces. En nombre del álbum aparecerá en la fila superior de la pantalla y el nombre de la pista aparecerá bajo el nombre del álbum.
- 2 Presione **▶▶▶ / ▲** o **■ / ▼** para seleccionar un nombre de álbum o presione **◀◀◀ / ◀** o **▶▶▶ / ▶** para seleccionar un nombre de pista y luego presione **PROG/ENTER** (Programar/Entrar). El álbum o la pista que seleccionó se reproducirá automáticamente.

- 3 Para buscar en orden alfabético, presione **MENU/ESP/PRESET** una vez **◀◀◀/◀** o **▶▶▶/▶** para seleccionar las letras. (Presione **▶▶▶/▲** o **■/▼** para saltar una línea entera del alfabeto a la vez.) Presione **PROG/ENTER** para confirmar su selección y presione **▶▶▶/▲** para comenzar a reproducir.
- 4 Para buscar un álbum (si el CD tiene álbumes múltiples), presione **MENU/ESP/PRESET** dos veces y presione **▶▶▶/▲** o **■/▼** para seleccionar el álbum. (Presione **◀◀◀/◀** o **▶▶▶/▶** para mostrar el título entero.) Presione **PROG/ENTER** para confirmar su selección y presione **▶▶▶/▲** para comenzar a reproducir.

## Entendiendo la organización del disco con MP3 o WMA

La siguiente ilustración muestra la estructura de carpetas de un CD con MP3 con cuatro álbumes.



- La trayectoria de la flecha muestra la secuencia de reproducción de las carpetas y archivos MP3.
- Este ejemplo tiene un total de cuatro directorios MP3. Basado en esta organización, el primer archivo (pista) que se reproduce es **Blur01.mp3**, y el último archivo (pista) que se reproduce es **Twain15.mp3**.
- El indicador **Skipped** (Omitido) significa que una carpeta no contenía archivos de audio. Su reproductor de CD no puede leer estas carpetas.
- Si una carpeta contiene archivos MP3 y otros que no son MP3, su reproductor CD omitirá los archivos que no son MP3.



## Uso de la reproducción repetida

### *CD de audio*

#### Para repetir una pista o un CD entero:

- 1 Presione ►|| / ▲.
- 2 Para repetir la misma pista, presione **MODE/CLEAR** (Modo/Eliminar) una vez. El indicador **REP 1** aparecerá en la pantalla. Su reproductor repetirá la pista actual hasta que presione ■ / ▼ o presione **MODE/CLEAR** (Modo/Eliminar) cuatro veces.
- 3 Para repetir todo el CD, presione **MODE/CLEAR** (Modo/Eliminar) dos veces. El indicador **REP A** aparecerá en la pantalla. Su reproductor repetirá todo el CD. Presione **MODE/CLEAR** (Modo/Eliminar) tres veces para cancelar el modo de repetición.

### *CD con MP3 o WMA*

Para repetir una pista, un CD entero o un álbum:

- 1 Presione ►|| / ▲.
- 2 Para repetir la misma pista, presione **MODE/CLEAR** (Modo/Eliminar) una vez. El indicador **REP 1** aparecerá en la pantalla. Su reproductor repetirá la pista actual hasta que presione ■ / ▼ o presione **MODE/CLEAR** (Modo/Eliminar) cuatro veces.
- 3 Para repetir todo el CD con MP3/WMA, presione **MODE/CLEAR** (Modo/Eliminar) dos veces. El indicador **REP A** aparecerá en la pantalla. Presione **MODE/CLEAR** (Modo/Eliminar) cuatro veces para cancelar el modo de repetición.
- 4 Para repetir todo el álbum (la carpeta), presione **MODE/CLEAR** (Modo/Eliminar) tres veces. El indicador **REP D** aparecerá en la pantalla. Presione **MODE/CLEAR** (Modo/Eliminar) tres veces para cancelar el modo de repetición.

## Uso de la reproducción introductoria

Puede reproducir los primeros 10 segundos de cada pista de un CD para ayudarle a encontrar la pista que desea.

### Para usar la reproducción introductoria:

- 1 Presione ►|| / ▲.
- 2 Presione **MODE/CLEAR** (Modo/Eliminar) tres veces para un CD de audio o cuatro veces para un CD con MP3 o WMA para comenzar la reproducción introductoria. El indicador **INT** aparecerá en la pantalla. El reproductor de CD reproducirá los primeros 10 segundos de cada pista del CD.

#### Consejo

Después de que su reproductor de CD reproduce los primeros 10 segundos de todas las pistas en el CD, su reproductor esperará 30 segundos y se apagará.

- 3 Presione **MODE/CLEAR** (Modo/Eliminar) dos veces para cancelar la reproducción introductoria y reanudar la reproducción normal.

## Reproducción aleatoria de pistas

### Para reproducir pistas de forma aleatoria:

- 1 Presione **MODE/CLEAR** (Modo/Eliminar) cuatro veces para un CD de audio o cinco veces para un CD con MP3 o WMA para comenzar la reproducción aleatoria. El indicador **RND** aparecerá en la pantalla.
- 2 Presione ►|| / ▲ para comenzar a reproducir aleatoriamente.
- 3 Presione ◀◀◀ / ◀ o ▶▶▶ / ▶ para saltar a la pista aleatoria anterior o la siguiente.
- 4 Presione **MODE/CLEAR** (Modo/Eliminar) una vez para reanudar la reproducción normal.

## Programación de una lista de reproducción

### CD de audio

#### Para programar una lista de reproducción:

- 1 Presione **▶|| / ▲**, espere cinco segundos y presione **■ / ▼**.
- 2 Presione **PROG/ENTER** (Programar/Entrar). El número de pista y el indicador **P** aparecerán en la pantalla para indicar la primera selección.

P  
CD 00 P-01

Número  
de pista

Número de  
programa

- 3 Presione **◀◀◀ / ◀** o **▶▶▶ / ▶** para seleccionar la pista que desea agregar a la lista de reproducción.
- 4 Presione **PROG/ENTER** (Programar/Entrar) una vez para guardar la pista en la memoria.
- 5 Repita los pasos 3 y 4 para programar hasta 24 pistas.
- 6 Presione **▶|| / ▲** una vez para comenzar la reproducción programada.
- 7 Para cancelar la lista de reproducción, que mantenga presionado **MODE/CLEAR** (Modo/Eliminar) por tres segundos.

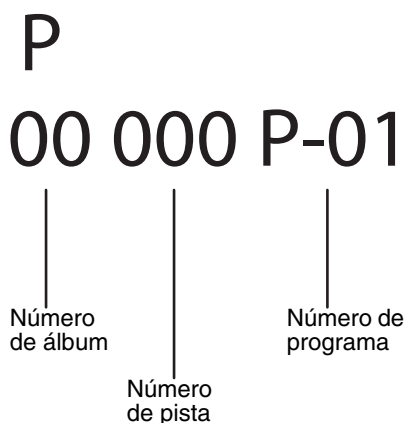
**Nota**

Durante la reproducción programada, si desea reproducir la lista de reproducción repetidamente, presione **MODE/CLEAR** (Modo/Eliminar) una o más veces hasta que el indicador **REP A** aparezca en la pantalla.

## CD con MP3 o WMA

### Para programar una lista de reproducción:

- 1 Presione **▶|| / ▲**, espere ocho segundos y presione **■ / ▼**.
- 2 Presione **PROG/ENTER** (Programar/Entrar). El número de álbum, el número de pista y el número de programa aparecerán en la pantalla. El número de álbum parpadeará.



- 3 Presione **◀◀◀ / ◀** o **▶▶▶ / ▶** para seleccionar el álbum que desea agregar a la lista de reproducción.
- 4 Presione **PROG/ENTER** (Programar/Entrar) una vez para guardar el álbum en la memoria. Dejará de parpadear el número del álbum y comenzará a parpadear el número de pista.
- 5 Presione **◀◀◀ / ◀** o **▶▶▶ / ▶** para seleccionar la pista que desea agregar a la lista de reproducción.
- 6 Presione **PROG/ENTER** (Programar/Entrar) para guardar la pista en la memoria.
- 7 Repita los pasos del 3 al 6 para programar hasta 24 pistas.
- 8 Presione **▶|| / ▲** una vez para comenzar la reproducción programada.
- 9 Para cancelar la lista de reproducción, que mantenga presionado **MODE/CLEAR** (Modo/Eliminar) por tres segundos.

## Uso de la función contra saltos

Cuando su reproductor de CD se mueve durante la reproducción (por ejemplo, cuando camina o cuando va en auto), su reproductor puede estar sujeto a golpes o vibraciones.

Cuando presiona ►|| / ▲ se activa automáticamente la función anti saltos y el indicador **ESP** parpadeará en la pantalla. El CD girará más rápido y su reproductor de CD guardará el audio en la memoria para asegurarse de que la reproducción no se pausa o salta.

Si su reproductor se golpea o vibra demasiado, el buffer de la memoria se llenará y el indicador **ESP** dejará de parpadear en la pantalla. Si el buffer de la memoria se llena, el sonido se silenciará por un corto tiempo. Después que terminen los golpes o la vibración, su reproductor reanudará automáticamente la reproducción normal.

### Nota

Deberá usar la función anti-saltos sólo cuando sea necesario. Usar la función contra golpes cuando su reproductor de CD no tiene mucha carga de pila utiliza más energía.

Para apagar la función anti saltos cuando se reproduce un CD de audio, presione **MENU/ESP/PRESET** (Menú/ESP/Predefinido). No puede apagar la función anti-saltos cuando se reproduce un CD con MP3 o WMA.

La función contra golpes no corregirá errores de reproducción si el CD está rayado o sucio.

## Cómo escuchar la radio

### Nota

El cable de auriculares es la antena de FM. Para obtener la mejor recepción, asegúrese de que el cable está completamente extendido.

### Para escuchar la radio:

- 1 Mueva el interruptor **FUNCTION** (Función) a la posición **RADIO** y presione ►|| / ▲.
- 2 Presione **MODE/CLEAR** (Modo/Eliminar) para seleccionar **FM MONO** o **FM STEREO** (FM Estéreo).

### Nota

Si selecciona **FM STEREO** y la señal de radio es débil, el indicador **STEREO** aparecerán la pantalla. Presione **MODE/CLEAR** (Modo/Eliminar) para seleccionar **FM MONO**. El audio se reproduce con sonido monofónico, pero se reduce la estática de fondo.

- 3 Para apagar el radio, presione ■ / ▼.

## Sintonización de una emisora de radio

### Para sintonizar una emisora de radio manualmente:

- Presione y suelte rápidamente **◀◀ / ◀** o **▶▶ / ▶** una o más veces hasta que encuentre la emisora que desee.

### Para sintonizar una emisora de radio automáticamente:

- Mantenga presionado **◀◀ / ◀** o **▶▶ / ▶**. Su reproductor sintonizará automáticamente la primera emisora clara.

## Programación de emisoras de radio

Puede programar hasta 10 emisoras de radio en la memoria para cada banda.

### Para programar una emisora:

- 1 Deslice el interruptor **FUNCTION** (Función) a la posición **RADIO**.
- 2 Seleccione la banda de radio y sintonice la emisora que desea programar.
- 3 Presione **PROG/ENTER** (Programar/Entrar).
- 4 Cuando el indicador **PROG** aparece en la pantalla, presione **ESP/MENU/PRESET** para seleccionar el lugar de almacenamiento y presione **PROG/ENTER** para guardar la emisora.
- 5 Repita los pasos 3 y 4 para programar más emisoras.

#### Nota

Si programa una emisora en un número predefinido que ya está signado a otra emisora, la emisora nueva reemplazará la vieja.

## Sintonización de una emisora programada

### Para sintonizar una emisora programada:

- 1 Deslice el interruptor **FUNCTION** (Función) a la posición **RADIO**.
- 2 Presione **MENU/ESP/PRESET** (Menú/ESP/Predefinido) para encender el radio.
- 3 Presione **MENU/ESP/PRESET** (Menú/ESP/Predefinido) una o más veces hasta que aparezca en la pantalla el número predefinido deseado.

## Localización y corrección de fallas

### Advertencia

No intente reparar su reproductor de CD. La unidad no contiene ninguna pieza interior reparable. Al abrir la caja anulara su garantía. Encomiende todas las reparaciones al personal de servicio calificado.

Problema	Causa probable	Solución probable
El reproductor de CD no enciende.	Las pilas no se han insertado correctamente.	Verifique que los símbolos + y – en las pilas coincidan con los símbolos + y – en el compartimiento de las pilas.
	Las pilas están gastadas.	Reemplace las pilas.
	El adaptador de alimentación CA no está conectado correctamente.	Asegúrese de que el adaptador de alimentación CA esté conectado correctamente.
El CD no se reproduce o deja de reproducirse	La puerta del compartimiento del CD no está cerrada.	Presione hacia abajo la puerta del compartimiento del CD para asegurarse de que esté completamente cerrada.
	Agua pudo haberse condensado en el lente.	Habra la puerta del compartimiento del CD y déjela abierta por una hora para que se seque.
	El CD está insertado incorrectamente.	Asegúrese de que el CD se ha insertado con la etiqueta hacia arriba.
	El CD está rayado o dañado.	Pruebe con otro CD.
	Los archivos MP3 o WMA se pudieron haber corrompido cuando se crearon o se descargaron o cuando se grababan en el CD.	Asegúrese de que los archivos MP3 o WMA no están corruptos. Si es necesario, grabe los archivos en otro CD.
La reproducción no comienza desde la primera pista.	El modo RESUME (Reanudar) o PROGRAM (Programar) puede estar activo.	Desactive el modo RESUME o PROGRAM.

<b>Problema</b>	<b>Causa probable</b>	<b>Solución probable</b>
No hay sonido o sonido de calidad deficiente	Puede ser que los cables no estén conectados correctamente y firmemente.	Asegúrese de que todos los cables están conectados correctamente y firmemente.
	El volumen está demasiado bajo.	Suba el volumen.
	El conector de los auriculares puede estar sucio.	Limpie el conector de los auriculares.
	Su reproductor de CD puede estar demasiado cerca de interferencia magnética, tal y como altavoces sin blindaje.	Aleje su reproductor de CD de los campos magnéticos.
	La temperatura dentro del auto puede estar muy fría o muy caliente.	Ajuste la temperatura del auto.
	El toma del encendedor de cigarrillos puede estar sucio.	Limpie el toma del encendedor de cigarrillos.
	Su reproductor de CD puede estar en el modo inverso.	Asegúrese de que su reproductor de CD no se encuentre en el modo inverso.

**Nota**

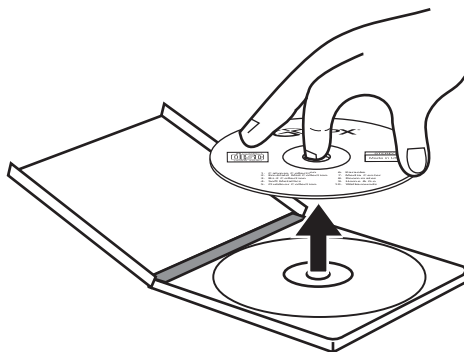
Si el reproductor de CD todavía no reproduce correctamente después de intentar estas soluciones, apague su reproductor de CD, espere cinco segundos y enciéndalo de nuevo.



## Mantenimiento

### Cómo manipular los CD

- Para sacar un CD de su estuche, sosténgalo por las orillas mientras presiona ligeramente sobre el agujero central.



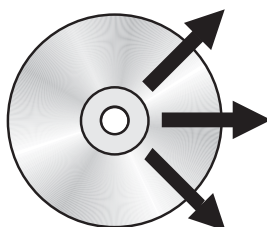
- No toque la superficie brillante del CD ni lo doble.
- Coloque el disco en el compartimiento del CD con la etiqueta hacia arriba.
- Guarde los CD en sus estuches cuando no estén en uso.
- No almacene CDs en áreas donde se puedan calentar, tal como un automóvil.
- No escriba en el lado de la etiqueta del CD con un bolígrafo ya que esto puede rayar la superficie.

## Limpieza de los CD

Puede ser que un CD sucio no funcione correctamente.

### Para limpiar un CD:

- Limpie el CD con un paño suave desde el centro hacia el borde exterior.



#### Cuidado

No utilice ningún solvente, tal como un rociador para discos, diluyente, o benceno para limpiar un CD.

## Limpieza de su reproductor

### Para limpiar su reproductor de CD, siga estas guías:

- Use un paño suave limpio y humedecido con agua templada para limpiar el exterior de su reproductor de CD.
- Nunca utilice solventes como benceno u otros limpiadores químicos fuertes ya que pueden dañar el acabado de su reproductor de CD.
- No permita que líquido gotee dentro de su reproductor de CD.

## Especificaciones

### Audio

Conversión D/A	Sobremuestreo, 8 veces, DAC de 1 bit
Respuesta en frecuencia	20-20,000 Hz
Anti-saltos	CD: 160 segundos MP3: 480 segundos WMA: 960 segundos
Gimoteo y agitación	Debajo de los límites de medición
Número de canales	2 canales (estéreo)
Nivel de salida	Salida de línea: 0.6 V rms (47 K Ohmios) Auriculares: 15 mW (32 Ohmios)

**MP3/WMA****Nota**

Asegúrese de que su quemador de CD (grabador) se adhiera a estas especificaciones. Para obtener más información, refiérase a la documentación del grabador de CD.

Velocidad de MPEG	32-384 kbps
Frecuencia de muestreo	8/48 kHz
Reproducción de MP3	Compatible con el formato ISO9660
Velocidad de MPEG soportadas	Formato MP3: Se soportan 32~384 kbps y es compatible con VBR (Velocidad de bit variable) Formato WMA: Se soportan 16~192 kbps y es compatible con VBR (Velocidad de bit variable)

**Encendido**

Requisitos generales de alimentación	2 pilas alcalinas tipo AA, LR6 / UM-3 El conector de CC de entrada de 4.5 V acepta el adaptador de alimentación de CA (centro positivo)
Consumo de energía	0.8 W (3 V CC)

**Nota**

Las especificaciones y el diseño están sujetas a cambio sin aviso previo.

## Avisos legales

### *FCC Parte 15*

**Advertencia**

Modificaciones no autorizadas por el fabricante pueden anular la autoridad del usuario de operar este dispositivo.

Este dispositivo satisface la parte 15 del reglamento FCC. La operación de este producto está sujeta a las dos condiciones siguientes: (1) Este dispositivo no puede causar interferencia dañina, y (2) este dispositivo debe aceptar cualquier interferencia recibida incluyendo interferencias que puedan causar una operación no deseada.

Este equipo ha sido sometido a prueba y se ha determinado que satisface los límites establecidos para ser clasificado como dispositivo digital de la Clase B de acuerdo con la Parte 15 del reglamento FCC. Estos límites se han establecido para proporcionar una protección razonable contra interferencias perjudiciales en una instalación residencial. Este equipo genera, usa y puede emitir energía de radiofrecuencia. Si no se instala y usa de acuerdo con las instrucciones, este aparato puede causar interferencias perjudiciales a las comunicaciones de radio. Sin embargo, no se garantiza que no ocurrirá interferencia en una instalación particular. Si el equipo causa interferencias perjudiciales en la recepción de la señal de radio o televisión, lo cual puede comprobarse encendiéndolo y apagándolo alternativamente, se recomienda al usuario corregir la interferencia mediante uno de los siguientes procedimientos:

- Cambie la orientación o la ubicación de la antena receptora.
- Aumente la distancia entre el equipo y el receptor.
- Conecte el equipo a un tomacorriente de un circuito distinto de aquel al que está conectado el receptor.
- Solicite consejo al distribuidor o a un técnico calificado para obtener ayuda.

### *Declaración del ICES-003 de Canadá*

Este aparato digital de Clase B cumple con el ICES-003 canadiense.

### *Derechos de reproducción*

© 2007 Insignia. Insignia y el logotipo de Insignia son marcas de comercio de Best Buy Enterprise Services, Inc. Otras marcas y nombres de productos son marcas comerciales o marcas registradas de sus dueños respectivos. Las especificaciones y características están sujetas a cambio sin aviso previo u obligación.

Para reparación y soporte llame al (877) 467-4289.

## Garantía limitada de 90 días

Insignia Products ("Insignia") le garantiza a usted, el comprador original de este nuevo NS-P4113 ("Producto"), que éste se encontrará libre de defectos de material o de mano de obra en su fabricación original por un período de 90 (noventa) días a partir de la fecha de compra del Producto ("Período de Garantía"). Este producto debe ser comprado en un distribuidor autorizado de productos de la marca Insignia y empaçado con esta declaración de garantía. Esta garantía no cubre Productos reacondicionados. Si notifica a Insignia durante el Período de Garantía sobre un defecto cubierto por esta garantía que requiere reparación, los términos de esta garantía se aplican.

### ***¿Cuánto dura la garantía?***

El Período de Garantía dura por 90 (noventa) días a partir de la fecha en que compró el Producto. La fecha de compra se encuentra impresa en el recibo que recibió con el Producto.

### ***¿Qué es lo que cubre esta garantía?***

Durante el Período de Garantía, si un centro de reparación autorizado de Insignia concluye que la fabricación original del material o la mano de obra del Producto se encuentran defectuosos, Insignia (cómo su opción exclusiva): (1) reparará el Producto con repuestos nuevos o reacondicionados; o (2) reemplazará el Producto sin cargo con uno nuevo o con uno reacondicionado con repuestos equivalentes. Los Productos y repuestos reemplazados bajo esta garantía se volverán propiedad de Insignia y no se le regresarán a usted. Si se requiere la reparación de Productos o partes después de que se vence el Período de Garantía, usted deberá pagar todos los costos de mano de obra y de repuestos. Esta garantía estará vigente con tal que usted sea el dueño de su Producto Insignia durante el período de garantía. El alcance de la garantía se termina si usted vende o transfiere el Producto.

### ***¿Cómo se obtiene la reparación de garantía?***

Si ha comprado el Producto en una tienda de ventas, lleve su recibo original y el Producto a la tienda en donde lo compró. Asegúrese de que vuelva a colocar el Producto en su empaque original o en un empaque que provea la misma protección que el original. Si compró el Producto en un sitio Web, envíe por correo su recibo original y el Producto a la dirección postal listada en el sitio Web. Asegúrese de colocar el Producto en su empaque original o en un empaque que provea la misma protección que el original.

Para obtener el servicio de garantía a domicilio para un televisor con pantalla de 25" o más, llame al 1-888-BESTBUY. El soporte técnico diagnosticará y corregirá el problema por teléfono o enviará un técnico certificado por Insignia a su casa.

### ***¿En dónde es válida la garantía?***

Esta garantía sólo es válida al comprador original del Producto en los Estados Unidos y en Canadá.

### ***¿Qué es lo que no cubre la garantía?***

Esta garantía no cubre:

- Formación del cliente
- Instalación
- Ajuste de configuración
- Daños cosméticos
- Daños debido a actos de la naturaleza, tal cómo rayos
- Accidentes
- Mal uso

- Abuso
- Negligencia
- Uso comercial
- Modificación de alguna parte del Producto, incluyendo la antena
- Un panel de pantalla de plasma dañado por la persistencia de imágenes estáticas (sin movimiento), mostradas por periodos de tiempo extendido (efecto "burn-in").

Esta garantía tampoco cubre:

- Daño debido al uso o mantenimiento incorrecto
- La conexión a una fuente de voltaje incorrecta
- El intento de reparación por alguien que no sea una compañía autorizada por Insignia para reparar el Producto
- Productos vendidos tal cual (en el estado en que se encuentran) o con todas sus fallas
- Productos consumibles, tal como fusibles o baterías
- Productos en los cuales el número de serie asignado en la fábrica ha sido alterado o removido.

LA REPARACIÓN O REEMPLAZO SEGÚN LO PROVISTO BAJO ESTA GARANTÍA ES SU ÚNICO RECURSO. INSIGNIA NO SERÁ RESPONSABLE POR DAÑOS INCIDENTALES O CONSECUENTES DEBIDO AL INCUMPLIMIENTO DE CUALQUIER GARANTÍA EXPRESA O IMPLÍCITA RELACIONADA CON ESTE PRODUCTO, INCLUYENDO, PERO SIN LIMITARSE A ELLO, PÉRDIDA DE DATOS, IMPOSIBILIDAD DE USO DE SU PRODUCTO, PÉRDIDA DE NEGOCIO O LUCRO CESANTE. INSIGNIA NO CONCEDE NINGUNA OTRA GARANTÍA EXPRESA CON RESPECTO AL PRODUCTO; TODAS LAS GARANTÍAS EXPRESAS E IMPLÍCITAS DE ESTE PRODUCTO, INCLUYENDO PERO SIN LIMITARSE A, CUALQUIER GARANTÍA IMPLÍCITA DE O CONDICIONES DE COMERCIALIZACIÓN O IDONEIDAD PARA UN USO PARTICULAR, ESTÁN LIMITADAS EN DURACIÓN AL PERÍODO DE GARANTÍA DECLARADO ANTERIORMENTE Y NINGUNA GARANTÍA YA SEA EXPRESA O IMPLÍCITA SE APLICARÁ DESPUÉS DEL PERÍODO DE GARANTÍA. ALGUNOS ESTADOS, PROVINCIAS Y JURISDICCIONES NO PERMITEN RESTRICCIONES EN CUANTO A LA DURACIÓN DE UNA GARANTÍA IMPLÍCITA, ASÍ QUE LA RESTRICCIÓN ANTERIOR PUEDE NO APLICARSE EN SU CASO. ESTA GARANTÍA LE DA DERECHOS LEGALES ESPECÍFICOS, Y USTED PUEDE POSEER OTROS DERECHOS QUE VARIAN DE ESTADO A ESTADO, O PROVINCIA A PROVINCIA.

Comuníquese con Insignia:

Para servicio al cliente favor llamar al 1-877-467-4289

[www.insignia-products.com](http://www.insignia-products.com)

INSIGNIA™ es una marca comercial de Best Buy Enterprise Services, Inc.

Distribuido por Best Buy Purchasing, LLC.

Insignia, 7601 Penn Avenue South, Richfield, Minnesota, U.S.A.





**Distributed by Insignia™ Products**  
**Distribué par Insignia™ Products**  
**Distribuido por Insignia™ Products**

7601 Penn Avenue South  
Richfield, MN USA 55423-3645  
[www.Insignia-Products.com](http://www.Insignia-Products.com)

© 2007 Insignia™ Products  
All rights reserved. All other products and brand names are trademarks of their respective owners.

© 2007 produits Insignia™  
Tous droits réservés. Tous les autres produits ou noms de marques sont des marques de commerce qui appartiennent à leurs propriétaires respectifs.

© 2007 productos Insignia™  
Todos los derechos reservados. Todos los demás productos y marcas son marcas comerciales de sus respectivos dueños.



## Free Manuals Download Website

<http://myh66.com>

<http://usermanuals.us>

<http://www.somanuals.com>

<http://www.4manuals.cc>

<http://www.manual-lib.com>

<http://www.404manual.com>

<http://www.luxmanual.com>

<http://aubethermostatmanual.com>

Golf course search by state

<http://golfingnear.com>

Email search by domain

<http://emailbydomain.com>

Auto manuals search

<http://auto.somanuals.com>

TV manuals search

<http://tv.somanuals.com>