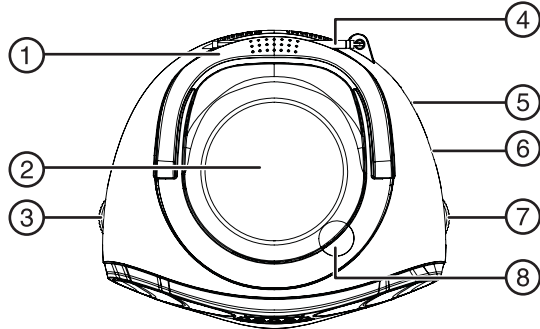


Read these instructions carefully before using this product, and retain them in a safe place for reference.

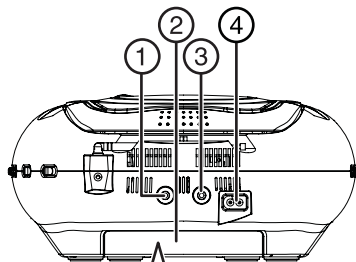
Features

Top



1	Handle	5	Function (RADIO/CD/AUX)
2	CD door	6	Power (ON/OFF)
3	Volume control	7	Tuning control
4	FM antenna	8	CD door open (push tab)

Back

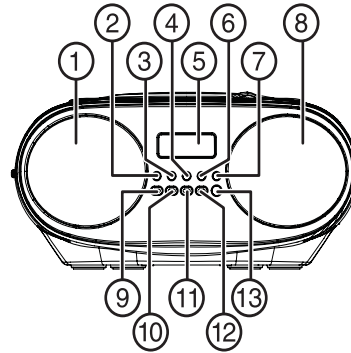


1.5V x 8 UM 2 or
"C" size or LR14



1	AUX IN jack
2	Battery compartment
3	Headphone jack
4	AC input

Front



1	Speaker	8	Speaker
2	Light button	9	CD skip down
3	AM/FM button	10	CD skip up
4	Random button	11	CD search down button
5	CD track display	12	CD search up button
6	Repeat button	13	CD play/pause button
7	CD stop		

Setting up your CD player

Connecting AC power

- 1 Connect the provided AC power cord to the AC input socket on the CD player.
- 2 Plug the cord into a household AC power socket.

Installing batteries

- 1 Insert eight C alkaline batteries (not included) into the battery compartment as indicated by the diagram within the compartment.

- 2 Securely close the battery compartment cover.

Notes: Battery power is used only when AC power is disconnected.

Replace all batteries at the same time with the same battery type. Do not mix battery types.

When CD player is stored unused for a long time, remove the batteries to prevent damage.

Download from www.Somanuals.com. All Manuals Search And Download.

Using your CD player

Warning: Use of any controls, adjustments, or procedures other than those specified herein may result in hazardous radiation exposure.

Using the radio

- 1 Slide the **FUNCTION** selector to **RADIO**, then press **AM/FM** to select **AM** or **FM** mode.
- 2 Turn the **TUNING** control until you locate the station you want. If you tune to an FM station broadcasting in stereo, the stereo indicator turns on. "ST" will appear in the upper-right of the LCD screen when stereo is on.
 - For optimum FM reception, make sure that the FM (telescopic) antenna is fully extended and vertical.
 - For optimum AM reception, rotate the CD player to orient its built-in antenna until you get the strongest signal.

Using the CD player

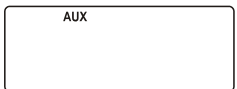
The CD player can play standard audio CDs and audio CDs created on a computer's CD-R/CD-RW drive.

- 1 Slide the **FUNCTION** selector to **CD**, then lift the CD door and insert a CD with the label facing up. Make sure that the CD is correctly mounted on the spindle and locked in place.
- 2 Close the CD door. After a few seconds, the display shows the total number of tracks on the CD. If the disc is not correctly inserted or defective, the display shows $n \alpha$.

To play the CD	Press PLAY/PAUSE . The current track number is shown on the display.
To pause playback	Press PLAY/PAUSE . The play indicator flashes on the display. Press PLAY/PAUSE again to resume playback.
To stop playback	Press STOP . The display shows the total number of tracks on the CD.
To skip tracks	Press ◀◀ or ▶▶
To repeat the current track	Press REPEAT . To repeat the entire disc (continuous play), press REPEAT twice. To return to normal play, press REPEAT until "REPEAT" disappears from the display.
To play tracks in random order	Press STOP , press RANDOM , then press PLAY/PAUSE . To stop random playback, press RANDOM again.

Listening to an external audio source

- 1 Connect the external audio device to the AUX IN jack on the back panel of your CD player.
- 2 Slide the FUNCTION selector on your CD player to AUX.
- 3 Start playing music from your external audio device. Audio plays through your CD player's speakers.



Maintaining your CDs

- Handle CDs only by their edges. Never allow your fingers to contact the reflective, unprinted side of the CD.
- Do not attach things such as adhesive tape and stickers to your audio CDs.
- Periodically clean your CDs with a soft, lint-free, dry cloth. Never use detergents or adhesive cleaners to clean the disc. If necessary, use a CD cleaning kit.
- If the CD skips or gets stuck on a section of the disc, it is probably dirty or damaged (scratched).
- When cleaning CDs, wipe in straight lines from the center of the CD to the outside edge. Never wipe in circular motions.

Specifications

Power	AC: AC120V ~ 60Hz Batteries: DC 12V (8 C batteries)
Radio frequency coverage	FM: 87.5~108 MHz AM (MW): 520~1730 KHz
GENERAL CD PLAYER	Speaker: 8 ohms Pick Up: 3-beam, semiconductor laser, 1-bit DA converter Encoding: 8-time oversampling

Safety information

Warning: To reduce the risk of fire or electric shock, do not expose this appliance to rain or moisture. This apparatus shall not be exposed to dripping or splashing, and no objects filled with liquids, such as vases, shall be placed on the apparatus.


Specifications

	<p>CAUTION RISK OF ELECTRIC SHOCK DO NOT OPEN</p>	
<p>The lightning flash with arrowhead symbol, within an equilateral triangle, is intended to alert the user to the presence of uninsulated "dangerous voltage" within the product's enclosure that may be of sufficient magnitude to constitute a risk of electric shock to people.</p>	<p>WARNING: TO REDUCE THE RISK OF ELECTRIC SHOCK, DO NOT REMOVE COVER (OR BACK). NO USER-SERVICEABLE PARTS INSIDE. REFER SERVICING TO QUALIFIED SERVICE PERSONNEL.</p>	<p>The exclamation point within an equilateral triangle is intended to alert the user to the presence of important operating and maintenance (servicing) instructions in the literature accompanying the appliance.</p>

IMPORTANT SAFETY INSTRUCTIONS

- 1 Read these instructions.
- 2 Keep these instructions.
- 3 Heed all warnings.
- 4 Follow all instructions.
- 5 Do not use this apparatus near water.
- 6 Clean only with dry cloth.
- 7 Do not block any ventilation openings. Install in accordance with the manufacturer's instructions.
- 8 Do not install near any heat sources such as radiators, heat registers, stoves, or other apparatus (including amplifiers) that produce heat.
- 9 Do not defeat the safety purpose of the polarized or grounding-type plug. A polarized plug has two blades with one wider than the other. A grounding type plug has two blades and a third grounding prong. The wide blade or the third prong are provided for your safety. If the provided plug does not fit into your outlet, consult an electrician for replacement of the obsolete outlet.
- 10 Protect the power cord from being walked on or pinched particularly at plugs, convenience receptacles, and the point where they exit from the apparatus.
- 11 Only use attachments/accessories specified by the manufacturer.
- 12 Use only with the cart, stand, tripod, bracket, or table specified by the manufacturer, or sold with the apparatus. When a cart is used, use caution when moving the cart/apparatus combination to avoid injury from tip-over.
- 13 Unplug this apparatus during lightning storms or when unused for long periods of time.
- 14 Refer all servicing to qualified service personnel. Servicing is required when the apparatus has been damaged in any way, such as power-supply cord or plug is damaged, liquid has been spilled or objects have fallen into the apparatus, the apparatus has been exposed to rain or moisture, does not operate normally, or has been dropped.
- 15 Grounding or Polarization - This product may be equipped with a polarized alternating current line plug (a plug having one blade wider than the other). This plug will fit into the power outlet only one way. This is a safety feature. If you are unable to insert the plug fully into the outlet, try reversing the plug. If the plug should still fail to fit, contact your electrician to replace your obsolete outlet. Do not defeat the safety purpose of the polarized plug.
Alternate Warnings - This product is equipped with a three-wire grounding-type plug, a plug having a third (grounding) pin. This plug will only fit into a grounding-type power outlet. This is a safety feature. If you are unable to insert the plug into the outlet, contact your electrician to replace your obsolete outlet. Do not defeat the safety purpose of the grounding-type plug.
- 16 Ventilation - Slots and openings in the cabinet are provided for ventilation and to ensure reliable operation of the product and to protect it from overheating, and these openings must not be blocked or covered. The openings should never be blocked by placing the product on a bed, sofa, rug, or other similar surface. This product should not be placed in a built-in installation such as a bookcase or rack unless proper ventilation is provided or the manufacturer's instructions have been adhered to.
- 17 The power plug is used as the disconnect device and should remain readily accessible during the device's intended use. To completely disconnect the device from power, you should disconnect the power plug from the AC power outlet.
- 18 The battery should not be exposed to excessive heat, such as direct sunlight, fire, or the like.
- 19 Cautions and other markings are located at the bottom of the apparatus.
- 20 The marking information is located at the bottom of apparatus.



Class II equipment symbol 
This symbol indicates that the unit has a double insulation system.

Legal notices

FCC Part 15

This device complies with Part 15 of the FCC Rules. Operation of this product is subject to the following two conditions: (1) this device may not cause harmful interference, and (2) this device must accept any interference received, including interference that may cause undesired operation.

This equipment has been tested and found to comply within the limits for a class B digital device, pursuant to Part 15 of the FCC Rules. These limits are designed to provide reasonable protection against harmful interference in a residential installation. This equipment generates, uses, and can radiate radio frequency energy and, if not installed and used in accordance with the instructions, may cause harmful interference to radio communications. However, there is no guarantee that interference will not occur in a particular installation. If this equipment does cause harmful interference to radio or television reception, which can be determined by turning the equipment off and on, the user is encouraged to try to correct the interference by one or more of the following measures:

- Reorient or relocate the receiving antenna.
- Increase the separation between the equipment and receiver.
- Connect the equipment into an outlet on a circuit different from that to which the receiver is connected.
- Consult the dealer or an experienced technician for help.

FCC warning

Changes or modifications not expressly approved by the party responsible for compliance with the FCC Rules could void the user's authority to operate this equipment.

Canada ICES-003 statement

This Class B digital apparatus complies with Canadian ICES-003.

90-day limited warranty

Visit www.insigniaproducts.com for details.
© 2010 BBY Solutions, Inc., All Rights Reserved.

Free Manuals Download Website

<http://myh66.com>

<http://usermanuals.us>

<http://www.somanuals.com>

<http://www.4manuals.cc>

<http://www.manual-lib.com>

<http://www.404manual.com>

<http://www.luxmanual.com>

<http://aubethermostatmanual.com>

Golf course search by state

<http://golfingnear.com>

Email search by domain

<http://emailbydomain.com>

Auto manuals search

<http://auto.somanuals.com>

TV manuals search

<http://tv.somanuals.com>