

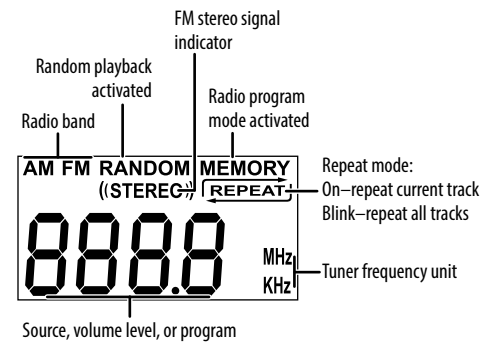
INSIGNIA™

Quick Setup Guide | NS-BCDCAS1 CD Boombox with Cassette Player and AM/FM Radio

PACKAGE CONTENTS

- Boombox
- AC power adapter
- User Guide
- Quick Setup Guide

Display



In CD mode: the display shows the current track time elapsed (during playback), the total number of tracks (in stop mode).

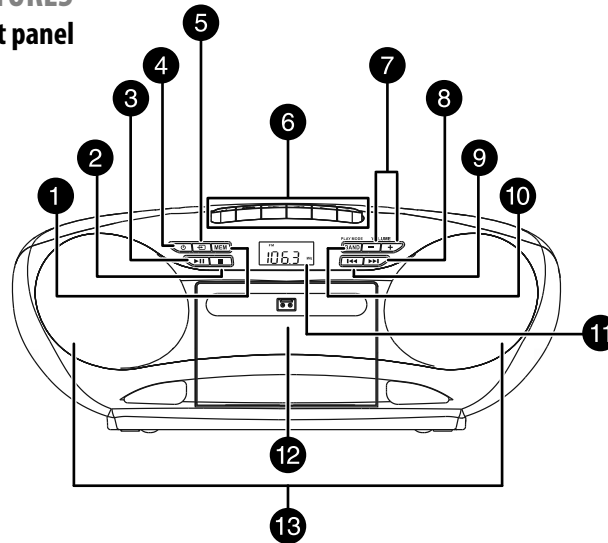
In Radio mode: the display shows the preset selected and the frequency.

In Tape mode: the display shows "CAS."

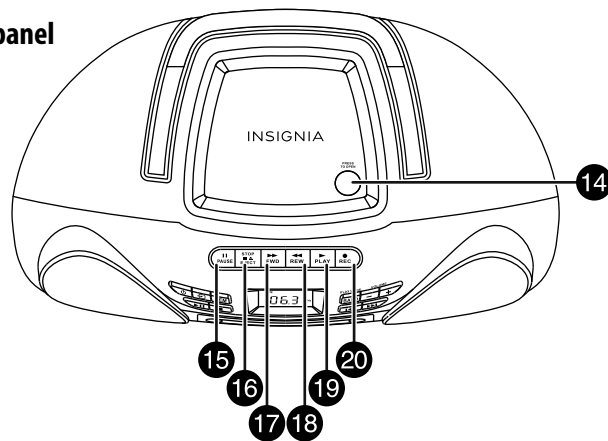
In AUX mode: the display shows "Aud."

FEATURES

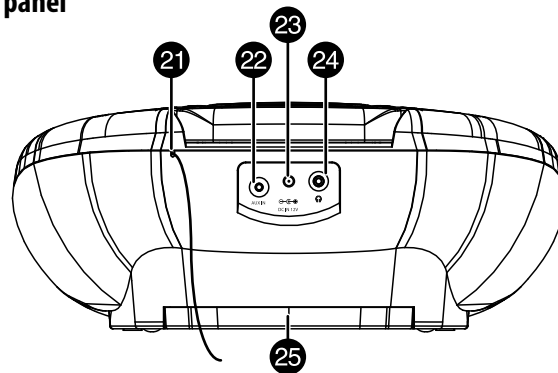
Front panel



Top panel



Back panel



#	ITEM	DESCRIPTION
1	MEM button	In radio mode, press to create/select preset stations.
2	■ (stop) button	Press to stop playback.
3	▶ (play/pause) button	Press to begin CD playback. Press again to pause CD playback.
4	⏻ Standby/ON button	Press to turn on your boombox. Press again to return your boombox to standby mode.
5	⏮ (source) button	Press to select the sound source (RADIO, CD, TAPE, or AUX).
6	Cassette tape control buttons	These buttons control cassette tape playback. See Top panel below for additional information.
7	Volume +/- buttons	Press - to lower the volume. Press + to raise the volume.
8	▶▶ (next) button	In radio mode, press to tune to the next higher station. In CD mode, press to search/skip to the next track.
9	◀◀ (previous) button	In radio mode, press to tune to the next lower station. In CD mode, press to search/skip to the previous track.
10	BAND/PLAY MODE button	In radio mode, press to select the radio band (AM or FM). In CD mode, press to cycle through the playback modes (repeat 1, repeat all, or random).
11	Display	Shows the radio band, playback mode, program mode, source, volume level, and radio frequency. For additional information, see "Display."
12	Cassette door	Open to insert a cassette tape into the boombox for playback.
13	Left and right speakers	Produce sound so you can listen to your boombox.
14	PRESS TO OPEN	Press to open the CD door.
15	PAUSE button	Press to pause the cassette tape playback. Press again to resume playback.
16	■ STOP/▲ EJECT button	Press to stop cassette tape playback. Press again to open the cassette door.
17	▶▶ FWD button	Press to fast forward the cassette tape.
18	◀◀ REW button	Press to rewind the cassette tape.
19	▶ PLAY button	Press to begin cassette tape playback.
20	● REC button	Press to begin cassette tape recording.
21	FM antenna wire	Provides an improved FM signal. Do not connect to an outside antenna.
22	AUX IN jack	Connect an external audio device to this jack.
23	DC IN 12V jack	Connect the AC adapter (included) to this jack to operate your boombox on AC power.
24	Headphone jack	Connect headphones to this jack to listen to radio/playback on your headphones.
25	Battery compartment	Insert six (6) "D" sized alkaline batteries (not included) into this compartment to operate your boombox on battery power.

INTRODUCTION

Please read these instructions carefully before using this product and retain them in a safe place for future reference.

Before using your new product, please read these instructions to prevent any damage.



SETTING UP YOUR BOOMBOX

Connecting the AC power adapter

- 1 Make sure that your local AC power source matches the voltage shown on the plate located on the AC power adapter. If it does not, consult your dealer or service center.
- 2 Insert the small connector at the end of the AC power adapter cable into the **DC IN** jack on the back of your boombox.
- 3 Plug the AC power adapter into a wall power outlet.

INSTALLING THE BATTERIES (OPTIONAL - FOR PORTABLE USE)

- 1 Turn your boombox over, then open and remove the door to the battery compartment.
- 2 Insert six (6) "D" size batteries into the battery compartment. Make sure that you match the + and – symbols on the batteries with the + and – symbols in the battery compartment.
- 3 Reinstall and close the battery compartment door and return your boombox to the upright position.

CONNECTING HEADPHONES

- Plug your headphones (not included) into the headphone jack on the back of the unit.

Caution: Listening to high volume sound for long periods of time can damage your hearing.

USING YOUR BOOMBOX

Playing the radio

- 1 Press (Standby/ON) to turn on the boombox.
- 2 Press (source) repeatedly to select **RADIO** mode, then press **BAND** to select **AM** or **FM**.
- 3 Press (next) or (previous) to tune the radio to a higher or lower frequency. Press and hold (next) or (previous) for two seconds to automatically tune to the next or previous station.
- 4 Adjust the volume to a comfortable level by pressing either the **VOLUME +** or **VOLUME –** button.
- 5 Press (Standby/ON) to turn off the boombox.

Using presets

- 1 Press (Standby/ON) to turn on the boombox.
- 2 Press (source) repeatedly to select **RADIO** mode, then press **BAND** to select **AM** or **FM**.
- 3 Press (next) or (previous) to tune the radio to a higher or lower frequency. Press and hold (next) or (previous) for two seconds to automatically tune to the next or previous station.
- 4 To save the station as a preset, press and hold the **MEM** button. "MEMORY" blinks on the display.
- 5 Press (next) or (previous) to select the preset number you want.
- 6 Press the **MEM** button again to confirm and store the preset.
- 7 Repeat Steps 3 to 6 to store as many as 10 AM presets and 10 FM presets.
- 8 To select a preset station, press **MEM** repeatedly until you reach the station you want.

One-year limited warranty. Visit www.insigniaproducts.com for details. For customer support, call 1-877-467-4289 (U.S. and Canada) or 01-800-926-3000 (Mexico). We're here for you at www.insigniaproducts.com.

INSIGNIA is a trademark of Best Buy and its affiliated companies. Registered in some countries. Distributed by Best Buy Purchasing, LLC. 7601 Penn Ave South, Richfield, MN 55423 U.S.A. ©2014 Best Buy. All rights reserved. Made in China

Playing CDs

- 1 Press (Standby/ON) to turn on the boombox.
- 2 Press (source) repeatedly to select **CD** mode.
- 3 Press the **PRESS TO OPEN** area on the CD door to open the lid.
- 4 Insert a CD, label side up.
- 5 Press the **PRESS TO OPEN** area on the CD door to close it. Playback begins automatically and stops when finished.
- 6 Press (stop) to stop the CD before it is finished. The total number of tracks appears on the display.

Playing cassette tapes

- 1 Press (Standby/ON) to turn on the boombox.
- 2 Press (source) repeatedly to select **TAPE** mode. "CAS" appears on the display.
- 3 Press (STOP/▲ EJECT) to open the cassette door.
- 4 Insert a cassette tape into the door, then gently push the door closed.
- 5 Press (REW) or (FWD) to wind the cassette tape to the starting point you want, then press (STOP/▲ EJECT) to stop the cassette tape.
- 6 Press (PLAY) to begin playback.
- 7 Press (PAUSE) to pause playback. Press (PAUSE) again to resume playback.
- 8 Press (STOP/▲ EJECT) to stop playback.

For information on recording cassette tapes, see your *User Guide*.

Listening to an external audio device

- 1 Make sure the boombox is turned off.
- 2 Plug one end of the 3.5 mm AUX cable (not included) into the **AUX IN** jack on the back of your boombox.
- 3 Plug the other end of the cord into the **Line-out** jack on the audio device such as an iPod or other MP3 player.
- 4 Press (Standby/ON) to turn on the boombox.
- 5 Press (source) one or more times until "Aud" appears on the display.
- 6 Use the controls on the audio device to control playback.

FCC STATEMENT

This device complies with Part 15 of the FCC Rules. Operation is subject to the following two conditions: (1) this device may not cause harmful interference, and (2) this device must accept any interference received, including interference that may cause undesired operation.

FCC Caution

Changes or modifications not expressly approved by the party responsible for compliance could void the user's authority to operate this equipment.

Note: This equipment has been tested and found to comply with the limits for a Class B digital device, pursuant to Part 15 of the FCC Rules. These limits are designed to provide reasonable protection against harmful interference in a residential installation.

This equipment generates, uses and can radiate radio frequency energy and, if not installed and used in accordance with the instructions, may cause harmful interference to radio communications.

However, there is no guarantee that interference will not occur in a particular installation. If this equipment does cause harmful interference to radio or television reception, which can be determined by turning the equipment off and on, the user is encouraged to try to correct the interference by one or more of the following measures:

- Reorient or relocate the receiving antenna.
- Increase the separation between the equipment and receiver.
- Connect the equipment into an outlet on a circuit different from that to which the receiver is connected.
- Consult the dealer or an experienced radio/TV technician for help.

CAN ICES-3 (B)/NMB-3 (B)

This product complies with DHHS Rules 21 CFR Sub-chapter J. Applicable at the date of manufacture.

TROUBLESHOOTING

PROBLEM:	SOLUTION:
Your boombox will not turn on	<ul style="list-style-type: none"> • Unplug your boombox for a few moments, then plug it back in. • Make sure that the AC outlet is working by plugging another device into it.
CD player will not play	<ul style="list-style-type: none"> • Make sure that you have put a CD in the CD tray. • Make sure the CD is inserted label side up. • Try a different CD. • Make sure that the CD player is not paused. • Make sure that the CD mode is selected. • Make sure you are using a compatible CD. Your boombox can play standard and 3" audio CDs, CD-R, and CD-RW.
A CD skips while playing	<ul style="list-style-type: none"> • Wipe the CD with a cloth to clean it. • Try a different CD. • Make sure that the CD is not warped, scratched, or damaged. • Make sure that your boombox is not being affected by vibration or shock. Move the boombox if necessary. • Make sure you are using a compatible CD. Your boombox can play standard and 3" audio CDs, CD-R, and CD-RW.
Noise or sound distorted on AM or FM radio broadcasts	<ul style="list-style-type: none"> • Extend the FM antenna. • Rotate your boombox until the best reception is obtained. • Try turning off electrical appliances near your boombox, such as hair dryers, vacuum cleaners, or fluorescent lights.
No sound	<ul style="list-style-type: none"> • Increase the volume. • Plug in the AC power adapter and press (Standby/ON) to turn on your boombox. • Make sure that you have installed fresh batteries and that they are installed correctly. • Make sure that you have selected the correct source. • If you are in AUX mode, make sure the volume has not been muted on your playback device.
Low volume	<ul style="list-style-type: none"> • If you are using AUX mode, make sure the volume is turned up on both your audio source and your boombox.
A cassette tape will not play/record	<ul style="list-style-type: none"> • Open the cassette door and make sure the tape has not been tangled in the tape drive mechanism. • Rewind your tape or turn it over to the other side.



Free Manuals Download Website

<http://myh66.com>

<http://usermanuals.us>

<http://www.somanuals.com>

<http://www.4manuals.cc>

<http://www.manual-lib.com>

<http://www.404manual.com>

<http://www.luxmanual.com>

<http://aubethermostatmanual.com>

Golf course search by state

<http://golfingnear.com>

Email search by domain

<http://emailbydomain.com>

Auto manuals search

<http://auto.somanuals.com>

TV manuals search

<http://tv.somanuals.com>