

User Guide | Guide de l'utilisateur | Guía del Usuario



CD Boombox with Radio
Minichaîne avec lecteur de CD et radio
Boombox de CD con Radio

NS-B3111

Download from [Www.Somanuals.com](http://www.Somanuals.com). All Manuals Search And Download.

Insignia NS-B3111

CD Boombox with AM/FM Radio

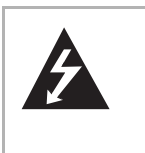
Contents

Welcome	3
Safety information	3
Features	6
Setting up your boombox	8
Using your boombox	9
Troubleshooting	13
Maintaining	14
Legal notices	15
90-Day Limited Warranty	17
Français	19
Español	37

Welcome

Congratulations on your purchase of a high-quality Insignia product. Your NS-B3111 represents the state of the art in boombox design and is designed for reliable and trouble-free performance.

Safety information



This symbol indicates that dangerous voltage constituting a risk of electric shock is present within your boombox. This label is located on the back or bottom of your boombox.



This symbol indicates that there are important operating and maintenance instructions in the literature accompanying your boombox.



Your boombox utilizes a Class 1 laser to read Compact Discs. Your boombox is equipped with safety switches to avoid exposure when the CD door is open and the safety interlocks are defeated. Invisible laser radiation is present when the CD door is open and the system's interlock has failed or been defeated. You should avoid direct exposure to the laser beam at all times. Do not attempt to defeat or bypass the safety switches.

Warning

To reduce the risk of fire or electric shock, do not expose your boombox to rain or moisture.

Warning

Any use of the controls or an adjustment to the procedures other than those specified herein may result in hazardous radiation.

Warning

To reduce the risk of electric shock, do not remove the cover or back. There are no user-serviceable parts inside. Refer any servicing to qualified service personnel.

Read instructions

Read all the safety and operating instructions before you use your boombox.

Retain instructions

Retain safety and operating instructions for future reference.

Follow warnings and instructions

Follow all warnings on your boombox and in the operating instructions. Follow all operating and use instructions.

Grounding or polarization

Do not defeat the safety purpose of the polarized or grounding-type plug. A polarized plug has two blades with one wider than the other. A grounding type plug has two blades and a grounding prong. The wide blade or grounding prong are provided for your safety. If the plug does not fit, contact an electrician to replace the obsolete outlet.

Placement

When placing your boombox on a lacquered or natural finish, protect your furniture with a cloth or other protective material.

Avoid exposure to direct sunlight, temperature extremes, and moisture.

Ventilation

Slots and openings in the cabinet and the back or bottom are provided for ventilation, reliable operation, and protection from overheating. These openings must not be blocked or covered. Do not block the openings by placing your boombox on a bed, sofa, rug, or other similar surface.

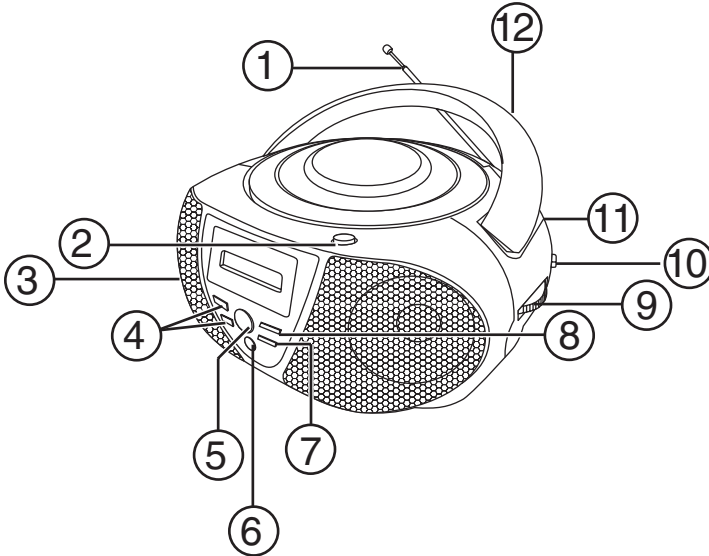
Water and moisture

Do not use your boombox near water. For example, do not use it near a bath tub, wash bowl, kitchen sink, or laundry tub, in a wet basement, or near a swimming pool.

Do not let water splash or drip onto your boombox. Do not place objects containing liquids, such as a vase, on top of your boombox.

Features

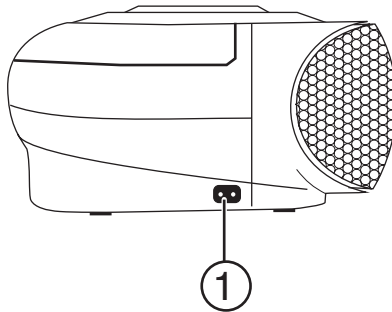
Front



No.	Feature	Description
1	FM antenna	Extend the antenna, then rotate it to get the best FM radio reception.
2	Open button	Press to open the CD door.
3	AC IN jack	Plug the power cord into this jack.
4	Skip/Search Up ►►► button Skip/Search Dn ◀◀◀ button	Press to skip to the next or previous CD track or search for a track on a CD.
5	Play/Pause ► button	Press to play or pause CD playback.
6	Stop ■ button	Press to stop CD playback.
7	REPEAT button	Press to repeat a single track or an entire CD. For more information, see "Repeating a single track or an entire CD" on page 11.
8	PROGRAM button	Press to program a playback list. For more information, see "Programming a playback list" on page 12.
9	TUNING control	Rotate to select a radio station.

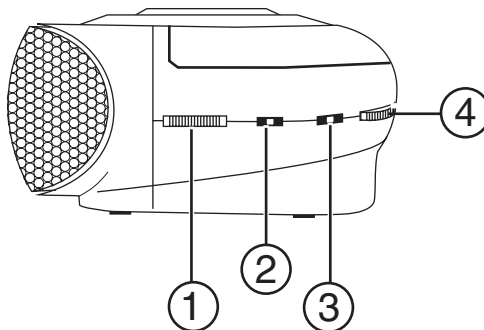
No.	Feature	Description
10	Band switch	Slide to select AM or FM radio.
11	Function switch	Slide to select RADIO, CD, or OFF.
12	VOLUME control	Rotate to adjust the volume.

Left



No.	Feature	Description
1	AC IN jack	Plug the power cord into this jack.

Right



No.	Feature	Description
1	TUNING control	Rotate to select a radio station.
2	Band switch	Slide to select AM or FM radio.
3	Function switch	Slide to select RADIO, CD, or OFF.
4	VOLUME control	Rotate to adjust the volume.

Setting up your boombox

Connecting the power cord

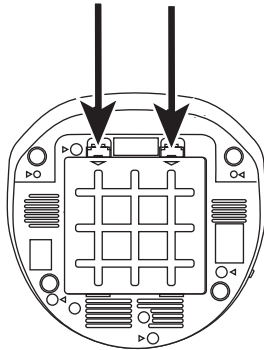
To connect the power cord:

- 1 Plug the power cord into the AC IN jack on the left side of your boombox.
- 2 Plug the other end of the power cord into a 120V AC/60 HZ power outlet.

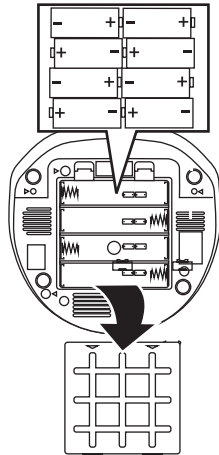
Installing batteries

To install the batteries:

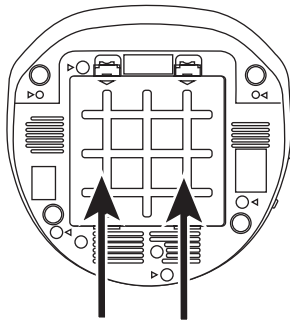
- 1 Make sure that power cord is unplugged.
- 2 Remove the battery compartment cover.



- 3 Insert eight type C batteries (not included) into the battery compartment. Make sure that you align the + and – symbols on the batteries with the + and – symbols inside the battery compartment.



- 4 Replace the battery compartment cover.



Using your boombox

Turning your boombox on and off

To turn your boombox on and off:

- 1 Slide the Function switch to **RADIO** to listen to radio or to CD to play to a CD.
- 2 Slide the Function switch to **OFF** to turn off your boombox.

Listening to the radio

To listen to the radio:

- 1 Make sure the Function switch is in the RADIO position.
- 2 Slide the Band switch to AM or FM. The LCD displays either KHz (AM) or MHz (FM).
- 3 Rotate the **TUNING** control to select a radio station. The LCD displays the station frequency.
- 4 If necessary, rotate the **VOLUME** control to adjust the volume.

Improving reception

To improve radio reception:

- AM reception—Rotate your boombox until the signal is clear.
- FM reception—Extend the FM antenna, then rotate it until the signal is clear.

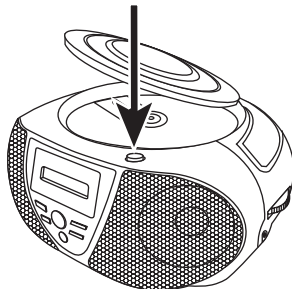
Listening to a CD

Note

In addition to audio CDs, your boombox can play CD-Rs. A CD-R must be finalized before you can play it.

To listen to a CD:

- 1 Make sure that the Function switch is in the CD position.
- 2 Press the **OPEN** button to open the CD door.



- 3 Insert a CD, label side up, into the CD compartment.
- 4 Gently press down on the CD door to close the CD compartment.
- 5 Press the Play/Pause ►|| button to start playback.
- 6 If necessary, rotate the **VOLUME** control to adjust the volume.
- 7 To stop playback, press the Stop ■ button.

Controlling CD playback

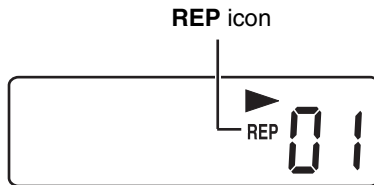
To control CD playback:

- To pause playback, press the Play/Pause ►|| button. To resume playback, press the button again.
- To skip to the next track, press the Skip/Search Up ►►| button. To skip to the previous track, press the Skip/Search Dn |◄◄ button.
- To search forward through the current song, press and hold the Skip/Search Up ►►| button. To search backward through the current song, press and hold the Skip/Search Dn |◄◄ button.

Repeating a single track or an entire CD

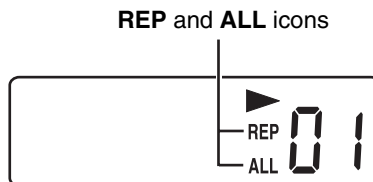
To repeat a single track:

- While the track is playing, press the **REPEAT** button once. The **REP** icon lights up, and the track plays continuously.



To repeat an entire CD:

- While the CD is playing, press the **REPEAT** button twice. The **REP** and **ALL** icons light up, and the CD plays continuously.



To cancel the repeat function:

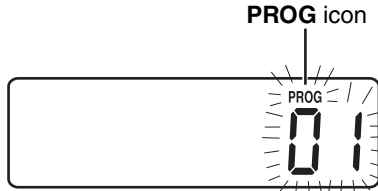
- If you are repeating a track, press the **REPEAT** button twice.
- If you are repeating an entire CD, press the **REPEAT** button once.

Programming a playback list

You can program a playback list with as many as 20 tracks or songs.

To program a playback list:

- 1 Make sure that your boombox is in stop mode.
- 2 Press the **PROGRAM** button. The **PROG** icon and track number flash.



- 3 Press the Skip/Search Up **▶▶|** or Skip/Search Dn **|◀◀** button to select a track or song.
- 4 Press the **PROGRAM** button to store your selection.
- 5 Repeat step 2 through step 4 to program additional tracks or songs.
- 6 Press the Play/Pause **▶||** button to play your playback list.

To review a playlist:

- 1 Press the Stop **■** button.
- 2 Press the **PROGRAM** button, then Skip/Search Up **▶▶|**, to review all the tracks or songs in your playlist.
- 3 Press the Play/Pause **▶||** to resume playback.

To edit your playlist:

- 1 Press the Stop **■** button.
- 2 Press the **PROGRAM** button, then Skip/Search Up **▶▶|**, to review all the tracks or songs in your playlist.
- 3 Press the Skip/Search Up **▶▶|** or Skip/Search Dn **|◀◀** button to select a track or song.
- 4 Press the **PROGRAM** button to store your selection.
- 5 Repeat step 2 through step 4 to program additional tracks or songs.

To cancel a play list:

- Slide the Function switch to **RADIO** or **OFF**.
- Or

- Press the Stop ■ button twice.
- Or
- Open the CD door.

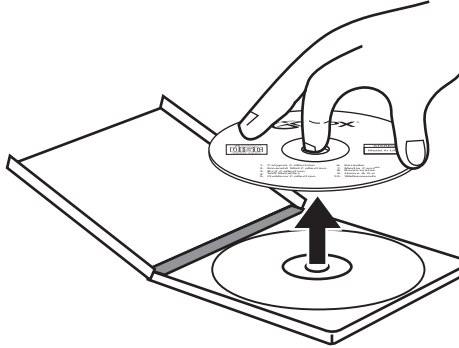
Troubleshooting

Problem	Possible cause	Possible solution
No sound.	Your boombox does not have power.	Make sure that the power cord is plugged into a power outlet or replace the batteries.
	Playback has not been started.	Press the Play/Pause button.
	The Function switch is not in the correct position.	Make sure the Function switch is in the correct position.
	The VOLUME control is set to minimum.	Increase the volume.
A CD is inserted, but tracks are not displayed.	The CD is inserted upside down.	Make sure that the CD is inserted with the label side up.
	The CD is dirty.	Clean the CD. For more information, see "Cleaning CDs" on page 14.
	The CD is scratched or warped.	Use a different CD.
	Moisture has formed inside the CD deck.	Remove the CD and leave the CD door open for about an hour to dry.
Certain sections of a CD do not played normally.	The CD is dirty.	Clean the CD. For more information, see "Cleaning CDs" on page 14.
	The CD is scratched.	Skip over the scratched sections, or replace the CD.

Maintaining

Handling CDs

- To remove a CD from its case, hold it at the edges while you press down gently on the center hole.



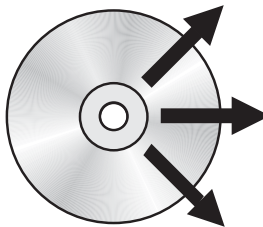
- Do not touch the shiny surface of the CD or bend the CD.
- Place the CD into the tray with the label facing up.
- Store CDs in their cases when you are not using them.
- Do not store CDs in areas where they can get hot, such as an automobile.

Cleaning CDs

A dirty CD may not play correctly.

To clean a CD:

- With a soft cloth, wipe the CD in a straight line from the center to the edge.

**Caution**

Do not use any solvent, such as record spray, thinner, or benzene, to clean a CD.

Cleaning your boombox

To clean your boombox, follow these guidelines:

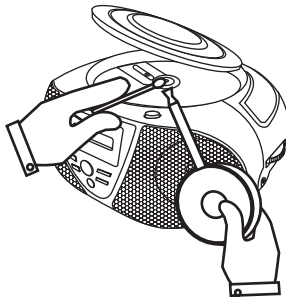
- Use a soft, clean cloth moistened with plain, luke-warm water to clean the exterior of your boombox.
- Never use solvents such as benzene or other strong chemical cleaners because these could damage your boombox's finish.
- Do not let liquid drip into the inside of your boombox.

Cleaning the lens

If a CD skips during playback or does not play at all, the lens may be dirty.

To clean the lens:

- 1 Open the CD door.
- 2 Use a camera lens brush/blower to blow dirt off of the lens, then brush the lens to remove dirt and dust.



- 3 Blow on the lens again.
- 4 If the lens is still dirty, use a cotton swab to wipe the lens. Start in the middle of the lens and work to the outside edge.

Legal notices

FCC Part 15

This device complies with Part 15 of the FCC Rules. Operation of this product is subject to the following two conditions: (1) this device may not cause harmful interference, and (2) this device must accept any interference received, including interference that may cause undesired operation.

This equipment has been tested and found to comply within the limits for a class B digital device, pursuant to Part 15 of the FCC Rules. These limits are designed to provide reasonable protection against harmful interference in a residential installation. This equipment generates, uses, and can radiate radio frequency energy and, if not installed and used in accordance with the instructions, may cause harmful interference to radio communications. However, there is no guarantee that interference will not occur in a particular installation. If this equipment does cause harmful interference to radio or television reception, which can be determined by turning the equipment off and on, the user is encouraged to try to correct the interference by one or more of the following measures:

- Reorient or relocate the receiving antenna.
- Increase the separation between the equipment and receiver.
- Connect the equipment into an outlet on a circuit different from that to which the receiver is connected.
- Consult the dealer or an experienced technician for help.

FCC warning

Changes or modifications not expressly approved by the party responsible for compliance with the FCC Rules could void the user's authority to operate this equipment.

Canada ICES-003 statement

This Class B digital apparatus complies with Canadian ICES-003.

Copyright

© 2008 Insignia. Insignia and the Insignia logo are trademarks of Best Buy Enterprise Services, Inc. Other brands and product names are trademarks or registered trademarks of their respective holders. Specifications and features are subject to change without notice or obligation.

For service and support call (877) 467-4289.

90-Day Limited Warranty

Insignia Products (“Insignia”) warrants to you, the original purchaser of this new **NS-B3111** (“Product”), that the Product shall be free of defects in the original manufacture of the material or workmanship for a period of 90 days from the date of your purchase of the Product (“Warranty Period”). This Product must be purchased from an authorized dealer of Insignia brand products and packaged with this warranty statement. This warranty does not cover refurbished Product. If you notify Insignia during the Warranty Period of a defect covered by this warranty that requires service, terms of this warranty apply.

How long does the coverage last?

The Warranty Period lasts for 90 days from the date you purchased the Product. The purchase date is printed on the receipt you received with the Product.

What does this warranty cover?

During the Warranty Period, if the original manufacture of the material or workmanship of the Product is determined to be defective by an authorized Insignia repair center or store personnel, Insignia will (at its sole option): (1) repair the Product with new or rebuilt parts; or (2) replace the Product at no charge with new or rebuilt comparable products or parts. Products and parts replaced under this warranty become the property of Insignia and are not returned to you. If service of Products or parts are required after the Warranty Period expires, you must pay all labor and parts charges. This warranty lasts as long as you own your Insignia Product during the Warranty Period. Warranty coverage terminates if you sell or otherwise transfer the Product.

How to obtain warranty service?

If you purchased the Product at a retail store location, take your original receipt and the Product to the store you purchased it from. Make sure that you place the Product in its original packaging or packaging that provides the same amount of protection as the original packaging. If you purchased the Product from an online web site, mail your original receipt and the Product to the address listed on the web site. Make sure that you put the Product in its original packaging or packaging that provides the same amount of protection as the original packaging.

To obtain in-home warranty service for a television with a screen 25 inches or larger, call 1-888-BESTBUY. Call agents will diagnose and correct the issue over the phone or will have an Insignia-approved repair person dispatched to your home.

Where is the warranty valid?

This warranty is valid only to the original purchaser of the product in the United States and Canada.

What does the warranty not cover?

This warranty does not cover:

- Customer instruction
- Installation
- Set up adjustments
- Cosmetic damage
- Damage due to acts of God, such as lightning strikes
- Accident
- Misuse
- Abuse

- Negligence
- Commercial use
- Modification of any part of the Product, including the antenna
- Plasma display panel damaged by static (non-moving) images applied for lengthy periods (burn-in).

This warranty also does not cover:

- Damage due to incorrect operation or maintenance
- Connection to an incorrect voltage supply
- Attempted repair by anyone other than a facility authorized by Insignia to service the Product
- Products sold as is or with all faults
- Consumables, such as fuses or batteries
- Products where the factory applied serial number has been altered or removed

REPAIR REPLACEMENT AS PROVIDED UNDER THIS WARRANTY IS YOUR EXCLUSIVE REMEDY. INSIGNIA SHALL NOT BE LIABLE FOR ANY INCIDENTAL OR CONSEQUENTIAL DAMAGES FOR THE BREACH OF ANY EXPRESS OR IMPLIED WARRANTY ON THIS PRODUCT, INCLUDING, BUT NOT LIMITED TO, LOST DATA, LOSS OF USE OF YOUR PRODUCT, LOST BUSINESS OR LOST PROFITS. INSIGNIA PRODUCTS MAKES NO OTHER EXPRESS WARRANTIES WITH RESPECT TO THE PRODUCT, ALL EXPRESS AND IMPLIED WARRANTIES FOR THE PRODUCT, INCLUDING, BUT NOT LIMITED TO, ANY IMPLIED WARRANTIES OF AND CONDITIONS OF MERCHANTABILITY AND FITNESS FOR A PARTICULAR PURPOSE, ARE LIMITED IN DURATION TO THE WARRANTY PERIOD SET FORTH ABOVE AND NO WARRANTIES, WHETHER EXPRESS OR IMPLIED, WILL APPLY AFTER THE WARRANTY PERIOD. SOME STATES, PROVINCES AND JURISDICTIONS DO NOT ALLOW LIMITATIONS ON HOW LONG AN IMPLIED WARRANTY LASTS, SO THE ABOVE LIMITATION MAY NOT APPLY TO YOU. THIS WARRANTY GIVES YOU SPECIFIC LEGAL RIGHTS, AND YOU MAY ALSO HAVE OTHER RIGHTS, WHICH VARY FROM STATE TO STATE OR PROVINCE TO PROVINCE.

Contact Insignia:

For customer service please call 1-877-467-4289

www.insignia-products.com

Distributed by Best Buy Purchasing, LLC

7601 Penn Avenue South, Richfield, Minnesota, U.S.A. 55423-3645

© 2008 Best Buy Enterprise Services, Inc.

All rights reserved. INSIGNIA is a trademark of Best Buy Enterprise Services, Inc. Registered in some countries. All other products and brand names are trademarks of their respective owners.

Insignia NS-B3111

Minichaîne avec lecteur de CD et radio AM/FM

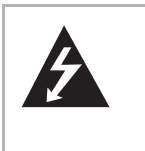
Table des matières

Bienvenue	19
Informations sur la sécurité	19
Fonctionnalités	22
Installation de la minichaîne	24
Fonctionnement de la minichaîne portable avec lecteur de CD26	
Problèmes et solutions	30
Maintenance	31
Avis juridiques	33
Garantie limitée de 90 jours	35

Bienvenue

Félicitations d'avoir acheté ce produit Insignia de haute qualité. Le modèle NS-B3111 représente la dernière avancée technologique dans la conception de minichaînes portatives et a été conçu pour des performances et une fiabilité exceptionnelles.

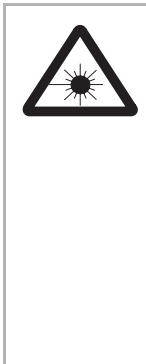
Informations sur la sécurité



Ce symbole indique qu'une tension dangereuse, constituant un risque de choc électrique, est présente dans cet appareil. Cette étiquette est située au dos ou en dessous de l'appareil.



Ce symbole indique que d'importantes instructions concernant le fonctionnement et la maintenance figurent dans la documentation qui accompagne cet appareil.



Ce produit utilise un laser de classe 1 pour lire les disques compacts. Cette minichaîne avec lecteur de CD est équipée d'interrupteurs de sécurité pour éviter toute exposition lorsque le couvercle du CD est ouvert et que les verrous de sécurité ont été contournés. Un rayonnement laser invisible est émis lorsque le couvercle du CD est ouvert et que le dispositif de verrouillage du système est défaillant ou a été neutralisé. Éviter toute exposition directe au rayonnement laser. Ne pas neutraliser ou contourner les interrupteurs de sécurité.

Avertissement

Afin de réduire le risque d'incendie et de choc électrique, ne pas exposer cet appareil à la pluie ou l'humidité.

Avertissement

L'utilisation de commandes ou la modification des procédures autres que celles spécifiées dans le présent manuel pourrait entraîner une exposition dangereuse aux radiations.

Avertissement

Afin de réduire le risque de choc électrique, ne pas enlever le couvercle (ou le panneau arrière). Aucune pièce interne ne peut être réparée par l'utilisateur. Confier tout entretien à du personnel qualifié.

Lire les instructions

Lire toutes les instructions de sécurité et de fonctionnement avant d'utiliser cet appareil.

Conserver les instructions

Conserver les instructions de sécurité et de fonctionnement pour toute référence ultérieure.

Respecter les avertissements et les instructions

Respecter tous les avertissements sur cet appareil ainsi que dans les instructions d'utilisation. Toutes les instructions d'utilisation et de fonctionnement doivent être observées.

Mise à la terre ou polarisation

Ne pas chercher à modifier le dispositif de sécurité de la prise polarisée ou de type mise à la terre. Une prise polarisée comporte deux plots, un plus large que l'autre. Une prise de type mise à la terre est composée de deux plots et d'un troisième de mise à la terre. Ce troisième plot, large ou rond a été prévu pour la sécurité de l'utilisateur. Si la fiche ne s'adapte toujours pas à la prise secteur, contacter un électricien afin qu'il remplace la prise inadéquate.

Emplacement

Si l'appareil est placé sur une surface vernie ou sur une surface à fini naturel, protéger la surface à l'aide d'un chiffon ou de tout autre matériau protecteur.

Éviter toute exposition à la lumière solaire directe, à des températures extrêmes et à l'humidité.

Ventilation

Les fentes et ouvertures au dos et au bas du boîtier sont prévues pour la ventilation, pour assurer un fonctionnement fiable de l'appareil et le protéger contre toute surchauffe. Ces ouvertures ne doivent être ni bloquées ni obstruées. Elles ne doivent jamais être bloquées en installant l'appareil sur un lit, un sofa, un tapis ou toute autre surface semblable.

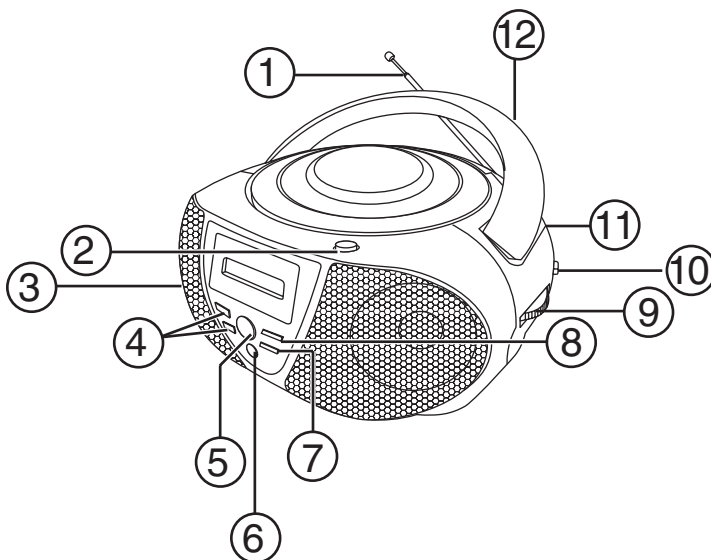
Eau et humidité

Ne pas utiliser cet appareil près de l'eau. Par exemple près d'une baignoire, un lavabo, un évier ou un baquet à linge, dans un sous-sol humide ou près d'une piscine.

Éviter les éclaboussures et les gouttes d'eau sur l'appareil. Ne pas placer d'objets tels qu'un vase rempli de liquide sur l'appareil.

Fonctionnalités

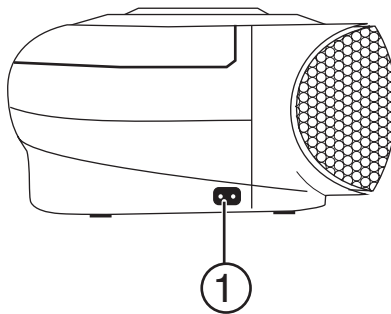
Avant



	Fonctionnalité	Description
1	Antenne FM	Déployer l'antenne puis la faire pivoter jusqu'à obtention de la meilleure réception radio FM.
2	Touche d'ouverture	Pour ouvrir le compartiment du CD.
3	Prise d'entrée CA	Brancher le cordon d'alimentation sur cette prise.
4	Touche Saut avant/ Recherche croissante ▶▶ Touche Saut arrière/ Recherche décroissante ◀◀	Permet de sauter à la piste suivante ou précédente ou de rechercher une piste sur un CD.
5	Touche Lecture/Pause ▶	Permet de lire ou d'interrompre momentanément la lecture d'un CD.
6	Touche Arrêt ■	Permet d'arrêter la lecture du CD.

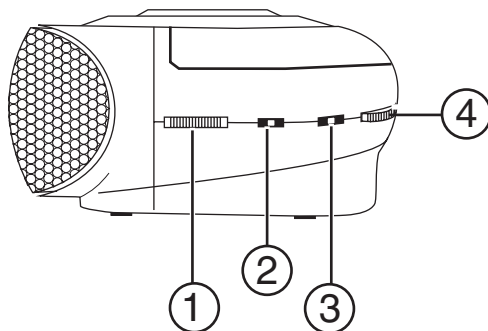
	Fonctionnalité	Description
7	Touche RÉPÉTITION	Pour répéter une piste unique d'un CD ou le CD tout entier. Pour plus d'informations, voir "Répétition d'une piste unique ou de tout un CD" à la page 28.
8	Touche PROGRAMMATION	Permet de programmer une liste de lecture. Pour plus d'informations, voir "Programmation d'une liste de lecture" à la page 28.
9	Commande de SYNTONISATION	La faire tourner pour sélectionner une station de radio.
10	Sélecteur de bande	Le faire glisser pour sélectionner la radio AM ou FM.
11	Sélecteur de fonction	Le faire glisser pour sélectionner RADIO, CD ou OFF (Arrêt).
12	Commande du VOLUME	Faire tourner le bouton pour régler le volume.

Gauche



	Fonctionnalité	Description
1	Prise d'entrée CA	Brancher le cordon d'alimentation sur cette prise.

Droite



	Fonctionnalité	Description
1	Commande de SYNTONISATION	La faire tourner pour sélectionner une station de radio.
2	Sélecteur de bande	Le faire glisser pour sélectionner la radio AM ou FM.
3	Sélecteur de fonction	Le faire glisser pour sélectionner RADIO, CD ou OFF (Arrêt).
4	Commande du VOLUME	Faire tourner le bouton pour régler le volume.

Installation de la minichaîne

Connexion du cordon d'alimentation

Pour brancher le cordon d'alimentation :

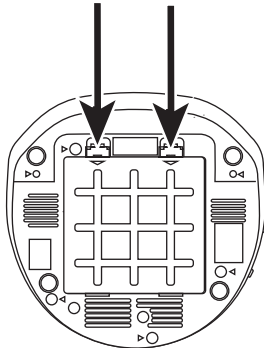
- 1 Brancher le cordon d'alimentation sur la prise d'entrée CA située sur le côté gauche de l'appareil.
- 2 Brancher l'autre extrémité du cordon d'alimentation sur une prise secteur 120 V CA/60 Hz.

Installation des piles

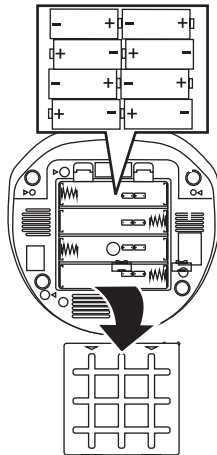
Pour installer les piles :

- 1 Vérifier que le cordon d'alimentation est débranché.

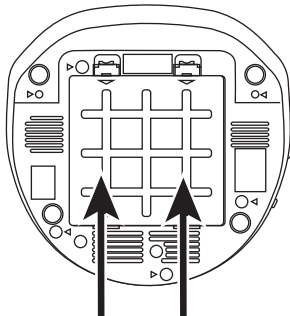
- 2** Retirer le couvercle du compartiment des piles.



- 3** Insérer huit piles de type C (non fournies) dans le compartiment. Veiller à ce que les pôles + et – des piles coïncident avec les repères + et – figurant à l'intérieur du compartiment.



- 4** Replacer le couvercle du compartiment des piles.



Fonctionnement de la minichaîne portative avec lecteur de CD

Mise en marche et arrêt de la minichaîne

Pour mettre la minichaîne sous et hors tension :

- 1 Faire glisser le sélecteur de fonction sur RADIO pour écouter la radio ou sur CD pour lire un CD.
- 2 Faire glisser le sélecteur de fonction sur OFF (Arrêt) pour mettre la minichaîne hors tension.

Écoute de la radio

Pour écouter la radio :

- 1 Vérifier que le sélecteur de fonction est sur la position RADIO.
- 2 Faire glisser le sélecteur de bande sur AM ou FM. L'écran ACL affiche kHz (AM) ou MHz (FM).
- 3 Faire tourner la commande **TUNING** (Syntonisation) pour sélectionner une station de radio. L'écran ACL indique la fréquence de la station.
- 4 Faire tourner la commande du **VOLUME** pour régler celui-ci.

Amélioration de la réception

Pour améliorer la réception :

- Réception AM : faire pivoter la minichaîne jusqu'à obtention d'un signal clair.
- Réception FM : déployer l'antenne FM puis la faire pivoter jusqu'à obtention d'un signal clair.

Écoute d'un CD

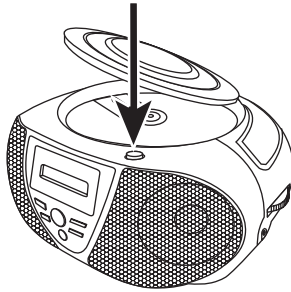
Remarque

Outre les CD audio, la minichaîne peut lire des CD-R. Il est nécessaire de finaliser un CD-R avant de pouvoir le lire.

Pour écouter un CD :

- 1 Vérifier que le sélecteur de fonction est sur la position CD.

- Appuyer sur **OPEN** (Ouvrir) pour ouvrir le compartiment du CD.



- Insérer un CD, étiquette tournée vers le haut, dans le compartiment du CD.
- Appuyer délicatement sur le couvercle du compartiment du CD pour le fermer.
- Appuyer sur Lecture/Pause ►|| pour commencer la lecture.
- Selon le besoin, faire tourner la commande du **VOLUME** pour régler celui-ci.
- Pour arrêter la lecture, appuyer sur Arrêt ■.

Commande de la lecture d'un CD

Pour commander la lecture d'un CD :

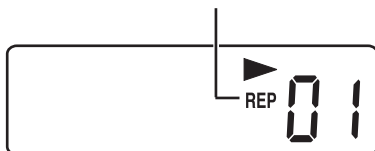
- Pour arrêter momentanément la lecture, appuyer sur Lecture/Pause ►||. Pour reprendre la lecture, appuyer de nouveau sur cette touche.
- Pour aller à la piste suivante, appuyer sur Saut avant/Recherche croissante ►►]. Pour aller à la piste précédente, appuyer sur Saut arrière/Recherche décroissante |◄◄.
- Pour effectuer une recherche en avant dans la chanson en cours d'audition, appuyer sans relâcher sur Saut avant/Recherche croissante ►►]. Pour effectuer une recherche en arrière dans la chanson en cours d'audition, appuyer sans relâcher sur Saut arrière/Recherche décroissante |◄◄.

Répétition d'une piste unique ou de tout un CD

Pour répéter une piste unique :

- Pendant la lecture d'une piste, appuyer une fois sur **REPEAT** (Répétition). L'icône **REP** s'allume et la piste est reproduite en continu.

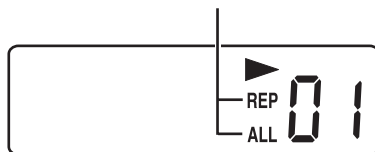
Icône **REP**



Pour répéter tout un CD :

- Pendant la lecture d'un CD, appuyer deux fois sur **REPEAT** (Répétition). Les icônes **REP** et **ALL** s'allument et le CD est reproduit en continu.

Icônes **REP** et **ALL**



Pour annuler la fonction de répétition (lecture en boucle) :

- Pendant la lecture en boucle d'une piste, appuyer deux fois sur **REPEAT** (Répétition).
- Pendant la lecture en boucle de tout un CD, appuyer une fois sur **REPEAT** (Répétition).

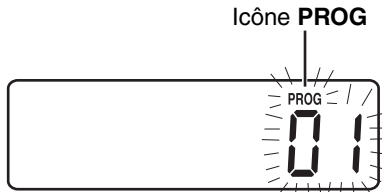
Programmation d'une liste de lecture

Il est possible de programmer une liste de lecture comprenant jusqu'à 20 pistes ou chansons.

Pour programmer une liste de lecture :

- 1 Vérifier que la minichaîne est en mode Arrêt.

- Appuyer sur **PROGRAM** (Programmation). L'icône **PROG** et le numéro de piste clignotent.



- Appuyer sur Saut avant/Recherche croissante ►►► ou sur Saut arrière/Recherche décroissante ◀◀◀ pour sélectionner une piste ou une chanson.
- Appuyer sur **PROGRAM** (Programmation) pour enregistrer la sélection.
- Répéter les étapes 2 à 4 pour ajouter d'autres pistes ou chanson à la liste de programmation.
- Appuyer sur Lecture/Pause ►|| pour commencer la lecture de la liste.

Pour vérifier une liste de lecture :

- Appuyer sur Arrêt ■.
- Appuyer sur **PROGRAM** (Programmation), puis sur Saut avant/Recherche croissante ►►►, pour vérifier toutes les pistes ou chansons de la liste de lecture.
- Appuyer sur Lecture/Pause ►|| pour reprendre la lecture.

Pour modifier une liste de lecture :

- Appuyer sur Arrêt ■.
- Appuyer sur **PROGRAM** (Programmation), puis sur Saut avant/Recherche croissante ►►►, pour vérifier toutes les pistes ou chansons de la liste de lecture.
- Appuyer sur Saut avant/Recherche croissante ►►► ou sur Saut arrière/Recherche décroissante ◀◀◀ pour sélectionner une piste ou une chanson.
- Appuyer sur **PROGRAM** (Programmation) pour enregistrer la sélection.
- Répéter les étapes 2 à 4 pour ajouter d'autres pistes ou chanson à la liste de programmation.

Pour annuler une liste de lecture :

- Faire glisser le sélecteur de fonction sur **RADIO** ou **OFF** (Arrêt).

Ou

- Appuyer deux fois sur Arrêt ■.

Ou

- Ouvrir le compartiment du CD.

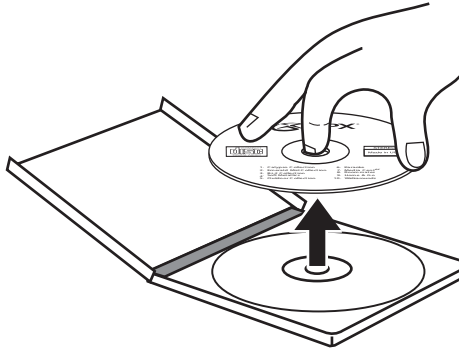
Problèmes et solutions

Problème	Cause éventuelle	Solution possible
Pas de son.	L'appareil n'est pas alimenté en électricité.	Vérifier que le cordon d'alimentation est branché sur une prise secteur ou remplacer les piles.
	La lecture n'a pas commencé.	Appuyer sur Play/Pause (Lecture/Pause).
	Le sélecteur de fonction n'est pas sur la position correcte.	Vérifier que le sélecteur de fonction est sur la position correcte.
	La commande du VOLUME est réglée au minimum.	Augmenter le volume.
Un CD a été inséré mais les pistes ne sont pas affichées.	Le CD a été inséré à l'envers.	Vérifier que le CD est inséré correctement avec l'étiquette tournée vers le haut.
	Le CD est sale.	Nettoyer le CD. Pour plus d'informations, voir "Nettoyage d'un CD" a la page 32.
	Le CD est rayé ou voilé.	Insérer un autre CD.
	De la condensation s'est formée dans la platine du lecteur de CD.	Retirer le CD et laisser le compartiment du CD ouvert pendant environ une heure pour que la condensation s'évapore.
La lecture de certaines sections d'un CD est anormale.	Le CD est sale.	Nettoyer le CD. Pour plus d'informations, voir "Nettoyage d'un CD" a la page 32.
	Le CD est rayé.	Sauter les sections rayées ou remplacer le CD.

Maintenance

Manipulation des CD

- Pour retirer un CD de son boîtier, le tenir par la périphérie tout en appuyant légèrement sur le trou central.



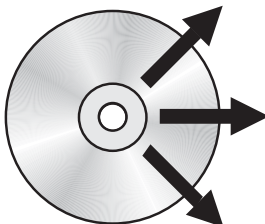
- Ne pas toucher la surface brillante d'un CD ou plier le CD.
- Placer le CD sur le plateau, avec l'étiquette tournée vers le haut.
- Ranger les CD dans leurs boîtiers lorsqu'ils ne sont pas utilisés.
- Ne pas ranger des CD dans un endroit où la température peut être élevée, tel qu'un véhicule.

Nettoyage d'un CD

La lecture d'un CD sale risque d'être incorrecte.

Pour nettoyer un CD :

- À l'aide d'un chiffon doux, essuyer le CD d'un mouvement rectiligne du centre vers la périphérie.



Précautions

Ne pas utiliser de solvants (tels que : nettoyant pour disque, diluant ou benzène) pour nettoyer un CD.

Nettoyage de la minichaîne portative

Suivre les indications suivantes pour le nettoyage de la minichaîne :

- Nettoyer l'extérieur de la minichaîne avec un chiffon doux, propre et humecté d'eau tiède ordinaire.
- Ne jamais utiliser de solvants tels que le benzène ou d'autres produits de nettoyage chimiques puissants car ils pourraient endommager le fini de l'appareil.
- Éviter la pénétration de gouttes de liquide à l'intérieur de l'appareil.

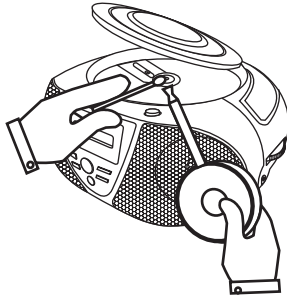
Nettoyage de la lentille optique

Si un CD saute des pistes pendant la lecture ou si la lecture du CD est impossible, la lentille optique est peut être sale.

Pour nettoyer la lentille optique :

- 1 Ouvrir le compartiment du CD.

- 2 Utiliser une brosse pneumatique pour lentille d'appareil pour souffler sur la lentille optique, puis essuyer la lentille avec la brosse pour enlever la poussière et la saleté.



- 3 Puis souffler de nouveau sur la lentille optique.
- 4 Si la lentille optique est toujours sale, la nettoyer à l'aide d'un coton-tige. Procéder au nettoyage du centre vers la périphérie de la lentille.

Avis juridiques

FCC article 15

Cet appareil est conforme à l'article 15 du règlement de la FCC. Son utilisation est soumise aux deux conditions suivantes : (1) Cet appareil ne doit pas provoquer d'interférences dangereuses et (2) il doit accepter toute interférence reçue, y compris celles risquant d'engendrer un fonctionnement indésirable.

Cet équipement a été mis à l'essai et déclaré conforme aux limites prévues pour un appareil numérique de classe B, définies dans la section 15 de la réglementation FCC. Ces limites ont été établies pour fournir une protection raisonnable contre les interférences indésirables lors d'une installation résidentielle. Cet équipement génère, utilise et diffuse des ondes radio et, s'il n'est pas installé et utilisé conformément aux instructions dont il fait l'objet, il peut provoquer des interférences indésirables avec les communications radio. Cependant, il n'est pas possible de garantir qu'aucune interférence ne se produira pour une installation particulière. Si cet équipement produit des interférences importantes lors de réceptions radio ou télévisées, qui peuvent être détectées en éteignant puis en rallumant l'appareil, essayer de corriger l'interférence au moyen de l'une ou de plusieurs des mesures suivantes :

- Réorienter ou déplacer l'antenne réceptrice.
- Augmenter la distance entre l'équipement et le récepteur.
- Brancher l'équipement sur la prise électrique d'un circuit différent de celui auquel le récepteur est relié.
- Contacter le revendeur ou un technicien qualifié pour toute assistance.

Avertissement de la FCC

Tous changements ou modifications qui ne seraient pas expressément approuvés par les responsables de l'application des règles FCC pourraient rendre nul le droit de l'utilisateur d'utiliser cet équipement.

Déclaration NMB-003 du Canada

Cet appareil numérique de la classe B est conforme à la norme NMB-003 du Canada.

Droits d'auteurs

© 2008 Insignia. Insignia et le logo Insignia sont des marques de commerce de Best Buy Enterprise Services, Inc. Les autres noms de marques et de produits mentionnés sont des marques de commerce ou des marques déposées de leurs propriétaires respectifs. Les spécifications et caractéristiques sont susceptibles d'être modifiées sans préavis.

Pour l'assistance technique, appeler le (877) 467-4289.

Garantie limitée de 90 jours

Insignia Products ("Insignia") garantit au premier acheteur de ce **NS-B3111** neuf ("Produit"), qu'il est exempt de vices de fabrication et de main-d'œuvre à l'origine, pour une période de 90 jours à partir de la date d'achat du Produit ("Période de garantie"). Ce produit doit avoir été acheté chez un revendeur agréé des produits de la marque Insignia et emballé avec cette déclaration de garantie. Cette garantie ne couvre pas les Produits remis à neuf. Les conditions de la présente garantie s'appliquent à tout Produit pour lequel Insignia est notifié, pendant la Période de garantie, d'un vice couvert par cette garantie qui nécessite une réparation.

Quelle est la durée de la couverture ?

La Période de garantie dure 90 jours à compter de la date d'achat de ce Produit. La date d'achat est imprimée sur le reçu fourni avec le Produit.

Que couvre cette garantie ?

Pendant la Période de garantie, si un vice de matériau ou de main-d'œuvre d'origine est détecté sur le Produit par un service de réparation agréé par Insignia ou le personnel du magasin, Insignia (à sa seule discrétion) : (1) réparera le Produit en utilisant des pièces détachées neuves ou remises à neuf ; ou (2) remplacera le Produit par un produit ou des pièces neuves ou remises à neuf de qualité comparable. Les produits et pièces remplacés au titre de cette garantie deviennent la propriété d'Insignia et ne sont pas retournés à l'acheteur. Si les Produits ou pièces nécessitent une réparation après l'expiration de la Période de garantie, l'acheteur devra payer tous les frais de main d'œuvre et les pièces. Cette garantie reste en vigueur tant que l'acheteur reste propriétaire du Produit Insignia pendant la Période de garantie. La garantie prend fin si le Produit est revendu ou transféré d'une quelconque façon que ce soit à tout autre propriétaire.

Comment obtenir une réparation sous garantie ?

Si le Produit a été acheté chez un détaillant, le rapporter accompagné du reçu original chez ce détaillant. S'assurer de remettre le Produit dans son emballage d'origine ou dans un emballage qui procure la même qualité de protection que celui d'origine. Si le Produit a été acheté en ligne, l'expédier accompagné du reçu original à l'adresse indiquée sur le site Web. S'assurer de remettre le Produit dans son emballage d'origine ou dans un emballage qui procure la même qualité de protection que celui d'origine.

Pour obtenir le service de la garantie à domicile pour un téléviseur avec écran de 25 po ou plus, appeler le 1-888-BESTBUY. L'assistance technique établira un diagnostic et corrigera le problème au téléphone ou enverra un technicien agréé par Insignia pour la réparation à domicile.

Où cette garantie s'applique-t-elle ?

Cette garantie ne s'applique qu'à l'acheteur original du Produit aux États-Unis et au Canada.

Ce qui n'est pas couvert par cette garantie limitée

La présente garantie ne couvre pas :

- la formation du client ;
- l'installation ;
- les réglages de configuration ;
- les dommages esthétiques ;
- les dommages résultants de catastrophes naturelles telles que la foudre ;
- les accidents ;

- une utilisation inadaptée ;
- une manipulation abusive ;
- la négligence ;
- une utilisation commerciale ;
- la modification de tout ou partie du Produit, y compris l'antenne ;
- Un écran plasma endommagé par les images fixes (sans mouvement) qui restent affichées pendant de longues périodes (rémanentes).

La présente garantie ne couvre pas non plus :

- les dommages ayant pour origine une utilisation ou une maintenance défectueuse ;
- la connexion à une source électrique dont la tension est inadéquate ;
- Toute réparation effectuée par quiconque autre qu'un service de réparation agréé par Insignia pour la réparation du Produit
- les Produits vendus en l'état ou hors service ;
- les consommables tels que les fusibles ou les piles ;
- les produits dont le numéro de série usine a été altéré ou enlevé du Produit.

LA RÉPARATION OU LE REMPLACEMENT, TELS QU'OFFERTS PAR LA PRÉSENTE GARANTIE, CONSTITUENT LE SEUL RECOURS DE L'ACHETEUR. INSIGNIA NE SAURAIT ÊTRE TENU POUR RESPONSABLE DE DOMMAGES ACCESSOIRES OU CONSÉCUTIFS, RESULTANT DE L'INEXÉCUTION D'UNE GARANTIE EXPRESSE OU IMPLICITE SUR CE PRODUIT, Y COMPRIS, SANS S'Y LIMITER, LA PERTE DE DONNÉES, L'IMPOSSIBILITÉ D'UTILISER LE PRODUIT, L'INTERRUPTION D'ACTIVITÉ OU LA PERTE DE PROFITS. INSIGNIA PRODUCTS N'OCTROIE AUCUNE AUTRE GARANTIE EXPRESSE RELATIVE À CE PRODUIT ; TOUTES LES GARANTIES EXPRESSES OU IMPLICITES POUR CE PRODUIT, Y COMPRIS MAIS SANS LIMITATION, TOUTE GARANTIE DE QUALITÉ MARCHANDE, D'ADÉQUATION À UN BUT PARTICULIER, SONT LIMITÉES À LA PÉRIODE DE GARANTIE APPLICABLE TELLE QUE DÉCRITE CI-DESSUS ET AUCUNE GARANTIE EXPRESSE OU IMPLICITE, NE S'APPLIQUERONT APRÈS LA PÉRIODE DE GARANTIE. CERTAINS ÉTATS ET PROVINCES NE RECONNAISSENT PAS LES LIMITATIONS DE LA DURÉE DE VALIDITÉ DES GARANTIES IMPLICITES. PAR CONSÉQUENT, LES LIMITATIONS SUSMENTIONNÉES PEUVENT NE PAS S'APPLIQUER À L'ACHETEUR ORIGINAL. LA PRÉSENTE GARANTIE DONNE À L'ACHETEUR DES GARANTIES JURIDIQUES SPÉCIFIQUES ; IL PEUT AUSSI BÉNÉFICIER D'AUTRES GARANTIES QUI VARIENT D'UN ÉTAT OU D'UNE PROVINCE À L'AUTRE.

Pour contacter Insignia :

Pour le service à la clientèle, appeler le 1-877-467-4289

www.insignia-products.com

Distribué par Best Buy Purchasing, LLC

7601 Penn Avenue South, Richfield, Minnesota, U.S.A. 55423-3645

© 2008 Best Buy Enterprise Services, Inc.

Tous droits réservés. INSIGNIA est une marque déposée de Best Buy Enterprise Services, Inc. Tous les autres produits ou noms de marques sont des marques de commerce qui appartiennent à leurs propriétaires respectifs.

Insignia NS-B3111

Boombox de CD con Radio AM/FM

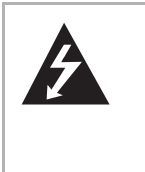
Contenido

Bienvenido	37
Información de seguridad	37
Características	40
Preparación de su boombox	42
Uso de su boombox	44
Localización y corrección de fallas	48
Mantenimiento	49
Avisos legales	50
Garantía limitada de 90 días	53

Bienvenido

Felicitaciones por su compra de un producto de alta calidad de Insignia. Su NS-B3111 representa el más moderno diseño de boombox, y está concebido para brindar un rendimiento confiable y sin problemas.

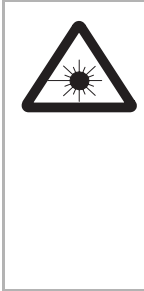
Información de seguridad



Este símbolo indica que voltaje peligroso que puede constituir un riesgo de choque eléctrico se encuentra presente dentro de su boombox. Esta etiqueta se encuentra ubicada en la parte posterior de su boombox.



Este símbolo indica que hay instrucciones importantes de operación y mantenimiento en la literatura que acompaña a su boombox.



Su boombox utiliza un láser Clase 1 para leer discos compactos. Este boombox está equipado con interruptores de seguridad para evitar la exposición cuando la puerta del CD está abierta y se han vencido los seguros. Hay radiación de láser invisible presente cuando la bandeja del CD está abierta y han fallado o se han vencido los seguros. Evite la exposición directa al rayo láser en todo momento. No trate de vencer ni cancelar los seguros.

Advertencia

Para reducir el riesgo de incendio o choque eléctrico, no exponga su boombox a la lluvia o la humedad.

Advertencia

Cualquier uso de los controles o un ajuste en los procedimientos diferente a los especificados en el presente puede resultar en radiación peligrosa.

Advertencia

Para reducir el riesgo de choque eléctrico, no retire la cubierta o la parte posterior. No existen partes reparables por el usuario en el interior. Para realizar cualquier reparación, acuda al personal de servicio calificado.

Lea las instrucciones

Lea todas las instrucciones de seguridad y operación antes de usar su boombox.

Guarde las instrucciones

Conserve las instrucciones de seguridad y operación para referencia futura.

Siga las advertencias y las instrucciones

Preste atención a todas las advertencias sobre su boombox y las instrucciones de operación. Siga todas las instrucciones de operación y uso.

Conexión a tierra o polarización

No anule el propósito de seguridad del enchufe con polarización o con conexión a tierra. Un enchufe polarizado tiene dos espigas una más ancha que la otra. Un enchufe del tipo de conexión a tierra tiene dos espigas y una clavija de tierra. La espiga ancha y la clavija de tierra se proveen para su seguridad. Si el enchufe no cabe, póngase en contacto con un electricista para reemplazar el tomacorriente obsoleto.

Ubicación

Cuando coloque su boombox sobre acabado barnizado o natural, proteja el mueble con un paño u otro material protector.

Evite la exposición directa a la luz solar, temperaturas extremas y humedad.

Ventilación

Las ranuras y aberturas en el gabinete y en la parte posterior o en la base se proporcionan con fines de ventilación, operación confiable y protección contra sobrecalentamiento. Estas aberturas no se deben bloquear ni cubrir. No cubra las aberturas al colocar su boombox sobre una cama, sofá, alfombra, o cualquier otra superficie parecida.

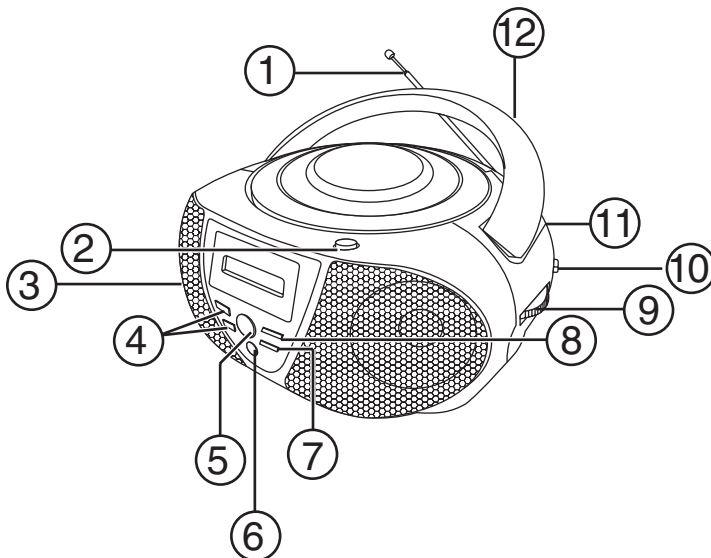
Agua y humedad

No use su boombox cerca del agua. Por ejemplo, no lo use cerca de una bañera, lavabo, fregadero de cocina o lavadero, en un sótano mojado o cerca de una piscina.

No exponga el boombox a salpicaduras o goteo. No coloque objetos que contienen líquidos, como por ejemplo un florero, sobre la parte superior de su boombox.

Características

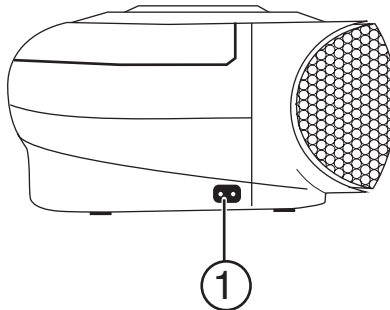
Vista frontal



No.	Función	Descripción
1	Antena de FM	Extienda la antena y gírela para obtener la mejor recepción de radio FM.
2	Botón Abrir	Permite abrir la puerta del CD.
3	Conector AC IN (Entrada de CA)	Enchufe el cable de alimentación en este toma.
4	Botón Saltar/Buscar hacia arriba ►► Botón Saltar/Buscar hacia abajo ◄◄	Permite saltar a la siguiente pista del CD o a la anterior, o para buscar una pista en un CD.
5	Botón Reproducir/Pausar ►	Permite reproducir o pausar la reproducción del CD.
6	Botón Detener ■	Permite detener la reproducción del CD.
7	Botón REPETIR	Permite repetir una pista o todo el CD. Para obtener más información, refiérase a "Repetición de una pista o todo un CD" on la página 46.

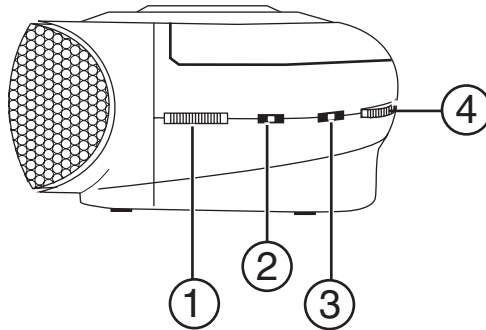
No.	Función	Descripción
8	Botón PROGRAMAR	Permite programar una lista de reproducción. Para obtener más información, refiérase a "Programación de una lista de reproducción" on la página 46.
9	Control de SINTONIZACIÓN	Gire para seleccionar una emisora de radio.
10	Selector de banda	Deslice para seleccionar AM o FM.
11	Selector de función	Permite seleccionar entre RADIO, CD y OFF (Apagado).
12	Control de VOLUMEN	Gire para ajustar el volumen.

Vista Izquierda



No.	Función	Descripción
1	Conector AC IN (Entrada de CA)	Enchufe el cable de alimentación en este toma.

Vista Derecha



No.	Función	Descripción
1	Control de SINTONIZACIÓN	Gire para seleccionar una emisora de radio.
2	Selector de banda	Deslice para seleccionar AM o FM.
3	Selector de función	Permite seleccionar entre RADIO, CD y OFF (Apagado).
4	Control de VOLUMEN	Gire para ajustar el volumen.

Preparación de su boombox

Conexión del cable de alimentación

Para conectar el cable de alimentación:

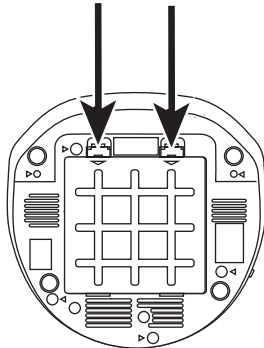
- 1 Conecte el cable de alimentación en el toma AC IN (Entrada de CA) en el lado izquierdo de su boombox.
- 2 Enchufe el otro extremo del cable de alimentación de CA en un tomacorriente de 120 VCA / 60 Hz.

Instalación de las pilas

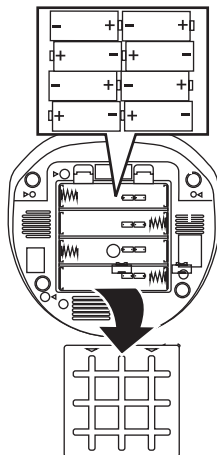
Para instalar las pilas:

- 1 Asegúrese de que el cable de alimentación esté desenchufado.

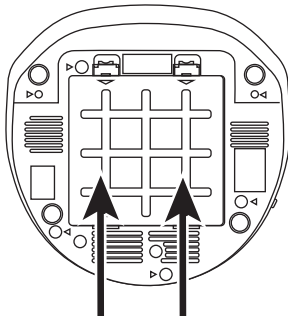
- 2 Extraiga la cubierta del compartimiento de las pilas.



- 3 Inserte ocho pilas tipo C (no incluidas) en el compartimiento de pilas. Compruebe que los símbolos + y - en las pilas coincidan con los símbolos + y - dentro del compartimiento de las pilas.



- 4 Vuelva a colocar la cubierta del compartimiento de las pilas.



Uso de su boombox

Encendido y apagado de su boombox

Para encender y apagar su boombox:

- 1 Deslice el interruptor de función a la posición RADIO para escuchar la radio o a la posición CD para reproducir un CD.
- 2 Deslice el interruptor de función a la posición OFF (Apagado) para apagar su boombox.

Escuchando la radio

Para escuchar la radio:

- 1 Asegúrese de que el interruptor de función se encuentra en la posición RADIO.
- 2 Deslice el interruptor de banda a la posición AM o FM. La pantalla LCD muestra kHz (AM) o MHz (FM).
- 3 Gire el control **TUNING** (Sintonizar) para seleccionar una emisora de radio. La pantalla LCD muestra la frecuencia de la estación.
- 4 Si es necesario, gire el control **VOLUME** (Volumen) para ajustar el volumen.

Mejoramiento de la recepción

Para mejorar la recepción de radio:

- Recepción de AM – Gire su boombox hasta que se aclare la señal.
- Recepción de FM – Extienda la antena FM, y gírela hasta que se aclare la señal.

Escuchando un CD

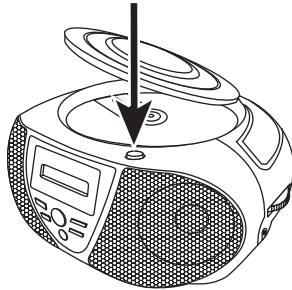
Nota

Además de CDs de audio, su boombox puede reproducir discos CD-R. Un disco CD-R debe ser finalizado antes de que se pueda reproducir.

Para escuchar un CD:

- 1 Asegúrese de que el interruptor de función se encuentra en la posición CD.

- Presione **OPEN** (Abrir) para abrir la puerta del CD.



- Inserte un CD, con la etiqueta hacia arriba, en el compartimiento del CD.
- Presione ligeramente la puerta del CD para cerrar el compartimiento del CD.
- Presione Reproducir/Pausar ►|| para comenzar la reproducción.
- Si es necesario, gire el control **VOLUME** (Volumen) para ajustar el volumen.
- Para detener la reproducción, presione Detener ■.

Control de la reproducción de CD

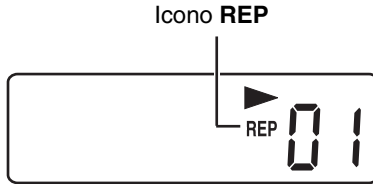
Para controlar la reproducción del CD:

- Para pausar la reproducción, presione Reproducir/Pausar ►||. Para reanudar la reproducción, presione el botón nuevamente.
- Para saltar a la siguiente pista, presione Saltar hacia adelante/Avanzar ►►|. Para saltar a la pista anterior, presione Saltar hacia atrás/Retroceder ◀◀|.
- Para avanzar en la canción actual, mantenga presionado Saltar hacia adelante/Avanzar ►►|. Para retroceder en la canción actual, mantenga presionado Saltar hacia atrás/Retroceder ◀◀|.

Repetición de una pista o todo un CD

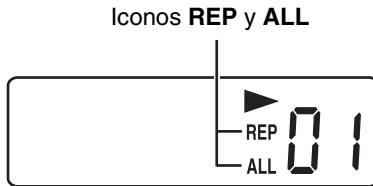
Para repetir sólo una pista:

- Mientras se reproduce la pista, presione **REPEAT** (Repetir) una vez. El icono **REP** se iluminará, y la pista se reproducirá continuamente.



Para repetir todo el CD:

- Mientras se está reproduciendo el CD, presione **REPEAT** (Repetir) dos veces. Los iconos **REP** y **ALL** se iluminarán, y el CD se reproducirá continuamente.



Para cancelar la función de repetición:

- Si está reproduciendo una pista, presione **REPEAT** (Repetir) dos veces.
- Si está repitiendo todo el CD, presione **REPEAT** (Repetir) una vez.

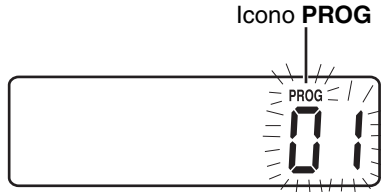
Programación de una lista de reproducción

Se puede programar una lista de reproducción de hasta 20 pistas o canciones.

Para programar una lista de reproducción:

- 1 Asegúrese de que el boombox se encuentra detenido.

- 2 Presione **PROGRAM** (Programar). El icono **PROG** y el número de pista parpadearán.



- 3 Presione Saltar hacia adelante/Avanzar ►►I o Saltar hacia atrás/Retroceder I◄◄ para seleccionar una pista o canción.
- 4 Presione **PROGRAM** (Programar) para guardar su selección.
- 5 Repita los pasos del 2 al 4 para programar más pistas o canciones.
- 6 Presione Reproducir/Pausar ►II para reproducir su lista de reproducción.

Para revisar una lista de reproducción:

- 1 Presione Detener ■.
- 2 Presione **PROGRAM** (Programar), y luego Saltar hacia adelante/Avanzar ►►I, para revisar todas las pistas o canciones en su lista de reproducción.
- 3 Presione Reproducir/Pausar ►II para reanudar la reproducción.

Para editar su lista de reproducción:

- 1 Presione Detener ■.
- 2 Presione **PROGRAM** (Programar), y luego Saltar hacia adelante/Avanzar ►►I, para revisar todas las pistas o canciones en su lista de reproducción.
- 3 Presione Saltar hacia adelante/Avanzar ►►I o Saltar hacia atrás/Retroceder I◄◄ para seleccionar una pista o canción.
- 4 Presione **PROGRAM** (Programar) para guardar su selección.
- 5 Repita los pasos del 2 al 4 para programar más pistas o canciones.

Para cancelar una lista de reproducción:

- Deslice el interruptor de función a la posición **RADIO** u **OFF** (Apagado).
-
- Presione Detener ■ dos veces.
-
- Abra la puerta del CD.

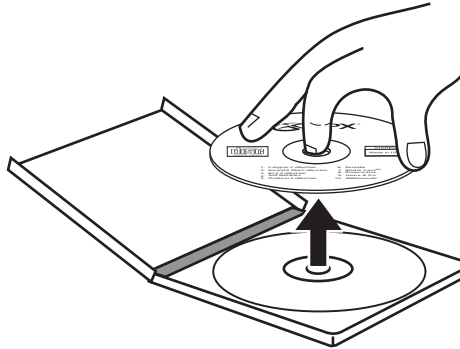
Localización y corrección de fallas

Problema	Causa probable	Solución probable
No hay sonido.	Su boombox no está enchufada.	Asegúrese de que el cable de alimentación está conectado en un tomacorriente o reemplace las pilas.
	No se puede comenzar la reproducción.	Presione Reproducir/Pausar.
	El interruptor de función no se encuentra en la posición correcta.	Asegúrese de que el interruptor de función se encuentra en la posición correcta.
	El control de VOLUMEN se encuentra en el nivel mínimo.	Suba el volumen.
Hay un CD insertado, pero no se muestran las pistas.	El CD está insertado al revés.	Asegúrese de que el CD se ha insertado con la etiqueta hacia arriba.
	El CD está sucio.	Limpie el CD. Para obtener más información, refiérase a "Limpieza de los CD" on la página 49.
	El CD está rayado o doblado.	Pruebe con otro CD.
	Se ha formado humedad dentro del reproductor de CD.	Extraiga el CD, deje la puerta del CD abierta por aproximadamente una hora para que se evapore la humedad.
Ciertas secciones de un CD no se reproducen normalmente.	El CD está sucio.	Limpie el CD. Para obtener más información, refiérase a "Limpieza de los CD" on la página 49.
	El CD está rayado.	Sáltese las secciones rayadas o reemplace el CD.

Mantenimiento

Cómo manipular los CD

- Para sacar un CD de su estuche, sosténgalo por las orillas mientras presiona ligeramente sobre el agujero central.



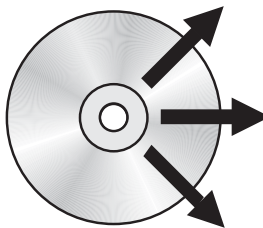
- No toque la superficie brillante del CD ni lo doble.
- Coloque el disco en la bandeja con la etiqueta hacia arriba.
- Guarde los CD en sus estuches cuando no estén en uso.
- No almacene CDs en áreas donde se puedan calentar, tal cómo un automóvil.

Limpieza de los CD

Puede ser que un CD sucio no funcione correctamente.

Para limpiar un CD:

- Limpie el CD con un paño suave desde el centro hacia el borde exterior.

**Cuidado**

No utilice ningún solvente, tal cómo un rociador para discos, diluyente, o benceno para limpiar un CD.

Limpeza de su boombox

Para limpiar su boombox, siga estas guías:

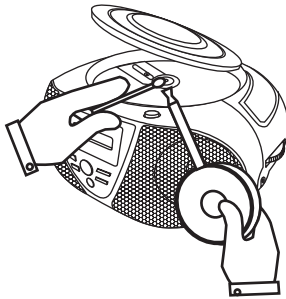
- Use un paño suave limpio y humedecido con agua templada para limpiar el exterior de su boombox.
- Nunca utilice solventes como benceno u otros limpiadores químicos fuertes ya que pueden dañar el acabado de su boombox.
- No permita que líquido gotee dentro de su boombox.

Limpeza del lente

Si un CD salta durante la reproducción o no se puede reproducir del todo, el lente puede estar sucio.

Para limpiar el lente:

- 1 Abra la puerta del CD.
- 2 Utilice una brocha y sopladora para lentes de cámara para soplar el sucio del lente y luego límpielo cuidadosamente con la brocha para remover el sucio y el polvo.



- 3 Sople el lente de nuevo.
- 4 Si el lente sigue sucio, utilice un algodón para limpiar el lente. Comience en el centro del lente y limpie hacia la orilla.

Avisos legales

FCC Parte 15

Este dispositivo satisface la parte 15 del reglamento FCC. La operación de este producto está sujeta a las dos condiciones siguientes: (1) Este dispositivo no puede causar interferencia dañina, y (2) este dispositivo debe aceptar cualquier interferencia recibida incluyendo interferencias que puedan causar una operación no deseada.

Este equipo ha sido sometido a prueba y se ha determinado que satisface los límites establecidos para ser clasificado como dispositivo digital de la Clase B de acuerdo con la Parte 15 del reglamento FCC. Estos límites se han establecido para proporcionar una protección razonable contra interferencias perjudiciales en una instalación residencial. Este equipo genera, usa y puede emitir energía de radiofrecuencia. Si no se instala y usa de acuerdo con las instrucciones, este aparato puede causar interferencias perjudiciales a las comunicaciones de radio. Sin embargo, no se garantiza que no ocurrirá interferencia en una instalación particular. Si el equipo causa interferencias perjudiciales en la recepción de la señal de radio o televisión, lo cual puede comprobarse encendiéndolo y apagándolo alternativamente, se recomienda al usuario corregir la interferencia mediante uno de los siguientes procedimientos:

- Cambie la orientación o la ubicación de la antena receptora.
- Aumente la distancia entre el equipo y el receptor.
- Conecte el equipo a un tomacorriente de un circuito distinto de aquel al que está conectado el receptor.
- Solicite consejo al distribuidor o a un técnico calificado para obtener ayuda.

Advertencia de la FCC

Cualquier cambio o modificación que no esté aprobado expresamente por la parte responsable por el cumplimiento con el reglamento de FCC puede anular la autoridad del usuario para operar el equipo.

Declaración del ICES-003 de Canadá

Este aparato digital de Clase B cumple con el ICES-003 canadiense.

Derechos de reproducción

© 2008 Insignia. Insignia y el logotipo de Insignia son marcas de comercio de Best Buy Enterprise Services, Inc. Otras marcas y nombres de productos son marcas comerciales o marcas registradas de sus dueños respectivos. Las especificaciones y características están sujetas a cambio sin aviso previo u obligación.

Para reparación y soporte llamar al (877) 467-4289.

Garantía limitada de 90 días

Insignia Products ("Insignia") le garantiza a usted, el comprador original de este nuevo **NS-B3111** ("Producto"), que éste se encontrará libre de defectos de material o de mano de obra en su fabricación original por un período de 90 (noventa) días a partir de la fecha de compra del Producto ("Período de Garantía"). Este producto debe ser comprado en un distribuidor autorizado de productos de la marca Insignia y empaçado con esta declaración de garantía. Esta garantía no cubre Productos reacondicionados. Si notifica a Insignia durante el Período de Garantía sobre un defecto cubierto por esta garantía que requiere reparación, los términos de esta garantía se aplican.

¿Cuánto dura la garantía?

El Período de Garantía dura por 90 (noventa) días a partir de la fecha en que compró el Producto. La fecha de compra se encuentra impresa en el recibo que recibió con el Producto.

¿Qué es lo que cubre esta garantía?

Durante el Período de Garantía, si un centro de reparación autorizado de Insignia concluye que la fabricación original del material o la mano de obra del Producto se encuentran defectuosos, Insignia (cómo su opción exclusiva): (1) reparará el Producto con repuestos nuevos o reacondicionados; o (2) reemplazará el Producto sin cargo con uno nuevo o con uno reacondicionado con repuestos equivalentes. Los Productos y repuestos reemplazados bajo esta garantía se volverán propiedad de Insignia y no se le regresarán a usted. Si se requiere la reparación de Productos o partes después de que se vence el Período de Garantía, usted deberá pagar todos los costos de mano de obra y de repuestos. Esta garantía estará vigente con tal que usted sea el dueño de su Producto Insignia durante el periodo de garantía. El alcance de la garantía se termina si usted vende o transfiere el Producto.

¿Cómo se obtiene la reparación de garantía?

Si ha comprado el Producto en una tienda de ventas, lleve su recibo original y el Producto a la tienda en donde lo compró. Asegúrese de que vuelva a colocar el Producto en su empaque original o en un empaque que provea la misma protección que el original. Si compró el Producto en un sitio Web, envíe por correo su recibo original y el Producto a la dirección postal listada en el sitio Web. Asegúrese de colocar el Producto en su empaque original o en un empaque que provea la misma protección que el original.

Para obtener el servicio de garantía a domicilio para un televisor con pantalla de 25" o más, llame al 1-888-BESTBUY. El soporte técnico diagnosticará y corregirá el problema por teléfono o enviará un técnico certificado por Insignia a su casa.

¿En dónde es válida la garantía?

Esta garantía sólo es válida al comprador original del Producto en los Estados Unidos y en Canadá.

¿Qué es lo que no cubre la garantía?

Esta garantía no cubre:

- Formación del cliente
- Instalación
- Ajuste de configuración
- Daños cosméticos
- Daños debido a actos de la naturaleza, tal cómo rayos
- Accidentes

- Mal uso
- Abuso
- Negligencia
- Uso comercial
- Modificación de alguna parte del Producto, incluyendo la antena
- Un panel de pantalla de plasma dañado por la persistencia de imágenes estáticas (sin movimiento), mostradas por periodos de tiempo extendido (efecto "burn-in").

Esta garantía tampoco cubre:

- Daño debido al uso o mantenimiento incorrecto
- La conexión a una fuente de voltaje incorrecta
- El intento de reparación por alguien que no sea una compañía autorizada por Insignia para reparar el Producto
- Productos vendidos tal cual (en el estado en que se encuentran) o con todas sus fallas
- Productos consumibles, tal cómo fusibles o baterías
- Productos en los cuales el número de serie asignado en la fábrica ha sido alterado o removido.

LA REPARACIÓN O REEMPLAZO SEGÚN LO PROVISTO BAJO ESTA GARANTÍA ES SU ÚNICO RECURSO. INSIGNIA NO SERÁ RESPONSABLE POR DAÑOS INCIDENTALES O CONSECUENTES DEBIDO AL INCUMPLIMIENTO DE CUALQUIER GARANTÍA EXPRESA O IMPLÍCITA RELACIONADA CON ESTE PRODUCTO, INCLUYENDO, PERO SIN LIMITARSE A ELLO, PÉRDIDA DE DATOS, IMPOSIBILIDAD DE USO DE SU PRODUCTO, PÉRDIDA DE NEGOCIO O LUCRO CESANTE. INSIGNIA NO CONCEDE NINGUNA OTRA GARANTÍA EXPRESA CON RESPECTO AL PRODUCTO; TODAS LAS GARANTÍAS EXPRESAS E IMPLÍCITAS DE ESTE PRODUCTO, INCLUYENDO PERO SIN LIMITARSE A, CUALQUIER GARANTÍA IMPLÍCITA DE O CONDICIONES DE COMERCIALIZACIÓN O IDONEIDAD PARA UN USO PARTICULAR, ESTÁN LIMITADAS EN DURACIÓN AL PERÍODO DE GARANTÍA DECLARADO ANTERIORMENTE Y NINGUNA GARANTÍA YA SEA EXPRESA O IMPLÍCITA SE APLICARÁ DESPUÉS DEL PERÍODO DE GARANTÍA. ALGUNOS ESTADOS, PROVINCIAS Y JURISDICCIONES NO PERMITEN RESTRICCIONES EN CUANTO A LA DURACIÓN DE UNA GARANTÍA IMPLÍCITA, ASÍ QUE LA RESTRICCIÓN ANTERIOR PUEDE NO APLICARSE EN SU CASO. ESTA GARANTÍA LE DA DERECHOS LEGALES ESPECÍFICOS, Y USTED PUEDE POSEER OTROS DERECHOS QUE VARIAN DE ESTADO A ESTADO, O PROVINCIA A PROVINCIA.

Comuníquese con Insignia:

Para servicio al cliente favor llamar al 1-877-467-4289

www.insignia-products.com

Distribuido por Best Buy Purchasing, LLC

7601 Penn Avenue South, Richfield, Minnesota, U.S.A. 55423-3645

© 2008 Best Buy Enterprise Services, Inc.

Todos los derechos reservados. INSIGNIA es una marca registrada de Best Buy Enterprise Services, Inc. Todos los demás productos y marcas son marcas comerciales de sus respectivos dueños.

INSIGNIA™

www.insignia-products.com (877) 467-4289

Distributed by Best Buy Purchasing, LLC
7601 Penn Avenue South, Richfield, MN USA 55423-3645
© 2008 Best Buy Enterprise Services, Inc.

All rights reserved. INSIGNIA is a trademark of Best Buy Enterprise Services, Inc. Registered in some countries.
All other products and brand names are trademarks of their respective owners.

Distribué par Best Buy Purchasing, LLC
7601 Penn Avenue South, Richfield, MN USA 55423-3645
© 2008 Best Buy Enterprise Services, Inc.

Tous droits réservés. INSIGNIA est une marque de Best Buy Enterprise Services, Inc. Déposée dans certains pays.
Tous les autres produits ou noms de marques sont des marques de commerce qui appartiennent à leurs propriétaires respectifs.

Distribuido por Best Buy Purchasing, LLC
7601 Penn Avenue South, Richfield, MN USA 55423-3645
© 2008 Best Buy Enterprise Services, Inc.

Todos los derechos reservados. INSIGNIA es una marca de Best Buy Enterprise Services, Inc. Registrada en ciertos países.
Todos los demás productos y marcas son marcas comerciales de sus respectivos dueños.

Free Manuals Download Website

<http://myh66.com>

<http://usermanuals.us>

<http://www.somanuals.com>

<http://www.4manuals.cc>

<http://www.manual-lib.com>

<http://www.404manual.com>

<http://www.luxmanual.com>

<http://aubethermostatmanual.com>

Golf course search by state

<http://golfingnear.com>

Email search by domain

<http://emailbydomain.com>

Auto manuals search

<http://auto.somanuals.com>

TV manuals search

<http://tv.somanuals.com>