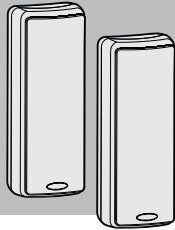


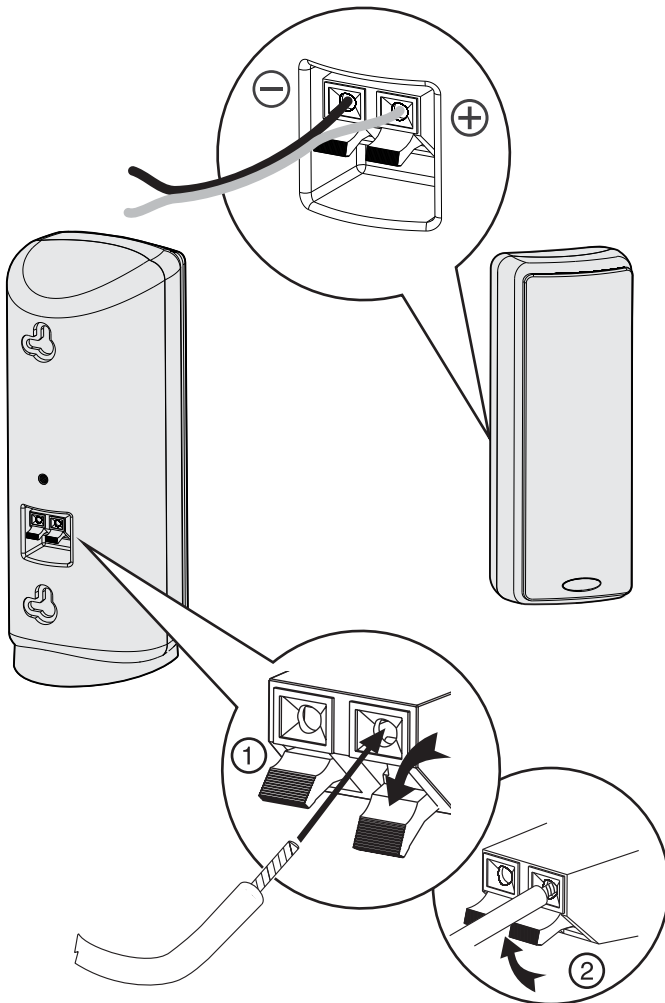
Congratulations on your purchase of a high-quality Insignia product. Your 2-Way Bookshelf Speakers are designed for reliable and trouble-free performance.

Package contents

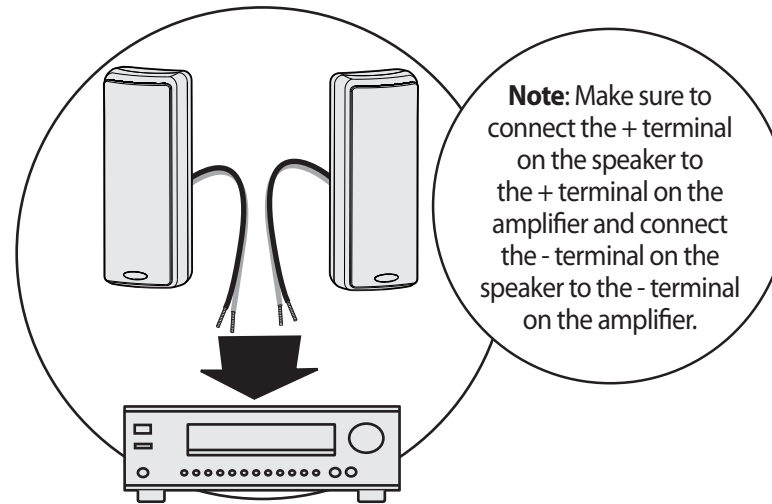
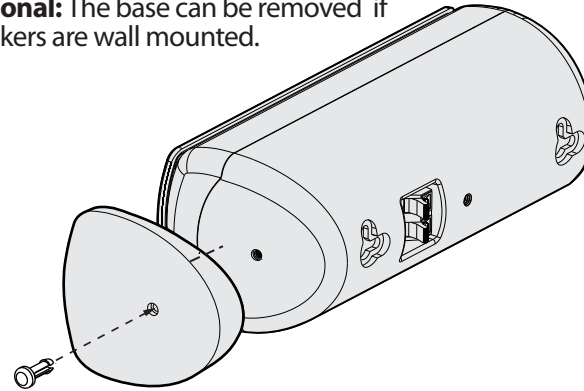
- Speakers (2)
- Quick Setup Guide



1 Connect speakers



Optional: The base can be removed if speakers are wall mounted.



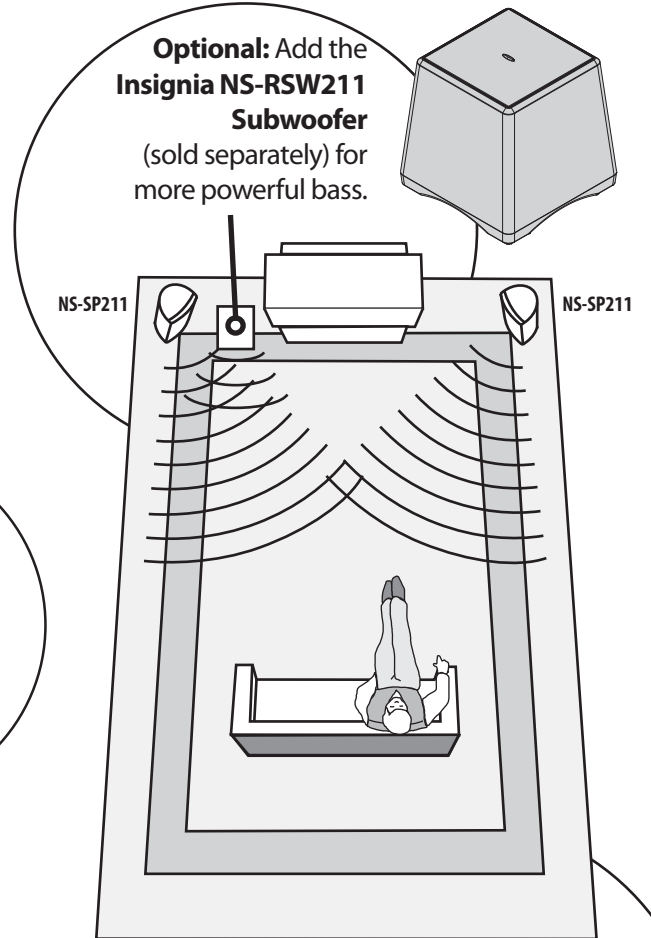
Note: Make sure to connect the + terminal on the speaker to the + terminal on the amplifier and connect the - terminal on the speaker to the - terminal on the amplifier.

Note: For best performance, you must connect the speaker wires correctly. All two-conductor wire is marked in some way to help you do this. One side will be marked with a colored stripe, a raised rib, or a different-color conductor. Use the marked side for the "red" connections.

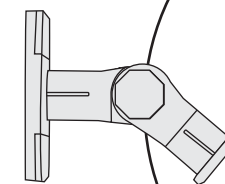
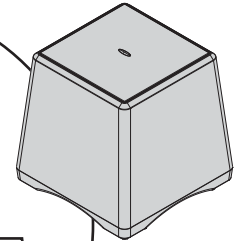
Connecting the speakers

- 1 Connect the red speaker terminals to the red (+) amplifier terminals.
- 2 Connect the black speaker terminals to the black (-) amplifier terminals. See the documentation that came with your amplifier or home theater system for more information on connecting the cables.

2 Position your speakers



Optional: Add the Insignia NS-RSW211 Subwoofer (sold separately) for more powerful bass.



NS-SP211 speakers are compatible with **Dynex DX-SWM** series speaker wall mounts (sold separately). **Note:** Keyholes on the back of your speakers could be used instead of mounts. The mounts allow you to aim your speakers as desired.

Specifications

- Magnetically shielded
- 150 Hz to 20 kHz frequency response
- 8 ohm nominal impedance
- Speaker Power Handling: 160W Peak (80W Peak / Speaker)
- Dimension:
 - (without rubber base)
9.7 H x 3.75 W x 4.25 D in.
(24.8 x 9.6 x 10.8 cm)
 - (with rubber base)
9.9 H x 3.75 W x 4.25 D in.
(25.2 x 9.6 x 10.8 cm)
- Weight: 2.2 lb (1 kg) (1 speaker)

For additional help setting up your speakers, call (877) 467-4289.

One-year warranty

Insignia Products ("Insignia") warrants to you, the original purchaser of this new Product, that the Product shall be free of defects in the original manufacture of the material or workmanship for a period of 1 year from the date of your purchase of the Product ("Warranty Period"). This Product must be purchased from an authorized dealer of Insignia brand products and packaged with this warranty statement. This warranty does not cover refurbished Product. If you notify Insignia during the Warranty Period of a defect covered by this warranty that requires service, terms of this warranty apply.

How long does the coverage last?

The Warranty Period lasts for 1 year from the date you purchased the Product. The purchase date is printed on the receipt you received with the Product.

What does this warranty cover?

During the Warranty Period, if the original manufacture of the material or workmanship of the Product is determined to be defective by an authorized Insignia repair center or store personnel, Insignia will (at its sole option): (1) repair the Product with new or rebuilt parts; or (2) replace the Product at no charge with new or rebuilt comparable products or parts. Products and parts replaced under this warranty become the property of Insignia and are not returned to you. If service of Products or parts are required after the Warranty Period expires, you must pay all labor and parts charges. This warranty lasts as long as you own your Insignia Product during the Warranty Period. Warranty coverage terminates if you sell or otherwise transfer the Product.

How to obtain warranty service?

If you purchased the Product at a retail store location, take your original receipt and the Product to the store you purchased it from. Make sure that you place the Product in its original packaging or packaging that provides the same amount of protection as the original packaging. If you purchased the Product from an online web site, mail your original receipt and the Product to the address listed on the web site. Make sure that you put the Product in its original packaging or packaging that provides the same amount of protection as the original packaging. www.insigniaproducts.com

Where is the warranty valid?

This warranty is valid only to the original purchaser of the product in the United States, Canada, and Mexico.

What does the warranty not cover?

This warranty does not cover:

- Customer instruction
- Installation
- Set up adjustments
- Cosmetic damage
- Damage due to acts of God, such as lightning strikes
- Accident
- Misuse
- Abuse
- Negligence
- Commercial use
- Modification of any part of the Product, including the antenna
- Plasma display panel damaged by static (non-moving) images applied for lengthy periods (burn-in).

This warranty also does not cover:

Free Manuals Download Website

<http://myh66.com>

<http://usermanuals.us>

<http://www.somanuals.com>

<http://www.4manuals.cc>

<http://www.manual-lib.com>

<http://www.404manual.com>

<http://www.luxmanual.com>

<http://aubethermostatmanual.com>

Golf course search by state

<http://golfingnear.com>

Email search by domain

<http://emailbydomain.com>

Auto manuals search

<http://auto.somanuals.com>

TV manuals search

<http://tv.somanuals.com>