

Thank you for purchasing this high-quality Insignia RF Modulator. This product is designed to connect AV components with no RF (coaxial) output, such as Blu-ray/DVD players, gaming systems, etc., to an older TV that has only an RF input.

### Package contents

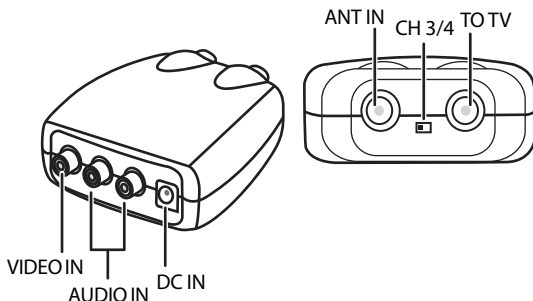
- RF Modulator
- Power adapter
- *Quick Setup Guide*

### Required parts

The following items (not supplied) are required:

- One composite AV cable with three RCA connectors (yellow, red, and white) at each end.
- One 75-ohm coaxial cable

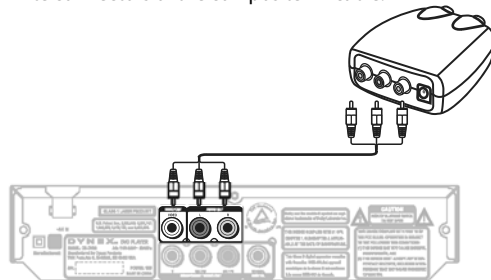
### Features



### Connecting your RF Modulator

- 1 Connect a composite AV cable (not included) from the AV output jacks (yellow for video; red and white for stereo audio) of the source component (Blu-ray/DVD player, gaming system, etc.) to the corresponding color-coded input jacks on the RF Modulator.

**Note:** For mono AV components, use only the yellow and white connectors of the composite AV cable.



- 2 Connect the coaxial cable to the TV using one of the following methods that matches your setup:

- If you have an RF TV source, such as a cable/satellite box or TV antenna, connected to the TV, disconnect that component from the TV and connect the coaxial cable to the **ANT IN** jack on the RF Modulator. Connect a separate coaxial cable from the **TO TV** jack on the RF Modulator to the RF input jack on the TV.
- If you do not have an **RF TV** source, connect a coaxial cable from the **TO TV** jack on the RF Modulator to the RF input jack on the TV.

**Note:** If your TV has only 300-ohm VHF screw terminals, use a 75-ohm-to-300-ohm matching transformer to

**3** Connect the barrel plug on the included power adapter to the **DC IN** jack on the RF Modulator, and plug it into a standard 120V AC outlet.

## Using your RF Modulator

- 1** Turn on the TV and set it to either Channel **3** or **4**, whichever is not used for regular broadcasts in your area.
- 2** Set the RF Modulator's **CHANNEL 3/4** switch to the same channel you set the TV (3 or 4).
- 3** Turn on the AV component that is connected to the RF Modulator and use it following the manufacturers instructions.
- 4** To view TV channels through a cable/satellite box or antenna that is connected to the **ANT IN** jack on the RF Modulator, power off the AV component that is connected to the RCA inputs of the RF Modulator. The internal A/B switch in the RF Modulator will automatically switch over to the **ANT IN** device.

## Legal notices

### FCC Part 15

This device complies with Part 15 of FCC Rules. Operation is subject to the following two conditions: (1) This device may not cause harmful interference, and (2) this device must accept any interference received, including interference that may cause undesired operation.

Your modulator may cause TV or radio interference even when is operating properly. To determine whether your modulator is causing the interference, turn it off. If the interference goes away, your modulator is causing it.

Try to eliminate the interference by:

- Moving your RF Modulator away from the receiver.
- Connecting your RF Modulator to an outlet that is on a different electrical circuit from the receiver.
- Contacting your local store for help.

If you cannot eliminate the interference, the FCC requires that you stop using your RF Modulator. Changes or modifications not expressly approved by the party responsible for compliance could void the user's FCC authorization to operate this equipment.

### ICES-003

This Class B digital apparatus complies with Canadian ICES-003

## Important safety instructions

**CAUTION:** Risk of electric shock. Do not open.



The lightning flash with arrowhead symbol inside a triangle is intended to alert you to the presence of uninsulated dangerous voltage within your RF modulator's enclosure. This voltage may be strong enough to cause an electric shock.



The exclamation point inside a triangle is intended to alert you to important operating and maintenance instructions.

- Read and follow these instructions.
- Retain these instructions for future reference.
- Follow all warnings.
- Do not use your RF modulator near water. Do not expose your RF modulator to dripping or splashing liquids. Do not place objects filled with liquid, such as a vase, on top of your RF modulator. Do not expose your RF modulator to rain.
- Clean your RF modulator with a dry cloth only.
- Do not block ventilation openings.
- Do not install near a heat source, such as a radiator, heat register, stove, or other heat producing device (including an amplifier).
- Do not defeat the safety purpose of the polarized plug. A polarized plug has two blades with one blade wider than the other. The wide blade is a safety feature. If the plug does not fit into your electrical outlet, contact an electrician to relace the obsolete outlet.
- Do not walk on, set items on, or pinch the power cord, especially at the plug and the back of your RF modulator.
- Unplug your RF modulator during lightning storms or when you do not intend to use your RF modulator for an extended period of time.
- Use and store your RF modulator indoors only. Extreme temperatures and humid environments can damage internal electronic components.

## One-year limited warranty

Visit [www.insigniaproducts.com](http://www.insigniaproducts.com) for details.

## Contact Insignia:

For customer service, call 1-877-467-4289 (U.S. and Canada) or 01-800-926-3000 (Mexico)  
[www.insigniaproducts.com](http://www.insigniaproducts.com)

INSIGNIA is a registered trademark of BBY Solutions, Inc. Registered in some countries.

Distributed by Best Buy Purchasing, LLC, 7601 Penn Ave South, Richfield, MN 55423 U.S.A.

©2014 BBY Solutions, Inc. All Rights Reserved.

## Free Manuals Download Website

<http://myh66.com>

<http://usermanuals.us>

<http://www.somanuals.com>

<http://www.4manuals.cc>

<http://www.manual-lib.com>

<http://www.404manual.com>

<http://www.luxmanual.com>

<http://aubethermostatmanual.com>

Golf course search by state

<http://golfingnear.com>

Email search by domain

<http://emailbydomain.com>

Auto manuals search

<http://auto.somanuals.com>

TV manuals search

<http://tv.somanuals.com>