

User Guide | Guide de l'utilisateur | Guía del Usuario

**INSIGNIA**<sup>TM</sup>

***DRAFT***

19" Combo DVD/LCD TV  
Ensemble DVD/ TV ACL de 19 po | Combo DVD/TV con Pantalla LCD de 19"

**NS-CL19C**

# Insignia NS-CL19C

## 19" Combo

### DVD/LCD TV

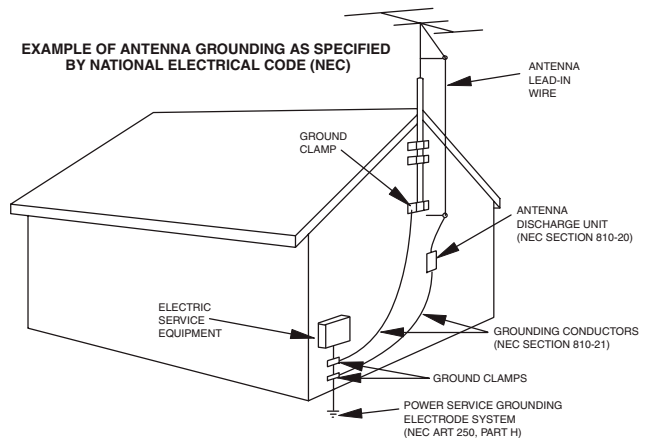
## Safety information

### Contents

Welcome	3
Safety information	3
Features	5
Accessories	5
Front view	5
Rear view - connectors	6
Rear view - DVD player	6
Remote control	7
Setting up your TV	8
Installing the remote control batteries	8
Using the remote control	8
Connecting to video sources	8
Using your TV	10
Turning the power on and off	10
Changing the volume	10
Changing the video source	10
Changing channels	10
Changing the picture mode	10
Programming channels into memory	11
Displaying status information	11
Adding a channel label	11
Setting the sleep timer	11
Viewing closed captions	11
Setting parental controls	11
Using the DVD player	13
Playing a DVD	13
Playing a CD	14
Playing a JPEG disc	15
Customizing TV settings	15
Opening and navigating the on-screen menus	15
Using the on-screen menu	15
On-screen menus	15
Customizing DVD player settings	16
Using the setup menu	16
Changing DVD settings	17
Troubleshooting	17
Maintaining	18
Specifications	18
Legal Notices	19
1 Year Limited Warranty	21
<b>Français</b>	<b>23</b>
<b>Español</b>	<b>25</b>

### Antenna connections

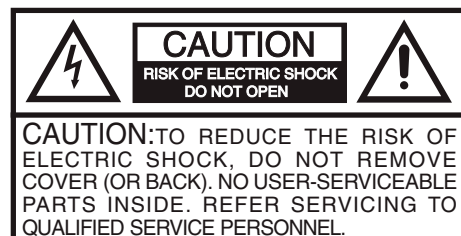
If an outside antenna is connected to the television equipment, make sure that the antenna system is grounded to provide protection against voltage surges and built-up static electricity charges. Section 810 of the National Electrical Code provides information on proper grounding of the mast and supporting structure, grounding of the lead-in wire to an antenna discharge unit, size of the grounding conductors, location of the antenna discharge unit, connection to grounding electrodes, and requirements for the grounding electrode.



- For added protection during a lightning storm, or when the product is left unattended and unused for long periods of time, unplug it from the power outlet and disconnect the antenna. This will prevent damage to the equipment due to lightning and power line surges.
- An outside antenna system should not be located near overhead power lines or other electric light or power circuits, or where it can fall into such power lines or circuits. When installing an outside antenna system, extreme care should be taken to keep from touching such power lines or circuits, because contact with them can be fatal.

### Risk of shock

To prevent fire or shock hazard, do not expose this appliance to rain or moisture.



### Welcome

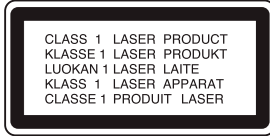
Congratulations on your purchase of a high-quality Insignia product. Your NS-CL15C represents the state of the art in television and DVD player design, and is designed for reliable and trouble-free performance.



The lightning flash with arrowhead symbol, within an equilateral triangle is intended to alert the user to the presence of uninsulated dangerous voltage within the product's enclosure that may be of sufficient magnitude to constitute a risk of electric shock.



The exclamation point within an equilateral triangle is intended to alert the user to the presence of important operating and maintenance (servicing) instructions in the literature accompanying the appliance.



### Caution:

This product employs a laser system. To ensure correct use of this product, read this owner's manual carefully and retain it for future reference. Should the DVD/VCR require maintenance, contact qualified service personnel.

Making adjustments to controls or performing procedures other than those specified herein may result in hazardous radiation exposure.

To prevent direct exposure to laser beam, do not try to open the enclosure. **DO NOT STARE INTO BEAM.**

### Caution:

Your DVD/VCR should not be exposed to water (dripping or splashing) and no objects filled with liquids, such as vases, should be placed on the apparatus.

### Caution:

Class 2M visible and invisible laser radiation when open and interlocks defeated. Do not stare into the beam or look at it directly with an optical instrument.

#### Caution

Most recorder manufacturers recommend their recorders be placed upon a dedicated circuit. That is, a single outlet circuit which powers only that recorder and has no additional outlets or branch circuits.

Do not overload wall outlets. Overloaded wall outlets, loose or damaged wall outlets, overloaded extension cords, frayed power cords, or damaged or cracked wire insulation are dangerous. Any of these conditions could result in electric shock or fire. Periodically examine the cord of your recorder, and if its appearance indicates damage or deterioration, unplug it, discontinue use of the recorder, and have the cord replaced with an exact replacement part by an authorized servicer.

Protect the power cord from physical or mechanical abuse, such as being twisted, kinked, pinched, closed in a door, or walked upon. Pay particular attention to plugs, wall outlets, and the point where the cord exits the recorder.

To disconnect power from the power outlet, pull out the power cord plug. When installing the product, make sure that the plug is easily accessible.

## Important safeguards

This product has been designed and manufactured to ensure personal safety. Improper use can result in electric shock or fire hazard. The safeguards incorporated in this product will protect you if you observe the following procedures in installing, using and servicing. The internal components of this product cannot be serviced or repaired by the user.

- Read these instructions—Read and understand all operating instructions before operating the product.
- Keep these instructions—These safety and operating instructions must be kept in a safe place for future reference.
- Heed all warnings—All warnings on the product and in these instructions must be closely followed.
- Follow instructions—All operating instructions must be followed.
- Accessories—Do not use attachments or accessories not recommended by Insignia. Use of improper accessories can result in accidents.
- Power source—This product must operate on a power source specified on the device label. If you are not sure of the type of power supply used in your home, ask your dealer or local power company.
- AC power cord protection—The AC power cords must be routed correctly to prevent damage from people stepping on them or from objects resting on them. Check the cord connections at the power outlet and where the cord attaches to the product.
- Overloading—Do not overload AC power outlets or extension cords. Overloading can cause fire or electric shock.
- Intrusions and spills—Never insert an object into the product through vents or openings. High voltage flows in the product, and inserting an object can cause electric shock and damage electrical components. For the same reason, do not spill water or liquid on the product.
- Servicing—Do not attempt to service the product yourself. Removing covers can expose you to high voltage and other dangerous conditions. Ask a qualified service technician to perform servicing.
- Repair—If any of the following conditions occur, unplug the AC power cord from the AC power outlet, then request a qualified service technician to perform repairs.
  - When the AC power cord or plug is damaged.
  - When liquid has spilled on the product or when objects have fallen into the product.
  - When the product has been exposed to rain or water.
  - When the product does not operate normally as described in these operating instructions. Do not touch controls other than those described in these instructions. Incorrect adjustment of

controls not described in these instructions can cause damage, which often requires extensive adjustment work by a qualified technician.

- When the product has been dropped or damaged.
- When the product displays an abnormal condition. Any noticeable abnormality in the product indicates that the product needs servicing.
- Replacement parts—In case the product needs replacement parts, make sure that the service person uses replacement parts specified by the manufacturer, or those with the same characteristics and performance as the original parts. Use of unauthorized parts can result in fire, electric shock, and other danger.
- Safety checks—After completion of service or repair work, ask the service technician to perform safety checks to make sure that the product is in proper operating condition.
- Wall or ceiling mounting—When mounting the product on a wall or ceiling, make sure to install the product according to the method recommended by the manufacturer of the mounting or support device.
- Speakers—Unplug the AC power cord from the AC power outlet before installing the speakers.
- Cleaning—Unplug the AC power cord from the AC power outlet before cleaning the product. Clean only with a dry cloth. Do not use liquid or aerosol cleaners.
- Water and moisture—Do not use this product near wet or moist environments, such as near a bathtub, washbasin, sink, laundry tub, swimming pool, or wet basement. Do not expose this product to dripping or splashing. Do not place objects filled with liquid on this product.
- Shelves and carts—Do not place this product on an unstable cart, stand, tripod, or table. Unstable installation is likely to make the product fall, resulting in serious injuries as well as damage to the product. Use only the cart, stand, tripod, bracket, or table specified by Insignia, or sold with the product. When you use a cart, exercise caution when moving the cart and device to avoid injury from them tipping over.
- Ventilation—The vents and other openings in the cabinet are designed for ventilation. Do not cover or block them, because insufficient ventilation can overheat and shorten the product's life span. Do not place the product on a bed, sofa, rug, or other soft surfaces, because they can block ventilation openings. This product is not designed for built-in installation. Do not place the product in an enclosed place, such as a bookcase or rack, unless you provide proper ventilation and the manufacturer's instructions are closely followed.
- Fragile—The LCD panel used in this product is made of glass, and can easily be broken when the product is dropped or receives an impact. If the panel becomes broken, exercise extreme caution to prevent injury from the broken glass.

- Non-active pixels—The LCD panel contains almost 3 million thin-film transistors, which provide exceptionally sharp video quality. Occasionally, a few non-active pixels may appear on the screen as a fixed blue, green, or red point. These non-active pixels do not adversely affect the performance of your product, and are not considered defects.
- Heat sources—Do not install this product near any heat sources such as radiators, heat registers, stoves, amplifiers, or other devices that produce heat.

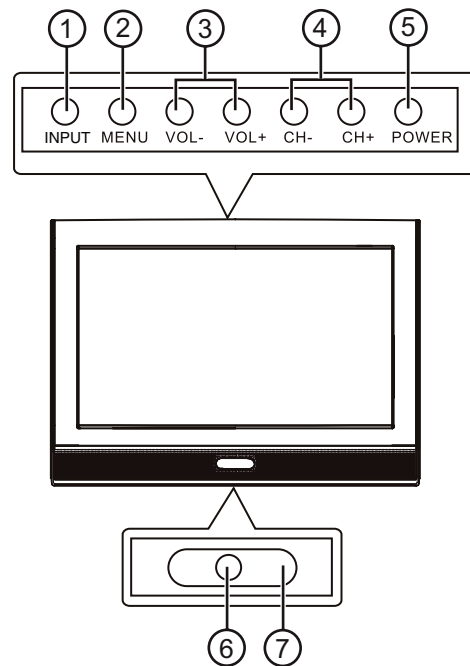
## Features

### Accessories

Make sure that the following accessories are provided in the packaging:

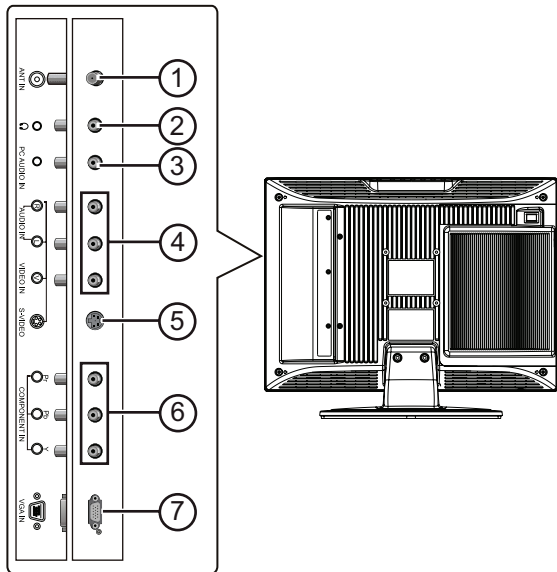
- Remote control
- Batteries (two - AA)
- User Guide

### Front view



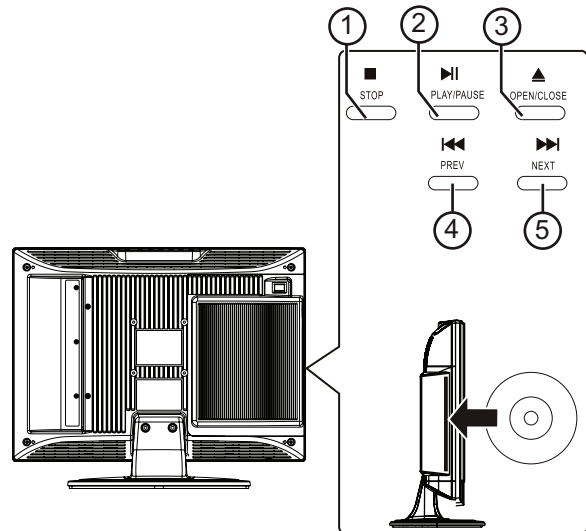
Item	Description
1	<b>INPUT</b> button. Press to select the AV signal input between TV, AV, S-VIDEO, PC, COMPONENT, and DVD.
2	<b>MENU</b> button. Press to open the main on screen menu.
3	<b>VOL -/+</b> buttons. Press to decrease or increase the volume.
4	<b>CH -/+</b> buttons. Press to change the channel.
5	<b>POWER</b> button. Press to turn on and turn off the TV.
6	Remote sensor. Receives signals from the remote control.
7	Power Indicator LED. Turns green when the TV is turned on and turns red when the TV is in standby mode.

## Rear view - connectors



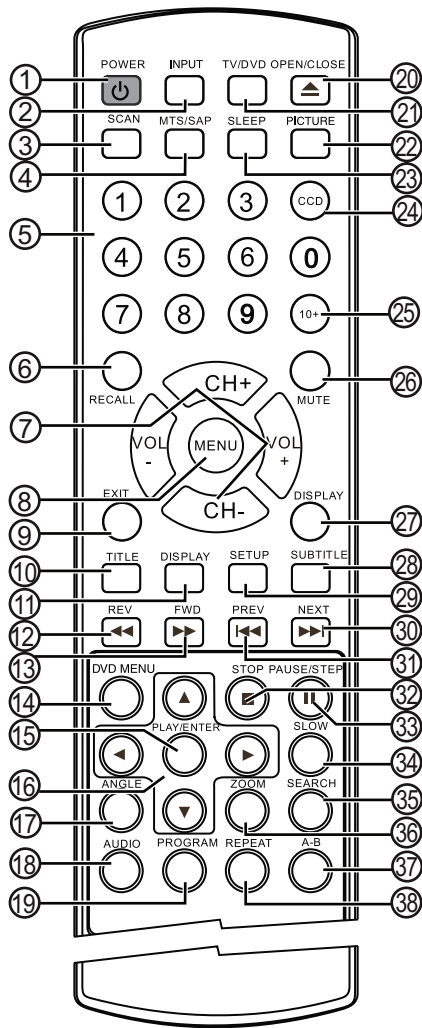
Item	Description
1	RF (75 ohm) antenna connector
2	Headphone jack
3	PC audio input jack
4	Composite video/audio input jacks
5	S-Video input jack
6	Component (YPbPr) input jacks
7	VGA video input (PC) jack

## Rear view - DVD player



Item	Description
1	■ <b>STOP</b> button. Press to stop disc playback.
2	▶   <b>PLAY/PAUSE</b> button. Press to begin playback, press again to pause playback. press again to resume playback.
3	▲ <b>OPEN/CLOSE</b> button. Press to open the disc tray. Press again to close the disc tray.
4	◀◀ <b>PREV</b> button. Press to go to the previous chapter or track. Press again to skip back by chapter or track.
5	▶▶ <b>NEXT</b> button. Press to go to the next chapter or track. Press again to skip forward by chapter or track.

**Remote control**



Item	Description
1	<b>POWER</b> button. Press to turn the TV on and off.
2	<b>INPUT</b> button. Press to select the AV signal input between TV, AV, S-VIDEO, PC, COMPONENT, and DVD.
3	<b>SCAN</b> button. Press to scan through memorized TV channels.
4	<b>MTS/SAP</b> button. Press to select Stereo, Mono, or SAP mode.
5	Number buttons: Press to directly enter channel numbers, DVD chapter numbers, and CD track numbers.
6	<b>RECALL</b> button. While in TV mode, press to return to the previous channel.
7	<b>CH +/-</b> buttons. Press to skip to the previous or next channel while in TV mode. In other modes (except DVD mode), press to change to TV mode. <b>VOL +/-</b> buttons. Press to change the volume.
8	<b>MENU</b> button. Press to open the TV menu. Press again to exit.
9	<b>EXIT</b> button. Press to turn off the on screen display.
10	<b>TITLE</b> button. Press to display the current DVD title.
11	<b>DISPLAY</b> button. Press to show information about the DVD playing.
12	<b>REV</b> button. Press to fast reverse a DVD.
13	<b>FWD</b> button. Press to fast forward a DVD.
14	<b>DVD MENU</b> button. Press to open the DVD root menu.

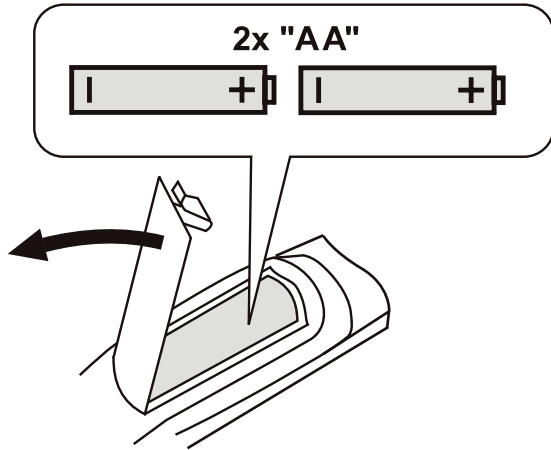
Item	Description
15	<b>PLAY/ENTER</b> button. Press to begin disc playback, or in menu mode to confirm your selections.
16	<b>Cursor buttons</b> : Press to navigate in on screen menus.
17	<b>ANGLE</b> button. Press to change the DVD viewing angle.
18	<b>AUDIO</b> button. Press to change the DVD audio language/options.
19	<b>PROGRAM</b> button. Press to enter DVD program mode. In CD mode, pressing this button switches between "Folder" and "Filelist". Folder means play the tracks in current folder, and Filelist means play all tracks on the disk.
20	<b>OPEN/CLOSE</b> button. Press to open or close the disc tray.
21	<b>TV/DVD</b> button. Press to switch between the current inputs and DVD.
22	<b>PICTURE</b> button. Press to cycle through the picture modes (Personal, Standard, Mild, and Fresh).
23	<b>SLEEP</b> button. Press to set the sleep timer.
24	<b>CCD</b> button. Press to select Close Captions modes while in TV mode.
25	<b>10+</b> button. If the track or channel number is over 10, press this button once, then a button 1-9.
26	<b>MUTE</b> button. Press to mute the sound.
27	<b>DISPLAY</b> button. Press to show TV channel information.
28	<b>SUBTITLE</b> button. Press repeatedly until the subtitle language you want is selected.
29	<b>SETUP</b> button. Press to open the DVD Setup menu.
30	<b>NEXT</b> button. Press to go to the next chapter or track. Press again to skip forward by chapter or track.
31	<b>PREV</b> button. Press to go to the previous chapter or track. Press again to skip back by chapter or track.
32	<b>STOP</b> button. Press to stop DVD and CD playback.
33	<b>PAUSE/STEP</b> button. Press to pause DVD playback. Press again to step through a DVD one frame at a time.
34	<b>SLOW</b> button. Press to decrease the DVD playback speed.
35	<b>SEARCH</b> button. Press to go to DVD search mode.
36	<b>ZOOM</b> button. Press to zoom the DVD display image in on the picture.
37	<b>A-B</b> button. Press to repeat a selected portion of a DVD.
38	<b>REPEAT</b> button. Press to go to DVD repeat mode.

## Setting up your TV

### Installing the remote control batteries

#### To install the batteries:

- 1 Open the battery compartment on the back of the remote control.

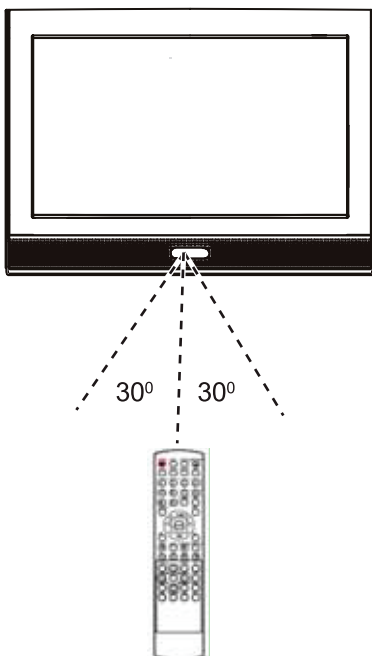


- 2 Insert the two AA batteries (provided) into the battery compartment. Make sure that the (+) and (-) symbols on the batteries match the diagram inside the compartment.

### Using the remote control

#### To use the remote control:

- Point it directly at the TV, within a 30° angle of the IR sensor on the front of the TV, and within 20 feet.



#### Note

Objects between the remote control and the sensor may weaken the remote control's IR signal. Range can be diminished by direct sunlight shining on the TV's IR sensor.

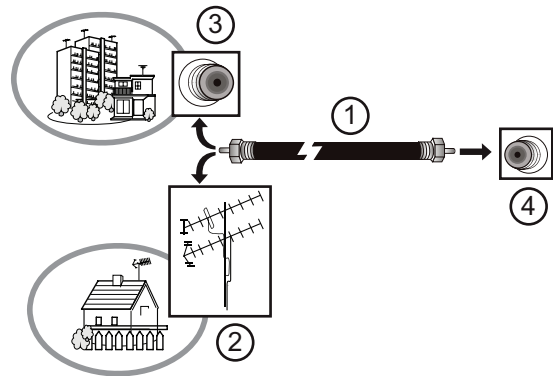
#### Cautions

Do not expose the remote control to liquids, direct sunlight, or shock.

The remote control may not work correctly if the TV's IR sensor is under direct sunlight or strong lighting. In these cases, change the angle of the lighting or the TV screen, or operate the remote control closer to the IR sensor.

### Connecting to video sources

#### Connecting to an antenna or cable/satellite receiver



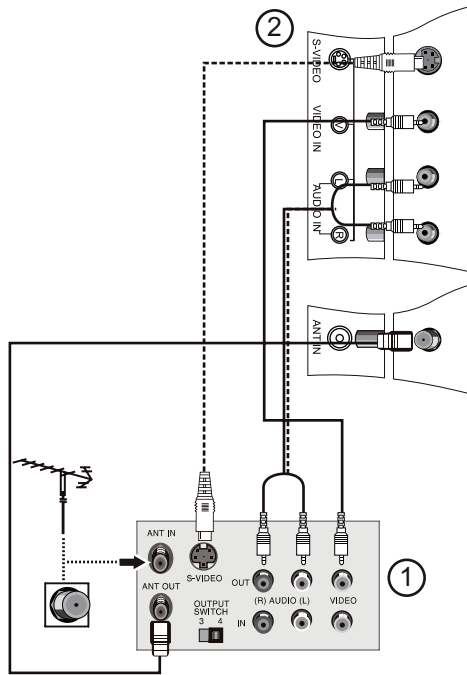
#### To connect an external antenna or cable/satellite receiver:

- 1 Connect the antenna cable (1) from an antenna (2) or cable/satellite receiver (3) to the antenna input jack (4) on the TV.
- 2 Press the **INPUT** button to set the TV's signal input to **TV**.

#### Notes

- To improve picture quality in a poor signal area, you can purchase and install a signal amplifier.
- To split the signal from an antenna, you will need a 2-way signal splitter.

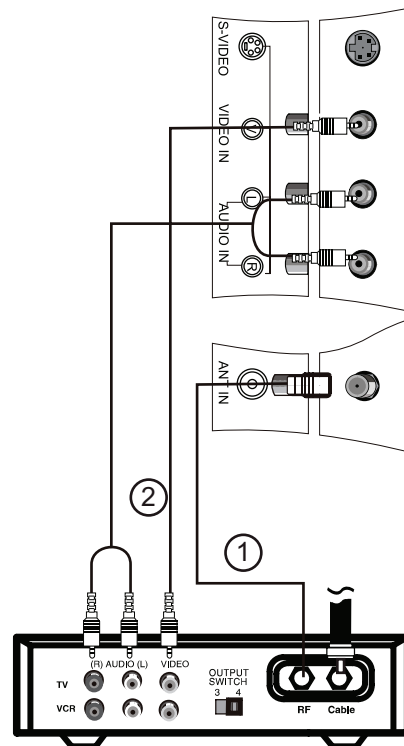
### Connecting to a VCR or other AV source



#### To connect your TV to a VCR or other AV source:

- 1 Turn off the TV and the VCR (or other source).
- 2 Connect an RCA video cable to the VCR (1), then to the VIDEO IN jack on the back of the TV (2).  
- OR -  
Connect an S-Video cable to the VCR, then to the S-VIDEO jack on the back of the TV.
- 3 Connect RCA audio cables to the VCR's audio output jacks, then to the AUDIO L and R jacks on the back of the TV.
- 4 Turn on the TV and the VCR.
- 5 Set the VCR output switch to channel 3 or 4, then tune your TV to the same channel.
- 6 Press the **INPUT** button to set the TV's signal input to **AV** or **S-VIDEO**.

### Connecting to a cable box



#### To connect your TV to a cable box with an RF cable (1):

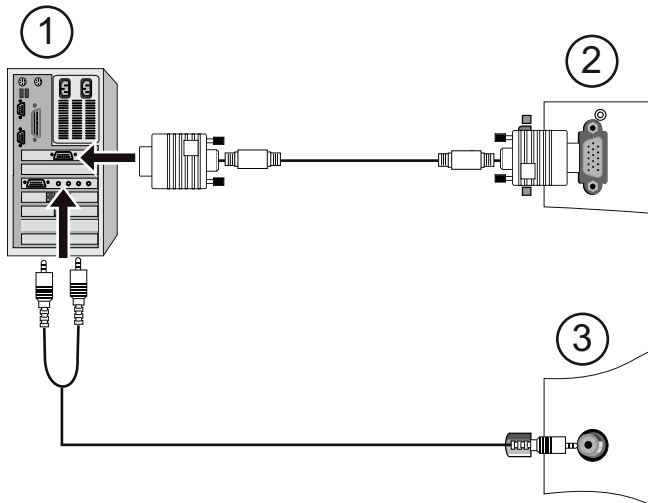
- 1 Turn off the TV and the cable box.
- 2 Connect a 75 ohm RF cable from the cable box to the ANT IN jack on the back of your TV.
- 3 Set the cable box output switch to channel 3 or 4, then tune your TV to the same channel.
- 4 Turn on the TV and the cable box.
- 5 Change channels at the cable box or with the cable box remote.

#### To connect your TV to a cable box with AV cables (2):

- 1 Turn off the TV and the cable box.
- 2 Connect RCA video and audio cables from the cable box to the VIDEO and AUDIO IN jacks on the back of your TV.
  - Yellow - Video
  - White - Audio left
  - Red - Audio right
- 3 Turn on the TV and the cable box.
- 4 Press the **INPUT** button to set the TV's signal input to **AV** or **S-VIDEO**.
- 5 Change channels at the cable box or with the cable box remote.



## Connecting to a computer



### To connect a computer video source to the VGA jacks:

- 1 Connect a VGA cable from the computer to the **VGA IN** port on the TV.
- 2 Connect a male-to-male audio cable from the computer to the **PC AUDIO IN** port on the TV.
- 3 Turn on the TV, then turn on the PC.
- 4 Press the **INPUT** button to set the TV's signal input to **PC**.

See "ADJUST" on page 16 to adjust the picture.

## Using your TV

### Turning the power on and off

#### To turn the power on and off:

- 1 Press the **POWER** button on the front panel of the TV or on the remote control. The **POWER** indicator turns green.
- 2 To turn off the TV, press the **POWER** button again. The screen image disappears and the **POWER** indicator turns red.

#### Note

A small amount of electric power is consumed even when the power is turned off.

### Changing the volume

You can change the volume using the TV's front panel or the remote control.

#### To change the volume:

- 1 Press **VOL+** or **VOL-**.
- 2 Press **MUTE** on the remote control to mute the sound, and press it again (or the **VOL+** or **VOL-**) to restore the sound.

## Changing the video source

Your TV supports multiple video sources.

### To select the video source:

- Press the **INPUT** button to select from the following input modes:
  - **TV**
  - **AV**
  - **S-VIDEO**
  - **PC**
  - **COMPONENT**
  - **DVD**

The name of the input source appears on the screen when it is selected.

## Changing channels

### To change channels:

- Press **CH+** or **CH-**.

### To enter a channel number directly:

- Press the number buttons on the remote control.

### To switch between two channels:

- 1 Press **RECALL** to change from the currently tuned channel to the previous channel.
- 2 Press **RECALL** again to change back to the originally tuned channel.

### To scan through memorized channels:

- 1 Press **SCAN** on the remote control. The picture pauses for about two seconds on each memorized channel.
- 2 To stop the Scan function, press **SCAN** again.

## Changing the picture mode

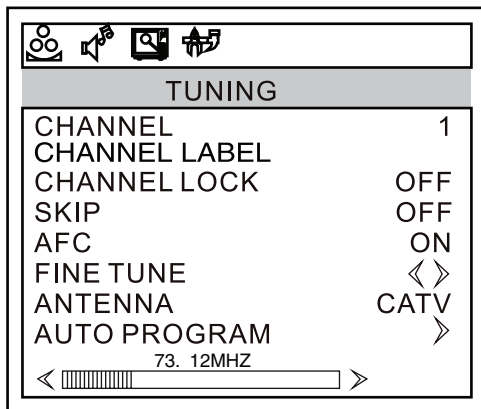
### To change the picture mode:

- Press **PICTURE** on the remote control to cycle through the following modes:
  - **PERSONAL**
  - **STANDARD**
  - **MILD**
  - **FRESH**

## Programming channels into memory

**To automatically program channels into memory:**

- 1 Press **MENU** on the TV or remote control, then press **VOL+/VOL-** to display the *TUNING* menu.



- 2 Press **CH+/CH-** to enter the *TUNING* menu and to highlight **AUTO PROGRAM**, then press **VOL+** to enter the *AUTO PROGRAM* submenu.



- 3 Press **VOL+** highlight **YES**, then press **MENU** to confirm your selection.
- 4 The TV searches and memorizes all channels on the selected antenna input available in your area.

**Note**

If your TV is connected to cable, select **CATV** in the *ANTENNA* submenu.

- 5 To stop the auto search, press **MENU**.

## Displaying status information

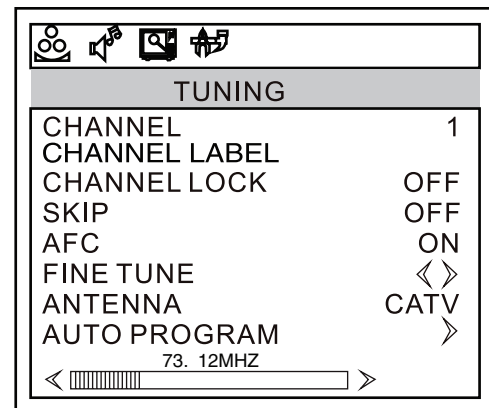
**To display status information:**

- Press the **DISPLAY** button. Your TV displays status information, such as the channel number or signal source.

## Adding a channel label

**To add a label to a channel:**

- 1 Press **MENU** on the TV or remote control, then press **VOL+/VOL-** to display the *TUNING* menu.



- 2 Press **CH+/CH-** to enter the *TUNING* menu and to highlight **CHANNEL LABEL**, then press **VOL+** to enter the menu.
- 3 Press **VOL+/VOL-** to select the position and **CH+/CH-** to select the letters or symbols to set.
- 4 Press **MENU** to confirm.

## Setting the sleep timer

The sleep timer lets you select the amount of time before your TV turns off automatically.

**To set the sleep timer:**

- Press the **SLEEP** button on the remote control repeatedly until the time duration you want is shown on the screen. Options include:
  - **SLEEP 240 MIN**
  - **SLEEP 180 MIN**
  - **SLEEP 120 MIN**
  - **SLEEP 90 MIN**
  - **SLEEP 60 MIN**
  - **SLEEP 45 MIN**
  - **SLEEP 30 MIN**
  - **SLEEP 15 MIN**
  - **SLEEP 10 MIN**
  - **SLEEP 5 MIN**
  - **SLEEP 0 MIN**

## Viewing closed captions

**To view closed captions:**

- Press the **CCD** button to toggle the closed captions on or off.

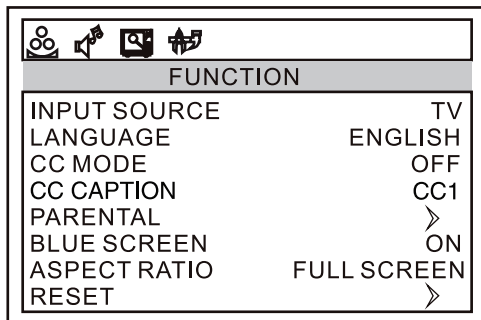
## Setting parental controls

Your TV has a V-chip that lets you control the type of programs your children can watch. Parental controls include two ratings: MPAA (based on age) and TV Parental Guidelines (based on content and age). A TV program may have an MPAA or TV Parental Guidelines rating, so you should set controls for both ratings.

Before you can select ratings, you need to set up a parental controls password.

### To set up a password:

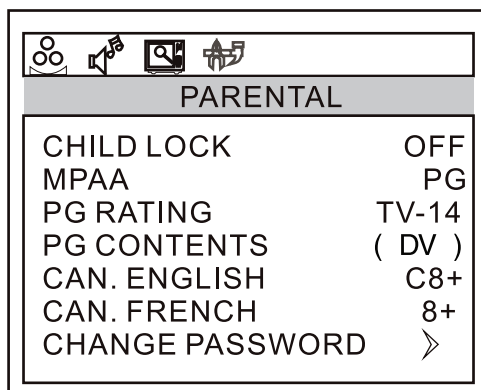
- 1 Press **MENU** on the TV or remote control, then press **VOL+/VOL-** to display the *FUNCTION* menu.



- 2 Press **CH+/CH-** to enter the *FUNCTION* menu and to highlight **PARENTAL**, then press **VOL+** to enter the *PARENTAL* submenu. The *PASSWORD* box opens.



- 3 Press the number buttons to enter **0000**. The *PARENTAL* menu opens.



- 4 Press **CH+/CH-** to select *CHANGE PASSWORD*, then press **VOL+** to enter the *CHANGE PASSWORD* submenu.
- 5 Press the number buttons to enter a password.
- 6 Press the number buttons to enter the new password again, to confirm.

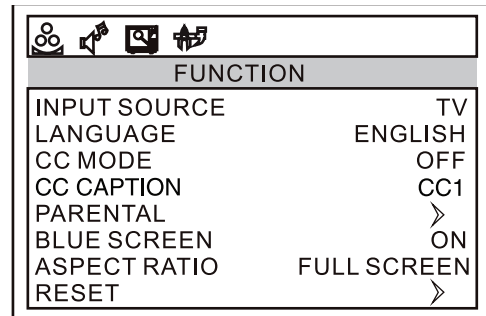
**Caution**  
Write down your password and save it for future use.

**Note**  
If you forget your password, enter 9443 for the old password, then enter a new password. This password always remains valid for resetting your password.

### Setting the Parental Control level

#### To set the Parental Control level:

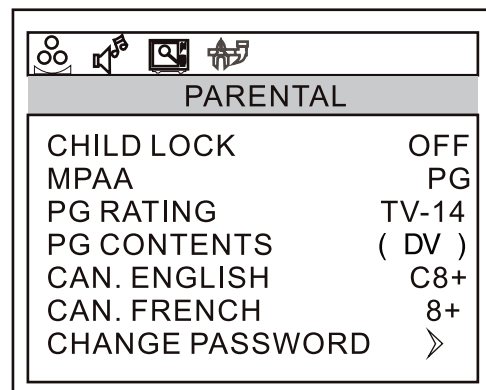
- 1 Press **MENU** on the TV or remote control, then press **VOL+/VOL-** to display the *FUNCTION* menu.



- 2 Press **CH+/CH-** to enter the *FUNCTION* menu and to highlight **PARENTAL**, then press **VOL+** to enter the *PARENTAL* submenu. The *PASSWORD* box opens.



- 3 Press the number buttons to enter your password. The *PARENTAL* menu opens.



- 4 Press **CH+/CH-** to select the option you want to change, then press **VOL+/VOL-** to change the option.
- 5 Press **MENU** or **EXIT** button to close the menu.

### American MPAA ratings

Rating	Description
NONE or NR	Not rated.
G	General audiences.
PG	Parental guidance suggested. Some material may not be suitable for children.
PG 13	Parental guidance strongly suggested. Some material may not be suitable for children under 13 years of age.
R	Restricted. Not suitable for children under 17 years of age unless accompanied by a parent or guardian.
NC 17	Not suitable for children under 17 years of age.
X	Adults only.

Rating	Description
OFF	No controls

### Canadian MPAA Ratings

Rating	Description
E	Exempt - includes news, sports, documentaries, talk shows.
C*	Children (English)
G**	Children (French)
8+**	Children 8 years and above (French)
C8+*	Children 8 years and above (English)
G*	General audience (English)
PG	Parental guidance suggested.
13+**	13 years old and above (French)
14+*	14 years old and above (English)
16+**	16 years old and above (French)
18+	Adult programming
OFF	No controls

\* Can. English only

\*\* Can. French only

### TV Parental Guidelines ratings

Rating	Description
NONE or NR	Not rated.
TV-Y	All children.
TV-Y7	Children over seven years of age.
TV-G	General audiences.
TV-PG	Parental guidance suggested.
TV-14	Parents strongly cautioned.
TV-MA	Mature audiences only.

Some of the age-based TV Parental Guidelines ratings also have PG Content-based ratings.

Rating
FANTASY VIOLENCE.
DIALOGUE
LANGUAGE.
SEX
VIOLENCE.

## Using the DVD player

### Playing a DVD

#### To play a DVD:

- 1 Press **POWER** to turn on the TV.
- 2 Press **TV/DVD** to select **DVD**.
- 3 Press **OPEN/CLOSE** to open the disc tray.
- 4 Place the DVD in the disc tray, then press **OPEN/CLOSE** to close the disc tray. The DVD player reads the DVD and displays the opening menu.

- 5 Press the **▲** and **▼** buttons to highlight menu items, and press **▶|| PLAY/PAUSE** on the player, or **PLAY/ENTER** on the remote, to select.
- 6 During playback:
  - Press **▶|| PLAY/PAUSE** on the player, or **|| PAUSE/STEP** on the remote, to pause playback. Press **▶|| PLAY/PAUSE** on the player, or **PLAY/ENTER** on the remote, to resume playback.
  - Press **◀◀** to fast review, and press **▶▶** to fast forward. Each time you press the fast reverse or fast forward button, the speed changes.
  - Press **◀◀** to skip to the previous chapter, and press **▶▶** to skip to the next chapter. Press repeatedly to continue skipping back or forward.
  - To advance a movie frame by frame, press **|| PAUSE/STEP**, then press **|| PAUSE/STEP** again. Each time you press **|| PAUSE/STEP**, the movie advances by one frame.
  - To play in slow motion, press **SLOW**.
  - To search for a specific scene, press **SEARCH** to open the **SEARCH** menu, press the number buttons to indicate the scene you want.
  - To completely stop DVD playback, press **■ STOP** twice.
- 7 Press **▲ OPEN/CLOSE** to remove the DVD.

### Accessing the root DVD menu

#### To access the root DVD menu:

- 1 Press **DVD MENU** on the remote control.
- 2 Select and change the options you want.

#### Note

This function is not available on DVDs with multi-layer menus.

### Displaying DVD information

#### To display DVD information:

- Press **DISPLAY** on the remote control repeatedly to cycle through *Title Elapsed*, *Title Remain*, *Chapter Elapsed*, *Chapter Remain*, and *Display Off*.

### Selecting the subtitle language

If the DVD was created with subtitles, you can change the subtitle language.

#### To change the subtitle language:

- 1 Press **SUBTITLE** repeatedly until the desired language is selected.

- 2 To remove subtitles, press **SUBTITLE** until "Off" appears on the screen.

**Note**

Changing the subtitle language using this method only affects the DVD currently being played. When the DVD is removed or the player is turned off, the subtitle language reverts to the language setting specified through the DVD player's main menu.

**Tip**

The subtitle language can also be changed through the DVD player's main menu or the DVD's own subtitle settings.

### Using repeat play

You can repeat chapters, titles, or the entire DVD using Repeat Play.

#### To repeat a segment:

- 1 While the DVD is playing, press **REPEAT** to scroll through the options:
  - **Chapter** (repeats the current chapter)
  - **Title** (repeats the current title)
  - **All** (repeats all content on the DVD)
- 2 To stop repeat playback, do one of the following:
  - Press **REPEAT** until "ALL" disappears from the screen.
  - Press **STOP** twice.
  - Eject the DVD.

#### To repeat selected parts of a DVD:

- 1 Set a starting point by pressing **A-B**.
- 2 Set an end point by pressing **A-B** again.
- 3 The player plays from point A to point B.
- 4 To stop the repeat function, press **A-B** again.

### Changing the camera angle

Some DVDs contain multiple angles of a scene or sequence. If the DVD has only one angle, this feature does not work.

#### To change the camera angle:

- 1 Press **ANGLE** repeatedly until the desired camera angle is selected.
- 2 To resume normal playback, press **ANGLE** until the original angle is selected.

### Magnifying the image

You can enlarge or reduce the display image while the DVD is playing or while it is paused.

#### To magnify the image:

- 1 While a DVD is playing, press **ZOOM**. The image is magnified 2x. Continue pressing **ZOOM** to magnify the image 3x, then 4x.
  - While the image is magnified, press the **▲ ▼** and **◀ ▶** buttons to move the picture on the screen.
- 2 To return to normal picture size, press **ZOOM** until the picture returns to normal.

### Program play

To play chapters and titles in a custom order, you can create a playback program.

#### To program playback:

- 1 Press **PROGRAM** while a disc is playing to enter Program mode.
- 2 Press the number buttons on the remote control to enter the title and chapter you want to play first. The title and chapter number you entered appears in the box.
- 3 The cursor jumps to the next spot in the program list section. Make sure the box is highlighted and enter your next title and chapter.
- 4 Continue adding titles and chapters until your program is finished.
- 5 Highlight Start, then press **PLAY/ENTER** to start playing the program.
- 6 To stop the programmed playback, press **STOP** twice during program play.

#### Changing the audio options

If the DVD was created with multiple language tracks (recorded in different languages), or multiple sound options, you can temporarily change the DVD player's Audio settings.

#### To change the audio options:

- 1 Press **AUDIO**. The OSD shows the current audio setting.
- 2 If multiple audio options are available, press **AUDIO** again to select the next audio track.

**Note**

This feature only works if the DVD was created with multiple audio tracks. When you choose an audio language, you only temporarily override the audio language setting in the DVD player's main menu.

Allow a three second interval between selections.

**Tip**

The audio language can also be changed through the DVD player's main menu or the DVD's own audio settings.

### Playing a CD

#### To play a CD:

- 1 Press **POWER** to turn on the player.
- 2 Press **TV/DVD** to select DVD.
- 3 Press **▲ OPEN/CLOSE** to open the disc tray.
- 4 Place the CD in the disc tray, then press **▲ OPEN/CLOSE** to close the disc tray. The DVD player begins playing the CD.
- 5 During playback:
  - Press **▶|| PLAY/PAUSE** on the player, or **|| PAUSE/STEP** on the remote, to pause playback. Press **▶|| PLAY/PAUSE** on the player, or **PLAY/ENTER** on the remote, to resume playback.
  - Press **◀◀** to fast review, and press **▶▶** to fast forward.
  - Press **◀◀** to skip to the previous track, and press **▶▶** to skip to the next track. Press repeatedly to continue skipping back or forward.
  - To completely stop CD playback, press **STOP**.
- 6 Press **▲ OPEN/CLOSE** to remove the CD.

**Using repeat play**

You can repeat tracks or the entire CD using repeat play.

**To use repeat play:**

- 1 While the CD is playing, press **REPEAT** to scroll through the options:
  - Single - (play current track)
  - Repeat One - (repeat current track)
  - Repeat Folder - (repeat current folder)
  - Folder - (play current folder)
- 2 To stop repeat playback, do one of the following:
  - Press **REPEAT** until "Folder" disappears from the screen.
  - Press **STOP** twice.
  - Eject the CD.

**Changing the audio mode**

**To change the audio output of a multi-channel CD:**

- During CD playback, press **AUDIO**. The setting changes each time you press the button:
  - Mono Left
  - Mono Right
  - Mix-Mono
  - Stereo

**Selecting a track for playback**

**To select a specific track for playback:**

- After you load a CD into the player, and after the player finishes reading the disc, press the number buttons to enter the track number, then press **PLAY/ENTER** to play the track.

**Tip**  
If the track number is under 10, press buttons **1-9** to select it. If the track number is 10, press **10+** once, then button **0** to select it. If the track number is over 10, press **10+** once, then a button **1-9**.

**Playing a JPEG disc**

**To play a JPEG disc:**

- 1 Press **POWER** to turn on the player.
- 2 Press **TV/DVD** to select DVD.
- 3 Press **OPEN/CLOSE** to open the disc tray.
- 4 Place the disc in the disc tray, then press **OPEN/CLOSE** to close the disc tray. The disc navigation menu opens.
- 5 Press **▲ ▼** to select the file you want, then press **PLAY/ENTER** to confirm. The slideshow begins.
- 6 During playback:
  - Press **PAUSE/STEP** on the remote, to stop the picture and press **PLAY/ENTER** resume normal play.
  - Press **PREV** to skip to the previous picture, and press **NEXT** to skip to the next picture. Press repeatedly to continue skipping back or forward.

- To completely stop disc playback, press **STOP** twice.
- 7 Press **OPEN/CLOSE** to remove the disc.

**Customizing TV settings**

**Opening and navigating the on-screen menus**

**Using the on-screen menu**

Your TV has an on-screen menu that lets you adjust TV settings, such as video and audio settings.

**To use the on-screen menu:**

- 1 Press **MENU** on the TV or remote control, then press **VOL+/VOL-** to display the menu you want.
- 2 Press **CH+/CH-** to enter the menu and to highlight option you want, then press **VOL+/VOL-** to change the setting.
- 3 If a submenu is available, press **VOL+** to enter the submenu, the press **VOL+/VOL-** to change the setting.
- 4 Press **MENU** or **EXIT** to close the on-screen menu.

**On-screen menus**

On-screen menu	Options
<b>TUNING</b>	<p><b>CHANNEL</b>—The current channel selected. Press <b>VOL+/VOL-</b> to change the setting.</p> <p><b>CHANNEL LABEL</b>—Lets you add a label to a channel.</p> <p><b>CHANNEL LOCK</b>—Lets you lock a channel.</p> <p><b>SKIP</b>—Setting this to ON causes the current channel (see CHANNEL above) to be skipped on the channel list. You can select a skipped channel by inputting the channel number using the number keys.</p> <p><b>AFC</b>—Auto frequency control. Select <b>ON</b> to automatically improve image quality.</p> <p><b>FINE TUNE</b>—Use to manually adjust tuning to improve image and sound quality. Do not use unless reception is poor.</p> <p><b>ANTENNA</b>—Selects the TV antenna source (<b>AIR</b> or <b>CATV</b>).</p> <p><b>AUTO PROGRAM</b>—Automatically sets up a list of the channels available in your area for the antenna type selected. For more information, see "Programming channels into memory" on page 11.</p>

On-screen menu	Options
<b>PICTURE</b> (Options may vary in different modes.)	<p><b>CONTRAST</b>—Increases the picture level to adjust the white areas of the picture. Decreases the picture level to adjust the black areas of the picture. (0 ~ 100)</p> <p><b>BRIGHTNESS</b>—Increases the brightness to add more light to dark areas of the picture. Decreases the brightness to add more dark to light areas of the picture. (0 ~ 100)</p> <p><b>SHARPNESS</b>—Increases the sharpness for a cleaner and clearer image. Decreases the sharpness for a smoother picture. (0-4)</p> <p><b>COLOR TEMP</b>—Adjusts the overall color of the picture. (NEUTRAL, WARM, COOL)</p> <p><b>COLOR</b>—Adjusts the color saturation of the picture.</p> <p><b>H POSITION</b>—Adjusts the horizontal position of the picture. Component mode only.</p> <p><b>V POSITION</b>—Adjusts the vertical position of the picture. Component mode only.</p> <p><b>NOISE REDUCTION</b>—Adjusts the quality of the picture (<b>OFF</b>, <b>LOW</b>, <b>MID</b>, or <b>HIGH</b>). TV/AV/ S-VIDEO/DVD modes only.</p> <p><b>HUE</b>—Adjusts the tone of the picture.</p>
<b>SOUND</b>	<p><b>VOLUME</b>—Adjusts the volume of the TV.</p> <p><b>BALANCE</b>—Adjusts the right and left speaker volumes.</p> <p><b>BASS</b>—Adjusts the low sounds (bass). Available in Personal mode only.</p> <p><b>TREBLE</b>—Adjusts the high sounds (treble). Available in Personal mode only.</p> <p><b>AUDIO MODE</b>—Selects an audio equalization mode for the TV sound (<b>PERSONAL</b>, <b>VOICE</b>, <b>MUSIC</b>, or <b>THEATRE</b>)</p> <p><b>AVL</b>—Automatic Volume Limit Control. Reduces the effect of high volume by limiting volume peaks across all channels.</p>
<b>FUNCTION</b>	<p><b>INPUT SOURCE</b>—Shows the currently selected TV signal source (TV, AV, S-VIDEO, PC, COMPONENT, or DVD).</p> <p><b>LANGUAGE</b>—Selects the language for the on-screen display (OSD).</p> <p><b>CC MODE</b>—Selects the Closed Captioning mode. Options include:</p> <ul style="list-style-type: none"> <li>• <b>OFF</b>—Turns off Closed Captioning</li> <li>• <b>ON WHEN MUTE</b>—Turns on Closed Captioning when the sound is muted.</li> <li>• <b>ON</b>—Turns on Closed Captioning.</li> </ul> <p><b>CC CAPTION</b>—Selects the Closed Caption type for viewing.</p> <ul style="list-style-type: none"> <li>• <b>CC1</b>—Turns on Closed Captioning in the primary language of your area</li> <li>• <b>CC2-CC4</b>—Turns on other modes of video-related broadcast information in a secondary language.</li> <li>• <b>TT1</b>—Turns on the program guide provided by broadcasters.</li> <li>• <b>TT2-TT4</b>—Turns on other types of information provided by broadcasters.</li> </ul> <p><b>PARENTAL</b>—Accesses V-chip controls. For more information, see “Setting parental controls” on page 11.</p> <p><b>BLUE SCREEN</b>—Sets the option to turn on the blue screen if there is no signal for three seconds.</p> <p><b>ASPECT RATIO</b>—Selects the aspect ratio of the picture. Choices include:</p> <ul style="list-style-type: none"> <li>• <b>FULL SCREEN</b></li> <li>• <b>4:3</b></li> <li>• <b>16:9</b></li> <li>• <b>ZOOM</b></li> </ul> <p><b>RESET</b>—Restores the settings to factory default.</p>

On-screen menu	Options
<b>ADJUST</b> (Only available in PC mode)	<p><b>AUTO CONFIG</b>—Automatically adjusts the picture frequency and phase parameters for use with a PC.</p> <p><b>PHASE</b>—Adjusts the phase of the PC image to remove horizontal distortion and sharpen characters.</p> <p><b>CLOCK</b>—Adjusts the TFT-LCD to match the PC input source clock frequency.</p> <p><b>H POSITION</b>—Adjusts the horizontal position of the picture.</p> <p><b>V POSITION</b>—Adjusts the vertical position of the picture.</p>

## Customizing DVD player settings

### Using the setup menu

Use your remote control to navigate the setup menu, where you can configure DVD player settings.

#### To open and navigate the Setup menu:

- 1 Press **SETUP** on the remote control. The *General Setup Page* opens.

..General Setup Page..

Tv Display	4:3 LB	4:3/Ps
Angle Mark	On	4:3/Lb
Osd Lang	ENG	16:9
Caption	On	
Screen Saver	Off	
Hdcd	Off	
Last Memory	On	

- 2 If no disc is playing, press **SETUP** again. The *Preference Page* opens.

..Preference Page..

Parental	1 Kid Saf
Password	2 G
Default	3 Pg
	4 Pg 13
	5 Pgr
	6 R
	7 Nc17
	8 Adult

- 3 Press **▲ ▼** to highlight a selection or submenu, then press **▶** to show the options available.
- 4 Press **▲ ▼** to select the option/setting you want, then press **PLAY/ENTER** to confirm.
- 5 To exit the Setup menu, press **SETUP**.

## Changing DVD settings

On-screen menu	Options
<b>GENERAL SETUP</b>	<p><b>TV DISPLAY</b>—Sets the aspect ratio of the TV display.</p> <ul style="list-style-type: none"> <li>• <b>4:3/PS</b> (Pan and Scan - may be used with external TVs) Widescreen images are shown on the screen, but with some parts automatically cut off the ends.</li> <li>• <b>4:3/LB</b> (Letter Box - use with internal TV) Widescreen images are shown on the screen with black bars on the top and bottom of the screen.</li> <li>• <b>16:9</b> (may be used with external TVs) Widescreen images fill the entire screen.</li> </ul> <p><b>ANGLE MARK</b>—Lets you turn the Angle option On or Off. If you set this to On, you can use the <b>ANGLE</b> button on the remote to select an alternate viewing angle on the DVD.</p> <p><b>OSD Lang.</b>—Lets you select the language for the On Screen Display (OSD).</p> <p><b>CAPTION</b>—Lets you turn the caption On or Off.</p> <p><b>SCREEN SAVER</b>—Lets you turn on the screen saver, which displays when the DVD player is idle for more than three minutes.</p> <p><b>Hdcd</b>—Lets you set Hdcd to "OFF", "1X", "2X" to switch the CD play mode between "Normal CD", "HDCD with 44.1K", "HDCD with 88.2K". You can play normal CDs when "HDCD" is set to off. You can play 44.1K CDs when HDCD is set to 1X, and 88.2K CDs when HDCD is set to 2X to enhance the audio quality.</p> <p><b>Last Memory</b>—Lets you turn the last memory option On or Off. When set to On, the DVD player remembers the chapter that you were viewing when you turn the DVD player off and starts the DVD at that chapter when you turn the DVD player back on.</p>
<b>PREFERENCE</b> (only available when no disc is in the player)	<p><b>TV Type</b>—Lets you select the TV output. Choices include:</p> <ul style="list-style-type: none"> <li>• <b>NTSC</b> (default)—Standard for America.</li> <li>• <b>AUTO</b>—Automatically changes based on the DVD in the player.</li> <li>• <b>PAL</b>—Standard for Europe.</li> </ul> <p><b>PARENTAL</b>—Lets you set Parental Controls for watching DVDs. Initial password is <b>1234</b></p> <p>Options include:</p> <ul style="list-style-type: none"> <li>• <b>Off</b></li> <li>• <b>1 Kid Safe</b></li> <li>• <b>2 G</b></li> <li>• <b>3 Pg</b></li> <li>• <b>4 Pg 13</b></li> <li>• <b>5 Pgr</b></li> <li>• <b>6 R</b></li> <li>• <b>7 Nc 17</b></li> <li>• <b>8 Adult</b></li> </ul> <p><b>PASSWORD CHANGE</b>—Lets you change the password used to set or change Parental Controls. The initial password is <b>1234</b>. Use the number buttons to enter, then confirm the new password.</p> <p><b>Note:</b> If you forget your password, enter <b>1369</b>.</p> <p><b>DEFAULT</b>—Resets all settings (except Parental Controls and the password) to factory default. Press <b>ENTER</b> to confirm.</p>

## Troubleshooting

Please check the following items before asking for repair service:

Problem	Solution
No picture or sound.	<p>Check all cable connections.</p> <p>Make sure that the TV is plugged in and turned on.</p> <p>Make sure that electricity is available at the AC power outlet.</p>
Picture is OK, but no sound.	<p>Check the volume level and mute settings.</p> <p>Switch to another channel to determine if the station is the problem.</p>
No picture	<p>Make sure that the TV is working properly.</p> <p>Press the <b>INPUT</b> button to select TV input.</p> <p>Make sure the color system is set correctly.</p>
Sound is OK, but no color.	<p>Check the color control and adjust it.</p> <p>Check the program's color features, because it may be a black and white movie.</p>
The picture has overlapped images.	<p>Make sure that the antenna is installed correctly. If not, adjust the antenna toward the broadcasting station.</p>
Picture has "snow."	<p>Check the antenna and its connection. If there are problems, correct them. If all connections are tight, the problem may be with a faulty antenna or cable.</p> <p>Check whether car traffic or neon signs disturb the image.</p>
Stripes on picture.	<p>Check for interference from other electronic devices, such as radios and televisions, and keep magnetic or electronic devices away from the TV.</p>
Bad stereo or SAP sound.	<p>Long distance from the station or interfering radio waves can result in bad sound reception. If so, change the mode to Mono.</p>
Remote control does not work.	<p>Point the remote control at the TV's IR sensor.</p> <p>Change the batteries in the remote control.</p> <p>Remove any obstacles between the TV's IR sensor and the remote control.</p>
Image is not clear.	<p>Adjust the NOISE REDUCTION function.</p>
Image is not centered.	<p>Adjust the Horizontal or Vertical control.</p>
Bad sound quality	<p>Make sure that the audio output mode is set correctly.</p> <p>Make sure that the audio connection between the unit and amplifier (if used) is secure.</p>
Disc cannot be played	<p>Make sure the disc is inserted with the label facing forward.</p> <p>Clean the disc.</p> <p>Moisture has condensed in the player.</p> <p>Remove the disc and leave the player on for about an hour.</p>
The player doesn't operate normally	<p>Disconnect the power plug for ten seconds, then reconnect it.</p> <p>If the problem persists, contact Insignia or your dealer for help.</p>



## Maintaining

### Handling and cleaning the TV/DVD

#### Shipping the DVD/VCR

Please save the original shipping carton and packing materials. If you need to ship the TV/DVD, for maximum protection, re-pack the it as it was originally packed at the factory.

#### Keeping the exterior surfaces clean

- Do not use volatile liquids such as insecticide spray near the TV/DVD.
- Do not leave rubber or plastic products in contact with the TV/DVD for a long period of time because they can leave marks on the surface.

#### Cleaning the case

- To clean the player, use a soft, dry cloth. If the surfaces are extremely dirty, use a soft cloth lightly moistened with a mild detergent solution.
- Do not use strong solvents such as alcohol, benzene, or thinner, as these might damage the surface of the player.

#### Maintaining the TV/DVD

This TV/DVD is a high-tech, precision device. If the optical pick-up lens and disc drive parts are dirty or worn, the picture quality could be diminished.

Depending on the operating environment, regular inspection and maintenance are recommended after every 1,000 hours of use.

For details, please contact your nearest authorized service center.

### Care and handling of discs

#### Handling discs

Do not touch the playback side of the disc. Hold the disc by the edges so that fingerprints do not get on the surface. Never stick paper or tape on the disc.

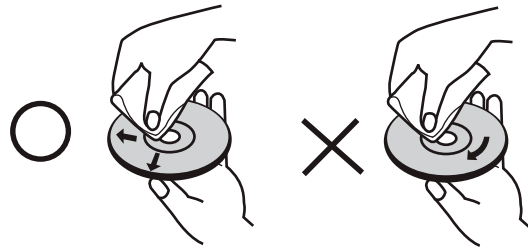


#### Storing discs

After playing, store the disc in its case. Do not expose the disc to direct sunlight or sources of heat and never leave it in a parked car exposed to direct sunlight.

#### Cleaning discs

Fingerprints and dust on the disc can cause poor picture quality and sound distortion. Before playing, clean the disc with a clean cloth. Wipe the disc from the center out.



Do not use strong solvents such as alcohol, benzene, thinner, commercially available cleaners, or anti-static spray intended for older vinyl records.

#### Note

Never operate this product immediately after moving it from a cold location to a warm location. Leave it for two or three hours without operating it. If you use this product in such a situation, it may damage tapes, discs, or internal parts.

## Specifications

<b>Model</b>	NS-CL19C
<b>Picture and sound system</b>	NTSC
<b>Audio output</b>	1.5 W + 1.5 W
<b>External input</b>	AV, PC, S-Video, PC audio, YPbPr, Antenna
<b>Power requirements</b>	~ 120 V 60 Hz
<b>Power consumption</b>	80 W
<b>Temperature</b>	Working: 41° F ~ 95° F (+5° C ~ +35° C) Storage: 5° F ~ 113° F (-15° C ~ +45° C)
<b>Accessories</b>	Remote control Batteries (two - AA) User Guide

#### Playable discs

The following discs, and only the following discs, can be played in the DVD player.

Discs	Label	Contents	Dimension
DVD		Audio + Video (moving picture)	12 cm
CD		Audio	12 cm
HDCD		Audio	12 cm
MPEG-4		Audio + Video (moving picture)	12 cm
JPEG		Video (picture)	12 cm
KODAK CD		Video (picture)	12 cm

Discs	Label	Contents	Dimension
CD-R	<b>CD•R</b>	Audio or Video (moving picture)	12 cm
CD-RW	<b>CD-RW</b>	Audio or Video (moving picture)	12 cm
CD+G	<b>CD+G</b>	Audio (picture)	12 cm

## Legal Notices

### Macrovision statement

This product incorporates copyright protection technology that is protected by method claims of certain U.S. patents and other intellectual property rights owned by Macrovision Corporation and other rights owners. Use of this copyright protection technology must be authorized by Macrovision Corporation, and is intended for home and other limited viewing uses only unless otherwise authorized by Macrovision Corporation. Reverse engineering or disassembly is prohibited.

### Copyright

© 2007 Insignia. Insignia and the Insignia logo are trademarks of Best Buy Enterprise Services, Inc. Other brands and product names are trademarks or registered trademarks of their respective holders. Specifications and features are subject to change without notice or obligation.

For service and support call (877) 467-4289.

## 1 Year Limited Warranty

Insignia Products ("Insignia") warrants to you, the original purchaser of this new 19" Combo DVD/LCD TV ("Product"), that the Product shall be free of defects in the original manufacture of the material or workmanship for a period of one (1) year from the date of your purchase of the Product ("Warranty Period"). This Product must be purchased from an authorized dealer of Insignia brand products and packaged with this warranty statement. This warranty does not cover refurbished Product. If you notify Insignia during the Warranty Period of a defect covered by this warranty that requires service, terms of this warranty apply.

### HOW LONG DOES THE COVERAGE LAST?

The Warranty Period lasts for 1 year (365 days) from the date you purchased the Product. The purchase date is printed on the receipt you received with the Product.

### WHAT DOES THIS WARRANTY COVER?

During the Warranty Period, if the original manufacture of the material or workmanship of the Product is determined to be defective by an authorized Insignia repair center or store personnel, Insignia will (at its sole option): (1) repair the Product with new or rebuilt parts; or (2) replace the Product at no charge with new or rebuilt comparable products or parts. Products and parts replaced under this warranty become the property of Insignia and are not returned to you. If service of Products or parts are required after the Warranty Period expires, you must pay all labor and parts charges. This warranty lasts as long as you own your Insignia Product during the Warranty Period. Warranty coverage terminates if you sell or otherwise transfer the Product.

### HOW TO OBTAIN WARRANTY SERVICE?

If you purchased the Product at a retail store location, take your original receipt and the Product to the store you purchased it from. Make sure that you place the Product in its original packaging or packaging that provides the same amount of protection as the original packaging. If you purchased the Product from an online web site, mail your original receipt and the Product to the address listed on the web site. Make sure that you put the Product in its original packaging or packaging that provides the same amount of protection as the original packaging.

To obtain in-home warranty service for a television with a screen 25 inches or larger, call 1-888-BESTBUY. Call agents will diagnose and correct the issue over the phone or will have an Insignia-approved repair person dispatched to your home.

### WHERE IS THE WARRANTY VALID?

This warranty is valid only to the original purchaser of the product in the United States and Canada.

### WHAT DOES THE WARRANTY NOT COVER?

This warranty does not cover:

- Customer instruction
- Installation
- Set up adjustments
- Cosmetic damage
- Damage due to acts of God, such as lightning strikes
- Accident
- Misuse
- Abuse
- Negligence
- Commercial use
- Modification of any part of the Product, including the antenna
- Plasma display panel damaged by static (non-moving) images applied for lengthy periods (burn-in).

This warranty also does not cover:

- Damage due to incorrect operation or maintenance
- Connection to an incorrect voltage supply
- Attempted repair by anyone other than a facility authorized by Insignia to service the Product
- Products sold as is or with all faults
- Consumables, such as fuses or batteries

- Products where the factory applied serial number has been altered or removed

REPAIR REPLACEMENT AS PROVIDED UNDER THIS WARRANTY IS YOUR EXCLUSIVE REMEDY. INSIGNIA SHALL NOT BE LIABLE FOR ANY INCIDENTAL OR CONSEQUENTIAL DAMAGES FOR THE BREACH OF ANY EXPRESS OR IMPLIED WARRANTY ON THIS PRODUCT, INCLUDING, BUT NOT LIMITED TO, LOST DATA, LOSS OF USE OF YOUR PRODUCT, LOST BUSINESS OR LOST PROFITS. INSIGNIA PRODUCTS MAKES NO OTHER EXPRESS WARRANTIES WITH RESPECT TO THE PRODUCT, ALL EXPRESS AND IMPLIED WARRANTIES FOR THE PRODUCT, INCLUDING, BUT NOT LIMITED TO, ANY IMPLIED WARRANTIES OF AND CONDITIONS OF MERCHANTABILITY AND FITNESS FOR A PARTICULAR PURPOSE, ARE LIMITED IN DURATION TO THE WARRANTY PERIOD SET FORTH ABOVE AND NO WARRANTIES, WHETHER EXPRESS OR IMPLIED, WILL APPLY AFTER THE WARRANTY PERIOD. SOME STATES, PROVINCES AND JURISDICTIONS DO NOT ALLOW LIMITATIONS ON HOW LONG AN IMPLIED WARRANTY LASTS, SO THE ABOVE LIMITATION MAY NOT APPLY TO YOU. THIS WARRANTY GIVES YOU SPECIFIC LEGAL RIGHTS, AND YOU MAY ALSO HAVE OTHER RIGHTS, WHICH VARY FROM STATE TO STATE OR PROVINCE TO PROVINCE.

Contact Insignia:

For customer service please call 1-877-467-4289

[www.insignia-products.com](http://www.insignia-products.com)

INSIGNIA™ is a trademark of Best Buy Enterprise Services, Inc.

Distributed by Best Buy Purchasing, LLC.

Insignia, 7601 Penn Avenue South, Richfield, Minnesota, U.S.A.



**Distributed by Insignia™ Products**  
**Distribué par Insignia™ Products**  
**Distribuido por Insignia™ Products**

7601 Penn Avenue South,  
Richfield, MN USA 55423-3645  
[www.Insignia-Products.com](http://www.Insignia-Products.com)

©2007 Insignia™ Products

All rights reserved. All other products and brand names are trademarks of their respective owners.

©2007 produits Insignia™

Tous droits réservés. Tous les autres produits ou noms de marques sont des marques de commerce qui appartiennent à leurs propriétaires respectifs.

©2007 productos Insignia™

Todos los derechos reservados. Todos los demás productos y marcas son marcas comerciales de sus respectivos dueños.

Download from [www.Somanuals.com](http://www.Somanuals.com). All Manuals Search And Download.

## Free Manuals Download Website

<http://myh66.com>

<http://usermanuals.us>

<http://www.somanuals.com>

<http://www.4manuals.cc>

<http://www.manual-lib.com>

<http://www.404manual.com>

<http://www.luxmanual.com>

<http://aubethermostatmanual.com>

Golf course search by state

<http://golfingnear.com>

Email search by domain

<http://emailbydomain.com>

Auto manuals search

<http://auto.somanuals.com>

TV manuals search

<http://tv.somanuals.com>