

User Guide | Guide de l'utilisateur

**INSIGNIA™**

15" Combo DVD/LCD TV  
Ensemble DVD/ TV ACL de 15 po  
**NS-CL15C**



# Insignia NS-CL15C

## 15" Combo

### DVD/LCD TV

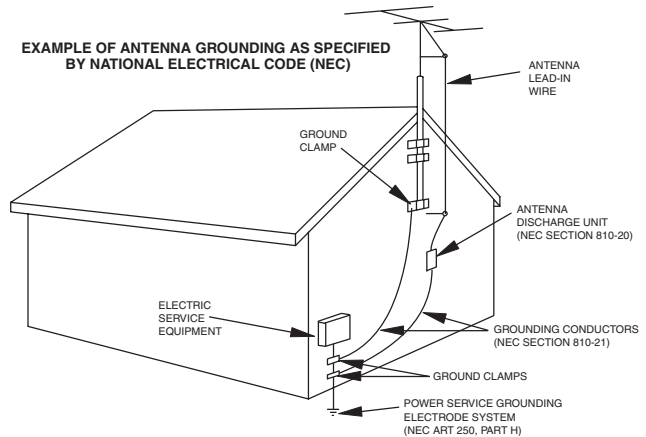
## Safety information

### Contents

Welcome.....	3
Safety information.....	3
Features.....	5
Accessories.....	5
Front view.....	5
Rear view - connectors.....	6
Remote control.....	7
Setting up your TV.....	8
Installing the remote control batteries.....	8
Using the remote control.....	8
Connecting to video sources.....	8
Using your TV.....	10
Turning the power on and off.....	10
Changing the volume.....	10
Changing the video source.....	10
Changing channels.....	10
Programming channels into memory.....	11
Using the DVD player.....	13
Playing a DVD.....	13
Playing a CD.....	14
Playing a JPEG disc.....	15
Customizing TV settings.....	15
Opening and navigating the on-screen menus.....	15
Using the on-screen menu.....	15
On-screen menus.....	15
Customizing DVD player settings.....	16
Using the setup menu.....	16
Changing DVD settings.....	17
Troubleshooting.....	17
Maintaining.....	18
Specifications.....	18
Legal Notices.....	19
1 Year Limited Warranty.....	21
<b>Français.....</b>	<b>23</b>

### Antenna connections

If an outside antenna is connected to the television equipment, make sure that the antenna system is grounded to provide protection against voltage surges and built-up static electricity charges. Section 810 of the National Electrical Code provides information on proper grounding of the mast and supporting structure, grounding of the lead-in wire to an antenna discharge unit, size of the grounding conductors, location of the antenna discharge unit, connection to grounding electrodes, and requirements for the grounding electrode.



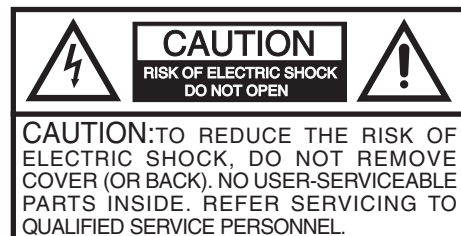
- For added protection during a lightning storm, or when the product is left unattended and unused for long periods of time, unplug it from the power outlet and disconnect the antenna. This will prevent damage to the equipment due to lightning and power line surges.
- An outside antenna system should not be located near overhead power lines or other electric light or power circuits, or where it can fall into such power lines or circuits. When installing an outside antenna system, extreme care should be taken to keep from touching such power lines or circuits, because contact with them can be fatal.

### Welcome

Congratulations on your purchase of a high-quality Insignia product. Your NS-CL15C represents the state of the art in television and DVD player design, and is designed for reliable and trouble-free performance.

### Risk of shock

To prevent fire or shock hazard, do not expose this appliance to rain or moisture.

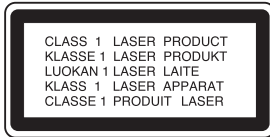




The lightning flash with arrowhead symbol, within an equilateral triangle is intended to alert the user to the presence of uninsulated dangerous voltage within the product's enclosure that may be of sufficient magnitude to constitute a risk of electric shock.



The exclamation point within an equilateral triangle is intended to alert the user to the presence of important operating and maintenance (servicing) instructions in the literature accompanying the appliance.



### Caution:

This product employs a laser system. To ensure correct use of this product, read this owner's manual carefully and retain it for future reference. Should the DVD/VCR require maintenance, contact qualified service personnel.

Making adjustments to controls or performing procedures other than those specified herein may result in hazardous radiation exposure.

To prevent direct exposure to laser beam, do not try to open the enclosure. **DO NOT STARE INTO BEAM.**

### Caution:

Your DVD/VCR should not be exposed to water (dripping or splashing) and no objects filled with liquids, such as vases, should be placed on the apparatus.

### Caution:

Class 2M visible and invisible laser radiation when open and interlocks defeated. Do not stare into the beam or look at it directly with an optical instrument.

#### Caution

Most recorder manufacturers recommend their recorders be placed upon a dedicated circuit. That is, a single outlet circuit which powers only that recorder and has no additional outlets or branch circuits.

Do not overload wall outlets. Overloaded wall outlets, loose or damaged wall outlets, overloaded extension cords, frayed power cords, or damaged or cracked wire insulation are dangerous. Any of these conditions could result in electric shock or fire. Periodically examine the cord of your recorder, and if its appearance indicates damage or deterioration, unplug it, discontinue use of the recorder, and have the cord replaced with an exact replacement part by an authorized servicer.

Protect the power cord from physical or mechanical abuse, such as being twisted, kinked, pinched, closed in a door, or walked upon. Pay particular attention to plugs, wall outlets, and the point where the cord exits the recorder.

To disconnect power from the power outlet, pull out the power cord plug. When installing the product, make sure that the plug is easily accessible.

## Important safeguards

This product has been designed and manufactured to ensure personal safety. Improper use can result in electric shock or fire hazard. The safeguards incorporated in this product will protect you if you observe the following procedures in installing, using and servicing. The internal components of this product cannot be serviced or repaired by the user.

- Read these instructions—Read and understand all operating instructions before operating the product.
- Keep these instructions—These safety and operating instructions must be kept in a safe place for future reference.
- Heed all warnings—All warnings on the product and in these instructions must be closely followed.
- Follow instructions—All operating instructions must be followed.
- Accessories—Do not use attachments or accessories not recommended by Insignia. Use of improper accessories can result in accidents.
- Power source—This product must operate on a power source specified on the device label. If you are not sure of the type of power supply used in your home, ask your dealer or local power company.
- AC power cord protection—The AC power cords must be routed correctly to prevent damage from people stepping on them or from objects resting on them. Check the cord connections at the power outlet and where the cord attaches to the product.
- Overloading—Do not overload AC power outlets or extension cords. Overloading can cause fire or electric shock.
- Intrusions and spills—Never insert an object into the product through vents or openings. High voltage flows in the product, and inserting an object can cause electric shock and damage electrical components. For the same reason, do not spill water or liquid on the product.
- Servicing—Do not attempt to service the product yourself. Removing covers can expose you to high voltage and other dangerous conditions. Ask a qualified service technician to perform servicing.
- Repair—If any of the following conditions occur, unplug the AC power cord from the AC power outlet, then request a qualified service technician to perform repairs.
  - When the AC power cord or plug is damaged.
  - When liquid has spilled on the product or when objects have fallen into the product.
  - When the product has been exposed to rain or water.
  - When the product does not operate normally as described in these operating instructions. Do not touch controls other than those described in these instructions. Incorrect adjustment of

controls not described in these instructions can cause damage, which often requires extensive adjustment work by a qualified technician.

- When the product has been dropped or damaged.
- When the product displays an abnormal condition. Any noticeable abnormality in the product indicates that the product needs servicing.
- Replacement parts—In case the product needs replacement parts, make sure that the service person uses replacement parts specified by the manufacturer, or those with the same characteristics and performance as the original parts. Use of unauthorized parts can result in fire, electric shock, and other danger.
- Safety checks—After completion of service or repair work, ask the service technician to perform safety checks to make sure that the product is in proper operating condition.
- Wall or ceiling mounting—When mounting the product on a wall or ceiling, make sure to install the product according to the method recommended by the manufacturer of the mounting or support device.
- Speakers—Unplug the AC power cord from the AC power outlet before installing the speakers.
- Cleaning—Unplug the AC power cord from the AC power outlet before cleaning the product. Clean only with a dry cloth. Do not use liquid or aerosol cleaners.
- Water and moisture—Do not use this product near wet or moist environments, such as near a bathtub, washbasin, sink, laundry tub, swimming pool, or wet basement. Do not expose this product to dripping or splashing. Do not place objects filled with liquid on this product.
- Shelves and carts—Do not place this product on an unstable cart, stand, tripod, or table. Unstable installation is likely to make the product fall, resulting in serious injuries as well as damage to the product. Use only the cart, stand, tripod, bracket, or table specified by Insignia, or sold with the product. When you use a cart, exercise caution when moving the cart and device to avoid injury from them tipping over.
- Ventilation—The vents and other openings in the cabinet are designed for ventilation. Do not cover or block them, because insufficient ventilation can overheat and shorten the product's life span. Do not place the product on a bed, sofa, rug, or other soft surfaces, because they can block ventilation openings. This product is not designed for built-in installation. Do not place the product in an enclosed place, such as a bookcase or rack, unless you provide proper ventilation and the manufacturer's instructions are closely followed.
- Fragile—The LCD panel used in this product is made of glass, and can easily be broken when the product is dropped or receives an impact. If the panel becomes broken, exercise extreme caution to prevent injury from the broken glass.

- Non-active pixels—The LCD panel contains almost 3 million thin-film transistors, which provide exceptionally sharp video quality. Occasionally, a few non-active pixels may appear on the screen as a fixed blue, green, or red point. These non-active pixels do not adversely affect the performance of your product, and are not considered defects.
- Heat sources—Do not install this product near any heat sources such as radiators, heat registers, stoves, amplifiers, or other devices that produce heat.

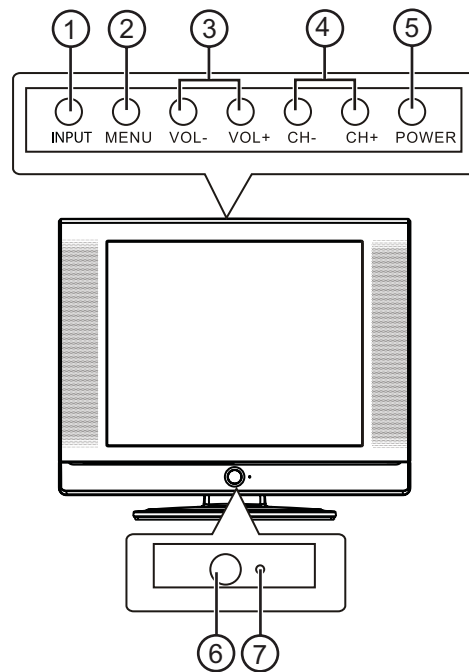
## Features

### Accessories

Make sure that the following accessories are provided in the packaging:

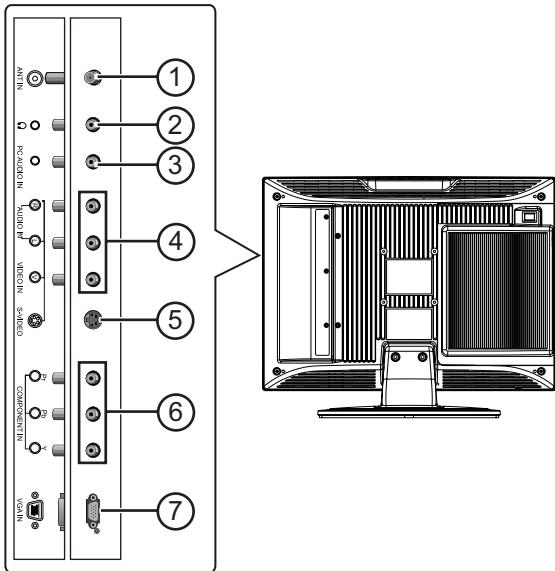
- Remote control
- Batteries (two - AA)
- User Guide

### Front view



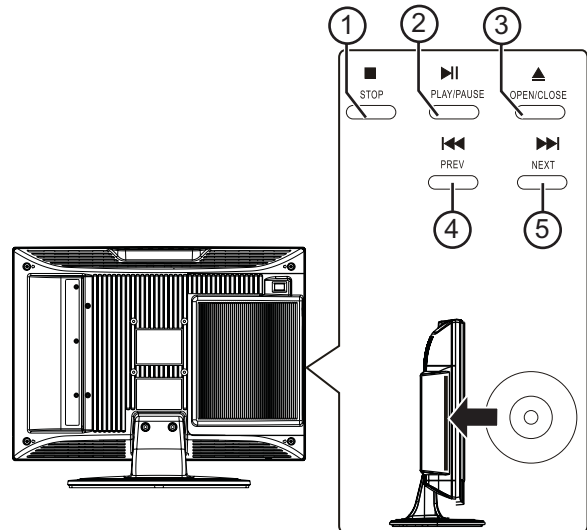
Item	Description
1	<b>INPUT</b> button. Press to select the AV signal input between TV, AV, S-VIDEO, PC, COMPONENT, and DVD.
2	<b>MENU</b> button. Press to open the main on screen menu.
3	<b>VOL -/+</b> buttons. Press to decrease or increase the volume.
4	<b>CH -/+</b> buttons. Press to change the channel.
5	<b>POWER</b> button. Press to turn on and turn off the TV.
6	Remote sensor. Receives signals from the remote control.
7	Power Indicator LED. Turns green when the TV is turned on and turns red when the TV is in standby mode.

## Rear view - connectors



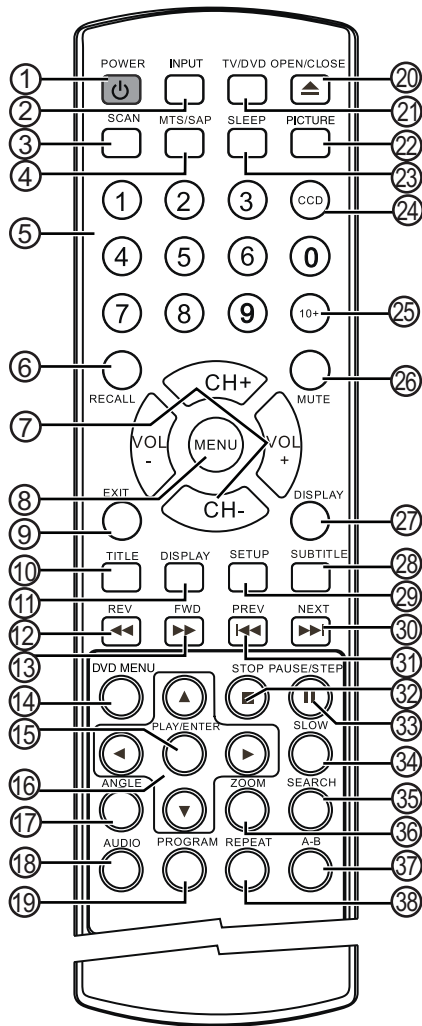
Item	Description
1	RF (75 ohm) antenna connector
2	Headphone jack
3	PC audio input jack
4	Composite video/audio input jacks
5	S-Video input jack
6	Component (YPbPr) input jacks
7	VGA video input (PC) jack

## Rear view - DVD player



Item	Description
1	■ <b>STOP</b> button. Press to stop disc playback.
2	▶   <b>PLAY/PAUSE</b> button. Press to begin playback, press again to pause playback. press again to resume playback.
3	▲ <b>OPEN/CLOSE</b> button. Press to open the disc tray. Press again to close the disc tray.
4	◀◀ <b>PREV</b> button. Press to go to the previous chapter or track. Press again to skip back by chapter or track.
5	▶▶ <b>NEXT</b> button. Press to go to the next chapter or track. Press again to skip forward by chapter or track.

## Remote control



Item	Description
1	<b>POWER</b> button. Press to turn the TV on and off.
2	<b>INPUT</b> button. Press to select the AV signal input between TV, AV, S-VIDEO, PC, COMPONENT, and DVD.
3	<b>SCAN</b> button. Press to scan through memorized TV channels.
4	<b>MTS/SAP</b> button. Press to select Stereo, Mono, or SAP mode.
5	Number buttons: Press to directly enter channel numbers, DVD chapter numbers, and CD track numbers.
6	<b>RECALL</b> button. While in TV mode, press to return to the previous channel.
7	<b>CH +/-</b> buttons. Press to skip to the previous or next channel while in TV mode. In other modes (except DVD mode), press to change to TV mode. <b>VOL +/-</b> buttons. Press to change the volume.
8	<b>MENU</b> button. Press to open the TV menu. Press again to exit.
9	<b>EXIT</b> button. Press to turn off the on screen display.
10	<b>TITLE</b> button. Press to display the current DVD title.
11	<b>DISPLAY</b> button. Press to show information about the DVD playing.
12	<b>REV</b> button. Press to fast reverse a DVD.
13	<b>FWD</b> button. Press to fast forward a DVD.
14	<b>DVD MENU</b> button. Press to open the DVD root menu.

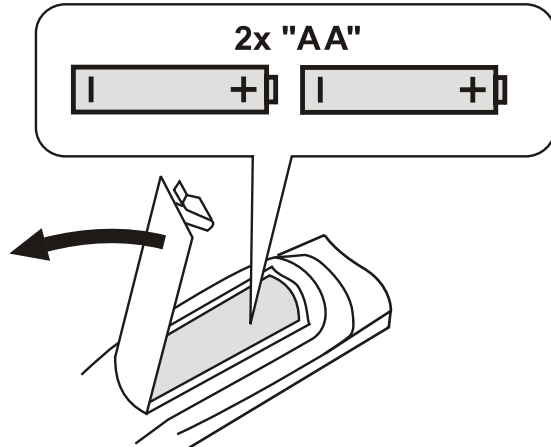
Item	Description
15	<b>PLAY/ENTER</b> button. Press to begin disc playback, or in menu mode to confirm your selections.
16	<b>Cursor buttons</b> : Press to navigate in on screen menus.
17	<b>ANGLE</b> button. Press to change the DVD viewing angle.
18	<b>AUDIO</b> button. Press to change the DVD audio language/options.
19	<b>PROGRAM</b> button. Press to enter DVD program mode. In CD mode, pressing this button switches between "Folder" and "Filelist". Folder means play the tracks in current folder, and Filelist means play all tracks on the disk.
20	<b>OPEN/CLOSE</b> button. Press to open or close the disc tray.
21	<b>TV/DVD</b> button. Press to switch between the current inputs and DVD.
22	<b>PICTURE</b> button. Press to cycle through the picture modes (Personal, Standard, Mild, and Fresh).
23	<b>SLEEP</b> button. Press to set the sleep timer.
24	<b>CCD</b> button. Press to select Close Captions modes while in TV mode.
25	<b>10+</b> button. If the track or channel number is over 10, press this button once, then a button 1-9.
26	<b>MUTE</b> button. Press to mute the sound.
27	<b>DISPLAY</b> button. Press to show TV channel information.
28	<b>SUBTITLE</b> button. Press repeatedly until the subtitle language you want is selected.
29	<b>SETUP</b> button. Press to open the DVD Setup menu.
30	<b>NEXT</b> button. Press to go to the next chapter or track. Press again to skip forward by chapter or track.
31	<b>PREV</b> button. Press to go to the previous chapter or track. Press again to skip back by chapter or track.
32	<b>STOP</b> button. Press to stop DVD and CD playback.
33	<b>PAUSE/STEP</b> button. Press to pause DVD playback. Press again to step through a DVD one frame at a time.
34	<b>SLOW</b> button. Press to decrease the DVD playback speed.
35	<b>SEARCH</b> button. Press to go to DVD search mode.
36	<b>ZOOM</b> button. Press to zoom the DVD display image in on the picture.
37	<b>A-B</b> button. Press to repeat a selected portion of a DVD.
38	<b>REPEAT</b> button. Press to go to DVD repeat mode.

## Setting up your TV

### Installing the remote control batteries

**To install the batteries:**

- 1 Open the battery compartment on the back of the remote control.

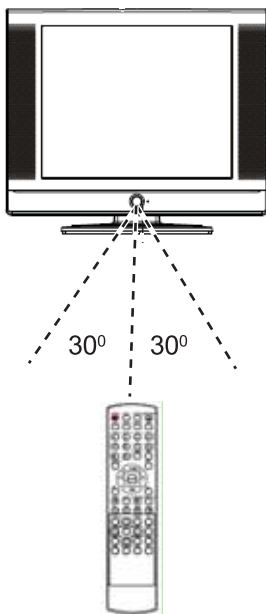


- 2 Insert the two AA batteries (provided) into the battery compartment. Make sure that the (+) and (-) symbols on the batteries match the diagram inside the compartment.

### Using the remote control

**To use the remote control:**

- Point it directly at the TV, within a 30° angle of the IR sensor on the front of the TV, and within 20 feet.



**Note**

Objects between the remote control and the sensor may weaken the remote control's IR signal. Range can be diminished by direct sunlight shining on the TV's IR sensor.

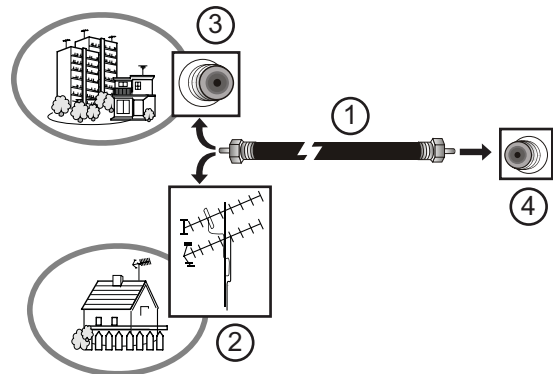
**Cautions**

Do not expose the remote control to liquids, direct sunlight, or shock.

The remote control may not work correctly if the TV's IR sensor is under direct sunlight or strong lighting. In these cases, change the angle of the lighting or the TV screen, or operate the remote control closer to the IR sensor.

### Connecting to video sources

**Connecting to an antenna or cable/satellite receiver**



**To connect an external antenna or cable/satellite receiver:**

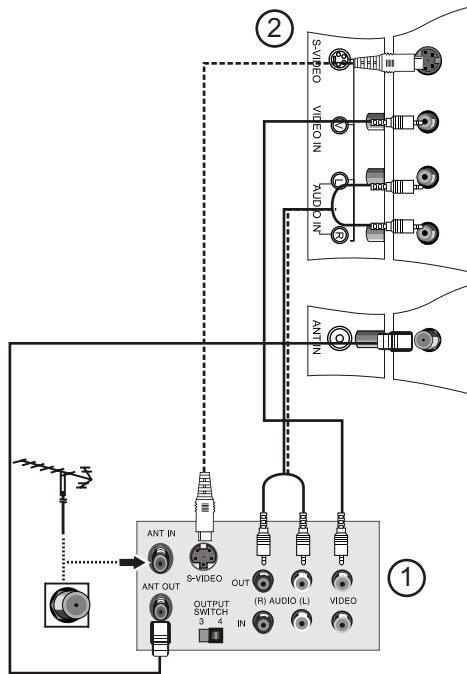
- 1 Connect the antenna cable (1) from an antenna (2) or cable/satellite receiver (3) to the antenna input jack (4) on the TV.
- 2 Press the **INPUT** button to set the TV's signal input to **TV**.

**Notes**

- To improve picture quality in a poor signal area, you can purchase and install a signal amplifier.
- To split the signal from an antenna, you will need a 2-way signal splitter.



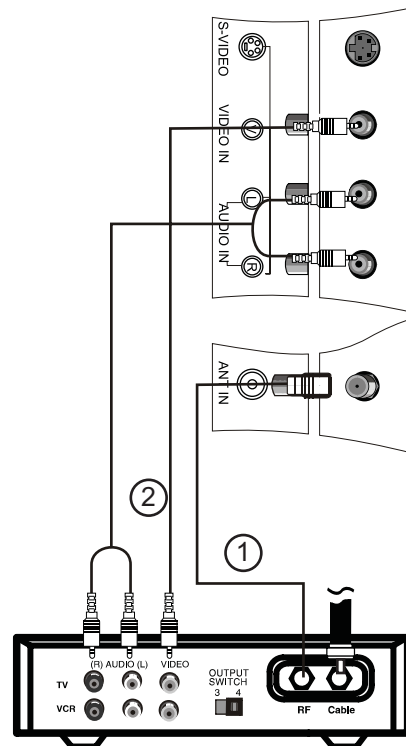
**Connecting to a VCR or other AV source**



**To connect your TV to a VCR or other AV source:**

- 1 Turn off the TV and the VCR (or other source).
- 2 Connect an RCA video cable to the VCR (1), then to the VIDEO IN jack on the back of the TV (2).  
- OR -  
Connect an S-Video cable to the VCR, then to the S-VIDEO jack on the back of the TV.
- 3 Connect RCA audio cables to the VCR's audio output jacks, then to the AUDIO L and R jacks on the back of the TV.
- 4 Turn on the TV and the VCR.
- 5 Set the VCR output switch to channel 3 or 4, then tune your TV to the same channel.
- 6 Press the **INPUT** button to set the TV's signal input to **AV** or **S-VIDEO**.

**Connecting to a cable box**



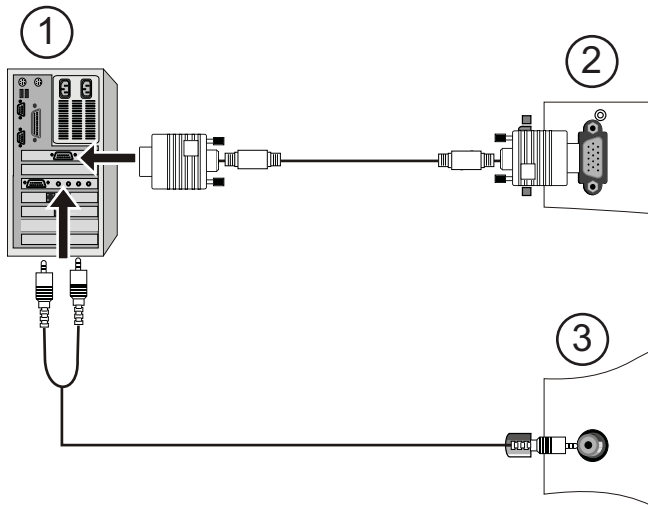
**To connect your TV to a cable box with an RF cable (1):**

- 1 Turn off the TV and the cable box.
- 2 Connect a 75 ohm RF cable from the cable box to the ANT IN jack on the back of your TV.
- 3 Set the cable box output switch to channel 3 or 4, then tune your TV to the same channel.
- 4 Turn on the TV and the cable box.
- 5 Change channels at the cable box or with the cable box remote.

**To connect your TV to a cable box with a AV cables (2):**

- 1 Turn off the TV and the cable box.
- 2 Connect RCA video and audio cables from the cable box to the VIDEO and AUDIO IN jacks on the back of your TV.
  - Yellow - Video
  - White - Audio left
  - Red - Audio right
- 3 Turn on the TV and the cable box.
- 4 Press the **INPUT** button to set the TV's signal input to **AV** or **S-VIDEO**.
- 5 Change channels at the cable box or with the cable box remote.

## Connecting to a computer



### To connect a computer video source to the VGA jacks:

- 1 Connect a VGA cable from the computer to the **VGA IN** port on the TV.
- 2 Connect a male-to-male audio cable from the computer to the **PC AUDIO IN** port on the TV.
- 3 Turn on the TV, then turn on the PC.
- 4 Press the **INPUT** button to set the TV's signal input to **PC**.

See "ADJUST" on page 16 to adjust the picture.

## Using your TV

### Turning the power on and off

#### To turn the power on and off:

- 1 Press the **POWER** button on the front panel of the TV or on the remote control. The **POWER** indicator turns green.
- 2 To turn off the TV, press the **POWER** button again. The screen image disappears and the **POWER** indicator turns red.

**Note**

A small amount of electric power is consumed even when the power is turned off.

### Changing the volume

You can change the volume using the TV's front panel or the remote control.

#### To change the volume:

- 1 Press **VOL+** or **VOL-**.
- 2 Press **MUTE** on the remote control to mute the sound, and press it again (or the **VOL+** or **VOL-**) to restore the sound.

## Changing the video source

Your TV supports multiple video sources.

### To select the video source:

- Press the **INPUT** button to select from the following input modes:
  - **TV**
  - **AV**
  - **S-VIDEO**
  - **PC**
  - **COMPONENT**
  - **DVD**

The name of the input source appears on the screen when it is selected.

## Changing channels

### To change channels:

- Press **CH+** or **CH-**.

### To enter a channel number directly:

- Press the number buttons on the remote control.

### To switch between two channels:

- 1 Press **RECALL** to change from the currently tuned channel to the previous channel.
- 2 Press **RECALL** again to change back to the originally tuned channel.

### To scan through memorized channels:

- 1 Press **SCAN** on the remote control. The picture pauses for about two seconds on each memorized channel.
- 2 To stop the Scan function, press **SCAN** again.

## Changing the picture mode

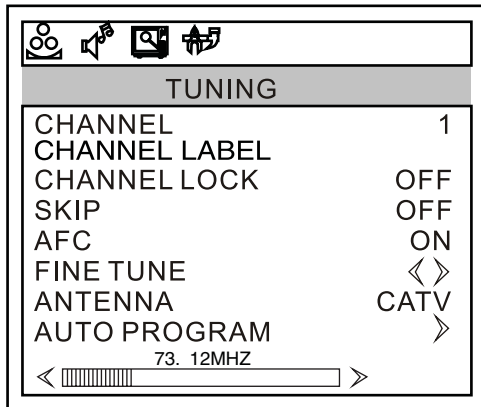
### To change the picture mode:

- Press **PICTURE** on the remote control to cycle through the following modes:
  - **PERSONAL**
  - **STANDARD**
  - **MILD**
  - **FRESH**

## Programming channels into memory

**To automatically program channels into memory:**

- 1 Press **MENU** on the TV or remote control, then press **VOL+/VOL-** to display the *TUNING* menu.



- 2 Press **CH+/CH-** to enter the *TUNING* menu and to highlight **AUTO PROGRAM**, then press **VOL+** to enter the *AUTO PROGRAM* submenu.



- 3 Press **VOL+** highlight **YES**, then press **MENU** to confirm your selection.
- 4 The TV searches and memorizes all channels on the selected antenna input available in your area.

**Note**  
If your TV is connected to cable, select **CATV** in the *ANTENNA* submenu.

- 5 To stop the auto search, press **MENU**.

## Displaying status information

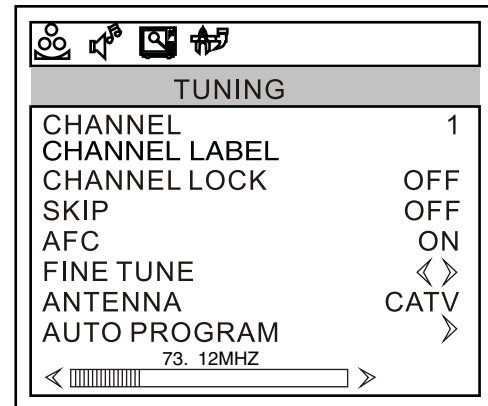
**To display status information:**

- Press the **DISPLAY** button. Your TV displays status information, such as the channel number or signal source.

## Adding a channel label

**To add a label to a channel:**

- 1 Press **MENU** on the TV or remote control, then press **VOL+/VOL-** to display the *TUNING* menu.



- 2 Press **CH+/CH-** to enter the *TUNING* menu and to highlight **CHANNEL LABEL**, then press **VOL+** to enter the menu.
- 3 Press **VOL+/VOL-** to select the position and **CH+/CH-** to select the letters or symbols to set.
- 4 Press **MENU** to confirm.

## Setting the sleep timer

The sleep timer lets you select the amount of time before your TV turns off automatically.

**To set the sleep timer:**

- Press the **SLEEP** button on the remote control repeatedly until the time duration you want is shown on the screen. Options include:
  - **SLEEP 240 MIN**
  - **SLEEP 180 MIN**
  - **SLEEP 120 MIN**
  - **SLEEP 90 MIN**
  - **SLEEP 60 MIN**
  - **SLEEP 45 MIN**
  - **SLEEP 30 MIN**
  - **SLEEP 15 MIN**
  - **SLEEP 10 MIN**
  - **SLEEP 5 MIN**
  - **SLEEP 0 MIN**

## Viewing closed captions

**To view closed captions:**

- Press the **CCD** button to toggle the closed captions on or off.

## Setting parental controls

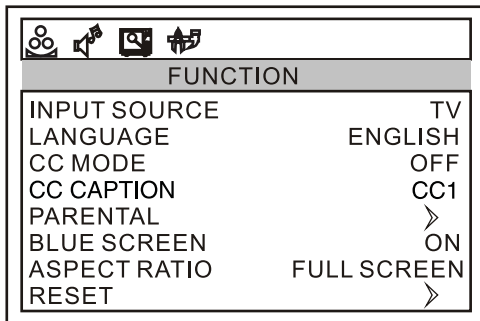
Your TV has a V-chip that lets you control the type of programs your children can watch. Parental controls include two ratings: MPAA (based on age) and TV Parental Guidelines (based on content and age). A TV program may have an MPAA or TV Parental Guidelines rating, so you should set controls for both ratings.

Before you can select ratings, you need to set up a parental controls password.

### Setting the Parental Control level

#### To set up a password:

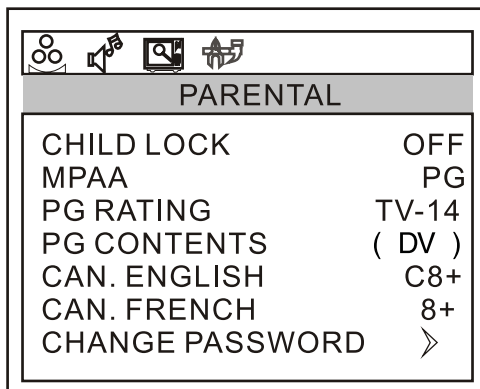
- 1 Press **MENU** on the TV or remote control, then press **VOL+/VOL-** to display the *FUNCTION* menu.



- 2 Press **CH+/CH-** to enter the *FUNCTION* menu and to highlight **PARENTAL**, then press **VOL+** to enter the *PARENTAL* submenu. The *PASSWORD* box opens.



- 3 Press the number buttons to enter **0000**. The *PARENTAL* menu opens.



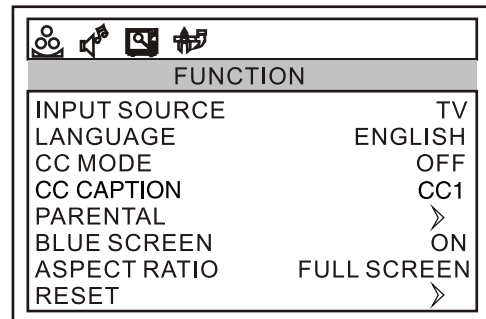
- 4 Press **CH+/CH-** to select *CHANGE PASSWORD*, then press **VOL+** to enter the *CHANGE PASSWORD* submenu.
- 5 Press the number buttons to enter a password.
- 6 Press the number buttons to enter the new password again, to confirm.

**Caution**  
Write down your password and save it for future use.

**Note**  
If you forget your password, enter 9443 for the old password, then enter a new password. This password always remains valid for resetting your password.

#### To set the Parental Control level:

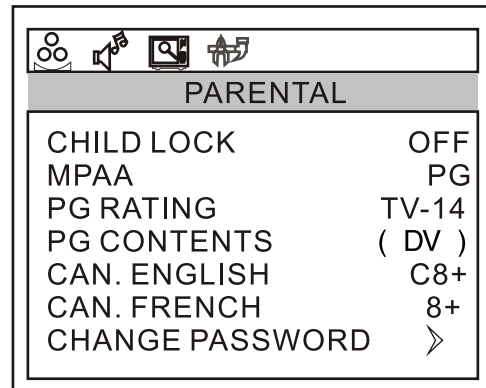
- 1 Press **MENU** on the TV or remote control, then press **VOL+/VOL-** to display the *FUNCTION* menu.



- 2 Press **CH+/CH-** to enter the *FUNCTION* menu and to highlight **PARENTAL**, then press **VOL+** to enter the *PARENTAL* submenu. The *PASSWORD* box opens.



- 3 Press the number buttons to enter your password. The *PARENTAL* menu opens.



- 4 Press **CH+/CH-** to select the option you want to change, then press **VOL+/VOL-** to change the option.
- 5 Press **MENU** or **EXIT** button to close the menu.

### American MPAA ratings

Rating	Description
NONE or NR	Not rated.
G	General audiences.
PG	Parental guidance suggested. Some material may not be suitable for children.
PG 13	Parental guidance strongly suggested. Some material may not be suitable for children under 13 years of age.
R	Restricted. Not suitable for children under 17 years of age unless accompanied by a parent or guardian.
NC 17	Not suitable for children under 17 years of age.

Rating	Description
X	Adults only.
OFF	No controls

### Canadian MPAA Ratings

Rating	Description
E	Exempt - includes news, sports, documentaries, talk shows.
C*	Children (English)
G**	Children (French)
8+**	Children 8 years and above (French)
C8+*	Children 8 years and above (English)
G*	General audience (English)
PG	Parental guidance suggested.
13+**	13 years old and above (French)
14+*	14 years old and above (English)
16+**	16 years old and above (French)
18+	Adult programming
OFF	No controls

\* Can. English only

\*\* Can. French only

### TV Parental Guidelines ratings

Rating	Description
NONE or NR	Not rated.
TV-Y	All children.
TV-Y7	Children over seven years of age.
TV-G	General audiences.
TV-PG	Parental guidance suggested.
TV-14	Parents strongly cautioned.
TV-MA	Mature audiences only.

Some of the age-based TV Parental Guidelines ratings also have PG Content-based ratings.

Rating
FANTASY VIOLENCE.
DIALOGUE
LANGUAGE.
SEX
VIOLENCE.

## Using the DVD player

### Playing a DVD

#### To play a DVD:

- 1 Press **POWER** to turn on the TV.
- 2 Press **TV/DVD** to select **DVD**.
- 3 Press **OPEN/CLOSE** to open the disc tray.

- 4 Place the DVD in the disc tray, then press **OPEN/CLOSE** to close the disc tray. The DVD player reads the DVD and displays the opening menu.
- 5 Press the **▲** and **▼** buttons to highlight menu items, and press **PLAY/PAUSE** on the player, or **PLAY/ENTER** on the remote, to select.
- 6 During playback:
  - Press **PLAY/PAUSE** on the player, or **PAUSE/STEP** on the remote, to pause playback. Press **PLAY/PAUSE** on the player, or **PLAY/ENTER** on the remote, to resume playback.
  - Press **◀◀** to fast review, and press **▶▶** to fast forward. Each time you press the fast reverse or fast forward button, the speed changes.
  - Press **◀◀** to skip to the previous chapter, and press **▶▶** to skip to the next chapter. Press repeatedly to continue skipping back or forward.
  - To advance a movie frame by frame, press **PAUSE/STEP**, then press **PAUSE/STEP** again. Each time you press **PAUSE/STEP**, the movie advances by one frame.
  - To play in slow motion, press **SLOW**.
  - To search for a specific scene, press **SEARCH** to open the **SEARCH** menu, press the number buttons to indicate the scene you want.
  - To completely stop DVD playback, press **STOP** twice.
- 7 Press **OPEN/CLOSE** to remove the DVD.

### Accessing the root DVD menu

#### To access the root DVD menu:

- 1 Press **DVD MENU** on the remote control.
- 2 Select and change the options you want.

#### Note

This function is not available on DVDs with multi-layer menus.

### Displaying DVD information

#### To display DVD information:

- Press **DISPLAY** on the remote control repeatedly to cycle through *Title Elapsed*, *Title Remain*, *Chapter Elapsed*, *Chapter Remain*, and *Display Off*.

### Selecting the subtitle language

If the DVD was created with subtitles, you can change the subtitle language.

#### To change the subtitle language:

- 1 Press **SUBTITLE** repeatedly until the desired language is selected.

- 2 To remove subtitles, press **SUBTITLE** until "Off" appears on the screen.

**Note**

Changing the subtitle language using this method only affects the DVD currently being played. When the DVD is removed or the player is turned off, the subtitle language reverts to the language setting specified through the DVD player's main menu.

**Tip**

The subtitle language can also be changed through the DVD player's main menu or the DVD's own subtitle settings.

### Using repeat play

You can repeat chapters, titles, or the entire DVD using Repeat Play.

#### To repeat a segment:

- 1 While the DVD is playing, press **REPEAT** to scroll through the options:
  - **Chapter** (repeats the current chapter)
  - **Title** (repeats the current title)
  - **All** (repeats all content on the DVD)
- 2 To stop repeat playback, do one of the following:
  - Press **REPEAT** until "ALL" disappears from the screen.
  - Press **STOP** twice.
  - Eject the DVD.

#### To repeat selected parts of a DVD:

- 1 Set a starting point by pressing **A-B**.
- 2 Set an end point by pressing **A-B** again.
- 3 The player plays from point A to point B.
- 4 To stop the repeat function, press **A-B** again.

### Changing the camera angle

Some DVDs contain multiple angles of a scene or sequence. If the DVD has only one angle, this feature does not work.

#### To change the camera angle:

- 1 Press **ANGLE** repeatedly until the desired camera angle is selected.
- 2 To resume normal playback, press **ANGLE** until the original angle is selected.

### Magnifying the image

You can enlarge or reduce the display image while the DVD is playing or while it is paused.

#### To magnify the image:

- 1 While a DVD is playing, press **ZOOM**. The image is magnified 2x. Continue pressing **ZOOM** to magnify the image 3x, then 4x.
  - While the image is magnified, press the **▲ ▼** and **◀ ▶** buttons to move the picture on the screen.
- 2 To return to normal picture size, press **ZOOM** until the picture returns to normal.

### Program play

To play chapters and titles in a custom order, you can create a playback program.

#### To program playback:

- 1 Press **PROGRAM** while a disc is playing to enter Program mode.
- 2 Press the number buttons on the remote control to enter the title and chapter you want to play first. The title and chapter number you entered appears in the box.
- 3 The cursor jumps to the next spot in the program list section. Make sure the box is highlighted and enter your next title and chapter.
- 4 Continue adding titles and chapters until your program is finished.
- 5 Highlight Start, then press **PLAY/ENTER** to start playing the program.
- 6 To stop the programmed playback, press **STOP** twice during program play.

#### Changing the audio options

If the DVD was created with multiple language tracks (recorded in different languages), or multiple sound options, you can temporarily change the DVD player's Audio settings.

#### To change the audio options:

- 1 Press **AUDIO**. The OSD shows the current audio setting.
- 2 If multiple audio options are available, press **AUDIO** again to select the next audio track.

**Note**

This feature only works if the DVD was created with multiple audio tracks. When you choose an audio language, you only temporarily override the audio language setting in the DVD player's main menu.

Allow a three second interval between selections.

**Tip**

The audio language can also be changed through the DVD player's main menu or the DVD's own audio settings.

### Playing a CD

#### To play a CD:

- 1 Press **POWER** to turn on the player.
- 2 Press **TV/DVD** to select DVD.
- 3 Press **▲ OPEN/CLOSE** to open the disc tray.
- 4 Place the CD in the disc tray, then press **▲ OPEN/CLOSE** to close the disc tray. The DVD player begins playing the CD.
- 5 During playback:
  - Press **▶|| PLAY/PAUSE** on the player, or **|| PAUSE/STEP** on the remote, to pause playback. Press **▶|| PLAY/PAUSE** on the player, or **PLAY/ENTER** on the remote, to resume playback.
  - Press **◀◀** to fast review, and press **▶▶** to fast forward.
  - Press **◀◀** to skip to the previous track, and press **▶▶** to skip to the next track. Press repeatedly to continue skipping back or forward.
  - To completely stop CD playback, press **STOP**.
- 6 Press **▲ OPEN/CLOSE** to remove the CD.

### Using repeat play

You can repeat tracks or the entire CD using repeat play.

#### To use repeat play:

- 1 While the CD is playing, press **REPEAT** to scroll through the options:
  - Single - (play current track)
  - Repeat One - (repeat current track)
  - Repeat Folder - (repeat current folder)
  - Folder - (play current folder)
- 2 To stop repeat playback, do one of the following:
  - Press **REPEAT** until "Folder" disappears from the screen.
  - Press **STOP** twice.
  - Eject the CD.

### Changing the audio mode

#### To change the audio output of a multi-channel CD:

- During CD playback, press **AUDIO**. The setting changes each time you press the button:
  - Mono Left
  - Mono Right
  - Mix-Mono
  - Stereo

### Selecting a track for playback

#### To select a specific track for playback:

- After you load a CD into the player, and after the player finishes reading the disc, press the number buttons to enter the track number, then press **PLAY/ENTER** to play the track.

#### Tip

If the track number is under 10, press buttons **1-9** to select it. If the track number is 10, press **10+** once, then button **0** to select it. If the track number is over 10, press **10+** once, then a button **1-9**.

### Playing a JPEG disc

#### To play a JPEG disc:

- 1 Press **POWER** to turn on the player.
- 2 Press **TV/DVD** to select DVD.
- 3 Press **OPEN/CLOSE** to open the disc tray.
- 4 Place the disc in the disc tray, then press **OPEN/CLOSE** to close the disc tray. The disc navigation menu opens.
- 5 Press **▲ ▼** to select the file you want, then press **PLAY/ENTER** to confirm. The slideshow begins.
- 6 During playback:
  - Press **PAUSE/STEP** on the remote, to stop the picture and press **PLAY/ENTER** resume normal play.
  - Press **PREV** to skip to the previous picture, and press **NEXT** to skip to the next picture. Press repeatedly to continue skipping back or forward.

- To completely stop disc playback, press **STOP** twice.
- 7 Press **OPEN/CLOSE** to remove the disc.

## Customizing TV settings

### Opening and navigating the on-screen menus

#### Using the on-screen menu

Your TV has an on-screen menu that lets you adjust TV settings, such as video and audio settings.

#### To use the on-screen menu:

- 1 Press **MENU** on the TV or remote control, then press **VOL+/VOL-** to display the menu you want.
- 2 Press **CH+/CH-** to enter the menu and to highlight option you want, then press **VOL+/VOL-** to change the setting.
- 3 If a submenu is available, press **VOL+** to enter the submenu, the press **VOL+/VOL-** to change the setting.
- 4 Press **MENU** or **EXIT** to close the on-screen menu.

### On-screen menus

On-screen menu	Options
TUNING	<p><b>CHANNEL</b>—The current channel selected. Press <b>VOL+/VOL-</b> to change the setting.</p> <p><b>CHANNEL LABEL</b>—Lets you add a label to a channel.</p> <p><b>CHANNEL LOCK</b>—Lets you lock a channel.</p> <p><b>SKIP</b>—Setting this to ON causes the current channel (see CHANNEL above) to be skipped on the channel list. You can select a skipped channel by inputting the channel number using the number keys.</p> <p><b>AFC</b>—Auto frequency control. Select <b>ON</b> to automatically improve image quality.</p> <p><b>FINE TUNE</b>—Use to manually adjust tuning to improve image and sound quality. Do not use unless reception is poor.</p> <p><b>ANTENNA</b>—Selects the TV antenna source (<b>AIR</b> or <b>CATV</b>).</p> <p><b>AUTO PROGRAM</b>—Automatically sets up a list of the channels available in your area for the antenna type selected. For more information, see "Programming channels into memory" on page 11.</p>

On-screen menu	Options
<b>PICTURE</b> (Options may vary in different modes.)	<p><b>CONTRAST</b>—Increases the picture level to adjust the white areas of the picture. Decreases the picture level to adjust the black areas of the picture. (0 - 100)</p> <p><b>BRIGHTNESS</b>—Increases the brightness to add more light to dark areas of the picture. Decreases the brightness to add more dark to light areas of the picture. (0 - 100)</p> <p><b>SHARPNESS</b>—Increases the sharpness for a cleaner and clearer image. Decreases the sharpness for a smoother picture. (0-4)</p> <p><b>COLOR TEMP</b>—Adjusts the overall color of the picture. (NEUTRAL, WARM, COOL)</p> <p><b>COLOR</b>—Adjusts the color saturation of the picture.</p> <p><b>H POSITION</b>—Adjusts the horizontal position of the picture. Component mode only.</p> <p><b>V POSITION</b>—Adjusts the vertical position of the picture. Component mode only.</p> <p><b>NOISE REDUCTION</b>—Adjusts the quality of the picture (OFF, LOW, MID, or HIGH). TV/AV/ S-VIDEO/DVD modes only.</p> <p><b>HUE</b>—Adjusts the tone of the picture. TV/AV/ S-VIDEO/DVD modes in NTSC system only.</p>
<b>SOUND</b>	<p><b>VOLUME</b>—Adjusts the volume of the TV.</p> <p><b>BALANCE</b>—Adjusts the right and left speaker volumes.</p> <p><b>BASS</b>—Adjusts the low sounds (bass). Available in Personal mode only.</p> <p><b>TREBLE</b>—Adjusts the high sounds (treble). Available in Personal mode only.</p> <p><b>AUDIO MODE</b>—Selects an audio equalization mode for the TV sound (PERSONAL, VOICE, MUSIC, or THEATRE)</p> <p><b>AVL</b>—Automatic Volume Limit Control. Reduces the effect of high volume by limiting volume peaks across all channels.</p>
<b>FUNCTION</b>	<p><b>INPUT SOURCE</b>—Shows the currently selected TV signal source (TV, AV, S-VIDEO, PC, COMPONENT, or DVD).</p> <p><b>LANGUAGE</b>—Selects the language for the on-screen display (OSD).</p> <p><b>CC MODE</b>—Selects the Closed Captioning mode. Options include:</p> <ul style="list-style-type: none"> <li>• <b>OFF</b>—Turns off Closed Captioning</li> <li>• <b>ON WHEN MUTE</b>—Turns on Closed Captioning when the sound is muted.</li> <li>• <b>ON</b>—Turns on Closed Captioning.</li> </ul> <p><b>CC CAPTION</b>—Selects the Closed Caption type for viewing.</p> <ul style="list-style-type: none"> <li>• <b>CC1</b>—Turns on Closed Captioning in the primary language of your area</li> <li>• <b>CC2-CC4</b>—Turns on other modes of video-related broadcast information in a secondary language.</li> <li>• <b>TT1</b>—Turns on the program guide provided by broadcasters.</li> <li>• <b>TT2-TT4</b>—Turns on other types of information provided by broadcasters.</li> </ul> <p><b>PARENTAL</b>—Accesses V-chip controls. For more information, see "Setting parental controls" on page 11.</p> <p><b>BLUE SCREEN</b>—Sets the option to turn on the blue screen if there is no signal for three seconds.</p> <p><b>ASPECT RATIO</b>—Selects the aspect ratio of the picture. Choices include:</p> <ul style="list-style-type: none"> <li>• <b>FULL SCREEN</b></li> <li>• <b>ZOOM</b></li> </ul> <p><b>RESET</b>—Restores the settings to factory default.</p>

On-screen menu	Options
<b>ADJUST</b> (Only available in PC mode)	<p><b>AUTO CONFIG</b>—Automatically adjusts the picture frequency and phase parameters for use with a PC.</p> <p><b>PHASE</b>—Adjusts the phase of the PC image to remove horizontal distortion and sharpen characters.</p> <p><b>CLOCK</b>—Adjusts the TFT-LCD to match the PC input source clock frequency.</p> <p><b>H POSITION</b>—Adjusts the horizontal position of the picture.</p> <p><b>V POSITION</b>—Adjusts the vertical position of the picture.</p>

## Customizing DVD player settings

### Using the setup menu

Use your remote control to navigate the setup menu, where you can configure DVD player settings.

#### To open and navigate the Setup menu:

- 1 Press **SETUP** on the remote control. The *General Setup Page* opens.

..General Setup Page..

Tv Display	4:3 LB	4:3/Ps
Angle Mark	On	4:3/Lb
Osd Lang	ENG	16:9
Caption	On	
Screen Saver	Off	
Hdcd	Off	
Last Memory	On	

- 2 If no disc is playing, press **SETUP** again. The *Preference Page* opens.

..Preference Page..

Parental	1 Kid Saf
Password	2 G
Default	3 Pg
	4 Pg 13
	5 Pgr
	6 R
	7 Nc17
	8 Adult

- 3 Press **▲ ▼** to highlight a selection or submenu, then press **▶** to show the options available.
- 4 Press **▲ ▼** to select the option/setting you want, then press **PLAY/ENTER** to confirm.
- 5 To exit the Setup menu, press **SETUP**.



## Changing DVD settings

On-screen menu	Options
<b>GENERAL SETUP</b>	<p><b>TV DISPLAY</b>—Sets the aspect ratio of the TV display.</p> <ul style="list-style-type: none"> <li>• <b>4:3/PS</b> (Pan and Scan - may be used with external TVs) Widescreen images are shown on the screen, but with some parts automatically cut off the ends.</li> <li>• <b>4:3/LB</b> (Letter Box - use with internal TV) Widescreen images are shown on the screen with black bars on the top and bottom of the screen.</li> <li>• <b>16:9</b> (may be used with external TVs) Widescreen images fill the entire screen.</li> </ul> <p><b>ANGLE MARK</b>—Lets you turn the Angle option On or Off. If you set this to On, you can use the <b>ANGLE</b> button on the remote to select an alternate viewing angle on the DVD.</p> <p><b>OSD Lang.</b>—Lets you select the language for the On Screen Display (OSD).</p> <p><b>CAPTION</b>—Lets you turn the caption On or Off.</p> <p><b>SCREEN SAVER</b>—Lets you turn on the screen saver, which displays when the DVD player is idle for more than three minutes.</p> <p><b>Hdcd</b>—Lets you set Hdcd to "OFF", "1X", "2X" to switch the CD play mode between "Normal CD", "HDCD with 44.1K", "HDCD with 88.2K". You can play normal CDs when "HDCD" is set to off. You can play 44.1K CDs when HDCD is set to 1X, and 88.2K CDs when HDCD is set to 2X to enhance the audio quality.</p> <p><b>Last Memory</b>—Lets you turn the last memory option On or Off. When set to On, the DVD player remembers the chapter that you were viewing when you turn the DVD player off and starts the DVD at that chapter when you turn the DVD player back on.</p>
<b>PREFERENCE</b> (only available when no disc is in the player)	<p><b>PARENTAL</b>—Lets you set Parental Controls for watching DVDs. Initial password is <b>1234</b> Options include:</p> <ul style="list-style-type: none"> <li>• Off</li> <li>• 1 Kid Saf</li> <li>• 2 G</li> <li>• 3 Pg</li> <li>• 4 Pg 13</li> <li>• 5 Pgr</li> <li>• 6 R</li> <li>• 7 Nc 17</li> <li>• 8 Adult</li> </ul> <p><b>PASSWORD CHANGE</b>—Lets you change the password used to set or change Parental Controls. The initial password is <b>1234</b>. Use the number buttons to enter, then confirm the new password.</p> <p><b>Note:</b> If you forget your password, enter <b>1369</b>.</p> <p><b>DEFAULT</b>—Resets all settings (except Parental Controls and the password) to factory default. Press <b>ENTER</b> to confirm.</p>

## Troubleshooting

Please check the following items before asking for repair service:

Problem	Solution
No picture or sound.	Check all cable connections. Make sure that the TV is plugged in and turned on. Make sure that electricity is available at the AC power outlet.
Picture is OK, but no sound.	Check the volume level and mute settings. Switch to another channel to determine if the station is the problem.
No picture	Make sure that the TV is working properly. Press the <b>INPUT</b> button to select TV input. Make sure the color system is set correctly.
Sound is OK, but no color.	Check the color control and adjust it. Check the program's color features, because it may be a black and white movie.
The picture has overlapped images.	Make sure that the antenna is installed correctly. If not, adjust the antenna toward the broadcasting station.
Picture has "snow."	Check the antenna and its connection. If there are problems, correct them. If all connections are tight, the problem may be with a faulty antenna or cable. Check whether car traffic or neon signs disturb the image.
Stripes on picture.	Check for interference from other electronic devices, such as radios and televisions, and keep magnetic or electronic devices away from the TV.
Bad stereo or SAP sound.	Long distance from the station or interfering radio waves can result in bad sound reception. If so, change the mode to Mono.
Remote control does not work.	Point the remote control at the TV's IR sensor. Change the batteries in the remote control. Remove any obstacles between the TV's IR sensor and the remote control.
Image is not clear.	Adjust the NOISE REDUCTION.
Image is not centered.	Adjust the Horizontal or Vertical control.
Bad sound quality	Make sure that the audio output mode is set correctly. Make sure that the audio connection between the unit and amplifier (if used) is secure.
Disc cannot be played	Make sure the disc is inserted with the label facing forward. Clean the disc. Moisture has condensed in the player. Remove the disc and leave the player on for about an hour.
The player doesn't operate normally	Disconnect the power plug for ten seconds, then reconnect it. If the problem persists, contact Insignia or your dealer for help.

## Maintaining

### Handling and cleaning the TV/DVD

#### Shipping the DVD/VCR

Please save the original shipping carton and packing materials. If you need to ship the TV/DVD, for maximum protection, re-pack the it as it was originally packed at the factory.

#### Keeping the exterior surfaces clean

- Do not use volatile liquids such as insecticide spray near the TV/DVD.
- Do not leave rubber or plastic products in contact with the TV/DVD for a long period of time because they can leave marks on the surface.

#### Cleaning the case

- To clean the player, use a soft, dry cloth. If the surfaces are extremely dirty, use a soft cloth lightly moistened with a mild detergent solution.
- Do not use strong solvents such as alcohol, benzene, or thinner, as these might damage the surface of the player.

#### Maintaining the TV/DVD

This TV/DVD is a high-tech, precision device. If the optical pick-up lens and disc drive parts are dirty or worn, the picture quality could be diminished.

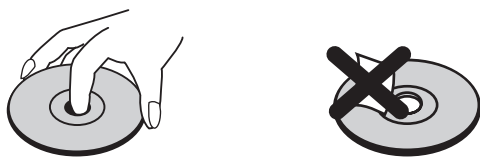
Depending on the operating environment, regular inspection and maintenance are recommended after every 1,000 hours of use.

For details, please contact your nearest authorized service center.

### Care and handling of discs

#### Handling discs

Do not touch the playback side of the disc. Hold the disc by the edges so that fingerprints do not get on the surface. Never stick paper or tape on the disc.

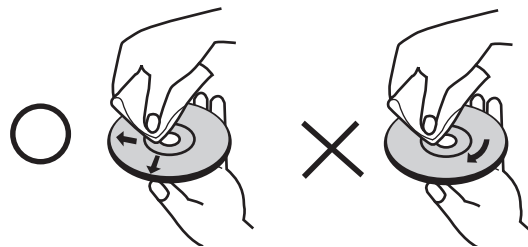


#### Storing discs

After playing, store the disc in its case. Do not expose the disc to direct sunlight or sources of heat and never leave it in a parked car exposed to direct sunlight.

#### Cleaning discs

Fingerprints and dust on the disc can cause poor picture quality and sound distortion. Before playing, clean the disc with a clean cloth. Wipe the disc from the center out.



Do not use strong solvents such as alcohol, benzene, thinner, commercially available cleaners, or anti-static spray intended for older vinyl records.

#### Note

Never operate this product immediately after moving it from a cold location to a warm location. Leave it for two or three hours without operating it. If you use this product in such a situation, it may damage tapes, discs, or internal parts.

## Specifications

Model	NS-CL15C
Picture and sound system	NTSC
Audio output	1.5 W + 1.5 W
External input	AV, PC, S-Video, PC audio, YPbPr, Antenna
Power requirements	~ 120 V 60 Hz
Power consumption	60 W
Temperature	Working: 41° F ~ 95° F (+5° C ~ +35° C) Storage: 5° F ~ 113° F (-15° C ~ +45° C)
Accessories	Remote control Batteries (two - AA) User Guide

### Playable discs

The following discs, and only the following discs, can be played in the DVD player.

Discs	Label	Contents	Dimension
DVD		Audio + Video (moving picture)	12 cm
CD		Audio	12 cm
HDCD		Audio	12 cm
MPEG-4		Audio + Video (moving picture)	12 cm
JPEG		Video (picture)	12 cm
KODAK CD		Video (picture)	12 cm
CD-R		Audio or Video (moving picture)	12 cm
CD-RW		Audio or Video (moving picture)	12 cm
CD+G		Audio (picture)	12 cm

## Legal Notices

### Macrovision statement

This product incorporates copyright protection technology that is protected by method claims of certain U.S. patents and other intellectual property rights owned by Macrovision Corporation and other rights owners. Use of this copyright protection technology must be authorized by Macrovision Corporation, and is intended for home and other limited viewing uses only unless otherwise authorized by Macrovision Corporation. Reverse engineering or disassembly is prohibited.

### Copyright

© 2007 Insignia. Insignia and the Insignia logo are trademarks of Best Buy Enterprise Services, Inc. Other brands and product names are trademarks or registered trademarks of their respective holders. Specifications and features are subject to change without notice or obligation.

For service and support call (877) 467-4289.



## 1 Year Limited Warranty

Insignia Products ("Insignia") warrants to you, the original purchaser of this new 15" Combo DVD/LCD TV ("Product"), that the Product shall be free of defects in the original manufacture of the material or workmanship for a period of one (1) year from the date of your purchase of the Product ("Warranty Period"). This Product must be purchased from an authorized dealer of Insignia brand products and packaged with this warranty statement. This warranty does not cover refurbished Product. If you notify Insignia during the Warranty Period of a defect covered by this warranty that requires service, terms of this warranty apply.

### HOW LONG DOES THE COVERAGE LAST?

The Warranty Period lasts for 1 year (365 days) from the date you purchased the Product. The purchase date is printed on the receipt you received with the Product.

### WHAT DOES THIS WARRANTY COVER?

During the Warranty Period, if the original manufacture of the material or workmanship of the Product is determined to be defective by an authorized Insignia repair center or store personnel, Insignia will (at its sole option): (1) repair the Product with new or rebuilt parts; or (2) replace the Product at no charge with new or rebuilt comparable products or parts. Products and parts replaced under this warranty become the property of Insignia and are not returned to you. If service of Products or parts are required after the Warranty Period expires, you must pay all labor and parts charges. This warranty lasts as long as you own your Insignia Product during the Warranty Period. Warranty coverage terminates if you sell or otherwise transfer the Product.

### HOW TO OBTAIN WARRANTY SERVICE?

If you purchased the Product at a retail store location, take your original receipt and the Product to the store you purchased it from. Make sure that you place the Product in its original packaging or packaging that provides the same amount of protection as the original packaging. If you purchased the Product from an online web site, mail your original receipt and the Product to the address listed on the web site. Make sure that you put the Product in its original packaging or packaging that provides the same amount of protection as the original packaging.

To obtain in-home warranty service for a television with a screen 25 inches or larger, call 1-888-BESTBUY. Call agents will diagnose and correct the issue over the phone or will have an Insignia-approved repair person dispatched to your home.

### WHERE IS THE WARRANTY VALID?

This warranty is valid only to the original purchaser of the product in the United States and Canada.

### WHAT DOES THE WARRANTY NOT COVER?

This warranty does not cover:

- Customer instruction
- Installation
- Set up adjustments
- Cosmetic damage
- Damage due to acts of God, such as lightning strikes
- Accident
- Misuse
- Abuse
- Negligence
- Commercial use
- Modification of any part of the Product, including the antenna
- Plasma display panel damaged by static (non-moving) images applied for lengthy periods (burn-in).

This warranty also does not cover:

- Damage due to incorrect operation or maintenance
- Connection to an incorrect voltage supply
- Attempted repair by anyone other than a facility authorized by Insignia to service the Product
- Products sold as is or with all faults
- Consumables, such as fuses or batteries

- Products where the factory applied serial number has been altered or removed

REPAIR REPLACEMENT AS PROVIDED UNDER THIS WARRANTY IS YOUR EXCLUSIVE REMEDY. INSIGNIA SHALL NOT BE LIABLE FOR ANY INCIDENTAL OR CONSEQUENTIAL DAMAGES FOR THE BREACH OF ANY EXPRESS OR IMPLIED WARRANTY ON THIS PRODUCT, INCLUDING, BUT NOT LIMITED TO, LOST DATA, LOSS OF USE OF YOUR PRODUCT, LOST BUSINESS OR LOST PROFITS. INSIGNIA PRODUCTS MAKES NO OTHER EXPRESS WARRANTIES WITH RESPECT TO THE PRODUCT, ALL EXPRESS AND IMPLIED WARRANTIES FOR THE PRODUCT, INCLUDING, BUT NOT LIMITED TO, ANY IMPLIED WARRANTIES OF AND CONDITIONS OF MERCHANTABILITY AND FITNESS FOR A PARTICULAR PURPOSE, ARE LIMITED IN DURATION TO THE WARRANTY PERIOD SET FORTH ABOVE AND NO WARRANTIES, WHETHER EXPRESS OR IMPLIED, WILL APPLY AFTER THE WARRANTY PERIOD. SOME STATES, PROVINCES AND JURISDICTIONS DO NOT ALLOW LIMITATIONS ON HOW LONG AN IMPLIED WARRANTY LASTS, SO THE ABOVE LIMITATION MAY NOT APPLY TO YOU. THIS WARRANTY GIVES YOU SPECIFIC LEGAL RIGHTS, AND YOU MAY ALSO HAVE OTHER RIGHTS, WHICH VARY FROM STATE TO STATE OR PROVINCE TO PROVINCE.

Contact Insignia:

For customer service please call 1-877-467-4289

[www.insignia-products.com](http://www.insignia-products.com)

INSIGNIA™ is a trademark of Best Buy Enterprise Services, Inc.

Distributed by Best Buy Purchasing, LLC.

Insignia, 7601 Penn Avenue South, Richfield, Minnesota, U.S.A.



# Ensemble Lecteur de DVD/TV ACL de 15 pouces Insignia NS-CL15C

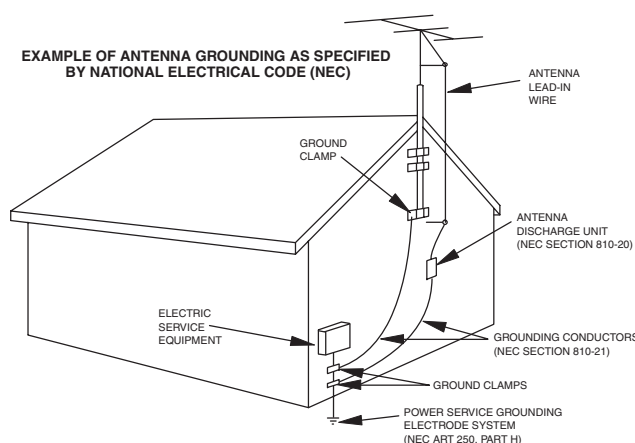
## Informations sur la sécurité

### Prises d'antenne

Si le téléviseur est connecté à une antenne extérieure, vérifier que l'antenne est mise à la terre afin de bénéficier d'une certaine protection contre les variations de tension et les charges électrostatiques. L'article 810 du Code national de l'électricité (CNE) fournit des informations relatives à la mise à la terre correcte du mât et du support, à la mise à la terre du câble d'antenne sur la décharge de l'antenne, au diamètre des câbles de terre, à l'emplacement de l'unité de décharge de l'antenne, à la connexion aux conducteurs de terre ainsi qu'aux normes en matière de prise de terre.

## Table des matières

Bienvenue.....	23
Informations sur la sécurité .....	23
Fonctionnalités .....	26
Accessoires .....	26
Vue avant .....	26
Vue arrière - connecteurs .....	26
Télécommande .....	27
Installation du téléviseur.....	28
Installation des piles de la télécommande.....	28
Utilisation de la télécommande .....	29
Connexion à des sources vidéo .....	29
Utilisation du téléviseur.....	30
Mise sous et hors tension de l'appareil.....	30
Réglage du volume .....	31
Changement de source vidéo .....	31
Changement de canal .....	31
Modification du mode d'image.....	31
Mémorisation des canaux .....	31
Utilisation du lecteur de DVD .....	34
Lecture d'un DVD .....	34
Lecture d'un CD .....	35
Lecture d'un disque de fichiers JPEG .....	36
Configuration personnalisée du téléviseur .....	36
Ouverture et navigation parmi les menus d'écran.....	36
Utilisation du menu à l'écran .....	36
Menus d'écran.....	37
Personnalisation de la configuration du lecteur de DVD .....	38
Utilisation du menu de configuration .....	38
Modifications des paramètres du DVD .....	38
Problèmes et solutions .....	39
Entretien .....	39
Spécifications .....	40
Avis légaux .....	40
Garantie limitée d'un an .....	41



- Pour protéger l'appareil pendant un orage ou s'il se trouve inutilisé et sans surveillance pendant de longues périodes, le débrancher de la prise murale et débrancher l'antenne. Ceci évitera d'endommager l'appareil en cas de foudre et de variations de tension du secteur.
- L'antenne externe ne doit pas être située près de lignes électriques aériennes ou d'autres circuits d'alimentation et électriques, ni à un emplacement où elle pourrait tomber sur de tels circuits ou lignes électriques. Lors de l'installation d'une antenne extérieure, faire très attention de ne pas toucher de telles lignes électriques ou circuits car tout contact peut être mortel.

### Risque de choc électrique

Afin de réduire les risques d'incendie et de choc électrique, ne pas exposer cet appareil à la pluie ou l'humidité.



## Bienvenue

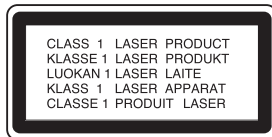
Félicitations d'avoir acheté ce produit Insignia de haute qualité. Le modèle NS-CL15C représente la dernière avancée technologique dans la conception de téléviseur et lecteur de DVD et a été conçu pour des performances et une fiabilité exceptionnelles.



Le symbole représentant un éclair dans un triangle équilatéral a pour but d'avertir l'utilisateur du danger présenté par des pièces non isolées à l'intérieur de l'appareil et dont la tension est suffisante pour provoquer des décharges électriques dangereuses.



Le point d'exclamation dans un triangle équilatéral a pour but d'avertir l'utilisateur que des instructions importantes relatives à l'utilisation et à l'entretien se trouvent dans le manuel accompagnant l'appareil.



## Attention

La plupart des fabricants recommandent que leurs graveurs/enregistreurs soient branchés sur un circuit dédié. À savoir, un circuit à prise unique qui n'alimente que l'appareil sur lequel aucune autre prise ou autre circuit ne sont branchés.

Ne pas surcharger les prises secteur. Les prises secteur surchargées, desserrées ou endommagées, les rallonges surchargées, les cordons d'alimentation effilochés, l'isolement des fils fissurés ou endommagés sont dangereux. N'importe quelle situation de ce type peut être la cause d'un choc électrique ou d'un incendie. Examiner régulièrement le cordon d'alimentation de l'appareil, et en présence de signes de dommage ou de détérioration, débrancher l'appareil et ne plus l'utiliser tant qu'un réparateur agréé n'a pas remplacé le cordon par une pièce neuve identique.

Protéger le cordon d'alimentation des détériorations résultant de torsions, déformations, pincements, coincements dans une porte qui se ferme ou piétinement. Prêter particulièrement attention au point de branchement du cordon à la prise, à la prise murale et à l'endroit où il est raccordé à l'appareil.

Pour débrancher l'appareil de la prise murale, tirer sur la prise du cordon d'alimentation. Lors de l'installation de l'appareil, veiller à ce que la prise soit d'un accès facile.

## Attention :

Cet appareil est doté d'un système au laser. Pour s'assurer d'une utilisation correcte de ce produit, prendre soin de lire attentivement le manuel de l'opérateur et de le conserver sous la main pour toute référence ultérieure. Contacter un réparateur qualifié si un entretien de l'appareil s'avère nécessaire.

L'utilisation de commandes ou l'exécution de réglages ou procédures autres que celles indiquées ici peuvent aboutir à une irradiation dangereuse.

Pour éviter toute exposition directe aux rayons laser, ne pas essayer d'ouvrir le boîtier. **NE PAS REGARDER DIRECTEMENT DANS L'AXE DU FAISCEAU.**

## Attention :

Cet appareil ne doit pas être exposé à des éclaboussures ou à des gouttes d'eau et aucun objet rempli de liquide, tel qu'un vase, ne doit être posé sur l'appareil.

## Attention :

Émission de rayon laser visible et invisible de classe 2M en cas d'ouverture ou de neutralisation du dispositif de verrouillage. Ne pas fixer des yeux l'axe du faisceau laser ni le regarder directement avec des instruments optiques.

## Importantes mesures de sécurité

Cet appareil a été conçu et fabriqué pour garantir la sécurité personnelle. Toute utilisation incorrecte peut provoquer un risque de choc électrique ou d'incendie. Les dispositifs de protection intégrés à cet appareil protégeront l'utilisateur, sous réserve de respecter les procédures ci-dessous, lors de l'installation, de l'utilisation et des travaux d'entretien. Les composants internes de cet appareil ne peuvent pas être démontés ou réparés par l'utilisateur.

- Lire ces instructions — Lire et comprendre toutes les instructions de fonctionnement avant d'utiliser l'appareil.
- Conserver ces instructions — Ces instructions de sécurité et de fonctionnement doivent être conservées en lieu sûr afin de pouvoir s'y référer ultérieurement.
- Respecter tous les avertissements — Tous les avertissements figurant sur l'appareil et dans ces instructions doivent être scrupuleusement observés.
- Suivre les instructions — Toutes les instructions de fonctionnement doivent être observées.
- Accessoires — N'utiliser que des outils et des accessoires recommandés par Insignia. L'utilisation d'accessoires inadéquats peut être à l'origine d'accidents.
- Source d'alimentation — Cet appareil doit fonctionner à partir de la source d'alimentation spécifiée sur sa plaque signalétique. En cas d'incertitude sur la tension d'alimentation électrique de la maison, consulter le revendeur ou la compagnie d'électricité.
- Protection du cordon d'alimentation CA — Les cordons d'alimentation CA doivent être acheminés correctement pour éviter qu'ils soient piétinés ou que des objets soient



- posés dessus. Vérifier les fiches du cordon au niveau de la prise secteur et à l'endroit où le cordon se branche à l'appareil.
- **Surcharge** — Ne pas surcharger les prises secteur CA ou les rallonges. Les surcharges de puissance peuvent provoquer des incendies ou des risques d'électrocution.
  - **Introduction d'objets et de liquides** — Ne jamais insérer d'objet dans l'appareil par les ouvertures ou les ouïes de ventilation. Des tensions élevées se trouvent à l'intérieur de l'appareil et l'insertion d'un objet peut provoquer une décharge électrique et endommager des composants électriques. Pour la même raison, ne pas répandre d'eau ou tout autre liquide sur l'appareil.
  - **Réparation** — Ne pas essayer de démonter cet appareil. L'ouverture du boîtier expose l'utilisateur à des tensions élevées et autres dangers. Confier toute réparation à un technicien qualifié.
  - **Réparations** — Si les conditions suivantes se produisent, débrancher le cordon d'alimentation CA de la prise secteur et demander à un technicien qualifié de procéder aux réparations.
    - Lorsque le cordon d'alimentation CA ou la fiche est endommagé;
    - Lorsqu'un liquide s'est déversé sur l'appareil ou que des objets sont tombés à l'intérieur;
    - Si l'appareil a été exposé à la pluie ou à l'eau.
    - Lorsque l'appareil ne fonctionne pas comme décrit dans ces instructions d'utilisation. Ne pas toucher à d'autres commandes que celles décrites dans ces instructions. Un réglage inadéquat des commandes qui ne sont pas décrites dans ces instructions peut être à l'origine de détériorations, qui souvent nécessitent une longue remise en état par un technicien qualifié;
    - Si l'appareil est tombé ou a été endommagé.
    - Si l'appareil n'est plus aussi performant qu'à l'habitude. Toute anomalie sensible de fonctionnement du produit indique que ce dernier nécessite une maintenance.
  - **Pièces de rechange** — Si la réparation de cet appareil nécessite l'utilisation de pièces de rechange, s'assurer que le technicien utilise des pièces spécifiées par le fabricant ou des pièces ayant les mêmes caractéristiques et performances que celles d'origine. L'utilisation de pièces non autorisées peut être à l'origine d'un incendie, d'une décharge électrique et d'autres événements dangereux.
  - **Contrôles de sécurité** — Après avoir terminé les travaux de maintenance ou de réparation, l'utilisateur demandera au technicien de réaliser des contrôles de sécurité afin de s'assurer que l'appareil fonctionne normalement.
  - **Montage sur un mur ou au plafond** — En cas de montage de l'appareil sur un mur ou au plafond, s'assurer de l'installer conformément à la méthode recommandée par le fabricant du dispositif de montage ou de support.
  - **Haut-parleurs** — Débrancher le cordon d'alimentation CA de la prise secteur avant d'installer les haut-parleurs.
  - **Nettoyage** — Débrancher le cordon d'alimentation CA de la prise secteur avant de nettoyer l'appareil. Nettoyer uniquement avec un chiffon sec. Ne pas utiliser de nettoyant liquide ou en aérosol.
  - **Eau et humidité** — Ne pas utiliser cet appareil à proximité d'environnements mouillés ou humides, par exemple à côté d'une baignoire, d'un lavabo, d'un évier, d'un bac à laver, d'une piscine ou dans une cave humide. Ne pas exposer cet appareil aux gouttes d'eau ou aux éclaboussures. Ne pas placer d'objets remplis de liquide sur cet appareil.
  - **Étagères et tables roulantes** — Ne pas placer cet appareil sur une table roulante, un pied, un trépied ou une table instable. Les installations instables risquent de faire tomber l'appareil, pouvant occasionner de graves blessures ainsi que des dégâts à l'appareil. Utiliser uniquement la table roulante, le pied, le trépied, le support ou la table spécifié par Insignia ou vendu avec l'appareil. Lorsqu'une table roulante est utilisée, déplacer l'ensemble appareil/table roulante avec précaution pour éviter les blessures provoquées par une éventuelle chute de l'appareil.
  - **Ventilation** — Les aérations et les autres ouvertures du boîtier sont conçues pour la ventilation. Ne pas les couvrir ni les obstruer, sinon une ventilation insuffisante pourrait provoquer une surchauffe et réduire la durée d'utilisation de l'appareil. Ne pas placer l'appareil sur un lit, un sofa, un tapis ou une autre surface molle susceptible d'obstruer les ouvertures d'aération. Cet appareil n'est pas conçu pour être installé dans un meuble encastré. Ne pas installer l'appareil dans un espace clos, tel qu'une bibliothèque ou sur une étagère, sauf si une ventilation adéquate a été prévue et que les instructions du fabricant ont été scrupuleusement respectées.
  - **Fragile** — Le panneau ACL utilisé dans cet appareil est fabriqué en verre et peut facilement se briser si l'appareil tombe ou reçoit un choc. Si le panneau se casse, faire extrêmement attention de ne pas se blesser avec le verre brisé.
  - **Pixels morts** — Le panneau ACL contient presque 3 millions de transistors en couches minces, ce qui fournit une qualité vidéo d'une netteté exceptionnelle. Il peut arriver que des pixels morts apparaissent à l'écran sous forme de points bleus, verts ou rouges. Ces pixels morts ne nuisent pas aux performances de l'appareil et ne sont pas considérés comme des défauts.
  - **Sources de chaleur** — Installer l'appareil à l'écart de sources de chaleur, telles que radiateurs, bouches de chaleur, fours, amplificateur ou autres appareils qui produisent de la chaleur.

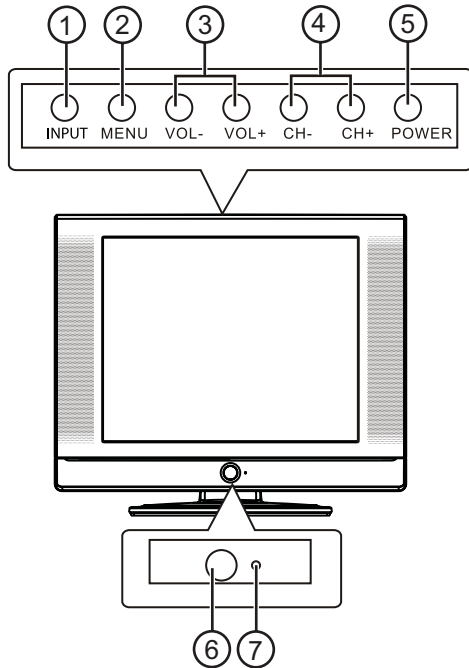
## Fonctionnalités

### Accessoires

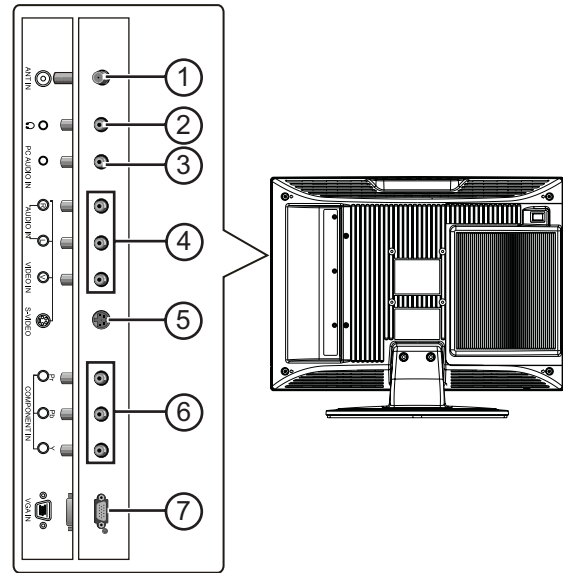
Vérifier que les accessoires suivants sont fournis dans l'emballage :

- Télécommande
- Piles (deux - AA)
- Guide de l'utilisateur

### Vue avant



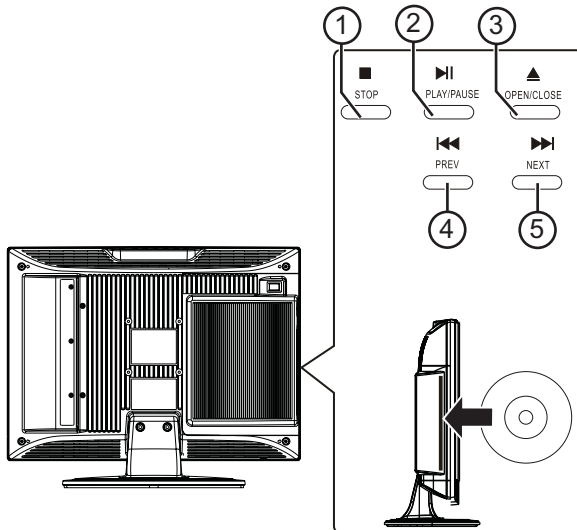
### Vue arrière - connecteurs



Élément	Description
1	Connecteur d'antenne RF (75 ohms)
2	Prise de casque d'écoute
3	Prise d'entrée audio PC
4	Prises d'entrée vidéo composite/audio
5	Prise d'entrée S-Vidéo
6	Prises d'entrée composantes (YPbPr)
7	Prise d'entrée vidéo (PC) VGA

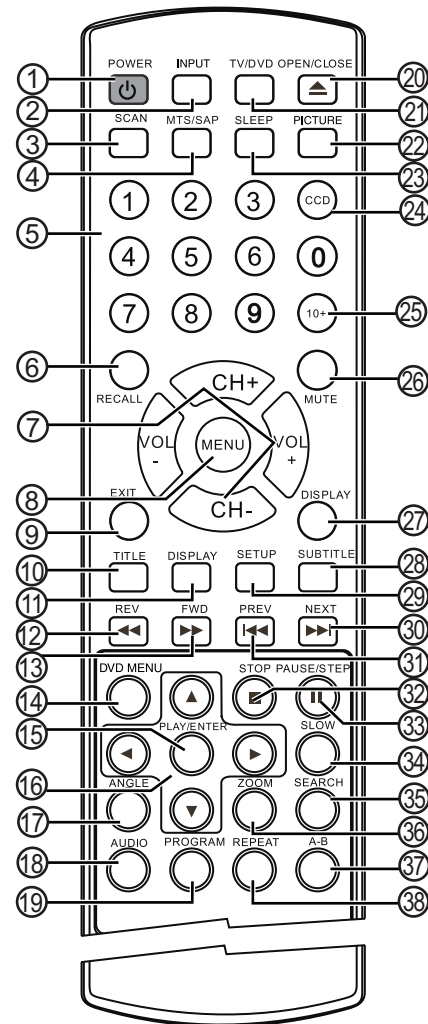
Élément	Description
1	Touche <b>ENTRÉE</b> . Permet de sélectionner le signal d'entrée AV parmi TV, AV, S-VIDÉO, PC, COMPOSANTES et DVD.
2	Touche <b>MENU</b> . Permet d'accéder au menu d'écran.
3	Touches <b>VOL -/+</b> . Permettent de diminuer ou d'augmenter le volume sonore.
4	Touches <b>CH -/+</b> . Permettent de changer le canal.
5	Touche <b>MARCHE/ARRÊT</b> . Permet de mettre le téléviseur sous et hors tension.
6	Capteur de télécommande. Reçoit les signaux de la télécommande.
7	Témoin DEL d'alimentation. S'allume en vert lorsque le téléviseur est sous tension et en rouge lorsqu'il est en mode attente

## Vue arrière - lecteur de DVD



Élément	Description
1	■ touche <b>ARRÊT</b> Permet d'arrêter la lecture du disque.
2	▶   touche <b>LECTURE/PAUSE</b> L'appuyer pour commencer la lecture, l'appuyer de nouveau pour interrompre momentanément la lecture, puis de nouveau pour la reprendre.
3	▲ touche <b>OUVRIR/FERMER</b> Permet d'ouvrir le plateau à disque. Appuyer de nouveau sur cette touche pour fermer le plateau.
4	◀◀ touche <b>PREV</b> (Précédent). Permet de revenir à la piste ou au chapitre précédent. L'appuyer de nouveau pour revenir en arrière par chapitre ou piste.
5	▶▶ touche <b>NEXT</b> (Suivant). Permet de passer à la piste ou au chapitre suivant. L'appuyer de nouveau pour aller au chapitre ou à la piste suivante.

## Télécommande



Élément	Description
1	⏻ touche <b>MARCHE/ARRÊT</b> . Permet d'allumer et d'éteindre le téléviseur.
2	Touche <b>ENTRÉE</b> . Permet de sélectionner le signal d'entrée AV parmi TV, AV, S-Vidéo, PC, COMPOSANTES et lecteur de DVD.
3	Touche de <b>BALAYAGE</b> . Permet de parcourir les canaux télévisés mémorisés.
4	Touche <b>MTS/SAP</b> (Stéréo/Seconde trame sonore). Permet de sélectionner le mode Stereo (Stéréo), Mono ou SAP.
5	Touches numériques : Elles permettent de saisir directement des numéros de canaux, de chapitres de DVD et de pistes de CD.
6	Touche <b>RAPPEL</b> . En mode TV, cette touche permet de revenir au canal précédent.
7	Touches <b>CH +/-</b> . Permettent de passer au canal précédent ou suivant en mode TV. Dans les autres modes (à l'exception du mode lecteur de DVD), elles permettent de passer en mode TV. Touches <b>VOL +/-</b> . Permettent de modifier le volume sonore.
8	Touche <b>MENU</b> . Permet d'afficher le menu TV. L'appuyer de nouveau pour sortir.
9	Touche <b>QUITTER</b> . Permet de quitter les menus d'écran.
10	Touche <b>TITRE</b> . Permet d'afficher le titre du DVD en cours de lecture.

Élément	Description
11	Touche <b>AFFICHAGE</b> . Permet d'afficher l'information sur le DVD en cours de lecture.
12	◀◀ touche <b>REV</b> (Retour arrière). Permet le retour rapide d'un DVD.
13	▶▶ touche <b>FWD</b> (Avance rapide). Permet l'avance rapide d'un DVD.
14	Touche <b>MENU DVD</b> . Appuyer sur cette touche pour ouvrir le menu racine du DVD.
15	Touche <b>LECTURE/ENTRÉE</b> . Permet de commencer la lecture du disque ou en mode menu de confirmer les sélections.
16	Touches de déplacement ◀ / ▶ / ▲ / ▼ : Permettent de parcourir les menus d'écran.
17	Touche <b>ANGLE</b> . Permet de changer l'angle de prise de vues d'un DVD.
18	Touche <b>AUDIO</b> . Permet de changer les options/la langue audio du DVD.
19	Touche <b>PROGRAMMATION</b> Pour entrée en mode de programmation de DVD. En mode CD, cette touche permet de basculer entre « Folder » (Dossier) et « Filelist » (Liste de fichiers). Folder signifie la lecture des pistes du dossier en cours et Filelist signifie la lecture de toutes les pistes du disque.
20	▲ touche <b>OUVRIR/FERMER</b> . Permet d'ouvrir ou fermer le plateau à disque.
21	Touche <b>TV/DVD</b> . Permet de basculer entre les entrées en cours et le mode DVD.
22	Touche <b>IMAGE</b> . Permet de basculer entre les différents modes d'image (Personal [Personnalisé], Standard, Mild [Doux] et Fresh [Vif]).
23	Touche <b>ARRÊT DIFFÉRÉ</b> . Permet de régler l'arrêt différé de l'appareil.
24	Touche <b>CCD</b> (Sous-titres codés). Permet de sélectionner les modes de sous-titres codés en mode TV.
25	Touche <b>10+</b> . Si le numéro de la piste ou de canal est supérieur à 10, appuyer une fois sur cette touche, puis sur une touche entre 1 et 9.
26	Touche <b>SOURDINE</b> . Permet de mettre le son en sourdine.
27	Touche <b>AFFICHAGE</b> . Permet d'afficher les informations sur le canal TV.
28	Touche <b>SOUS-TITRES</b> . L'appuyer de façon répétée pour sélectionner la langue des sous-titres souhaitée.
29	Touche <b>CONFIGURATION</b> . Permet d'accéder au menu de configuration du DVD.
30	▶▶  touche <b>NEXT</b> (Suivant). Permet de passer à la piste ou au chapitre suivant. L'appuyer de nouveau pour aller au chapitre ou à la piste suivante.
31	◀◀  touche <b>PREV</b> (Précédent). Permet de revenir à la piste ou au chapitre précédent. L'appuyer de nouveau pour revenir en arrière par chapitre ou piste.

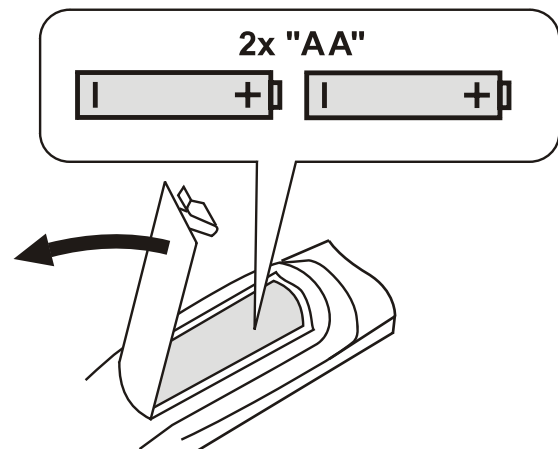
Élément	Description
32	■ touche <b>ARRÊT</b> . Permet d'arrêter la lecture du DVD ou du CD.
33	touche <b>PAUSE/IMAGE PAR IMAGE</b> . Permet d'interrompre momentanément la lecture du DVD. L'appuyer une deuxième fois pour faire avancer le DVD image par image.
34	Touche <b>RALENTI</b> . Permet de réduire la vitesse de lecture du DVD.
35	Touche <b>RECHERCHE</b> . Permet d'accéder au mode de recherche du DVD.
36	Touche <b>ZOOM</b> . Permet d'effectuer un zoom avant de l'image du DVD.
37	Touche <b>A-B</b> . Permet de répéter une partie sélectionnée d'un DVD.
38	Touche <b>RÉPÉTITION</b> . Permet d'accéder au mode répétition du DVD.

## Installation du téléviseur

### Installation des piles de la télécommande

#### Pour installer les piles :

- 1 Ouvrir le compartiment des piles au dos de la télécommande.

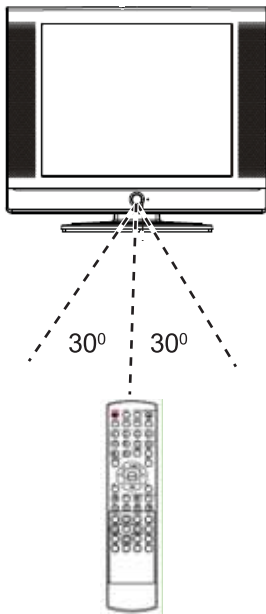


- 2 Insérer deux piles AA (fournies) dans le compartiment. Vérifier que les symboles (+) et (-) sur les piles coïncident avec le schéma à l'intérieur du compartiment.

## Utilisation de la télécommande

### Pour utiliser la télécommande :

- La pointer directement vers le téléviseur, avec un angle inférieur à 30° par rapport au capteur infrarouge sur le devant du téléviseur, et à moins de 20 pieds (6,10 m).



#### Remarque

Des objets entre la télécommande et le capteur peuvent affaiblir le signal infrarouge de la télécommande.

La portée peut être réduite si le soleil éclaire directement le capteur infrarouge du téléviseur.

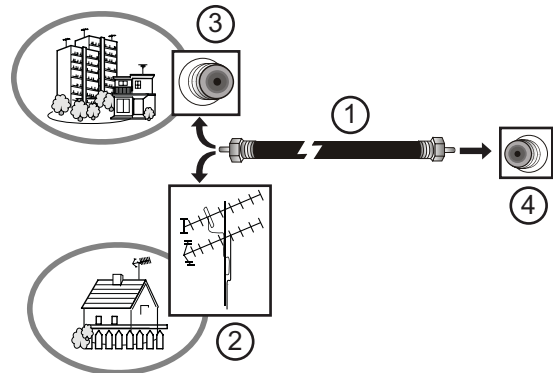
#### Avertissements

Ne pas exposer la télécommande à des liquides, au soleil ou à des chocs.

La télécommande peut ne pas fonctionner correctement si le capteur infrarouge du téléviseur reçoit directement la lumière du soleil ou un éclairage important. Dans ce cas, modifier l'angle de l'éclairage ou de l'écran du téléviseur ou rapprocher la télécommande du capteur infrarouge.

## Connexion à des sources vidéo

### Connexion à une antenne ou à un récepteur câble/satellite



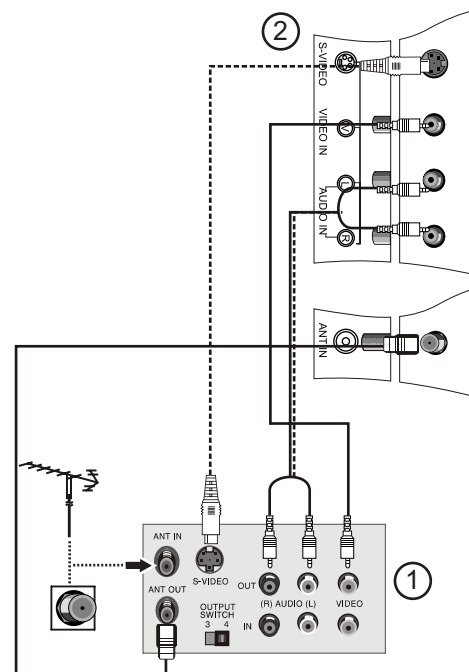
### Pour connecter une antenne externe ou un récepteur câble/satellite :

- 1 Connecter le câble d'antenne (1) d'une antenne (2) ou d'un récepteur câble/satellite (3) à la prise d'entrée d'antenne (4) du téléviseur.
- 2 Appuyer **INPUT** (Entrée) pour régler le signal d'entrée du téléviseur sur **TV**.

#### Remarques

- Pour améliorer la qualité de l'image dans les zones à signal faible, il est possible de se procurer et d'installer un amplificateur de signal.
- Pour séparer le signal d'une antenne, un séparateur de signaux à deux voix sera nécessaire.

### Connexion à un magnétoscope ou à une autre source AV



### Pour connecter le téléviseur à un magnétoscope ou à une source AV :

- 1 Mettre le téléviseur et le magnétoscope hors tension (ou toute autre source).

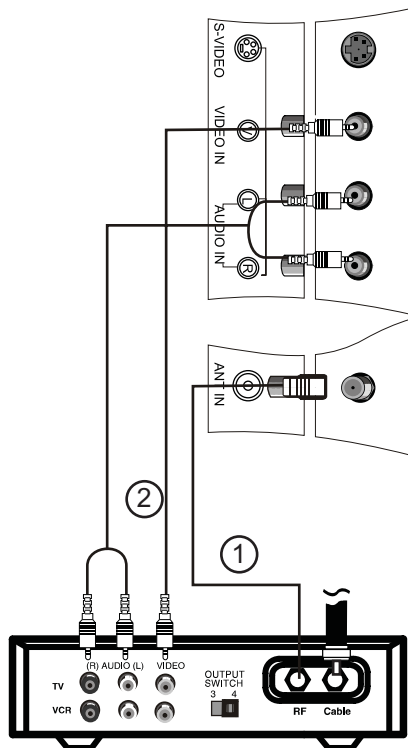
- 2 Connecter un câble vidéo RCA au magnétoscope (1), et à la prise VIDEO IN à l'arrière du téléviseur (2).

- OU -

Connecter un câble S-vidéo au magnétoscope et à la prise S-VIDEO à l'arrière du téléviseur.

- 3 Connecter les câbles audio RCA aux prises de sortie audio du magnétoscope et aux prises AUDIO G et D à l'arrière du téléviseur.
- 4 Mettre le téléviseur et le magnétoscope sous tension.
- 5 Régler la sortie du magnétoscope sur le canal 3 ou 4 et régler ensuite le téléviseur sur le même canal.
- 6 Appuyer sur **INPUT** (Entrée) pour définir l'entrée du signal TV sur **AV** ou sur **S-VIDEO**.

### Connexion à un décodeur



#### Pour connecter le téléviseur à un décodeur, avec un câble HF (1) :

- 1 Mettre hors tension le téléviseur et le décodeur.
- 2 Connecter un câble HF 75 ohms entre le décodeur et la prise ANT IN à l'arrière du téléviseur.
- 3 Régler la sortie du décodeur sur le canal 3 ou 4 et régler ensuite le téléviseur sur le même canal.
- 4 Mettre sous tension le téléviseur et le décodeur.
- 5 Changer les canaux sur le décodeur ou au moyen de sa télécommande.

#### Pour connecter le téléviseur à un décodeur avec les câbles AV (2) :

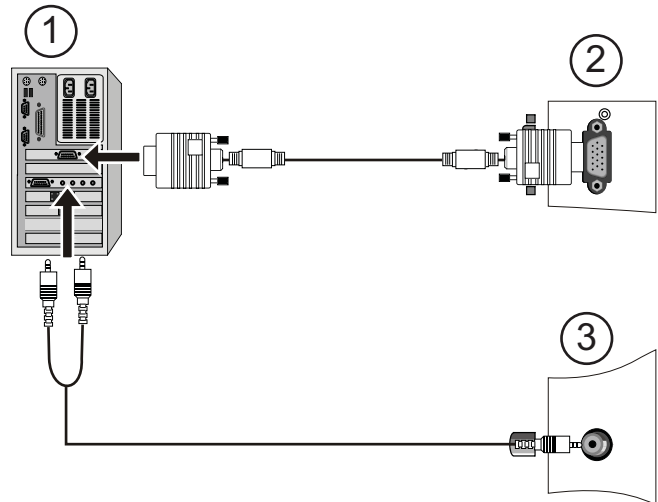
- 1 Mettre hors tension le téléviseur et le décodeur.

- 2 Connecter les câbles audio et vidéo RCA entre le décodeur et les prises VIDEO et AUDIO IN à l'arrière du téléviseur.

- Jaune — Vidéo
- Blanc — Audio gauche
- Rouge — Audio droite

- 3 Mettre sous tension le téléviseur et le décodeur.
- 4 Appuyer sur **INPUT** (Entrée) pour définir l'entrée du signal TV sur **AV** ou sur **S-VIDEO**.
- 5 Changer les canaux sur le décodeur ou au moyen de sa télécommande.

### Connexion à un ordinateur



#### Pour connecter une source vidéo provenant d'un ordinateur aux prises VGA :

- 1 Connecter un câble VGA entre l'ordinateur et le port **VGA IN** (Entrée VGA) sur le téléviseur.
- 2 Connecter un câble audio mâle-mâle entre l'ordinateur et le port **PC AUDIO IN** (Entrée audio du PC) sur le téléviseur.
- 3 Mettre le téléviseur sous tension, puis le PC.
- 4 Appuyer sur **INPUT** (Entrée) pour définir l'entrée du signal TV sur **PC**.

Voir « RÉGLAGE » à la page 38 pour régler l'image.

## Utilisation du téléviseur

### Mise sous et hors tension de l'appareil

#### Pour mettre l'appareil sous et hors tension :

- 1 Appuyer sur **POWER** (Marche/Arrêt) du panneau avant du téléviseur ou de la télécommande. Le témoin **POWER** devient vert.
- 2 Pour éteindre le téléviseur, appuyer de nouveau sur **POWER**. L'image à l'écran disparaît et le témoin **POWER** devient rouge.

#### Remarque

Une petite quantité d'électricité est consommée même lorsque l'appareil est éteint.

## Réglage du volume

Le volume sonore peut être ajusté à l'aide de la télécommande ou sur le panneau avant du téléviseur.

### Pour modifier le volume sonore :

- 1 Appuyer sur **VOL+** ou sur **VOL-**.
- 2 Appuyer sur **MUTE** (Sourdine) de la télécommande pour mettre le son en sourdine et une deuxième fois (ou sur **VOL+** ou **VOL-**) pour le rétablir.

## Changement de source vidéo

Le téléviseur peut accepter des sources vidéo multiples.

### Pour sélectionner la source vidéo :

- Appuyer sur **INPUT** (Entrée) pour sélectionner parmi les modes d'entrée suivants :
  - **TV**
  - **AV**
  - **S-VIDEO**
  - **PC**
  - **COMPONENT (Composantes)**
  - **DVD**

Le nom de la source d'entrée apparaît à l'écran lors de sa sélection.

## Changement de canal

### Pour changer de canal :

- Appuyer sur **CH+** ou **CH-**.

### Pour entrer un numéro de canal directement :

- Appuyer sur les touches numériques de la télécommande.

### Pour basculer entre deux canaux :

- 1 Appuyer sur **RECALL** (Rappel) pour passer du canal en cours à celui précédemment choisi.
- 2 Appuyer de nouveau sur **RECALL** pour revenir au canal initialement syntonisé.

### Pour effectuer un choix parmi les canaux mémorisés :

- 1 Appuyer sur **SCAN** de la télécommande. L'image se gèle pendant environ deux secondes sur chaque canal mémorisé.
- 2 Pour désactiver la fonction Scan (balayage), appuyer de nouveau sur **SCAN**.

## Modification du mode d'image

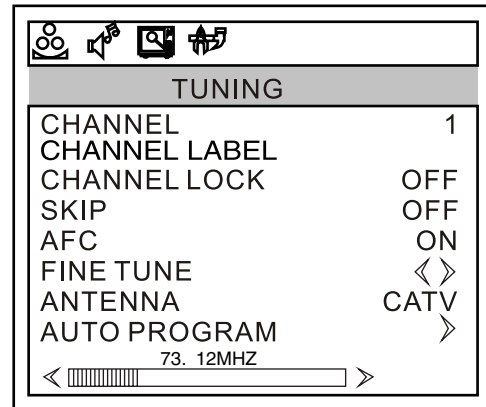
### Pour modifier le mode d'image :

- Appuyer sur **PICTURE** (Image) de la télécommande pour naviguer parmi les modes suivants :
  - **PERSONAL (Personnalisé)**
  - **STANDARD**
  - **MILD (Doux)**
  - **FRESH (Vif)**

## Mémorisation des canaux

### Pour mémoriser automatiquement des canaux :

- 1 Appuyer sur **MENU** du téléviseur ou de la télécommande, puis sur **VOL+/VOL-** pour afficher le menu *TUNING* (syntonisation).



- 2 Appuyer sur **CH+/CH-** pour accéder au menu *TUNING* (Syntonisation) et mettre en surbrillance **AUTO PROGRAM**, puis sur **VOL+** pour accéder au sous-menu *AUTO PROGRAM*.



- 3 Appuyer sur **VOL+** et mettre en surbrillance **YES** (Oui), puis sur **MENU** pour confirmer la sélection.
- 4 Le téléviseur recherche et mémorise tous les canaux sur l'entrée antenne sélectionnée et disponibles localement.

#### Remarque

Si le téléviseur est connecté au câble, sélectionner **CATV** (TV câblée) dans le sous-menu *ANTENNA* (Antenne).

- 5 Pour arrêter la recherche automatique, appuyer sur **MENU**.

## Affichage des informations d'état

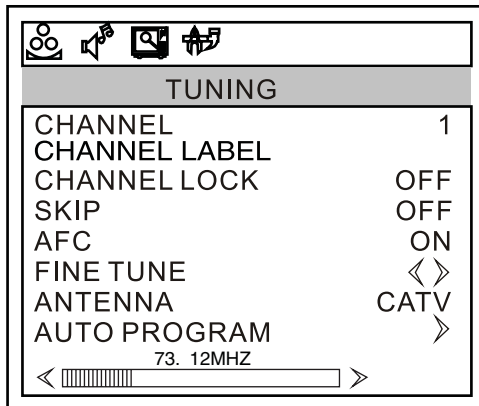
### Pour afficher les informations d'état :

- Appuyer sur **DISPLAY** (Affichage). Le téléviseur affiche les informations d'état, telles que le numéro de canal ou la source du signal.

## Ajout d'une étiquette à un canal

Pour ajouter une étiquette à un canal :

- 1 Appuyer sur **MENU** du téléviseur ou de la télécommande, puis sur **VOL+/VOL-** pour afficher le menu *TUNING* (Syntonisation).



- 2 Appuyer sur **CH+/CH-** pour accéder au menu *TUNING* et mettre en surbrillance **CHANNEL LABEL** (Étiquette d'un canal), puis sur **VOL+** pour accéder au sous-menu.
- 3 Appuyer sur **VOL +** ou sur **VOL-** pour sélectionner la position et sur **CH+/CH-** pour sélectionner les lettres ou les symboles à définir.
- 4 Appuyer sur **MENU** pour confirmer.

## Réglage de l'arrêt différé

L'arrêt différé permet de sélectionner la durée avant la mise automatique de l'appareil hors tension.

Pour régler l'arrêt différé :

- Appuyer plusieurs fois sur **SLEEP** (Arrêt différé) jusqu'à ce que la durée souhaitée s'affiche à l'écran. Les options comprennent :
  - **SLEEP 240 MIN**
  - **SLEEP 180 MIN**
  - **SLEEP 120 MIN**
  - **SLEEP 90 MIN**
  - **SLEEP 60 MIN**
  - **SLEEP 45 MIN**
  - **SLEEP 30 MIN**
  - **SLEEP 15 MIN**
  - **SLEEP 10 MIN**
  - **SLEEP 5 MIN**
  - **SLEEP 0 MIN**

## Visualisation des sous-titres codés

Pour visualiser les sous-titres codés :

- Appuyer sur **CCD** pour activer ou de désactiver les sous-titres codés.

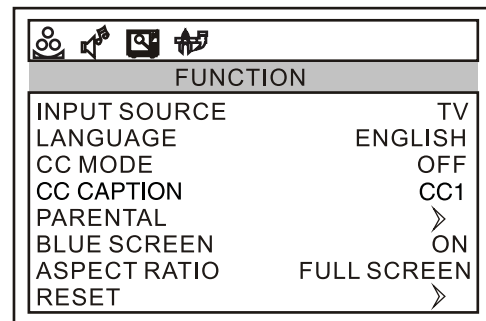
## Configuration du contrôle parental

L'appareil est doté d'une puce antiviolenace (V-chip) qui permet de contrôler l'accès à certaines émissions par les enfants. Le contrôle parental inclut deux classifications : MPAA (en fonction de l'âge) et les directives parentales TV (en fonction de l'âge et du contenu). Un programme TV pouvant utiliser soit les niveaux MPAA ou les directives parentales TV, les deux classifications doivent être réglées pour un contrôle total.

Avant de sélectionner les classifications, il est nécessaire de configurer le mot de passe du contrôle parental.

Pour configurer un mot de passe :

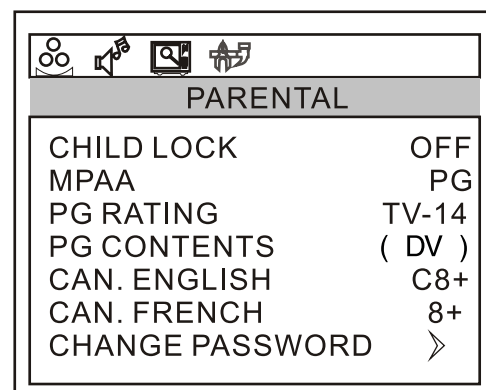
- 1 Appuyer sur **MENU** du téléviseur ou de la télécommande, puis sur **VOL+/VOL-** pour afficher le menu *FUNCTION*.



- 2 Appuyer sur **CH+/CH-** pour accéder au menu *FUNCTION* et mettre en surbrillance **PARENTAL**, puis sur **VOL+** pour accéder au sous-menu *PARENTAL*. La boîte de dialogue *PASSWORD* (Mot de passe) s'affiche.



- 3 Appuyer sur les touches numériques pour saisir **0000**. Le menu *PARENTAL* s'affiche.



- 4 Appuyer sur **CH+/CH-** pour sélectionner *CHANGE PASSWORD* (Modifier le mot de passe), puis sur **VOL+** pour accéder au sous-menu *CHANGE PASSWORD*.
- 5 Appuyer sur les touches numériques pour saisir un mot de passe.



- 6 Appuyer sur les touches numériques pour ressaisir le nouveau mot de passe pour confirmation.

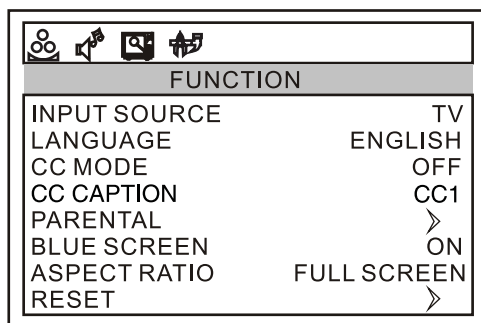
**Attention**  
Prendre note du mot de passe et en conserver trace pour référence ultérieure.

**Remarque**  
En cas d'oubli du mot de passe, entrer 9443 comme ancien mot de passe, puis saisir un nouveau mot de passe. Ce mot de passe est toujours valable pour la réinitialisation du mot de passe.

### Configuration du niveau de Contrôle parental

#### Pour configurer le niveau de Contrôle parental :

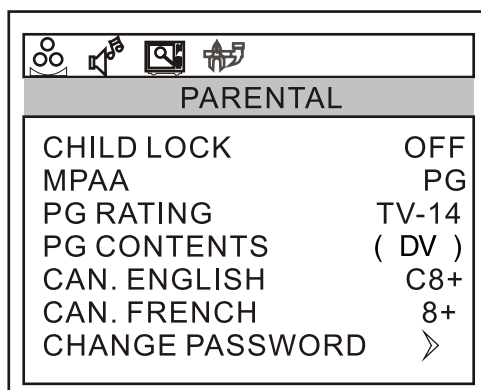
- 1 Appuyer sur **MENU** du téléviseur ou de la télécommande, puis sur **VOL+/VOL-** pour afficher le menu *FUNCTION*.



- 2 Appuyer sur **CH+/CH-** pour accéder au menu *FUNCTION* et mettre en surbrillance **PARENTAL**, puis sur **VOL+** pour accéder au sous-menu *PARENTAL*. La boîte de dialogue *PASSWORD* (Mot de passe) s'affiche.

PASSWORD ----

- 3 Appuyer sur les touches numériques pour saisir le mot de passe. Le menu *PARENTAL* s'affiche.



- 4 Appuyer sur **CH+/CH-** pour sélectionner l'option devant être modifiée, puis sur **VOL+/VOL-** pour changer l'option.
- 5 Appuyer sur **MENU** ou **EXIT** (Quitter) pour fermer le menu.

### Classifications américaines MPA

Classification	Description
AUCUNE ou NON CLASSIFIÉ	Non classifié.
G	Tout public.
PG	Surveillance parentale suggérée. Certains aspects peuvent ne pas convenir à des enfants.
PG13	Surveillance parentale fortement suggérée. Certains aspects peuvent être totalement inappropriés pour des enfants de moins de 13 ans.
R	Réservé aux adultes. Interdit aux mineurs de moins de 17 ans ou accompagnement par un adulte requis.
NC17	Déconseillé aux enfants de moins de 17 ans.
X	Pour adultes uniquement.
OFF (Désactivés)	Pas de contrôle.

### Classifications canadiennes MPA

Classification	Description
E	Exempté - comprend les actualités, le sport, les documentaires, les émissions-débats.
C*	Enfants (anglais)
G**	Enfants (français)
8+**	Enfants de 8 ans et plus (français)
C8+*	Enfants de 8 ans et plus (anglais)
G*	Tous publics (anglais)
PG	Surveillance parentale suggérée.
13+**	Enfants de 13 ans et plus (français)
14+*	Enfants de 14 ans et plus (anglais)
16+**	Enfants de 16 ans et plus (français)
18+	Programmation pour adultes
OFF (Désactivés)	Pas de contrôle.

\* Can. En anglais uniquement

\*\* Can. En français seulement

### Classifications des directives parentales TV

Classification	Description
AUCUNE ou NON CLASSIFIÉ	Non classifié.
TV-Y	Enfants de tous âges.
TV-Y7	Enfants de 7 ans et plus.
TV-G	Tout public.
TV-PG	Surveillance parentale suggérée.
TV-14	Parents sérieusement mis en garde.
TV-MA	Adultes seulement.

Certaines des classifications des directives parentales TV basées sur une tranche d'âge spécifique ont aussi un classement PG en fonction du contenu.

Classification
VIOLENCE FICTIVE.
DIALOGUE
LANGAGE.
SEXE
VIOLENCE.

## Utilisation du lecteur de DVD

### Lecture d'un DVD

#### Pour lire un DVD :

- 1 Appuyer sur **POWER** (Marche/Arrêt) pour mettre le téléviseur sous tension.
- 2 Appuyer sur **TV/DVD** pour sélectionner **DVD**.
- 3 Appuyer sur **OPEN/CLOSE** (Ouvrir/fermer) pour ouvrir le plateau à disque.
- 4 Placer le DVD sur le plateau et appuyer sur **OPEN/CLOSE** (Ouvrir/fermer) pour refermer le plateau. Le lecteur de DVD lit le DVD et affiche le menu d'introduction.
- 5 Appuyer sur **▲** et **▼** pour mettre en surbrillance les éléments du menu, puis sur **▶|| PLAY/PAUSE** (Lecture/pause) sur le lecteur ou sur **PLAY/ENTER** (Lecture/Entrée) sur la télécommande, pour effectuer la sélection.
- 6 Pendant la lecture :
  - Appuyer sur **▶|| PLAY/PAUSE** du lecteur ou sur **|| PAUSE/STEP** de la télécommande pour mettre la lecture en pause. Appuyer sur **▶|| PLAY/PAUSE** du lecteur ou sur **PAUSE/ ENTER** de la télécommande pour reprendre la lecture.
  - Appuyer sur **◀◀** pour effectuer un retour arrière rapide, puis sur **▶▶** pour une avance rapide. Lors de chaque appui sur retour rapide ou sur avance rapide, la vitesse change.
  - Appuyer sur **◀◀** pour passer au chapitre précédent, puis sur **▶▶** pour passer au chapitre suivant. Appuyer plusieurs fois pour continuer de revenir en arrière ou d'avancer.
  - Pour une lecture image par image, appuyer sur **|| PAUSE/STEP** et ensuite de nouveau sur **|| PAUSE/STEP**. Chaque fois que la touche **PAUSE/STEP ||** est appuyée, le film avance d'une image.
  - Pour une lecture au ralenti, appuyer sur **SLOW** (Ralenti).

- Pour rechercher une scène particulière, appuyer sur **SEARCH** (Recherche) pour accéder au menu **SEARCH** et appuyer ensuite sur les touches numérotées pour indiquer la scène souhaitée.
  - Pour arrêter complètement la lecture d'un DVD, appuyer deux fois sur **STOP**.
- 7 Appuyer sur **OPEN/CLOSE** (Ouvrir/fermer) pour retirer le DVD.

### Accès au menu principal du DVD

#### Pour accéder au menu principal du DVD :

- 1 Appuyer sur **DVD MENU** de la télécommande.
- 2 Sélectionner et modifier les options souhaitées.

#### Remarque

Cette fonction n'est pas disponible sur les DVD avec des menus multi-couches.

### Affichage de l'information sur le DVD

#### Pour afficher l'information sur le DVD :

- Appuyer plusieurs fois sur **DISPLAY** (Affichage) de la télécommande pour naviguer parmi *Title Elapsed*, *Title Remain*, *Chapter Elapsed*, *Chapter Remain* et *Display Off* (Durée écoulée du titre, durée restante du titre, durée écoulée du chapitre, durée restante du chapitre et extinction de l'affichage).

### Sélection de la langue des sous-titres

Si le DVD a été créé avec des sous-titres, il est possible de changer la langue de ces sous-titres.

#### Pour changer la langue des sous-titres :

- 1 Appuyer plusieurs fois sur **SUBTITLE** (Sous-titres) jusqu'à obtention de la langue souhaitée.
- 2 Pour supprimer les sous-titres, appuyer sur **SUBTITLE** (Sous-titres) jusqu'à l'affichage de « Off » (Désactivés).

#### Remarque

Le changement de langue de sous-titrage au moyen de cette méthode ne s'applique qu'au DVD en cours de lecture. Lors du retrait du DVD ou de la mise hors tension du lecteur, la langue de sous-titrage revient à celle définie dans le menu principal du lecteur de DVD.

#### Conseil

Il est également possible de modifier la langue des sous-titres depuis le menu principal du lecteur de DVD ou au moyen des réglages de sous-titrage du DVD lui-même.

### Lecture en boucle

Il est possible de répéter des chapitres, des titres ou la totalité d'un DVD en effectuant une lecture en boucle.

#### Pour répéter un segment :

- 1 Pendant la lecture du DVD, appuyer sur **REPEAT** pour faire défiler les options.
  - **Chapter** [Chapitre] (répète le chapitre en cours)
  - **Title** [Titre] (répète le titre en cours)
  - **All** [Tout] (répète tout le contenu du DVD)

- 2 Pour arrêter la lecture en boucle, effectuer l'une des opérations suivantes :
  - Appuyer sur **REPEAT** jusqu'à ce que « ALL » (Tout) disparaisse de l'écran.
  - Appuyer deux fois sur **STOP**.
  - Éjecter le DVD.

#### Pour répéter des segments d'un DVD :

- 1 Définir un point de démarrage en appuyant sur **A-B**.
- 2 Définir un point de fin de lecture en appuyant de nouveau sur **A-B**.
- 3 Le lecteur lit du point A au point B.
- 4 Pour désactiver la fonction de répétition, appuyer de nouveau sur **A-B**.

#### Changement de l'angle de prise de vues

Certains DVD contiennent des prises de vue sous plusieurs angles d'une scène ou d'une séquence. Si le DVD ne contient qu'un seul angle, cette fonctionnalité n'est pas disponible.

#### Pour changer l'angle de prise de vues :

- 1 Appuyer plusieurs fois sur **ANGLE** jusqu'à la sélection de l'angle de prise de vues souhaité.
- 2 Pour reprendre la lecture normale, appuyer sur **ANGLE** jusqu'à ce que l'angle de prise de vues d'origine soit sélectionné.

#### Agrandissement de l'image

Il est possible d'agrandir ou de réduire l'image affichée pendant la lecture du DVD ou lors d'un arrêt momentané de la lecture.

#### Pour agrandir l'image :

- 1 Pendant la lecture d'un DVD, appuyer sur **ZOOM**. L'image est agrandie 2x. Continuer à appuyer sur **ZOOM** pour agrandir l'image jusqu'à 3x et 4x.
  - Lorsque l'image est agrandie, appuyer sur ▲ ▼ et ◀ ▶ pour déplacer l'image à l'écran.
- 2 Pour revenir aux dimensions normales de l'image, appuyer sur **ZOOM** jusqu'à ce que l'image revienne à la normale.

#### Lecture programmée

Pour lire des chapitres et des titres dans un ordre personnalisé, il est nécessaire de créer un programme de lecture.

#### Pour programmer la lecture :

- 1 Appuyer sur **PROGRAM** pendant la lecture d'un disque pour passer au mode Programme.
- 2 Appuyer sur les touches numériques de la télécommande pour saisir le titre et le chapitre à lire en premier. Le numéro du titre et du chapitre saisi apparaît dans la boîte de dialogue.
- 3 Le curseur saute à la case suivante dans la section de la liste des programmes. Vérifier que la boîte est en surbrillance et saisir le titre et le chapitre suivants.
- 4 Continuer d'ajouter des titres et des chapitres jusqu'à ce que le programme soit complet.

- 5 Mettre en surbrillance Démarrage, puis appuyer sur **PLAY/ENTER** (Lecture/Entrée) pour commencer la lecture du programme.
- 6 Pour arrêter la lecture programmée, appuyer deux fois sur ■ **STOP** (Arrêt) pendant la lecture du programme.

#### Modification des options audio

Si le DVD a été créé avec plusieurs pistes de langues (enregistrées dans des langues différentes), ou avec des options audio multiples, il est possible de changer temporairement les réglages de l'audio du lecteur DVD.

#### Pour modifier les options de l'audio :

- 1 Appuyer sur **AUDIO**. L'OSD affiche les paramètres en cours de l'audio.
- 2 Si plusieurs options audio sont disponibles, appuyer de nouveau sur **AUDIO** pour sélectionner la piste audio suivante.

#### Remarque

Cette fonction n'est disponible que si le DVD a été créé avec plusieurs pistes audio. Lors de la sélection d'une langue audio, le réglage de langue audio dans le menu principal du lecteur DVD n'est suspendu que temporairement.

Permettre un intervalle de trois secondes entre les sélections.

#### Conseil

Il est également possible de modifier la langue audio depuis le menu principal du lecteur de DVD ou au moyen des réglages audio du DVD lui-même.

#### Lecture d'un CD

#### Pour lire un CD :

- 1 Appuyer sur **POWER** (Marche/Arrêt) pour mettre le lecteur sous tension.
- 2 Appuyer sur **TV/DVD** pour sélectionner DVD.
- 3 Appuyer sur ▲ **OPEN/CLOSE** (Ouvrir/fermer) pour ouvrir le plateau à disque.
- 4 Placer le CD sur le plateau et appuyer sur ▲ **OPEN/CLOSE** pour refermer le plateau. Le lecteur de DVD commence à lire le CD.
- 5 Pendant la lecture :
  - Appuyer sur ▶|| **PLAY/PAUSE** du lecteur ou sur || **PAUSE/STEP** de la télécommande pour mettre la lecture en pause. Appuyer sur ▶|| **PLAY/PAUSE** du lecteur ou sur **PLAY/ENTER** de la télécommande pour reprendre la lecture.
  - Appuyer sur ◀◀ pour effectuer un retour en arrière rapide et sur ▶▶ pour une avance rapide.
  - Appuyer sur ◀◀◀ pour revenir au chapitre précédent et sur ▶▶▶ pour passer au chapitre suivant. Appuyer plusieurs fois pour continuer de revenir en arrière ou d'avancer.
  - Pour arrêter complètement la lecture d'un CD, appuyer deux fois sur ■ **STOP**.
- 6 Appuyer sur ▲ **OPEN/CLOSE** (Ouvrir/fermer) pour retirer le CD.

## Lecture en boucle

Il est possible de répéter des pistes ou la totalité d'un CD en effectuant une lecture en boucle.

### Pour effectuer une lecture en boucle :

- 1 Pendant la lecture du CD, appuyer sur **REPEAT** (Répéter) pour faire défiler les options.
  - Single (Unique) - (lecture de la piste en cours)
  - Repeat One (Répéter une fois) – (répétition de la piste en cours)
  - Repeat Folder (Répéter le dossier) - (répétition du dossier en cours)
  - Folder (dossier) - (lecture du dossier en cours)
- 2 Pour arrêter la lecture en boucle, effectuer l'une des opérations suivantes :
  - Appuyer sur **REPEAT** jusqu'à ce que « Folder » (dossier) disparaisse de l'écran.
  - Appuyer deux fois sur **STOP**.
  - Éjecter le CD.

## Changement de mode audio

### Pour changer la sortie audio d'un CD multicanal :

- Pendant la lecture d'un CD, appuyer sur **AUDIO**. Le réglage change à chaque pression de la touche :
  - Mono Left (Mono G)
  - Mono Right (Mono D)
  - Mix-Mono (Mono mixte)
  - Stéréo

## Lecture d'une piste spécifique

### Pour lire une piste particulière :

- Après le chargement d'un CD dans le lecteur, et une fois que le lecteur a terminé de lire le disque, appuyer sur les touches numériques pour saisir le numéro de la piste, et ensuite sur **PLAY/ENTER** (Lecture/Entrée) pour lire la piste.

#### Conseil

Si le numéro de la piste est inférieur à 10, appuyer sur les touches de **1 à 9** pour la sélectionner. Si le numéro de la piste est égal à 10, appuyer une fois sur **10+**, puis sur **0** pour la sélectionner. Si le numéro de la piste est supérieur à 10, appuyer une fois sur **10+**, puis sur une touche entre **1 et 9**.

## Lecture d'un disque de fichiers JPEG

### Pour lire un disque JPEG :

- 1 Appuyer sur **POWER** (Marche/Arrêt) pour mettre l'appareil sous tension.
- 2 Appuyer sur **TV/DVD** pour sélectionner DVD.
- 3 Appuyer sur **OPEN/CLOSE** (Ouvrir/fermer) pour ouvrir le plateau à disque.
- 4 Placer le disque sur le plateau et appuyer sur **OPEN/CLOSE** pour refermer le plateau. Le menu de navigation du disque s'ouvre.

- 5 Appuyer sur **▲ ▼** pour sélectionner le fichier souhaité, puis sur **PLAY/ENTER** (Lecture/Entrée) pour confirmer. Le diaporama commence.
- 6 Pendant la lecture :
  - Appuyer sur **PAUSE/STEP** de la télécommande pour arrêter l'image et sur **PLAY/ENTER** pour reprendre la lecture normale.
  - Appuyer sur **PREV** pour passer à l'image précédente et sur **NEXT** pour passer à l'image suivante. Appuyer plusieurs fois pour continuer de revenir en arrière ou d'avancer.
  - Pour arrêter complètement la lecture, appuyer deux fois sur **STOP** (Arrêt)
- 7 Appuyer sur **OPEN/CLOSE** pour retirer le disque.

## Configuration personnalisée du téléviseur

### Ouverture et navigation parmi les menus d'écran

### Utilisation du menu à l'écran

L'appareil est doté d'un menu d'écran qui permet de régler les paramètres du téléviseur, tels que l'image vidéo et le son.

#### Pour utiliser le menu d'écran :

- 1 Appuyer sur **MENU** du téléviseur ou de la télécommande, puis sur **VOL+/VOL-** pour afficher le menu souhaité.
- 2 Appuyer sur **CH+/CH-** pour accéder au menu et pour mettre en surbrillance l'option retenue, puis sur **VOL+/VOL-** pour modifier le réglage.
- 3 Si un sous-menu est disponible, appuyer sur **VOL+** pour accéder au sous-menu, puis sur **VOL+/VOL-** pour modifier le réglage.
- 4 Appuyer sur **MENU** ou sur **EXIT** (Quitter) pour fermer le menu d'écran.

## Menus d'écran

Menu d'écran	Options
<b>TUNING (Syntonisation)</b>	<p><b>CHANNEL</b> (Canal) – Le canal en cours sélectionné. Appuyer sur <b>VOL+/VOL-</b> pour modifier le réglage.</p> <p><b>CHANNEL LABELS</b> (Étiquettes de canaux) – Permet d'ajouter une étiquette à un canal.</p> <p><b>CHANNEL LOCK</b> (Verrouillage canal) – Permet de verrouiller un canal.</p> <p><b>SKIP</b> (Saut) - Réglé sur <b>ON</b> (activé) impose au canal en cours (se reporter à <b>CANAL</b> ci-dessus) d'être sauté sur la liste des canaux. Il est possible de sélectionner un canal sauté en introduisant le numéro du canal au moyen des touches numériques.</p> <p><b>AFC</b> – Contrôle automatique des fréquences. Sélectionner <b>ON</b> (Activé) pour améliorer automatiquement la qualité de l'image.</p> <p><b>FINE TUNE</b> (Réglage fin) – Est utilisé pour régler manuellement la syntonisation et améliorer la qualité de l'image et du son. Ne doit pas être utilisé si la réception est de bonne qualité.</p> <p><b>ANTENNA</b> (Antenne) – Sélectionne la source d'antenne TV (<b>Air</b> [Réception hertzienne] ou <b>CATV</b> [Câble]).</p> <p><b>AUTO PROGRAM</b> (Programmation automatique) – Configure automatiquement une liste des canaux disponibles dans la zone de réception pour le type d'antenne sélectionné. Pour toute information complémentaire, voir « Programming channels into memory » à la page 31.</p>
<b>IMAGE</b> (Les options varient en fonction des différents modes).	<p><b>CONTRAST</b> (Contraste) – Augmente le niveau des zones blanches de l'image. Diminue le niveau de l'image pour régler les zones sombres de l'image. (0 - 100)</p> <p><b>BRIGHTNESS</b> (Luminosité) – Augmente la luminosité pour ajouter plus de lumière aux zones sombres de l'image. Diminue la luminosité pour assombrir les zones claires de l'image. (0 - 100)</p> <p><b>SHARPNESS</b> (Netteté) – Augmente la netteté pour afficher une image plus nette et plus claire. Diminue la netteté pour afficher une image plus fluide. (0-4)</p> <p><b>COLOR TEMP</b> (Température de couleur) – Permet de régler la richesse de l'image. (<b>NEUTRAL</b> [NEUTRE], <b>WARM</b> [CHAUDE], <b>COOL</b> [FROIDE])</p> <p><b>COLOR</b> (Couleur) – Permet de régler la saturation colorimétrique de l'image.</p> <p><b>POSITION H</b> – Permet de régler la position horizontale de l'image. En mode composantes seulement.</p> <p><b>POSITION V</b> – Permet de régler la position verticale de l'image. En mode composantes seulement.</p> <p><b>NOISE REDUCTION</b> (Réduction du bruit) – Permet de régler la qualité de l'image (<b>OFF</b>, <b>LOW</b> (Désactivée, faible), <b>MID</b> ou <b>HIGH</b> (Moyen, élevé)). En mode TV/AV/S-VIDEO/DVD seulement.</p> <p><b>HUE</b> (Teinte) – Permet de régler la tonalité de l'image en modes TV/AV/S-VIDEO/DVD avec le système NTSC seulement.</p>

Menu d'écran	Options
<b>SOUND (Son)</b>	<p><b>VOLUME</b> – Permet de régler le volume du téléviseur.</p> <p><b>BALANCE</b> – Règle l'équilibre du volume entre les haut-parleurs droit et gauche.</p> <p><b>BASS</b> (Graves) – Règle les graves (notes basses). Disponible en mode Personnalisé uniquement</p> <p><b>TREBLE</b> (Aigus) – Règle les aigus (notes élevées). Disponible en mode Personnalisé seulement.</p> <p><b>AUDIO MODE</b> – Sélectionne le mode d'égalisation du son du téléviseur (<b>PERSONAL</b>, <b>VOICE</b>, <b>MUSIC</b> ou <b>THEATRE</b> [Personnalisé, Voix, Musique ou Théâtre]).</p> <p><b>AVL</b> – Contrôle automatique de limite du volume. Réduit les effets des volumes élevés en limitant les crêtes de volume sur tous les canaux.</p>
<b>FONCTION</b>	<p><b>INPUT SOURCE</b> (Source d'entrée) – Affiche la source du signal actuellement sélectionné (TV, AV, S-VIDEO, PC, COMPONENT ou DVD).</p> <p><b>LANGUAGE</b> (Langue) – Sélectionne la langue du menu s'affichant à l'écran (OSD).</p> <p><b>CCD MODE</b> – Permet de sélectionner le mode Sous-titres codés. Les options comprennent :</p> <ul style="list-style-type: none"> <li>• <b>OFF</b> – Pour désactiver les sous-titres codés.</li> <li>• <b>ON WHEN MUTE</b> (Sous-titres codés en mode sourdine) – Affiche les sous-titres codés quand le son est en sourdine.</li> <li>• <b>OFF</b> – Pour désactiver les sous-titres codés.</li> </ul> <p><b>CC CAPTION</b> – Sélectionne le type de sous-titres codés à l'affichage.</p> <ul style="list-style-type: none"> <li>• <b>CC1</b> – Active les sous-titres codés dans la langue principale de la zone géographique d'utilisation</li> <li>• <b>CC2-CC4</b> – Active les autres modes d'informations vidéo émises dans une deuxième langue.</li> <li>• <b>TT1</b> – Active le guide des programmes fourni par les télédiffuseurs.</li> <li>• <b>TT2-TT4</b> – Active d'autres types d'informations fournies par les télédiffuseurs.</li> </ul> <p><b>PARENTAL</b> (Contrôle parental) – Permet d'accéder aux paramètres de la puce antiviolence. Pour toute information complémentaire, voir « Setting parental controls » à la page 32.</p> <p><b>BLUE SCREEN</b> – Active l'option de l'écran bleu en cas d'absence de signal au-delà de trois secondes.</p> <p><b>ASPECT RATIO</b> – Permet de sélectionner le format d'image. Les choix sont les suivants :</p> <ul style="list-style-type: none"> <li>• <b>FULL SCREEN</b> (Plein écran)</li> <li>• <b>ZOOM</b></li> </ul> <p><b>RESET</b> (Réinitialisation) – Permet de revenir aux paramètres usine par défaut.</p>

Menu d'écran	Options
RÉGLAGE (disponible uniquement en mode PC).	<p><b>AUTO CONFIG</b> (Configuration automatique) – Permet de régler automatiquement les paramètres de phase et de fréquence de l'image pour une utilisation avec un PC.</p> <p><b>PHASE</b> – Permet de régler la phase de l'image d'un PC afin d'éliminer les distorsions horizontales et d'affiner les caractères.</p> <p><b>CLOCK</b> (Horloge) – Permet de régler l'écran TFT-ACL pour correspondre à la fréquence de l'horloge de la source d'entrée du PC.</p> <p><b>H POSITION</b> – Permet de régler la position horizontale de l'image.</p> <p><b>V POSITION</b> – Permet de régler la position verticale de l'image.</p>

- Appuyer sur ▲ ▼ pour mettre en surbrillance une sélection ou un sous-menu, puis sur ► pour afficher les options disponibles.
- Appuyer sur ▲ ▼ pour sélectionner le paramétrage/l'option souhaitée, puis sur **PLAY/ENTER** (Lecture/Entrée) pour confirmer.
- Pour quitter le menu de configuration, appuyer sur **SETUP**.

## Modifications des paramètres du DVD

## Personnalisation de la configuration du lecteur de DVD

### Utilisation du menu de configuration

Utiliser la télécommande pour naviguer dans le menu de configuration (setup menu), à partir duquel il est possible de configurer les paramètres du lecteur de DVD.

**Pour ouvrir le menu de configuration (Setup) et naviguer au sein de celui-ci :**

- Appuyer sur **SETUP** (Configuration) de la télécommande. La page de configuration générale (*General Setup Page*) s'affiche.

..General Setup Page..	
Tv Display	4:3 LB 4:3/Ps
Angle Mark	On 4:3/Lb
Osd Lang	ENG 16:9
Caption	On
Screen Saver	Off
Hdcd	Off
Last Memory	On

- Si aucun disque n'est en lecture, appuyer de nouveau sur **SETUP**. La page des Préférences (*Preference Page*) s'affiche à l'écran.

..Preference Page..	
Parental	1 Kid Saf
Password	2 G
Default	3 Pg
	4 Pg 13
	5 Pgr
	6 R
	7 Nc17
	8 Adult

Menu d'écran	Options
<b>GENERAL SETUP</b> (Configuration générale)	<p><b>TV DISPLAY</b> (Affichage TV) – Permet de régler le format d'écran du téléviseur.</p> <ul style="list-style-type: none"> <li><b>4:3/PS</b> (Pan and Scan ou plein écran - peut être utilisé avec un téléviseur externe). Les images grand écran s'affichent sur le téléviseur mais avec certaines parties automatiquement coupées sur les extrémités.</li> <li><b>4:3/LB</b> (Letter Box ou boîtes aux lettres - utilisation avec un téléviseur interne). Les images grand écran s'affichent sur le téléviseur avec des barres noires en partie supérieure et inférieure de l'écran.</li> <li><b>16:9</b> (peut être utilisé avec un téléviseur externe). Les images grand écran remplissent complètement l'écran.</li> </ul> <p><b>ANGLE MARK</b> (Repère d'angle) – Permet d'activer ou de désactiver l'option de repère d'angle. Si cette option est définie sur Activée, il est possible d'utiliser <b>ANGLE</b> sur la télécommande pour sélectionner un autre angle de vue sur le DVD.</p> <p><b>OSD Lang</b> (Langue de l'OSD) – Permet de sélectionner la langue de l'affichage des menus d'écrans.</p> <p><b>CAPTION</b> (Sous-titres codés) – Permet d'activer ou de désactiver les sous-titres codés.</p> <p><b>SCREEN SAVER</b> (Économiseur d'écran) – Permet d'activer l'économiseur d'écran qui s'affiche lorsque le lecteur de DVD est inactif pendant plus de trois minutes.</p> <p><b>Hdcd</b> – Permet de définir Hdcd sur Arrêt (OFF), 1X, 2X pour commuter le mode de lecture du CD entre CD Normal, HDCD avec 44,1 K, HDCD avec 88,2 K. Il est possible de lire normalement des CD lorsque HDCD est défini sur arrêt. Il est possible de lire des CD à 44,1 K lorsque HDCD est défini sur 1X et à 88,2 K lorsque HDCD est défini sur 2X pour améliorer la qualité de l'audio.</p> <p><b>Last Memory</b> (Dernière mémorisation) – Permet d'activer ou de désactiver l'option de dernière mémorisation. Lorsqu'elle est activée (On), le lecteur de DVD garde en mémoire le chapitre en cours de visualisation au moment de la mise hors tension et reprend la lecture au même endroit lorsqu'il est remis sous tension.</p>

Menu d'écran	Options
<b>PREFERENCE (Préférences)</b> (disponible seulement si aucun disque ne se trouve dans le lecteur)	<p><b>PARENTAL</b> – Permet de régler des contrôles parentaux lors de la lecture de DVD. Le mot de passe d'origine est <b>1234</b>. Les options comprennent :</p> <ul style="list-style-type: none"> <li>• <b>Off (Désactivé)</b></li> <li>• <b>1 - Kid Safe (Pour enfants)</b></li> <li>• <b>2 G</b></li> <li>• <b>3 Pg</b></li> <li>• <b>4 Pg13</b></li> <li>• <b>5 Pgr</b></li> <li>• <b>6 R</b></li> <li>• <b>7 Nc17</b></li> <li>• <b>8 Adult (Adultes)</b></li> </ul> <p><b>PASSWORD CHANGE</b> (Modification du mot de passe) – Permet de changer le mot de passe utilisé pour définir ou modifier les contrôles parentaux. Le mot de passe d'origine est <b>1234</b>. Utiliser les touches numériques pour saisir le nouveau mot de passe et le confirmer.</p> <p><b>Remarque</b> : En cas d'oubli du mot de passe, saisir <b>1369</b>.</p> <p><b>DEFAULT</b> – Permet de réinitialiser tous les réglages (à l'exception des contrôles parentaux et du mot de passe) sur les valeurs par défaut. Appuyer sur <b>ENTER</b> (Entrée) pour confirmer.</p>

Problème	Solution
Son SAP ou stéréo défectueux.	Une distance élevée par rapport à la station de diffusion ou des interférences radio peuvent générer une mauvaise réception sonore. Si c'est le cas, passer en mode Mono.
La télécommande ne marche pas.	Pointer la télécommande en direction du capteur infrarouge du téléviseur. Changer les piles de la télécommande. Éliminer les obstacles entre le capteur infrarouge du téléviseur et la télécommande.
L'image n'est pas nette.	Régler la réduction du bruit (NOISE REDUCTION).
L'image n'est pas centrée.	Régler la position horizontale ou verticale.
Mauvaise qualité du son	Vérifier que le mode de sortie audio est réglé correctement. Vérifier que la connexion audio entre l'appareil et l'amplificateur (le cas échéant) est bonne.
Impossible de lire le disque	Vérifier que le disque est inséré avec l'étiquette tournée vers l'avant. Nettoyer le disque. De l'humidité s'est condensée dans le lecteur. Retirer le disque et laisser le lecteur sous tension pendant environ une heure.
Le lecteur ne fonctionne pas normalement	Débrancher le cordon d'alimentation pendant 10 secondes, puis le rebrancher. Si le problème persiste, contacter Insignia ou le revendeur pour toute assistance.

## Problèmes et solutions

Effectuer les vérifications suivantes avant de contacter le service de réparation :

Problème	Solution
Absence d'image et de son.	Vérifier les connexions de tous les câbles. Vérifier que le téléviseur est branché et sous tension. Vérifier que la prise secteur CA est alimentée.
L'image est correcte, mais pas de son.	Vérifier les réglages du volume sonore et de la sourdine. Basculer sur un autre canal pour déterminer si la station de diffusion est à l'origine du problème.
Absence d'image.	Vérifier que le téléviseur fonctionne correctement. Appuyer sur <b>INPUT</b> (Entrée) pour sélectionner entrée TV. Vérifier si le standard couleur est réglé correctement.
Le son est correct, mais pas de couleur.	Vérifier et ajuster le réglage de la couleur. Vérifier les caractéristiques de couleur de l'émission : il est possible que ce soit un film en noir et blanc.
Il y a plusieurs images superposées à l'écran.	Vérifier que l'antenne est installée correctement. Sinon, orienter l'antenne vers la station de télévision.
L'image est « neigeuse ».	Vérifier l'antenne et sa connexion. S'il y a des problèmes, y remédier. Si toutes les connexions sont bonnes, il est possible que l'antenne ou le câble soit défectueux. Vérifier si la circulation automobile ou des enseignes au néon perturbent l'image.
Bandes traversant l'image.	Veiller à éliminer toute interférence d'autres appareils électroniques, tels que postes de radio et téléviseurs, et éloigner du téléviseur tous les dispositifs magnétiques ou électroniques.

## Entretien

### Manipulation et nettoyage de l'appareil

#### Expédition de l'appareil

Conserver la boîte et le matériel d'emballage d'origine. Si l'appareil doit être expédié, pour une protection maximale, l'emballer dans son emballage d'origine.

#### Conservation des surfaces extérieures propres

- Ne pas utiliser de liquide volatil, tels qu'un insecticide en pulvérisation, à proximité de l'appareil.
- Ne pas laisser des produits en caoutchouc ou en plastique en contact avec l'appareil pendant des périodes prolongées, car cela pourrait laisser des marques sur la surface.

#### Nettoyage du boîtier

- Pour nettoyer l'appareil, utiliser un chiffon doux, sec. Si les surfaces sont extrêmement sales, utiliser un chiffon doux légèrement humecté d'une solution détergente douce.
- Ne pas utiliser des solvants puissants comme l'alcool, le benzène ou les diluants, étant donné que ceux-ci peuvent endommager la surface de l'appareil.

#### Entretien de l'appareil

Cet appareil est un dispositif de précision de haute technologie. Si la lentille de lecture optique et les pièces du lecteur de disque sont sales ou usées, la qualité de l'image sera médiocre.

Suivant les conditions de fonctionnement, une inspection régulière et un entretien sont recommandés toutes les 1 000 heures d'utilisation

Pour plus de détails, contacter le centre de réparation agréé le plus proche.

## Soins et manipulation des disques

### Manipulation des disques

Ne pas toucher le côté lecture du disque. Saisir le disque par les bords afin de ne pas maculer la surface du disque d'empreintes digitales. Ne jamais coller du papier ou du ruban sur le disque.

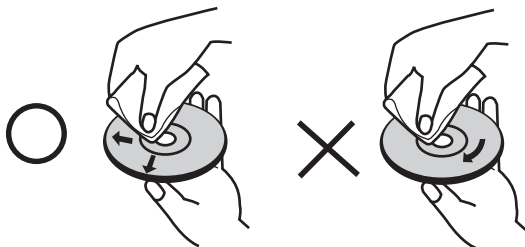


### Rangement des disques

Après lecture, ranger le disque dans son boîtier. Ne pas exposer le disque à la lumière directe du soleil ou d'autres sources de chaleur et ne jamais le laisser dans une voiture garée en plein soleil.

### Nettoyage des disques

Des empreintes digitales et de la poussière sur un disque sont sources d'image médiocre et de son déformé. Nettoyer le disque avec un chiffon propre avant de l'utiliser. Essuyer le disque en partant du centre vers l'extérieur.



Ne pas utiliser des solvants puissants comme l'alcool, le benzène, les diluants, les nettoyants disponibles dans le commerce ou les vaporisateurs antistatiques destinés aux anciens disques en vinyle.

#### Remarque

Ne jamais utiliser cet appareil immédiatement après l'avoir transféré d'un lieu froid à un lieu tiède. Ne pas le faire fonctionner pendant deux ou trois heures. L'utilisation immédiate de l'appareil risque d'endommager les cassettes, les disques ou les composants internes.

## Spécifications

Modèle	NS-CL15C
Standard d'images et système sonore	NTSC
Sortie audio	1,5 W + 1,5 W
Entrée externe	AV, PC, S-Vidéo, PC audio, YPbPr, Antenne
Alimentation requise	~ 120 V 60 Hz

Consommation électrique	60 W
Température	Fonctionnement : 41 à 95 °F (+ 5 à + 35 °C) Entreposage : 5 à 113 °F (- 15 à + 45 °C)
Accessoires	Télécommande Piles (deux - AA) Guide de l'utilisateur

## Disques compatibles

Seuls les disques indiqués ci-après peuvent être lus par le lecteur de DVD.

Disques	Logo	Table des matières	Dimensions
DVD		Audio + Vidéo (film)	12 cm
CD		Audio	12 cm
HDCD (CD audio haute définition)		Audio	12 cm
MPEG-4		Audio + Vidéo (film)	12 cm
JPEG		Vidéo (image)	12 cm
CD Kodak		Vidéo (Image)	12 cm
CD-R	<b>CD•R</b>	Audio ou vidéo (film)	12 cm
CD-RW	<b>CD-RW</b>	Audio ou vidéo (film)	12 cm
CD+G	<b>CD+G</b>	Audio (image)	12 cm

## Avis légaux

### Déclaration de Macrovision

Ce produit incorpore une technologie de protection de droits d'auteurs protégée par des revendications de procédé de certains brevets américains et d'autres droits de propriété intellectuelle de Macrovision Corporation et d'autres propriétaires de droits. L'utilisation de cette technologie de protection des droits d'auteur doit être autorisée par la société Macrovision et doit se limiter à des fins de divertissement privé à moins d'une autorisation préalable et explicite de Macrovision Corporation. La rétro-ingénierie ou le démontage sont interdits.

### Droits d'auteurs

© 2007 Insignia. Insignia et le logo Insignia sont des marques de commerce de Best Buy Enterprise Services, Inc. Les autres noms de marques et de produits mentionnés sont des marques de commerce ou des marques déposées de leurs propriétaires respectifs. Les spécifications et caractéristiques sont susceptibles d'être modifiées sans préavis. Pour l'assistance technique, appeler le (877) 467-4289.



## Garantie limitée d'un an

Insignia Products ("Insignia") garantit au premier acheteur de ce **NS-CL15C** neuf ("Produit"), qu'il est exempt de vices de fabrication et de main-d'œuvre à l'origine, pour une période d'un (1) an à partir de la date d'achat du Produit ("Période de garantie"). Ce produit doit avoir été acheté chez un revendeur agréé des produits de la marque Insignia et emballé avec cette déclaration de garantie. Cette garantie ne couvre pas les Produits remis à neuf. Les conditions de la présente garantie s'appliquent à tout Produit pour lequel Insignia est notifié, pendant la Période de garantie, d'un vice couvert par cette garantie qui nécessite une réparation.

### QUELLE EST LA DURÉE DE LA COUVERTURE ?

La Période de garantie dure 1 an (365 jours) à compter de la date d'achat de ce Produit. La date d'achat est imprimée sur le reçu fourni avec le Produit.

### QUE COUVRE CETTE GARANTIE ?

Pendant la Période de garantie, si un vice de matériau ou de main-d'œuvre d'origine est détecté sur le Produit par un service de réparation agréé par Insignia ou le personnel du magasin, Insignia (à sa seule discrétion) : (1) réparera le Produit en utilisant des pièces détachées neuves ou remises à neuf ; ou (2) remplacera le Produit par un produit ou des pièces neuves ou remises à neuf de qualité comparable. Les produits et pièces remplacés au titre de cette garantie deviennent la propriété d'Insignia et ne sont pas retournés à l'acheteur. Si les Produits ou pièces nécessitent une réparation après l'expiration de la Période de garantie, l'acheteur devra payer tous les frais de main-d'œuvre et les pièces. Cette garantie reste en vigueur tant que l'acheteur reste propriétaire du Produit Insignia pendant la Période de garantie. La garantie prend fin si le Produit est revendu ou transféré d'une quelconque façon que ce soit à tout autre propriétaire.

### COMMENT OBTENIR UNE RÉPARATION SOUS GARANTIE ?

Si le Produit a été acheté chez un détaillant, le rapporter accompagné du reçu original chez ce détaillant. S'assurer de remettre le Produit dans son emballage d'origine ou dans un emballage qui procure la même qualité de protection que celui d'origine. Si le Produit a été acheté en ligne, l'expédier accompagné du reçu original à l'adresse indiquée sur le site Web. S'assurer de remettre le Produit dans son emballage d'origine ou dans un emballage qui procure la même qualité de protection que celui d'origine.

Pour obtenir le service de la garantie à domicile pour un téléviseur avec écran de 25 po ou plus, appeler le 1-888-BESTBUY. L'assistance technique établira un diagnostic et corrigera le problème au téléphone ou enverra un technicien agréé par Insignia pour la réparation à domicile.

### OÙ CETTE GARANTIE S'APPLIQUE-T-ELLE ?

Cette garantie ne s'applique qu'à l'acheteur original du Produit aux États-Unis et au Canada.

### CE QUI N'EST PAS COUVERT PAR CETTE GARANTIE LIMITÉE

La présente garantie ne couvre pas :

- la formation du client ;
- l'installation ;
- les réglages de configuration ;
- les dommages esthétiques ;
- les dommages résultants de catastrophes naturelles telles que la foudre ;
- les accidents ;
- une utilisation inadaptée ;
- une manipulation abusive ;
- la négligence ;
- une utilisation commerciale ;
- la modification de tout ou partie du Produit, y compris l'antenne ;
- Un écran plasma endommagé par les images fixes (sans mouvement) qui restent affichées pendant de longues périodes (rémanentes).

La présente garantie ne couvre pas non plus :

- les dommages ayant pour origine une utilisation ou une maintenance défectueuse ;

- la connexion à une source électrique dont la tension est inadéquate ;
- Toute réparation effectuée par quiconque autre qu'un service de réparation agréé par Insignia pour la réparation du Produit
- les Produits vendus en l'état ou hors service ;
- les consommables tels que les fusibles ou les piles ;
- les produits dont le numéro de série usine a été altéré ou enlevé du Produit.

LA RÉPARATION OU LE REMPLACEMENT, TELS QU'OFFERTS PAR LA PRÉSENTE GARANTIE, CONSTITUENT LE SEUL RECOURS DE L'ACHÉTEUR. INSIGNIA NE SAURAIT ÊTRE TENU POUR RESPONSABLE DE DOMMAGES ACCESSOIRES OU CONSÉCUTIFS, RÉSULTANT DE L'INEXÉCUTION D'UNE GARANTIE EXPRESSE OU IMPLICITE SUR CE PRODUIT, Y COMPRIS, SANS S'Y LIMITER, LA PERTE DE DONNÉES, L'IMPOSSIBILITÉ D'UTILISER LE PRODUIT, L'INTERRUPTION D'ACTIVITÉ OU LA PERTE DE PROFITS. INSIGNIA PRODUCTS N'OCTROIE AUCUNE AUTRE GARANTIE EXPRESSE RELATIVE À CE PRODUIT ; TOUTES LES GARANTIES EXPRESSES OU IMPLICITES POUR CE PRODUIT, Y COMPRIS MAIS SANS LIMITATION, TOUTE GARANTIE DE QUALITÉ MARCHANDE, D'ADÉQUATION À UN BUT PARTICULIER, SONT LIMITÉES À LA PÉRIODE DE GARANTIE APPLICABLE TELLE QUE DÉCRITE CI-DESSUS ET AUCUNE GARANTIE EXPRESSE OU IMPLICITE, NE S'APPLIQUERONT APRÈS LA PÉRIODE DE GARANTIE. CERTAINS ÉTATS ET PROVINCES NE RECONNAÎSSENT PAS LES LIMITATIONS DE LA DURÉE DE VALIDITÉ DES GARANTIES IMPLICITES. PAR CONSÉQUENT, LES LIMITATIONS SÛSMENTIONNÉES PEUVENT NE PAS S'APPLIQUER À L'ACHÉTEUR ORIGINAL. LA PRÉSENTE GARANTIE DONNE À L'ACHÉTEUR DES GARANTIES JURIDIQUES SPÉCIFIQUES ; IL PEUT AUSSI BÉNÉFICIER D'AUTRES GARANTIES QUI VARIENT D'UN ÉTAT OU D'UNE PROVINCE À L'AUTRE.

Pour contacter Insignia :

Pour le service à la clientèle, appeler le 1-877-467-4289  
[www.insignia-products.com](http://www.insignia-products.com)  
 INSIGNIAMC est une marque commerciale de Best Buy Enterprise Services, Inc.  
 Distribué par Best Buy Purchasing, LLC  
 Insignia, 7601 Penn Avenue South, Richfield, Minnesota, U.S.A.







**Distributed by Insignia™ Products**  
**Distribué par Insignia™ Products**

7601 Penn Avenue South,  
Richfield, MN USA 55423-3645  
[www.Insignia-Products.com](http://www.Insignia-Products.com)

©2007 Insignia™ Products

All rights reserved. All other products and brand names are trademarks of their respective owners.

©2007 produits Insignia™

Tous droits réservés. Tous les autres produits ou noms de marques sont des marques de commerce qui appartiennent à leurs propriétaires respectifs.

## Free Manuals Download Website

<http://myh66.com>

<http://usermanuals.us>

<http://www.somanuals.com>

<http://www.4manuals.cc>

<http://www.manual-lib.com>

<http://www.404manual.com>

<http://www.luxmanual.com>

<http://aubethermostatmanual.com>

Golf course search by state

<http://golfingnear.com>

Email search by domain

<http://emailbydomain.com>

Auto manuals search

<http://auto.somanuals.com>

TV manuals search

<http://tv.somanuals.com>